

DODGE[®]

2009

**QUANTIS GEAR
ENGINEERING
CATALOG**

**ILH
RHB
MSM**



BALDOR[®]

To receive a copy of the DODGE Bearing Engineering Catalog, DODGE Gearing Engineering Catalog or DODGE Power Transmission Components Engineering Catalog, contact your local authorized DODGE Distributor or www.baldor.com.

MEMBER OF . . .



AMERICAN GEAR MANUFACTURERS ASSOCIATION



MECHANICAL POWER TRANSMISSION ASSOCIATION

AFBMA

ANTI-FRICTION BEARING MANUFACTURERS ASSOCIATION



AMERICAN SUPPLY AND MACHINERY MANUFACTURERS ASSOCIATION, INC.



BEARING SPECIALISTS ASSOCIATION



POWER TRANSMISSION DISTRIBUTORS ASSOCIATION



CONVEYOR MANUFACTURERS ASSOCIATION



DODGE Products are
Manufactured in
ISO 9002 Certified Plants

Prices and data indicated in this document are for your convenience and were correct at time of printing with the exception of clerical and/or printing errors. Possession of this document by any person or company is not to be construed as an offer to sell to him or to anyone else the goods listed herein at the prices stated.

ALL DATA AND PRICES ARE SUBJECT TO CHANGE WITHOUT NOTICE and shall be subject to those prices in effect at time of shipments. All published and quoted prices are based upon the application of, and all sales are expressly subject to, the Company's Standard Terms and Conditions of Sales are available upon request. This document supersedes all previously published catalog/pricing documents.

WARNING

The information provided for Product Interchange in this catalog is for use only as a general reference by persons qualified to recognize unreasonable selection options. Products suggested as substitutes may have dimensional, rating, pricing and other differences from products to be replaced. This selection method must be used in conjunction with the applicable product catalog which contains important precautions and other pertinent information.

In illustrations throughout this catalog, safety guards have been removed for photographic purposes.

© 2009 Baldor Electric Company

WARNING: Because of the possible danger to person(s) or property from accidents which may result from the improper use of products, it is important that correct procedures be followed: Products must be used in accordance with the engineering information specified in the catalog. Proper installation, maintenance and operation procedures must be observed. The instructions in the instruction manuals must be followed. Inspections should be made as necessary to assure safe operation under prevailing conditions. Proper guards and other suitable safety devices or procedures as may be described or as may be specified in safety codes should be provided, and are neither provided by Baldor Electric nor are the responsibility of Baldor Electric. This unit and its associated equipment must be installed, adjusted and maintained by qualified personnel who are familiar with the construction and operation of all equipment in the system and the potential hazards involved. When risk to persons or property may be involved, a holding device must be an integral part of the driven equipment beyond the speed reducer output shaft.

QUANTIS

Features/Benefits - ILH, RHB, MSM	QUANTIS-3
Specifications/How To Order - ILH, RHB, MSM	
Selection Steps.....	QUANTIS-11
Service Factors By Application.....	QUANTIS-14
Lubricant Options.....	QUANTIS-17
Allowable Weight Of C-face Motors.....	QUANTIS-18
Backstops.....	QUANTIS-20
Incline Mounting.....	QUANTIS-23
Features/Benefits - QUANTIS Gold.....	QG-3
How to Order/Nomenclature - QUANTIS Gold.....	QG-5
Selection	
ILH - QUANTIS Gold.....	QG-6
RHB Solid Output Shaft - QUANTIS Gold.....	QG-16
RHB Twin Tapered Bushed - QUANTIS Gold.....	QG-20
Dimension	
ILH - QUANTIS Gold.....	QG-14
RHB Solid Output Shaft - QUANTIS Gold.....	QG-18
RHB Twin Tapered Bushed - QUANTIS Gold.....	QG-22
Tie Rod Kit - QUANTIS Gold.....	QG-26
Motor Information - QUANTIS Gold.....	QG-27
Mounting Options - ILH.....	ILH-2
Nomenclature - ILH.....	ILH4
Mounting Positions - ILH.....	ILH-7
Overhung Loads - ILH.....	ILH-11
Selection Reducer - ILH.....	ILH-12
Stock/Non-Stock Part Numbers - ILH.....	ILH-62
Selection Integral Gearmotors - ILH.....	ILH-74
Dimensions - ILH.....	ILH-114
Slide Base - ILH.....	ILH-334
Thermal Ratings - ILH.....	ILH-335
Weights - ILH.....	ILH-343
Mounting Options - RHB.....	RHB-3
Nomenclature - RHB.....	RHB-5
Mounting Positions - RHB.....	RHB-11
Overhung Loads - RHB.....	RHB-16
Selection Reducer - RHB.....	RHB-18
Stock/Non-Stock Part Numbers - RHB.....	RHB-50
Selection Integral Gearmotors - RHB.....	RHB-63
Dimensions - RHB.....	RHB-90
Selection/Dimension.....	RHB-350
Thermal Ratings - RHB.....	RHB-364
Weights - RHB.....	RHB-372

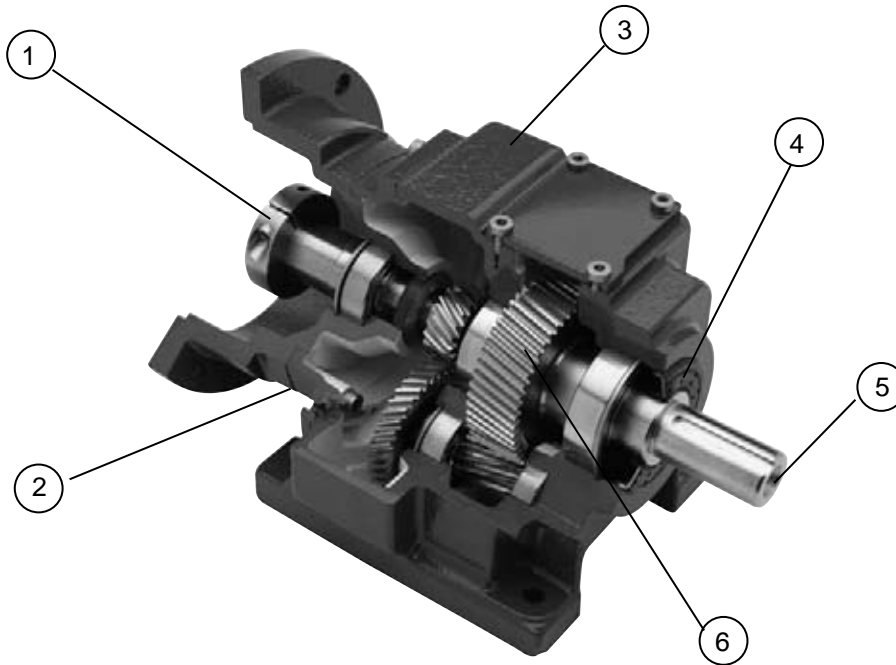
QUANTIS

Mounting Options - MSM	MSM-2
Nomenclature - MSM	MSM-4
Mounting Positions - MSM	MSM-10
Overhung Loads - MSM	MSM-14
Selection Reducer MSM	MSM-16
Stock/Non-Stock Part Numbers - MSM	MSM-57
Selection Integral Gearmotors - MSM	MSM-62
Dimensions - MSM	MSM-98
Selection Dimensions - MSM	MSM-228
Thermal Ratings - MSM	MSM-242
Weights - MSM	MSM-250
QUANTIS Assembly/Disassembly	ENG-1
Nema C-face Input Flange Details	ENG-2
IEC D-Flange Input Flange Details	ENG-3
Separate Flange/Shaft Details	ENG-5
Twin Tapered Bushing Installation	ENG-5
Straight Hollow Bore Installation	ENG-7
Shrink Disk Installation	ENG-10
RHB Torque Arm Bracket	ENG-12
RHB Tie Rod Kit	ENG-13
Quantis Integral Motor Data	ENG-14
Application Worksheet	ENG-22
Part Number Index	INDEX-1

FEATURES/BENEFITS



QUANTIS ILH C-Face Reducer / Integral Gearmotor



1. Multiple input options
 - C-Face adapters for mounting of NEMA and IEC motors
 - Integral Gearmotors
 - Separate Input
2. All gearboxes are factory filled with Mobilgear 600 XP 220
3. Reducer housings are constructed of class 30 gray iron with cast internal ribbing for added strength
4. Spring loaded double lip seals of nitrile rubber (NBR) material. All seals are rubber coated to eliminate seal-to-bore joint leakage.
5. High strength carbon steel shafts in inch or metric diameters
6. Gearing is of single helical design and ground to provide ellipsoid tooth which eliminates tooth wearing and assures meshing in the strongest tooth area
 - Gear material is alloy steel
 - Gears are case hardened and ground to AGMA class 11
 - 20 degree pressure angle to minimize noise
 - 98% efficient per stage of gearing

FEATURES/BENEFITS

QUANTIS

QUANTIS ILH

The QUANTIS In-Line Helical (ILH) product line offers a full line of modular gear drives engineered for flexibility, increased torque density in a compact housing configuration and increased horsepower capability. QUANTIS ILH is available in eight sizes, ILH38 - ILH168.

Ratings:

Ratio: 1.41:1 - 359:1
 Torque: 116 in-lbs - 123914 in lbs
 Input Power: 1/4 Hp - 75 Hp

Input Options:

Clamp Collar: Compact / space saving c-face adapter which allows the mounting of both NEMA and IEC motors
 NEMA motors: 56C - 360TC
 IEC motors: 71D - 200D

3 Piece Coupled

Allows for easy separation of the c-face motor and is excellent for applications requiring frequent stops / starts
 NEMA motors: 56C - 360TC
 IEC motors: 80D - 250D

Integral Gearmotor

1/4 HP - 10 Hp
 IP 55 enclosure
 CSA approved
 Class F Insulation
 Integral motors suitable for VFD's (variable frequency drives)
 6:1 constant torque
 High cycling brakemotor

Separate Inputs

Suitable for use with belt, chain drive or direct coupled motor connections
 Input shafts available with either inch or metric diameters

Output Options:

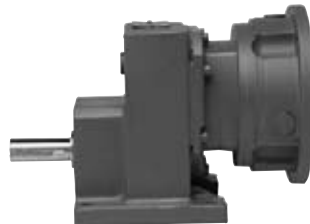
Solid Output Shaft Inch or metric diameters
 Flange B5 or B14 Flange

Housing Configurations:

Foot Mounted
 Flange Mounted



ILH - Clamp Collar Reducer



ILH - Clamp Collar Reducer, Single Reduction

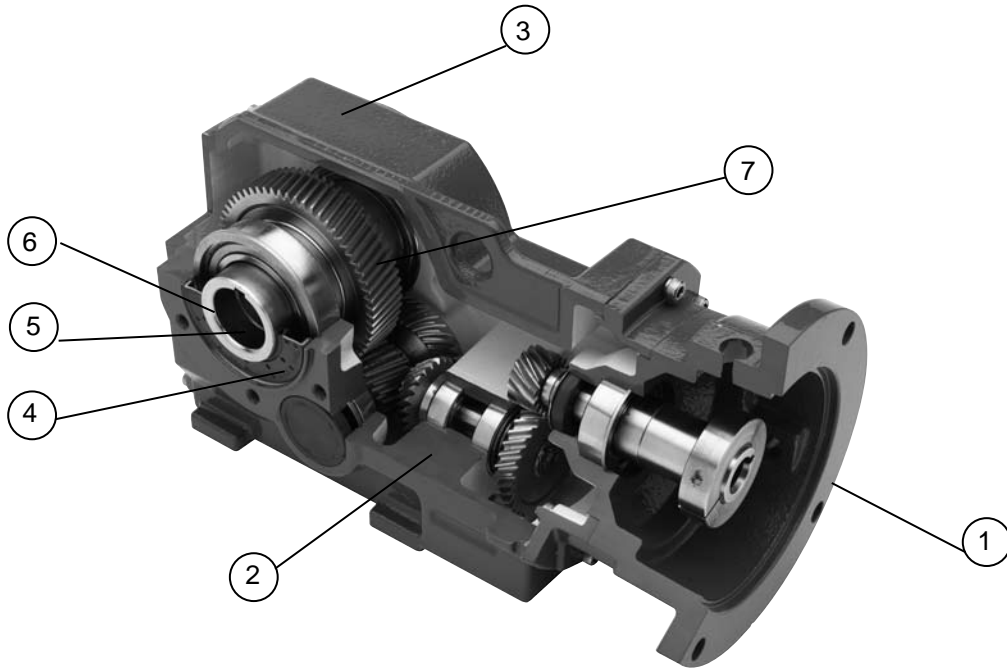
QUANTIS GOLD

ILH

RHB

MSM

QUANTIS RHB C-Face Reducer / Integral Gearmotor



1. Multiple input options
 - C-Face adapters for mounting of NEMA and IEC motors
 - Integral Gearmotors
 - Separate Input
2. All gearboxes are factory filled with Mobilgear 600 XP 220
3. Reducer housings are constructed of class 30 gray iron with cast internal ribbing for added strength
4. Spring loaded double lip seals of nitrile rubber (NBR) material. All seals are rubber coated to eliminate seal-to-bore joint leakage.
5. High strength carbon steel shafts in inch or metric diameters
6. Multiple output options
 - Single or double output shafts
 - Straight hollow bore
 - Tapered hollow bore
 - Shrink disk
7. Gearing is of single helical design and ground to provide ellipsoid tooth which eliminates tooth wearing and assures meshing in the strongest tooth area. RHB reducers also utilize spiral bevel gearing
 - Gear material is alloy steel
 - Helical gears are case hardened and ground to AGMA class 11. Bevel gears are hardened and lapped
 - 20 degree pressure angle to minimize noise
 - 94% efficient

FEATURES/BENEFITS

QUANTIS

QUANTIS RHB

The QUANTIS Right Angle Helical Bevel (RHB) product line features a helical-bevel-helical gear train that offers cost-effective, high and low speed solutions with efficiency ratings up to 94%. QUANTIS RHB is available in eight sizes, RHB38 - RHB168.

Ratings:

Ratio:	4.83:1 - 307:1
Torque:	411 in-lbs - 119489 in-lbs
Input Power:	1/4 Hp - 75 Hp

Input Options:

Clamp Collar:	Compact / space saving c-face adapter which allows the mounting of both NEMA and IEC motors NEMA motors: 56C - 360TC IEC motors: 71D - 200D
---------------	---

QUANTIS GOLD

3 Piece Coupled	Allows for easy separation of the c-face motor and is excellent for applications requiring frequent stops / starts NEMA motors: 56C - 360TC IEC motors: 80D - 250D
-----------------	--

ILH

Integral Gearmotor	1/4 HP - 10 Hp IP 55 enclosure CSA approved Class F Insulation Integral motors suitable for VFD's (variable frequency drives) 6:1 constant torque High cycling brakemotor
--------------------	---

RHB

Separate Inputs	Suitable for use with belt, chain drive or direct coupled motor connections Input shafts available with either inch or metric diameters
-----------------	--

Output Options:

Single & Double Output Shaft	Inch or metric diameters
Straight Hollow Bore	Inch or metric diameters
Twin Tapered Bushing	Inch or metric diameters, standard or short shaft bushings
Shrink Disk	Metric diameters
Flange	B5 or B14 Flange
CEMA Screw Conveyor	Standard or XT harsh duty adapters, CEMA 3 hole drive shafts

MSM

Housing Configurations:

Foot Mounted
Flange Mounted



RHB - B14 Flange Mounted, Clamp Collar, Tapered Bushed Reducer

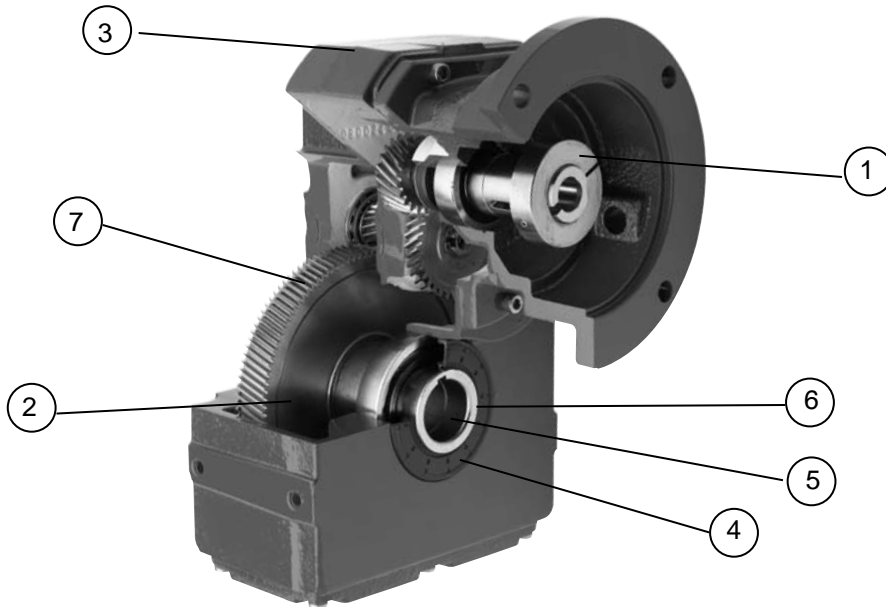


RHB - B5 Flange Mounted Reducer

FEATURES/BENEFITS



QUANTIS MSM C-Face Reducer / Integral Gearmotor



1. Multiple input options
 - C-Face adapters for mounting of NEMA and IEC motors
 - Integral Gearmotors
 - Separate Input
2. All gearboxes are factory filled with Mobilgear 600 XP 220
3. Reducer housings are constructed of class 30 gray iron with cast internal ribbing for added strength
4. Spring loaded double lip seals of nitrile rubber (NBR) material. All seals are rubber coated to eliminate seal-to-bore joint leakage.
5. High strength carbon steel shafts in inch or metric diameters
6. Multiple output options
 - Solid shaft
 - Straight hollow bore
 - Tapered hollow bore
 - Shrink disk
7. Gearing is of single helical design and ground to provide ellipsoid tooth which eliminates tooth wearing and assures meshing in the strongest tooth area.
 - Gear material is alloy steel
 - Gears are case hardened and ground to AGMA class 11
 - 20 degree pressure angle to minimize noise
 - 98% efficient per stage of gearing

FEATURES/BENEFITS

QUANTIS

QUANTIS MSM

The QUANTIS Motorized Shaft Mount (MSM) product line features a universal housing style for versatile mounting capability. QUANTIS MSM is available in eight sizes, MSM38 - MSM168.

Ratings:

Ratio:	6.65:1 - 350:1
Torque:	712 in-lbs - 118603 in-lbs
Input Power:	1/4 Hp - 75 Hp

QUANTIS GOLD

Input Options:

Clamp Collar:	Compact / space saving c-face adapter which allows the mounting of both NEMA and IEC motors NEMA motors: 56C - 360TC IEC motors: 71D - 200D
---------------	---

3 Piece Coupled	Allows for easy separation of the c-face motor and is excellent for applications requiring frequent stops / starts NEMA motors: 56C - 360TC IEC motors: 80D - 250D
-----------------	--

ILH

Integral Gearmotor	1/4 Hp - 10 Hp IP 55 enclosure CSA approved Class F Insulation Integral motors suitable for VFD's (variable frequency drives) 6:1 constant torque High cycling brakemotor
--------------------	---

Separate Inputs	Suitable for use with belt, chain drive or direct coupled motor connections Input shafts available with either inch or metric diameters
-----------------	--

RHB

Output Options:

Single Output Shaft	Inch or metric diameters
Straight Hollow Bore	Inch or metric diameters
Twin Tapered Bushing	Inch or metric diameters, standard or short shaft bushings
Shrink Disk	Metric diameters
Flange	B5 or B14 Flange
CEMA Screw Conveyor	Standard or XT harsh duty adapters, CEMA 3 hole drive shafts

Housing Configurations:

Universal Mounting

MSM



MSM - Clamp Collar Reducer

FEATURES/BENEFITS



QUANTIS Accessories

XT Harsh Duty Output Seal

- Multiple-lip design
- Rubber coated inner and outer ring
- Vertical flange on inner sleeve protects the lip from high pressure washdown
- Two dirt excluder lips which fling dirt away and provide a labyrinth
- Best protection for washdown and abrasive materials



Backstop

- Helps prevent the reverse rotation in high stop-start loads and results in less wear and longer life.
- It's centrifugal throw out design eliminates sprag sliding and reduces wear
- It operates with standard and EP lubricants and requires no external lubrication
- For use with 3 piece coupling and separate inputs



RHB Torque Arm Bracket

- RHB Torque Arm Bracket (K) includes bracket and fasteners for shaft mounted applications utilizing the "BF" style housing



RHB Tie Rod Kit

- RHB Tie Rod Kit (KR) includes mounting bracket, adjustable length torque arm and fulcrum with fasteners for shaft mounted applications utilizing the "BF" style housing



QUANTIS

QUANTIS GOLD

ILH

RHB

MSM

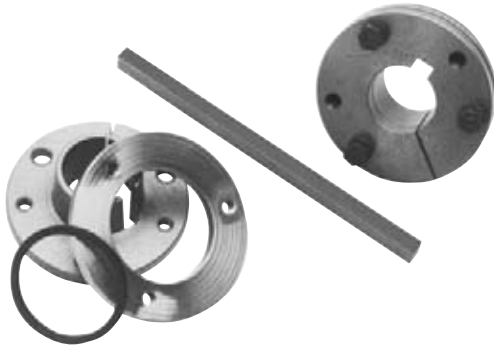
FEATURES/BENEFITS

QUANTIS

QUANTIS Accessories

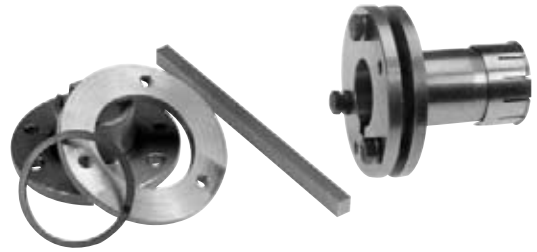
Standard Twin Tapered Bushing Kit

- An easy on, easy off, no wobble bushing system
- Features a fully split, ductile iron, 8-degree taper and reliable twin support
- Inch and metric bores



Short Shaft Twin Tapered Bushing Kit

- Eliminates the need for full length shafts
- Inch and metric bores



QUANTIS GOLD

ILH

ILH Adjustable Slide Base

- Positions the reducer, proving simplified installation and servicing of belt and chain drives



RHB

MSM

QUANTIS

The DODGE ILH speed reducer is suitable for c-face, separate, or integral gearmotor construction in either foot or output flange mountings, and available in single, double or triple ratios.

The DODGE RHB and MSM Speed Reducers are suitable for c-face, separate, or integral gearmotor construction in shaft-mount, foot, or output flange mountings, and available in double or triple ratios for MSM, and triple ratios for RHB.

Reducer housings are constructed of corrosion resistant, class 30 gray iron with cast internal ribbing for added strength. All housings are cast, while some covers are cast and others are steel. All housings are precision machined to assure accurate alignment for all gear sets.

ILH and MSM gearing is of single helical design and ground to provide an ellipsoid tooth form which eliminates tooth wearing and assures meshing in the strongest tooth area. RHB units also utilize spiral bevel gearing. The bevel gearing is cut and lapped. All gears are case carburized to insure a high

surface durability and resilient tooth core for greater impact resistance and longer service life.

The input pinion has a shank pinion design that is assembled by being pressed into place.

Reducer bearings can be the roller or ball type and provide a minimum 10,000 hour average life. All seals are of the spring loaded type, made of nitrile rubber. Optional Viton seals are available.

Reducer gears and bearings are splash lubricated using an ISO 220 lubricant which provides protection against rust. The standard mineral oil lubricant allows an operating temperature range of 10°F to 105°F (-12°C to 41°C) ambient. Higher or lower ambient temperature conditions are addressed with optional synthetic oil.

C-face reducers are of the coupling type or clamp collar design so as to eliminate or minimize fretting corrosion between the motor shaft and the reducer stub shaft

Efficiencies are based on running at the full catalog rating. MSM and ILH units are up to 98% efficient per stage. RHB units are up to 94% efficient.

HOW TO ORDER QUANTIS

ILH, MSM and RHB Reducers and Gearmotors have catalog numbers assigned that can be found on the selection pages. Refer to the catalog number when ordering. Always specify:

- Mounting position
- Specify flange mounting, if applicable
- Accessories/Modifications, if required
- Ratio
- Output Shaft Dimension
- Input speed
- Input power

SPECIFICATION HOW TO ORDER



QUANTIS

QUANTIS GOLD

ILH

RHB

MSM

QUANTIS

Step 1: For applications with one start/hour or less and constant load skip Step 2 and proceed to Step 3. For application with more than one start/hour proceed to Step 2. For pulsating (cyclic) loads contact Application Engineering.

Step 2: Determine mass acceleration factor.

$$\text{Mass Acceleration Factor} = \frac{\text{all exterior moments of inertia}}{\text{moment of inertia of drive motor}} \quad [lb - ft^2]$$

Where:

Drive Motor Inertia must be provided by the motor manufacturer. On QUANTIS gearmotors, driving inertia is available from your DODGE Sales Engineer or Application Engineering.

Exterior moments of Inertia are defined as the “load inertia” referred to the motor speed. The “load inertia” must be provided by the driven machine manufacturer. For assistance contact Application Engineering or see the following formulas.

$$\text{Exterior Moment of Inertia (Rotating)} = \text{Load Inertia} \times \left(\frac{\text{Load RPM}}{\text{Motor RPM}} \right)^2$$

Where: W - Weight (lbs)
V = Linear Velocity (Ft. / Min.)
N = Motor RPM

$$\text{Exterior moment of Inertia (Linear)} = W \times \left(\frac{V}{6.28N} \right)^2$$

Note: Gearbox inertia, not addressed above, are typically negligible. If required, inertia values for the QUANTIS unit may be obtained from your DODGE Sales Engineer or Application Engineering.

Step 3: With inertia ratio determined, use Chart 1 to select load classification.

Chart 1 Load Classification

Load Classification	(Driven Machine)
I Light shocks	Mass acceleration factor ≤ 0.3: Generators, belt conveyors, platform conveyors, auxiliary machine tool drives, turbo blowers, turbo compressors, agitator and mixers for light uniform density materials
II Moderate shocks	Mass acceleration factor ≤ 3: Main machine tool drives slewing gear, cranes, inducted draught fans, mixer and agitator for materials with variable density, multi cylinder piston pumps, metering pumps
III Heavy shocks	Mass acceleration factor ≤ 10: Punch presses, shears, Banbury mixers, rolling mill and foundry drives, bucket dredger, heavy centrifugal drives, heavy metering pumps, rotary drilling equipment, briquet presses, pug mills

SPECIFICATION HOW TO ORDER



QUANTIS

Step 4: Service Factor

The listed service factors in Chart 2, apply only when integral electric motors are used as prime motors and are for general industrial applications. It is recommended that the Application Worksheet on page Engineering-23 be completed and sent to Application Engineering when any of the following conditions are expected.

- Instantaneous loads exceed 200% of the reducer ratings
- Frequent or cyclical speed changes
- Heavy shock loads
- Reversing loads
- Temperature variations
- Prime movers other than electric motors
- Other questionable conditions

Daily Operation		8 Hours			16 Hours			24 Hours		
Starts/hour		< 10	10 - 200	> 200	< 10	10 - 200	> 200	< 10	10 - 200	> 200
Load Classification	I	1.0	1.1	1.2	1.1	1.2	1.3	1.3	1.4	1.5
	II	1.2	1.3	1.4	1.3	1.4	1.5	1.5	1.6	1.7
	III	1.4	1.5	1.6	1.5	1.6	1.7	1.7	1.8	2.0

Step 5: Reducer Selection

Using the service factor obtained in Step 4, calculate the equivalent HP by multiplying the motor HP to be transmitted by the service factor. The electric motor nameplate rating should be used for the motor HP.

$$\text{Equivalent HP} = \text{Motor HP} \times \text{Service Factor}$$

Step 6: Reducer selection: From rating tables in this catalog make reducer selection based on input RPM, ratio, and equivalent HP.

Gearmotor selection: From rating tables in this catalog make gearmotor selection based on output RPM, motor HP, and service factor. This will indicate gearcase size, motor frame size, output torque, and output OHL capacity.

Step 7: Check Thermal Rating

Compare the thermal input horsepower rating of the reducer selected to the motor horsepower. Thermal rating should always equal or exceed applied motor horsepower.

Step 8: Check overhung loads by using the following formula:

$$\text{OHL} = \frac{126,000 \times \text{HP} \times F_c}{\text{PD} \times \text{RPM}}$$

Where:

OHL =	Overhung load (lbs)	PD =	Pitch Diameter (inches)
HP =	Demand Horsepower	RPM =	Revolutions per Minute (output)
Fc =	Load Connection Factor		
	Chain Drive: Fc = 1.00		
	Spur or Helical Gear: Fc = 1.25		
	Synchronous Belt Drive: Fc = 1.30		
	V-Belt Drive: Fc = 1.50		
	Flat Belt: Fc = 2.50		

The calculated OHL must be less than the allowable OHL.

To minimize overhung load and increase bearing life, the load centerline should be located as close to the shaft shoulder as possible. For applications where OHL exceeds catalogued values use the reducer selection tables to select the next largest size gearcase or contact Application Engineering.

QUANTIS

Service Factor Classification For Industry Applications

Table 1

Applications which expose the gear drive to high starting torques, extreme repetitive shock, or where high energy loads must be absorbed as when stalling, require special consideration. Service factors for the special applications should be agreed upon by the user and DODGE since variations of the values in the table may be required.

The service factors in the service factor table are based on the use of an electric or hydraulic motor or the use of a steam or gas turbine as a prime mover. If the prime mover is a single or multi-cylinder engine, then the service factor must be adjusted in accordance with Table 1.

CHART 3 - CONVERSION TABLE FOR SINGLE OR MULTI-CYLINDER ENGINES TO FIND EQUIVALENT SINGLE OR MULT-CYLINDER APPLICATION FACTOR OR SERVICE FACTOR

Steam And Gas Turbines, Hydraulic Or Electric Motor	Single Cylinder Engines	Multi- Cylinder Engines
1.00	1.50	1.25
1.25	1.75	1.50
1.50	2.00	1.75
1.75	2.25	2.00
2.00	2.50	2.25
2.25	2.75	2.50
2.50	3.00	2.75
2.75	3.25	3.00
3.00	3.50	3.25
3.50	4.00	3.75

Table 2 - SERVICE FACTOR

Application	Service	
	3-10 Hrs. / Day	10+ Hrs / Day
AGITATORS (MIXERS)		
Pure Liquids	1.00	1.25
Liquids & Solids	1.25	1.50
Liquid - Variable Density	1.25	1.50
BLOWERS		
Centrifugal	1.00	1.25
Lobe	1.25	1.50
Vane	1.25	1.50
BREWING & DISTILLING		
Bottle Machinery	1.00	1.25
Brew Kettles, Cont. Duty	1.25	1.25
Cookers - Cont. Duty	1.25	1.25
Mash Tubs - Cont. Duty	1.25	1.25
Scale Hoppers - Frequent Starts	1.25	1.50
CAN FILLING MACHINES	1.00	1.25
CAR DUMPERS	1.75	2.00
CAR PULLERS	1.25	1.50
CLARIFIERS	1.00	1.25
CLASSIFIERS	1.25	1.50
CLAY WORKING MACHINERY		
Brick Press	1.75	2.00
Briquette Machines	1.75	2.00
Pug Mills	1.25	1.50
COMPACTORS	2.00	2.00
COMPRESSORS		
Centrifugal	1.00	1.25
Lobe	1.25	1.50
Reciprocating:		
Multi-cylinder	1.50	1.75
Single Cylinder	1.75	2.00

Application	Service	
	3-10 Hrs. / Day	10+ Hrs / Day
CONVEYORS - General Purpose Includes Apron, Assembly, Belt, Bucket, Chain, Flight, Oven and Screw		
Uniformly Loaded or Fed	1.00	1.25
Heavy Duty - Not Uniformly Fed	1.25	1.50
Severe Duty - Reciprocating or Shaker	1.75	2.00
CRANES		
Dry Dock		
Main Hoist	2.50	2.50
Auxiliary Hoist	2.50	3.00
Boom Hoist	2.50	3.00
Slewing Drive	2.50	3.00
Traction Drive	3.00	3.00
Container		
Main Hoist	3.00	3.00
Boom Hoist	2.00	2.00
Trolley Drive		
Gantry Drive	3.00	3.00
Traction Drive	2.00	2.00
Mill Duty		
Main Hoist	3.50	3.50
Auxiliary Hoist	3.50	3.50
Bridge	3.00	3.00
Trolley Travel	3.00	3.00
Industrial Duty		
Main Hoist	2.50	3.00
Auxiliary Hoist	2.50	3.00
Bridge	3.00	3.00

Application	Service	
	3-10 Hrs. / Day	10+ Hrs / Day
Trolley Travel	3.00	3.00
CRUSHERS		
Ore or Stone	1.75	2.00
DREDGES		
Cable Reels	1.25	1.50
Conveyors	1.25	1.50
Cutter Head	2.00	2.00
Pumps	2.00	2.00
Screen Drives	1.75	2.00
Stackers	1.25	1.50
Winches	1.25	1.50
ELEVATORS		
Bucket	1.25	1.50
Centrifugal Discharge	1.00	1.25
Escalators	1.00	1.25
Freight	1.25	1.50
Gravity Discharge	1.00	1.25
EXTRUDERS		
General	1.50	1.50
Plastics		
Variable Speed Drive	1.50	1.50
Fixed Speed Drive	1.75	1.75
Rubber		
Continuous Screw Operation	1.75	1.75
Intermittent Screw Operation	1.75	1.75
FANS		
Centrifugal	1.00	1.25
Cooling Towers	2.00	2.00
Forced Draft	1.25	1.25

SPECIFICATION HOW TO ORDER



QUANTIS

Service Factor (cont')

Application	Service	
	3-10 Hrs. / Day	10+ Hrs / Day
FANS (Continued)		
Induced Draft	1.50	1.50
Industrial & Mine	1.50	1.50
FEEDERS		
Apron	1.25	1.50
Belt	1.25	1.50
Disc	1.00	1.25
Reciprocating	1.75	2.00
Screw	1.25	1.50
FOOD INDUSTRY		
Cereal Cookers	1.00	1.25
Dough Mixers	1.25	1.50
Meat Grinders	1.25	1.50
Slicers	1.25	1.50
GENERATORS AND EXCITERS	1.00	1.25
HAMMER MILLS	1.75	2.00
HOIST		
Heavy Duty	1.75	2.00
Medium Duty	1.25	1.50
Skip Hoist	1.25	1.50
LAUNDRY		
Tumblers	1.25	1.50
Washers	1.50	2.00
LUMBER INDUSTRY		
Barkers - Spindle Feed	1.25	1.50
Main Drive	1.75	1.75
Conveyors - Burner	1.25	1.50
Main or Heavy Duty	1.50	1.50
Main Log	1.75	2.00
Re-Saw Merry-Go-Round	1.25	1.50
Conveyor		
Slab	1.75	2.00
Transfer	1.25	1.50
Chains		
Floor	1.50	1.50
Green	1.50	1.75
Cut-Off Saws		
Chain	1.50	1.75
Drag	1.50	1.75
Debarking Drums	1.75	2.00
Feeds		
Edger	1.25	1.50
Gang	1.75	1.75
Trimmer	1.25	1.50
Log Deck	1.75	1.75
Log Hauls - Incline, Well Type	1.75	1.75
Log Turning Devices	1.75	1.75
Planer Feed	1.25	1.50
Planer Tilting Hoists	1.50	1.50
Rolls - Live - Off Bearing - Roll Cases	1.75	1.75

Application	Service	
	3-10 Hrs. / Day	10+ Hrs / Day
Sorting Table, Tipple Hoist	1.25	1.50
Tipple Hoist	1.25	1.50
Transfer		
Chain	1.50	1.75
Craneway	1.50	1.75
Tray Drives	1.25	1.50
Veneer Lathe Drives	1.25	1.50
METAL MILLS		
Draw Bench Carriages & Main Drives	1.25	1.50
Runout Table		
Non-Reversing		
Group Drives	1.50	1.50
Individual Drives	2.00	2.00
Reversing	2.00	2.00
Slab Pushers	1.50	1.50
Shears	2.00	2.00
Wire Drawing	1.25	1.50
Wire Winding Machine	1.50	1.50
METAL STRIP PROCESSING MACHINERY		
Bridles	1.25	1.50
Coilers & Uncoilers	1.00	1.25
Edge Trimmers	1.25	1.50
Flatteners	1.25	1.50
Loopers (Accumulators)	1.00	1.25
Pinch Rolls	1.25	1.50
Scrap Choppers	1.25	1.50
Shears	2.00	2.00
Slitters	1.25	1.50
MILLS, ROTARY TYPE		
Ball and Rod		
Spur Ring Gear	2.00	2.00
Helical Ring Gear	1.50	1.50
Direct Connected	2.00	2.00
Cement Kilns	1.50	1.50
Dryers & Coolers	1.50	1.50
MIXERS		
Concert	1.25	1.50
PAPER MILLS		
Agitator (Mixer)	1.50	1.50
Agitator for Pure Liquids	1.25	1.25
Barking Drums	2.00	2.00
Barkers - Mechanical	2.00	2.00
Beater	1.50	1.50
Breaker Stack	1.25	1.25
Calendar (3)	1.25	1.25
Chipper	2.00	2.00
Chip Feeder	1.50	1.50
Coating rolls	1.25	1.25
Conveyors		

Application	Service	
	3-10 Hrs. / Day	10+ Hrs / Day
Chip, Bark, Chemical	1.25	1.25
Logs (Including Slab)	2.00	2.00
Couch Rolls	1.25	1.25
Cutter	2.00	2.00
Cylinder Molds	1.25	1.25
Dryers (3)		
Paper Machine	1.25	1.25
Conveyor Type	1.25	1.25
Embossor	1.25	1.25
Extruder	1.50	1.50
Fourdrinier Rolls (Includes lump breaker, dandy roll, wire turning and return rolls	1.25	1.25
Jordan	1.50	1.50
Kiln Drive	1.50	1.50
Mt. Hope Rolls	1.25	1.25
Paper Rolls	1.25	1.25
Platter	1.50	1.50
Presses - Felt & Suction	1.25	1.25
Pulper	2.00	2.00
Pumps - Vacuum	1.50	1.50
Reel (Surface Type)	1.25	1.25
Screens -		
Chip	1.50	1.50
Rotary	1.50	1.50
Vibrating	2.00	2.00
Size Press	1.25	1.25
Super Calendar	1.25	1.25
Thickener		
AC Motor	1.50	1.50
DC Motor	1.25	1.25
Washers		
AC Motor	1.50	1.50
DC Motor	1.25	1.25
Wind & Unwind Stand	1.00	1.00
Winders (Surface Type)	1.25	1.25
Yankee Dryer	1.25	1.25
PLASTIC INDUSTRY		
Primary Processing		
Intensive Internal Mixers		
Batch Mixers	1.75	1.75
Continuous Mixers	1.50	1.50
Batch Drop Mill - 2 Smooth Rolls	1.25	1.25
Continuous Feed, Holding & Blend Mill	1.25	1.25
Compounding Mill	1.25	1.25
Calenders	1.50	1.50
Secondary Processing		
Blow Molders	1.50	1.50
Coating	1.25	1.25

SPECIFICATION HOW TO ORDER



QUANTIS

QUANTIS GOLD

LIH

RHB

MSM

QUANTIS Service Factor (cont')

Application	Service	
	3-10 Hrs. / Day	10+ Hrs / Day
PLASTIC INDUSTRY (Continued)		
Film	1.25	1.25
Pipe	1.25	1.25
Pre-Plasticizers	1.50	1.50
Rods	1.25	1.25
Sheet	1.25	1.25
Tubing	1.75	2.00
PULLERS - Barge Haul	1.25	1.50
PUMPS		
Centrifugal	1.00	1.25
Proportioning	1.25	1.50
Reciprocating		
Single Acting,	1.25	1.50
3 or More Cylinders		
Double Acting,	1.25	1.50
2 or More Cylinders		
Rotary		
Gear	1.00	1.25
Lobe	1.00	1.25
Vane	1.00	1.25
RUBBER INDUSTRY		
Intensive Internal Mixers		
Batch Mixers	1.75	1.75
Continuous Mixers	1.50	1.50
Mixing Mill - 2 smooth rolls	1.50	1.50

Application	Service	
	3-10 Hrs. / Day	10+ Hrs / Day
(If corrugated rolls are used, then use the same service factors that are used for a Cracker - Warmer)		
Batch Drop Mill - 2 Smooth Rolls	1.50	1.50
Cracker Warmer - 2 Rolls; 1 Corrugated Roll	1.75	1.75
Cracker - 2 Corrugated Rolls	2.00	2.00
Holding, Feed & Blend Mill - 2 Rolls	1.25	1.25
Refiner - 2 Rolls	1.50	1.50
Calenders	1.50	1.50
SAND MULLER	1.25	1.50
SCREENS		
Air Washing	1.00	1.25
Rotary - Sand or Gravel	1.25	1.50
Traveling Water Intake	1.00	1.25
SEWAGE DISPOSAL		
Bar Screens	1.25	1.25
Chemical Feeders	1.25	1.25
Dewatering Screens	1.50	1.50
Scum Breakers	1.50	1.50
Slow or Rapid Mixers	1.50	1.50
Sludge Collectors	1.25	1.25

Application	Service	
	3-10 Hrs. / Day	10+ Hrs / Day
Thickeners	1.50	1.50
Vacuum Filters	1.50	1.50
SUGAR INDUSTRY		
Beet Slicer	2.00	2.00
Cane Knives	1.50	1.50
Crushers	1.50	1.50
Mills (Low Speed End)	1.75	1.75
TEXTILE INDUSTRY		
Batchers	1.25	1.50
Calenders	1.25	1.50
Card	1.25	1.50
Dry Cans	1.25	1.50
Dryers	1.25	1.50
Dyeing Machinery	1.25	1.50
Looms	1.25	1.50
Mangles	1.25	1.50
Nappers	1.25	1.50
Pads	1.25	1.50
Slashers	1.25	1.50
Soapers	1.25	1.50
Spinners	1.25	1.50
Tenter Frames	1.25	1.50
Washers	1.25	1.50
Winders	1.25	1.50

SPECIFICATION HOW TO ORDER



LUBRICATION OPTIONS

The list below shows lubricants that are available as factory fill in QUANTIS reducers. The standard factory fill lubricant is Mobilgear 600 XP 220, which

is a high performance mineral oil lubricant with special additives for use in industrial gear products.

Ambient Temperature	Oil Type	ISO Viscosity Grade	Available Oils	Available Food Grade Oils (NSF H1)
10° F to 105° F (-12° C to 41° C)	Mineral Oil	220	Mobilgear 600 XP 220 (standard fill *)	~
-20° F to 50° F (-29° C to 13° C)	Synthetic	68	Mobil SHC 626	~
-10° F to 115° F (-23° C to 46° C)	Synthetic	220	Mobil SHC 630	~
30° F to 140° F (-0° C to 60° C)	Synthetic	460	Mobil SHC 634	~
25° F to 75° F (-4° C to 29° C)	Mineral Oil	220	~	Chevron FM 220
45° F to 105° F (7° C to 41° C)	Mineral Oil	460	~	Chevron FM 460

* Previous factory fill oil was Mobilgear 630 - Mobilgear 600 XP220 and Mobilgear 630 are completely compatible with each other and do not require a flush.

for size 38 reducers. If the reducer is ordered with the standard mineral oil and the oil is later changed to synthetic oil, it is recommended the shaft seals be changed to Viton (FKM) material.

Ambient temperatures listed are for lubricants only and do not indicate a particular gear unit's suitability to run in that ambient. Contact DODGE Gearing Application Engineering for application assistance.

ILH, MSM, and RHB reducers are furnished with oil level, drain, and fill plugs except for the size 38, which only has a fill plug. Before starting operation, the breather must be located in the correct location.

All reducers are factory filled according to the mounting position indicated on the order. If the mounting position is changed from the ordered mounting position, the oil level must be changed. The oil volumes shown in the mounting position charts are approximate. The correct oil level is determined by the oil level hole in the housing except

Continued operation in cold ambient conditions requires special modifications. Please contact DODGE Gearing Application Engineering for application assistance.

The density of the standard factory fill oil is 0.93 lbs/pint (1.98 lbs/liter).

QUANTIS

QUANTIS GOLD

ILH

RHB

MSM

SPECIFICATION HOW TO ORDER



QUANTIS

QUANTIS GOLD

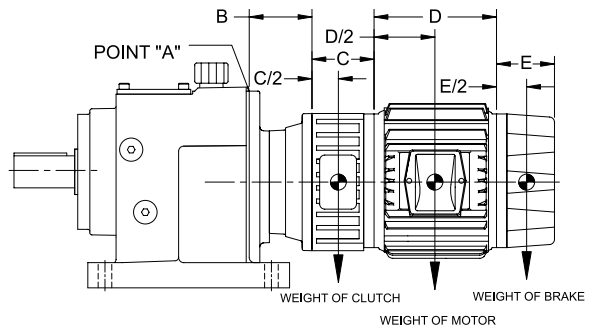
ILH

RHB

MSM

Maximum Allowable Weight of Motors on QUANTIS C-Face Reducers

When using QUANTIS reducers with C-face inputs, the load from the weight of the motor, plus any brakes, clutches, or other hardware, must be compared to the maximum allowable load. Failure to check the load may result in product failure and injury. The table below lists the maximum allowable load for applications without external shock loading. The information below the table shows how to calculate the actual load. If unsure on how to perform this check, please contact DODGE Gearing Application support. If the calculated load exceeds the maximum allowable load, it is recommended that a separate-input style reducer and foot mounted motor be used. If a c-face input style must be used, then the motor must be supported independently from the reducer. The motor feet must be shimmed by qualified personnel to avoid putting forces on the reducer.



Unit Size		Maximum Allowable Load
ILH or MSM	RHB	
38	38 - 48	1900
48	68	1950
68	88	3300
88	108	6300
108	128	9400
128	148	16600
148	168	25000
168	-	26000

The actual load is calculated by multiplying the distance from the c-face mounting flange on the reducer, Point "A", to the center of weight of each device, then adding all of the values together. All distances need to be in inches and the weights need to be in pounds.

B = Length of the input assembly. This equals the **ZC** value which is shown on the dimensions pages for each reducer and input size combination.

C = Width of the clutch. (If a clutch is not used, ignore this item) **C/2** (C divided by 2) is the distance from the clutch mounting flange to the center of weight for the clutch

D = Width of the main body of the motor. This information can be obtained from the motor manufacturer – it is typically the "C" dimension minus the length of the input shaft. **D/2** (D divided by 2) is the distance from the motor mounting flange to the center of weight for the motor. If a clutch is located between the motor and reducer, the length of the clutch, "C", must be added to **D/2** when calculating the load.

E = Width of the brake (if a brake is not used, ignore this item). The center of weight for the brake can be determined by dividing the total width of the brake by 2 (**E/2**). The width of the clutch, "C", and the width of the motor, "D", must be added to **E/2** when calculating the load.

EXAMPLE OF AN APPLICATION WITH A CLUTCH, MOTOR AND BRAKE, MOUNTED ON A SIZE 48 RHB FOOTED REDUCER WITH SOLID OUTPUT SHAFT WITH A 140TC CLAMP COLLAR INPUT:

FOR THIS EXAMPLE:

Width of the clutch, "C" is 3.6"

Clutch weight is 13.3 Lbs.

Width of the main body of the motor, "D", is 11.4"

Motor weight is 44 Lbs.

Width of the brake, "E", is 4.0"

Brake weight is 18.5 Lbs.

SPECIFICATION HOW TO ORDER



Maximum Allowable Weight of Motors on QUANTIS C-Face Reducers (continued)

$$B = ZC \text{ from Page RHB-123} = \mathbf{4.17''}$$

$$C/2 = \text{Clutch width} \div 2 = 3.6 \div 2 = \mathbf{1.8''}$$

$$D/2 = \text{Motor main body width} \div 2 = 11.4 \div 2 = \mathbf{5.7''}$$

$$E/2 = \text{Brake width} \div 2 = 4.0 \div 2 = \mathbf{2.0''}$$

CALCULATION OF THE LOADS FROM EACH COMPONENT – for each calculation, the distance from the center of weight from each component to Point “A” is multiplied by the weight of the component.

$$\begin{aligned} \text{The load from the weight of the clutch} &= (“B” + “C/2”) \times \text{clutch weight} \\ &= (4.17 + 1.8) \times 13.3 = \mathbf{79 \text{ in-lbs}} \end{aligned}$$

$$\begin{aligned} \text{The load from the weight of the motor} &= (“B” + “C” + “D/2”) \times \text{motor weight} \\ &= (4.17 + 3.6 + 5.7) \times 44 = \mathbf{593 \text{ in-lbs}} \end{aligned}$$

$$\begin{aligned} \text{The load from the weight of the brake} &= (“B” + “C” + “D” + “E/2”) \times \text{brake weight} \\ &= (4.17 + 3.6 + 11.4 + 2.0) \times 18.5 = \mathbf{392 \text{ in-lbs}} \end{aligned}$$

The total load is the sum of the component loads and equals $\mathbf{79 + 593 + 392 = 1,064 \text{ in-lbs}}$. The allowable load for a size 48, RHB = 1,900, so this combination of components is acceptable for an application without external shock loading.

If this example did not have a clutch or brake, then the load from the motor would be calculated as:

$$\begin{aligned} \text{The load from the weight of the motor} &= (“B” + “D/2”) \times \text{motor weight} \\ &= (4.17 + 5.7) \times 44 = \mathbf{434 \text{ in-lbs}} \end{aligned}$$

QUANTIS Backstops

Backstops are available as an option, with 3-piece Coupled or Separate Input assemblies, for applications that require the prevention of reverse rotation. Backstops are internally mounted in the input assembly by the factory and cannot be reversed in the field. The backstops are premium, lift-off style, and require a minimum input shaft speed to operate correctly. After the lift-off speed is exceeded, the backstops do not have any rubbing components and do not generate any heat. Backstops should not be used for applications when the input shaft speed is below the lift-off speed.

When ordering a reducer equipped with a backstop, it is necessary to indicate on the order the desired direction of rotation of the output shaft. The backstop cannot be reversed in the field after it is assembled into the reducer. **The direction of rotation is defined by looking at the end of the output shaft.** On RHB style reducers, it is also

necessary to indicate from which side of the reducer, “A” side or “B” side, the shaft is being viewed. (“A” and “B” side is shown on the following page and on the Mounting Position pages). This also applies to straight hollow shaft, Twin Tapered Bushing, and shrink disk configurations except as noted.

To calculate the maximum allowable torque (peak torque) the backstop will hold at the output shaft, multiply the overall ratio of the reducer by the maximum allowable torque listed below. The nominal torque rating of the backstop is half of the peak value. **NOTE: Other internal components may limit the amount of torque the reducer can apply. Always limit the nominal torque load to the smaller of the reducer torque rating (listed in the selection pages) or nominal torque rating of the backstop.**

3-Piece Coupled	Separate Group	Lift-Off Speed (RPM)	Max. Allowable Torque (ft-lb)
56C	71	890	53
---	80	820	221
140TC	90	820	221
180TC	100	750	279
---	112	750	236
210TC	132	670	590
250TC	160	670	590
280TC	180	610	959
320TC	225	610	959
360TC	250	610	959

SPECIFICATION HOW TO ORDER



QUANTIS

Backstops (continued)

PRODUCT	UNIT SIZE	NUMBER OF REDUCTION STAGES	OUTPUT SHAFT DIRECTION OF ROTATION LOOKING AT THE EXPOSED END OF THE OUTPUT SHAFT	OUTPUT SHAFT LOCATION SIDE & VIEW	INPUT SHAFT ROTATION LOOKING AT THE EXPOSED END OF THE INPUT SHAFT
ILH	38 - 88	SINGLE	CW	-	CW
ILH	38 - 88	SINGLE	CCW	-	CCW
ILH	38 - 168	DOUBLE	CW	-	CCW
ILH	38 - 168	DOUBLE	CCW	-	CW
ILH	38 - 168	TRIPLE	CW	-	CW
ILH	38 - 168	TRIPLE	CCW	-	CCW
MSM	38 - 168	DOUBLE	CW	A	CCW
MSM	38 - 168	DOUBLE	CCW	A	CW
MSM	38 - 168	TRIPLE	CW	A	CW
MSM	38 - 168	TRIPLE	CCW	A	CCW
RHB	38 - 88	TRIPLE	CW	A	CW
RHB	38 - 88	TRIPLE	CCW	A	CCW
RHB	38 - 88	TRIPLE	CW	B ♦	CW
RHB	38 - 88	TRIPLE	CCW	B ♦	CCW
RHB	108 - 168	TRIPLE	CW	A	CCW
RHB	108 - 168	TRIPLE	CCW	A	CW
RHB	108 - 168	TRIPLE	CW	B	CW
RHB	108 - 168	TRIPLE	CCW	B	CCW

♦ Does not apply to Hollow, Twin Tapered Bushing, or Double Extended shafts. For these configurations, specify the direction of rotation by looking at the A side

QUANTIS

QUANTIS GOLD

ILH

RHB

MSM

SPECIFICATION HOW TO ORDER



QUANTIS

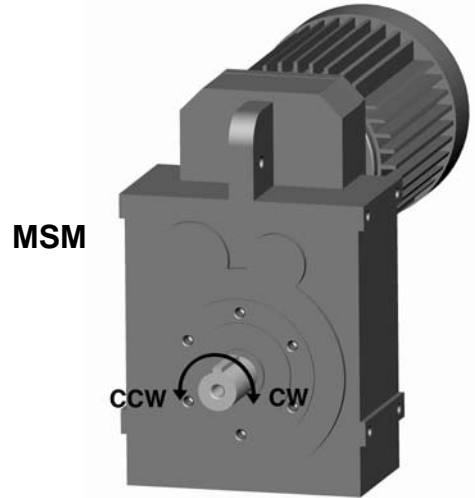
QUANTIS GOLD

ILH

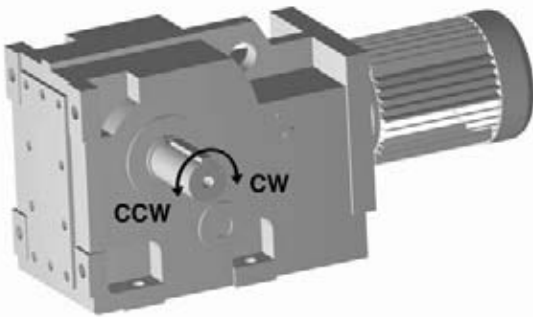
RHB

MSM

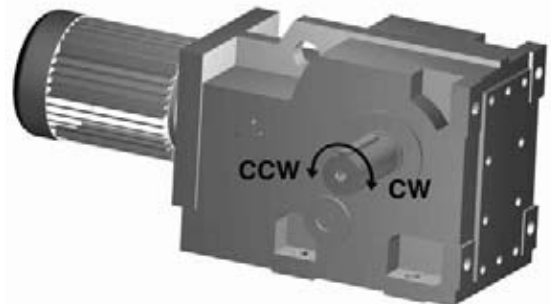
QUANTIS Backstops (continued)



RHB - A-SIDE



RHB - B-SIDE



WARNING

Backstops are not to be used for applications involving energy absorption and shock or torque loads in excess of reducer ratings or on applications such as chair lifts, amusement rides, etc. and where the safety of persons or property is dependent on the function. On such applications, other holding devices must be provided.

SPECIFICATION HOW TO ORDER



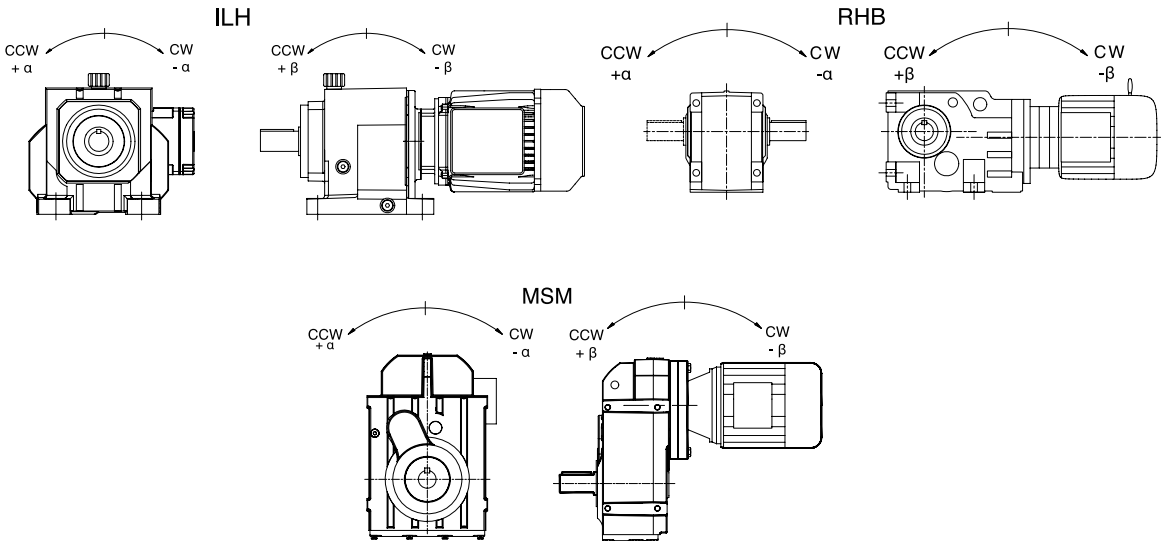
QUANTIS Incline Mountings

DODGE QUANTIS reducers can be modified to permit mounting in positions other than the standard mounting positions shown in the mounting position charts including inclined and tilted positions. Consult application engineering to determine what modifications are required for your specific application.

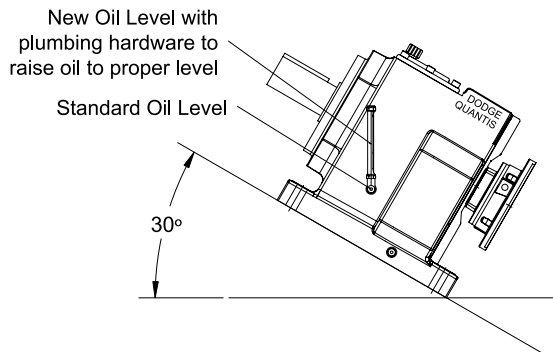
In order for DODGE to make recommendations on the required modifications, the following information must be provided:

- Reducer Size
- Ratio

- Input and/or Output speed
- Transmitted Horsepower
- Duty Cycle - Continuous vs. intermittent operation. If intermittent, running time vs. idle time.
- Mounting position, such as A1, A2, . . . A6 with shafts level, a complete description of the mounting arrangement including the angle of tilt of the housing, the incline of the shafts and whether the output shaft is higher or lower than the input shaft.



For the example shown here - the unit would be called out with a CW rotation from a A1 mounting position of 30 degrees (Angle β). This illustration represents a typical arrangement for a tilted reducer. The proper oil level will vary with reducer size, ratio, input speed and angle of tilt. Consult DODGE for proper oil level.



NOTES



QUANTIS

QUANTIS GOLD

ILH

RHB

MSM

DODGE QUANTIS Gold Gearmotors

Features / Benefits	QG-3
How to Order / Nomenclature	QG-5
Selection	
ILH	QG-6
RHB Solid Output Shaft	QG-16
RHB Twin Tapered Bushed.	QG-20
Dimensions	
ILH	QG-14
RHB Solid Output Shaft	QG-18
RHB Twin Tapered Bushed.	QG-22
Motor Information	QG-24
Part Number Index	INDEX-1

NOTES



QUANTIS

QUANTIS GOLD

ILH

RHB

MSM

DODGE QUANTIS In-Line Helical (ILH) and Right Angle Helical Bevel (RHB) C-Face Gearmotors

QUANTIS ILH and RHB C-face gearmotors are now available with Baldor Super-E® Premium Efficient motors. Energy efficiency has now been brought up to the “Gold” standard.



ILH C-Face Gearmotor



RHB C-Face Gearmotor

ILH Reducer Specifications:

- Sizes 38 – 88
- NEMA Clamp Collar Design, 56C – 210TC
- Foot Mounted Housing Configuration
- Standard Inch Output Shafts
- Nitrile Input and Output Lip Seals
- A1 Mounting (horizontal, feet down)
- Mobilgear 600 XP 220

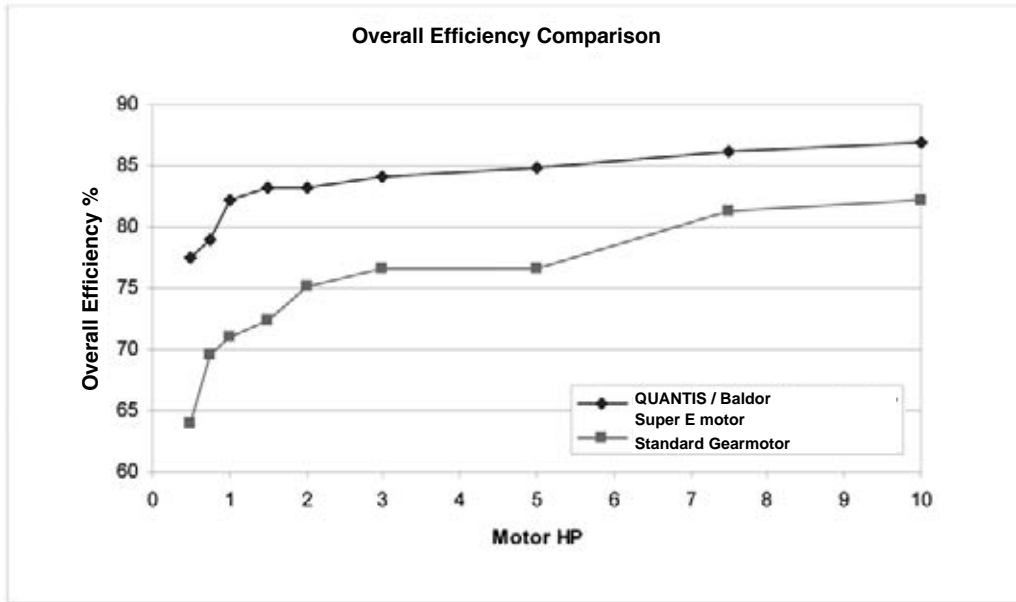
RHB Reducer Specifications:

- Sizes 38 – 88
- NEMA Clamp Collar Design, 56C – 210TC
- Foot and Flange Mounted Housing Configurations
- Standard Inch Output Shafts (A-side)
- Tapered Hollow Bores with Twin-Tapered Bushings
- Nitrile Input and Output Lip Seals
- A1 Mounting (horizontal, feet down)
- Mobilgear 600 XP 220

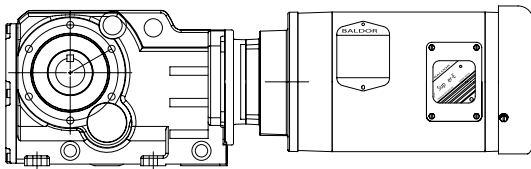
Baldor Super-E Premium Efficient Motor

- 1800 rpm
- 60 Hz, 230/460v
- TEFC Enclosure
- Rolled Steel (1/2 – 5hp) and Cast Iron (7.5 – 10hp) construction that meet or exceed NEMA premium efficiency levels
- Designed for all standard industrial applications in a dusty, dirty and / or humid environment
- Inverter Capable – Insulation meets NEMA MG1 Part 31.4.4.2
- Suitable for inverter drives for variable torque and 20:1 constant torque applications

QUANTIS C-Face Reducers with Baldor Premium Efficient Super-E Motors

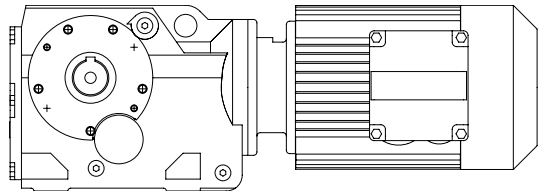


QUANTIS RHB HELICAL/BEVEL



1 HP Super-E Motor (VEM3546)
 54.49:1 ratio
 C-face motor.....87.5% efficient
 QUANTIS reducer.....94% efficient
 Total system.....82.25% efficient

STANDARD GEARMOTOR HELICAL/BEVEL



1 HP Integral motor
 56.83:1 ratio
 Integral motor.....75.5% efficient
 Standard reducer...94% efficient
 Total system.....70.97% efficient

Yearly savings per unit* = \$69.20

Savings on typical installation (30 units)* = \$2,076

Yearly heat load savings per unit** = 1,722,000 BTU

Yearly heat load savings on typical installation (30 units)** = 51,660,000 BTU

*Based on 20 hr/day, 6 days/week, 50 weeks/year, \$0.08 kW/hr

**Amount of heat that does not need to be removed by air conditioning equipment in a controlled ambient facility.

HOW TO ORDER/ NOMENCLATURE



QUANTIS ILH and RHB C-Face Gearmotors

ILH Example: H3C56S00477G-.5G

H	3	C	56	S	00477	G	.5	G
Housing Configuration	Size	Input Type	Frame	Output Type	Ratio	Style	HP	Motor Type
H = ILH Foot Mounted B = RHB Foot Mounted BF = RHB Flange Mounted	3 = 38 4 = 48 6 = 68 8 = 88	C = Clamp Collar	56 = 56C 14 = 140TC 18 = 180TC 21 = 210TC	S = Solid Inch Shaft (RHB – A side) T = Tapered Hollow	000.00	Quantis Gold	.5 = 1/2 Hp .75 = 3/4 HP 1 = 1 Hp 1.5 = 1-1/2 Hp 2 = 2 Hp 3 = 3 Hp 5 = 5 Hp 7.5 = 7-1/2 Hp 10 = 10 Hp	G = Baldor Super-E

RHB Example: B3C14S00565G-2G

B	3	C	14	S	00565	G	2	G
Housing Configuration	Size	Input Type	Frame	Output Type	Ratio	Style	HP	Motor Type
H = ILH Foot Mounted B = RHB Foot Mounted BF = RHB Flange Mounted	3 = 38 4 = 48 6 = 68 8 = 88	C = Clamp Collar	56 = 56C 14 = 140TC 18 = 180TC 21 = 210TC	S = Solid Inch Shaft (RHB – A side) T = Tapered Hollow	000.00	Quantis Gold	.5 = 1/2 Hp .75 = 3/4 HP 1 = 1 Hp 1.5 = 1-1/2 Hp 2 = 2 Hp 3 = 3 Hp 5 = 5 Hp 7.5 = 7-1/2 Hp 10 = 10 Hp	G = Baldor Super-E

Note: For Application Selection Guidelines, refer to pages QUANTIS-10 through QUANTIS-22 in the 2009 QUANTIS Gear Engineering Catalog

FEATURES/BENEFITS PAGE QG-3	SELECTION C-FACE GEARMOTOR PAGE QG-6	DIMENSIONS PAGE QG-14	THERMAL RATINGS PAGE ILH-335
--------------------------------	---	--------------------------	---------------------------------

ILH Foot Mounted, Clamp Collar C-Face Gearmotors Premium Efficient Motor

RPM Range	Size	Ratio	Output RPM	Mechanical Input HP (Max)				1/2	3/4
				56C	140TC	180TC	210TC	56C	56C
409 - 501 RPM	HB 482	4.28	409		5.01				
	HB 482	4.28	409			10.37			
	HB 682	4.22	415			10.35			
	HB 682	4.22	415				24.96		
	HB 682	3.49	501				26.64		
315 - 367 RPM	HB 382	4.77	367	2.02				H3C56S00477G-.5G	H3C56S00477G-.75G
	HB 382	4.77	367		5.01				
	HB 382	5.55	315		5.00				
	HB 482	5.15	340		5.00				
	HB 382	4.77	367			7.19			
	HB 482	5.15	340			10.35			
	HB 682	5.06	346				23.27		
254 - 295 RPM	HB 382	6.16	284	2.02				H3C56S00616G-.5G	H3C56S00616G-.75G
	HB 382	6.16	284		5.00				
	HB 382	6.71	261		4.99				
	HB 482	6.06	289		5.00				
	HB 382	6.71	261			6.01			
	HB 482	6.06	289			10.36			
	HB 482	6.90	254			10.35			
	HB 682	5.93	295				20.31		
200 - 233 RPM	HB 682	6.72	260				24.68		
	HB 382	7.50	233	2.02				H3C56S00750G-.5G	H3C56S00750G-.75G
	HB 382	7.50	233		4.75				
	HB 382	7.52	233		5.00				
	HB 382	8.75	200		5.00				
	HB 482	8.29	211		5.00				
	HB 382	7.50	233			5.59			
	HB 482	8.29	211			9.80			
	HB 682	8.11	216				22.48		
179 - 189 RPM	HB 382	9.70	180	2.02				H3C56S00970G-.5G	H3C56S00970G-.75G
	HB 382	9.70	180		4.86				
	HB 482	9.76	179		5.00				
	HB 382	9.70	180			4.86			
	HB 482	9.76	179			8.79			
	HB 682	9.73	180				20.17		
	HB 882	9.26	189				28.62		

* Footed, standard inch shaft diameter, A1 mounting position, clamp collar input, 1750 rpm input speed
For motor information, please reference page QG-24.

NOMENCLATURE PAGE QG-5	DIMENSIONS PAGE QG-14	THERMAL RATINGS PAGE ILH-335	MOTOR INFORMATION PAGE QG-24
---------------------------	--------------------------	---------------------------------	---------------------------------

ILH Foot Mounted, Clamp Collar C-Face Gearmotors Premium Efficient Motor

1	1-1/2	2	3	5	7-1/2	10
56C	140TC	140TC	180TC	180TC	210TC	210TC
	H4C14S00428G-1.5G	H4C14S00428G-2G				
			H4C18S00428G-3G	H4C18S00428G-5G		
			H6C18S00422G-3G	H6C18S00422G-5G		
					H6C21S00422G-7.5G	H6C21S00422G-10G
					H6C21S00349G-7.5G	H6C21S00349G-10G
H3C56S00477G-1G						
	H3C14S00477G-1.5G	H3C14S00477G-2G				
	H3C14S00555G-1.5G	H3C14S00555G-2G				
	H4C14S00515G-1.5G	H4C14S00515G-2G				
			H3C18S00477G-3G	H3C18S00477G-5G		
			H4C18S00515G-3G	H4C18S00515G-5G		
					H6C21S00506G-7.5G	H6C21S00506G-10G
H3C56S00616G-1G						
	H3C14S00616G-1.5G	H3C14S00616G-2G				
	H3C14S00671G-1.5G	H3C14S00671G-2G				
	H4C14S00606G-1.5G	H4C14S00606G-2G				
			H3C18S00671G-3G	H3C18S00671G-5G		
			H4C18S00606G-3G	H4C18S00606G-5G		
			H4C18S00690G-3G	H4C18S00690G-5G		
					H6C21S00593G-7.5G	H6C21S00593G-10G
					H6C21S00672G-7.5G	H6C21S00672G-10G
H3C56S00750G-1G						
	H3C14S00750G-1.5G	H3C14S00750G-2G				
	H3C14S00752G-1.5G	H3C14S00752G-2G				
	H3C14S00875G-1.5G	H3C14S00875G-2G				
	H4C14S00829G-1.5G	H4C14S00829G-2G				
			H3C18S00750G-3G	H3C18S00750G-5G		
			H4C18S00829G-3G	H4C18S00829G-5G		
					H6C21S00811G-7.5G	H6C21S00811G-10G
H3C56S00970G-1G						
	H3C14S00970G-1.5G	H3C14S00970G-2G				
	H4C14S00976G-1.5G	H4C14S00976G-2G				
			H3C18S00970G-3G			
			H4C18S00976G-3G	H4C18S00976G-5G		
					H6C21S00973G-7.5G	H6C21S00973G-10G
					H8C21S00926G-7.5G	H8C21S00926G-10G

ILH Foot Mounted, Clamp Collar C-Face Gearmotors Premium Efficient Motor

RPM Range	Size	Ratio	Output RPM	Mechanical Input HP (Max.)				1/2	3/4
				56C	140TC	180TC	210TC	56C	56C
143 - 166 RPM	HB 382	11.82	148	2.02				H3C56S01182G-.5G	H3C56S01182G-.75G
	HB 482	12.25	143	2.02				H4C56S01225G-.5G	H4C56S01225G-.75G
	HB 382	10.57	166		4.59				
	HB 382	11.82	148		4.26				
	HB 482	10.93	160		5.00				
	HB 482	12.25	143		5.00				
	HB 482	10.93	160			8.15			
	HB 482	12.25	143			7.55			
	HB 682	11.40	154			10.36			
	HB 682	11.40	154				17.25		
HB 882	10.85	161				27.16			
119 - 129 RPM	HB 382	14.18	123	2.02				H3C56S01418G-.5G	H3C56S01418G-.75G
	HB 482	14.68	119	2.02				H4C56S01468G-.5G	H4C56S01468G-.75G
	HB 382	14.18	123		3.77				
	HB 482	14.68	119		5.00				
	HB 382	14.18	123			3.77			
	HB 482	14.68	119			6.68			
	HB 682	13.59	129			10.36			
	HB 682	14.74	119			10.36			
	HB 682	13.59	129				14.47		
	HB 682	14.74	119				13.34		
HB 882	14.63	120				24.09			
100 - 106 RPM	HB 382	17.33	101	1.84				H3C56S01733G-.5G	H3C56S01733G-.75G
	HB 482	17.55	100	2.02				H4C56S01755G-.5G	H4C56S01755G-.75G
	HB 382	17.33	101		3.12				
	HB 482	17.55	100		4.86				
	HB 482	17.55	100			5.91			
	HB 682	16.45	106			9.95			
	HB 682	16.45	106				11.95		
	HB 882	17.27	101				22.29		
81 - 93 RPM	HB 382	19.64	89	1.67				H3C56S01964G-.5G	H3C56S01964G-.75G
	HB 382	21.67	81	1.55				H3C56S02167G-.5G	H3C56S02167G-.75G
	HB 482	20.95	84	1.96				H4C56S02095G-.5G	H4C56S02095G-.75G
	HB 382	19.64	89		2.75				
	HB 382	21.67	81		2.49				
	HB 482	20.95	84		4.44				
	HB 482	20.95	84			5.24			
	HB 682	20.20	87			8.97			
	HB 682	20.20	87				9.73		
	HB 882	18.72	94				21.46		
HB 882	20.81	84				19.84			

* Footed, standard inch shaft diameter, A1 mounting position, clamp collar input, 1750 rpm input speed
For motor information, please reference page QG-24.

NOMENCLATURE PAGE QG-5	DIMENSIONS PAGE QG-14	THERMAL RATINGS PAGE ILH-335	MOTOR INFORMATION PAGE QG-24
---------------------------	--------------------------	---------------------------------	---------------------------------

ILH Foot Mounted, Clamp Collar C-Face Gearmotors Premium Efficient Motor

1 56C	1-1/2 140TC	2 140TC	3 180TC	5 180TC	7-1/2 210TC	10 210TC
H3C56S01182G-1G						
H4C56S01225G-1G						
	H3C14S01057G-1.5G	H3C14S01057G-2G				
	H3C14S01182G-1.5G	H3C14S01182G-2G				
	H4C14S01093G-1.5G	H4C14S01093G-2G				
	H4C14S01225G-1.5G	H4C14S01225G-2G				
			H4C18S01093G-3G	H4C18S01093G-5G		
			H4C18S01225G-3G	H4C18S01225G-5G		
			H6C18S01140G-3G	H6C18S01140G-5G		
					H6C21S01140G-7.5G	H6C21S01140G-10G
					H8C21S01085G-7.5G	H8C21S01085G-10G
H3C56S01418G-1G						
H4C56S01468G-1G						
	H3C14S01418G-1.5G	H3C14S01418G-2G				
	H4C14S01468G-1.5G	H4C14S01468G-2G				
			H3C18S01418G-3G			
			H4C18S01468G-3G	H4C18S01468G-5G		
			H6C18S01359G-3G	H6C18S01359G-5G		
			H6C18S01474G-3G	H6C18S01474G-5G		
					H6C21S01359G-7.5G	H6C21S01359G-10G
					H6C21S01474G-7.5G	H6C21S01474G-10G
					H8C21S01463G-7.5G	H8C21S01463G-10G
H3C56S01733G-1G						
H4C56S01755G-1G						
	H3C14S01733G-1.5G	H3C14S01733G-2G				
	H4C14S01755G-1.5G	H4C14S01755G-2G				
			H4C18S01755G-3G	H4C18S01755G-5G		
			H6C18S01645G-3G	H6C18S01645G-5G		
					H6C21S01645G-7.5G	H6C21S01645G-10G
					H8C21S01727G-7.5G	H8C21S01727G-10G
H3C56S01964G-1G						
H3C56S02167G-1G						
H4C56S02095G-1G						
	H3C14S01964G-1.5G	H3C14S01964G-2G				
	H3C14S02167G-1.5G	H3C14S02167G-2G				
	H4C14S02095G-1.5G	H4C14S02095G-2G				
			H4C18S02095G-3G	H4C18S02095G-5G		
			H6C18S02020G-3G	H6C18S02020G-5G		
					H6C21S02020G-7.5G	
					H8C21S01872G-7.5G	H8C21S01872G-10G
					H8C21S02081G-7.5G	H8C21S02081G-10G

ILH Foot Mounted, Clamp Collar C-Face Gearmotors Premium Efficient Motor

RPM Range	Size	Ratio	Output RPM	Mechanical Input HP (Max.)				1/2	3/4
				56C	140TC	180TC	210TC	56C	56C
68 - 77 RPM	HB 382	24.50	71	1.41				H3C56S02450G-.5G	H3C56S02450G-.75G
	HB 382	24.50	71		2.21				
	HB 682	25.55	69		4.36				
	HB 682	25.55	69			7.70			
	HB 682	25.55	69				7.70		
	HB 882	22.61	77				18.26		
61 - 66 RPM	HB 382	27.97	63	1.26				H3C56S02797G-.5G	H3C56S02797G-.75G
	HB 482	26.53	66	1.63				H4C56S02653G-.5G	H4C56S02653G-.75G
	HB 482	28.74	61	1.53				H4C56S02874G-.5G	H4C56S02874G-.75G
	HB 382	27.97	63		1.93				
	HB 482	26.53	66		3.92				
	HB 482	28.74	61		3.77				
	HB 482	26.53	66			4.17			
	HB 482	28.74	61			3.85			
	HB 682	28.25	62			6.96			
	HB 882	26.85	65			9.57			
	HB 882	26.85	65				15.38		
51 - 57 RPM	HB 382	31.80	55	1.13				H3C56S03180G-.5G	H3C56S03180G-.75G
	HB 383	33.82	52	1.60				H3C56S03382G-.5G	H3C56S03382G-.75G
	HB 482	31.77	55	1.40				H4C56S03177G-.5G	H4C56S03177G-.75G
	HB 382	31.80	55		1.70				
	HB 482	31.77	55		3.48				
	HB 682	30.60	57		3.94				
	HB 682	34.49	51		3.69				
	HB 482	31.77	55			3.48			
	HB 682	30.60	57			6.43			
	HB 682	34.49	51			5.70			
	HB 882	31.32	56			8.45			
HB 882	31.32	56				13.18			
45 - 49 RPM	HB 382	39.24	45	.95				H3C56S03924G-.5G	H3C56S03924G-.75G
	HB 383	39.28	45	1.38				H3C56S03928G-.5G	H3C56S03928G-.75G
	HB 482	37.06	47	1.23				H4C56S03706G-.5G	H4C56S03706G-.75G
	HB 483	35.59	49		3.11				
	HB 482	37.06	47		2.98				
	HB 682	37.76	46		3.51				
	HB 683	37.80	46			5.20			
	HB 882	37.27	47			7.30			

* Footed, standard inch shaft diameter, A1 mounting position, clamp collar input, 1750 rpm input speed
For motor information, please reference page QG-24.

NOMENCLATURE PAGE QG-5	DIMENSIONS PAGE QG-14	THERMAL RATINGS PAGE ILH-335	MOTOR INFORMATION PAGE QG-24
---------------------------	--------------------------	---------------------------------	---------------------------------

ILH Foot Mounted, Clamp Collar C-Face Gearmotors Premium Efficient Motor

1	1-1/2	2	3	5	7-1/2	10
56C	140TC	140TC	180TC	180TC	210TC	210TC
H3C56S02450G-1G						
	H3C14S02450G-1.5G	H3C14S02450G-2G				
	H6C14S02555G-1.5G	H6C14S02555G-2G				
			H6C18S02555G-3G	H6C18S02555G-5G		
					H6C21S02555G-7.5G	
					H8C21S02261G-7.5G	H8C21S02261G-10G
H3C56S02797G-1G						
H4C56S02653G-1G						
H4C56S02874G-1G						
	H3C14S02797G-1.5G					
	H4C14S02653G-1.5G	H4C14S02653G-2G				
	H4C14S02874G-1.5G	H4C14S02874G-2G				
			H4C18S02653G-3G			
			H4C18S02874G-3G			
			H6C18S02825G-3G	H6C18S02825G-5G		
			H8C18S02685G-3G	H8C18S02685G-5G		
					H8C21S02685G-7.5G	H8C21S02685G-10G
H3C56S03180G-1G						
H3C56S03382G-1G						
H4C56S03177G-1G						
	H3C14S03180G-1.5G					
	H4C14S03177G-1.5G	H4C14S03177G-2G				
	H6C14S03060G-1.5G	H6C14S03060G-2G				
	H6C14S03449G-1.5G	H6C14S03449G-2G				
			H4C18S03177G-3G			
			H6C18S03060G-3G	H6C18S03060G-5G		
			H6C18S03449G-3G	H6C18S03449G-5G		
			H8C18S03132G-3G	H8C18S03132G-5G		
					H8C21S03132G-7.5G	H8C21S03132G-10G
H3C56S03928G-1G						
H4C56S03706G-1G						
	H4C14S03559G-1.5G	H4C14S03559G-2G				
	H4C14S03706G-1.5G	H4C14S03706G-2G				
	H6C14S03776G-1.5G	H6C14S03776G-2G				
			H6C18S03780G-3G	H6C18S03780G-5G		
			H8C18S03727G-3G	H8C18S03727G-5G		

NOMENCLATURE PAGE QG-5	DIMENSIONS PAGE QG-14	THERMAL RATINGS PAGE ILH-335	MOTOR INFORMATION PAGE QG-24
---------------------------	--------------------------	---------------------------------	---------------------------------

ILH Foot Mounted, Clamp Collar C-Face Gearmotors Premium Efficient Motor

RPM Range	Size	Ratio	Output RPM	Mechanical Input HP (Max.)				1/2	3/4
				56C	140TC	180TC	210TC	56C	56C
38 - 42 RPM	HB 383	42.53	41	1.27				H3C56S04253G-.5G	H3C56S04253G-.75G
	HB 482	41.26	42	1.12				H4C56S04126G-.5G	H4C56S04126G-.75G
	HB 483	45.91	38	2.02				H4C56S04591G-.5G	H4C56S04591G-.75G
	HB 482	41.26	42		2.68				
	HB 483	41.38	42		2.67				
	HB 483	45.91	38		2.41				
	HB 682	42.06	42		3.29				
	HB 682	42.06	42			4.67			
	HB 683	45.41	39			4.33			
HB 883	41.19	43			10.02				
30 - 36 RPM	HB 383	58.30	30	.93				H3C56S05830G-.5G	H3C56S05830G-.75G
	HB 483	55.92	31	1.98				H4C56S05592G-.5G	H4C56S05592G-.75G
	HB 483	55.92	31		1.98				
	HB 682	48.09	36		3.04				
	HB 683	53.47	33		3.68				
	HB 883	57.93	30			7.13			
23-29 RPM	HB 483	61.14	29	1.81				H4C56S06114G-.5G	H4C56S06114G-.75G
	HB 483	73.99	24	1.49				H4C56S07399G-.5G	H4C56S07399G-.75G
	HB 683	59.91	29		3.28				
	HB 683	73.30	24		2.68				
	HB 883	74.88	23		5.00				
13 - 17 RPM	HB 483	102.52	17	1.08				H4C56S10252G-.5G	H4C56S10252G-.75G
	HB 483	132.34	13	.84				H4C56S13234G-.5G	H4C56S13234G-.75G
	HB 683	126.41	14	1.56				H6C56S12641G-.5G	H6C56S12641G-.75G
	HB 883	129.79	14				3.18		

* Footed, standard inch shaft diameter, A1 mounting position, clamp collar input, 1750 rpm input speed
For motor information, please reference page QG-24.

NOMENCLATURE PAGE QG-5	DIMENSIONS PAGE QG-14	THERMAL RATINGS PAGE ILH-335	MOTOR INFORMATION PAGE QG-24
---------------------------	--------------------------	---------------------------------	---------------------------------

SELECTION



ILH Foot Mounted, Clamp Collar C-Face Gearmotors Premium Efficient Motor

1 56C	1-1/2 140TC	2 140TC	3 180TC	5 180TC	7-1/2 210TC	10 210TC
H3C56S04253G-1G						
H4C56S04126G-1G						
H4C56S04591G-1G						
	H4C14S04126G-1.5G	H4C14S04126G-2G				
	H4C14S04138G-1.5G	H4C14S04138G-2G				
	H4C14S04591G-1.5G	H4C14S04591G-2G				
	H6C14S04206G-1.5G	H6C14S04206G-2G				
			H6C18S04206G-3G			
			H6C18S04541G-3G			
			H8C18S04119G-3G	H8C18S04119G-5G		
H4C56S05592G-1G						
	H4C14S05592G-1.5G					
	H6C14S04809G-1.5G	H6C14S04809G-2G				
	H6C14S05347G-1.5G	H6C14S05347G-2G				
			H8C18S05793G-3G	H8C18S05793G-5G		
H4C56S06114G-1G						
H4C56S07399G-1G						
	H6C14S05991G-1.5G	H6C14S05991G-2G				
	H6C14S07330G-1.5G	H6C14S07330G-2G				
	H8C14S07488G-1.5G	H8C14S07488G-2G				
H4C56S10252G-1G						
H6C56S12641G-1G						
			H8C18S12979G-3G			

NOMENCLATURE
PAGE QG-5

DIMENSIONS
PAGE QG-14

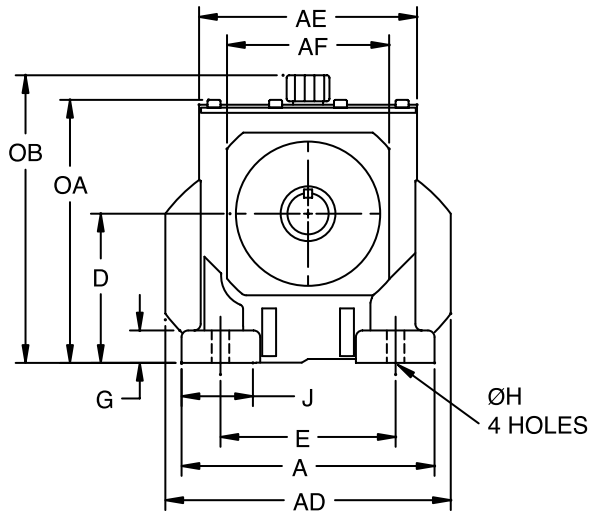
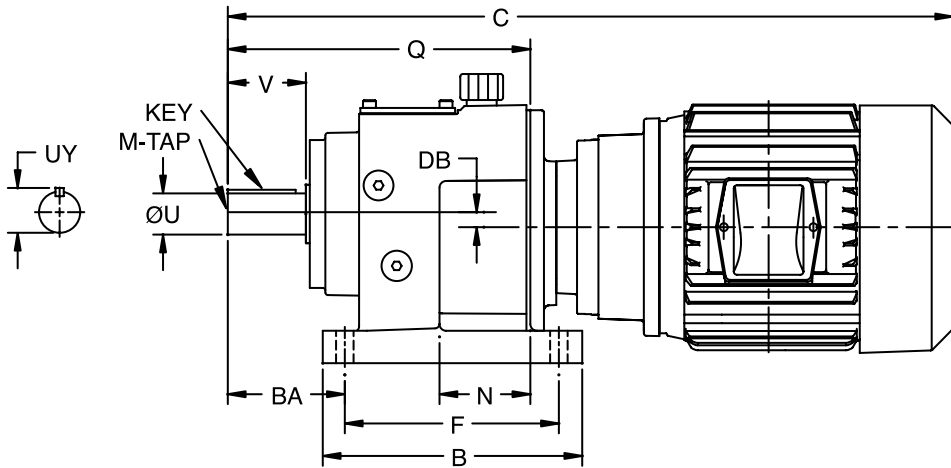
THERMAL RATINGS
PAGE ILH-335

MOTOR INFORMATION
PAGE QG-24

DIMENSIONS



ILH Foot Mounted, Clamp Collar C-Face Gearmotors



NOMENCLATURE
PAGE QG-5

MOUNTING POSITIONS
PAGE ILH-7

SELECTION-C-FACE GEARMOTOR
PAGE QG-6

MOTOR INFORMATION
PAGE QG-24

DIMENSIONS



ILH Foot Mounted, Clamp Collar C-Face Gearmotors

Size	Frame Size	A	B	C *	D	E	F	G	ØH	J	N	Q	V	AD	AE	AF	BA
HB38	56C	5.77	6.30	22.72	3.54	4.33	5.12	0.79	0.39	1.33	2.33	7.48	1.97	6.42	5.07	3.77	2.95
	140TC			24.26													
	180TC			27.11													
HB48	56C	7.68	7.87	24.27	4.53	5.32	6.50	0.98	0.53	2.17	2.76	9.17	2.36	8.66	6.61	4.92	3.54
	140TC			25.82													
	180TC			29.84													
HB68	56C	9.25	9.65	26.30	5.51	6.69	8.07	1.18	0.69	2.36	3.27	11.38	3.15	10.35	8.14	6.32	4.53
	140TC			27.85													
	180TC			32.54													
	210TC			34.32													
HB88	140TC	11.42	12.21	30.54	7.09	8.47	10.24	1.77	0.69	2.95	4.26	14.41	3.94	13.07	10.24	7.87	5.52
	180TC			35.18													
	210TC			36.62													

Size	DB	OA	OB	ØU	UY	KEY	M-TAP
HB38	0	6.21	N/A	1.000	1.11	1/4 x 1/4 x 1-5/8	3/8-16 UNC x 0.87
HB48	0	7.98	8.73	1.250	1.36	1/4 x 1/4 x 2	3/8-16 UNC x 0.87
HB68	0	9.65	10.58	1.625	1.79	3/8 x 3/8 x 2-5/8	5/8-11 UNC x 1.42
HB88	0	12.21	13.17	2.125	2.35	1/2 x 1/2 x 3-1/4	3/4-10 UNC x 1.65

* Actual C dimension depends on exact motor used.

NOMENCLATURE PAGE QG-5	MOUNTING POSITIONS PAGE ILH-7	SELECTION-C-FACE GEARMOTOR PAGE QG-6	MOTOR INFORMATION PAGE QG-24
---------------------------	----------------------------------	---	---------------------------------

RHB Foot Mounted, Clamp Collar C-Face Gearmotors Solid Output Shaft Premium Efficient Motor

RPM Range	Size	Ratio	Output RPM	Mechanical Input HP (Max)				1/2	3/4
				56C	140TC	180TC	210TC	56C	56C
242 - 316 RPM	BB38	5.65	310	2.02				B3C56S00565G-.5G	B3C56S00565G-.75G
	BB38	5.65	310		5.00				
	BB38	5.65	310			5.60			
	BB48	7.22	242			9.90			
	BB68	6.44	272			10.36			
97 - 125 RPM	BB88	5.54	316				26.94		
	BB38	15.91	110	2.02				B3C56S01591G-.5G	B3C56S01591G-.75G
	BB38	17.99	97		3.41				
	BB48	15.42	114			7.17			
44 - 63 RPM	BB88	14.04	125				24.94		
	BB38	31.59	55	1.94				B3C56S03159G-.5G	B3C56S03159G-.75G
	BB48	28.90	61		3.83				
	BB68	39.39	44		5.01				
	BB68	27.99	63			7.20			
29 - 34 RPM	BB88	28.50	61				14.24		
	BB48	54.49	32	2.02				B4C56S05449G-.5G	B4C56S05449G-.75G
	BB48	60.08	29		1.84				
	BB68	58.23	30		3.46				
20 - 23 RPM	BB88	58.37	30			6.95			
	BB48	83.25	21	1.33				B4C56S08325G-.5G	B4C56S08325G-.75G
	BB68	83.40	21		2.42				
	BB88	84.21	21		4.82				
	BB88	75.45	23			5.38			
12 - 18 RPM	BB88	84.21	21			4.82			
	BB68	99.55	18	1.97				B6C56S09955G-.5G	B6C56S09955G-.75G
	BB68	150.98	12	1.34				B6C56S15098G-.5G	B6C56S15098G-.75G
	BB88	103.38	17		3.92				
	BB88	120.42	15		3.37				
6 - 9 RPM	BB88	144.58	12		2.81				
	BB68	243.72	7	0.83				B6C56S24372G-.5G	B6C56S24372G-.75G
	BB88	193.24	9	1.58				B8C56S19324G-.5G	B8C56S19324G-.75G
	BB88	302.68	6	1.07				B8C56S30268G-.5G	B8C56S30268G-.75G

* Standard inch shaft diameter, output shaft position A, A1 mounting position, 1750 rpm input speed
For motor information, please reference page QG-24.

NOMENCLATURE PAGE QG-5	DIMENSIONS PAGE QG-18	THERMAL RATINGS PAGE RHB-364	MOTOR INFORMATION PAGE QG-24
---------------------------	--------------------------	---------------------------------	---------------------------------

SELECTION



RHB Foot Mounted, Clamp Collar C-Face Gearmotors Solid Output Shaft Premium Efficient Motor

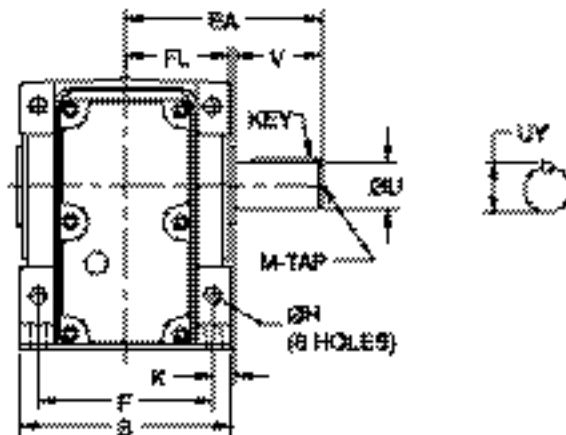
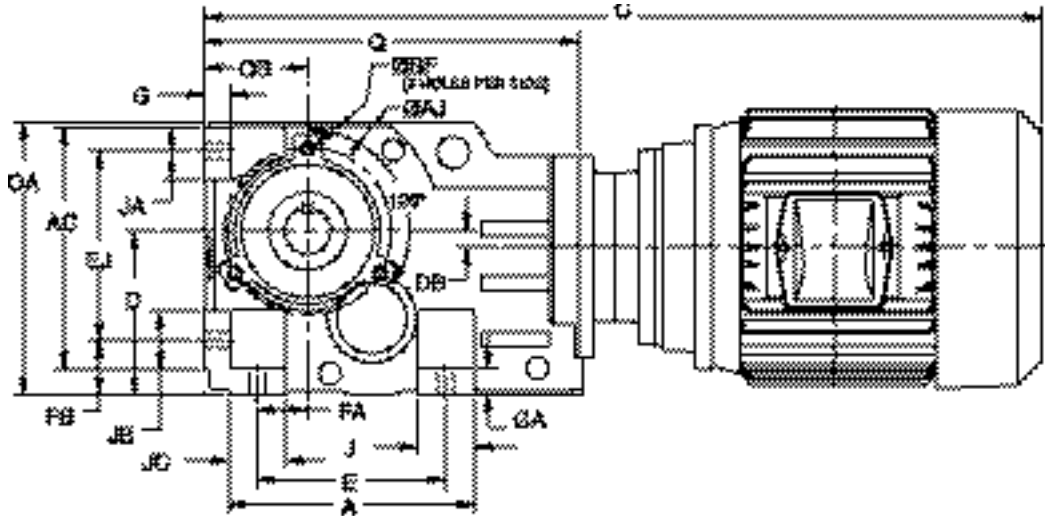
1	1-1/2	2	3	5	7-1/2	10
56C	140TC	140TC	180TC	180TC	210TC	210TC
B3C56S00565G-1G	B3C14S00565G-1.5G	B3C14S00565G-2G	B3C18S00565G-3G	B3C18S00565G-5G		
			B4C18S00722G-3G	B4C18S00722G-5G		
			B6C18S00644G-3G	B6C18S00644G-5G		
					B8C21S00554G-7.5G	B8C21S00554G-10G
B3C56S01591G-1G	B3C14S01799G-1.5G	B3C14S01799G-2G	B4C18S01542G-3G	B4C18S01542G-5G		
					B8C21S01404G-7.5G	B8C21S01404G-10G
B3C56S03159G-1G	B4C14S02890G-1.5G	B4C14S02890G-2G				
	B6C14S03939G-1.5G	B6C14S03939G-2G				
			B6C18S02799G-3G	B6C18S02799G-5G		
					B8C21S02850G-7.5G	B8C21S02850G-10G
B4C56S05449G-1G	B4C14S06008G-1.5G					
	B6C14S05823G-1.5G	B6C14S05823G-2G				
			B8C18S05837G-3G	B8C18S05837G-5G		
B4C56S08325G-1G	B6C14S08340G-1.5G	B6C14S08340G-2G				
	B8C14S08421G-1.5G	B8C14S08421G-2G				
			B8C18S07545G-3G	B8C18S07545G-5G		
			B8C18S08421G-3G			
B6C56S09955G-1G						
B6C56S15098G-1G	B8C14S10338G-1.5G	B8C14S10338G-2G				
	B8C14S12042G-1.5G	B8C14S12042G-2G				
	B8C14S14458G-1.5G	B8C14S14458G-2G				
B8C56S19324G-1G						
B8C56S30268G-1G						

NOMENCLATURE PAGE QG-5	DIMENSIONS PAGE QG-18	THERMAL RATINGS PAGE RHB-364	MOTOR INFORMATION PAGE QG-24
---------------------------	--------------------------	---------------------------------	---------------------------------

DIMENSIONS



RHB Foot Mounted, Clamp Collar C-Face Gearmotors - Solid Output Shaft



NOMENCLATURE
PAGE QG-5

MOUNTING POSITIONS
PGE RHB-11

SELECTION-C-FACE GEARMOTORS
PAGE QG-16

MOTOR INFORMATION
PAGE QG-24

DIMENSIONS



RHB Foot Mounted, Clamp Collar C-Face Gearmotors - Solid Output Shaft

Size	Frame Size	A	B	C *	D	E	F	G	ØH	J	K	Q	V	AC	ØAJ	ØBF	DB
BB38	56C	5.55	4.72	23.58	3.94	4.33	3.94	0.63	0.43	1.26	0.39	8.94	1.97	5.79	3.94	M8 x .55 DEEP	0.37
	140TC			25.13													
	180TC			28.57													
BB48	56C	6.65	5.71	24.76	4.41	5.12	4.72	0.71	0.43	1.58	0.59	10.12	2.36	6.54	4.53	M10 x .66 DEEP	0.43
	140TC			26.31													
	180TC			29.75													
BB68	56C	6.69	6.69	26.64	5.51	4.72	5.51	0.87	0.53	1.97	0.79	12.21	3.15	8.19	5.12	M12 x .82 DEEP	0.26
	140TC			28.19													
	180TC			32.88													
BB88	56C	8.07	7.87	28.91	7.09	5.91	6.50	0.98	0.71	2.17	0.89	14.72	3.94	10.31	6.50	M12 x .82 DEEP	0.79
	140TC			30.46													
	180TC			35.08													
	210TC			37.66													

Size	EA	EJ	FA	FB	FL	GA	JA	JB	JC	OA	QB	ØU	UY	KEY	M-TAP
BB38	4.33	4.53	1.10	1.26	2.28	0.63	1.22	1.30	1.38	6.58	2.48	1.000	1.11	1/4 x 1/4 x 1-5/8	3/8-16 UNC x 0.87
BB48	5.31	5.12	1.38	1.46	2.80	0.71	1.42	1.58	1.54	7.36	2.80	1.250	1.37	1/4 x 1/4 x 1-7/8	3/8-16 UNC x 0.87
BB68	6.69	6.30	1.18	1.77	3.39	0.87	1.89	1.97	1.97	9.09	3.54	1.625	1.80	3/8 x 3/8 x 2-5/8	5/8-11 UNC x 1.42
BB88	8.07	7.87	1.58	2.17	3.94	0.98	2.56	2.17	2.17	11.61	4.41	2.000	2.22	1/2 x 1/2 x 3-1/4	5/8-11 UNC x 1.42

* Actual C dimension depends on exact motor used.

NOMENCLATURE PAGE QG-5	MOUNTING POSITIONS PGE RHB-11	SELECTION-C-FACE GEARMOTORS PAGE QG-16	MOTOR INFORMATION PAGE QG-24
---------------------------	----------------------------------	---	---------------------------------

SELECTION



RHB Flange Mounted, Clamp Collar C-Face Gearmotors Twin Tapered Bushed** Premium Efficient Motor

RPM Range	Size	Ratio	Output RPM	Mechanical Input HP (Max)				1/2	3/4
				56C	140TC	180TC	210TC	56C	56C
242 - 316 RPM	BF38	5.65	310	2.02				BF3C56T00565G-.5G	BF3C56T00565G-.75G
	BF38	5.65	310		5.00				
	BF38	5.65	310			5.60			
	BF48	7.22	242			9.90			
	BF68	6.44	272			10.36			
	BF88	5.54	316				26.94		
97 - 125 RPM	BF38	15.91	110	2.02				BF3C56T01591G-.5G	BF3C56T01591G-.75G
	BF38	17.99	97		3.41				
	BF48	15.42	114			7.17			
	BF88	14.04	125				24.94		
44 - 63 RPM	BF38	31.59	55	1.94				BF3C56T03159G-.5G	BF3C56T03159G-.75G
	BF48	28.90	61		3.83				
	BF68	39.39	44		5.01				
	BF68	27.99	63			7.20			
	BF88	28.50	61				14.24		
29 - 34 RPM	BF48	54.49	32	2.02				BF4C56T05449G-.5G	BF4C56T05449G-.75G
	BF48	60.08	29		1.84				
	BF68	58.23	30		3.46				
	BF88	58.37	30			6.95			
20 - 23 RPM	BF48	83.25	21	1.33				BF4C56T08325G-.5G	BF4C56T08325G-.75G
	BF68	83.40	21		2.42				
	BF88	84.21	21		4.82				
	BF88	75.45	23			5.38			
	BF88	84.21	21			4.82			
12 - 18 RPM	BF68	99.55	18	1.97				BF6C56T09955G-.5G	BF6C56T09955G-.75G
	BF68	150.98	12	1.34				BF6C56T15098G-.5G	BF6C56T15098G-.75G
	BF88	103.38	17		3.92				
	BF88	120.42	15		3.37				
	BF88	144.58	12		2.81				
6 - 9 RPM	BF68	243.72	7	0.83				BF6C56T24372G-.5G	BF6C56T24372G-.75G
	BF88	193.24	9	1.58				BF8C56T19324G-.5G	BF8C56T19324G-.75G
	BF88	302.68	6	1.07				BF8C56T30268G-.5G	BF8C56T30268G-.75G

* Twin Tapered hollow output bore, A1 mounting position, 1750 rpm input speed

** Twin Tapered Bushings need to be ordered separately.

For motor information, please reference page QG-24.

For bushing information, please reference pages RHB-350 - RHB-357.

NOMENCLATURE PAGE QG-5	DIMENSIONS PAGE QG-22	THERMAL RATINGS PAGE RHB-364	MOTOR INFORMATION PAGE QG-24
---------------------------	--------------------------	---------------------------------	---------------------------------

SELECTION



RHB Flange Mounted, Clamp Collar C-Face Gearmotors Twin Tapered Bushed** Premium Efficient Motor

1	1-1/2	2	3	5	7-1/2	10
56C	140TC	140TC	180TC	180TC	210TC	210TC
BF3C56T00565G-1G	BF3C14T00565G-1.5G	BF3C14T00565G-2G				
			BF3C18T00565G-3G	BF3C18T00565G-5G		
			BF4C18T00722G-3G	BF4C18T00722G-5G		
			BF6C18T00644G-3G	BF6C18T00644G-5G		
					BF8C21T00554G-7.5G	BF8C21T00554G-10G
BF3C56T01591G-1G	BF3C14T01799G-1.5G	BF3C14T01799G-2G				
			BF4C18T01542G-3G	BF4C18T01542G-5G		
					BF8C21T01404G-7.5G	BF8C21T01404G-10G
BF3C56T03159G-1G	BF4C14T02890G-1.5G	BF4C14T02890G-2G				
	BF6C14T03939G-1.5G	BF6C14T03939G-2G				
			BF6C18T02799G-3G	BF6C18T02799G-5G		
					BF8C21T02850G-7.5G	BF8C21T02850G-10G
BF4C56T05449G-1G	BF4C14T06008G-1.5G					
	BF6C14T05823G-1.5G	BF6C14T05823G-2G				
			BF8C18T05837G-3G	BF8C18T05837G-5G		
BF4C56T08325G-1G	BF6C14T08340G-1.5G	BF6C14T08340G-2G				
	BF8C14T08421G-1.5G	BF8C14T08421G-2G				
			BF8C18T07545G-3G	BF8C18T07545G-5G		
			BF8C18T08421G-3G			
BF6C56T09955G-1G						
BF6C56T15098G-1G	BF8C14T10338G-1.5G	BF8C14T10338G-2G				
	BF8C14T12042G-1.5G	BF8C14T12042G-2G				
	BF8C14T14458G-1.5G	BF8C14T14458G-2G				
BF8C56T19324G-1G						
BF8C56T30268G-1G						

QUANTIS

QUANTIS GOLD

ILH

RHB

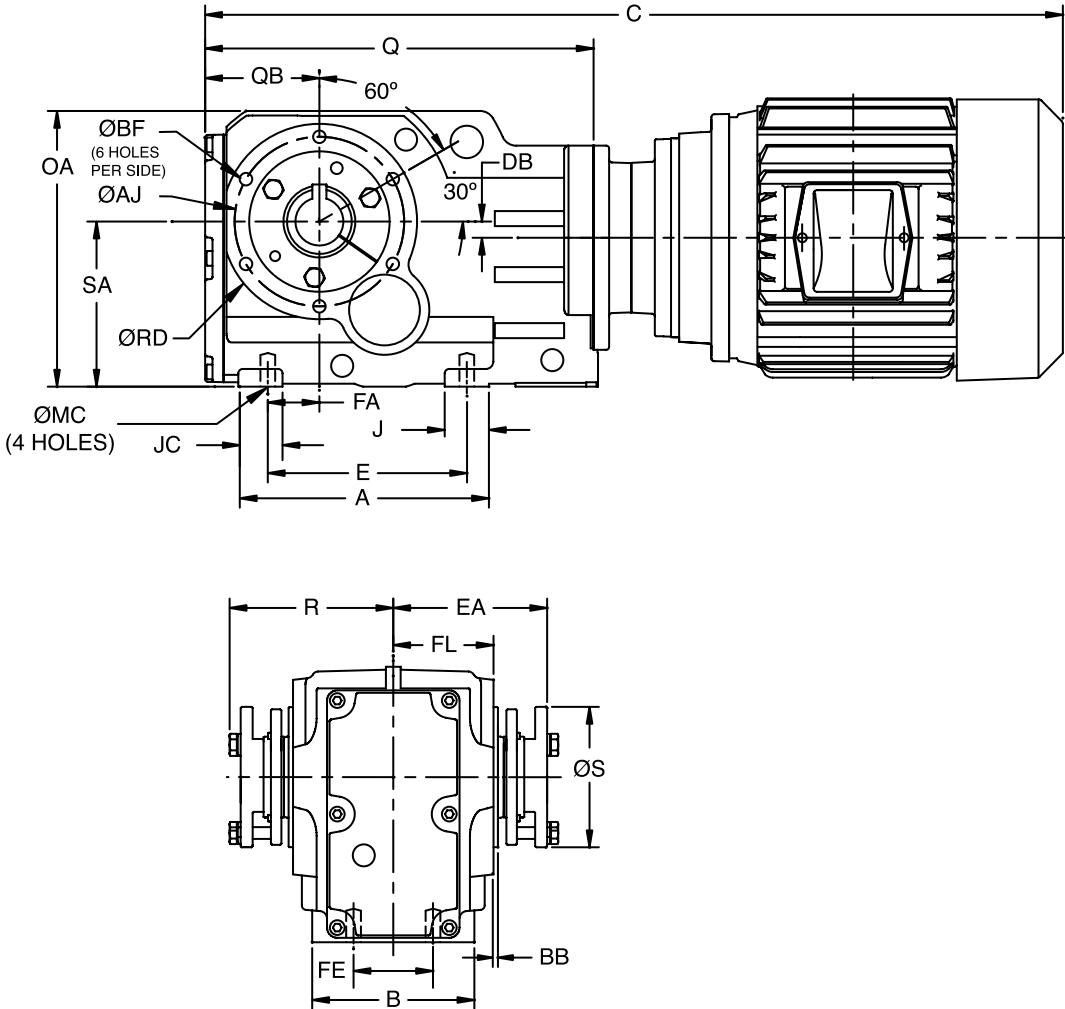
M5M

NOMENCLATURE PAGE QG-5	DIMENSIONS PAGE QG-22	THERMAL RATINGS PAGE RHB-364	MOTOR INFORMATION PAGE QG-24
---------------------------	--------------------------	---------------------------------	---------------------------------

DIMENSIONS



RHB Flange Mounted, Clamp Collar C-Face Gearmotors Twin Tapered Bushed



NOMENCLATURE
PAGE QG-5

MOUNTING POSITIONS
PAGE RHB-11

SELECTION-C-FACE GEARMOTORS
PAGE QG-20

MOTOR INFORMATION
PAGE QG-24

DIMENSIONS



RHB Flange Mounted, Clamp Collar C-Face Gearmotors Twin Tapered Bushed

Size	Frame Size	A	B	C *	E	J	Q	R	ØS	ØAJ	BB	ØBF	DB	EA	FA	FE	FL
BF38	56C	5.89	3.94	23.85	4.61	1.29	9.21	3.78	2.91	3.94	0.12	M8 x .55 DEEP	0.37	3.49	1.38	2.36	2.13
	140TC			25.40													
	180TC			28.84													
BF48	56C	6.89	4.33	25.01	5.51	1.18	10.37	4.39	3.75	4.53	0.12	M10 x .66 DEEP	0.43	4.10	1.58	2.76	2.68
	140TC			26.56													
	180TC			30.00													
BF68	56C	7.95	5.51	26.58	5.98	1.97	12.15	5.16	3.96	5.12	0.14	M12 x .82 DEEP	0.26	4.87	1.65	3.46	3.25
	140TC			28.13													
	180TC			32.82													
BF88	56C	8.86	6.69	28.83	6.69	2.17	14.64	5.79	4.88	6.50	0.14	M12 x .82 DEEP	0.79	5.44	1.89	4.53	3.80
	140TC			30.88													
	180TC			35.00													
	210TC			37.58													

Size	JC	ØMC	ØA	ØB	ØRD	SA
BF38	1.26	M10 x .67 DEEP	6.58	2.76	3.15	3.94
BF48	1.18	M10 x .67 DEEP	7.36	3.05	3.74	4.41
BF68	1.97	M12 x .83 DEEP	9.09	3.48	4.33	5.51
BF88	2.17	M16 x 1.02 DEEP	11.61	4.33	5.12	7.09

* Actual C dimension depends on exact motor used.

NOMENCLATURE PAGE QG-5	MOUNTING POSITIONS PAGE RHB-11	SELECTION-C-FACE GEARMOTORS PAGE QG-20	MOTOR INFORMATION PAGE QG-24
---------------------------	-----------------------------------	---	---------------------------------

MOTOR INFORMATION



QUANTIS

QUANTIS GOLD

ILH

RHB

MSM

QUANTIS ILH and RHB C-Face Gearmotors

Baldor PREMIUM Efficient Super-E Motor Information

HP	Synchronous RPM	Voltage	Frame	Enclosure	Construction	Part Number
1/2	1800	208-230/460	56C	TEFC	Rolled Steel	VEM3538
3/4	1800	208-230/460	56C	TEFC	Rolled Steel	VEM3542
1	1800	208-230/460	56C	TEFC	Rolled Steel	VEM3546
1-1/2	1800	208-230/460	145TC	TEFC	Rolled Steel	VEM3554T
2	1800	208-230/460	145TC	TEFC	Rolled Steel	VEM3558T
3	1800	208-230/460	182TC	TEFC	Rolled Steel	VEM3611T
5	1800	230/460	184TC	TEFC	Rolled Steel	VEM3615T
7-1/2	1800	230/460	213TC	TEFC	Cast Iron	VEM3770T
10	1800	230/460	215TC	TEFC	Cast Iron	VEM3774T

FEATURES/BENEFITS
PAGE QG-3

NOMENCLATURE
PAGE QG-5

SELECTION-C-FACE GEARMOTORS
PAGE QG-6

DIMENSIONS
PAGE QG-14

QUANTIS - ILH

Mounting Options	ILH-2
Nomenclature	ILH-4
Mounting Positions and Oil Quantities	ILH-7
Overhung Loads.	ILH-11
Selection - Reducer - 60 Hz	
ILH 38	ILH-13
ILH 48	ILH-20
ILH 68	ILH-28
ILH 88	ILH-37
ILH 108	ILH-45
ILH 128	ILH-51
ILH 148	ILH-57
ILH 168	ILH-62
Stock/Non-Stock Part Numbers	ILH-67
Selection - Integral Gearmotor - 60 HZ	ILH-78
Dimension	
ILH 38	ILH-118
ILH 48	ILH-158
ILH 68	ILH-198
ILH 88	ILH-238
ILH 108	ILH-270
ILH 128	ILH-286
ILH 148	ILH-302
ILH 168	ILH-318
Slide Base	ILH-334
Thermal Ratings	ILH-335
Weights	ILH-343
Part Number Index	Index-1

MOUNTING OPTIONS

ILH MOUNTING OPTIONS

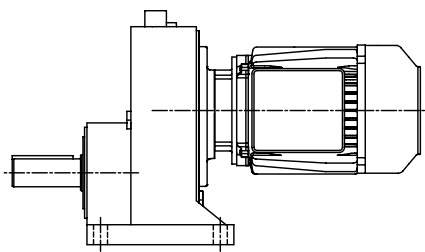
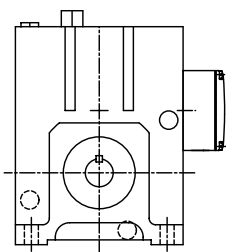
QUANTIS

QUANTIS GOLD

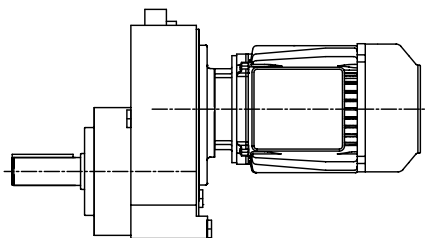
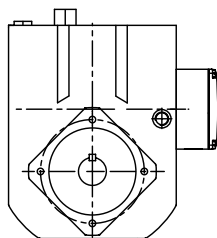
ILH

RHB

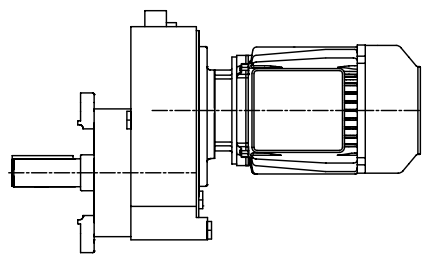
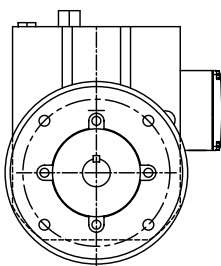
MSM



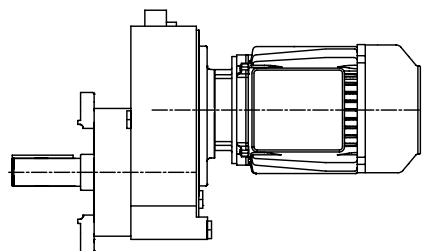
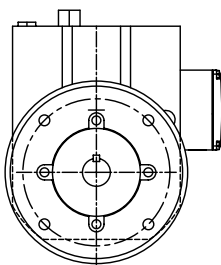
HB..1../.S..
 In-Line Helical
 Foot Mounted
 Single Reduction
 Solid Shaft



HF..1../.S..B14
 In-Line Helical
 B14 Flange Mounted
 Single Reduction
 Solid Shaft



HF..1../.S..B5
 In-Line Helical
 B5 Flange Mounted
 Single Reduction
 Solid Shaft

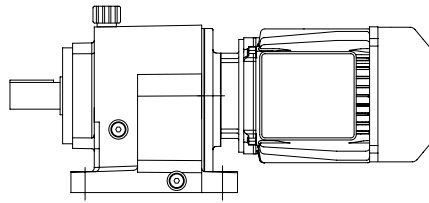
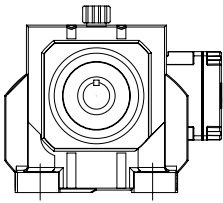


HF..1../.S..NEMA
 In-Line Helical
 NEMA Output Flange Mounted
 Single Reduction
 Solid Shaft

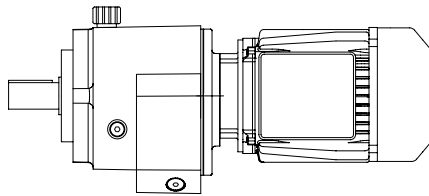
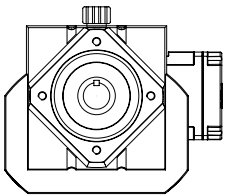
MOUNTING OPTIONS



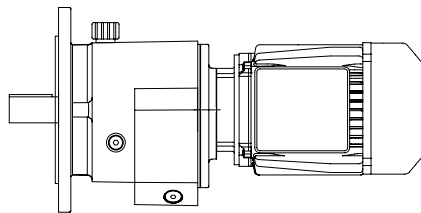
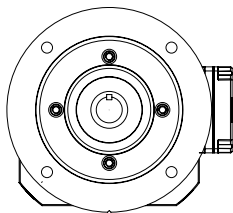
ILH MOUNTING OPTIONS



HB . . 2/3 . . / . . S . .
In-Line Helical
Foot Mounted
Double/Triple Reduction
Solid Shaft



HF . . 2/3 . . / . . S . . B14
In-Line Helical
B14 Flange Mounted
Double/Triple Reduction
Solid Shaft



HF . . 2/3 . . / . . S . . B5
In-Line Helical
B5 Flange Mounted
Double/Triple Reduction
Solid Shaft

QUANTIS

QUANTIS GOLD

ILH

RHB

MSM

MOUNTING POSITIONS PAGE ILH-6	SELECTION GEARMOTOR PAGE ILH-74	DIMENSIONS PAGE ILH-114	THERMAL RATINGS PAGE ILH-331
----------------------------------	------------------------------------	----------------------------	---------------------------------

IN-LINE HELICAL C-FACE REDUCERS (ILH)

Ex:

1	2	3	4	5	6	7
H	B	88	2	C	N	180TC

 /

8	9	10	10a	10b	11	11a
20.81	A1	S	I	2.125	-	-

1. PRODUCT TYPE

H = ILH

2. OUTPUT CONFIGURATION

B = Foot Mounted

F = Flange Mounted

3. UNIT SIZE

38	48	68	88
108	128	148	168

4. STAGE OF REDUCTION

1 = Single Reduction

2 = Double Reduction

3 = Triple Reduction

5. INPUT CONFIGURATION

C = Clamp Collar

L = 3 Pc Coupling

6. MOTOR TYPE

N = Nema

I = IEC

7. MOTOR FRAME

Nema

56C	140TC	180TC	210TC
250TC	280TC	320TC	360TC

IEC

71D	80D	90D	100D	112D	132D
160D	180D	200D	225D	250D	

8. RATIO (Use actual ratio from Selection pages)

ILH 38	1.59	-	191.75
ILH 48	1.52	-	208.77
ILH 68	1.41	-	281.01
ILH 88	1.71	-	300.41
ILH 108	5.51	-	359.30
ILH 128	3.63	-	268.16
ILH 148	4.92	-	336.11
ILH 168	4.93	-	341.61

9. MOUNTING POSITIONS (See page ILH-7)

A1	A2	A3
A4	A5	A6

10. OUTPUT SHAFT TYPE

S = Single Extension Solid Shaft

10a. OUTPUT SHAFT DIMENSION

I = Inch

M = Metric

10b. OUTPUT SHAFT DIAMETER - Double/Triple Reduction

	Std	Optional		
ILH 38	1.000	1.250	25mm	30mm
ILH 48	1.250	1.625	30mm	40mm
ILH 68	1.625	2.125	40mm	50mm

10b. OUTPUT SHAFT DIAMETER - Double/Triple Reduction (continued)

	Std	Optional		
ILH 88	2.125	2.375	50mm	60mm
ILH 108	2.375	2.875	60mm	70mm
ILH 128	2.875	3.625	70mm	90mm
ILH 148	3.625	4.000	90mm	100mm
ILH 168	4.000	4.750	100mm	120mm

OUTPUT SHAFT DIAMETER - Single Reduction

	Std	Optional
ILH 38	0.875	20mm
ILH 48	1.125	25mm
ILH 68	1.375	30mm
ILH 88	1.625	40mm

11. OUTPUT FLANGE TYPE (HF Style Housing)

B5
B14 (Std)
NEMA (Single Reduction)

11a. OUTPUT FLANGE DIAMETER - Double/Triple Reduction

	Std	Optional
	B14 Flange	B5 Flange
ILH 38	120mm	160mm
		200mm
ILH 48	160mm	200mm
		250mm
ILH 68	190mm	250mm
		300mm
ILH 88	245mm	300mm
		350mm
ILH 108	300mm	350mm
		450mm
ILH 128	340mm	350mm
		450mm
ILH 148	340mm	450mm
		550mm
ILH 168	400mm	450mm
		550mm

OUTPUT FLANGE DIAMETER - Single Reduction

	Std	Optional	
	B14 Flange	B5 Flange	NEMA Flange
ILH 38	120mm	160mm	140TC
		200mm	
ILH 48	120mm	160mm	180TC
		200mm	
ILH 68	160mm	200mm	210TC
		250mm	
ILH 88	190mm	250mm	-
		300mm	

MOUNTING POSITIONS PAGE ILH-7	SELECTION REDUCER PAGE ILH-14	DIMENSIONS PAGE ILH-118	THERMAL RATINGS PAGE ILH-335
----------------------------------	----------------------------------	----------------------------	---------------------------------

IN-LINE HELICAL SEPARATE REDUCERS (ILH)

Ex:

1	2	3	4	5	6	7
H	F	38	2	S	I	71

 /

8	9	10	10a	10b	11	11a
4.77	A1	S	I	1.000	B5	160MM

1. PRODUCT TYPE

H = ILH

2. OUTPUT CONFIGURATION

B = Foot Mounted

F = Flange Mounted

3. UNIT SIZE

38 48 68 88
108 128 148 168

4. STAGE OF REDUCTION

1 = Single Reduction

2 = Double Reduction

3 = Triple Reduction

5. INPUT CONFIGURATION

S = Separate

6. INPUT SHAFT DIMENSION

I = Inch

M = Metric

7. SEPARATE GROUP

71 80 90 100 112
132 160 180 225 250

8. RATIO (Use actual ratio from Selection pages)

ILH 38	1.59	-	191.75
ILH 48	1.52	-	208.77
ILH 68	1.41	-	281.01
ILH 88	1.71	-	300.41
ILH 108	5.51	-	359.30
ILH 128	3.63	-	268.16
ILH 148	4.92	-	336.11
ILH 168	4.93	-	341.61

9. MOUNTING POSITIONS (See page ILH-7)

A1	A2	A3
A4	A5	A6

10. OUTPUT SHAFT TYPE

S = Single Extension Solid Shaft

10a. OUTPUT SHAFT DIMENSION

I = Inch

M = Metric

10b. OUTPUT SHAFT DIAMETER - Double/Triple Reduction

	Std	Optional		
ILH 38	1.000	1.250	25mm	30mm
ILH 48	1.250	1.625	30mm	40mm
ILH 68	1.625	2.125	40mm	50mm
ILH 88	2.125	2.375	50mm	60mm
ILH 108	2.375	2.875	60mm	70mm
ILH 128	2.875	3.625	70mm	90mm
ILH 148	3.625	4.000	90mm	100mm
ILH 168	4.000	4.750	100mm	120mm

OUTPUT SHAFT DIAMETER - Single Reduction

	Std	Optional
ILH 38	0.875	20mm
ILH 48	1.125	25mm
ILH 68	1.375	30mm
ILH 88	1.625	40mm

11. OUTPUT FLANGE TYPE (HF Style Housing)

B5

B14 (Std)

NEMA (Single Reduction)

11a. OUTPUT FLANGE DIAMETER - Double/Triple Reduction

	Std	Optional	
	B14 Flange	B5 Flange	NEMA Flange
ILH 38	120mm	160mm	140TC
ILH 48	160mm	200mm	180TC
ILH 68	190mm	250mm	210TC
ILH 88	245mm	300mm	-
ILH 108	300mm	350mm	-
ILH 128	340mm	450mm	-
ILH 148	340mm	550mm	-
ILH 168	400mm	550mm	-

OUTPUT FLANGE DIAMETER - Single Reduction

	Std	Optional	
	B14 Flange	B5 Flange	NEMA Flange
ILH 38	120mm	160mm	140TC
ILH 48	120mm	200mm	180TC
ILH 68	160mm	200mm	210TC
ILH 88	190mm	250mm	-
		300mm	-

MOUNTING POSITIONS PAGE ILH-7	SELECTION REDUCER PAGE ILH-14	DIMENSIONS PAGE ILH-118	THERMAL RATINGS PAGE ILH-335
----------------------------------	----------------------------------	----------------------------	---------------------------------

IN-LINE HELICAL INTEGRAL GEARMOTORS (ILH)

Ex:

1	2	3	4	5	6	7
H	B	48	2	G	H	71E4

 /

8	9	10	10a	10b	11	11a	12
31.77	A4	S	I	1.250	-	-	-

1. PRODUCT TYPE

H = ILH

2. OUTPUT CONFIGURATION

B = Foot Mounted

F = Flange Mounted

3. UNIT SIZE

38 48 68 88
108 128 148 168

4. STAGE OF REDUCTION

1 = Single Reduction

2 = Double Reduction

3 = Triple Reduction

5. INPUT CONFIGURATION

G = Integral Gearmotor

6. MOTOR TYPE

H = Horsepower

7. MOTOR FRAME

71C4	.25 Hp	90I4	2 Hp
71D4	.33 Hp	100J4	3 Hp
71E4	.50 Hp	112L4	5 Hp
80F4	.75 Hp	132M4	7.5 Hp
80G4	1 Hp	132N4	10 Hp
90H4	1.5 Hp		

8. RATIO (Use actual ratio from Selection pages)

ILH 38	1.59	- 191.75
ILH 48	1.52	- 208.77
ILH 68	1.41	- 281.01
ILH 88	1.71	- 300.41
ILH 108	5.51	- 359.30
ILH 128	3.63	- 268.16
ILH 148	4.92	- 336.11
ILH 168	4.93	- 341.61

9. MOUNTING POSITIONS (See page ILH- 7)

A1 A2 A3
A4 A5 A6

10. OUTPUT SHAFT TYPE

S = Single Extension Solid Shaft

10a. OUTPUT SHAFT DIMENSION

I = Inch

M = Metric

10b. OUTPUT SHAFT DIAMETER - Double/Triple Reduction

	Std		Optional	
ILH 38	1.000	1.250	25mm	30mm
ILH 48	1.250	1.625	30mm	40mm
ILH 68	1.625	2.125	40mm	50mm
ILH 88	2.125	2.375	50mm	60mm
ILH 108	2.375	2.875	60mm	70mm

10b. OUTPUT SHAFT DIAMETER - Double/Triple Reduction (continued)

	Std		Optional	
ILH 128	2.875	3.625	70mm	90mm
ILH 148	3.625	4.000	90mm	100mm
ILH 168	4.000	4.750	100mm	120mm

OUTPUT SHAFT DIAMETER - Single Reduction

	Std	Optional
ILH 38	0.875	20mm
ILH 48	1.125	25mm
ILH 68	1.375	30mm
ILH88	1.625	40mm

11. OUTPUT FLANGE TYPE (HF Style Housing)

B5
B14 (Std)
NEMA (Single Reduction)

11a. OUTPUT FLANGE DIAMETER - Double/Triple Reduction

	Std B14 Flange	Optional B5 Flange
ILH 38	120mm	160mm 200mm
ILH 48	160mm	200mm 250mm
ILH 68	190mm	250mm 300mm
ILH 88	245mm	300mm 350mm
ILH 108	300mm	350mm 450mm
ILH 128	340mm	350mm 450mm
ILH 148	340mm	450mm 550mm
ILH 168	400mm	450mm 550mm

OUTPUT FLANGE DIAMETER - Single Reduction

	Std B14 Flange	Optional B5 Flange	NEMA Flange
ILH 38	120mm	160mm 200mm	140TC
ILH 48	120mm	160mm 200mm	180TC
ILH 68	160mm	200mm 250mm	210TC
ILH 88	190mm	250mm 300mm	-

MOUNTING POSITIONS PAGE ILH-7	SELECTION GEARMOTOR PAGE ILH-78	DIMENSIONS PAGE ILH-118	THERMAL RATINGS PAGE ILH-335
----------------------------------	------------------------------------	----------------------------	---------------------------------

MOUNTING POSITIONS



QUANTIS

QUANTIS GOLD

ILH

RHB

MSM

IN LINE HELICAL C-FACE REDUCERS & INTEGRAL GEARMOTORS

These mounting arrangements are for all output configurations and output shaft types. **IMPORTANT!** When ordering, please specify mounting position for correct oil quantity. In cases of mounting position other than shown here with regard to the oil quantity, please reference the Incline Mounting page, QUANTIS-23, and contact Application Engineering.

NOTE: The oil volumes shown are approximate values and cannot be used to correctly set the reducer oil level - **ALWAYS** fill the reducer to the correct oil level plug and recheck in 1 week.

A1

Unit Size	Reduction Stage	Pints	Liters
38	1	0.3	0.2
	2	1.1	0.5
	3	1.1	0.5
48	1	0.5	0.3
	2	2.3	1.1
	3	2.3	1.1
68	1	1.1	0.5
	2	3.8	1.8
	3	3.6	1.7
88	1	1.6	0.8
	2	8.7	4.1
	3	8.5	4.0
108	2	14.2	6.7
	3	13.7	6.5
128	2	19.0	9.0
	3	18.4	8.7
148	2	25.8	12.2
	3	24.7	11.7
168	2	39.7	18.8
	3	38.3	18.1



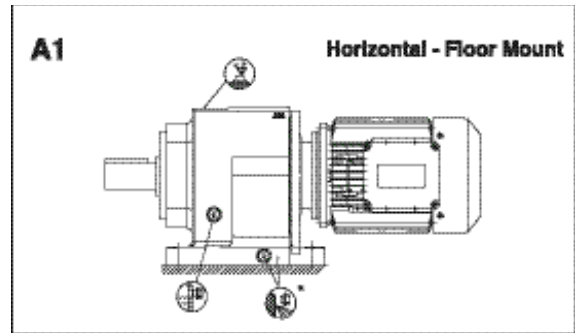
Oil level



Ventilation

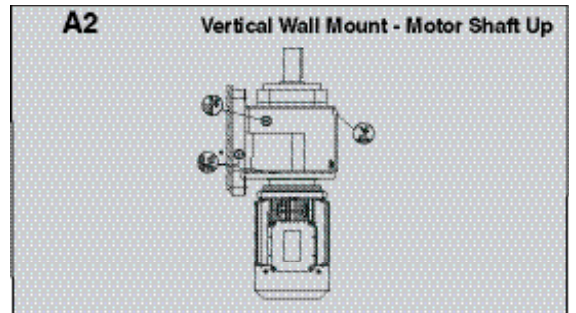


Oil drain



A2

Unit Size	Reduction Stage	Pints	Liters
38	1	1.2	0.6
	2	2.5	1.2
	3	2.3	1.1
48	1	2.2	1.1
	2	5.1	2.4
	3	5.1	2.4
68	1	3.9	1.9
	2	8.7	4.1
	3	8.5	4.0
88	1	8.0	3.8
	2	18.6	8.8
	3	18.8	8.9
108	2	29.6	14.0
	3	30.0	14.2
128	2	44.2	20.9
	3	45.8	21.5
148	2	58.5	27.7
	3	59.6	28.2
168	2	88.1	41.7
	3	92.4	43.7



ILH 38 units are sealed for life and furnished with only one plug for filling and draining.

NOTE: Shaded A2 mounting is not a recommended mounting position due to the weight of oil on the high speed input seal.

NOMENCLATURE PAGE ILH-4	OVERHUNG LOADS PAGE ILH-11	SELECTION GEARMOTOR PAGE ILH-78	WEIGHTS PAGE ILH-343
----------------------------	-------------------------------	------------------------------------	-------------------------

MOUNTING POSITIONS



IN LINE HELICAL C-FACE REDUCERS & INTEGRAL GEARMOTORS

These mounting arrangements are for all output configurations and output shaft types. **IMPORTANT! When ordering, please specify mounting position for correct oil quantity.** In cases of mounting position other than shown here with regard to the oil quantity, please reference the Incline Mounting page, QUANTIS-23, and contact Application Engineering.

NOTE: The oil volumes shown are approximate values and cannot be used to correctly set the reducer oil level - **ALWAYS** fill the reducer to the correct oil level plug and recheck in 1 week.

A3

Unit Size	Reduction Stage	Pints	Liters
38	1	0.8	0.4
	2	1.3	0.6
	3	1.3	0.6
48	1	1.5	0.7
	2	3.2	1.5
	3	3.2	1.5
68	1	3.1	1.5
	2	5.3	2.5
	3	5.5	2.6
88	1	5.3	2.5
	2	12.0	5.7
	3	12.5	5.9
108	2	18.2	8.6
	3	19.0	9.0
128	2	27.9	13.2
	3	29.8	14.1
148	2	50.5	23.9
	3	49.5	23.4
168	2	67.8	32.1
	3	71.4	33.8



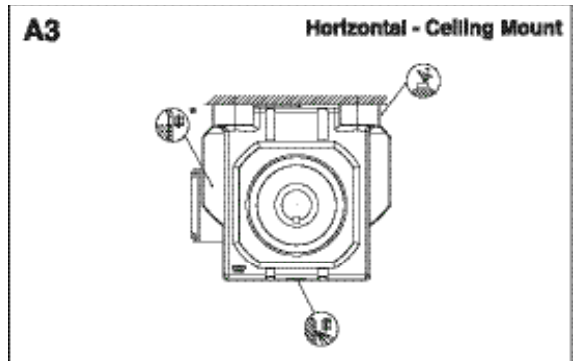
Oil level



Ventilation

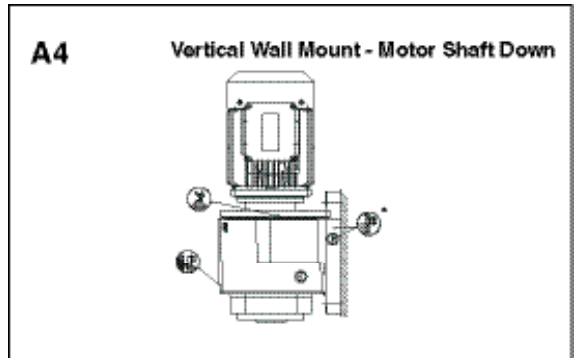


Oil drain



A4

Unit Size	Reduction Stage	Pints	Liters
38	1	1.0	0.5
	2	1.5	0.7
	3	1.9	0.9
48	1	1.5	0.7
	2	3.8	1.8
	3	4.9	2.3
68	1	3.7	1.8
	2	6.8	3.2
	3	8.5	4.0
88	1	4.9	2.3
	2	15.9	7.5
	3	19.7	9.3
108	2	27.9	13.2
	3	33.0	15.6
128	2	42.1	19.9
	3	51.6	24.4
148	2	54.3	25.7
	3	68.1	32.2
168	2	96.6	45.7
	3	115.0	54.4



ILH 38 units are sealed for life and furnished with only one plug for filling and draining.

NOMENCLATURE PAGE ILH-4	OVERHUNG LOADS PAGE ILH-11	SELECTION GEARMOTOR PAGE ILH-78	WEIGHTS PAGE ILH-343
----------------------------	-------------------------------	------------------------------------	-------------------------

MOUNTING POSITIONS



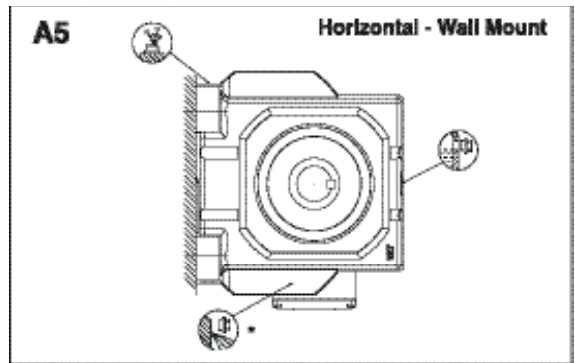
IN LINE HELICAL C-FACE REDUCERS & INTEGRAL GEARMOTORS

These mounting arrangements are for all output configurations and output shaft types. **IMPORTANT! When ordering, please specify mounting position for correct oil quantity.** In cases of mounting position other than shown here with regard to the oil quantity, please reference the Incline Mounting page, QUANTIS-23, and contact Application Engineering.

NOTE: The oil volumes shown are approximate values and cannot be used to correctly set the reducer oil level - **ALWAYS** fill the reducer to the correct oil level plug and recheck in 1 week.

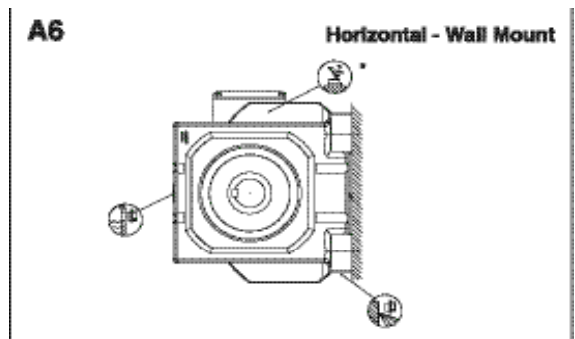
A5

Unit Size	Reduction Stage	Pints	Liters
38	1	0.5	0.3
	2	1.3	0.6
	3	1.3	0.6
48	1	1.2	0.6
	2	3.4	1.6
	3	3.2	1.5
68	1	2.1	1.0
	2	5.7	2.7
	3	5.5	2.6
88	1	3.3	1.6
	2	12.9	6.1
	3	12.5	5.9
108	2	22.2	10.5
	3	21.8	10.3
128	2	33.8	16.0
	3	33.4	15.8
148	2	44.0	20.8
	3	43.1	20.4
168	2	73.5	34.8
	3	72.1	34.1



A6

Unit Size	Reduction Stage	Pints	Liters
38	1	0.5	0.3
	2	1.3	0.6
	3	1.9	0.9
48	1	1.0	0.5
	2	2.7	1.3
	3	3.0	1.4
68	1	2.2	1.1
	2	4.9	2.3
	3	5.1	2.4
88	1	3.4	1.6
	2	11.2	5.3
	3	11.4	5.4
108	2	19.7	9.3
	3	20.1	9.5
128	2	29.8	14.1
	3	31.3	14.8
148	2	38.7	18.3
	3	40.4	19.1
168	2	63.6	30.1
	3	65.9	31.2



ILH 38 units are sealed for life and furnished with only one plug for filling and draining.

NOMENCLATURE PAGE ILH-4	OVERHUNG LOADS PAGE ILH-11	SELECTION GEARMOTOR PAGE ILH-78	WEIGHTS PAGE ILH-343
----------------------------	-------------------------------	------------------------------------	-------------------------

MOUNTING POSITIONS



Table of Old vs New Mounting Positions

	A1	A2	A3
ILH (HB)	B3	V6	B8
ILH (HF)	B5	V3	B8-01

	A4	A5	A6
ILH (HB)	V5	B6	B7
ILH (HF)	V1		

Shaded A2 mounting is not a recommended mounting position due to the weight of oil on the high speed input seal.

NOMENCLATURE PAGE ILH-4	OVERHUNG LOADS PAGE ILH-11	SELECTION GEARMOTOR PAGE ILH-78	WEIGHTS PAGE ILH-343
----------------------------	-------------------------------	------------------------------------	-------------------------

QUANTIS IN-LINE HELICAL (ILH) - STANDARD BEARINGS

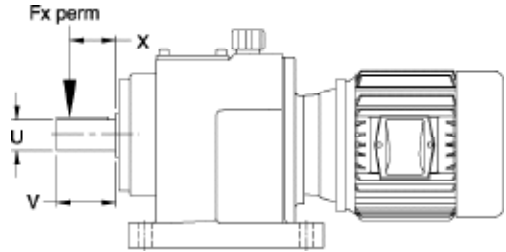
Permissible Overhung Loads (OHL) at Service Factor SF =1.0

1. Calculation based on bearing life

$$F_{x \text{ perm.}_1} = F_R \text{ perm} \frac{y}{z + X} \quad [\text{lb}_f]$$

2. Calculation based on mechanical strength

$$F_{x \text{ perm.}_2} = \frac{a}{b + X} \quad [\text{lb}_f]$$



The data in the table below lists the permissible output shaft overhung load (OHL) when the load is located at mid shaft. To calculate the permissible OHL when the load is located at other positions, use the formulas above along with the data below.

Both equations 1 and 2 must be used to determine if the bearing or shaft strength limits the OHL. Limit the OHL to the lower of the 2 calculations.

Type Stages	y in (mm)	z in (mm)	a lbf-in (kNm)	b in (mm)	u in (mm)	v in (mm)	*	FR perm. (lbf) for x = v/2 for output speeds n2 in RPM							
								n2 ≤ 16	n2 ≤ 25	n2 ≤ 40	n2 ≤ 63	n2 ≤ 100	n2 ≤ 160	n2 ≤ 250	≤ 400
H_38 (2/3)	4.173	3.189	1496	0	1.000	1.97	ccw	1695	1432	1234	881	546	416	279	250
	(106)	(81)	(169)	(0)	(25)	(50)	cw	1625	1360	1167	937	710	569	407	385
	4.370	3.189	1859	0.63	1.250	2.36	ccw	1619	1358	1117	762	472	360	241	230
	(111)	(81)	(210)	(16)	(30)	(60)	cw	1551	1299	1115	895	614	492	351	351
H_48 (2/3)	5.315	4.134	2346	0	1.250	2.36	ccw	2810	2354	1992	1517	1142	937	919	617
	(135)	(105)	(265)	(0)	(30)	(60)	cw	2700	2246	1884	1533	1270	1095	967	779
	5.709	4.134	4417	0.748	1.625	3.15	ccw	2617	2192	1801	1293	973	798	785	529
	(145)	(105)	(499)	(19)	(40)	(80)	cw	2513	2091	1753	1427	1182	989	899	664
H_68 (2/3)	6.693	5.098	4992	0	1.625	3.15	ccw	3844	3091	2765	1940	1306	962	1057	763
	(170)	(129.50)	(564)	(0)	(40)	(80)	cw	4186	3437	3174	2347	1715	1344	1308	986
	7.087	5.098	8346	0.906	2.125	3.94	ccw	3516	2828	2529	1774	1194	879	967	677
	(180)	(129.50)	(943)	(23)	(50)	(100)	cw	3828	3143	2902	2147	1569	1230	1196	873
H_88 (2/3)	8.228	6.26	9559	0	2.125	3.94	ccw	7915	6643	5712	4773	3437	2954	2252	2700
	(209)	(159)	(1080)	(0)	(50)	(100)	cw	7609	6337	5346	4471	3599	3087	2605	2507
	8.622	6.26	13569	0.827	2.375	4.72	ccw	7553	6339	5451	4554	3325	2855	2178	2543
	(219)	(159)	(1533)	(21)	(60)	(120)	cw	7261	6047	5101	4267	3435	2945	2486	2392
H_108 (2/3)	9.082	7.441	17348	0	2.375	4.72	ccw	11965	10447	9104	7958	6899	5669	4745	3965
	(249)	(189)	(1960)	(0)	(60)	(120)	cw	9128	7619	6262	5138	4288	4037	3705	3312
	10.196	7.441	17968	1.142	2.875	5.51	ccw	11483	10060	8743	7429	6639	5456	4566	3814
	(259)	(189)	(2030)	(29)	(70)	(140)	cw	8779	7326	6023	4940	4126	3882	3557	3185
H_128 (2/3)	12.027	9.271	24783	0	2.875	5.51	ccw	16149	14131	12301	10779	9224	7590	6350	5311
	(305.50)	(235.50)	(2800)	(0)	(70)	(140)	cw	11784	9782	7975	6465	5579	5306	4886	4392
	12.617	9.271	40715	1.181	3.625	6.69	ccw	15397	13460	11736	10287	8791	7237	6061	5056
	(320.50)	(235.50)	(4600)	(30)	(90)	(170)	cw	11235	9322	7598	6159	5321	5054	4658	4186
H_148 (2/3)	13.424	10.078	58948	0	3.625	6.69	ccw	18922	16576	14429	12622	10467	8707	7332	6165
	(341)	(256)	(6660)	(0)	(90)	(170)	cw	14204	11828	9680	7912	7373	6752	6088	5382
	14.212	10.078	53991	1.29	4.000	8.27	ccw	17761	15664	13623	11928	9898	8208	6921	5825
	(361)	(256)	(6100)	(33)	(100)	(210)	cw	13417	11166	9149	7468	6967	6384	5751	5083
H_168 (2/3)	16.554	12.401	73463	0	4.000	8.27	ccw	54838	47232	40320	34650	31412	28075	25073	22079
	(420.50)	(315.50)	(8300)	(0)	(100)	(210)	cw	47825	40318	33399	27888	27156	25410	23337	21001
	16.554	12.401	88510	1.299	4.750	8.27	ccw	54838	47232	40320	34650	31412	28075	25073	22079
	(420.50)	(315.50)	(10000)	(30)	(120)	(210)	cw	47825	40318	33399	27888	27156	25410	23337	21001

* Direction of rotation with view on output shaft
To convert lbf to Newtons (N), multiply by 4.448

bold - Standard Shaft

cw = clockwise

ccw = counter clockwise

NOMENCLATURE PAGE ILH-4	MOUNTING POSITIONS PAGE ILH-7	SELECTION GEARMOTOR PAGE ILH-78	WEIGHTS PAGE ILH-343
----------------------------	----------------------------------	------------------------------------	-------------------------

OVERHUNG LOADS

QUANTIS

QUANTIS IN-LINE HELICAL (ILH) - HEAVY DUTY BEARINGS

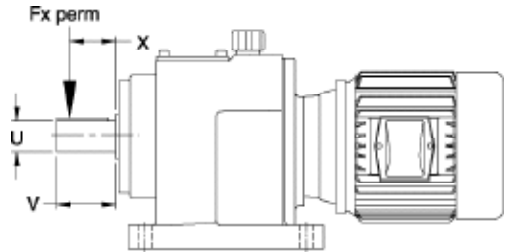
Permissible Overhung Loads (OHL) at Service Factor SF =1.0

1. Calculation based on bearing life

$$F_x \text{ perm.}_1 = F_R \text{ perm} \frac{y}{z + X} \quad [\text{lb}_i]$$

2. Calculation based on mechanical strength

$$F_x \text{ perm.}_2 = \frac{a}{b + X} \quad [\text{lb}_i]$$



The data in the table below lists the permissible output shaft overhung load (OHL) when the load is located at mid shaft. To calculate the permissible OHL when the load is located at other positions, use the formulas above along with the data below.

Both equations 1 and 2 must be used to determine if the bearing or shaft strength limits the OHL. Limit the OHL to the lower of the 2 calculations.

Type Stages	y in (mm)	z in (mm)	a lbf-in (kNmm)	b in (mm)	u in (mm)	v in (mm)	*	FR perm. (lbf) for x = v/2 for output speeds n2 in RPM															
								≤ 16	≤ 25	≤ 40	≤ 63	≤ 100	≤ 160	≤ 250	≤ 400								
H_38 (2/3)	4.173 (106)	3.189 (81)	1100 (124.3)	0 (0)	1.000 (25)	1.97 (50)	ccw	NOT AVAILABLE															
	4.370 (111)	3.189 (81)	1859 (210)	0.630 (16)	1.250 (30)	2.36 (60)	cw																
H_48 (2/3)	5.315 (135)	4.134 (105)	2346 (265)	0 (0)	1.250 (30)	2.36 (60)	ccw																
	5.709 (145)	4.134 (105)	4417 (499)	0.748 (19)	1.625 (40)	3.15 (80)	cw																
H_68 (2/3)	6.693 (170)	5.098 (129.50)	4992 (564)	0 (0)	1.625 (40)	3.15 (80)	ccw									5528	5358	5183	5019	4857	4723	4618	4480
	7.087 (180)	5.098 (129.50)	7019 (793)	0.906 (23)	2.125 (50)	3.94 (100)	cw									5528	5358	5184	5021	4861	4682	4457	4108
H_88 (2/3)	8.228 (209)	6.260 (159)	9559 (1080)	0 (0)	2.125 (50)	3.94 (100)	ccw									6127	5934	5738	5557	5372	5201	4779	4231
	8.622 (219)	6.260 (159)	13569 (1533)	0.827 (21)	2.375 (60)	4.72 (120)	cw									6110	5919	5724	5543	5015	4422	4208	3877
H_108 (2/3)	9.082 (249)	7.441 (189)	17348 (1960)	0 (0)	2.375 (60)	4.72 (120)	ccw									8111	7859	7273	6569	4226	4886	5089	4752
	10.196 (259)	7.441 (189)	17968 (2030)	1.142 (29)	2.875 (70)	5.51 (140)	cw									8111	7859	7606	7364	7311	6944	6819	6141
H_128 (2/3)	12.027 (305.50)	9.271 (235.50)	24783 (2800)	0 (0)	2.875 (70)	5.51 (140)	ccw	9114	8249	6520	5077	3792	4381	4559	4263								
	12.617 (320.50)	9.271 (235.50)	40715 (4600)	1.181 (30)	3.625 (90)	6.69 (170)	cw	9109	8819	8519	8240	7732	7231	6664	5858								
H_148 (2/3)	13.424 (341)	10.078 (256)	42564 (4809)	0 (0)	3.625 (90)	6.69 (170)	ccw	14334	12682	10000	7733	5745	6304	6773	6725								
	14.212 (361)	10.078 (256)	53991 (6100)	1.29 (33)	4.000 (100)	8.27 (210)	cw	14334	14178	13991	12144	10104	9385	8971	8004								
H_168 (2/3)	16.554 (420.50)	12.401 (315.50)	73463 (8300)	0 (0)	4.000 (100)	8.27 (210)	ccw	14262	11586	9135	7080	5257	5763	6199	6150								
	16.554 (420.50)	12.401 (315.50)	88510 (10000)	1.299 (30)	4.750 (120)	8.27 (210)	cw	14751	14596	13891	11676	9718	9025	8451	7700								
H_168 (2/3)	16.554 (420.50)	12.401 (315.50)	88510 (10000)	1.299 (30)	4.750 (120)	8.27 (210)	ccw	17484	17302	17085	16838	16399	16317	14897	13269								
	16.554 (420.50)	12.401 (315.50)	88510 (10000)	1.299 (30)	4.750 (120)	8.27 (210)	cw	17484	17302	17085	16838	16838	13671	13681	13120	12151							
H_168 (2/3)	16.554 (420.50)	12.401 (315.50)	88510 (10000)	1.299 (30)	4.750 (120)	8.27 (210)	ccw	28475	27748	23636	15857	12379	15681	14195	12647								
	16.554 (420.50)	12.401 (315.50)	88510 (10000)	1.299 (30)	4.750 (120)	8.27 (210)	cw	27977	23544	19482	17958	14884	13031	12498	11595								
H_168 (2/3)	16.554 (420.50)	12.401 (315.50)	88510 (10000)	1.299 (30)	4.750 (120)	8.27 (210)	ccw	34383	34052	30826	26392	23276	20962	18802	16627								
	16.554 (420.50)	12.401 (315.50)	88510 (10000)	1.299 (30)	4.750 (120)	8.27 (210)	cw	34383	31301	26056	21664	19518	18604	17281	15673								
H_168 (2/3)	16.554 (420.50)	12.401 (315.50)	88510 (10000)	1.299 (30)	4.750 (120)	8.27 (210)	ccw	31492	31171	29113	24933	21987	19800	17764	15703								
	16.554 (420.50)	12.401 (315.50)	88510 (10000)	1.299 (30)	4.750 (120)	8.27 (210)	cw	31461	29562	24610	20436	18441	17581	16329	14799								
H_168 (2/3)	16.554 (420.50)	12.401 (315.50)	88510 (10000)	1.299 (30)	4.750 (120)	8.27 (210)	ccw	NOT AVAILABLE															
	16.554 (420.50)	12.401 (315.50)	88510 (10000)	1.299 (30)	4.750 (120)	8.27 (210)	cw																

* Direction of rotation with view on output shaft
1N = 0.2248 lbf

bold - Standard Shaft
cw = clockwise

ccw = counter clockwise

NOMENCLATURE PAGE ILH-4	MOUNTING POSITIONS PAGE ILH-7	SELECTION GEARMOTOR PAGE ILH-78	WEIGHTS PAGE ILH-343
----------------------------	----------------------------------	------------------------------------	-------------------------

SELECTION



IN-LINE HELICAL REDUCER (ILH)

SIZE: H_381
60 HZ

Service Factor - 1.0 Clamp Collar / 3 Pc Coupled / Separate
SINGLE REDUCTION

NEMA MOTOR FRAME IEC MOTOR FRAME SEPARATE GROUP		56C 71D 71	--- 80D 80	140TC 90D 90	180TC 100D 100
RATIO	OUTPUT RATING DATA	1750	1750	1750	1750
1.59	Output RPM	1100	1100	1100	1100
	Input HP (Max) (C)	2.02	2.46	4.84	8.87
	Output Torque, In-Lb	116	141	277	508
	OHL Input Shaft	55	55	140	190
	OHL Output Shaft (B)	-	-	-	-
1.85	Output RPM	946	946	946	946
	Input HP (Max) (C)	2.02	2.46	4.60	8.37
	Output Torque, In-Lb	134	164	306	557
	OHL Input Shaft	55	55	140	190
	OHL Output Shaft (B)	-	-	-	-
2.05	Output RPM	853	853	853	853
	Input HP (Max) (C)	2.02	2.46	4.42	8.01
	Output Torque, In-Lb	149	182	327	592
	OHL Input Shaft	55	55	140	190
	OHL Output Shaft (B)	-	-	-	-
2.24	Output RPM	783	783	783	783
	Input HP (Max) (C)	2.02	2.46	4.27	7.73
	Output Torque, In-Lb	163	198	343	622
	OHL Input Shaft	55	55	140	190
	OHL Output Shaft (B)	50	50	50	50
2.50	Output RPM	700	700	700	700
	Input HP (Max) (C)	2.02	2.46	4.06	7.18
	Output Torque, In-Lb	182	221	366	646
	OHL Input Shaft	55	55	140	190
	OHL Output Shaft (B)	102	102	102	102
2.73	Output RPM	640	640	640	640
	Input HP (Max) (C)	1.99	2.46	3.90	7.06
	Output Torque, In-Lb	196	242	384	695
	OHL Input Shaft	55	55	140	190
	OHL Output Shaft (B)	102	102	102	102
3.00	Output RPM	583	583	583	583
	Input HP (Max) (C)	1.91	2.46	3.73	6.55
	Output Torque, In-Lb	206	266	403	708
	OHL Input Shaft	55	55	140	190
	OHL Output Shaft (B)	211	211	211	211
3.31	Output RPM	529	529	529	529
	Input HP (Max) (C)	1.82	2.46	3.55	4.83
	Output Torque, In-Lb	217	293	423	575
	OHL Input Shaft	55	55	140	190
	OHL Output Shaft (B)	269	269	269	269

(A) (B) (C) - See Footnotes page on inside back cover
Blank areas (-) indicate configuration not available

NOMENCLATURE PAGE ILH-4	STOCK/NON-STOCK PART NUMBERS PAGE ILH-67	DIMENSIONS PAGE ILH-118	THERMAL RATINGS PAGE ILH-335
----------------------------	---	----------------------------	---------------------------------

IN-LINE HELICAL REDUCER (ILH)

SIZE: H_381

Service Factor - 1.0 Clamp Collar / 3 Pc Coupled / Separate

60 HZ

SINGLE REDUCTION

NEMA MOTOR FRAME IEC MOTOR FRAME SEPARATE GROUP		56C 71D 71	---	140TC 90D 90	180TC 100D 100
RATIO	OUTPUT RATING DATA	1750	1750	1750	1750
3.67	Output RPM	477	477	477	477
	Input HP (Max) (C)	1.73	2.34	3.37	4.69
	Output Torque, In-Lb	228	309	445	620
	OHL Input Shaft	55	55	140	190
	OHL Output Shaft (B)	258	258	258	258
4.15	Output RPM	421	421	421	421
	Input HP (Max) (C)	1.61	2.18	3.16	3.67
	Output Torque, In-Lb	241	326	473	549
	OHL Input Shaft	55	55	140	190
	OHL Output Shaft (B)	371	371	371	371
4.58	Output RPM	382	382	382	382
	Input HP (Max) (C)	1.52	2.06	3.01	4.18
	Output Torque, In-Lb	252	340	497	690
	OHL Input Shaft	55	55	140	190
	OHL Output Shaft (B)	371	371	371	371
5.18	Output RPM	338	338	338	338
	Input HP (Max) (C)	1.41	1.92	2.81	3.32
	Output Torque, In-Lb	262	359	523	620
	OHL Input Shaft	55	55	140	190
	OHL Output Shaft (B)	543	543	543	543
5.92	Output RPM	296	296	296	-
	Input HP (Max) (C)	1.26	1.77	2.20	-
	Output Torque, In-Lb	269	377	469	-
	OHL Input Shaft	55	55	140	-
	OHL Output Shaft (B)	543	543	543	-
6.73	Output RPM	260	260	260	-
	Input HP (Max) (C)	1.13	1.62	1.75	-
	Output Torque, In-Lb	275	394	425	-
	OHL Input Shaft	55	55	140	-
	OHL Output Shaft (B)	583	583	583	-
7.20	Output RPM	243	243	243	-
	Input HP (Max) (C)	1.07	1.30	1.30	-
	Output Torque, In-Lb	278	336	336	-
	OHL Input Shaft	55	55	140	-
	OHL Output Shaft (B)	583	583	583	-
8.30	Output RPM	211	211	-	-
	Input HP (Max) (C)	0.95	0.95	-	-
	Output Torque, In-Lb	283	283	-	-
	OHL Input Shaft	55	55	-	-
	OHL Output Shaft (B)	834	834	-	-
9.33	Output RPM	188	-	-	-
	Input HP (Max) (C)	0.84	-	-	-
	Output Torque, In-Lb	283	-	-	-
	OHL Input Shaft	55	-	-	-
	OHL Output Shaft (B)	834	-	-	-

(A) (B) (C) - See Footnotes page on inside back cover

Blank areas (-) indicate configuration not available

NOMENCLATURE PAGE ILH-4	STOCK/NON-STOCK PART NUMBERS PAGE ILH-67	DIMENSIONS PAGE ILH-118	THERMAL RATINGS PAGE ILH-335
----------------------------	---	----------------------------	---------------------------------

IN-LINE HELICAL REDUCER (ILH)

SIZE: H_382
60 HZ

Service Factor - 1.0 Clamp Collar / 3 Pc Coupled / Separate
DOUBLE REDUCTION

NEMA MOTOR FRAME IEC MOTOR FRAME SEPARATE GROUP		56C 71D 71			--- 80D 80			140TC 90D 90			180TC 100D 100		
RATIO	OUTPUT RATING DATA	3450	1750	1160	3450	1750	1160	3450	1750	1160	3450	1750	1160
4.77	Output RPM	723	367	243	723	367	243	723	367	243	723	367	243
	Input HP (Max) (C)	3.98	2.02	1.34	4.85	2.46	1.63	9.87	5.01	3.32	10.80	7.19	5.05
	Output Torque, In-Lb	347	347	347	422	422	422	860	860	860	941	1236	1308
	OHL Input Shaft (A)	(A)	218	227	(A)	346	360	(A)	456	474	(A)	714	742
	OHL Output Shaft (B)	(A)	518	279	(A)	518	279	(A)	518	279	(A)	518	279
5.55	Output RPM	622	315	209	622	315	209	622	315	209	622	315	209
	Input HP (Max) (C)	3.98	2.02	1.34	4.85	2.46	1.63	9.86	5.00	3.32	10.21	6.80	4.77
	Output Torque, In-Lb	404	404	403	491	491	491	1000	1000	1000	1035	1360	1439
	OHL Input Shaft (A)	(A)	217	226	(A)	346	360	(A)	456	473	(A)	714	742
	OHL Output Shaft (B)	(A)	518	279	(A)	518	279	(A)	518	279	(A)	518	279
6.16	Output RPM	560	284	188	560	284	188	560	284	188	560	284	188
	Input HP (Max) (C)	3.98	2.02	1.34	4.84	2.46	1.63	9.54	5.00	3.32	9.54	6.36	4.46
	Output Torque, In-Lb	448	448	448	545	545	545	1073	1110	1110	1073	1410	1493
	OHL Input Shaft (A)	(A)	219	228	(A)	346	360	(A)	456	471	(A)	714	742
	OHL Output Shaft (B)	(A)	518	279	(A)	518	279	(A)	518	279	(A)	518	279
6.71	Output RPM	514	261	173	514	261	173	514	261	173	514	261	173
	Input HP (Max) (C)	3.98	2.02	1.34	4.84	2.46	1.63	9.02	4.99	3.31	9.02	6.01	4.22
	Output Torque, In-Lb	488	488	488	594	594	594	1106	1205	1208	1106	1452	1537
	OHL Input Shaft (A)	(A)	219	228	(A)	346	360	(A)	454	474	(A)	714	743
	OHL Output Shaft (B)	(A)	518	279	(A)	518	279	(A)	518	279	(A)	518	279
7.50	Output RPM	460	233	155	460	233	155	460	233	155	460	233	155
	Input HP (Max) (C)	3.98	2.02	1.34	4.85	2.46	1.63	8.39	4.75	3.28	8.39	5.59	3.92
	Output Torque, In-Lb	545	545	545	664	664	664	1149	1283	1338	1149	1509	1597
	OHL Input Shaft (A)	(A)	218	227	(A)	346	360	(A)	454	474	(A)	714	743
	OHL Output Shaft (B)	(A)	279	416	(A)	279	416	(A)	279	416	(A)	279	416
7.52	Output RPM	459	233	154	459	233	154	459	233	154	459	233	154
	Input HP (Max) (C)	3.98	2.02	1.34	4.85	2.46	1.63	8.63	5.00	3.32	8.63	5.75	4.03
	Output Torque, In-Lb	547	547	547	666	666	666	1185	1355	1355	1185	1556	1647
	OHL Input Shaft (A)	(A)	218	227	(A)	346	360	(A)	456	474	(A)	710	737
	OHL Output Shaft (B)	(A)	279	416	(A)	279	416	(A)	279	416	(A)	279	416
8.75	Output RPM	394	200	133	394	200	133	394	200	133	394	200	133
	Input HP (Max) (C)	3.98	2.02	1.34	4.84	2.46	1.63	7.81	5.00	3.32	7.81	5.20	3.65
	Output Torque, In-Lb	636	636	636	774	774	774	1248	1576	1576	1248	1639	1735
	OHL Input Shaft (A)	(A)	217	226	(A)	346	360	(A)	456	473	(A)	711	739
	OHL Output Shaft (B)	(A)	279	416	(A)	279	416	(A)	279	416	(A)	279	416
9.70	Output RPM	356	180	120	356	180	120	356	180	120	356	180	120
	Input HP (Max) (C)	3.98	2.02	1.34	4.85	2.46	1.63	7.29	4.86	3.32	7.29	4.86	3.41
	Output Torque, In-Lb	705	705	705	859	859	859	1292	1698	1748	1292	1698	1797
	OHL Input Shaft (A)	(A)	219	228	(A)	346	360	(A)	455	471	(A)	712	740
	OHL Output Shaft (B)	(A)	279	416	(A)	279	416	(A)	279	416	(A)	279	416

(A) (B) (C) - See Footnotes page on inside back cover
Blank areas (-) indicate configuration not available

NOMENCLATURE PAGE ILH-4	STOCK/NON-STOCK PART NUMBERS PAGE ILH-67	DIMENSIONS PAGE ILH-120	THERMAL RATINGS PAGE ILH-335
----------------------------	---	----------------------------	---------------------------------

IN-LINE HELICAL REDUCER (ILH)

SIZE: H_382
60 HZ

Service Factor - 1.0 Clamp Collar / 3 Pc Coupled / Separate
DOUBLE REDUCTION

NEMA MOTOR FRAME IEC MOTOR FRAME SEPARATE GROUP		56C 71D 71			--- 80D 80			140TC 90D 90			180TC 100D 100		
RATIO	OUTPUT RATING DATA	3450	1750	1160	3450	1750	1160	3450	1750	1160	3450	1750	1160
10.57	Output RPM	326	166	110	326	166	110	326	166	110	326	166	110
	Input HP (Max) (C)	3.98	2.02	1.34	4.84	2.46	1.63	6.89	4.59	3.22	6.89	4.59	3.22
	Output Torque, In-Lb	768	768	768	935	935	935	1330	1747	1849	1330	1747	1849
	OHL Input Shaft OHL Output Shaft (B)	(A) 518 279	219 279	228 416	(A) 518 416	346 416	360 416	(A) 518 416	456 416	470 546	(A) 518 518	712 416	740 546
11.82	Output RPM	292	148	98	292	148	98	292	148	98	292	148	98
	Input HP (Max) (C)	3.98	2.02	1.34	4.84	2.46	1.63	6.39	4.26	2.99	6.39	4.26	2.99
	Output Torque, In-Lb	859	859	859	1046	1046	1046	1380	1813	1919	1380	1813	1919
	OHL Input Shaft OHL Output Shaft (B)	(A) 518 518	218 416	227 546	(A) 518 518	346 416	360 546	(A) 518 518	456 416	471 546	(A) 518 518	712 416	741 546
12.92	Output RPM	267	135	90	267	135	90	267	135	90	267	135	90
	Input HP (Max) (C)	3.98	2.02	1.34	4.85	2.46	1.63	6.02	4.01	2.77	6.02	4.01	2.77
	Output Torque, In-Lb	939	939	939	1144	1144	1144	1421	1867	1947	1421	1867	1947
	OHL Input Shaft OHL Output Shaft (B)	(A) 518 518	217 416	226 546	(A) 518 518	346 416	360 546	(A) 518 518	456 416	472 546	(A) 518 518	713 416	741 546
14.18	Output RPM	243	123	82	243	123	82	243	123	82	243	123	82
	Input HP (Max) (C)	3.91	2.02	1.34	4.85	2.46	1.63	5.66	3.77	2.53	5.66	3.77	2.53
	Output Torque, In-Lb	1013	1031	1031	1255	1255	1255	1465	1925	1947	1465	1925	1947
	OHL Input Shaft OHL Output Shaft (B)	(A) 279 416	218 416	227 546	(A) 279 416	345 416	359 546	(A) 279 416	456 416	473 546	(A) 279 416	713 416	742 546
15.64	Output RPM	221	112	74	221	112	74	221	112	74	221	112	74
	Input HP (Max) (C)	3.65	1.98	1.34	4.84	2.46	1.63	5.29	3.46	2.29	5.29	3.46	2.29
	Output Torque, In-Lb	1041	1116	1137	1384	1384	1384	1512	1947	1947	1512	1947	1947
	OHL Input Shaft OHL Output Shaft (B)	(A) 279 416	217 416	226 546	(A) 279 416	345 416	359 546	(A) 279 416	457 416	474 546	(A) 279 416	713 416	743 546
17.33	Output RPM	199	101	67	199	101	67	199	101	67	199	101	67
	Input HP (Max) (C)	3.38	1.84	1.26	4.85	2.46	1.63	4.94	3.12	2.07	4.94	3.12	2.07
	Output Torque, In-Lb	1071	1147	1189	1534	1534	1534	1563	1947	1947	1563	1947	1947
	OHL Input Shaft OHL Output Shaft (B)	(A) 279 416	218 416	227 546	(A) 279 416	344 416	358 546	(A) 279 416	457 416	474 546	(A) 279 416	714 416	743 546
19.64	Output RPM	176	89	59	176	89	59	176	89	59	176	89	59
	Input HP (Max) (C)	3.08	1.67	1.15	4.53	2.46	1.63	4.53	2.75	1.82	4.53	2.75	1.82
	Output Torque, In-Lb	1105	1183	1226	1627	1738	1738	1627	1947	1947	1627	1947	1947
	OHL Input Shaft OHL Output Shaft (B)	(A) 279 546	218 546	227 881	(A) 279 546	344 546	358 881	(A) 279 546	454 546	475 881	(A) 279 546	714 546	743 881
21.67	Output RPM	159	81	54	159	81	54	159	81	54	159	81	54
	Input HP (Max) (C)	2.85	1.55	1.06	4.24	2.37	1.63	4.24	2.49	1.65	4.24	2.49	1.65
	Output Torque, In-Lb	1129	1210	1254	1678	1848	1918	1678	1947	1947	1678	1947	1947
	OHL Input Shaft OHL Output Shaft (B)	(A) 416 546	218 546	227 881	(A) 416 546	343 546	356 881	(A) 416 546	454 546	475 881	(A) 416 546	714 546	743 881

(A) (B) (C) - See Footnotes page on inside back cover
Blank areas (-) indicate configuration not available

NOMENCLATURE PAGE ILH-4	STOCK/NON-STOCK PART NUMBERS PAGE ILH-67	DIMENSIONS PAGE ILH-120	THERMAL RATINGS PAGE ILH-335
----------------------------	---	----------------------------	---------------------------------

SELECTION



IN-LINE HELICAL REDUCER (ILH)

SIZE: H_382
60 HZ

Service Factor - 1.0 Clamp Collar / 3 Pc Coupled / Separate

DOUBLE REDUCTION

NEMA MOTOR FRAME IEC MOTOR FRAME SEPARATE GROUP		56C 71D 71			--- 80D 80			140TC 90D 90			180TC 100D 100		
RATIO	OUTPUT RATING DATA	3450	1750	1160	3450	1750	1160	3450	1750	1160	3450	1750	1160
24.50	Output RPM	141	71	47	141	71	47	141	71	47	-	-	-
	Input HP (Max) (C)	2.59	1.41	0.97	3.90	2.21	1.46	3.90	2.21	1.46	-	-	-
	Output Torque, In-Lb	1158	1241	1286	1744	1947	1947	1744	1947	1947	-	-	-
	OHL Input Shaft (A)	218	218	227	(A) 343	343	357	(A) 455	455	475	-	-	-
	OHL Output Shaft (B)	416	546	881	416	546	881	416	546	881	-	-	-
27.97	Output RPM	123	63	41	123	63	41	123	63	41	-	-	-
	Input HP (Max) (C)	2.32	1.26	0.87	3.56	1.93	1.28	3.56	1.93	1.28	-	-	-
	Output Torque, In-Lb	1187	1272	1318	1818	1947	1947	1818	1947	1947	-	-	-
	OHL Input Shaft (A)	219	219	227	(A) 344	344	358	(A) 455	455	476	-	-	-
	OHL Output Shaft (B)	416	881	881	416	881	881	416	881	881	-	-	-
31.80	Output RPM	108	55	36	108	55	36	108	55	36	-	-	-
	Input HP (Max) (C)	2.09	1.13	0.78	3.26	1.70	1.13	3.26	1.70	1.13	-	-	-
	Output Torque, In-Lb	1213	1299	1346	1893	1947	1947	1893	1947	1947	-	-	-
	OHL Input Shaft (A)	219	219	228	(A) 345	345	359	(A) 456	456	476	-	-	-
	OHL Output Shaft (B)	416	881	1117	416	881	1117	416	881	1117	-	-	-
34.04	Output RPM	101	51	34	101	51	34	101	51	34	-	-	-
	Input HP (Max) (C)	1.97	1.07	0.74	3.01	1.59	1.05	3.01	1.59	1.05	-	-	-
	Output Torque, In-Lb	1226	1313	1361	1871	1947	1947	1871	1947	1947	-	-	-
	OHL Input Shaft (A)	219	219	228	(A) 345	345	359	(A) 456	456	476	-	-	-
	OHL Output Shaft (B)	416	881	1117	416	881	1117	416	881	1117	-	-	-
39.24	Output RPM	88	45	30	88	45	30	-	-	-	-	-	-
	Input HP (Max) (C)	1.74	0.95	0.65	1.93	1.38	0.72	-	-	-	-	-	-
	Output Torque, In-Lb	1250	1339	1388	1385	1947	1530	-	-	-	-	-	-
	OHL Input Shaft (A)	219	219	228	(A) 346	346	360	-	-	-	-	-	-
	OHL Output Shaft (B)	546	881	1117	546	881	1117	-	-	-	-	-	-
44.12	Output RPM	78	40	26	-	-	-	-	-	-	-	-	-
	Input HP (Max) (C)	1.52	0.86	0.56	-	-	-	-	-	-	-	-	-
	Output Torque, In-Lb	1224	1359	1352	-	-	-	-	-	-	-	-	-
	OHL Input Shaft (A)	219	219	228	-	-	-	-	-	-	-	-	-
	OHL Output Shaft (B)	546	1117	1117	-	-	-	-	-	-	-	-	-

(A) (B) (C) - See Footnotes page on inside back cover
Blank areas (-) indicate configuration not available

NOMENCLATURE PAGE ILH-4	STOCK/NON-STOCK PART NUMBERS PAGE ILH-67	DIMENSIONS PAGE ILH-120	THERMAL RATINGS PAGE ILH-335
----------------------------	---	----------------------------	---------------------------------

IN-LINE HELICAL REDUCER (ILH)

SIZE: H_383

Service Factor - 1.0 Clamp Collar / 3 Pc Coupled / Separate

60 HZ

TRIPLE REDUCTION

NEMA MOTOR FRAME IEC MOTOR FRAME SEPARATE GROUP		56C 71D 71			--- 80D 80			140TC 90D 90		
RATIO	OUTPUT RATING DATA	3450	1750	1160	3450	1750	1160	3450	1750	1160
30.74	Output RPM	112	57	38	112	57	38	112	57	38
	Input HP (Max) (C)	2.58	1.72	1.17	2.58	1.72	1.17	2.58	1.72	1.17
	Output Torque, In-Lb	1451	1905	1947	1451	1905	1947	1451	1905	1947
	OHL Input Shaft (A)		210	218	(A)	343	357	(A)	455	473
	OHL Output Shaft (B)	416	881	1117	416	881	1117	416	881	1117
33.82	Output RPM	102	52	34	102	52	34	102	52	34
	Input HP (Max) (C)	2.42	1.60	1.06	2.42	1.60	1.06	2.42	1.60	1.06
	Output Torque, In-Lb	1493	1947	1947	1493	1947	1947	1493	1947	1947
	OHL Input Shaft (A)		210	219	(A)	344	358	(A)	455	473
	OHL Output Shaft (B)	416	881	1117	416	881	1117	416	881	1117
39.28	Output RPM	88	45	30	88	45	30	88	45	30
	Input HP (Max) (C)	2.18	1.38	0.91	2.18	1.38	0.91	2.18	1.38	0.91
	Output Torque, In-Lb	1561	1947	1947	1561	1947	1947	1561	1947	1947
	OHL Input Shaft (A)		211	219	(A)	345	359	(A)	456	474
	OHL Output Shaft (B)	546	881	1117	546	881	1117	546	881	1117
42.53	Output RPM	81	41	27	81	41	27	81	41	27
	Input HP (Max) (C)	2.06	1.27	0.84	2.06	1.27	0.84	2.06	1.27	0.84
	Output Torque, In-Lb	1599	1947	1947	1599	1947	1947	1599	1947	1947
	OHL Input Shaft (A)		211	219	(A)	345	359	(A)	456	475
	OHL Output Shaft (B)	546	881	1117	546	881	1117	546	881	1117
48.10	Output RPM	72	36	24	72	36	24	72	36	24
	Input HP (Max) (C)	1.89	1.12	0.75	1.89	1.12	0.75	1.89	1.12	0.75
	Output Torque, In-Lb	1659	1947	1947	1659	1947	1947	1659	1947	1947
	OHL Input Shaft (A)		211	220	(A)	346	359	(A)	457	475
	OHL Output Shaft (B)	546	1117	1117	546	1117	1117	546	1117	1117
52.86	Output RPM	65	33	22	65	33	22	65	33	22
	Input HP (Max) (C)	1.77	1.02	0.68	1.77	1.02	0.68	1.77	1.02	0.68
	Output Torque, In-Lb	1706	1947	1947	1706	1947	1947	1706	1947	1947
	OHL Input Shaft (A)		211	220	(A)	346	360	(A)	457	475
	OHL Output Shaft (B)	546	1117	1117	546	1117	1117	546	1117	1117
58.30	Output RPM	59	30	20	59	30	20	59	30	20
	Input HP (Max) (C)	1.65	0.93	0.61	1.65	0.93	0.61	1.65	0.93	0.61
	Output Torque, In-Lb	1758	1947	1947	1758	1947	1947	1758	1947	1947
	OHL Input Shaft (A)		211	220	(A)	346	360	(A)	457	475
	OHL Output Shaft (B)	881	1117	1117	881	1117	1117	881	1117	1117
64.58	Output RPM	53	27	18	53	27	18	-	-	-
	Input HP (Max) (C)	1.54	0.84	0.55	1.54	0.84	0.55	-	-	-
	Output Torque, In-Lb	1812	1947	1947	1812	1947	1947	-	-	-
	OHL Input Shaft (A)		211	220	(A)	346	360	-	-	-
	OHL Output Shaft (B)	881	1117	1117	881	1117	1117	-	-	-
71.91	Output RPM	48	24	16	48	24	16	-	-	-
	Input HP (Max) (C)	1.43	0.75	0.50	1.43	0.75	0.50	-	-	-
	Output Torque, In-Lb	1873	1947	1947	1873	1947	1947	-	-	-
	OHL Input Shaft (A)		210	218	(A)	346	360	-	-	-
	OHL Output Shaft (B)	881	1117	1117	881	1117	1117	-	-	-

(A) (B) (C) - See Footnotes page on inside back cover
Blank areas (-) indicate configuration not available

NOMENCLATURE PAGE ILH-4	STOCK/NON-STOCK PART NUMBERS PAGE ILH-67	DIMENSIONS PAGE ILH-120	THERMAL RATINGS PAGE ILH-335
----------------------------	---	----------------------------	---------------------------------

IN-LINE HELICAL REDUCER (ILH)

SIZE: H_383
60 HZ

Service Factor - 1.0 Clamp Collar / 3 Pc Coupled / Separate
TRIPLE REDUCTION

NEMA MOTOR FRAME IEC MOTOR FRAME SEPARATE GROUP		56C 71D 71			--- 80D 80			140TC 90D 90		
RATIO	OUTPUT RATING DATA	3450	1750	1160	3450	1750	1160	3450	1750	1160
82.52	Output RPM	42	21	14	42	21	14	-	-	-
	Input HP (Max) (C)	1.29	0.66	0.43	1.29	0.66	0.43	-	-	-
	Output Torque, In-Lb	1947	1947	1947	1947	1947	1947	-	-	-
	OHL Input Shaft (A)	210	210	218	(A) 346	(A) 346	360	-	-	-
	OHL Output Shaft (B)	881	1117	1117	881	1117	1117	-	-	-
91.34	Output RPM	38	19	13	38	19	13	-	-	-
	Input HP (Max) (C)	1.17	0.59	0.39	1.17	0.59	0.39	-	-	-
	Output Torque, In-Lb	1947	1947	1947	1947	1947	1947	-	-	-
	OHL Input Shaft (A)	210	210	219	(A) 346	(A) 346	360	-	-	-
	OHL Output Shaft (B)	1117	1117	1117	1117	1117	1117	-	-	-
103.89	Output RPM	33	17	11	33	17	11	-	-	-
	Input HP (Max) (C)	1.03	0.52	0.34	1.03	0.52	0.34	-	-	-
	Output Torque, In-Lb	1947	1947	1947	1947	1947	1947	-	-	-
	OHL Input Shaft (A)	211	211	219	(A) 346	(A) 346	360	-	-	-
	OHL Output Shaft (B)	1117	1117	1117	1117	1117	1117	-	-	-
118.55	Output RPM	29	15	10	29	15	10	-	-	-
	Input HP (Max) (C)	0.90	0.46	0.30	0.90	0.46	0.30	-	-	-
	Output Torque, In-Lb	1947	1947	1947	1947	1947	1947	-	-	-
	OHL Input Shaft (A)	211	211	219	(A) 346	(A) 346	360	-	-	-
	OHL Output Shaft (B)	1117	1117	1117	1117	1117	1117	-	-	-
133.57	Output RPM	26	13	9	26	13	9	-	-	-
	Input HP (Max) (C)	0.80	0.40	0.27	0.80	0.40	0.27	-	-	-
	Output Torque, In-Lb	1947	1947	1947	1947	1947	1947	-	-	-
	OHL Input Shaft (A)	211	211	219	(A) 346	(A) 346	360	-	-	-
	OHL Output Shaft (B)	1117	1117	1117	1117	1117	1117	-	-	-
149.26	Output RPM	23	12	8	23	12	8	-	-	-
	Input HP (Max) (C)	0.71	0.36	0.24	0.71	0.36	0.24	-	-	-
	Output Torque, In-Lb	1947	1947	1947	1947	1947	1947	-	-	-
	OHL Input Shaft (A)	211	211	220	(A) 347	(A) 347	360	-	-	-
	OHL Output Shaft (B)	1117	1117	1117	1117	1117	1117	-	-	-
170.24	Output RPM	20	10	7	20	10	7	-	-	-
	Input HP (Max) (C)	0.63	0.32	0.21	0.63	0.32	0.21	-	-	-
	Output Torque, In-Lb	1947	1947	1947	1947	1947	1947	-	-	-
	OHL Input Shaft (A)	211	211	220	(A) 347	(A) 347	360	-	-	-
	OHL Output Shaft (B)	1117	1117	1117	1117	1117	1117	-	-	-
191.75	Output RPM	18	9	6	-	-	-	-	-	-
	Input HP (Max) (C)	0.56	0.28	0.19	-	-	-	-	-	-
	Output Torque, In-Lb	1947	1947	1947	-	-	-	-	-	-
	OHL Input Shaft (A)	211	211	220	-	-	-	-	-	-
	OHL Output Shaft (B)	1117	1117	1117	-	-	-	-	-	-

(A) (B) (C) - See Footnotes page on inside back cover
Blank areas (-) indicate configuration not available

NOMENCLATURE PAGE ILH-4	STOCK/NON-STOCK PART NUMBERS PAGE ILH-67	DIMENSIONS PAGE ILH-120	THERMAL RATINGS PAGE ILH-335
----------------------------	---	----------------------------	---------------------------------

SELECTION



IN-LINE HELICAL REDUCER (ILH)

SIZE: H_481
60 HZ

Service Factor - 1.0 Clamp Collar / 3 Pc Coupled / Separate
SINGLE REDUCTION

NEMA MOTOR FRAME		56C	---	140TC	180TC	---
IEC MOTOR FRAME		71D	80D	90D	100D	112D
SEPARATE GROUP		71	80	90	100	112
RATIO	OUTPUT RATING DATA	1750	1750	1750	1750	1750
1.52	Output RPM	-	1151	1151	1151	1151
	Input HP (Max) (C)	-	2.46	5.00	10.4	12.6
	Output Torque, In-Lb	-	135	274	567	692
	OHL Input Shaft	-	55	140	190	230
	OHL Output Shaft (B)	-	-	-	-	-
1.83	Output RPM	-	958	958	958	958
	Input HP (Max) (C)	-	2.46	5.00	10.2	11.9
	Output Torque, In-Lb	-	162	329	673	780
	OHL Input Shaft	-	55	140	190	230
	OHL Output Shaft (B)	-	-	-	-	-
2.15	Output RPM	-	814	814	814	814
	Input HP (Max) (C)	-	2.46	5.00	9.67	11.1
	Output Torque, In-Lb	-	190	387	749	861
	OHL Input Shaft	-	55	140	190	230
	OHL Output Shaft (B)	-	190	190	190	190
2.41	Output RPM	726	726	726	726	726
	Input HP (Max) (C)	2.02	2.46	5.00	9.25	10.6
	Output Torque, In-Lb	175	213	434	803	917
	OHL Input Shaft	55	55	140	190	230
	OHL Output Shaft (B)	195	195	195	195	195
2.70	Output RPM	648	648	648	648	648
	Input HP (Max) (C)	2.02	2.46	4.86	8.82	10.0
	Output Torque, In-Lb	196	239	473	857	976
	OHL Input Shaft	55	55	140	190	230
	OHL Output Shaft (B)	161	161	161	161	161
2.95	Output RPM	594	594	594	594	594
	Input HP (Max) (C)	2.02	2.46	4.70	8.48	9.63
	Output Torque, In-Lb	214	261	499	900	1022
	OHL Input Shaft	55	55	140	190	230
	OHL Output Shaft (B)	124	124	124	124	124
3.24	Output RPM	541	541	541	541	541
	Input HP (Max) (C)	2.02	2.46	4.51	8.13	9.22
	Output Torque, In-Lb	235	286	526	947	1075
	OHL Input Shaft	55	55	140	190	230
	OHL Output Shaft (B)	106	106	106	106	106
3.56	Output RPM	491	491	491	491	491
	Input HP (Max) (C)	2.02	2.46	4.32	7.77	8.81
	Output Torque, In-Lb	259	315	554	996	1130
	OHL Input Shaft	55	55	140	190	230
	OHL Output Shaft (B)	99	99	99	99	99

(A) (B) (C) - See Footnotes page on inside back cover
Blank areas (-) indicate configuration not available

NOMENCLATURE PAGE ILH-4	STOCK/NON-STOCK PART NUMBERS PAGE ILH-67	DIMENSIONS PAGE ILH-158	THERMAL RATINGS PAGE ILH-335
----------------------------	---	----------------------------	---------------------------------

SELECTION



IN-LINE HELICAL REDUCER (ILH)

SIZE: H_481

Service Factor - 1.0 Clamp Collar / 3 Pc Coupled / Separate

60 HZ

SINGLE REDUCTION

NEMA MOTOR FRAME IEC MOTOR FRAME SEPARATE GROUP		56C 71D 71	--- 80D 80	140TC 90D 90	180TC 100D 100	--- 112D 112
RATIO	OUTPUT RATING DATA	1750	1750	1750	1750	1750
3.87	Output RPM	453	453	453	453	453
	Input HP (Max) (C)	2.02	2.46	4.15	7.47	8.48
	Output Torque, In-Lb	281	342	579	1040	1181
	OHL Input Shaft	55	55	140	190	230
	OHL Output Shaft (B)	99	99	99	99	99
4.21	Output RPM	415	415	415	415	415
	Input HP (Max) (C)	2.02	2.46	3.98	7.17	8.18
	Output Torque, In-Lb	306	373	604	1089	1241
	OHL Input Shaft	55	55	140	190	230
	OHL Output Shaft (B)	191	191	191	191	191
4.62	Output RPM	379	379	379	379	379
	Input HP (Max) (C)	1.96	2.46	3.80	6.89	6.92
	Output Torque, In-Lb	325	408	632	1145	1151
	OHL Input Shaft	55	55	140	190	230
	OHL Output Shaft (B)	191	191	191	191	191
5.08	Output RPM	344	344	344	344	344
	Input HP (Max) (C)	1.82	2.46	3.61	5.80	5.80
	Output Torque, In-Lb	334	450	662	1062	1062
	OHL Input Shaft	55	55	140	190	230
	OHL Output Shaft (B)	303	303	303	303	303
5.85	Output RPM	299	299	299	299	299
	Input HP (Max) (C)	1.63	2.31	3.36	5.04	5.04
	Output Torque, In-Lb	343	487	706	1062	1062
	OHL Input Shaft	55	55	140	190	230
	OHL Output Shaft (B)	303	303	303	303	303
6.33	Output RPM	276	276	276	276	276
	Input HP (Max) (C)	1.53	2.21	3.23	4.46	4.46
	Output Torque, In-Lb	348	504	736	1018	1018
	OHL Input Shaft	55	55	140	190	230
	OHL Output Shaft (B)	627	627	627	627	627
7.00	Output RPM	250	250	250	250	-
	Input HP (Max) (C)	1.40	2.09	3.05	3.41	-
	Output Torque, In-Lb	354	526	768	859	-
	OHL Input Shaft	55	55	140	190	-
	OHL Output Shaft (B)	627	627	627	627	-
8.17	Output RPM	214	214	214	-	-
	Input HP (Max) (C)	1.23	1.89	2.56	-	-
	Output Torque, In-Lb	363	557	752	-	-
	OHL Input Shaft	55	55	140	-	-
	OHL Output Shaft (B)	711	711	711	-	-

(A) (B) (C) - See Footnotes page on inside back cover
Blank areas (-) indicate configuration not available

NOMENCLATURE PAGE ILH-4	STOCK/NON-STOCK PART NUMBERS PAGE ILH-67	DIMENSIONS PAGE ILH-158	THERMAL RATINGS PAGE ILH-335
----------------------------	---	----------------------------	---------------------------------

SELECTION



QUANTS

QUANTS GOLD

ILH

RHB

MSM

IN-LINE HELICAL REDUCER (ILH)

SIZE: H_481
60 HZ

Service Factor - 1.0 Clamp Collar / 3 Pc Coupled / Separate
SINGLE REDUCTION

NEMA MOTOR FRAME		56C	---	140TC	180TC	---
IEC MOTOR FRAME		71D	80D	90D	100D	112D
SEPARATE GROUP		71	80	90	100	112
RATIO	OUTPUT RATING DATA	1750	1750	1750	1750	1750
9.09	Output RPM	193	193	193	-	-
	Input HP (Max) (C)	1.12	1.73	1.73	-	-
	Output Torque, In-Lb	368	566	566	-	-
	OHL Input Shaft	55	55	140	-	-
10.00	OHL Output Shaft (B)	711	711	711	-	-
	Output RPM	175	175	175	-	-
	Input HP (Max) (C)	1.03	1.66	1.97	-	-
	Output Torque, In-Lb	372	598	708	-	-
11.30	OHL Input Shaft	55	55	140	-	-
	OHL Output Shaft (B)	826	826	826	-	-
	Output RPM	155	155	-	-	-
	Input HP (Max) (C)	0.93	120	-	-	-
11.30	Output Torque, In-Lb	377	487	-	-	-
	OHL Input Shaft	55	55	-	-	-
	OHL Output Shaft (B)	826	826	-	-	-

(A) (B) (C) - See Footnotes page on inside back cover
Blank areas (-) indicate configuration not available

NOMENCLATURE PAGE ILH-4	STOCK/NON-STOCK PART NUMBERS PAGE ILH-67	DIMENSIONS PAGE ILH-158	THERMAL RATINGS PAGE ILH-335
----------------------------	---	----------------------------	---------------------------------

IN-LINE HELICAL REDUCER (ILH)

SIZE: H_482
60 HZ

Service Factor - 1.0 Clamp Collar / 3 Pc Coupled / Separate
DOUBLE REDUCTION

NEMA MOTOR FRAME IEC MOTOR FRAME SEPARATE GROUP		56C 71D 71			--- 80D 80			140TC 90D 90			180TC 100D 100			--- 112D 112		
RATIO	OUTPUT RATING DATA	3450	1750	1160	3450	1750	1160	3450	1750	1160	3450	1750	1160	3450	1750	1160
4.28	Output RPM	-	-	-	806	409	271	806	409	271	806	409	271	806	409	271
	Input HP (Max) (C)	-	-	-	4.85	2.46	1.63	9.87	5.01	3.32	20.44	10.37	6.87	22.81	13.88	9.20
	Output Torque, In-Lb	-	-	-	379	379	379	772	772	772	1598	1598	1598	1784	2139	2139
	OHL Input Shaft	-	-	-	(A)	346	360	(A)	453	471	(A)	711	740	(A)	840	875
	OHL Output Shaft (B)	-	-	-	(A)	896	904	(A)	896	904	(A)	896	904	(A)	896	904
5.15	Output RPM	-	-	-	670	340	225	670	340	225	670	340	225	670	340	225
	Input HP (Max) (C)	-	-	-	4.84	2.46	1.63	9.85	5.00	3.31	20.41	10.35	6.86	21.22	12.88	8.54
	Output Torque, In-Lb	-	-	-	455	455	455	927	927	927	1920	1920	1920	1996	2390	2390
	OHL Input Shaft	-	-	-	(A)	346	360	(A)	454	473	(A)	708	737	(A)	840	875
	OHL Output Shaft (B)	-	-	-	(A)	904	919	(A)	904	919	(A)	904	919	(A)	904	919
6.06	Output RPM	-	-	-	569	289	191	569	289	191	569	289	191	569	289	191
	Input HP (Max) (C)	-	-	-	4.84	2.46	1.63	9.86	5.00	3.32	19.70	10.36	6.86	19.70	10.95	7.26
	Output Torque, In-Lb	-	-	-	536	536	536	1092	1092	1092	2181	2260	2260	2181	2390	2390
	OHL Input Shaft	-	-	-	(A)	346	360	(A)	452	471	(A)	709	739	(A)	843	877
	OHL Output Shaft (B)	-	-	-	(A)	904	919	(A)	904	919	(A)	904	919	(A)	904	919
6.79	Output RPM	508	258	171	508	258	171	508	258	171	508	258	171	508	258	171
	Input HP (Max) (C)	4.00	2.02	1.34	4.84	2.46	1.63	9.86	5.00	3.32	18.29	9.77	6.48	18.29	9.77	6.48
	Output Torque, In-Lb	494	494	494	601	601	601	1223	1223	1223	2269	2390	2390	2269	2390	2390
	OHL Input Shaft	(A)	209	217	(A)	346	360	(A)	456	474	(A)	709	739	(A)	844	878
	OHL Output Shaft (B)	904	904	919	(A)	904	919	(A)	904	919	(A)	904	919	(A)	904	919
6.90	Output RPM	-	-	-	500	254	168	500	254	168	500	254	168	500	254	168
	Input HP (Max) (C)	-	-	-	4.84	2.46	1.63	9.86	5.00	3.32	16.59	10.35	6.86	16.59	11.05	7.75
	Output Torque, In-Lb	-	-	-	611	611	611	1243	1243	1243	2091	2573	2573	2091	2747	2907
	OHL Input Shaft	-	-	-	(A)	346	360	(A)	453	471	(A)	711	740	(A)	844	878
	OHL Output Shaft (B)	-	-	-	(A)	904	919	(A)	904	919	(A)	904	919	(A)	904	919
8.29	Output RPM	-	-	-	416	211	140	416	211	140	416	211	140	416	211	140
	Input HP (Max) (C)	-	-	-	4.84	2.46	1.63	9.86	5.00	3.31	14.70	9.80	6.86	14.70	9.80	6.87
	Output Torque, In-Lb	-	-	-	734	734	734	1493	1493	1493	2226	2925	3091	2226	2925	3096
	OHL Input Shaft	-	-	-	(A)	343	360	(A)	454	473	(A)	710	737	(A)	837	878
	OHL Output Shaft (B)	-	-	-	(A)	919	937	(A)	919	937	(A)	919	937	(A)	919	937
9.76	Output RPM	-	-	-	353	179	119	353	179	119	353	179	119	353	179	119
	Input HP (Max) (C)	-	-	-	4.84	2.46	1.63	9.86	5.00	3.32	13.19	8.79	6.17	13.19	8.79	6.17
	Output Torque, In-Lb	-	-	-	864	864	864	1758	1758	1758	2352	3090	3270	2352	3090	3270
	OHL Input Shaft	-	-	-	(A)	346	360	(A)	452	471	(A)	711	739	(A)	839	871
	OHL Output Shaft (B)	-	-	-	904	919	937	904	919	937	904	919	937	904	919	937
10.93	Output RPM	316	160	106	316	160	106	316	160	106	316	160	106	316	160	106
	Input HP (Max) (C)	3.98	2.02	1.34	4.85	2.46	1.63	9.87	5.00	3.32	12.23	8.15	5.72	12.23	8.15	5.72
	Output Torque, In-Lb	795	795	795	968	968	968	1970	1970	1970	2442	3208	3396	2442	3208	3396
	OHL Input Shaft	(A)	209	218	(A)	346	360	(A)	456	474	(A)	712	740	(A)	840	872
	OHL Output Shaft (B)	904	919	937	904	919	937	904	919	937	904	919	937	904	919	937

(A) (B) (C) - See Footnotes page on inside back cover
Blank areas (-) indicate configuration not available

NOMENCLATURE PAGE ILH-4	STOCK/NON-STOCK PART NUMBERS PAGE ILH-67	DIMENSIONS PAGE ILH-160	THERMAL RATINGS PAGE ILH-335
----------------------------	---	----------------------------	---------------------------------

IN-LINE HELICAL REDUCER (ILH)

SIZE: H_482
60 HZ

Service Factor - 1.0 Clamp Collar / 3 Pc Coupled / Separate
DOUBLE REDUCTION

NEMA MOTOR FRAME IEC MOTOR FRAME SEPARATE GROUP		56C 71D 71			--- 80D 80			140TC 90D 90			180TC 100D 100			--- 112D 112		
RATIO	OUTPUT RATING DATA	3450	1750	1160	3450	1750	1160	3450	1750	1160	3450	1750	1160	3450	1750	1160
12.25	Output RPM	282	143	95	282	143	95	282	143	95	282	143	95	282	143	95
	Input HP (Max) (C)	3.98	2.02	1.34	4.85	2.46	1.63	9.87	5.00	3.32	11.33	7.55	5.30	11.33	7.55	5.30
	Output Torque, In-Lb	891	891	891	1085	1085	1085	2208	2208	2208	2535	3331	3525	2535	3331	3525
	OHL Input Shaft OHL Output Shaft (B)	(A) 904	209 937	217 1142	(A) 904	346 937	360 1142	(A) 904	456 937	474 1142	(A) 904	712 937	740 1142	(A) 904	837 937	873 1142
13.38	Output RPM	258	131	87	258	131	87	258	131	87	258	131	87	258	131	87
	Input HP (Max) (C)	3.98	2.02	1.34	4.84	2.46	1.63	9.86	5.00	3.32	10.67	7.11	4.99	10.67	7.11	4.99
	Output Torque, In-Lb	973	973	973	1184	1184	1184	2410	2410	2410	2609	3427	3627	2609	3427	3627
	OHL Input Shaft OHL Output Shaft (B)	(A) 904	211 937	219 1142	(A) 904	346 937	360 1142	(A) 904	455 937	474 1142	(A) 904	713 937	741 1142	(A) 904	838 937	870 1142
14.68	Output RPM	235	119	79	235	119	79	235	119	79	235	119	79	235	119	79
	Input HP (Max) (C)	3.98	2.02	1.34	4.85	2.46	1.63	9.87	5.00	3.32	10.03	6.68	4.69	10.03	6.68	4.69
	Output Torque, In-Lb	1068	1068	1068	1300	1300	1300	2646	2646	2646	2689	3532	3738	2689	3532	3738
	OHL Input Shaft OHL Output Shaft (B)	(A) 919	210 937	219 1142	(A) 919	346 937	360 1142	(A) 919	454 937	473 1142	(A) 919	713 937	741 1142	(A) 919	839 937	871 1142
16.17	Output RPM	213	108	72	213	108	72	213	108	72	213	108	72	213	108	72
	Input HP (Max) (C)	3.98	2.02	1.34	4.84	2.46	1.63	9.39	5.00	3.32	9.39	6.26	4.39	9.39	6.26	4.39
	Output Torque, In-Lb	1176	1176	1176	1431	1431	1431	2774	2913	2913	2774	3643	3856	2774	3643	3856
	OHL Input Shaft OHL Output Shaft (B)	(A) 919	210 937	218 1142	(A) 919	346 937	360 1142	(A) 919	453 937	472 1142	(A) 919	713 937	742 1142	(A) 919	840 937	872 1142
17.55	Output RPM	197	100	66	197	100	66	197	100	66	197	100	66	197	100	66
	Input HP (Max) (C)	3.98	2.02	1.34	4.84	2.46	1.63	8.88	4.86	3.32	8.88	5.91	4.15	8.88	5.91	4.15
	Output Torque, In-Lb	1276	1276	1276	1553	1553	1553	2846	3071	3162	2846	3738	3957	2846	3738	3957
	OHL Input Shaft OHL Output Shaft (B)	(A) 919	209 1142	218 1142	(A) 919	346 1142	360 1142	(A) 919	452 1142	470 1142	(A) 919	713 1142	742 1142	(A) 919	842 1142	875 1142
19.13	Output RPM	180	91	61	180	91	61	180	91	61	180	91	61	180	91	61
	Input HP (Max) (C)	3.87	2.02	1.34	4.84	2.46	1.63	8.37	4.65	3.22	8.37	5.58	3.83	8.37	5.58	3.83
	Output Torque, In-Lb	1353	1391	1391	1693	1693	1693	2924	3206	3343	2924	3842	3983	2924	3842	3983
	OHL Input Shaft OHL Output Shaft (B)	(A) 919	210 1142	218 1517	(A) 919	346 1142	359 1517	(A) 919	452 1142	472 1517	(A) 919	714 1142	742 1517	(A) 919	841 1142	874 1517
20.95	Output RPM	165	84	55	165	84	55	165	84	55	165	84	55	165	84	55
	Input HP (Max) (C)	3.61	1.96	1.34	4.84	2.46	1.63	7.87	4.44	3.07	7.87	5.24	3.50	7.87	5.24	3.50
	Output Torque, In-Lb	1383	1482	1523	1854	1854	1854	3011	3352	3495	3011	3954	3983	3011	3954	3983
	OHL Input Shaft OHL Output Shaft (B)	(A) 919	209 1142	217 1517	(A) 919	345 1142	359 1517	(A) 919	454 1142	472 1517	(A) 919	714 1142	743 1517	(A) 919	841 1142	875 1517
23.07	Output RPM	150	76	50	150	76	50	150	76	50	150	76	50	-	-	-
	Input HP (Max) (C)	3.35	1.82	1.25	4.85	2.46	1.63	7.37	4.23	2.92	7.37	4.79	3.18	-	-	-
	Output Torque, In-Lb	1413	1514	1569	2042	2042	2042	3104	3512	3661	3104	3983	3983	-	-	-
	OHL Input Shaft OHL Output Shaft (B)	(A) 937	209 1142	218 1517	(A) 937	345 1142	359 1517	(A) 937	454 1142	471 1517	(A) 937	714 1142	7y43 1517	-	-	-

(A) (B) (C) - See Footnotes page on inside back cover
Blank areas (-) indicate configuration not available

NOMENCLATURE PAGE ILH-4	STOCK/NON-STOCK PART NUMBERS PAGE ILH-67	DIMENSIONS PAGE ILH-160	THERMAL RATINGS PAGE ILH-335
----------------------------	---	----------------------------	---------------------------------

IN-LINE HELICAL REDUCER (ILH)

SIZE: H_482
60 HZ

Service Factor - 1.0 Clamp Collar / 3 Pc Coupled / Separate
DOUBLE REDUCTION

NEMA MOTOR FRAME IEC MOTOR FRAME SEPARATE GROUP		56C 71D 71			--- 80D 80			140TC 90D 90			180TC 100D 100			--- 112D 112		
RATIO	OUTPUT RATING DATA	3450	1750	1160	3450	1750	1160	3450	1750	1160	3450	1750	1160	3450	1750	1160
26.53	Output RPM	130	66	44	130	66	44	130	66	44	130	66	44	-	-	-
	Input HP (Max) (C)	3.00	1.63	1.12	4.85	2.46	1.63	6.69	3.92	2.71	6.69	4.17	2.76	-	-	-
	Output Torque, In-Lb	1453	1557	1614	2348	2348	2348	3241	3749	3910	3241	3983	3983	-	-	-
	OHL Input Shaft OHL Output Shaft (B)	(A) 937 1142	210 1517	217 1517	(A) 937 1142	344 1517	358 1517	(A) 937 1142	453 1517	471 1517	(A) 937 1142	714 1517	743 1517	-	-	-
28.74	Output RPM	120	61	40	120	61	40	120	61	40	120	61	40	-	-	-
	Input HP (Max) (C)	2.81	1.53	1.05	4.85	2.46	1.63	6.33	3.77	2.55	6.33	3.85	2.55	-	-	-
	Output Torque, In-Lb	1475	1580	1638	2544	2544	2544	3324	3905	3983	3324	3983	3983	-	-	-
	OHL Input Shaft OHL Output Shaft (B)	(A) 937 1517	210 1517	219 1517	(A) 937 1517	343 1517	357 1517	(A) 937 1517	453 1517	471 1517	(A) 937 1517	714 1517	744 1517	-	-	-
31.77	Output RPM	109	55	37	109	55	37	109	55	37	109	55	37	-	-	-
	Input HP (Max) (C)	2.59	1.40	0.97	4.67	2.40	1.63	5.91	3.48	2.31	5.91	3.48	2.31	-	-	-
	Output Torque, In-Lb	1500	1607	1666	2712	2743	2812	3429	3983	3983	3429	3983	3983	-	-	-
	OHL Input Shaft OHL Output Shaft (B)	(A) 937 1517	210 1517	218 1884	(A) 937 1517	343 1517	356 1884	(A) 937 1517	453 1884	472 1884	(A) 937 1517	715 1517	744 1884	-	-	-
37.06	Output RPM	93	47	31	93	47	31	93	47	31	-	-	-	-	-	-
	Input HP (Max) (C)	2.27	1.23	0.85	4.24	2.17	1.53	5.31	2.98	1.98	-	-	-	-	-	-
	Output Torque, In-Lb	1536	1646	1706	2868	2902	3076	3598	3983	3983	-	-	-	-	-	-
	OHL Input Shaft OHL Output Shaft (B)	(A) 1142 1517	210 1517	217 1884	(A) 1142 1517	343 1517	360 1884	(A) 1142 1517	455 1884	473 1884	-	-	-	-	-	-
41.26	Output RPM	84	42	28	84	42	28	84	42	28	-	-	-	-	-	-
	Input HP (Max) (C)	2.07	1.12	0.77	3.94	2.02	1.42	4.39	2.68	1.63	-	-	-	-	-	-
	Output Torque, In-Lb	1558	1670	1731	2970	3005	3186	3312	3983	3659	-	-	-	-	-	-
	OHL Input Shaft OHL Output Shaft (B)	(A) 1142 1517	210 1517	(A) 1884 1884	(A) 1142 1517	343 1517	360 1884	(A) 1142 1517	455 1884	473 1884	-	-	-	-	-	-
45.38	Output RPM	76	39	26	76	39	26	76	39	26	-	-	-	-	-	-
	Input HP (Max) (C)	1.90	1.03	0.71	3.19	1.91	1.19	3.19	2.44	1.19	-	-	-	-	-	-
	Output Torque, In-Lb	1577	1690	1752	2645	3120	2922	2645	3983	2922	-	-	-	-	-	-
	OHL Input Shaft OHL Output Shaft (B)	(A) 1142 1884	211 1884	(A) 1884 1884	(A) 1142 1884	343 1884	360 1884	(A) 1142 1884	456 1884	474 1884	-	-	-	-	-	-
51.28	Output RPM	67	34	23	67	34	23	-	-	-	-	-	-	-	-	-
	Input HP (Max) (C)	1.71	0.93	0.64	2.08	1.87	0.77	-	-	-	-	-	-	-	-	-
	Output Torque, In-Lb	1599	1713	1776	1945	3454	2149	-	-	-	-	-	-	-	-	-
	OHL Input Shaft OHL Output Shaft (B)	(A) 1142 1884	211 1884	(A) 1986 1986	(A) 1142 1884	346 1884	360 1884	-	-	-	-	-	-	-	-	-

(A) (B) (C) - See Footnotes page on inside back cover
Blank areas (-) indicate configuration not available

NOMENCLATURE PAGE ILH-4	STOCK/NON-STOCK PART NUMBERS PAGE ILH-67	DIMENSIONS PAGE ILH-160	THERMAL RATINGS PAGE ILH-335
----------------------------	---	----------------------------	---------------------------------

IN-LINE HELICAL REDUCER (ILH)

**SIZE: H_483
60 HZ**

**Service Factor - 1.0 Clamp Collar / 3 Pc Coupled / Separate
TRIPLE REDUCTION**

NEMA MOTOR FRAME IEC MOTOR FRAME SEPARATE GROUP		56C 71D 71			--- 80D 80			140TC 90D 90			180TC 100D 100		
RATIO	OUTPUT RATING DATA	3450	1750	1160	3450	1750	1160	3450	1750	1160	3450	1750	1160
35.59	Output RPM	97	49	33	97	49	33	97	49	33	97	49	33
	Input HP (Max) (C)	3.98	2.02	1.34	4.79	2.46	1.63	4.79	3.11	2.06	4.79	3.11	2.06
	Output Torque, In-Lb	2587	2587	2587	3114	3150	3150	3114	3983	3983	3114	3983	3983
	OHL Input Shaft (A)		209	218		(A) 346	360		(A) 457	475		(A) 715	744
	OHL Output Shaft (B)	1142	1517	1884	1142	1517	1884	1142	1517	1884	1142	1517	1884
41.38	Output RPM	83	42	28	83	42	28	83	42	28	83	42	28
	Input HP (Max) (C)	3.98	2.02	1.34	4.36	2.46	1.63	4.36	2.67	1.77	4.36	2.67	1.77
	Output Torque, In-Lb	3009	3009	3009	3295	3663	3663	3295	3983	3983	3295	3983	3983
	OHL Input Shaft (A)		211	219		(A) 346	360		(A) 457	475		(A) 708	737
	OHL Output Shaft (B)	1142	1517	1884	1142	1517	1884	1142	1517	1884	1142	1517	1884
45.91	Output RPM	75	38	25	75	38	25	75	38	25	75	38	25
	Input HP (Max) (C)	3.98	2.02	1.34	4.08	2.41	1.60	4.08	2.41	1.60	4.08	2.41	1.60
	Output Torque, In-Lb	3338	3338	3338	3418	3983	3983	3418	3983	3983	3418	3983	3983
	OHL Input Shaft (A)		210	219		(A) 346	360		(A) 457	476		(A) 709	738
	OHL Output Shaft (B)	1142	1884	1884	1142	1884	1884	1142	1884	1884	1142	1884	1884
50.00	Output RPM	69	35	23	69	35	23	69	35	23	-	-	-
	Input HP (Max) (C)	3.83	2.02	1.34	3.83	2.21	1.47	3.83	2.21	1.47	-	-	-
	Output Torque, In-Lb	3497	3635	3635	3497	3983	3983	3497	3983	3983	-	-	-
	OHL Input Shaft (A)		210	219		(A) 346	360		(A) 457	476	-	-	-
	OHL Output Shaft (B)	1142	1884	1986	1142	1884	1986	1142	1884	1986	-	-	-
55.92	Output RPM	62	31	21	62	31	21	62	31	21	-	-	-
	Input HP (Max) (C)	3.53	1.98	1.31	3.53	1.98	1.31	3.53	1.98	1.31	-	-	-
	Output Torque, In-Lb	3606	3983	3983	3606	3983	3983	3606	3983	3983	-	-	-
	OHL Input Shaft (A)		210	218		(A) 346	360		(A) 457	476	-	-	-
	OHL Output Shaft (B)	1517	1884	1986	1517	1884	1986	1517	1884	1986	-	-	-
61.14	Output RPM	56	29	19	56	29	19	56	29	19	-	-	-
	Input HP (Max) (C)	3.31	1.81	1.20	3.31	1.81	1.20	3.31	1.81	1.20	-	-	-
	Output Torque, In-Lb	3698	3983	3983	3698	3983	3983	3698	3983	3983	-	-	-
	OHL Input Shaft (A)		210	219		(A) 346	360		(A) 457	476	-	-	-
	OHL Output Shaft (B)	1517	1884	1986	1517	1884	1986	1517	1884	1986	-	-	-
67.10	Output RPM	51	26	17	51	26	17	51	26	17	-	-	-
	Input HP (Max) (C)	3.10	1.65	1.09	3.10	1.65	1.09	3.10	1.65	1.09	-	-	-
	Output Torque, In-Lb	3797	3983	3983	3797	3983	3983	3797	3983	3983	-	-	-
	OHL Input Shaft (A)		210	219		(A) 346	360		(A) 453	471	-	-	-
	OHL Output Shaft (B)	1517	1884	1986	1517	1884	1986	1517	1884	1986	-	-	-
73.99	Output RPM	47	24	16	47	24	16	47	24	16	-	-	-
	Input HP (Max) (C)	2.89	1.49	0.99	2.89	1.49	0.99	2.89	1.49	0.99	-	-	-
	Output Torque, In-Lb	3905	3983	3983	3905	3983	3983	3905	3983	3983	-	-	-
	OHL Input Shaft (A)		211	219		(A) 346	360		(A) 453	472	-	-	-
	OHL Output Shaft (B)	1517	1986	1986	1517	1986	1986	1517	1986	1986	-	-	-
82.02	Output RPM	42	21	14	42	21	14	42	21	14	-	-	-
	Input HP (Max) (C)	2.66	1.35	0.89	2.66	1.35	0.89	2.66	1.35	0.89	-	-	-
	Output Torque, In-Lb	3983	3983	3983	3983	3983	3983	3983	3983	3983	-	-	-
	OHL Input Shaft (A)		209	218		(A) 343	357		(A) 454	473	-	-	-
	OHL Output Shaft (B)	1517	1986	1986	1517	1986	1986	1517	1986	1986	-	-	-

(A) (B) (C) - See Footnotes page on inside back cover
Blank areas (-) indicate configuration not available

NOMENCLATURE PAGE ILH-4	STOCK/NON-STOCK PART NUMBERS PAGE ILH-67	DIMENSIONS PAGE ILH-160	THERMAL RATINGS PAGE ILH-335
----------------------------	---	----------------------------	---------------------------------

IN-LINE HELICAL REDUCER (ILH)

SIZE: H_483

Service Factor - 1.0 Clamp Collar / 3 Pc Coupled / Separate

60 HZ

TRIPLE REDUCTION

NEMA MOTOR FRAME IEC MOTOR FRAME SEPARATE GROUP		56C 71D 71			--- 80D 80			140TC 90D 90			180TC 100D 100		
RATIO	OUTPUT RATING DATA	3450	1750	1160	3450	1750	1160	3450	1750	1160	3450	1750	1160
92.91	Output RPM	37	19	12	37	19	12	37	19	12	-	-	-
	Input HP (Max) (C)	2.35	1.19	0.79	2.35	1.19	0.79	2.35	1.19	0.79	-	-	-
	Output Torque, In-Lb	3983	3983	3983	3983	3983	3983	3983	3983	3983	-	-	-
	OHL Input Shaft OHL Output Shaft (B)	(A) 209 1884	209 1986	218 1986	(A) 344 1884	344 1986	358 1986	(A) 455 1884	455 1986	473 1986	-	-	-
102.52	Output RPM	34	17	11	34	17	11	34	17	11	-	-	-
	Input HP (Max) (C)	2.13	1.08	0.72	2.13	1.08	0.72	2.13	1.08	0.72	-	-	-
	Output Torque, In-Lb	3983	3983	3983	3983	3983	3983	3983	3983	3983	-	-	-
	OHL Input Shaft OHL Output Shaft (B)	(A) 210 1884	210 1986	218 1986	(A) 344 1884	344 1986	358 1986	(A) 456 1884	456 1986	474 1986	-	-	-
115.91	Output RPM	30	15	10	30	15	10	30	15	10	-	-	-
	Input HP (Max) (C)	1.88	0.95	0.63	1.88	0.95	0.63	1.88	0.95	0.63	-	-	-
	Output Torque, In-Lb	3983	3983	3983	3983	3983	3983	3983	3983	3983	-	-	-
	OHL Input Shaft OHL Output Shaft (B)	(A) 210 1884	210 1986	219 1986	(A) 345 1884	345 1986	359 1986	(A) 456 1884	456 1986	474 1986	-	-	-
132.34	Output RPM	26	13	9	26	13	9	26	13	9	-	-	-
	Input HP (Max) (C)	1.65	0.84	0.55	1.65	0.84	0.55	1.65	0.84	0.55	-	-	-
	Output Torque, In-Lb	3983	3983	3983	3983	3983	3983	3983	3983	3983	-	-	-
	OHL Input Shaft OHL Output Shaft (B)	(A) 211 1884	211 1986	219 1986	(A) 345 1884	345 1986	359 1986	(A) 457 1884	457 1986	475 1986	-	-	-
150.48	Output RPM	23	12	8	23	12	8	-	-	-	-	-	-
	Input HP (Max) (C)	1.45	0.73	0.49	1.45	0.73	0.49	-	-	-	-	-	-
	Output Torque, In-Lb	3983	3983	3983	3983	3983	3983	-	-	-	-	-	-
	OHL Input Shaft OHL Output Shaft (B)	(A) 211 1986	211 1986	219 1986	(A) 346 1986	346 1986	360 1986	-	-	-	-	-	-
161.05	Output RPM	21	11	7	-	-	-	-	-	-	-	-	-
	Input HP (Max) (C)	1.35	0.69	0.46	-	-	-	-	-	-	-	-	-
	Output Torque, In-Lb	3983	3983	3983	-	-	-	-	-	-	-	-	-
	OHL Input Shaft OHL Output Shaft (B)	(A) 211 1986	211 1986	219 1986	-	-	-	-	-	-	-	-	-
185.66	Output RPM	19	9	6	-	-	-	-	-	-	-	-	-
	Input HP (Max) (C)	1.17	0.60	0.39	-	-	-	-	-	-	-	-	-
	Output Torque, In-Lb	3983	3983	3983	-	-	-	-	-	-	-	-	-
	OHL Input Shaft OHL Output Shaft (B)	(A) 211 1986	211 1986	220 1986	-	-	-	-	-	-	-	-	-
208.77	Output RPM	17	8	6	-	-	-	-	-	-	-	-	-
	Input HP (Max) (C)	1.04	0.53	0.35	-	-	-	-	-	-	-	-	-
	Output Torque, In-Lb	3983	3983	3983	-	-	-	-	-	-	-	-	-
	OHL Input Shaft OHL Output Shaft (B)	(A) 211 1986	211 1986	220 1986	-	-	-	-	-	-	-	-	-

(A) (B) (C) - See Footnotes page on inside back cover
Blank areas (-) indicate configuration not available

NOMENCLATURE PAGE ILH-4	STOCK/NON-STOCK PART NUMBERS PAGE ILH-67	DIMENSIONS PAGE ILH-160	THERMAL RATINGS PAGE ILH-335
----------------------------	---	----------------------------	---------------------------------

IN-LINE HELICAL REDUCER (ILH)

SIZE: H_681
60 HZ

Service Factor - 1.0 Clamp Collar / 3 Pc Coupled / Separate
SINGLE REDUCTION

NEMA MOTOR FRAME		56C	---	140TC	180TC	---	210TC
IEC MOTOR FRAME		71D	80D	90D	100D	112D	132D
SEPARATE GROUP		71	80	90	100	112	132
RATIO	OUTPUT RATING DATA	1750	1750	1750	1750	1750	1750
1.41	Output RPM	-	-	-	1242	1242	1242
	Input HP (Max) (C)	-	-	-	10.36	13.87	22.38
	Output Torque, In-Lb	-	-	-	526	704	1136
	OHL Input Shaft	-	-	-	190	230	390
	OHL Output Shaft (B)	-	-	-	-	-	-
1.70	Output RPM	-	-	-	1029	1029	1029
	Input HP (Max) (C)	-	-	-	10.36	13.83	21.10
	Output Torque, In-Lb	-	-	-	634	847	1292
	OHL Input Shaft	-	-	-	190	230	390
	OHL Output Shaft (B)	-	-	-	-	-	-
2.04	Output RPM	-	858	858	858	858	858
	Input HP (Max) (C)	-	2.46	5.00	10.36	13.07	19.74
	Output Torque, In-Lb	-	181	368	761	961	1450
	OHL Input Shaft	-	55	140	190	230	390
	OHL Output Shaft (B)	-	140	140	140	140	140
2.39	Output RPM	-	732	732	732	732	732
	Input HP (Max) (C)	-	2.46	5.00	9.90	12.33	18.46
	Output Torque, In-Lb	-	212	431	852	1062	1590
	OHL Input Shaft	-	55	140	190	230	390
	OHL Output Shaft (B)	-	111	111	111	111	111
2.85	Output RPM	-	614	614	614	614	614
	Input HP (Max) (C)	-	2.46	5.00	9.24	11.46	17.04
	Output Torque, In-Lb	-	252	514	948	1177	1749
	OHL Input Shaft	-	55	140	190	230	390
	OHL Output Shaft (B)	-	52	52	52	52	52
3.09	Output RPM	566	566	566	566	566	566
	Input HP (Max) (C)	2.02	2.46	4.86	8.92	11.05	16.41
	Output Torque, In-Lb	225	274	541	993	1230	1827
	OHL Input Shaft	55	55	140	190	230	390
	OHL Output Shaft (B)	52	52	52	52	52	52
3.45	Output RPM	507	507	507	507	507	507
	Input HP (Max) (C)	2.02	2.46	4.65	8.47	10.49	15.60
	Output Torque, In-Lb	251	305	577	1053	1303	1938
	OHL Input Shaft	55	55	140	190	230	390
	OHL Output Shaft (B)	68	68	68	68	68	68
3.74	Output RPM	468	468	468	468	468	468
	Input HP (Max) (C)	2.02	2.46	4.48	8.15	10.09	15.05
	Output Torque, In-Lb	272	331	604	1096	1358	2026
	OHL Input Shaft	55	55	140	190	230	390
	OHL Output Shaft (B)	73	73	73	73	73	73

(A) (B) (C) - See Footnotes page on inside back cover
Blank areas (-) indicate configuration not available

NOMENCLATURE PAGE ILH-4	STOCK/NON-STOCK PART NUMBERS PAGE ILH-67	DIMENSIONS PAGE ILH-198	THERMAL RATINGS PAGE ILH-335
----------------------------	---	----------------------------	---------------------------------

SELECTION



IN-LINE HELICAL REDUCER (ILH)

SIZE: H_681
60 HZ

Service Factor - 1.0 Clamp Collar / 3 Pc Coupled / Separate
SINGLE REDUCTION

NEMA MOTOR FRAME IEC MOTOR FRAME SEPARATE GROUP		56C 71D 71	--- 80D 80	140TC 90D 90	180TC 100D 100	--- 112D 112	210TC 132D 132
RATIO	OUTPUT RATING DATA	1750	1750	1750	1750	1750	1750
4.24	Output RPM	413	413	413	413	413	413
	Input HP (Max) (C)	2.02	2.46	4.22	7.64	9.47	13.35
	Output Torque, In-Lb	308	375	644	1166	1445	2036
	OHL Input Shaft	55	55	140	190	230	390
	OHL Output Shaft (B)	160	160	160	160	160	160
4.56	Output RPM	384	384	384	384	384	384
	Input HP (Max) (C)	2.02	2.46	4.07	7.36	9.15	11.85
	Output Torque, In-Lb	332	404	668	1209	1503	1947
	OHL Input Shaft	55	55	140	190	230	390
	OHL Output Shaft (B)	160	160	160	160	160	160
4.93	Output RPM	355	355	355	355	355	355
	Input HP (Max) (C)	2.02	2.46	3.90	7.06	8.81	11.21
	Output Torque, In-Lb	359	437	693	1255	1566	1191
	OHL Input Shaft	55	55	140	190	230	390
	OHL Output Shaft (B)	453	453	453	453	453	453
5.36	Output RPM	327	327	327	327	327	327
	Input HP (Max) (C)	2.02	2.46	3.73	6.78	8.50	10.09
	Output Torque, In-Lb	389	474	720	1308	1641	1947
	OHL Input Shaft	55	55	140	190	230	390
	OHL Output Shaft (B)	453	453	453	453	453	453
5.92	Output RPM	295	295	295	295	295	295
	Input HP (Max) (C)	1.93	2.46	3.53	6.44	7.88	7.88
	Output Torque, In-Lb	413	524	752	1375	1682	1682
	OHL Input Shaft	55	55	140	190	230	390
	OHL Output Shaft (B)	453	453	453	453	453	453
6.42	Output RPM	273	273	273	273	273	273
	Input HP (Max) (C)	1.85	2.46	3.37	6.22	6.51	6.51
	Output Torque, In-Lb	428	568	779	1438	1505	1505
	OHL Input Shaft	55	55	140	190	230	390
	OHL Output Shaft (B)	657	657	657	657	657	657
7.23	Output RPM	242	242	242	242	242	-
	Input HP (Max) (C)	1.73	2.32	3.16	5.10	5.10	-
	Output Torque, In-Lb	451	604	822	1328	1328	-
	OHL Input Shaft	55	55	140	190	230	-
	OHL Output Shaft (B)	657	657	657	657	657	-
7.92	Output RPM	221	221	221	221	221	-
	Input HP (Max) (C)	1.65	2.19	3.00	5.28	5.28	-
	Output Torque, In-Lb	469	625	856	1505	1505	-
	OHL Input Shaft	55	55	140	190	230	-
	OHL Output Shaft (B)	1078	1078	1078	1078	1078	-

(A) (B) (C) - See Footnotes page on inside back cover
Blank areas (-) indicate configuration not available

NOMENCLATURE PAGE ILH-4	STOCK/NON-STOCK PART NUMBERS PAGE ILH-67	DIMENSIONS PAGE ILH-198	THERMAL RATINGS PAGE ILH-335
----------------------------	---	----------------------------	---------------------------------

SELECTION



IN-LINE HELICAL REDUCER (ILH)

SIZE: H_681
60 HZ

Service Factor - 1.0 Clamp Collar / 3 Pc Coupled / Separate
SINGLE REDUCTION

NEMA MOTOR FRAME		56C	---	140TC	180TC	---	210TC
IEC MOTOR FRAME		71D	80D	90D	100D	112D	132D
SEPARATE GROUP		71	80	90	100	112	132
RATIO	OUTPUT RATING DATA	1750	1750	1750	1750	1750	1750
8.82	Output RPM	198	198	198	198	-	-
	Input HP (Max) (C)	1.55	2.06	2.81	4.18	-	-
	Output Torque, In-Lb	491	653	892	1328	-	-
	OHL Input Shaft	55	55	140	190	-	-
	OHL Output Shaft (B)	1078	1078	1078	1078	-	-
10.08	Output RPM	174	174	174	-	-	-
	Input HP (Max) (C)	1.43	1.88	2.32	-	-	-
	Output Torque, In-Lb	518	684	841	-	-	-
	OHL Input Shaft	55	55	140	-	-	-
	OHL Output Shaft (B)	1366	1366	1366	-	-	-
11.18	Output RPM	157	157	157	-	-	-
	Input HP (Max) (C)	1.33	1.75	2.02	-	-	-
	Output Torque, In-Lb	536	706	814	-	-	-
	OHL Input Shaft	55	55	140	-	-	-
	OHL Output Shaft (B)	1366	1366	1366	-	-	-
12.40	Output RPM	141	141	141	-	-	-
	Input HP (Max) (C)	1.24	1.53	1.61	-	-	-
	Output Torque, In-Lb	553	684	717	-	-	-
	OHL Input Shaft	55	55	140	-	-	-
	OHL Output Shaft (B)	1366	1366	1366	-	-	-

(A) (B) (C) - See Footnotes page on inside back cover
Blank areas (-) indicate configuration not available

NOMENCLATURE PAGE ILH-4	STOCK/NON-STOCK PART NUMBERS PAGE ILH-67	DIMENSIONS PAGE ILH-198	THERMAL RATINGS PAGE ILH-335
----------------------------	---	----------------------------	---------------------------------

IN-LINE HELICAL REDUCER (ILH)

SIZE: H_682
60 HZ

Service Factor - 1.0 Clamp Collar / 3 Pc Coupled / Separate

DOUBLE REDUCTION

NEMA MOTOR FRAME IEC MOTOR FRAME SEPARATE GROUP		56C 71D 71			--- 80D 80			140TC 90D 90			180TC 100D 100			--- 112D 112			210TC 132D 132		
RATIO	OUTPUT RATING DATA	3450	1750	1160	3450	1750	1160	3450	1750	1160	3450	1750	1160	3450	1750	1160	3450	1750	1160
3.49	Output RPM	-	-	-	-	-	-	-	-	-	989	501	332	989	501	332	989	501	332
	Input HP (Max) (C)	-	-	-	-	-	-	-	-	-	20.44	10.37	6.87	27.38	13.89	9.20	39.98	26.64	18.15
	Output Torque, In-Lb	-	-	-	-	-	-	-	-	-	1303	1303	1303	1745	1745	1745	2549	3349	3441
	OHL Input Shaft	-	-	-	-	-	-	-	-	-	(A)	713	742	(A)	843	877	(A)	948	986
	OHL Output Shaft (B)	-	-	-	-	-	-	-	-	-	(A)	1498	904	(A)	1498	904	(A)	1498	1466
4.22	Output RPM	-	-	-	-	-	-	-	-	-	818	415	275	818	415	275	818	415	275
	Input HP (Max) (C)	-	-	-	-	-	-	-	-	-	20.40	10.35	6.86	27.31	13.85	9.18	37.46	24.96	17.08
	Output Torque, In-Lb	-	-	-	-	-	-	-	-	-	1573	1573	1573	2106	2106	2106	2888	3794	3915
	OHL Input Shaft	-	-	-	-	-	-	-	-	-	(A)	713	742	(A)	843	877	(A)	947	985
	OHL Output Shaft (B)	-	-	-	-	-	-	-	-	-	(A)	1473	1466	(A)	1473	1466	(A)	1473	1466
5.06	Output RPM	-	-	-	682	346	229	682	346	229	682	346	229	682	346	229	682	346	229
	Input HP (Max) (C)	-	-	-	4.84	2.46	1.63	9.86	5.00	3.32	20.41	10.35	6.86	27.34	13.87	9.19	34.92	23.27	15.78
	Output Torque, In-Lb	-	-	-	448	448	448	912	912	912	1887	1887	1887	2527	2527	2527	3228	4241	4337
	OHL Input Shaft	-	-	-	(A)	346	360	(A)	453	471	(A)	711	740	(A)	840	875	(A)	947	985
	OHL Output Shaft (B)	-	-	-	(A)	1466	1057	(A)	1466	1057	(A)	1466	1057	(A)	1466	1057	(A)	1466	1057
5.93	Output RPM	-	-	-	582	295	196	582	295	196	582	295	196	582	295	196	582	295	196
	Input HP (Max) (C)	-	-	-	4.85	2.46	1.63	9.86	5.00	3.32	20.42	10.36	6.87	27.34	13.87	9.19	32.62	20.31	13.46
	Output Torque, In-Lb	-	-	-	525	525	525	1069	1069	1069	2212	2212	2212	2962	2962	2962	3534	4337	4337
	OHL Input Shaft	-	-	-	(A)	346	360	(A)	454	472	(A)	707	737	(A)	836	872	(A)	952	992
	OHL Output Shaft (B)	-	-	-	(A)	1466	1057	(A)	1466	1057	(A)	1466	1057	(A)	1466	1057	(A)	1466	1057
6.72	Output RPM	-	-	-	-	-	-	-	-	-	513	260	173	513	260	173	513	260	173
	Input HP (Max) (C)	-	-	-	-	-	-	-	-	-	20.42	10.36	6.87	27.34	13.87	9.19	37.03	24.68	17.31
	Output Torque, In-Lb	-	-	-	-	-	-	-	-	-	2507	2507	2507	3356	3356	3356	4546	5973	6320
	OHL Input Shaft	-	-	-	-	-	-	-	-	-	(A)	713	742	(A)	843	877	(A)	953	986
	OHL Output Shaft (B)	-	-	-	-	-	-	-	-	-	(A)	1466	1057	(A)	1466	1057	(A)	1466	1057
8.11	Output RPM	-	-	-	-	-	-	-	-	-	425	216	143	425	216	143	425	216	143
	Input HP (Max) (C)	-	-	-	-	-	-	-	-	-	20.41	10.35	6.86	27.33	13.86	9.19	33.73	22.48	15.77
	Output Torque, In-Lb	-	-	-	-	-	-	-	-	-	3024	3024	3024	4049	4049	4049	4997	6565	6948
	OHL Input Shaft	-	-	-	-	-	-	-	-	-	(A)	713	742	(A)	843	877	(A)	954	985
	OHL Output Shaft (B)	-	-	-	-	-	-	-	-	-	(A)	1057	962	(A)	1057	962	(A)	1057	962
9.73	Output RPM	-	-	-	355	180	119	355	180	119	355	180	119	355	180	119	355	180	119
	Input HP (Max) (C)	-	-	-	4.84	2.46	1.63	9.86	5.00	3.32	20.42	10.36	6.86	27.34	13.87	9.19	30.28	20.17	13.39
	Output Torque, In-Lb	-	-	-	861	861	861	1753	1753	1753	3629	3629	3629	4859	4859	4859	5382	7067	7081
	OHL Input Shaft	-	-	-	(A)	346	360	(A)	453	471	(A)	711	740	(A)	840	875	(A)	955	985
	OHL Output Shaft (B)	-	-	-	1466	1057	962	1466	1057	962	1466	1057	962	1466	1057	962	1466	1057	962
11.40	Output RPM	-	-	-	303	154	102	303	154	102	303	154	102	303	154	102	303	154	102
	Input HP (Max) (C)	-	-	-	4.85	2.46	1.63	9.87	5.01	3.32	20.43	10.36	6.87	27.25	13.87	9.20	27.25	17.25	11.43
	Output Torque, In-Lb	-	-	-	1009	1009	1009	2055	2055	2055	4254	4254	4254	5676	5696	5696	5676	7081	7081
	OHL Input Shaft	-	-	-	(A)	346	360	(A)	454	472	(A)	707	737	(A)	836	872	(A)	957	992
	OHL Output Shaft (B)	-	-	-	1466	962	962	1466	962	962	1466	962	962	1466	962	962	1466	962	962

(A) (B) (C) - See Footnotes page on inside back cover
Blank areas (-) indicate configuration not available

NOMENCLATURE PAGE ILH-4	STOCK/NON-STOCK PART NUMBERS PAGE ILH-67	DIMENSIONS PAGE ILH-200	THERMAL RATINGS PAGE ILH-335
----------------------------	---	----------------------------	---------------------------------

IN-LINE HELICAL REDUCER (ILH)

**SIZE: H_682
60 HZ**

**Service Factor - 1.0 Clamp Collar / 3 Pc Coupled / Separate
DOUBLE REDUCTION**

NEMA MOTOR FRAME IEC MOTOR FRAME SEPARATE GROUP		56C 71D 71			--- 80D 80			140TC 90D 90			180TC 100D 100			--- 112D 112			210TC 132D 132		
RATIO	OUTPUT RATING DATA	3450	1750	1160	3450	1750	1160	3450	1750	1160	3450	1750	1160	3450	1750	1160	3450	1750	1160
13.59	Output RPM	-	-	-	254	129	85	254	129	85	254	129	85	254	129	85	254	129	85
	Input HP (Max) (C)	-	-	-	4.85	2.46	1.63	9.86	5.00	3.32	20.42	10.36	6.87	24.22	13.74	9.19	24.22	14.47	9.59
	Output Torque, In-Lb	-	-	-	1203	1203	1203	2449	2449	2449	5070	5070	5070	6013	6726	6789	6013	7081	7081
	OHL Input Shaft	-	-	-	(A)	346	360	(A)	456	470	(A)	708	738	(A)	838	873	(A)	957	990
	OHL Output Shaft (B)	-	-	-	1466	962	1306	1466	962	1306	1466	962	1306	1466	962	1306	1466	962	1306
14.74	Output RPM	234	119	79	234	119	79	234	119	79	234	119	79	234	119	79	234	119	79
	Input HP (Max) (C)	3.98	2.02	1.34	4.85	2.46	1.63	9.86	5.00	3.32	19.95	10.36	6.87	22.93	13.25	8.84	22.92	13.34	8.84
	Output Torque, In-Lb	1072	1072	1072	1305	1305	1305	2656	2656	2656	5373	5499	5499	6173	7031	7081	6173	7081	7081
	OHL Input Shaft	(A)	218	226	(A)	346	360	(A)	456	474	(A)	712	736	(A)	828	872	(A)	958	991
	OHL Output Shaft (B)	1057	962	1306	1057	962	1306	1057	962	1306	1057	962	1306	1057	962	1306	1057	962	1306
16.45	Output RPM	210	106	71	210	106	71	210	106	71	210	106	71	210	106	71	210	106	71
	Input HP (Max) (C)	3.98	2.02	1.34	4.85	2.46	1.63	9.87	5.00	3.32	18.96	9.95	6.85	21.29	11.95	7.92	21.29	11.95	7.92
	Output Torque, In-Lb	1196	1196	1196	1456	1456	1456	2965	2965	2965	5698	5892	6123	6398	7081	7081	6398	7081	7081
	OHL Input Shaft	(A)	218	226	(A)	346	360	(A)	456	474	(A)	695	740	(A)	840	870	(A)	950	995
	OHL Output Shaft (B)	1057	962	1306	1057	962	1306	1057	962	1306	1057	962	1306	1057	962	1306	1057	962	1306
17.82	Output RPM	194	98	65	194	98	65	194	98	65	194	98	65	194	98	65	194	98	65
	Input HP (Max) (C)	3.98	2.02	1.34	4.85	2.46	1.63	9.86	5.00	3.32	18.23	9.56	6.59	20.16	11.03	7.31	20.16	11.03	7.31
	Output Torque, In-Lb	1296	1296	1296	1577	1577	1577	3211	3211	3211	5936	6136	6378	6564	7081	7081	6564	7081	7081
	OHL Input Shaft	(A)	217	226	(A)	346	360	(A)	455	474	(A)	660	740	(A)	837	872	(A)	949	996
	OHL Output Shaft (B)	1057	1306	1306	1057	1306	1306	1057	1306	1306	1057	1306	1306	1057	1306	1306	1057	1306	1306
20.20	Output RPM	171	87	57	171	87	57	171	87	57	171	87	57	171	87	57	171	87	57
	Input HP (Max) (C)	3.98	2.02	1.34	4.84	2.46	1.63	9.47	4.94	3.32	17.10	8.97	6.18	18.52	9.73	6.45	18.52	9.73	6.45
	Output Torque, In-Lb	1469	1469	1469	1788	1788	1788	3493	3593	3639	6309	6524	6781	6833	7081	7081	6833	7081	7081
	OHL Input Shaft	(A)	219	228	(A)	346	360	(A)	454	472	(A)	602	739	(A)	840	875	(A)	952	997
	OHL Output Shaft (B)	1057	1306	1940	1057	1306	1940	1057	1306	1940	1057	1306	1940	1057	1306	1940	1057	1306	1940
21.76	Output RPM	159	80	53	159	80	53	159	80	53	159	80	53	159	80	53	159	80	53
	Input HP (Max) (C)	3.98	2.02	1.34	4.84	2.46	1.63	9.11	4.76	3.29	16.46	8.63	5.95	17.60	9.04	5.99	17.60	9.04	5.99
	Output Torque, In-Lb	1582	1582	1582	1926	1926	1926	3622	3727	3885	6542	6765	7032	6995	7081	7081	6995	7081	7081
	OHL Input Shaft	(A)	218	227	(A)	346	360	(A)	454	471	(A)	566	739	(A)	841	876	(A)	953	997
	OHL Output Shaft (B)	962	1306	1940	962	1306	1940	962	1306	1940	962	1306	1940	962	1306	1940	962	1306	1940
23.53	Output RPM	147	74	49	147	74	49	147	74	49	147	74	49	147	74	49	147	74	49
	Input HP (Max) (C)	3.98	2.02	1.34	4.84	2.46	1.63	8.74	4.56	3.15	15.81	8.29	5.54	16.47	8.36	5.54	16.47	8.36	5.54
	Output Torque, In-Lb	1711	1711	1711	2082	2082	2082	3758	3867	4031	6794	7025	7081	7081	7081	7081	7081	7081	7081
	OHL Input Shaft	(A)	218	227	(A)	346	360	(A)	454	471	(A)	525	740	(A)	842	877	(A)	955	990
	OHL Output Shaft (B)	962	1306	1940	962	1306	1940	962	1306	1940	962	1306	1940	962	1306	1940	962	1306	1940
25.55	Output RPM	135	68	45	135	68	45	135	68	45	135	68	45	135	68	45	135	68	45
	Input HP (Max) (C)	3.98	2.02	1.34	4.84	2.46	1.63	8.36	4.36	3.01	14.88	7.70	5.10	15.17	7.70	5.10	15.17	7.70	5.10
	Output Torque, In-Lb	1858	1858	1858	2261	2261	2261	3901	4014	4185	6943	7081	7081	7081	7081	7081	7081	7081	7081
	OHL Input Shaft	(A)	218	226	(A)	345	359	(A)	454	471	(A)	536	741	(A)	843	877	(A)	956	989
	OHL Output Shaft (B)	962	1306	1940	962	1306	1940	962	1306	1940	962	1306	1940	962	1306	1940	962	1306	1940

(A) (B) (C) - See Footnotes page on inside back cover
Blank areas (-) indicate configuration not available

NOMENCLATURE PAGE ILH-4	STOCK/NON-STOCK PART NUMBERS PAGE ILH-67	DIMENSIONS PAGE ILH-200	THERMAL RATINGS PAGE ILH-335
----------------------------	---	----------------------------	---------------------------------

IN-LINE HELICAL REDUCER (ILH)

SIZE: H_682
60 HZ

Service Factor - 1.0 Clamp Collar / 3 Pc Coupled / Separate
DOUBLE REDUCTION

NEMA MOTOR FRAME IEC MOTOR FRAME SEPARATE GROUP		56C 71D 71			--- 80D 80			140TC 90D 90			180TC 100D 100			--- 112D 112			210TC 132D 132		
RATIO	OUTPUT RATING DATA	3450	1750	1160	3450	1750	1160	3450	1750	1160	3450	1750	1160	3450	1750	1160	3450	1750	1160
28.25	Output RPM	122	62	41	122	62	41	122	62	41	122	62	41	122	62	41	122	62	41
	Input HP (Max) (C)	3.69	2.01	1.34	4.84	2.46	1.63	7.90	4.12	2.85	13.72	6.96	4.61	13.72	6.96	4.61	13.72	6.96	4.61
	Output Torque, In-Lb	1904	2040	2054	2500	2500	2500	4075	4195	4373	7081	7081	7081	7081	7081	7081	7081	7081	7081
	OHL Input Shaft	(A)	217	226	(A)	345	359	(A)	454	471	(A)	566	742	(A)	843	878	(A)	957	992
OHL Output Shaft (B)	962	1940	1940	962	1940	1940	962	1940	1940	962	1940	1940	962	1940	1940	962	1940	1940	
30.60	Output RPM	113	57	38	113	57	38	113	57	38	113	57	38	113	57	38	113	57	38
	Input HP (Max) (C)	3.46	1.88	1.29	4.85	2.46	1.63	7.55	3.94	2.73	12.67	6.43	4.26	12.67	6.43	4.26	12.67	6.43	4.26
	Output Torque, In-Lb	1934	2072	2147	2709	2709	2709	4222	4346	4531	7081	7081	7081	7081	7081	7081	7081	7081	7081
	OHL Input Shaft	(A)	218	227	(A)	344	358	(A)	453	471	(A)	587	742	(A)	844	878	(A)	957	993
OHL Output Shaft (B)	962	1940	2765	962	1940	2765	962	1940	2765	962	1940	2765	962	1940	2765	962	1940	2765	
34.49	Output RPM	100	51	34	100	51	34	100	51	34	100	51	37	100	51	34	-	-	-
	Input HP (Max) (C)	3.14	1.70	1.17	4.84	2.46	1.63	7.06	3.69	2.55	11.24	5.70	3.78	11.24	5.70	3.78	-	-	-
	Output Torque, In-Lb	1975	2116	2193	3052	3052	3052	4449	4582	4777	7081	7081	7081	7081	7081	7081	-	-	-
	OHL Input Shaft	(A)	218	227	(A)	344	357	(A)	453	471	(A)	617	739	(A)	844	879	-	-	-
OHL Output Shaft (B)	962	1940	2765	962	1940	2765	962	1940	2765	962	1940	2765	962	1940	2765	-	-	-	
37.76	Output RPM	91	46	31	91	46	31	91	46	31	91	46	37	91	46	31	-	-	-
	Input HP (Max) (C)	2.90	1.58	1.08	4.60	2.46	1.63	6.72	3.51	2.43	10.27	5.21	3.45	10.24	5.21	3.45	-	-	-
	Output Torque, In-Lb	2004	2146	2225	3176	3342	3342	4636	4773	4978	7081	7081	7081	7063	7081	7081	-	-	-
	OHL Input Shaft	(A)	218	227	(A)	343	356	(A)	457	472	(A)	637	740	(A)	845	879	-	-	-
OHL Output Shaft (B)	1306	1940	2765	1306	1940	2765	1306	1940	2765	1306	1940	2765	1306	1940	2765	-	-	-	
42.06	Output RPM	82	42	28	82	42	28	82	42	28	82	42	37	-	-	-	-	-	-
	Input HP (Max) (C)	2.65	1.44	0.99	4.31	2.36	1.55	6.29	3.29	2.27	7.77	4.67	2.89	-	-	-	-	-	-
	Output Torque, In-Lb	2036	2181	2260	3310	3576	3550	4834	4977	5189	5970	7081	6602	-	-	-	-	-	-
	OHL Input Shaft	(A)	218	227	(A)	343	356	(A)	457	472	(A)	---	741	-	-	-	-	-	-
OHL Output Shaft (B)	1306	1940	2765	1306	1940	2765	1306	1940	2765	1306	1940	2765	-	-	-	-	-	-	
48.09	Output RPM	72	36	24	72	36	24	72	36	24	-	-	-	-	-	-	-	-	-
	Input HP (Max) (C)	2.36	1.28	0.88	3.94	2.16	1.42	5.83	3.04	2.10	-	-	-	-	-	-	-	-	-
	Output Torque, In-Lb	2073	2220	2301	3463	3747	3715	5118	5272	5497	-	-	-	-	-	-	-	-	-
	OHL Input Shaft	(A)	219	227	(A)	343	356	(A)	457	475	-	-	-	-	-	-	-	-	-
OHL Output Shaft (B)	1306	2765	3091	1306	2765	3091	1306	2765	3091	-	-	-	-	-	-	-	-	-	

(A) (B) (C) - See Footnotes page on inside back cover
Blank areas (-) indicate configuration not available

NOMENCLATURE PAGE ILH-4	STOCK/NON-STOCK PART NUMBERS PAGE ILH-67	DIMENSIONS PAGE ILH-200	THERMAL RATINGS PAGE ILH-335
----------------------------	---	----------------------------	---------------------------------

IN-LINE HELICAL REDUCER (ILH)

**SIZE: H_683
60 HZ**

**Service Factor - 1.0 Clamp Collar / 3 Pc Coupled / Separate
TRIPLE REDUCTION**

NEMA MOTOR FRAME IEC MOTOR FRAME SEPARATE GROUP		56C 71D 71			--- 80D 80			140TC 90D 90			180TC 100D 100		
RATIO	OUTPUT RATING DATA	3450	1750	1160	3450	1750	1160	3450	1750	1160	3450	1750	1160
37.80	Output RPM	-	-	-	91	46	31	91	46	31	91	46	31
	Input HP (Max) (C)	-	-	-	4.84	2.46	1.63	7.84	5.00	3.32	7.84	5.20	3.45
	Output Torque, In-Lb	-	-	-	3346	3346	3346	5415	6811	6811	5415	7081	7081
	OHL Input Shaft	-	-	-	(A)	346	360	(A)	453	471	(A)	714	743
	OHL Output Shaft (B)	-	-	-	1306	1940	2765	1306	1940	2765	1306	1940	2765
45.41	Output RPM	-	-	-	76	39	26	76	39	26	76	39	26
	Input HP (Max) (C)	-	-	-	4.85	2.46	1.63	6.97	4.33	2.87	6.97	4.33	2.87
	Output Torque, In-Lb	-	-	-	4019	4019	4019	5780	7081	7081	5780	7081	7081
	OHL Input Shaft	-	-	-	(A)	346	360	(A)	455	473	(A)	715	744
	OHL Output Shaft (B)	-	-	-	1306	2765	2765	1306	2765	2765	1306	2765	2765
53.47	Output RPM	-	-	-	65	33	22	65	33	22	65	33	22
	Input HP (Max) (C)	-	-	-	4.84	2.46	1.63	6.18	3.68	2.44	6.18	3.68	2.44
	Output Torque, In-Lb	-	-	-	4732	4732	4732	6039	7081	7081	6039	7081	7081
	OHL Input Shaft	-	-	-	(A)	346	360	(A)	456	474	(A)	715	744
	OHL Output Shaft (B)	-	-	-	1306	2765	3091	1306	2765	3091	1306	2765	3091
59.91	Output RPM	58	29	19	58	29	19	58	29	19	58	29	19
	Input HP (Max) (C)	3.98	2.02	1.34	4.85	2.46	1.63	5.70	3.28	2.18	5.70	3.28	2.18
	Output Torque, In-Lb	4356	4356	4356	5303	5303	5303	6234	7081	7081	6234	7081	7081
	OHL Input Shaft	(A)	218	227	(A)	346	360	(A)	456	475	(A)	715	744
	OHL Output Shaft (B)	1940	2765	3091	1940	2765	3091	1940	2765	3091	1940	2765	3091
67.14	Output RPM	51	26	17	51	26	17	51	26	17	51	26	17
	Input HP (Max) (C)	3.98	2.02	1.34	4.85	2.46	1.63	5.25	2.93	1.94	5.25	2.93	1.94
	Output Torque, In-Lb	4882	4882	4882	5943	5943	5943	6440	7081	7081	6440	7081	7081
	OHL Input Shaft	(A)	217	226	(A)	346	360	(A)	457	475	(A)	708	737
	OHL Output Shaft (B)	1940	2765	3091	1940	2765	3091	1940	2765	3091	1940	2765	3091
73.30	Output RPM	47	24	16	47	24	16	47	24	16	47	24	16
	Input HP (Max) (C)	3.98	2.02	1.34	4.84	2.46	1.63	4.93	2.68	1.78	4.93	2.68	1.78
	Output Torque, In-Lb	5329	5329	5329	6487	6487	6487	6606	7081	7081	6606	7081	7081
	OHL Input Shaft	(A)	219	228	(A)	346	360	(A)	457	475	(A)	708	737
	OHL Output Shaft (B)	1940	3091	3091	1940	3091	3091	1940	3091	3091	1940	3091	3091
80.46	Output RPM	43	22	14	43	22	14	43	22	14	43	22	14
	Input HP (Max) (C)	3.98	2.02	1.34	4.62	2.44	1.62	4.62	2.44	1.62	4.62	2.44	1.62
	Output Torque, In-Lb	5850	5850	5850	6789	7081	7081	6789	7081	7081	6789	7081	7081
	OHL Input Shaft	(A)	219	227	(A)	346	360	(A)	457	476	(A)	710	738
	OHL Output Shaft (B)	1940	3091	3170	1940	3091	3170	1940	3091	3170	1940	3091	3170
88.59	Output RPM	39	20	13	39	20	13	39	20	13	-	-	-
	Input HP (Max) (C)	3.98	2.02	1.34	4.32	2.22	1.47	4.32	2.22	1.47	-	-	-
	Output Torque, In-Lb	6441	6441	6441	6988	7081	7081	6988	7081	7081	-	-	-
	OHL Input Shaft	(A)	218	227	(A)	346	360	(A)	457	476	-	-	-
	OHL Output Shaft (B)	2765	3091	3170	2765	3091	3170	2765	3091	3170	-	-	-

(A) (B) (C) - See Footnotes page on inside back cover
Blank areas (-) indicate configuration not available

NOMENCLATURE PAGE ILH-4	STOCK/NON-STOCK PART NUMBERS PAGE ILH-67	DIMENSIONS PAGE ILH-200	THERMAL RATINGS PAGE ILH-335
----------------------------	---	----------------------------	---------------------------------

IN-LINE HELICAL REDUCER (ILH)

SIZE: H_683
60 HZ

Service Factor - 1.0 Clamp Collar / 3 Pc Coupled / Separate
TRIPLE REDUCTION

NEMA MOTOR FRAME IEC MOTOR FRAME SEPARATE GROUP		56C 71D 71			--- 80D 80			140TC 90D 90			180TC 100D 100		
RATIO	OUTPUT RATING DATA	3450	1750	1160	3450	1750	1160	3450	1750	1160	3450	1750	1160
96.16	Output RPM	36	18	12	36	18	12	36	18	12	-	-	-
	Input HP (Max) (C)	3.98	2.02	1.34	4.03	2.04	1.36	4.03	2.04	1.36	-	-	-
	Output Torque, In-Lb	6991	6991	6991	7081	7081	7081	7081	7081	7081	-	-	-
	OHL Input Shaft	(A)	217	226	(A)	346	360	(A)	457	476	-	-	-
	OHL Output Shaft (B)	2765	3091	3170	2765	3091	3170	2765	3091	3170	-	-	-
104.80	Output RPM	33	17	11	33	17	11	33	17	11	-	-	-
	Input HP (Max) (C)	3.70	1.88	1.24	3.70	1.88	1.24	3.70	1.88	1.24	-	-	-
	Output Torque, In-Lb	7081	7081	7081	7081	7081	7081	7081	7081	7081	-	-	-
	OHL Input Shaft	(A)	218	227	(A)	346	360	(A)	457	476	-	-	-
	OHL Output Shaft (B)	2765	3091	3170	2765	3091	3170	2765	3091	3170	-	-	-
114.78	Output RPM	30	15	10	30	15	10	30	15	10	-	-	-
	Input HP (Max) (C)	3.38	1.71	1.14	3.38	1.71	1.14	3.38	1.71	1.14	-	-	-
	Output Torque, In-Lb	7081	7081	7081	7081	7081	7081	7081	7081	7081	-	-	-
	OHL Input Shaft	(A)	218	227	(A)	346	360	(A)	457	476	-	-	-
	OHL Output Shaft (B)	2765	3170	3170	2765	3170	3170	2765	3170	3170	-	-	-
126.41	Output RPM	27	14	9	27	14	9	27	14	9	-	-	-
	Input HP (Max) (C)	3.07	1.56	1.03	3.07	1.56	1.03	3.07	1.56	1.03	-	-	-
	Output Torque, In-Lb	7081	7081	7081	7081	7081	7081	7081	7081	7081	-	-	-
	OHL Input Shaft	(A)	219	227	(A)	346	360	(A)	453	471	-	-	-
	OHL Output Shaft (B)	2765	3170	3170	2765	3170	3170	2765	3170	3170	-	-	-
145.38	Output RPM	24	12	8	24	12	8	24	12	8	-	-	-
	Input HP (Max) (C)	2.67	1.35	0.90	2.67	1.35	0.90	2.67	1.35	0.90	-	-	-
	Output Torque, In-Lb	7081	7081	7081	7081	7081	7081	7081	7081	7081	-	-	-
	OHL Input Shaft	(A)	219	228	(A)	346	360	(A)	454	472	-	-	-
	OHL Output Shaft (B)	3091	3170	3170	3091	3170	3170	3091	3170	3170	-	-	-
157.50	Output RPM	22	11	7	22	11	7	22	11	7	-	-	-
	Input HP (Max) (C)	2.46	1.25	0.83	2.46	1.25	0.83	2.46	1.25	0.83	-	-	-
	Output Torque, In-Lb	7081	7081	7081	7081	7081	7081	7081	7081	7081	-	-	-
	OHL Input Shaft	(A)	219	226	(A)	343	357	(A)	454	473	-	-	-
	OHL Output Shaft (B)	3091	3170	3170	3091	3170	3170	3091	3170	3170	-	-	-
174.08	Output RPM	20	10	7	20	10	7	20	10	7	-	-	-
	Input HP (Max) (C)	2.23	1.13	0.75	2.23	1.13	0.75	2.23	1.13	0.75	-	-	-
	Output Torque, In-Lb	7081	7081	7081	7081	7081	7081	7081	7081	7081	-	-	-
	OHL Input Shaft	(A)	219	227	(A)	344	357	(A)	455	473	-	-	-
	OHL Output Shaft (B)	3091	3170	3170	3091	3170	3170	3091	3170	3170	-	-	-
203.09	Output RPM	17	9	6	17	9	6	17	9	6	-	-	-
	Input HP (Max) (C)	1.91	0.97	0.64	1.91	0.97	0.64	1.91	0.97	0.64	-	-	-
	Output Torque, In-Lb	7081	7081	7081	7081	7081	7081	7081	7081	7081	-	-	-
	OHL Input Shaft	(A)	218	227	(A)	345	358	(A)	456	474	-	-	-
	OHL Output Shaft (B)	3091	3170	3170	3091	3170	3170	3091	3170	3170	-	-	-

(A) (B) (C) - See Footnotes page on inside back cover
Blank areas (-) indicate configuration not available

NOMENCLATURE PAGE ILH-4	STOCK/NON-STOCK PART NUMBERS PAGE ILH-67	DIMENSIONS PAGE ILH-200	THERMAL RATINGS PAGE ILH-335
----------------------------	---	----------------------------	---------------------------------

SELECTION



IN-LINE HELICAL REDUCER (ILH)

SIZE: H_683
60 HZ

Service Factor - 1.0 Clamp Collar / 3 Pc Coupled / Separate
TRIPLE REDUCTION

NEMA MOTOR FRAME IEC MOTOR FRAME SEPARATE GROUP		56C 71D 71			--- 80D 80			140TC 90D 90			180TC 100D 100		
RATIO	OUTPUT RATING DATA	3450	1750	1160	3450	1750	1160	3450	1750	1160	3450	1750	1160
226.07	Output RPM	15	8	5	15	8	5	15	8	5	-	-	-
	Input HP (Max) (C)	1.71	0.87	0.58	1.71	0.87	0.58	1.71	0.87	0.58	-	-	-
	Output Torque, In-Lb	7081	7081	7081	7081	7081	7081	7081	7081	7081	-	-	-
	OHL Input Shaft	(A)	219	227	(A)	345	359	(A)	456	474	-	-	-
	OHL Output Shaft (B)	3170	3170	3170	3170	3170	3170	3170	3170	3170	-	-	-
248.68	Output RPM	14	7	5	14	7	5	14	7	5	-	-	-
	Input HP (Max) (C)	1.56	0.79	0.52	1.56	0.79	0.52	1.56	0.79	0.52	-	-	-
	Output Torque, In-Lb	7081	7081	7081	7081	7081	7081	7081	7081	7081	-	-	-
	OHL Input Shaft	(A)	219	228	(A)	345	359	(A)	456	475	-	-	-
	OHL Output Shaft (B)	3170	3170	3170	3170	3170	3170	3170	3170	3170	-	-	-
281.01	Output RPM	12	6	4	12	6	4	-	-	-	-	-	-
	Input HP (Max) (C)	1.38	0.70	0.46	1.38	0.70	0.46	-	-	-	-	-	-
	Output Torque, In-Lb	7081	7081	7081	7081	7081	7081	-	-	-	-	-	-
	OHL Input Shaft	(A)	219	228	(A)	346	359	-	-	-	-	-	-
	OHL Output Shaft (B)	3170	3170	3170	3170	3170	3170	-	-	-	-	-	-

(A) (B) (C) - See Footnotes page on inside back cover
Blank areas (-) indicate configuration not available

NOMENCLATURE PAGE ILH-4	STOCK/NON-STOCK PART NUMBERS PAGE ILH-67	DIMENSIONS PAGE ILH-200	THERMAL RATINGS PAGE ILH-335
----------------------------	---	----------------------------	---------------------------------

SELECTION



IN-LINE HELICAL REDUCER (ILH)

SIZE: H_881
60 HZ

Service Factor - 1.0 Clamp Collar / 3 Pc Coupled / Separate
SINGLE REDUCTION

NEMA MOTOR FRAME IEC MOTOR FRAME SEPARATE GROUP		140TC 90D 90	180TC 100D 100	--- 112D 112	210TC 132D 132	250TC 160D 160
RATIO	OUTPUT RATING DATA	1750	1750	1750	1750	1750
1.71	Output RPM	-	-	1021	1021	1021
	Input HP (Max) (C)	-	-	13.87	25.09	41.56
	Output Torque, In-Lb	-	-	856	1549	2566
	OHL Input Shaft	-	-	230	390	410
	OHL Output Shaft (B)	-	-	-	-	-
2.09	Output RPM	-	837	837	837	837
	Input HP (Max) (C)	-	10.36	13.87	23.80	38.91
	Output Torque, In-Lb	-	780	1044	1792	2930
	OHL Input Shaft	-	190	230	390	410
	OHL Output Shaft (B)	-	-	-	-	-
2.45	Output RPM	-	714	714	714	714
	Input HP (Max) (C)	-	10.36	13.87	22.58	36.58
	Output Torque, In-Lb	-	914	1224	1993	3228
	OHL Input Shaft	-	190	230	390	410
	OHL Output Shaft (B)	-	460	460	460	460
2.88	Output RPM	608	608	608	608	608
	Input HP (Max) (C)	5.00	10.36	13.87	21.24	34.17
	Output Torque, In-Lb	519	1074	1438	2203	3544
	OHL Input Shaft	140	190	230	390	410
	OHL Output Shaft (B)	487	487	487	487	487
3.30	Output RPM	530	530	530	530	530
	Input HP (Max) (C)	5.00	10.36	13.53	20.02	32.15
	Output Torque, In-Lb	595	1233	1610	2383	3826
	OHL Input Shaft	140	190	230	390	410
	OHL Output Shaft (B)	617	617	617	617	617
3.90	Output RPM	449	449	449	449	449
	Input HP (Max) (C)	5.00	10.22	12.65	18.53	24.26
	Output Torque, In-Lb	703	1436	1777	2603	3408
	OHL Input Shaft	140	190	230	390	410
	OHL Output Shaft (B)	690	690	690	690	690
4.23	Output RPM	414	414	414	414	414
	Input HP (Max) (C)	5.00	9.88	12.21	17.84	23.25
	Output Torque, In-Lb	762	1504	1858	2716	3540
	OHL Input Shaft	140	190	230	390	410
	OHL Output Shaft (B)	783	783	783	783	783
4.70	Output RPM	372	372	372	372	372
	Input HP (Max) (C)	4.85	9.43	11.62	16.97	20.13
	Output Torque, In-Lb	822	1595	1967	2873	3408
	OHL Input Shaft	140	190	230	390	410
	OHL Output Shaft (B)	783	783	783	783	783
5.11	Output RPM	343	343	343	343	343
	Input HP (Max) (C)	4.68	9.06	11.17	16.34	17.81
	Output Torque, In-Lb	860	1666	2054	3004	3275
	OHL Input Shaft	140	190	230	390	410
	OHL Output Shaft (B)	1221	1221	1221	1221	1221

(A) (B) (C) - See Footnotes page on inside back cover
Blank areas (-) indicate configuration not available

NOMENCLATURE PAGE ILH-4	STOCK/NON-STOCK PART NUMBERS PAGE ILH-67	DIMENSIONS PAGE ILH-238	THERMAL RATINGS PAGE ILH-335
----------------------------	---	----------------------------	---------------------------------

SELECTION



IN-LINE HELICAL REDUCER (ILH)

SIZE: H_881
60 HZ

Service Factor - 1.0 Clamp Collar / 3 Pc Coupled / Separate
SINGLE REDUCTION

NEMA MOTOR FRAME IEC MOTOR FRAME SEPARATE GROUP		140TC 90D 90	180TC 100D 100	---	210TC 132D 132	250TC 160D 160
RATIO	OUTPUT RATING DATA	1750	1750	1750	1750	1750
5.65	Output RPM	310	310	310	310	310
	Input HP (Max) (C)	4.46	8.63	10.64	13.93	13.93
	Output Torque, In-Lb	906	1755	2164	2832	2832
	OHL Input Shaft	140	190	230	390	410
	OHL Output Shaft (B)	1221	1221	1221	1221	1221
6.06	Output RPM	289	289	289	289	289
	Input HP (Max) (C)	4.30	8.34	10.30	11.35	11.35
	Output Torque, In-Lb	939	1820	2249	2478	2478
	OHL Input Shaft	140	190	230	390	410
	OHL Output Shaft (B)	1221	1221	1221	1221	1221
6.53	Output RPM	268	268	268	268	-
	Input HP (Max) (C)	4.13	8.03	9.96	11.28	-
	Output Torque, In-Lb	972	1890	2434	2655	-
	OHL Input Shaft	140	190	230	390	-
	OHL Output Shaft (B)	1440	1440	1440	1440	-
7.07	Output RPM	247	247	247	247	-
	Input HP (Max) (C)	3.96	7.74	9.64	10.08	-
	Output Torque, In-Lb	1008	1970	2454	2567	-
	OHL Input Shaft	140	190	230	390	-
	OHL Output Shaft (B)	1440	1440	1440	1440	-
7.69	Output RPM	228	228	228	228	-
	Input HP (Max) (C)	3.78	7.45	7.83	7.83	-
	Output Torque, In-Lb	1047	2063	2168	2168	-
	OHL Input Shaft	140	190	230	390	-
	OHL Output Shaft (B)	1690	1690	1690	1690	-
8.42	Output RPM	208	208	208	208	-
	Input HP (Max) (C)	3.59	7.15	7.15	7.15	-
	Output Torque, In-Lb	1089	2168	2168	2168	-
	OHL Input Shaft	140	190	230	390	-
	OHL Output Shaft (B)	1690	1690	1690	1690	-
9.46	Output RPM	185	185	185	-	-
	Input HP (Max) (C)	3.37	5.45	5.45	-	-
	Output Torque, In-Lb	1147	1859	1859	-	-
	OHL Input Shaft	140	190	230	-	-
	OHL Output Shaft (B)	1690	1690	1690	-	-
10.33	Output RPM	169	169	169	-	-
	Input HP (Max) (C)	3.21	5.47	5.47	-	-
	Output Torque, In-Lb	1195	2036	2036	-	-
	OHL Input Shaft	140	190	230	-	-
	OHL Output Shaft (B)	1882	1882	1882	-	-

(A) (B) (C) - See Footnotes page on inside back cover
Blank areas (-) indicate configuration not available

NOMENCLATURE PAGE ILH-4	STOCK/NON-STOCK PART NUMBERS PAGE ILH-67	DIMENSIONS PAGE ILH-238	THERMAL RATINGS PAGE ILH-335
----------------------------	---	----------------------------	---------------------------------

IN-LINE HELICAL REDUCER (ILH)

SIZE: H_882

Service Factor - 1.0 Clamp Collar / 3 Pc Coupled / Separate

60 HZ

DOUBLE REDUCTION

NEMA MOTOR FRAME IEC MOTOR FRAME SEPARATE GROUP		140TC 90D 90			180TC 100D 100			--- 112D 112			210TC 132D 132			250TC 160D 160		
RATIO	OUTPUT RATING DATA	3450	1750	1160	3450	1750	1160	3450	1750	1160	3450	1750	1160	3450	1750	1160
4.87	Output RPM	-	-	-	-	-	-	708	359	238	708	359	238	708	359	238
	Input HP (Max) (C)	-	-	-	-	-	-	27.33	13.86	9.19	56.18	30.17	20.32	89.61	45.45	30.13
	Output Torque, In-Lb	-	-	-	-	-	-	2432	2432	2432	4998	5292	5375	7972	7972	7972
	OHL Input Shaft	-	-	-	-	-	-	(A)	838	872	(A)	946	985	(A)	1378	1582
	OHL Output Shaft (B)	-	-	-	-	-	-	(A)	2656	2252	(A)	2656	2252	(A)	2656	2252
5.94	Output RPM	-	-	-	581	295	195	581	295	195	581	295	195	581	295	195
	Input HP (Max) (C)	-	-	-	20.41	10.35	6.86	27.33	13.86	9.19	53.26	28.61	19.26	87.06	45.45	30.13
	Output Torque, In-Lb	-	-	-	2215	2215	2215	2966	2966	2966	5779	6121	6217	9447	9723	9723
	OHL Input Shaft	-	-	-	(A)	713	742	(A)	843	877	(A)	952	990	(A)	1319	1587
	OHL Output Shaft (B)	-	-	-	(A)	2656	2252	(A)	2656	2252	(A)	2656	2252	(A)	2656	2252
6.96	Output RPM	-	-	-	496	251	167	496	251	167	496	251	167	496	251	167
	Input HP (Max) (C)	-	-	-	20.41	10.35	6.86	27.33	13.86	9.19	50.55	27.15	18.29	77.40	44.49	29.49
	Output Torque, In-Lb	-	-	-	2595	2595	2595	3475	3475	3475	6427	6806	6915	9841	11152	11152
	OHL Input Shaft	-	-	-	(A)	713	742	(A)	843	877	(A)	952	991	(A)	1256	1548
	OHL Output Shaft (B)	-	-	-	(A)	2656	2252	(A)	2656	2252	(A)	2656	2252	(A)	2656	2252
7.59	Output RPM	-	-	-	-	-	-	455	231	153	455	231	153	455	231	153
	Input HP (Max) (C)	-	-	-	-	-	-	27.35	13.87	9.19	56.21	30.18	20.33	64.76	43.15	30.14
	Output Torque, In-Lb	-	-	-	-	-	-	3792	3792	3792	7794	8251	8382	8979	11796	12431
	OHL Input Shaft	-	-	-	-	-	-	(A)	838	872	(A)	946	985	(A)	1403	1582
	OHL Output Shaft (B)	-	-	-	-	-	-	(A)	2252	2954	(A)	2252	2954	(A)	2252	2954
9.26	Output RPM	-	-	-	373	189	125	373	189	125	373	189	125	373	189	125
	Input HP (Max) (C)	-	-	-	20.42	10.36	6.86	27.34	13.87	9.19	53.27	28.62	19.27	56.08	37.37	26.21
	Output Torque, In-Lb	-	-	-	3454	3454	3454	4625	4625	4625	9011	9544	9694	9486	12464	13185
	OHL Input Shaft	-	-	-	(A)	713	742	(A)	843	877	(A)	952	991	(A)	1418	1587
	OHL Output Shaft (B)	-	-	-	2656	2252	2954	2656	2252	2954	2656	2252	2954	2656	2252	2954
10.85	Output RPM	-	-	-	318	161	107	318	161	107	318	161	107	318	161	107
	Input HP (Max) (C)	-	-	-	20.42	10.36	6.87	27.34	13.87	9.19	50.28	27.16	18.29	50.28	33.51	23.50
	Output Torque, In-Lb	-	-	-	4047	4047	4047	5419	5419	5419	9966	10613	10784	9966	13095	13852
	OHL Input Shaft	-	-	-	(A)	711	741	(A)	843	877	(A)	952	991	(A)	1420	1577
	OHL Output Shaft (B)	-	-	-	2656	2252	2954	2656	2252	2954	2656	2252	2954	2656	2252	2954
12.75	Output RPM	271	137	91	271	137	91	271	137	91	271	137	91	271	137	91
	Input HP (Max) (C)	9.87	5.00	3.32	20.42	10.36	6.87	27.35	13.87	9.20	45.20	25.55	17.21	45.20	30.13	21.12
	Output Torque, In-Lb	2298	2298	2298	4757	4757	4757	6370	6370	6370	10529	11734	11924	10529	13834	14631
	OHL Input Shaft	(A)	453	471	(A)	709	738	(A)	841	876	(A)	950	989	(A)	1419	1580
	OHL Output Shaft (B)	2656	2954	3437	2656	2954	3437	2656	2954	3437	2656	2954	3437	2656	2954	3437
14.63	Output RPM	236	120	79	236	120	79	236	120	79	236	120	79	236	120	79
	Input HP (Max) (C)	9.87	5.00	3.32	20.42	10.36	6.87	27.35	13.87	9.19	41.40	24.09	16.22	41.40	27.60	18.71
	Output Torque, In-Lb	2637	2637	2637	5458	5458	5458	7309	7309	7309	11064	12691	12895	11064	14540	14870
	OHL Input Shaft	(A)	454	473	(A)	710	740	(A)	838	873	(A)	948	987	(A)	1416	1586
	OHL Output Shaft (B)	2252	2954	3437	2252	2954	3437	2252	2954	3437	2252	2954	3437	2252	2954	3437

(A) (B) (C) - See Footnotes page on inside back cover
Blank areas (-) indicate configuration not available

NOMENCLATURE PAGE ILH-4	STOCK/NON-STOCK PART NUMBERS PAGE ILH-67	DIMENSIONS PAGE ILH-240	THERMAL RATINGS PAGE ILH-335
----------------------------	---	----------------------------	---------------------------------

IN-LINE HELICAL REDUCER (ILH)

SIZE: H_882
60 HZ

Service Factor - 1.0 Clamp Collar / 3 Pc Coupled / Separate
DOUBLE REDUCTION

NEMA MOTOR FRAME IEC MOTOR FRAME SEPARATE GROUP		140TC 90D 90			180TC 100D 100			--- 112D 112			210TC 132D 132			250TC 160D 160		
RATIO	OUTPUT RATING DATA	3450	1750	1160	3450	1750	1160	3450	1750	1160	3450	1750	1160	3450	1750	1160
17.27	Output RPM	200	101	67	200	101	67	200	101	67	200	101	67	200	101	67
	Input HP (Max) (C)	9.86	5.00	3.32	20.42	10.36	6.87	27.34	13.87	9.19	37.25	22.29	15.01	37.25	23.91	15.85
	Output Torque, In-Lb	3112	3112	3112	6442	6442	6442	8626	8626	8626	11752	13865	14087	11752	14870	14870
	OHL Input Shaft OHL Output Shaft (B)	(A) (B)	452 2954	470 3437	2252	707 2954	737 3437	(A) (B)	839 2954	874 3437	(A) (B)	946 2954	985 3437	(A) (B)	1426 2954	1591 3437
18.72	Output RPM	184	93	62	184	93	62	184	93	62	184	93	62	184	93	62
	Input HP (Max) (C)	9.86	5.00	3.32	20.42	10.36	6.87	27.34	13.87	9.19	34.92	21.46	14.45	34.92	22.06	14.62
	Output Torque, In-Lb	3373	3373	3373	6983	6983	6983	9350	9350	9350	11941	14468	14701	11942	14870	14870
	OHL Input Shaft OHL Output Shaft (B)	(A) (B)	456 3437	474 3437	2252	638 3437	741 3437	(A) (B)	757 3437	872 3437	(A) (B)	956 3437	995 3437	(A) (B)	1437 2252	1593 3437
20.81	Output RPM	166	84	56	166	84	56	166	84	56	166	84	56	166	84	56
	Input HP (Max) (C)	9.86	5.00	3.32	20.42	10.36	6.87	26.04	13.87	9.19	32.10	19.84	13.15	32.10	19.84	13.15
	Output Torque, In-Lb	3750	3750	3750	7764	7764	7764	9899	10396	10396	12202	14870	14869	12202	14870	14870
	OHL Input Shaft OHL Output Shaft (B)	(A) (B)	456 3437	474 4471	2252	522 3437	739 4471	(A) (B)	587 3437	876 4471	(A) (B)	956 3437	987 4471	(A) (B)	1447 2252	1594 4471
22.61	Output RPM	153	77	51	153	77	51	153	77	51	153	77	51	153	77	51
	Input HP (Max) (C)	9.86	5.00	3.32	20.14	10.36	6.86	25.02	13.39	9.04	30.07	18.26	12.10	30.07	18.26	12.10
	Output Torque, In-Lb	4074	4074	4074	8319	8433	8433	10333	10901	11110	12421	14870	14869	12422	14870	14870
	OHL Input Shaft OHL Output Shaft (B)	(A) (B)	455 3437	474 4471	2954	408 3437	709 4471	(A) (B)	519 3437	874 4471	(A) (B)	949 3437	989 4471	(A) (B)	1454 2954	1595 4471
25.01	Output RPM	138	70	46	138	70	46	138	70	46	138	70	46	138	70	46
	Input HP (Max) (C)	9.86	5.00	3.32	18.62	10.13	6.86	23.65	12.75	8.62	27.80	16.51	10.94	27.80	16.51	10.94
	Output Torque, In-Lb	4506	4506	4506	8507	9122	9328	10803	11487	11707	12700	14870	14869	12700	14870	14870
	OHL Input Shaft OHL Output Shaft (B)	(A) (B)	454 3437	473 4471	2954	402 3437	674 4471	(A) (B)	444 3437	795 4471	(A) (B)	951 3437	987 4471	(A) (B)	1462 2954	1596 4471
26.85	Output RPM	128	65	43	128	65	43	128	65	43	128	65	43	128	65	43
	Input HP (Max) (C)	9.63	5.00	3.32	17.60	9.57	6.58	22.28	12.35	8.34	26.29	15.38	10.19	26.29	15.38	10.19
	Output Torque, In-Lb	4725	4838	4837	8631	9257	9606	10931	11940	12169	12896	14870	14869	12897	14870	14870
	OHL Input Shaft OHL Output Shaft (B)	(A) (B)	453 3437	472 4471	2954	396 3437	666 4471	(A) (B)	381 3437	733 4471	(A) (B)	948 3437	989 4471	(A) (B)	1467 2954	1596 4471
28.93	Output RPM	119	60	40	119	60	40	119	60	40	119	60	40	-	-	-
	Input HP (Max) (C)	9.26	4.83	3.32	16.57	9.01	6.20	20.93	11.94	8.06	24.84	14.27	9.46	-	-	-
	Output Torque, In-Lb	4894	5036	5213	8756	9391	9743	11060	12438	12677	13127	14870	14869	-	-	-
	OHL Input Shaft OHL Output Shaft (B)	(A) (B)	452 4471	470 4856	2954	391 4471	660 4856	(A) (B)	312 4471	664 4856	(A) (B)	951 4471	991 4856	-	-	-
31.32	Output RPM	110	56	37	110	56	37	110	56	37	110	56	37	-	-	-
	Input HP (Max) (C)	8.87	4.63	3.20	15.52	8.45	5.81	19.55	11.55	7.80	23.37	13.18	8.74	-	-	-
	Output Torque, In-Lb	5073	5221	5443	8882	9526	9882	11183	13027	13277	13370	14870	14869	-	-	-
	OHL Input Shaft OHL Output Shaft (B)	(A) (B)	452 4471	472 4856	2954	385 4471	653 4856	(A) (B)	227 4471	577 4856	(A) (B)	953 4471	992 4856	-	-	-

(A) (B) (C) - See Footnotes page on inside back cover
Blank areas (-) indicate configuration not available

NOMENCLATURE PAGE ILH-4	STOCK/NON-STOCK PART NUMBERS PAGE ILH-67	DIMENSIONS PAGE ILH-240	THERMAL RATINGS PAGE ILH-335
----------------------------	---	----------------------------	---------------------------------

SELECTION



IN-LINE HELICAL REDUCER (ILH)

SIZE: H_882
60 HZ

Service Factor - 1.0 Clamp Collar / 3 Pc Coupled / Separate
DOUBLE REDUCTION

NEMA MOTOR FRAME IEC MOTOR FRAME SEPARATE GROUP		140TC 90D 90			180TC 100D 100			--- 112D 112			210TC 132D 132			250TC 160D 160		
RATIO	OUTPUT RATING DATA	3450	1750	1160	3450	1750	1160	3450	1750	1160	3450	1750	1160	3450	1750	1160
34.07	Output RPM	101	51	34	101	51	34	101	51	34	101	51	34	-	-	-
	Input HP (Max) (C)	8.46	4.42	3.05	14.47	7.87	5.42	18.17	10.96	7.55	21.92	12.12	8.03	-	-	-
	Output Torque, In-Lb	5267	5421	5651	9007	9661	10025	11310	13450	13974	13640	14870	14869	-	-	-
	OHL Input Shaft (A)	454	472	(A)	379	650	(A)	176	474	(A)	954	994	-	-	-	-
	OHL Output Shaft (B)	2954	4471	4856	2954	4471	4856	2954	4471	4856	2954	4471	4856	-	-	-
37.27	Output RPM	93	47	31	93	47	31	93	47	31	93	47	31	-	-	-
	Input HP (Max) (C)	8.05	4.20	2.90	13.42	7.30	5.02	16.80	10.16	6.99	18.13	11.08	6.75	-	-	-
	Output Torque, In-Lb	5479	5640	5880	9134	9800	10168	11435	13638	14147	12341	14870	13671	-	-	-
	OHL Input Shaft (A)	454	471	(A)	373	643	(A)	168	469	(A)	955	997	-	-	-	-
	OHL Output Shaft (B)	3437	4471	4856	3437	4471	4856	3437	4471	4856	3437	4471	4856	-	-	-
41.90	Output RPM	82	42	28	82	42	28	82	42	28	-	-	-	-	-	-
	Input HP (Max) (C)	7.54	3.94	2.72	12.13	6.60	4.54	15.14	9.19	5.83	-	-	-	-	-	-
	Output Torque, In-Lb	5771	5941	6195	9286	9964	10336	11589	13862	13268	-	-	-	-	-	-
	OHL Input Shaft (A)	453	471	(A)	369	641	(A)	160	665	(A)	954	997	-	-	-	-
	OHL Output Shaft (B)	3437	4471	4856	3437	4471	4856	3437	4471	4856	-	-	-	-	-	-
45.76	Output RPM	75	38	25	75	38	25	75	38	25	-	-	-	-	-	-
	Input HP (Max) (C)	7.19	3.75	2.59	11.24	6.11	4.20	13.99	8.50	4.35	-	-	-	-	-	-
	Output Torque, In-Lb	6009	6187	6448	9392	10074	10454	11695	14015	10819	-	-	-	-	-	-
	OHL Input Shaft (A)	453	474	(A)	364	743	(A)	157	876	(A)	954	997	-	-	-	-
	OHL Output Shaft (B)	3437	4856	4856	3437	4856	4856	3437	4856	4856	-	-	-	-	-	-
50.73	Output RPM	68	34	23	68	34	23	-	-	-	-	-	-	-	-	-
	Input HP (Max) (C)	6.75	3.53	2.44	9.01	5.58	3.35	-	-	-	-	-	-	-	-	-
	Output Torque, In-Lb	6254	6441	6716	8352	10198	9230	-	-	-	-	-	-	-	-	-
	OHL Input Shaft (A)	456	474	(A)	(A)	(A)	(A)	-	-	-	-	-	-	-	-	-
	OHL Output Shaft (B)	3437	4856	4856	3437	4856	4856	-	-	-	-	-	-	-	-	-

(A) (B) (C) - See Footnotes page on inside back cover
Blank areas (-) indicate configuration not available

NOMENCLATURE PAGE ILH-4	STOCK/NON-STOCK PART NUMBERS PAGE ILH-67	DIMENSIONS PAGE ILH-240	THERMAL RATINGS PAGE ILH-335
----------------------------	---	----------------------------	---------------------------------

IN-LINE HELICAL REDUCER (ILH)

SIZE: H_883
60 HZ

Service Factor - 1.0 Clamp Collar / 3 Pc Coupled / Separate
TRIPLE REDUCTION

NEMA MOTOR FRAME IEC MOTOR FRAME SEPARATE GROUP		56C 71D 71			--- 80D 80			140TC 90D 90			180TC 100D 100			--- 112D 112			210TC 132D 132		
RATIO	OUTPUT RATING DATA	3450	1750	1160	3450	1750	1160	3450	1750	1160	3450	1750	1160	3450	1750	1160	3450	1750	1160
34.14	Output RPM	-	-	-	-	-	-	-	-	-	101	51	34	101	51	34	101	51	34
	Input HP (Max) (C)	-	-	-	-	-	-	-	-	-	17.70	10.36	6.87	17.70	12.09	8.02	17.70	12.09	8.02
	Output Torque, In-Lb	-	-	-	-	-	-	-	-	-	11041	12734	12734	11041	14870	14870	11041	14870	14870
	OHL Input Shaft OHL Output Shaft (B)	-	-	-	-	-	-	-	-	-	(A) 713 2954	742 4471	742 4856	(A) 839 2954	873 4471	873 4856	(A) 958 2954	997 4471	997 4856
41.19	Output RPM	-	-	-	-	-	-	-	-	-	84	42	28	84	42	28	84	42	28
	Input HP (Max) (C)	-	-	-	-	-	-	-	-	-	15.47	10.02	6.64	15.47	10.02	6.64	15.47	10.02	6.64
	Output Torque, In-Lb	-	-	-	-	-	-	-	-	-	11639	14870	14870	11639	14870	14870	11639	14870	14870
	OHL Input Shaft OHL Output Shaft (B)	-	-	-	-	-	-	-	-	-	(A) 713 3437	742 4471	742 4856	(A) 839 3437	873 4471	873 4856	(A) 958 3437	997 4471	997 4856
49.42	Output RPM	-	-	-	70	35	23	70	35	23	70	35	23	70	35	23	70	35	23
	Input HP (Max) (C)	-	-	-	4.85	2.46	1.63	9.86	5.00	3.32	13.52	8.35	5.54	13.52	8.35	5.54	13.52	8.35	5.54
	Output Torque, In-Lb	-	-	-	4374	4374	4374	8905	8905	8905	12204	14870	14870	12204	14870	14870	12204	14870	14870
	OHL Input Shaft OHL Output Shaft (B)	-	-	-	(A) 346 4856	360 4856	360 4856	(A) 454 3437	473 4856	473 4856	(A) 714 3437	743 4856	743 4856	(A) 839 3437	876 4856	876 4856	(A) 959 3437	998 4856	998 4856
57.93	Output RPM	-	-	-	60	30	20	60	30	20	60	30	20	60	30	20	60	30	20
	Input HP (Max) (C)	-	-	-	4.85	2.46	1.63	9.86	5.00	3.32	12.04	7.13	4.72	12.04	7.13	4.72	12.04	7.13	4.72
	Output Torque, In-Lb	-	-	-	5128	5128	5128	10439	10439	10439	12746	14870	14870	12746	14870	14870	12746	14870	14870
	OHL Input Shaft OHL Output Shaft (B)	-	-	-	(A) 346 4471	360 4856	360 4856	(A) 452 4471	471 4856	471 4856	(A) 709 4471	739 4856	739 4856	(A) 839 4471	878 4856	878 4856	(A) 959 4471	998 4856	998 4856
69.05	Output RPM	-	-	-	50	25	17	50	25	17	50	25	17	50	25	17	50	25	17
	Input HP (Max) (C)	-	-	-	4.84	2.46	1.63	9.86	5.00	3.32	10.62	5.98	3.96	10.62	5.98	3.96	10.62	5.98	3.96
	Output Torque, In-Lb	-	-	-	6111	6111	6111	12441	12441	12441	13396	14870	14870	13396	14870	14870	13396	14870	14870
	OHL Input Shaft OHL Output Shaft (B)	-	-	-	(A) 346 4471	360 4856	360 4856	(A) 456 4471	474 4856	474 4856	(A) 709 4471	739 4856	739 4856	(A) 839 4471	879 4856	879 4856	(A) 959 4471	998 4856	998 4856
74.88	Output RPM	46	23	15	46	23	15	46	23	15	46	23	15	46	23	15	-	-	-
	Input HP (Max) (C)	3.98	2.02	1.34	4.85	2.46	1.63	9.86	5.00	3.32	10.03	5.51	3.66	10.03	5.51	3.65	-	-	-
	Output Torque, In-Lb	5444	5444	5444	6628	6628	6628	13493	13493	13493	14870	14870	13715	14870	14870	-	-	-	
	OHL Input Shaft OHL Output Shaft (B)	(A) 219 4471	226 4856	(A) 346 4856	(A) 456 4471	474 4856	474 4856	(A) 556 4471	474 4856	474 4856	(A) 711 4471	740 4856	(A) 839 4471	879 4856	879 4856	(A) 959 4471	998 4856	-	-
83.58	Output RPM	41	21	14	41	21	14	41	21	14	41	21	14	41	21	14	-	-	-
	Input HP (Max) (C)	3.98	2.02	1.34	4.85	2.46	1.63	9.28	4.94	3.27	9.28	4.94	3.27	9.28	4.94	3.27	-	-	-
	Output Torque, In-Lb	6077	6077	6077	7398	7398	7398	14166	14870	14870	14166	14870	14870	14166	14870	14870	-	-	-
	OHL Input Shaft OHL Output Shaft (B)	(A) 219 4471	228 4856	(A) 346 4856	(A) 455 4471	474 4856	474 4856	(A) 556 4471	474 4856	474 4856	(A) 712 4471	741 4856	(A) 839 4471	879 4856	879 4856	(A) 959 4471	998 4856	-	-
90.53	Output RPM	38	19	13	38	19	13	38	19	13	38	19	13	-	-	-	-	-	-
	Input HP (Max) (C)	3.98	2.02	1.34	4.85	2.46	1.63	8.77	4.56	3.02	8.77	4.56	3.02	-	-	-	-	-	-
	Output Torque, In-Lb	6582	6582	6582	8013	8013	8013	14505	14870	14870	14505	14870	14870	-	-	-	-	-	-
	OHL Input Shaft OHL Output Shaft (B)	(A) 218 4856	227 4856	(A) 346 4856	(A) 456 4856	474 4856	474 4856	(A) 556 4856	474 4856	474 4856	(A) 713 4856	742 4856	-	-	-	-	-	-	-

(A) (B) (C) - See Footnotes page on inside back cover
Blank areas (-) indicate configuration not available

NOMENCLATURE PAGE ILH-4	STOCK/NON-STOCK PART NUMBERS PAGE ILH-67	DIMENSIONS PAGE ILH-240	THERMAL RATINGS PAGE ILH-335
----------------------------	---	----------------------------	---------------------------------

IN-LINE HELICAL REDUCER (ILH)

SIZE: H_883
60 HZ

Service Factor - 1.0 Clamp Collar / 3 Pc Coupled / Separate
TRIPLE REDUCTION

NEMA MOTOR FRAME IEC MOTOR FRAME SEPARATE GROUP		56C 71D 71			--- 80D 80			140TC 90D 90			180TC 100D 100			--- 112D 112			210TC 132D 132		
RATIO	OUTPUT RATING DATA	3450	1750	1160	3450	1750	1160	3450	1750	1160	3450	1750	1160	3450	1750	1160	3450	1750	1160
102.61	Output RPM	34	17	11	34	17	11	34	17	11	34	17	11	-	-	-	-	-	-
	Input HP (Max) (C)	3.98	2.02	1.34	4.84	2.46	1.63	7.93	4.02	2.67	7.93	4.02	2.67	-	-	-	-	-	-
	Output Torque, In-Lb	7460	7460	7460	9082	9082	9082	14870	14870	14870	14870	14870	14870	-	-	-	-	-	-
	OHL Input Shaft OHL Output Shaft (B)	(A) 4856	217 4856	226 4856	(A) 4856	346 4856	360 4856	(A) 4856	456 4856	475 4856	(A) 4856	713 4856	743 4856	- 4856	- 4856	- 4856	- 4856	- 4856	- 4856
110.54	Output RPM	31	16	10	31	16	10	31	16	10	31	16	10	-	-	-	-	-	-
	Input HP (Max) (C)	3.88	2.02	1.34	4.84	2.46	1.63	7.36	3.74	2.48	7.36	3.74	2.48	-	-	-	-	-	-
	Output Torque, In-Lb	7845	8036	8036	9783	9783	9783	14870	14870	14870	14870	14870	14870	-	-	-	-	-	-
	OHL Input Shaft OHL Output Shaft (B)	(A) 4856	218 4856	227 4856	(A) 4856	346 4856	359 4856	(A) 4856	457 4856	475 4856	(A) 4856	714 4856	743 4856	- 4856	- 4856	- 4856	- 4856	- 4856	- 4856
119.52	Output RPM	29	15	10	29	15	10	29	15	10	29	15	10	-	-	-	-	-	-
	Input HP (Max) (C)	3.66	1.99	1.34	4.85	2.46	1.63	6.81	3.45	2.29	6.81	3.45	2.29	-	-	-	-	-	-
	Output Torque, In-Lb	7983	8551	8690	10579	10579	10579	14870	14870	14870	14870	14870	14870	-	-	-	-	-	-
	OHL Input Shaft OHL Output Shaft (B)	(A) 4856	217 4856	226 4856	(A) 4856	345 4856	359 4856	(A) 4856	457 4856	475 4856	(A) 4856	714 4856	743 4856	- 4856	- 4856	- 4856	- 4856	- 4856	- 4856
129.79	Output RPM	27	13	9	27	13	9	27	13	9	27	13	9	-	-	-	-	-	-
	Input HP (Max) (C)	3.43	1.86	1.28	4.84	2.46	1.63	6.27	3.18	2.11	6.27	3.18	2.11	-	-	-	-	-	-
	Output Torque, In-Lb	8125	8702	9019	11487	11487	11487	14870	14870	14870	14870	14870	14870	-	-	-	-	-	-
	OHL Input Shaft OHL Output Shaft (B)	(A) 4856	218 4856	226 4856	(A) 4856	345 4856	359 4856	(A) 4856	453 4856	471 4856	(A) 4856	714 4856	743 4856	- 4856	- 4856	- 4856	- 4856	- 4856	- 4856
143.50	Output RPM	24	12	8	24	12	8	24	12	8	24	12	8	-	-	-	-	-	-
	Input HP (Max) (C)	3.16	1.72	1.18	4.84	2.46	1.63	5.67	2.88	1.91	5.67	2.88	1.91	-	-	-	-	-	-
	Output Torque, In-Lb	8286	8876	9200	12701	12701	12701	14870	14870	14870	14870	14870	14870	-	-	-	-	-	-
	OHL Input Shaft OHL Output Shaft (B)	(A) 4856	218 4856	226 4856	(A) 4856	344 4856	358 4856	(A) 4856	454 4856	471 4856	(A) 4856	714 4856	743 4856	- 4856	- 4856	- 4856	- 4856	- 4856	- 4856
155.46	Output RPM	22	11	7	22	11	7	22	11	7	22	11	7	-	-	-	-	-	-
	Input HP (Max) (C)	2.96	1.61	1.11	4.84	2.46	1.63	5.24	2.66	1.76	5.24	2.66	1.76	-	-	-	-	-	-
	Output Torque, In-Lb	8408	9007	9337	13759	13759	13759	14870	14870	14870	14870	14870	14870	-	-	-	-	-	-
	OHL Input Shaft OHL Output Shaft (B)	(A) 4856	218 4856	226 4856	(A) 4856	344 4856	358 4856	(A) 4856	453 4856	472 4856	(A) 4856	714 4856	744 4856	- 4856	- 4856	- 4856	- 4856	- 4856	- 4856
175.18	Output RPM	20	10	7	20	10	7	20	10	7	20	10	7	-	-	-	-	-	-
	Input HP (Max) (C)	2.68	1.46	1.00	4.65	2.36	1.56	4.65	2.36	1.56	4.65	2.36	1.56	-	-	-	-	-	-
	Output Torque, In-Lb	8583	9190	9525	14870	14870	14870	14870	14870	14870	14870	14870	14870	-	-	-	-	-	-
	OHL Input Shaft OHL Output Shaft (B)	(A) 4856	218 4856	227 4856	(A) 4856	343 4856	357 4856	(A) 4856	455 4856	473 4856	(A) 4856	715 4856	744 4856	- 4856	- 4856	- 4856	- 4856	- 4856	- 4856
191.80	Output RPM	18	9	6	18	9	6	18	9	6	-	-	-	-	-	-	-	-	-
	Input HP (Max) (C)	2.48	1.35	0.93	4.24	2.15	1.43	4.24	2.15	1.43	-	-	-	-	-	-	-	-	-
	Output Torque, In-Lb	8701	9320	9659	14870	14870	14870	14870	14870	14870	-	-	-	-	-	-	-	-	-
	OHL Input Shaft OHL Output Shaft (B)	(A) 4856	218 4856	227 4856	(A) 4856	344 4856	358 4856	(A) 4856	455 4856	474 4856	- 4856	- 4856	- 4856	- 4856	- 4856	- 4856	- 4856	- 4856	- 4856

(A) (B) (C) - See Footnotes page on inside back cover
Blank areas (-) indicate configuration not available

NOMENCLATURE PAGE ILH-4	STOCK/NON-STOCK PART NUMBERS PAGE ILH-67	DIMENSIONS PAGE ILH-240	THERMAL RATINGS PAGE ILH-335
----------------------------	---	----------------------------	---------------------------------

QUANTIS

QUANTIS GOLD

ILH

RHB

M5M

SELECTION



IN-LINE HELICAL REDUCER (ILH)

SIZE: H_883
60 HZ

Service Factor - 1.0 Clamp Collar / 3 Pc Coupled / Separate
TRIPLE REDUCTION

NEMA MOTOR FRAME IEC MOTOR FRAME SEPARATE GROUP		56C 71D 71			--- 80D 80			140TC 90D 90			180TC 100D 100			--- 112D 112			210TC 132D 132		
RATIO	OUTPUT RATING DATA	3450	1750	1160	3450	1750	1160	3450	1750	1160	3450	1750	1160	3450	1750	1160	3450	1750	1160
213.64	Output RPM	16	8	5	16	8	5	16	8	5	-	-	-	-	-	-	-	-	-
	Input HP (Max) (C)	2.26	1.23	0.84	3.81	1.93	1.28	3.81	1.93	1.28	-	-	-	-	-	-	-	-	-
	Output Torque, In-Lb	8834	9461	9807	14870	14870	14870	14870	14870	14870	-	-	-	-	-	-	-	-	-
	OHL Input Shaft OHL Output Shaft (B)	(A) 219 4856	227 4856	(A) 4856	(A) 345	359 4856	(A) 4856	(A) 456	474 4856	4856	-	-	-	-	-	-	-	-	-
244.29	Output RPM	14	7	5	14	7	5	14	7	5	-	-	-	-	-	-	-	-	
	Input HP (Max) (C)	2.01	1.09	0.75	3.33	1.69	1.12	3.33	1.69	1.12	-	-	-	-	-	-	-	-	
	Output Torque, In-Lb	8985	9623	9974	14870	14870	14870	14870	14870	14870	-	-	-	-	-	-	-	-	
	OHL Input Shaft OHL Output Shaft (B)	(A) 219 4856	227 4856	(A) 4856	(A) 345	359 4856	(A) 4856	(A) 456	475 4856	4856	-	-	-	-	-	-	-	-	
270.90	Output RPM	13	6	4	13	6	4	13	6	4	-	-	-	-	-	-	-	-	
	Input HP (Max) (C)	1.84	1.00	0.69	3.00	1.52	1.01	3.00	1.52	1.01	-	-	-	-	-	-	-	-	
	Output Torque, In-Lb	9091	9735	10091	14870	14870	14870	14870	14870	14870	-	-	-	-	-	-	-	-	
	OHL Input Shaft OHL Output Shaft (B)	(A) 219 4856	228 4856	(A) 4856	(A) 345	359 4856	(A) 4856	(A) 456	475 4856	4856	-	-	-	-	-	-	-	-	
300.41	Output RPM	11	6	4	11	6	4	11	6	4	-	-	-	-	-	-	-	-	
	Input HP (Max) (C)	1.67	0.91	0.62	2.17	1.37	0.81	2.17	1.37	0.81	-	-	-	-	-	-	-	-	
	Output Torque, In-Lb	9186	9840	10199	11903	14870	13169	11903	14870	13169	-	-	-	-	-	-	-	-	
	OHL Input Shaft OHL Output Shaft (B)	(A) 219 4856	228 4856	(A) 4856	(A) 346	360 4856	(A) 457	476 4856	4856	4856	-	-	-	-	-	-	-	-	

(A) (B) (C) - See Footnotes page on inside back cover
Blank areas (-) indicate configuration not available

NOMENCLATURE PAGE ILH-4	STOCK/NON-STOCK PART NUMBERS PAGE ILH-67	DIMENSIONS PAGE ILH-240	THERMAL RATINGS PAGE ILH-335
----------------------------	---	----------------------------	---------------------------------

IN-LINE HELICAL REDUCER (ILH)

SIZE: H_1082

Service Factor - 1.0 Clamp Collar / 3 Pc Coupled / Separate

60 HZ

DOUBLE REDUCTION

NEMA MOTOR FRAME IEC MOTOR FRAME SEPARATE GROUP		---			210TC			250TC			280TC		
		112D 112			132D 132			160D 160			180D/200D 180		
RATIO	OUTPUT RATING DATA	3450	1750	1160	3450	1750	1160	3450	1750	1160	3450	1750	1160
5.51	Output RPM	-	-	-	626	318	211	626	318	211	626	318	211
	Input HP (Max) (C)	-	-	-	64.51	32.72	21.69	89.59	45.44	30.12	139.62	75.54	50.76
	Output Torque, In-Lb	-	-	-	6493	6493	6493	9018	9018	9018	14054	14990	15195
	OHL Input Shaft	-	-	-	(A)	949	988	(A)	1473	1584	(A)	1695	2041
	OHL Output Shaft (B)	-	-	-	(A)	3312	3705	(A)	3312	3705	(A)	3312	3705
6.41	Output RPM	-	-	-	538	273	181	538	273	181	538	273	181
	Input HP (Max) (C)	-	-	-	64.52	32.73	21.69	89.60	45.45	30.13	124.69	67.46	45.32
	Output Torque, In-Lb	-	-	-	7555	7555	7555	10492	10492	10492	14601	15573	15785
	OHL Input Shaft	-	-	-	(A)	948	987	(A)	1440	1577	(A)	1714	2062
	OHL Output Shaft (B)	-	-	-	(A)	3312	3705	(A)	3312	3705	(A)	3312	3705
7.10	Output RPM	486	246	163	486	246	163	486	246	163	486	246	163
	Input HP (Max) (C)	27.35	13.87	9.19	64.55	32.75	21.71	89.65	45.47	30.14	115.29	62.38	41.35
	Output Torque, In-Lb	3547	3547	3547	8373	8373	8373	11628	11628	11628	14954	15950	15950
	OHL Input Shaft	(A)	838	873	(A)	943	984	(A)	1412	1585	(A)	1724	2081
	OHL Output Shaft (B)	(A)	3705	3705	(A)	3705	3705	(A)	3705	3705	(A)	3705	3705
8.27	Output RPM	-	-	-	417	212	140	417	212	140	417	212	140
	Input HP (Max) (C)	-	-	-	64.56	32.75	21.71	89.66	45.48	30.15	146.32	92.12	61.06
	Output Torque, In-Lb	-	-	-	9753	9753	9753	13545	13545	13545	22105	27438	27438
	OHL Input Shaft	-	-	-	(A)	949	988	(A)	1473	1584	(A)	1518	1891
	OHL Output Shaft (B)	-	-	-	(A)	3705	4037	(A)	3705	4037	(A)	3705	4037
9.62	Output RPM	-	-	-	359	182	121	359	182	121	359	182	121
	Input HP (Max) (C)	-	-	-	64.57	32.75	21.71	89.67	45.49	30.15	132.90	79.20	52.50
	Output Torque, In-Lb	-	-	-	11348	11348	11348	15759	15759	15759	23356	27438	27438
	OHL Input Shaft	-	-	-	(A)	948	987	(A)	1439	1577	(A)	1588	1945
	OHL Output Shaft (B)	-	-	-	3312	3705	4037	3312	3705	4037	3312	3705	4037
10.67	Output RPM	323	164	109	323	164	109	323	164	109	323	164	109
	Input HP (Max) (C)	27.33	13.86	9.19	64.52	32.73	21.69	89.61	45.45	30.13	124.28	71.40	47.33
	Output Torque, In-Lb	5327	5327	5327	12577	12577	12577	17466	17466	17466	24224	27438	27438
	OHL Input Shaft	(A)	838	873	(A)	943	984	(A)	1413	1585	(A)	1621	1978
	OHL Output Shaft (B)	3312	3705	4037	3312	3705	4037	3312	3705	4037	3312	3705	4037
12.68	Output RPM	272	138	91	272	138	91	272	138	91	272	138	91
	Input HP (Max) (C)	27.33	13.86	9.19	64.36	32.73	21.69	84.97	45.45	30.13	111.07	60.08	39.83
	Output Torque, In-Lb	6331	6331	6331	14908	14945	14945	19682	20755	20755	25729	27438	27438
	OHL Input Shaft	(A)	843	869	(A)	949	988	(A)	1360	1578	(A)	1668	2024
	OHL Output Shaft (B)	3312	4037	4288	3312	4037	4288	3312	4037	4288	3312	4037	4288
14.63	Output RPM	236	120	79	236	120	79	236	120	79	236	120	79
	Input HP (Max) (C)	27.34	13.87	9.19	62.19	32.74	21.70	79.92	43.55	28.97	100.19	52.08	34.52
	Output Torque, In-Lb	7306	7306	7306	16620	17248	17248	21360	22945	23024	26776	27438	27438
	OHL Input Shaft	(A)	843	877	(A)	951	983	(A)	1332	1588	(A)	1702	2060
	OHL Output Shaft (B)	3705	4037	4288	3705	4037	4288	3705	4037	4288	3705	4037	4288

(A) (B) (C) - See Footnotes page on inside back cover
Blank areas (-) indicate configuration not available

NOMENCLATURE PAGE ILH-4	STOCK/NON-STOCK PART NUMBERS PAGE ILH-67	DIMENSIONS PAGE ILH-270	THERMAL RATINGS PAGE ILH-335
----------------------------	---	----------------------------	---------------------------------

IN-LINE HELICAL REDUCER (ILH)

**SIZE: H_1082
60 HZ**

**Service Factor - 1.0 Clamp Collar / 3 Pc Coupled / Separate
DOUBLE REDUCTION**

NEMA MOTOR FRAME IEC MOTOR FRAME SEPARATE GROUP		--- 112D 112			210TC 132D 132			250TC 160D 160			280TC 180D/200D 180		
RATIO	OUTPUT RATING DATA	3450	1750	1160	3450	1750	1160	3450	1750	1160	3450	1750	1160
17.19	Output RPM	201	102	67	201	102	67	201	102	67	201	102	67
	Input HP (Max) (C)	27.34	13.87	9.19	59.33	31.85	21.45	74.14	40.41	26.87	87.37	44.32	29.38
	Output Torque, In-Lb	8585	8585	8585	18631	19720	20034	23282	25015	25098	27438	27438	27438
	OHL Input Shaft OHL Output Shaft (B)	(A) 3705 4037	842 4037	877 4288	(A) 3705 4037	951 4037	989 4288	(A) 3705 4037	1266 4037	1585 4288	(A) 3705 4037	1734 4037	2092 4288
19.48	Output RPM	177	90	60	177	90	60	177	90	60	177	90	60
	Input HP (Max) (C)	27.34	13.87	9.19	56.88	30.54	20.57	69.86	38.07	25.32	77.10	39.11	25.92
	Output Torque, In-Lb	9728	9728	9728	20243	21426	21771	24860	26711	26801	27438	27438	27438
	OHL Input Shaft OHL Output Shaft (B)	(A) 3705 4288	839 4288	874 5138	(A) 3705 4288	935 4288	988 5138	(A) 3705 4288	1199 4288	1567 5138	(A) 3705 4288	1756 4288	2113 5138
22.86	Output RPM	151	77	51	151	77	51	151	77	51	151	77	51
	Input HP (Max) (C)	27.34	13.87	9.19	51.23	28.78	19.38	64.94	33.33	22.09	65.70	33.33	22.09
	Output Torque, In-Lb	11416	11416	11416	21395	23697	24068	27119	27438	27438	27438	27438	27438
	OHL Input Shaft OHL Output Shaft (B)	(A) 4037 4288	840 4288	869 5138	(A) 4037 4288	646 4288	983 5138	(A) 4037 4288	1206 4288	1575 5138	(A) 4037 4288	1779 4288	2137 5138
24.94	Output RPM	138	70	47	138	70	47	138	70	47	138	70	47
	Input HP (Max) (C)	27.17	13.87	9.19	47.69	27.82	18.74	60.22	30.55	20.25	60.22	30.55	20.25
	Output Torque, In-Lb	12381	12454	12454	21728	24992	25389	27438	27438	27438	27438	27438	27438
	OHL Input Shaft OHL Output Shaft (B)	(A) 4037 4288	756 4288	873 5138	(A) 4037 4288	480 4288	991 5138	(A) 4037 4288	1235 4288	1584 5138	(A) 4037 4288	1791 4288	2147 5138
27.20	Output RPM	127	64	43	127	64	43	127	64	43	127	64	43
	Input HP (Max) (C)	26.07	13.87	9.19	44.37	26.98	18.17	55.13	27.96	18.54	55.13	27.96	18.54
	Output Torque, In-Lb	12955	13585	13585	22049	26426	26846	27394	27394	27394	27394	27394	27394
	OHL Input Shaft OHL Output Shaft (B)	(A) 4037 4288	611 4288	869 5138	(A) 4037 4288	286 4288	944 5138	(A) 4037 4288	1262 4288	1580 5138	(A) 4037 4288	1802 4288	2159 5138
29.35	Output RPM	118	60	40	118	60	40	118	60	40	118	60	40
	Input HP (Max) (C)	25.11	13.44	9.08	41.60	25.65	17.21	51.17	25.96	17.21	51.17	25.96	17.21
	Output Torque, In-Lb	13463	14205	14477	22307	27110	27438	27438	27438	27438	27438	27438	27438
	OHL Input Shaft OHL Output Shaft (B)	(A) 4037 5138	544 5138	876 5138	(A) 4037 5138	221 5138	896 5138	(A) 4037 5138	1281 5138	1583 5138	(A) 4037 5138	1809 5138	2166 5138
32.81	Output RPM	105	53	35	105	53	35	105	53	35	-	-	-
	Input HP (Max) (C)	23.72	12.70	8.58	37.81	23.22	15.39	45.78	23.22	15.39	-	-	-
	Output Torque, In-Lb	14219	15004	15292	22664	27437	27437	27437	27437	27437	-	-	-
	OHL Input Shaft OHL Output Shaft (B)	(A) 4037 5138	459 5138	813 6261	(A) 4037 5138	240 5138	975 6261	(A) 4037 5138	1307 5138	1580 6261	-	-	-
35.14	Output RPM	98	50	33	98	50	33	98	50	33	-	-	-
	Input HP (Max) (C)	22.37	12.30	8.31	35.62	21.68	14.37	42.74	21.68	14.37	-	-	-
	Output Torque, In-Lb	14358	15560	15858	22869	27438	27438	27438	27438	27438	-	-	-
	OHL Input Shaft OHL Output Shaft (B)	(A) 4288 5138	399 5138	750 6261	(A) 4288 5138	283 5138	987 6261	(A) 4288 5138	1323 5138	1583 6261	-	-	-

(A) (B) (C) - See Footnotes page on inside back cover
Blank areas (-) indicate configuration not available

NOMENCLATURE PAGE ILH-4	STOCK/NON-STOCK PART NUMBERS PAGE ILH-67	DIMENSIONS PAGE ILH-270	THERMAL RATINGS PAGE ILH-335
----------------------------	---	----------------------------	---------------------------------

SELECTION



IN-LINE HELICAL REDUCER (ILH)

SIZE: H_1082
60 HZ

Service Factor - 1.0 Clamp Collar / 3 Pc Coupled / Separate
DOUBLE REDUCTION

NEMA MOTOR FRAME IEC MOTOR FRAME SEPARATE GROUP		---			210TC			250TC			280TC		
		112D			132D			160D			180D/200D		
		112			132			160			180		
RATIO	OUTPUT RATING DATA	3450	1750	1160	3450	1750	1160	3450	1750	1160	3450	1750	1160
37.79	Output RPM	91	46	31	91	46	31	-	-	-	-	-	-
	Input HP (Max) (C)	20.99	11.88	8.03	33.43	20.16	13.36	-	-	-	-	-	-
	Output Torque, In-Lb	14489	16170	16481	23081	27438	27438	-	-	-	-	-	-
	OHL Input Shaft (A)		330	680	(A)	325	989	-	-	-	-	-	-
	OHL Output Shaft (B)	4288	5138	6261	4288	5138	6261	-	-	-	-	-	-
40.82	Output RPM	85	43	28	85	43	28	-	-	-	-	-	-
	Input HP (Max) (C)	19.61	11.50	7.77	31.23	18.66	12.37	-	-	-	-	-	-
	Output Torque, In-Lb	14626	16900	17224	23286	27438	27438	-	-	-	-	-	-
	OHL Input Shaft (A)		248	594	(A)	368	991	-	-	-	-	-	-
	OHL Output Shaft (B)	4288	5138	6261	4288	5138	6261	-	-	-	-	-	-
44.31	Output RPM	78	39	26	78	39	26	-	-	-	-	-	-
	Input HP (Max) (C)	18.24	11.12	7.51	29.03	17.19	11.40	-	-	-	-	-	-
	Output Torque, In-Lb	14761	17748	18089	23497	27438	27438	-	-	-	-	-	-
	OHL Input Shaft (A)		147	496	(A)	409	993	-	-	-	-	-	-
	OHL Output Shaft (B)	4288	6261	6261	4288	6261	6261	-	-	-	-	-	-
48.38	Output RPM	71	36	24	71	36	24	-	-	-	-	-	-
	Input HP (Max) (C)	16.86	10.36	7.12	24.98	15.75	9.28	-	-	-	-	-	-
	Output Torque, In-Lb	14897	18052	18727	22080	27438	24389	-	-	-	-	-	-
	OHL Input Shaft (A)		126	428	(A)	446	990	-	-	-	-	-	-
	OHL Output Shaft (B)	4288	6261	7343	4288	6261	7343	-	-	-	-	-	-

(A) (B) (C) - See Footnotes page on inside back cover
Blank areas (-) indicate configuration not available

NOMENCLATURE PAGE ILH-4	STOCK/NON-STOCK PART NUMBERS PAGE ILH-67	DIMENSIONS PAGE ILH-270	THERMAL RATINGS PAGE ILH-335
----------------------------	---	----------------------------	---------------------------------

IN-LINE HELICAL REDUCER (ILH)

**SIZE: H_1083
60 HZ**

**Service Factor - 1.0 Clamp Collar / 3 Pc Coupled / Separate
DOUBLE REDUCTION**

NEMA MOTOR FRAME IEC MOTOR FRAME SEPARATE GROUP		--- 80D 80			140TC 90D 90			180TC 100D 100			--- 112D 112			210TC 132D 132			250TC 160D 160		
RATIO	OUTPUT RATING DATA	3450	1750	1160	3450	1750	1160	3450	1750	1160	3450	1750	1160	3450	1750	1160	3450	1750	1160
42.61	Output RPM	-	-	-	-	-	-	-	-	-	81	41	27	81	41	27	81	41	27
	Input HP (Max) (C)	-	-	-	-	-	-	-	-	-	27.34	13.87	9.19	29.23	17.88	11.85	29.23	17.88	11.85
	Output Torque, In-Lb	-	-	-	-	-	-	-	-	-	21283	21283	21283	22749	27438	27438	22749	27438	27438
	OHL Input Shaft OHL Output Shaft (B)	-	-	-	-	-	-	-	-	-	(A) 838	873	(A) 950	990	(A) 1530	1594	(A) 5138	6261	(A) 1530
51.97	Output RPM	-	-	-	-	-	-	66	34	22	66	34	22	66	34	22	66	34	22
	Input HP (Max) (C)	-	-	-	-	-	-	20.42	10.36	6.87	25.76	13.87	9.19	25.76	14.66	9.72	25.76	14.66	9.72
	Output Torque, In-Lb	-	-	-	-	-	-	19387	19387	19387	24460	25958	25958	24460	27438	27438	24460	27438	27438
	OHL Input Shaft OHL Output Shaft (B)	-	-	-	-	-	-	(A) 713	742	(A) 843	868	(A) 955	994	(A) 1533	1596	(A) 1533	1596	(A) 1533	1596
60.90	Output RPM	-	-	-	-	-	-	57	29	19	57	29	19	57	29	19	57	29	19
	Input HP (Max) (C)	-	-	-	-	-	-	20.42	10.36	6.87	23.06	12.51	8.29	23.06	12.51	8.29	23.06	12.51	8.29
	Output Torque, In-Lb	-	-	-	-	-	-	22716	22716	22716	25651	27438	27438	25651	27438	27438	25651	27438	27438
	OHL Input Shaft OHL Output Shaft (B)	-	-	-	-	-	-	(A) 713	742	(A) 835	874	(A) 957	996	(A) 1534	1597	(A) 1534	1597	(A) 1534	1597
71.59	Output RPM	48	24	16	48	24	16	48	24	16	48	24	16	48	24	16	-	-	-
	Input HP (Max) (C)	4.84	2.46	1.63	9.86	5.00	3.32	20.42	10.36	6.87	20.59	10.64	7.05	20.59	10.64	7.05	-	-	-
	Output Torque, In-Lb	6336	6336	6336	12899	12899	12899	26703	26703	26703	26927	27438	27438	26927	27438	27438	-	-	-
	OHL Input Shaft OHL Output Shaft (B)	(A) 346 5138	360 7343	360 7343	(A) 452 5138	472 7343	472 7343	(A) 711 5138	740 7343	740 7343	(A) 839 5138	874 7343	(A) 958 5138	997 7343	(A) 958 7343	997 7343	-	-	-
82.14	Output RPM	42	21	14	42	21	14	42	21	14	42	21	14	42	21	14	-	-	-
	Input HP (Max) (C)	4.84	2.46	1.63	9.86	5.00	3.32	18.29	9.28	6.15	18.29	9.28	6.15	18.29	9.28	6.15	-	-	-
	Output Torque, In-Lb	7270	7270	7270	14799	14799	14799	27438	27438	27438	27438	27438	27438	27438	27438	27438	-	-	-
	OHL Input Shaft OHL Output Shaft (B)	(A) 346 5138	360 7343	360 7343	(A) 453 5138	472 7343	472 7343	(A) 712 5138	741 7343	741 7343	(A) 838 5138	872 7343	(A) 958 5138	997 7343	(A) 958 7343	997 7343	-	-	-
96.94	Output RPM	36	18	12	36	18	12	36	18	12	36	18	12	36	18	12	-	-	-
	Input HP (Max) (C)	4.85	2.46	1.63	9.86	5.00	3.32	15.49	7.86	5.21	15.49	7.86	5.21	15.49	7.86	5.21	-	-	-
	Output Torque, In-Lb	8580	8580	8580	17467	17467	17467	27438	27438	27438	27438	27438	27438	27438	27438	27438	-	-	-
	OHL Input Shaft OHL Output Shaft (B)	(A) 346 6261	360 7343	360 7343	(A) 456 6261	474 7343	474 7343	(A) 713 6261	743 7343	743 7343	(A) 841 6261	875 7343	(A) 958 6261	998 7343	(A) 958 7343	998 7343	-	-	-
105.08	Output RPM	33	17	11	33	17	11	33	17	11	33	17	11	33	17	11	-	-	-
	Input HP (Max) (C)	4.84	2.46	1.63	9.86	5.00	3.32	14.29	7.25	4.81	14.29	7.25	4.81	14.29	7.25	4.81	-	-	-
	Output Torque, In-Lb	9300	9300	9300	18933	18933	18933	27438	27438	27438	27438	27438	27438	27438	27438	27438	-	-	-
	OHL Input Shaft OHL Output Shaft (B)	(A) 346 6261	360 7343	360 7343	(A) 456 6261	474 7343	474 7343	(A) 714 6261	743 7343	743 7343	(A) 842 6261	876 7343	(A) 959 6261	998 7343	(A) 959 7343	998 7343	-	-	-
116.83	Output RPM	30	15	10	30	15	10	30	15	10	30	15	10	30	15	10	-	-	-
	Input HP (Max) (C)	4.84	2.46	1.63	9.86	5.00	3.32	12.86	6.52	4.32	12.86	6.52	4.32	12.86	6.52	4.32	-	-	-
	Output Torque, In-Lb	10340	10340	10340	21050	21050	21050	27438	27438	27438	27438	27438	27438	27438	27438	27438	-	-	-
	OHL Input Shaft OHL Output Shaft (B)	(A) 346 6261	360 7343	360 7343	(A) 456 6261	474 7343	474 7343	(A) 714 6261	736 7343	736 7343	(A) 843 6261	877 7343	(A) 959 6261	998 7343	(A) 959 7343	998 7343	-	-	-

(A) (B) (C) - See Footnotes page on inside back cover
Blank areas (-) indicate configuration not available

NOMENCLATURE PAGE ILH-4	STOCK/NON-STOCK PART NUMBERS PAGE ILH-67	DIMENSIONS PAGE ILH-270	THERMAL RATINGS PAGE ILH-335
----------------------------	---	----------------------------	---------------------------------

IN-LINE HELICAL REDUCER (ILH)

SIZE: H_1083
60 HZ

Service Factor - 1.0 Clamp Collar / 3 Pc Coupled / Separate
TRIPLE REDUCTION

NEMA MOTOR FRAME IEC MOTOR FRAME SEPARATE GROUP		--- 80D 80			140TC 90D 90			180TC 100D 100			--- 112D 112			210TC 132D 132			250TC 160D 160		
RATIO	OUTPUT RATING DATA	3450	1750	1160	3450	1750	1160	3450	1750	1160	3450	1750	1160	3450	1750	1160	3450	1750	1160
126.90	Output RPM	27	14	9	27	14	9	27	14	9	27	14	9	27	14	9	-	-	-
	Input HP (Max) (C)	4.85	2.46	1.63	9.86	5.00	3.32	11.84	6.00	3.98	11.84	6.00	3.98	11.84	6.00	3.98	-	-	-
	Output Torque, In-Lb	11232	11232	11232	22865	22865	22865	27438	27438	27438	27438	27438	27438	27438	27438	27438	-	-	-
	OHL Input Shaft OHL Output Shaft (B)	(A) 346 6261	346 7343	360 7343	(A) 455 6261	473 7343	(A) 455 7343	473 7343	(A) 708 6261	738 7343	(A) 843 7343	878 7343	(A) 959 6261	998 7343	-	-	-	-	-
140.37	Output RPM	25	12	8	25	12	8	25	12	8	25	12	8	-	-	-	-	-	-
	Input HP (Max) (C)	4.85	2.46	1.63	9.86	5.00	3.32	10.70	5.43	3.60	10.70	5.43	3.60	-	-	-	-	-	-
	Output Torque, In-Lb	12424	12424	12424	25292	25292	25292	27438	27438	27438	27438	27438	27438	-	-	-	-	-	-
	OHL Input Shaft OHL Output Shaft (B)	(A) 346 7343	346 7343	360 7343	(A) 453 7343	472 7343	(A) 453 7343	472 7343	(A) 710 7343	736 7343	(A) 844 7343	878 7343	-	-	-	-	-	-	-
150.70	Output RPM	23	12	8	23	12	8	23	12	8	-	-	-	-	-	-	-	-	-
	Input HP (Max) (C)	4.84	2.46	1.63	9.63	5.00	3.32	9.97	5.06	3.35	-	-	-	-	-	-	-	-	-
	Output Torque, In-Lb	13338	13338	13338	26520	27153	27153	27438	27438	27438	-	-	-	-	-	-	-	-	-
	OHL Input Shaft OHL Output Shaft (B)	(A) 346 7343	346 7343	360 7343	(A) 454 7343	470 7343	(A) 454 7343	470 7343	(A) 708 7343	738 7343	-	-	-	-	-	-	-	-	-
162.40	Output RPM	21	11	7	21	11	7	21	11	7	-	-	-	-	-	-	-	-	-
	Input HP (Max) (C)	4.85	2.46	1.63	9.25	4.69	3.11	9.25	4.69	3.11	-	-	-	-	-	-	-	-	-
	Output Torque, In-Lb	14374	14374	14374	27438	27438	27438	27438	27438	27438	-	-	-	-	-	-	-	-	-
	OHL Input Shaft OHL Output Shaft (B)	(A) 346 7343	346 7343	360 7343	(A) 453 7343	471 7343	(A) 453 7343	471 7343	(A) 710 7343	739 7343	-	-	-	-	-	-	-	-	-
175.78	Output RPM	20	10	7	20	10	7	20	10	7	-	-	-	-	-	-	-	-	-
	Input HP (Max) (C)	4.84	2.46	1.63	8.54	4.33	2.87	8.54	4.33	2.87	-	-	-	-	-	-	-	-	-
	Output Torque, In-Lb	15558	15558	15558	27438	27438	27438	27438	27438	27438	-	-	-	-	-	-	-	-	-
	OHL Input Shaft OHL Output Shaft (B)	(A) 345 7343	345 7343	359 7343	(A) 453 7343	470 7343	(A) 453 7343	470 7343	(A) 711 7343	740 7343	-	-	-	-	-	-	-	-	-
191.21	Output RPM	18	9	6	18	9	6	18	9	6	-	-	-	-	-	-	-	-	-
	Input HP (Max) (C)	4.85	2.46	1.63	7.86	3.98	2.64	7.86	3.98	2.64	-	-	-	-	-	-	-	-	-
	Output Torque, In-Lb	16924	16924	16924	27438	27438	27438	27438	27438	27438	-	-	-	-	-	-	-	-	-
	OHL Input Shaft OHL Output Shaft (B)	(A) 345 7343	345 7343	359 7343	(A) 453 7343	470 7343	(A) 453 7343	470 7343	(A) 712 7343	741 7343	-	-	-	-	-	-	-	-	-
209.21	Output RPM	16	8	6	16	8	6	16	8	6	-	-	-	-	-	-	-	-	-
	Input HP (Max) (C)	4.85	2.46	1.63	7.18	3.64	2.41	7.18	3.64	2.41	-	-	-	-	-	-	-	-	-
	Output Torque, In-Lb	18518	18518	18518	27438	27438	27438	27438	27438	27438	-	-	-	-	-	-	-	-	-
	OHL Input Shaft OHL Output Shaft (B)	(A) 345 7343	345 7343	358 7343	(A) 452 7343	474 7343	(A) 452 7343	474 7343	(A) 712 7343	741 7343	-	-	-	-	-	-	-	-	-
235.19	Output RPM	15	7	5	15	7	5	15	7	5	-	-	-	-	-	-	-	-	-
	Input HP (Max) (C)	4.84	2.46	1.63	6.39	3.24	2.15	6.39	3.24	2.15	-	-	-	-	-	-	-	-	-
	Output Torque, In-Lb	20816	20816	20816	27438	27438	27438	27438	27438	27438	-	-	-	-	-	-	-	-	-
	OHL Input Shaft OHL Output Shaft (B)	(A) 343 7343	343 7343	357 7343	(A) 456 7343	474 7343	(A) 456 7343	474 7343	(A) 713 7343	742 7343	-	-	-	-	-	-	-	-	-

(A) (B) (C) - See Footnotes page on inside back cover
Blank areas (-) indicate configuration not available

NOMENCLATURE PAGE ILH-4	STOCK/NON-STOCK PART NUMBERS PAGE ILH-67	DIMENSIONS PAGE ILH-270	THERMAL RATINGS PAGE ILH-335
----------------------------	---	----------------------------	---------------------------------

SELECTION



IN-LINE HELICAL REDUCER (ILH)

SIZE: H_1083
60 HZ

Service Factor - 1.0 Clamp Collar / 3 Pc Coupled / Separate
TRIPLE REDUCTION

NEMA MOTOR FRAME IEC MOTOR FRAME SEPARATE GROUP		---			140TC			180TC			---			210TC			250TC		
		80D			90D			100D			112D			132D			160D		
		80			90			100			112			132			160		
RATIO	OUTPUT RATING DATA	3450	1750	1160	3450	1750	1160	3450	1750	1160	3450	1750	1160	3450	1750	1160	3450	1750	1160
256.86	Output RPM	13	7	5	13	7	5	13	7	5	-	-	-	-	-	-	-	-	-
	Input HP (Max) (C)	4.60	2.46	1.63	5.85	2.97	1.97	5.85	2.97	1.97	-	-	-	-	-	-	-	-	-
	Output Torque, In-Lb	21583	22734	22734	27438	27438	27438	27438	27438	27438	-	-	-	-	-	-	-	-	-
	OHL Input Shaft (A)	343	356	(A)	456	474	(A)	713	742	(A)	-	-	-	-	-	-	-	-	-
OHL Output Shaft (B)	7343	7343	7343	7343	7343	7343	7343	7343	7343	-	-	-	-	-	-	-	-	-	
284.73	Output RPM	12	6	4	12	6	4	12	6	4	-	-	-	-	-	-	-	-	
	Input HP (Max) (C)	4.31	2.37	1.55	5.28	2.68	1.77	5.28	2.68	1.77	-	-	-	-	-	-	-	-	
	Output Torque, In-Lb	22424	24314	24048	27438	27438	27438	27438	27438	27438	-	-	-	-	-	-	-	-	
	OHL Input Shaft (A)	343	356	(A)	456	(A)	(A)	714	743	(A)	-	-	-	-	-	-	-	-	
OHL Output Shaft (B)	7343	7343	7343	7343	7343	7343	7343	7343	7343	-	-	-	-	-	-	-	-		
325.21	Output RPM	11	5	4	11	5	4	-	-	-	-	-	-	-	-	-	-		
	Input HP (Max) (C)	3.94	2.17	1.42	4.62	2.34	1.55	-	-	-	-	-	-	-	-	-	-		
	Output Torque, In-Lb	23398	25439	25099	27438	27438	27438	-	-	-	-	-	-	-	-	-	-		
	OHL Input Shaft (A)	343	356	(A)	456	(A)	(A)	-	-	-	-	-	-	-	-	-	-		
OHL Output Shaft (B)	7343	7343	7343	7343	7343	7343	-	-	-	-	-	-	-	-	-	-			
359.30	Output RPM	10	5	3	10	5	3	-	-	-	-	-	-	-	-	-	-		
	Input HP (Max) (C)	3.67	2.03	1.32	4.09	2.12	1.41	-	-	-	-	-	-	-	-	-	-		
	Output Torque, In-Lb	24070	26218	25826	26862	27438	27438	-	-	-	-	-	-	-	-	-	-		
	OHL Input Shaft (A)	343	357	(A)	456	(A)	(A)	-	-	-	-	-	-	-	-	-	-		
OHL Output Shaft (B)	7343	7343	7343	7343	7343	7343	-	-	-	-	-	-	-	-	-	-			

(A) (B) (C) - See Footnotes page on inside back cover
Blank areas (-) indicate configuration not available

NOMENCLATURE PAGE ILH-4	STOCK/NON-STOCK PART NUMBERS PAGE ILH-67	DIMENSIONS PAGE ILH-270	THERMAL RATINGS PAGE ILH-335
----------------------------	---	----------------------------	---------------------------------

IN-LINE HELICAL REDUCER (ILH)

SIZE: H_1282
60 HZ

Service Factor - 1.0 Clamp Collar / 3 Pc Coupled / Separate
DOUBLE REDUCTION

NEMA MOTOR FRAME IEC MOTOR FRAME SEPARATE GROUP		210TC 132D 132			250TC 160D 160			280TC 180D/200D 180			320TC 225D 225		
RATIO	OUTPUT RATING DATA	3450	1750	1160	3450	1750	1160	3450	1750	1160	3450	1750	1160
3.63	Output RPM	-	-	-	950	482	320	950	482	320	950	482	320
	Input HP (Max) (C)	-	-	-	89.54	45.42	30.11	182.39	92.52	61.33	247.66	135.96	89.85
	Output Torque, In-Lb	-	-	-	5938	5938	5938	12095	12095	12095	16423	17774	17720
	OHL Input Shaft	-	-	-	(A)	1523	1586	(A)	1739	2096	(A)	2182	2275
	OHL Output Shaft (B)	-	-	-	(A)	4055	4392	(A)	4055	4392	(A)	4055	4392
4.83	Output RPM	-	-	-	714	362	240	714	362	240	714	362	240
	Input HP (Max) (C)	-	-	-	89.54	45.42	30.11	182.38	92.51	61.32	231.27	126.33	85.91
	Output Torque, In-Lb	-	-	-	7901	7901	7901	16092	16092	16092	20406	21975	22546
	OHL Input Shaft	-	-	-	(A)	1474	1585	(A)	1631	1990	(A)	2136	2266
	OHL Output Shaft (B)	-	-	-	(A)	4392	4886	(A)	4392	4886	(A)	4392	4886
5.59	Output RPM	617	313	208	617	313	208	617	313	208	617	313	208
	Input HP (Max) (C)	59.73	32.07	21.60	89.59	45.45	30.12	182.46	92.55	61.35	211.38	114.62	75.98
	Output Torque, In-Lb	6100	6456	6559	9149	9149	9149	18633	18633	18633	21586	23075	23075
	OHL Input Shaft	(A)	949	987	(A)	1442	1578	(A)	1562	1919	(A)	2149	2279
	OHL Output Shaft (B)	(A)	4392	4886	(A)	4392	4886	(A)	4392	4886	(A)	4392	4886
5.93	Output RPM	-	-	-	582	295	196	582	295	196	582	295	196
	Input HP (Max) (C)	-	-	-	89.57	45.43	30.12	182.42	92.53	61.34	247.72	135.98	89.86
	Output Torque, In-Lb	-	-	-	9703	9703	9703	19762	19762	19762	26835	29041	28953
	OHL Input Shaft	-	-	-	(A)	1523	1586	(A)	1739	2096	(A)	2182	2275
	OHL Output Shaft (B)	-	-	-	(A)	4392	4886	(A)	4392	4886	(A)	4392	4886
7.88	Output RPM	-	-	-	438	222	147	438	222	147	438	222	147
	Input HP (Max) (C)	-	-	-	89.68	45.49	30.15	182.66	92.65	61.42	222.48	126.52	86.77
	Output Torque, In-Lb	-	-	-	12910	12910	12910	26294	26294	26294	32027	35906	37148
	OHL Input Shaft	-	-	-	(A)	1474	1585	(A)	1631	1988	(A)	2133	2262
	OHL Output Shaft (B)	-	-	-	(A)	4886	5306	(A)	4886	5306	(A)	4886	5306
9.13	Output RPM	378	192	127	378	192	127	378	192	127	378	192	127
	Input HP (Max) (C)	59.76	32.08	21.60	89.63	45.46	30.14	182.54	92.59	61.37	202.63	116.62	80.06
	Output Torque, In-Lb	9967	10549	10717	14949	14949	14949	30445	30445	30445	33797	38347	39712
	OHL Input Shaft	(A)	949	987	(A)	1442	1577	(A)	1562	1919	(A)	2099	2263
	OHL Output Shaft (B)	4392	4886	5306	4392	4886	5306	4392	4886	5306	4392	4886	5306
10.78	Output RPM	320	162	108	320	162	108	320	162	108	320	162	108
	Input HP (Max) (C)	57.60	30.93	20.83	89.62	45.46	30.13	182.09	92.59	61.37	182.09	104.95	70.54
	Output Torque, In-Lb	11343	12009	12198	17649	17649	17649	35860	35945	35945	35860	40744	41313
	OHL Input Shaft	(A)	948	986	(A)	1397	1585	(A)	1297	1828	(A)	2080	2274
	OHL Output Shaft (B)	4392	4886	5306	4392	4886	5306	4392	4886	5306	4392	4886	5306
12.03	Output RPM	287	145	96	287	145	96	287	145	96	287	145	96
	Input HP (Max) (C)	55.97	30.06	20.24	89.66	45.48	30.15	169.60	92.63	61.40	169.60	96.35	64.76
	Output Torque, In-Lb	12301	13024	13230	19705	19705	19705	37273	40133	40133	37273	41743	42327
	OHL Input Shaft	(A)	946	985	(A)	1363	1579	(A)	1091	1729	(A)	2108	2279
	OHL Output Shaft (B)	4392	5306	5578	4392	5306	5578	4392	5306	5578	4392	5306	5578

(A) (B) (C) - See Footnotes page on inside back cover
Blank areas (-) indicate configuration not available

NOMENCLATURE PAGE ILH-4	STOCK/NON-STOCK PART NUMBERS PAGE ILH-67	DIMENSIONS PAGE ILH-286	THERMAL RATINGS PAGE ILH-335
----------------------------	---	----------------------------	---------------------------------

SELECTION



IN-LINE HELICAL REDUCER (ILH)

SIZE: H_1282
60 HZ

Service Factor - 1.0 Clamp Collar / 3 Pc Coupled / Separate
DOUBLE REDUCTION

NEMA MOTOR FRAME IEC MOTOR FRAME SEPARATE GROUP		210TC 132D 132			250TC 160D 160			280TC 180D/200D 180			320TC 225D 225		
RATIO	OUTPUT RATING DATA	3450	1750	1160	3450	1750	1160	3450	1750	1160	3450	1750	1160
14.06	Output RPM	245	124	83	245	124	83	245	124	83	245	124	83
	Input HP (Max) (C)	53.41	28.69	19.32	53.41	28.69	19.32	53.41	28.69	19.32	53.41	28.69	19.32
	Output Torque, In-Lb	13718	14525	14757	23025	23025	23025	39319	43087	43682	39319	43087	43682
	OHL Input Shaft OHL Output Shaft (B)	(A) 4886 5306	952 5306	990 5578	(A) 4886 5306	1308 5306	1583 5578	(A) 4886 5306	1014 5306	1612 5578	(A) 4886 5306	2141 5306	2285 5578
16.12	Output RPM	214	109	72	214	109	72	214	109	72	214	109	72
	Input HP (Max) (C)	50.81	27.30	18.38	50.81	27.30	18.38	50.81	27.30	18.38	50.81	27.30	18.38
	Output Torque, In-Lb	14962	15848	16099	26398	26398	26398	40937	44197	44814	41181	44197	44814
	OHL Input Shaft OHL Output Shaft (B)	(A) 4886 5306	952 5306	991 5578	(A) 4886 5306	1218 5306	1526 5578	(A) 4886 5306	1039 5306	1638 5578	(A) 4886 5306	2165 5306	2289 5578
18.64	Output RPM	185	94	62	185	94	62	185	94	62	185	94	62
	Input HP (Max) (C)	47.80	25.68	17.30	47.80	25.68	17.30	47.80	25.68	17.30	47.80	25.68	17.30
	Output Torque, In-Lb	16278	17240	17518	29395	30520	30520	42203	45140	45140	42419	45140	45140
	OHL Input Shaft OHL Output Shaft (B)	(A) 4886 5578	950 5578	989 5578	(A) 4886 5578	1008 5578	1456 5578	(A) 4886 5578	1071 5578	1707 5578	(A) 4886 5578	2183 5578	2281 5578
19.35	Output RPM	178	90	60	178	90	60	178	90	60	178	90	60
	Input HP (Max) (C)	46.95	25.23	16.99	46.95	25.23	16.99	46.95	25.23	16.99	46.95	25.23	16.99
	Output Torque, In-Lb	16597	17581	17862	29962	31677	31677	42476	45140	45140	42677	45140	45140
	OHL Input Shaft OHL Output Shaft (B)	(A) 4886 5578	950 5578	989 6464	(A) 4886 5578	950 5578	1438 6464	(A) 4886 5578	1093 5578	1729 6464	(A) 4886 5578	2187 5578	2284 6464
21.41	Output RPM	161	82	54	161	82	54	161	82	54	161	82	54
	Input HP (Max) (C)	44.81	24.08	16.22	44.81	24.08	16.22	44.81	24.08	16.22	44.81	24.08	16.22
	Output Torque, In-Lb	17526	18566	18864	31102	33436	34255	43191	45140	45140	43372	45140	45140
	OHL Input Shaft OHL Output Shaft (B)	(A) 4886 5578	948 5578	987 6464	(A) 4886 5578	880 5578	1321 6464	(A) 4886 5578	1147 5578	1784 6464	(A) 4886 5578	2194 5578	2290 6464
25.05	Output RPM	138	70	46	138	70	46	138	70	46	138	70	46
	Input HP (Max) (C)	41.40	22.25	14.99	41.40	22.25	14.99	41.40	22.25	14.99	41.40	22.25	14.99
	Output Torque, In-Lb	18945	20075	20395	32288	34705	36039	44212	45140	45140	44404	45140	45140
	OHL Input Shaft OHL Output Shaft (B)	(A) 5306 5578	955 5578	985 6464	(A) 5306 5578	862 5578	1272 6464	(A) 5306 5578	1219 5578	1829 6464	(A) 5306 5578	2202 5578	2295 6464
27.13	Output RPM	127	65	43	127	65	43	127	65	43	127	65	43
	Input HP (Max) (C)	39.75	21.37	14.39	39.75	21.37	14.39	39.75	21.37	14.39	39.75	21.37	14.39
	Output Torque, In-Lb	19701	20877	21212	32837	35302	36661	44687	45140	45140	44904	45140	45140
	OHL Input Shaft OHL Output Shaft (B)	(A) 5306 5578	956 5578	995 6464	(A) 5306 5578	851 5578	1263 6464	(A) 5306 5578	1253 5578	1844 6464	(A) 5306 5578	2203 5578	2298 6464
30.28	Output RPM	114	58	38	114	58	38	114	58	38	-	-	-
	Input HP (Max) (C)	37.56	20.19	13.60	37.56	20.19	13.60	37.56	20.19	13.60	-	-	-
	Output Torque, In-Lb	20775	22019	22370	33563	36083	37466	45139	45140	45140	-	-	-
	OHL Input Shaft OHL Output Shaft (B)	(A) 5306 6464	956 6464	995 7974	(A) 5306 6464	839 6464	1251 7974	(A) 5306 6464	1294 6464	1862 7974	-	-	-

(A) (B) (C) - See Footnotes page on inside back cover
Blank areas (-) indicate configuration not available

NOMENCLATURE PAGE ILH-4	STOCK/NON-STOCK PART NUMBERS PAGE ILH-67	DIMENSIONS PAGE ILH-286	THERMAL RATINGS PAGE ILH-335
----------------------------	---	----------------------------	---------------------------------

SELECTION



IN-LINE HELICAL REDUCER (ILH)

SIZE: H_1282
60 HZ

Service Factor - 1.0 Clamp Collar / 3 Pc Coupled / Separate
DOUBLE REDUCTION

NEMA MOTOR FRAME IEC MOTOR FRAME SEPARATE GROUP		210TC 132D 132			250TC 160D 160			280TC 180D/200D 180			320TC 225D 225		
RATIO	OUTPUT RATING DATA	3450	1750	1160	3450	1750	1160	3450	1750	1160	3450	1750	1160
32.11	Output RPM	107	55	36	107	55	36	107	55	36	-	-	-
	Input HP (Max) (C)	36.61	19.68	13.25	57.83	31.54	21.71	76.95	39.03	25.87	-	-	-
	Output Torque, In-Lb	21474	22759	23124	33922	36468	37871	45139	45140	45140	-	-	-
	OHL Input Shaft OHL Output Shaft (B)	(A) 5306	956 6464	995 7974	(A) 5306	836 6464	1245 7974	(A) 5306	1315 6464	1870 7974	-	-	-
36.39	Output RPM	95	48	32	95	48	32	-	-	-	-	-	-
	Input HP (Max) (C)	34.44	18.52	12.47	52.12	28.42	19.56	-	-	-	-	-	-
	Output Torque, In-Lb	22898	24268	24660	34651	37251	38682	-	-	-	-	-	-
	OHL Input Shaft OHL Output Shaft (B)	(A) 5578	955 6464	994 7974	(A) 5578	824 6464	1234 7974	-	-	-	-	-	-
38.94	Output RPM	89	45	30	89	45	30	-	-	-	-	-	-
	Input HP (Max) (C)	33.69	18.12	12.20	47.63	26.84	17.74	-	-	-	-	-	-
	Output Torque, In-Lb	23968	25405	25813	33880	37643	37529	-	-	-	-	-	-
	OHL Input Shaft OHL Output Shaft (B)	(A) 5578	865 6464	993 7974	(A) 5578	819 6464	1315 7974	-	-	-	-	-	-
40.96	Output RPM	84	43	28	-	-	-	-	-	-	-	-	-
	Input HP (Max) (C)	32.48	17.95	12.09	-	-	-	-	-	-	-	-	-
	Output Torque, In-Lb	24306	26479	26909	-	-	-	-	-	-	-	-	-
	OHL Input Shaft OHL Output Shaft (B)	(A) 5578	716 6464	991 7974	-	-	-	-	-	-	-	-	-

(A) (B) (C) - See Footnotes page on inside back cover
Blank areas (-) indicate configuration not available

NOMENCLATURE PAGE ILH-4	STOCK/NON-STOCK PART NUMBERS PAGE ILH-67	DIMENSIONS PAGE ILH-286	THERMAL RATINGS PAGE ILH-335
----------------------------	---	----------------------------	---------------------------------

IN-LINE HELICAL REDUCER (ILH)

SIZE: H_1283
60 HZ

Service Factor - 1.0 Clamp Collar / 3 Pc Coupled / Separate
TRIPLE REDUCTION

NEMA MOTOR FRAME IEC MOTOR FRAME SEPARATE GROUP		140TC 90D 90			180TC 100D 100			--- 112D 112			210TC 132D 132			250TC 160D 160			280TC 180D/200D 180		
RATIO	OUTPUT RATING DATA	3450	1750	1160	3450	1750	1160	3450	1750	1160	3450	1750	1160	3450	1750	1160	3450	1750	1160
37.57	Output RPM	-	-	-	-	-	-	-	-	-	92	47	31	92	47	31	92	47	31
	Input HP (Max) (C)	-	-	-	-	-	-	-	-	-	51.65	32.47	21.70	51.65	32.47	22.11	51.65	32.47	22.11
	Output Torque, In-Lb	-	-	-	-	-	-	-	-	-	35449	43930	44294	35449	43930	45140	35449	43930	45140
	OHL Input Shaft OHL Output Shaft (B)	-	-	-	-	-	-	-	-	-	(A) 5578	949	988	(A) 5578	1516	1592	(A) 6464	2114	2462
43.71	Output RPM	-	-	-	-	-	-	-	-	-	79	40	27	79	40	27	79	40	27
	Input HP (Max) (C)	-	-	-	-	-	-	-	-	-	46.95	28.68	19.01	46.95	28.68	19.01	46.95	28.68	19.01
	Output Torque, In-Lb	-	-	-	-	-	-	-	-	-	37490	45140	45140	37490	45140	45140	37490	45140	45140
	OHL Input Shaft OHL Output Shaft (B)	-	-	-	-	-	-	-	-	-	(A) 5578	952	991	(A) 5578	1521	1584	(A) 6464	2125	2483
48.44	Output RPM	-	-	-	-	-	-	71	36	24	71	36	24	71	36	24	71	36	24
	Input HP (Max) (C)	-	-	-	-	-	-	27.34	13.87	9.19	43.69	25.88	17.15	43.69	25.88	17.15	43.69	25.88	17.15
	Output Torque, In-Lb	-	-	-	-	-	-	24194	24194	24194	38663	45140	45140	38663	45140	45140	38663	45140	45140
	OHL Input Shaft OHL Output Shaft (B)	-	-	-	-	-	-	5578	837	872	(A) 5578	954	993	(A) 5578	1525	1588	(A) 7974	2137	2493
57.56	Output RPM	-	-	-	60	30	20	60	30	20	60	30	20	60	30	20	60	30	20
	Input HP (Max) (C)	-	-	-	20.42	10.36	6.87	27.34	13.87	9.19	38.73	21.78	14.43	38.73	21.78	14.43	38.73	21.78	14.43
	Output Torque, In-Lb	-	-	-	21471	21471	21471	28750	28750	28750	40720	45140	45140	40720	45140	45140	40720	45140	45140
	OHL Input Shaft OHL Output Shaft (B)	-	-	-	6464	7974	8992	6464	7974	8992	6464	7974	8992	6464	7974	8992	6464	7974	8992
66.43	Output RPM	-	-	-	52	26	17	52	26	17	52	26	17	52	26	17	-	-	-
	Input HP (Max) (C)	-	-	-	20.42	10.36	6.87	27.34	13.87	9.19	35.02	18.87	12.51	35.02	18.87	12.51	-	-	-
	Output Torque, In-Lb	-	-	-	24780	24780	24780	33180	33180	33180	42504	45140	45140	42504	45140	45140	-	-	-
	OHL Input Shaft OHL Output Shaft (B)	-	-	-	6464	7974	8992	6464	7974	8992	6464	7974	8992	6464	7974	8992	-	-	-
78.06	Output RPM	44	22	15	44	22	15	44	22	15	44	22	15	44	22	15	-	-	-
	Input HP (Max) (C)	9.86	5.00	3.32	20.42	10.36	6.87	27.34	13.87	9.19	31.29	16.06	10.64	31.29	16.06	10.64	-	-	-
	Output Torque, In-Lb	14065	14065	14065	29117	29117	29117	38987	38987	38987	44616	45140	45140	44616	45140	45140	-	-	-
	OHL Input Shaft OHL Output Shaft (B)	(A) 6464	452	470	(A) 6464	711	740	(A) 6464	841	876	(A) 6464	953	987	(A) 6464	1530	1594	-	-	-
88.46	Output RPM	39	20	13	39	20	13	39	20	13	39	20	13	39	20	13	-	-	-
	Input HP (Max) (C)	9.86	5.00	3.32	20.42	10.36	6.87	27.34	13.87	9.19	27.93	14.17	9.39	27.93	14.17	9.39	-	-	-
	Output Torque, In-Lb	15938	15938	15938	32995	32995	32995	44180	44180	44180	45140	45140	45140	45140	45140	45140	-	-	-
	OHL Input Shaft OHL Output Shaft (B)	(A) 7974	453	472	(A) 7974	708	738	(A) 7974	838	873	(A) 7974	951	990	(A) 7974	1532	1595	-	-	-
103.80	Output RPM	33	17	11	33	17	11	33	17	11	33	17	11	33	17	11	-	-	-
	Input HP (Max) (C)	9.86	5.00	3.32	20.42	10.36	6.87	23.81	12.08	8.00	23.81	12.08	8.00	23.81	12.08	8.00	-	-	-
	Output Torque, In-Lb	18703	18703	18703	38719	38719	38719	45140	45140	45140	45140	45140	45140	45140	45140	45140	-	-	-
	OHL Input Shaft OHL Output Shaft (B)	(A) 7974	456	474	(A) 7974	709	739	(A) 7974	841	876	(A) 7974	954	994	(A) 7974	1533	1596	-	-	-

(A) (B) (C) - See Footnotes page on inside back cover
Blank areas (-) indicate configuration not available

NOMENCLATURE PAGE ILH-4	STOCK/NON-STOCK PART NUMBERS PAGE ILH-67	DIMENSIONS PAGE ILH-286	THERMAL RATINGS PAGE ILH-335
----------------------------	---	----------------------------	---------------------------------

IN-LINE HELICAL REDUCER (ILH)

SIZE: H_1283
60 HZ

Service Factor - 1.0 Clamp Collar / 3 Pc Coupled / Separate
TRIPLE REDUCTION

NEMA MOTOR FRAME IEC MOTOR FRAME SEPARATE GROUP		140TC 90D 90			180TC 100D 100			--- 112D 112			210TC 132D 132			250TC 160D 160			280TC 180D/200D 180		
RATIO	OUTPUT RATING DATA	3450	1750	1160	3450	1750	1160	3450	1750	1160	3450	1750	1160	3450	1750	1160	3450	1750	1160
113.24	Output RPM	30	15	10	30	15	10	30	15	10	30	15	10	-	-	-	-	-	-
	Input HP (Max) (C)	9.86	5.00	3.32	20.42	10.36	6.87	21.82	11.07	7.34	21.82	11.07	7.34	-	-	-	-	-	-
	Output Torque, In-Lb	20404	20404	20404	42239	42239	42239	45140	45140	45140	45140	45140	45140	-	-	-	-	-	-
	OHL Input Shaft	(A)	456	474	(A)	712	736	(A)	842	877	(A)	955	995	-	-	-	-	-	-
	OHL Output Shaft (B)	7974	8992	8992	7974	8992	8992	7974	8992	8992	7974	8992	8992	-	-	-	-	-	-
123.53	Output RPM	28	14	9	28	14	9	28	14	9	28	14	9	-	-	-	-	-	-
	Input HP (Max) (C)	9.86	5.00	3.32	19.72	10.15	6.73	20.00	10.15	6.73	20.00	10.15	6.73	-	-	-	-	-	-
	Output Torque, In-Lb	22257	22257	22257	44492	45140	45140	45140	45140	45140	45140	45140	45140	-	-	-	-	-	-
	OHL Input Shaft	(A)	456	474	(A)	663	741	(A)	843	877	(A)	956	995	-	-	-	-	-	-
	OHL Output Shaft (B)	7974	8992	8992	7974	8992	8992	7974	8992	8992	7974	8992	8992	-	-	-	-	-	-
133.30	Output RPM	26	13	9	26	13	9	26	13	9	26	13	9	-	-	-	-	-	-
	Input HP (Max) (C)	9.86	5.00	3.32	18.54	9.40	6.23	18.54	9.40	6.23	18.54	9.40	6.23	-	-	-	-	-	-
	Output Torque, In-Lb	24019	24019	24019	45140	45140	45140	45140	45140	45140	45140	45140	45140	-	-	-	-	-	-
	OHL Input Shaft	(A)	455	473	(A)	682	735	(A)	843	878	(A)	957	996	-	-	-	-	-	-
	OHL Output Shaft (B)	7974	8992	8992	7974	8992	8992	7974	8992	8992	7974	8992	8992	-	-	-	-	-	-
148.99	Output RPM	23	12	8	23	12	8	23	12	8	23	12	8	-	-	-	-	-	-
	Input HP (Max) (C)	9.86	5.00	3.32	16.58	8.41	5.58	16.58	8.41	5.58	16.58	8.41	5.58	-	-	-	-	-	-
	Output Torque, In-Lb	26845	26845	26845	45140	45140	45140	45140	45140	45140	45140	45140	45140	-	-	-	-	-	-
	OHL Input Shaft	(A)	453	472	(A)	707	737	(A)	844	878	(A)	957	997	-	-	-	-	-	-
	OHL Output Shaft (B)	8992	8992	8992	8992	8992	8992	8992	8992	8992	8992	8992	8992	-	-	-	-	-	-
159.60	Output RPM	22	11	7	22	11	7	22	11	7	22	11	7	-	-	-	-	-	-
	Input HP (Max) (C)	9.59	5.00	3.32	15.48	7.85	5.21	15.48	7.85	5.21	15.48	7.85	5.21	-	-	-	-	-	-
	Output Torque, In-Lb	27974	28756	28756	45140	45140	45140	45140	45140	45140	45140	45140	45140	-	-	-	-	-	-
	OHL Input Shaft	(A)	454	470	(A)	708	738	(A)	844	879	(A)	958	997	-	-	-	-	-	-
	OHL Output Shaft (B)	8992	8992	8992	8992	8992	8992	8992	8992	8992	8992	8992	8992	-	-	-	-	-	-
171.62	Output RPM	20	10	7	20	10	7	20	10	7	20	10	7	-	-	-	-	-	-
	Input HP (Max) (C)	9.22	4.81	3.32	14.40	7.30	4.84	14.40	7.30	4.84	14.40	7.30	4.84	-	-	-	-	-	-
	Output Torque, In-Lb	28913	29747	30923	45140	45140	45140	45140	45140	45140	45140	45140	45140	-	-	-	-	-	-
	OHL Input Shaft	(A)	453	471	(A)	710	736	(A)	844	879	(A)	958	997	-	-	-	-	-	-
	OHL Output Shaft (B)	8992	8992	8992	8992	8992	8992	8992	8992	8992	8992	8992	8992	-	-	-	-	-	-
185.36	Output RPM	19	9	6	19	9	6	19	9	6	19	9	6	-	-	-	-	-	-
	Input HP (Max) (C)	8.83	4.61	3.19	13.33	6.76	4.48	13.33	6.76	4.48	13.33	6.76	4.48	-	-	-	-	-	-
	Output Torque, In-Lb	29904	30774	32081	45140	45140	45140	45140	45140	45140	45140	45140	45140	-	-	-	-	-	-
	OHL Input Shaft	(A)	453	470	(A)	711	737	(A)	844	871	(A)	958	997	-	-	-	-	-	-
	OHL Output Shaft (B)	8992	8992	8992	8992	8992	8992	8992	8992	8992	8992	8992	8992	-	-	-	-	-	-
201.22	Output RPM	17	9	6	17	9	6	17	9	6	17	9	6	-	-	-	-	-	-
	Input HP (Max) (C)	8.43	4.40	3.04	12.28	6.23	4.13	12.28	6.23	4.13	12.28	6.23	4.13	-	-	-	-	-	-
	Output Torque, In-Lb	30974	31881	33235	45140	45140	45140	45140	45140	45140	45140	45140	45140	-	-	-	-	-	-
	OHL Input Shaft	(A)	453	470	(A)	709	739	(A)	838	873	(A)	958	998	-	-	-	-	-	-
	OHL Output Shaft (B)	8992	8992	8992	8992	8992	8992	8992	8992	8992	8992	8992	8992	-	-	-	-	-	-

(A) (B) (C) - See Footnotes page on inside back cover
Blank areas (-) indicate configuration not available

NOMENCLATURE PAGE ILH-4	STOCK/NON-STOCK PART NUMBERS PAGE ILH-67	DIMENSIONS PAGE ILH-286	THERMAL RATINGS PAGE ILH-335
----------------------------	---	----------------------------	---------------------------------

SELECTION



QUANTS

QUANTS GOLD

ILH

RHB

MSM

IN-LINE HELICAL REDUCER (ILH)

SIZE: H_1283
60 HZ

Service Factor - 1.0 Clamp Collar / 3 Pc Coupled / Separate
TRIPLE REDUCTION

NEMA MOTOR FRAME IEC MOTOR FRAME SEPARATE GROUP		140TC 90D 90			180TC 100D 100			--- 112D 112			210TC 132D 132			250TC 160D 160			280TC 180D/200D 180		
RATIO	OUTPUT RATING DATA	3450	1750	1160	3450	1750	1160	3450	1750	1160	3450	1750	1160	3450	1750	1160	3450	1750	1160
219.72	Output RPM	16	8	5	16	8	5	16	8	5	-	-	-	-	-	-	-	-	-
	Input HP (Max) (C)	8.01	4.18	2.89	11.25	5.70	3.78	11.25	5.70	3.78	-	-	-	-	-	-	-	-	-
	Output Torque, In-Lb	32151	33094	34502	45140	45140	45140	45140	45140	45140	-	-	-	-	-	-	-	-	-
	OHL Input Shaft	(A)	452	474	(A)	710	740	(A)	839	874	-	-	-	-	-	-	-	-	-
	OHL Output Shaft (B)	8992	8992	8992	8992	8992	8992	8992	8992	8992	-	-	-	-	-	-	-	-	-
245.93	Output RPM	14	7	5	14	7	5	-	-	-	-	-	-	-	-	-	-	-	-
	Input HP (Max) (C)	7.51	3.92	2.71	10.05	5.10	3.38	-	-	-	-	-	-	-	-	-	-	-	-
	Output Torque, In-Lb	33758	34751	36235	45140	45140	45140	-	-	-	-	-	-	-	-	-	-	-	-
	OHL Input Shaft	(A)	456	474	(A)	712	741	-	-	-	-	-	-	-	-	-	-	-	-
	OHL Output Shaft (B)	8992	8992	8992	8992	8992	8992	-	-	-	-	-	-	-	-	-	-	-	-
268.16	Output RPM	13	7	4	13	7	4	-	-	-	-	-	-	-	-	-	-	-	-
	Input HP (Max) (C)	7.03	3.74	2.58	9.21	4.67	3.10	-	-	-	-	-	-	-	-	-	-	-	-
	Output Torque, In-Lb	34418	36115	37654	45140	45140	45140	-	-	-	-	-	-	-	-	-	-	-	-
	OHL Input Shaft	(A)	456	474	(A)	712	742	-	-	-	-	-	-	-	-	-	-	-	-
	OHL Output Shaft (B)	8992	8992	8992	8992	8992	8992	-	-	-	-	-	-	-	-	-	-	-	-

(A) (B) (C) - See Footnotes page on inside back cover
Blank areas (-) indicate configuration not available

NOMENCLATURE PAGE ILH-4	STOCK/NON-STOCK PART NUMBERS PAGE ILH-67	DIMENSIONS PAGE ILH-286	THERMAL RATINGS PAGE ILH-335
----------------------------	---	----------------------------	---------------------------------

IN-LINE HELICAL REDUCER (ILH)

SIZE: H_1482
60 HZ

Service Factor - 1.0 Clamp Collar / 3 Pc Coupled / Separate
DOUBLE REDUCTION

NEMA MOTOR FRAME IEC MOTOR FRAME SEPARATE GROUP		210TC 132D 132			250TC 160D 160			280TC 180D/200D 180			320TC 225D 225			360TC 250D 250		
RATIO	OUTPUT RATING DATA	3450	1750	1160	3450	1750	1160	3450	1750	1160	3450	1750	1160	3450	1750	1160
4.92	Output RPM	-	-	-	701	356	236	701	356	236	701	356	236	701	356	236
	Input HP (Max) (C)	-	-	-	89.63	45.47	30.14	182.56	92.60	61.38	250.63	137.51	90.92	265.03	144.74	99.71
	Output Torque, In-Lb	-	-	-	8056	8056	8056	16408	16408	16408	22526	24365	24303	23821	25647	26655
	OHL Input Shaft OHL Output Shaft (B)	-	-	-	(A) 1523 (A) 5381	1586 6087		(A) 1745 (A) 5381	2102 6087		(A) 2182 (A) 5381	2274 6087		(A) 2111 (A) 5381	2528 6087	
6.43	Output RPM	-	-	-	537	272	180	537	272	180	537	272	180	537	272	180
	Input HP (Max) (C)	-	-	-	89.61	45.45	30.13	182.52	92.58	61.37	233.81	127.69	87.76	230.10	125.68	86.60
	Output Torque, In-Lb	-	-	-	10526	10526	10526	21439	21439	21439	27464	29570	30660	27028	29103	30255
	OHL Input Shaft OHL Output Shaft (B)	-	-	-	(A) 1488 (A) 5381	1585 6087		(A) 1640 (A) 5381	1997 6087		(A) 2124 (A) 5381	2261 6087		(A) 2108 (A) 5381	2525 6087	
7.57	Output RPM	456	231	153	456	231	153	456	231	153	456	231	153	456	231	153
	Input HP (Max) (C)	60.79	32.63	21.71	89.65	45.48	30.14	182.59	92.62	61.39	212.59	116.13	80.00	209.12	114.24	78.71
	Output Torque, In-Lb	8407	8896	8927	12398	12398	12398	25250	25250	25250	29399	31660	32905	28920	31145	32374
	OHL Input Shaft OHL Output Shaft (B)	(A) 949 (A) 6087	987 6751		(A) 1451 (A) 6087	1580 6751		(A) 1546 (A) 6087	1914 6751		(A) 2081 (A) 6087	2262 6751		(A) 2069 (A) 6087	2521 6751	
8.79	Output RPM	-	-	-	392	199	132	392	199	132	392	199	132	392	199	132
	Input HP (Max) (C)	-	-	-	89.59	45.44	30.12	182.47	92.56	61.35	250.50	137.44	90.87	264.90	144.67	99.67
	Output Torque, In-Lb	-	-	-	14386	14386	14386	29300	29300	29300	40224	43509	43399	42537	45797	47598
	OHL Input Shaft OHL Output Shaft (B)	-	-	-	(A) 1523 (A) 6087	1587 6751		(A) 1745 (A) 6087	2102 6751		(A) 2182 (A) 6087	2274 6751		(A) 2111 (A) 6087	2528 6751	
11.48	Output RPM	-	-	-	301	152	101	301	152	101	301	152	101	301	152	101
	Input HP (Max) (C)	-	-	-	89.63	45.46	30.14	182.55	92.60	61.38	233.85	127.71	87.78	230.14	125.70	86.62
	Output Torque, In-Lb	-	-	-	18797	18797	18797	38284	38284	38284	49043	52803	54750	48265	51970	54027
	OHL Input Shaft OHL Output Shaft (B)	-	-	-	(A) 1488 (A) 5381	1585 6751		(A) 1640 (A) 5381	1994 6751		(A) 2124 (A) 5381	2261 6751		(A) 2108 (A) 5381	2523 6751	
13.52	Output RPM	255	129	86	255	129	86	255	129	86	255	129	86	255	129	86
	Input HP (Max) (C)	60.78	32.63	21.70	89.64	45.47	30.14	182.56	92.60	61.38	212.56	116.11	79.99	209.09	114.22	78.70
	Output Torque, In-Lb	15012	15886	15942	22139	22139	22139	45090	45090	45090	52498	56535	58760	51642	55616	57811
	OHL Input Shaft OHL Output Shaft (B)	(A) 949 (A) 5381	987 6751	987 7372	(A) 1451 (A) 5381	1580 6751	7372	(A) 1546 (A) 5381	1914 6751	7372	(A) 2081 (A) 5381	2262 6751	7372	(A) 2069 (A) 5381	2520 6751	7372
15.51	Output RPM	222	113	75	222	113	75	222	113	75	222	113	75	222	113	75
	Input HP (Max) (C)	59.06	31.72	21.35	89.62	45.46	30.13	181.36	92.58	61.37	195.12	106.59	73.43	191.88	104.82	72.22
	Output Torque, In-Lb	16734	17717	17995	25393	25393	25393	51386	51716	51716	55284	59537	61876	54367	58553	60860
	OHL Input Shaft OHL Output Shaft (B)	(A) 946 (A) 6087	985 6751	985 7372	(A) 1415 (A) 6087	1585 6751	7372	(A) 1309 (A) 6087	1833 6751	7372	(A) 2048 (A) 6087	2285 6751	7372	(A) 2037 (A) 6087	2516 6751	7372
17.09	Output RPM	202	102	68	202	102	68	202	102	68	202	102	68	202	102	68
	Input HP (Max) (C)	57.66	30.96	20.85	89.64	45.47	30.14	170.83	92.61	61.39	183.18	100.06	68.93	180.10	98.39	67.79
	Output Torque, In-Lb	18002	19058	19360	27987	27987	27987	53333	57000	57000	57188	61584	64002	56226	60555	62949
	OHL Input Shaft OHL Output Shaft (B)	(A) 944 (A) 6087	983 6751	983 7372	(A) 1384 (A) 6087	1584 6751	7372	(A) 1123 (A) 6087	1760 6751	7372	(A) 2027 (A) 6087	2287 6751	7372	(A) 2016 (A) 6087	2514 6751	7372

(A) (B) (C) - See Footnotes page on inside back cover
Blank areas (-) indicate configuration not available

NOMENCLATURE PAGE ILH-4	STOCK/NON-STOCK PART NUMBERS PAGE ILH-67	DIMENSIONS PAGE ILH-302	THERMAL RATINGS PAGE ILH-335
----------------------------	---	----------------------------	---------------------------------

IN-LINE HELICAL REDUCER (ILH)

SIZE: H_1482
60 HZ

Service Factor - 1.0 Clamp Collar / 3 Pc Coupled / Separate
DOUBLE REDUCTION

NEMA MOTOR FRAME IEC MOTOR FRAME SEPARATE GROUP		210TC 132D 132			250TC 160D 160			280TC 180D/200D 180			320TC 225D 225			360TC 250D 250		
RATIO	OUTPUT RATING DATA	3450	1750	1160	3450	1750	1160	3450	1750	1160	3450	1750	1160	3450	1750	1160
20.21	Output RPM	171	87	57	171	87	57	171	87	57	171	87	57	171	87	57
	Input HP (Max) (C)	54.80	29.43	19.82	89.64	45.47	30.14	153.47	92.60	61.38	163.29	89.22	61.47	160.52	87.69	60.43
	Output Torque, In-Lb	20232	21422	21763	33094	33094	33094	56662	67402	67402	60286	64938	67498	59264	63825	66358
	OHL Input Shaft (A) OHL Output Shaft (B)	(A) 6087 (B) 7372	951 7372	990 7911	(A) 6087 (B) 7372	1325 7911	1588 7911	(A) 6087 (B) 7372	763 7911	1400 7911	(A) 6087 (B) 7372	1990 7911	2290 7911	(A) 6087 (B) 7372	1980 7911	2510 7911
23.04	Output RPM	150	76	50	150	76	50	150	76	50	150	76	50	150	76	50
	Input HP (Max) (C)	52.26	28.07	18.90	89.62	45.46	30.13	139.09	84.60	56.56	148.64	81.20	55.93	146.07	79.79	54.98
	Output Torque, In-Lb	21996	23291	23664	37719	37719	37719	58544	70198	70808	62563	67379	70013	61480	66210	68824
	OHL Input Shaft (A) OHL Output Shaft (B)	(A) 6751 (B) 7372	950 7372	990 7911	(A) 6751 (B) 7372	1235 7911	1545 7911	(A) 6751 (B) 7372	730 7911	1342 7911	(A) 6751 (B) 7372	1967 7911	2293 7911	(A) 6751 (B) 7372	1958 7911	2508 7911
26.49	Output RPM	130	66	44	130	66	44	130	66	44	130	66	44	130	66	44
	Input HP (Max) (C)	49.31	26.49	17.84	87.62	45.46	30.14	123.93	74.22	49.20	133.93	73.17	49.20	131.59	71.89	49.20
	Output Torque, In-Lb	23860	25275	25674	42400	43373	43373	59972	70808	70808	64810	69804	70808	63682	68581	70808
	OHL Input Shaft (A) OHL Output Shaft (B)	(A) 6751 (B) 7372	948 7372	987 7911	(A) 6751 (B) 7372	1029 7911	1479 7911	(A) 6751 (B) 7372	789 7911	1427 7911	(A) 6751 (B) 7372	1941 7911	2279 7911	(A) 6751 (B) 7372	1936 7911	2514 7911
30.28	Output RPM	114	58	38	114	58	38	114	58	38	114	58	38	114	58	38
	Input HP (Max) (C)	46.36	24.91	16.78	81.28	45.02	29.94	110.56	64.93	43.04	120.77	64.93	43.04	118.63	64.81	43.04
	Output Torque, In-Lb	25644	27167	27599	44959	49095	49258	61159	70808	70808	66804	70808	70808	65623	70671	70808
	OHL Input Shaft (A) OHL Output Shaft (B)	(A) 6751 (B) 7372	946 7911	985 9679	(A) 6751 (B) 7372	828 7911	1311 9679	(A) 6751 (B) 7372	860 7911	1496 9679	(A) 6751 (B) 7372	1969 7911	2287 9679	(A) 6751 (B) 7372	1917 7911	2542 9679
35.09	Output RPM	98	50	33	98	50	33	98	50	33	98	50	33	-	-	-
	Input HP (Max) (C)	43.09	23.16	15.59	72.65	40.49	27.88	97.32	56.03	37.14	107.37	56.03	37.14	-	-	-
	Output Torque, In-Lb	27619	29262	29730	46569	51175	53144	62387	70805	70805	68825	70805	70805	-	-	-
	OHL Input Shaft (A) OHL Output Shaft (B)	(A) 7372 (B) 7911	955 7911	994 9679	(A) 7372 (B) 7911	791 7911	1198 9679	(A) 7372 (B) 7911	929 7911	1565 9679	(A) 7372 (B) 7911	2041 7911	2282 9679	-	-	-
38.23	Output RPM	90	46	30	90	46	30	90	46	30	90	46	30	-	-	-
	Input HP (Max) (C)	41.23	22.17	14.93	67.97	37.82	26.04	90.27	51.43	34.09	100.09	51.43	34.09	-	-	-
	Output Torque, In-Lb	28798	30518	31003	47468	52078	54082	63042	70808	70808	69899	70808	70808	-	-	-
	OHL Input Shaft (A) OHL Output Shaft (B)	(A) 7372 (B) 7911	955 7911	994 9679	(A) 7372 (B) 7911	780 7911	1188 9679	(A) 7372 (B) 7911	964 7911	1602 9679	(A) 7372 (B) 7911	2079 7911	2287 9679	-	-	-
42.59	Output RPM	81	41	27	81	41	27	81	41	27	-	-	-	-	-	-
	Input HP (Max) (C)	39.02	20.98	14.13	63.54	34.65	23.85	81.98	46.16	30.60	-	-	-	-	-	-
	Output Torque, In-Lb	30360	32174	32688	49437	53147	55191	63782	70808	70808	-	-	-	-	-	-
	OHL Input Shaft (A) OHL Output Shaft (B)	(A) 7372 (B) 7911	955 7911	994 9679	(A) 7372 (B) 7911	768 7911	1175 9679	(A) 7372 (B) 7911	1006 7911	1641 9679	-	-	-	-	-	-
45.11	Output RPM	76	39	26	76	39	26	76	39	26	-	-	-	-	-	-
	Input HP (Max) (C)	38.07	20.47	13.78	60.60	33.04	22.75	77.87	43.58	28.89	-	-	-	-	-	-
	Output Torque, In-Lb	31376	33251	33783	49937	53682	55747	64170	70808	70808	-	-	-	-	-	-
	OHL Input Shaft (A) OHL Output Shaft (B)	(A) 7372 (B) 9679	954 9679	994 9679	(A) 7372 (B) 9679	760 9679	1169 9679	(A) 7372 (B) 9679	1025 9679	1663 9679	-	-	-	-	-	-

(A) (B) (C) - See Footnotes page on inside back cover
Blank areas (-) indicate configuration not available

NOMENCLATURE PAGE ILH-4	STOCK/NON-STOCK PART NUMBERS PAGE ILH-67	DIMENSIONS PAGE ILH-302	THERMAL RATINGS PAGE ILH-335
----------------------------	---	----------------------------	---------------------------------

IN-LINE HELICAL REDUCER (ILH)

SIZE: H_1483

Service Factor - 1.0 Clamp Collar / 3 Pc Coupled / Separate

60 HZ

TRIPLE REDUCTION

NEMA MOTOR FRAME IEC MOTOR FRAME SEPARATE GROUP		180TC 100D 100			--- 112D 112			210TC 132D 132			250TC 160D 160			280TC 180D/200D 180			320TC 225D 225		
RATIO	OUTPUT RATING DATA	3450	1750	1160	3450	1750	1160	3450	1750	1160	3450	1750	1160	3450	1750	1160	3450	1750	1160
34.15	Output RPM	-	-	-	-	-	-	-	-	-	101	51	34	101	51	34	101	51	34
	Input HP (Max) (C)	-	-	-	-	-	-	-	-	-	89.37	45.47	30.14	89.37	57.57	38.16	89.37	57.57	38.16
	Output Torque, In-Lb	-	-	-	-	-	-	-	-	-	55756	55921	55921	55756	70808	70808	55756	70808	70808
	OHL Output Shaft (B)	-	-	-	-	-	-	-	-	-	(A) 1523	1586	(A) 2001	2357	(A) 2185	2278	(A) 2185	2278	2278
45.44	Output RPM	-	-	-	-	-	-	-	-	-	76	39	26	76	39	26	76	39	26
	Input HP (Max) (C)	-	-	-	-	-	-	-	-	-	75.66	43.27	28.68	75.66	43.27	28.68	75.66	43.27	28.68
	Output Torque, In-Lb	-	-	-	-	-	-	-	-	-	62804	70808	70808	62804	70808	70808	62804	70808	70808
	OHL Output Shaft (B)	-	-	-	-	-	-	-	-	-	(A) 1505	1587	(A) 2060	2416	(A) 2190	2284	(A) 2190	2284	2284
52.61	Output RPM	-	-	-	-	-	-	66	33	22	66	33	22	66	33	22	66	33	22
	Input HP (Max) (C)	-	-	-	-	-	-	61.07	32.74	21.70	68.27	37.37	24.77	68.27	37.37	24.77	68.27	37.37	24.77
	Output Torque, In-Lb	-	-	-	-	-	-	58695	62037	62037	65615	70808	70808	65615	70808	70808	65615	70808	70808
	OHL Output Shaft (B)	-	-	-	-	-	-	7372	9679	11827	7372	9679	11827	7372	9679	11827	7372	9679	11827
62.12	Output RPM	-	-	-	-	-	-	56	28	19	56	28	19	56	28	19	-	-	-
	Input HP (Max) (C)	-	-	-	-	-	-	59.00	31.65	20.98	60.39	31.65	20.98	60.39	31.65	20.98	-	-	-
	Output Torque, In-Lb	-	-	-	-	-	-	66951	70808	70808	68528	70808	70808	68528	70808	70808	-	-	-
	OHL Output Shaft (B)	-	-	-	-	-	-	7911	9679	11827	7911	9679	11827	7911	9679	11827	-	-	-
69.36	Output RPM	-	-	-	50	25	17	50	25	17	50	25	17	50	25	17	-	-	-
	Input HP (Max) (C)	-	-	-	27.34	13.87	9.19	55.74	28.35	18.79	55.74	28.35	18.79	55.74	28.35	18.79	-	-	-
	Output Torque, In-Lb	-	-	-	34640	34640	34640	70623	70808	70808	70623	70808	70808	70623	70808	70808	-	-	-
	OHL Output Shaft (B)	-	-	-	(A) 835	870	(A) 951	991	(A) 1531	1594	(A) 1531	1594	(A) 2115	2471	(A) 2115	2471	-	-	-
81.04	Output RPM	43	22	14	43	22	14	43	22	14	43	22	14	43	22	14	-	-	-
	Input HP (Max) (C)	20.42	10.36	6.87	27.34	13.87	9.19	47.83	24.26	16.08	47.83	24.26	16.08	47.83	24.26	16.08	-	-	-
	Output Torque, In-Lb	30229	30229	30229	40476	40476	40476	70808	70808	70808	70808	70808	70808	70808	70808	70808	-	-	-
	OHL Output Shaft (B)	7911	11827	12725	7911	11827	12725	7911	11827	12725	7911	11827	12725	7911	11827	12725	-	-	-
92.91	Output RPM	37	19	12	37	19	12	37	19	12	37	19	12	37	19	12	-	-	-
	Input HP (Max) (C)	20.42	10.36	6.87	27.34	13.87	9.19	41.72	21.16	14.03	41.72	21.16	14.03	41.72	21.16	14.03	-	-	-
	Output Torque, In-Lb	34657	34657	34657	46405	46405	46405	70808	70808	70808	70808	70808	70808	70808	70808	70808	-	-	-
	OHL Output Shaft (B)	9679	11827	12725	9679	11827	12725	9679	11827	12725	9679	11827	12725	9679	11827	12725	-	-	-
107.42	Output RPM	-	-	-	32	16	11	32	16	11	32	16	11	-	-	-	-	-	-
	Input HP (Max) (C)	-	-	-	27.34	13.87	9.19	36.08	18.30	12.13	36.08	18.30	12.13	-	-	-	-	-	-
	Output Torque, In-Lb	-	-	-	53652	53652	53652	70808	70808	70808	70808	70808	70808	-	-	-	-	-	-
	OHL Output Shaft (B)	-	-	-	(A) 840	875	(A) 956	996	(A) 1523	1587	(A) 1523	1587	-	-	-	-	-	-	-

(A) (B) (C) - See Footnotes page on inside back cover
Blank areas (-) indicate configuration not available

NOMENCLATURE PAGE ILH-4	STOCK/NON-STOCK PART NUMBERS PAGE ILH-67	DIMENSIONS PAGE ILH-302	THERMAL RATINGS PAGE ILH-335
----------------------------	---	----------------------------	---------------------------------

IN-LINE HELICAL REDUCER (ILH)

SIZE: H_1483
60 HZ

Service Factor - 1.0 Clamp Collar / 3 Pc Coupled / Separate
TRIPLE REDUCTION

NEMA MOTOR FRAME IEC MOTOR FRAME SEPARATE GROUP		180TC 100D 100			--- 112D 112			210TC 132D 132			250TC 160D 160			280TC 180D/200D 180			320TC 225D 225		
RATIO	OUTPUT RATING DATA	3450	1750	1160	3450	1750	1160	3450	1750	1160	3450	1750	1160	3450	1750	1160	3450	1750	1160
111.50	Output RPM	31	16	10	31	16	10	31	16	10	31	16	10	-	-	-	-	-	-
	Input HP (Max) (C)	20.42	10.36	6.87	27.34	13.87	9.19	34.76	17.63	11.69	34.76	17.63	11.69	-	-	-	-	-	-
	Output Torque, In-Lb	41589	41589	41589	55686	55686	55686	70808	70808	70808	70808	70808	70808	-	-	-	-	-	-
	OHL Input Shaft OHL Output Shaft (B)	(A) 708 9679	738 12725	738 12725	(A) 839 9679	874 12725	874 12725	(A) 957 9679	996 12725	996 12725	(A) 1524 9679	1588 12725	1588 12725	-	-	-	-	-	-
123.37	Output RPM	28	14	9	28	14	9	28	14	9	28	14	9	-	-	-	-	-	-
	Input HP (Max) (C)	20.42	10.36	6.87	27.34	13.87	9.19	31.42	15.94	10.56	31.42	15.94	10.56	-	-	-	-	-	-
	Output Torque, In-Lb	46019	46019	46019	61619	61619	61619	70808	70808	70808	70808	70808	70808	-	-	-	-	-	-
	OHL Input Shaft OHL Output Shaft (B)	(A) 711 9679	736 12725	736 12725	(A) 835 9679	871 12725	871 12725	(A) 957 9679	996 12725	996 12725	(A) 1527 9679	1591 12725	1591 12725	-	-	-	-	-	-
144.39	Output RPM	24	12	8	24	12	8	24	12	8	24	12	8	-	-	-	-	-	-
	Input HP (Max) (C)	20.42	10.36	6.87	26.84	13.62	9.03	26.84	13.62	9.03	26.84	13.62	9.03	-	-	-	-	-	-
	Output Torque, In-Lb	53859	53859	53859	70808	70808	70808	70808	70808	70808	70808	70808	70808	-	-	-	-	-	-
	OHL Input Shaft OHL Output Shaft (B)	(A) 712 11827	736 12725	736 12725	(A) 837 11827	873 12725	873 12725	(A) 950 11827	990 12725	990 12725	(A) 1530 11827	1593 12725	1593 12725	-	-	-	-	-	-
156.38	Output RPM	22	11	7	22	11	7	22	11	7	22	11	7	-	-	-	-	-	-
	Input HP (Max) (C)	20.42	10.36	6.87	24.79	12.57	8.33	24.79	12.57	8.33	24.79	12.57	8.33	-	-	-	-	-	-
	Output Torque, In-Lb	58330	58330	58330	70808	70808	70808	70808	70808	70808	70808	70808	70808	-	-	-	-	-	-
	OHL Input Shaft OHL Output Shaft (B)	(A) 711 11827	740 12725	740 12725	(A) 839 11827	874 12725	874 12725	(A) 952 11827	988 12725	988 12725	(A) 1531 11827	1594 12725	1594 12725	-	-	-	-	-	-
174.53	Output RPM	20	10	7	20	10	7	20	10	7	-	-	-	-	-	-	-	-	-
	Input HP (Max) (C)	19.33	10.36	6.87	22.21	11.27	7.47	22.21	11.27	7.47	-	-	-	-	-	-	-	-	-
	Output Torque, In-Lb	61633	65099	65099	70808	70808	70808	70808	70808	70808	-	-	-	-	-	-	-	-	-
	OHL Input Shaft OHL Output Shaft (B)	(A) 556 11827	737 12725	737 12725	(A) 836 11827	871 12725	871 12725	(A) 951 11827	990 12725	990 12725	-	-	-	-	-	-	-	-	-
185.03	Output RPM	19	9	6	19	9	6	19	9	6	-	-	-	-	-	-	-	-	-
	Input HP (Max) (C)	18.43	10.03	6.87	20.95	10.63	7.04	20.95	10.63	7.04	-	-	-	-	-	-	-	-	-
	Output Torque, In-Lb	62310	66852	69018	70808	70808	70808	70808	70808	70808	-	-	-	-	-	-	-	-	-
	OHL Input Shaft OHL Output Shaft (B)	(A) 522 11827	740 12725	740 12725	(A) 837 11827	873 12725	873 12725	(A) 952 11827	991 12725	991 12725	-	-	-	-	-	-	-	-	-
209.76	Output RPM	16	8	6	16	8	6	16	8	6	-	-	-	-	-	-	-	-	-
	Input HP (Max) (C)	16.61	9.04	6.21	18.48	9.37	6.21	18.48	9.37	6.21	-	-	-	-	-	-	-	-	-
	Output Torque, In-Lb	63661	68285	70808	70808	70808	70808	70808	70808	70808	-	-	-	-	-	-	-	-	-
	OHL Input Shaft OHL Output Shaft (B)	(A) 514 12725	735 12725	735 12725	(A) 840 12725	875 12725	875 12725	(A) 954 12725	994 12725	994 12725	-	-	-	-	-	-	-	-	-
224.43	Output RPM	15	8	5	15	8	5	15	8	5	-	-	-	-	-	-	-	-	-
	Input HP (Max) (C)	15.69	8.54	5.81	17.27	8.76	5.81	17.27	8.76	5.81	-	-	-	-	-	-	-	-	-
	Output Torque, In-Lb	64347	69006	70808	70808	70808	70808	70808	70808	70808	-	-	-	-	-	-	-	-	-
	OHL Input Shaft OHL Output Shaft (B)	(A) 509 12725	737 12725	737 12725	(A) 841 12725	876 12725	876 12725	(A) 955 12725	994 12725	994 12725	-	-	-	-	-	-	-	-	-

(A) (B) (C) - See Footnotes page on inside back cover
Blank areas (-) indicate configuration not available

NOMENCLATURE PAGE ILH-4	STOCK/NON-STOCK PART NUMBERS PAGE ILH-67	DIMENSIONS PAGE ILH-302	THERMAL RATINGS PAGE ILH-335
----------------------------	---	----------------------------	---------------------------------

SELECTION



IN-LINE HELICAL REDUCER (ILH)

SIZE: H_1483
60 HZ

Service Factor - 1.0 Clamp Collar / 3 Pc Coupled / Separate
TRIPLE REDUCTION

NEMA MOTOR FRAME IEC MOTOR FRAME SEPARATE GROUP		180TC 100D 100			--- 112D 112			210TC 132D 132			250TC 160D 160			280TC 180D/200D 180			320TC 225D 225		
RATIO	OUTPUT RATING DATA	3450	1750	1160	3450	1750	1160	3450	1750	1160	3450	1750	1160	3450	1750	1160	3450	1750	1160
236.05	Output RPM	15	7	5	15	7	5	15	7	5	-	-	-	-	-	-	-	-	-
	Input HP (Max) (C)	15.03	8.18	5.52	16.42	8.33	5.52	16.42	8.33	5.52	-	-	-	-	-	-	-	-	-
	Output Torque, In-Lb	64825	69568	70808	70808	70808	70808	70808	70808	70808	-	-	-	-	-	-	-	-	-
	OHL Input Shaft OHL Output Shaft (B)	(A) 507 12725	738 12725	(A) 841 12725	876 12725	(A) 955 12725	995 12725	-	-	-	-	-	-	-	-	-	-	-	-
254.70	Output RPM	14	7	5	14	7	5	14	7	5	-	-	-	-	-	-	-	-	-
	Input HP (Max) (C)	14.08	7.66	5.12	15.22	7.72	5.12	15.22	7.72	5.12	-	-	-	-	-	-	-	-	-
	Output Torque, In-Lb	65521	70276	70808	70808	70808	70808	70808	70808	70808	-	-	-	-	-	-	-	-	-
	OHL Input Shaft OHL Output Shaft (B)	(A) 503 12725	739 12725	(A) 842 12725	877 12725	(A) 956 12725	995 12725	-	-	-	-	-	-	-	-	-	-	-	-
276.23	Output RPM	12	6	4	12	6	4	12	6	4	-	-	-	-	-	-	-	-	-
	Input HP (Max) (C)	13.12	7.12	4.72	14.03	7.12	4.72	14.03	7.12	4.72	-	-	-	-	-	-	-	-	-
	Output Torque, In-Lb	66219	70808	70808	70808	70808	70808	70808	70808	70808	-	-	-	-	-	-	-	-	-
	OHL Input Shaft OHL Output Shaft (B)	(A) 504 12725	740 12725	(A) 843 12725	878 12725	(A) 957 12725	996 12725	-	-	-	-	-	-	-	-	-	-	-	-
301.34	Output RPM	11	6	4	11	6	4	11	6	4	-	-	-	-	-	-	-	-	-
	Input HP (Max) (C)	12.16	6.52	4.32	12.86	6.52	4.32	12.86	6.52	4.32	-	-	-	-	-	-	-	-	-
	Output Torque, In-Lb	66923	70808	70808	70808	70808	70808	70808	70808	70808	-	-	-	-	-	-	-	-	-
	OHL Input Shaft OHL Output Shaft (B)	(A) 518 12725	741 12725	(A) 843 12725	878 12725	(A) 957 12725	996 12725	-	-	-	-	-	-	-	-	-	-	-	-
336.11	Output RPM	10	5	3	10	5	3	-	-	-	-	-	-	-	-	-	-	-	-
	Input HP (Max) (C)	11.03	5.85	3.88	11.53	5.85	3.88	-	-	-	-	-	-	-	-	-	-	-	-
	Output Torque, In-Lb	67736	70808	70808	70808	70808	70808	-	-	-	-	-	-	-	-	-	-	-	-
	OHL Input Shaft OHL Output Shaft (B)	(A) 535 12725	742 12725	(A) 844 12725	878 12725	-	-	-	-	-	-	-	-	-	-	-	-	-	-

(A) (B) (C) - See Footnotes page on inside back cover
Blank areas (-) indicate configuration not available

NOMENCLATURE PAGE ILH-4	STOCK/NON-STOCK PART NUMBERS PAGE ILH-67	DIMENSIONS PAGE ILH-302	THERMAL RATINGS PAGE ILH-335
----------------------------	---	----------------------------	---------------------------------

QUANTIS

QUANTIS GOLD

ILH

RHB

MSM

IN-LINE HELICAL REDUCER (ILH)

SIZE: H_1682
60 HZ

Service Factor - 1.0 Clamp Collar / 3 Pc Coupled / Separate
DOUBLE REDUCTION

NEMA MOTOR FRAME IEC MOTOR FRAME SEPARATE GROUP		210TC 132D 132			250TC 160D 160			280TC 180D/200D 180			320TC 225D 225			360TC 250D 250		
RATIO	OUTPUT RATING DATA	3450	1750	1160	3450	1750	1160	3450	1750	1160	3450	1750	1160	3450	1750	1160
4.93	Output RPM	-	-	-	-	-	-	700	355	235	700	355	235	700	355	235
	Input HP (Max) (C)	-	-	-	-	-	-	182.44	92.54	61.34	249.24	136.78	90.42	297.65	158.68	105.18
	Output Torque, In-Lb	-	-	-	-	-	-	16431	16431	16431	22447	24285	24219	26807	28174	28174
	OHL Input Shaft OHL Output Shaft (B)	- -	- -	- -	- -	- -	- -	(A) (A)	1811 17770	2168 17770	(A) (A)	2185 17770	2264 17770	(A) (A)	2138 17770	2595 17770
6.20	Output RPM	-	-	-	556	282	187	556	282	187	556	282	187	556	282	187
	Input HP (Max) (C)	-	-	-	89.66	45.48	30.15	182.60	92.62	61.40	244.76	134.33	88.79	265.70	145.11	99.99
	Output Torque, In-Lb	-	-	-	10155	10155	10155	20682	20682	20682	27722	29995	29911	30094	32402	33683
	OHL Input Shaft OHL Output Shaft (B)	- -	- -	- -	(A) (A)	1524 17770	1586 17770	(A) (A)	1734 17770	2091 17770	(A) (A)	2183 17770	2276 17770	(A) (A)	2110 17770	2527 17770
8.21	Output RPM	-	-	-	-	-	-	420	213	141	420	213	141	420	213	141
	Input HP (Max) (C)	-	-	-	-	-	-	182.59	92.62	61.39	249.44	136.89	90.49	297.90	158.81	105.27
	Output Torque, In-Lb	-	-	-	-	-	-	27385	27385	27385	37412	40475	40365	44679	46956	46956
	OHL Input Shaft OHL Output Shaft (B)	- -	- -	- -	- -	- -	- -	(A) (A)	1811 17770	2168 17770	(A) (A)	2185 17770	2264 17770	(A) (A)	2138 17770	2594 17770
10.34	Output RPM	-	-	-	334	169	112	334	169	112	334	169	112	334	169	112
	Input HP (Max) (C)	-	-	-	89.60	45.45	30.13	182.48	92.56	61.36	244.60	134.24	88.74	265.53	145.02	99.93
	Output Torque, In-Lb	-	-	-	16925	16925	16925	34470	34470	34470	46203	49991	49852	50156	54003	56139
	OHL Input Shaft OHL Output Shaft (B)	- -	- -	- -	(A) (A)	1524 17770	1586 17770	(A) (A)	1734 17770	2091 17770	(A) (A)	2183 17770	2276 17770	(A) (A)	2110 17770	2527 17770
13.27	Output RPM	-	-	-	260	132	87	260	132	87	260	132	87	260	132	87
	Input HP (Max) (C)	-	-	-	89.63	45.47	30.14	182.55	92.60	61.38	229.54	125.37	85.41	230.69	126.00	86.80
	Output Torque, In-Lb	-	-	-	21729	21729	21729	44254	44254	44254	55645	59914	61581	55922	60218	62585
	OHL Input Shaft OHL Output Shaft (B)	- -	- -	- -	(A) (A)	1486 17770	1585 17770	(A) (A)	1625 17770	1982 17770	(A) (A)	2150 17770	2265 17770	(A) (A)	2088 17770	2522 17770
15.44	Output RPM	223	113	75	223	113	75	223	113	75	223	113	75	223	113	75
	Input HP (Max) (C)	60.68	32.58	21.70	89.64	45.47	30.14	182.57	92.61	61.39	208.97	114.16	78.63	210.06	114.71	79.06
	Output Torque, In-Lb	17115	18115	18206	25284	25284	25284	51496	51496	51496	58943	63480	65964	59251	63788	66320
	OHL Input Shaft OHL Output Shaft (B)	(A) 17770	949 17770	988 17770	(A) 17770	1450 17770	1580 17770	(A) 17770	1526 17770	1900 17770	(A) 17770	2108 17770	2262 17770	(A) 17770	2050 17770	2519 17770
17.60	Output RPM	196	99	66	196	99	66	196	99	66	196	99	66	196	99	66
	Input HP (Max) (C)	58.97	31.66	21.32	89.63	45.47	30.14	180.24	92.60	61.38	191.80	104.78	72.18	192.83	105.34	72.57
	Output Torque, In-Lb	18960	20068	20388	28819	28819	28819	57949	58695	58695	61668	66412	69017	61997	66772	69398
	OHL Input Shaft OHL Output Shaft (B)	(A) 17770	946 17770	985 17770	(A) 17770	1413 17770	1585 17770	(A) 17770	1288 17770	1817 17770	(A) 17770	2077 17770	2286 17770	(A) 17770	2018 17770	2513 17770
19.30	Output RPM	179	91	60	179	91	60	179	91	60	179	91	60	179	91	60
	Input HP (Max) (C)	57.57	30.92	20.82	89.64	45.47	30.14	169.85	92.61	61.39	180.11	98.39	67.79	181.09	98.94	68.16
	Output Torque, In-Lb	20298	21489	21829	31605	31605	31605	59885	64369	64369	63504	68388	71083	63848	68768	71472
	OHL Input Shaft OHL Output Shaft (B)	(A) 17770	944 17770	983 17770	(A) 17770	1383 17770	1583 17770	(A) 17770	1101 17770	1738 17770	(A) 17770	2056 17770	2288 17770	(A) 17770	1997 17770	2511 17770

(A) (B) (C) - See Footnotes page on inside back cover
Blank areas (-) indicate configuration not available

NOMENCLATURE PAGE ILH-4	STOCK/NON-STOCK PART NUMBERS PAGE ILH-67	DIMENSIONS PAGE ILH-318	THERMAL RATINGS PAGE ILH-335
----------------------------	---	----------------------------	---------------------------------

IN-LINE HELICAL REDUCER (ILH)

SIZE: H_1682

Service Factor - 1.0 Clamp Collar / 3 Pc Coupled / Separate

60 HZ

DOUBLE REDUCTION

NEMA MOTOR FRAME IEC MOTOR FRAME SEPARATE GROUP		210TC 132D 132			250TC 160D 160			280TC 180D/200D 180			320TC 225D 225			360TC 250D 250		
RATIO	OUTPUT RATING DATA	3450	1750	1160	3450	1750	1160	3450	1750	1160	3450	1750	1160	3450	1750	1160
23.26	Output RPM	148	75	50	148	75	50	148	75	50	148	75	50	148	75	50
	Input HP (Max) (C)	54.14	29.07	19.58	89.64	45.47	30.14	150.03	89.62	61.38	157.63	86.11	59.34	158.50	86.59	59.66
	Output Torque, In-Lb	23004	24355	24745	38088	38088	38088	63749	75078	77573	66978	72132	74990	67349	72539	75395
	OHL Input Shaft OHL Output Shaft (B)	(A) 17770	951 17770	990 17770	(A) 17770	1313 17770	1587 17770	(A) 17770	778 17770	1316 17770	(A) 17770	2015 17770	2291 17770	(A) 17770	1957 17770	2506 17770
25.84	Output RPM	134	68	45	134	68	45	134	68	45	134	68	45	134	68	45
	Input HP (Max) (C)	52.09	27.98	18.84	89.47	45.47	30.14	139.01	82.90	57.13	145.73	79.60	54.86	146.53	80.04	55.16
	Output Torque, In-Lb	24588	26039	26453	42233	42311	42311	65621	77147	80214	68793	74075	77016	69169	74486	77443
	OHL Input Shaft OHL Output Shaft (B)	(A) 17770	951 17770	989 17770	(A) 17770	1225 17770	1542 17770	(A) 17770	759 17770	1276 17770	(A) 17770	1998 17770	2271 17770	(A) 17770	1940 17770	2507 17770
29.27	Output RPM	118	60	40	118	60	40	118	60	40	118	60	40	118	60	40
	Input HP (Max) (C)	49.41	26.54	17.88	84.56	45.47	30.14	128.74	75.36	51.93	132.41	72.33	49.86	133.16	72.73	50.13
	Output Torque, In-Lb	26421	27982	28430	45215	47934	47934	68839	79444	82590	70800	76241	79287	71202	76663	79729
	OHL Input Shaft OHL Output Shaft (B)	(A) 17770	948 17770	987 17770	(A) 17770	1035 17770	1481 17770	(A) 17770	737 17770	1255 17770	(A) 17770	1977 17770	2274 17770	(A) 17770	1918 17770	2505 17770
33.88	Output RPM	-	-	-	-	-	-	102	52	34	102	52	34	102	52	34
	Input HP (Max) (C)	-	-	-	-	-	-	115.47	67.16	46.25	117.90	64.42	44.37	118.56	64.76	44.64
	Output Torque, In-Lb	-	-	-	-	-	-	71464	81946	85138	72974	78605	81679	73383	79014	82170
	OHL Input Shaft OHL Output Shaft (B)	- -	- -	- -	- -	- -	- -	17770 17770	739 17770	1257 17770	(A) 17770	1978 17770	2279 17770	(A) 17770	1920 17770	2510 17770
39.45	Output RPM	-	-	-	-	-	-	87	44	29	87	44	29	-	-	-
	Input HP (Max) (C)	-	-	-	-	-	-	103.63	59.30	40.86	104.07	56.85	39.18	-	-	-
	Output Torque, In-Lb	-	-	-	-	-	-	74686	84253	87576	75004	80771	83983	-	-	-
	OHL Input Shaft OHL Output Shaft (B)	- -	- -	- -	- -	- -	- -	(A) 17770	695 17770	1212 17770	(A) 17770	1933 17770	2281 17770	- -	- -	- -
42.09	Output RPM	-	-	-	-	-	-	82	42	28	82	42	28	-	-	-
	Input HP (Max) (C)	-	-	-	-	-	-	98.09	56.20	38.72	98.60	53.86	37.11	-	-	-
	Output Torque, In-Lb	-	-	-	-	-	-	75420	85189	88535	75815	81648	84855	-	-	-
	OHL Input Shaft OHL Output Shaft (B)	- -	- -	- -	- -	- -	- -	(A) 17770	686 17770	1204 17770	(A) 17770	1924 17770	2281 17770	- -	- -	- -
46.61	Output RPM	-	-	-	-	-	-	74	38	25	-	-	-	-	-	-
	Input HP (Max) (C)	-	-	-	-	-	-	83.76	51.55	35.30	-	-	-	-	-	-
	Output Torque, In-Lb	-	-	-	-	-	-	71322	86527	89385	-	-	-	-	-	-
	OHL Input Shaft OHL Output Shaft (B)	- -	- -	- -	- -	- -	- -	(A) 17770	676 17770	1212 17770	- -	- -	- -	- -	- -	- -

(A) (B) (C) - See Footnotes page on inside back cover
Blank areas (-) indicate configuration not available

NOMENCLATURE PAGE ILH-4	STOCK/NON-STOCK PART NUMBERS PAGE ILH-67	DIMENSIONS PAGE ILH-318	THERMAL RATINGS PAGE ILH-335
----------------------------	---	----------------------------	---------------------------------

IN-LINE HELICAL REDUCER (ILH)

SIZE: H_1683
60 HZ

Service Factor - 1.0 Clamp Collar / 3 Pc Coupled / Separate TRIPLE REDUCTION

NEMA MOTOR FRAME IEC MOTOR FRAME SEPARATE GROUP		210TC 132D 132			250TC 160D 160			280TC 180D/200D 180			320TC 225D 225			360TC 250D 250		
RATIO	OUTPUT RATING DATA	3450	1750	1160	3450	1750	1160	3450	1750	1160	3450	1750	1160	3450	1750	1160
40.99	Output RPM	-	-	-	84	43	28	84	43	28	84	43	28	84	43	28
	Input HP (Max) (C)	-	-	-	89.64	45.47	30.14	154.63	83.94	55.64	154.63	83.94	55.64	154.63	83.94	55.64
	Output Torque, In-Lb	-	-	-	67123	67123	67123	115792	123914	123914	115792	123914	123914	115792	123914	123914
	OHL Input Shaft OHL Output Shaft (B)	- -	- -	- -	(A) 17770	1523 17770	1523 17770	(A) 17770	1808 17770	2165 17770	(A) 17770	2188 17770	2283 17770	(A) 17770	2527 17770	2781 17770
53.56	Output RPM	-	-	-	64	33	22	64	33	22	64	33	22	64	33	22
	Input HP (Max) (C)	-	-	-	89.64	45.47	30.14	124.45	64.24	42.58	124.45	64.24	42.58	124.45	64.24	42.58
	Output Torque, In-Lb	-	-	-	87704	87704	87704	121764	123914	123914	121764	123914	123914	121764	123914	123914
	OHL Input Shaft OHL Output Shaft (B)	- -	- -	- -	(A) 17770	1478 17770	1478 17770	(A) 17770	1881 17770	2236 17770	(A) 17770	2204 17770	2297 17770	(A) 17770	2592 17770	2794 17770
63.08	Output RPM	55	28	18	55	28	18	55	28	18	55	28	18	55	28	18
	Input HP (Max) (C)	60.78	32.63	21.70	89.64	45.47	30.14	107.53	54.54	36.16	107.53	54.54	36.16	107.53	54.54	36.16
	Output Torque, In-Lb	70045	74120	74381	103296	103296	103296	123914	123914	123914	123914	123914	123914	123914	123914	123914
	OHL Input Shaft OHL Output Shaft (B)	(A) 17770	949 17770	987 17770	(A) 17770	1440 17770	1440 17770	(A) 17770	1916 17770	2272 17770	(A) 17770	2206 17770	2299 17770	(A) 17770	2627 17770	2797 17770
72.36	Output RPM	48	24	16	48	24	16	48	24	16	48	24	16	-	-	-
	Input HP (Max) (C)	59.07	31.72	21.36	89.63	45.46	30.14	93.74	47.55	31.52	93.74	47.55	31.52	-	-	-
	Output Torque, In-Lb	78080	82664	83960	118478	118478	118478	123914	123914	123914	123914	123914	123914	-	-	-
	OHL Input Shaft OHL Output Shaft (B)	(A) 17770	946 17770	985 17770	(A) 17770	1403 17770	1403 17770	(A) 17770	1941 17770	2298 17770	(A) 17770	2208 17770	2300 17770	-	-	-
79.75	Output RPM	43	22	15	43	22	15	43	22	15	43	22	15	-	-	-
	Input HP (Max) (C)	57.65	30.96	20.85	85.05	43.14	28.60	85.05	43.14	28.60	85.05	43.14	28.60	-	-	-
	Output Torque, In-Lb	83995	88919	90330	123914	123914	123914	123914	123914	123914	123914	123914	123914	-	-	-
	OHL Input Shaft OHL Output Shaft (B)	(A) 17770	944 17770	983 17770	(A) 17770	1395 17770	1395 17770	(A) 17770	1955 17770	2312 17770	(A) 17770	2208 17770	2300 17770	-	-	-
94.30	Output RPM	37	19	12	37	19	12	37	19	12	37	19	12	-	-	-
	Input HP (Max) (C)	54.80	29.43	19.82	71.93	36.49	24.19	71.93	36.49	24.19	71.93	36.49	24.19	-	-	-
	Output Torque, In-Lb	94401	99951	101542	123914	123914	123914	123914	123914	123914	123914	123914	123914	-	-	-
	OHL Input Shaft OHL Output Shaft (B)	(A) 17770	951 17770	990 17770	(A) 17770	1419 17770	1419 17770	(A) 17770	1978 17770	2335 17770	(A) 17770	2193 17770	2285 17770	-	-	-
107.48	Output RPM	32	16	11	32	16	11	32	16	11	32	16	11	-	-	-
	Input HP (Max) (C)	52.27	28.07	18.91	63.11	32.01	21.22	63.11	32.01	21.22	63.11	32.01	21.22	-	-	-
	Output Torque, In-Lb	102629	108672	110411	123914	123914	123914	123914	123914	123914	123914	123914	123914	-	-	-
	OHL Input Shaft OHL Output Shaft (B)	(A) 17770	950 17770	990 17770	(A) 17770	1436 17770	1436 17770	(A) 17770	1993 17770	2350 17770	(A) 17770	2190 17770	2283 17770	-	-	-
123.59	Output RPM	28	14	9	28	14	9	28	14	9	-	-	-	-	-	-
	Input HP (Max) (C)	49.31	26.49	17.84	54.88	27.84	18.45	54.88	27.84	18.45	-	-	-	-	-	-
	Output Torque, In-Lb	111325	117927	119791	123914	123914	123914	123914	123914	123914	-	-	-	-	-	-
	OHL Input Shaft OHL Output Shaft (B)	(A) 17770	948 17770	987 17770	(A) 17770	1451 17770	1451 17770	(A) 17770	2007 17770	2364 17770	-	-	-	-	-	-

(A) (B) (C) - See Footnotes page on inside back cover
Blank areas (-) indicate configuration not available

NOMENCLATURE PAGE ILH-4	STOCK/NON-STOCK PART NUMBERS PAGE ILH-67	DIMENSIONS PAGE ILH-318	THERMAL RATINGS PAGE ILH-335
----------------------------	---	----------------------------	---------------------------------

IN-LINE HELICAL REDUCER (ILH)

SIZE: H_1683
60 HZ

Service Factor - 1.0 Clamp Collar / 3 Pc Coupled / Separate
TRIPLE REDUCTION

NEMA MOTOR FRAME IEC MOTOR FRAME SEPARATE GROUP		210TC 132D 132			250TC 160D 160			280TC 180D/200D 180			320TC 225D 225			360TC 250D 250		
RATIO	OUTPUT RATING DATA	3450	1750	1160	3450	1750	1160	3450	1750	1160	3450	1750	1160	3450	1750	1160
141.28	Output RPM	24	12	8	24	12	8	24	12	8	-	-	-	-	-	-
	Input HP (Max) (C)	46.36	24.35	16.14	48.01	24.35	16.14	48.01	24.35	16.14	-	-	-	-	-	-
	Output Torque, In-Lb	119650	123914	123914	123914	123914	123914	123914	123914	123914	-	-	-	-	-	-
	OHL Input Shaft OHL Output Shaft (B)	(A) 17770	948 17770	989 17770	(A) 17770	1463 17770	1463 17770	(A) 17770	2019 17770	2376 17770	-	-	-	-	-	-
163.72	Output RPM	21	11	7	21	11	7	21	11	7	-	-	-	-	-	-
	Input HP (Max) (C)	41.43	21.02	13.93	41.43	21.02	13.93	41.43	21.02	13.93	-	-	-	-	-	-
	Output Torque, In-Lb	123914	123914	123914	123914	123914	123914	123914	123914	123914	-	-	-	-	-	-
	OHL Input Shaft OHL Output Shaft (B)	(A) 17770	952 17770	992 17770	(A) 17770	1474 17770	1474 17770	(A) 17770	2030 17770	2387 17770	-	-	-	-	-	-
178.38	Output RPM	19	10	7	19	10	7	-	-	-	-	-	-	-	-	-
	Input HP (Max) (C)	38.03	19.29	12.79	38.03	19.29	12.79	-	-	-	-	-	-	-	-	-
	Output Torque, In-Lb	123914	123914	123914	123914	123914	123914	-	-	-	-	-	-	-	-	-
	OHL Input Shaft OHL Output Shaft (B)	(A) 17770	948 17770	988 17770	(A) 17770	1480 17770	1480 17770	-	-	-	-	-	-	-	-	-
198.71	Output RPM	17	9	6	17	9	6	-	-	-	-	-	-	-	-	-
	Input HP (Max) (C)	34.14	17.32	11.48	34.14	17.32	11.48	-	-	-	-	-	-	-	-	-
	Output Torque, In-Lb	123914	123914	123914	123914	123914	123914	-	-	-	-	-	-	-	-	-
	OHL Input Shaft OHL Output Shaft (B)	(A) 17770	951 17770	991 17770	(A) 17770	1487 17770	1487 17770	-	-	-	-	-	-	-	-	-
210.49	Output RPM	16	8	6	16	8	6	-	-	-	-	-	-	-	-	-
	Input HP (Max) (C)	32.23	16.35	10.84	32.23	16.35	10.84	-	-	-	-	-	-	-	-	-
	Output Torque, In-Lb	123914	123914	123914	123914	123914	123914	-	-	-	-	-	-	-	-	-
	OHL Input Shaft OHL Output Shaft (B)	(A) 17770	952 17770	992 17770	(A) 17770	1491 17770	1491 17770	-	-	-	-	-	-	-	-	-
236.72	Output RPM	15	7	5	15	7	5	-	-	-	-	-	-	-	-	-
	Input HP (Max) (C)	28.65	14.53	9.63	28.65	14.53	9.63	-	-	-	-	-	-	-	-	-
	Output Torque, In-Lb	123914	123914	123914	123914	123914	123914	-	-	-	-	-	-	-	-	-
	OHL Input Shaft OHL Output Shaft (B)	(A) 17770	954 17770	994 17770	(A) 17770	1497 17770	1497 17770	-	-	-	-	-	-	-	-	-
253.08	Output RPM	14	7	5	14	7	5	-	-	-	-	-	-	-	-	-
	Input HP (Max) (C)	26.80	13.60	9.01	26.80	13.60	9.01	-	-	-	-	-	-	-	-	-
	Output Torque, In-Lb	123914	123914	123914	123914	123914	123914	-	-	-	-	-	-	-	-	-
	OHL Input Shaft OHL Output Shaft (B)	(A) 17770	955 17770	995 17770	(A) 17770	1500 17770	1500 17770	-	-	-	-	-	-	-	-	-
268.29	Output RPM	13	7	4	-	-	-	-	-	-	-	-	-	-	-	-
	Input HP (Max) (C)	25.28	12.82	8.50	-	-	-	-	-	-	-	-	-	-	-	-
	Output Torque, In-Lb	123914	123914	123914	-	-	-	-	-	-	-	-	-	-	-	-
	OHL Input Shaft OHL Output Shaft (B)	(A) 17770	956 17770	995 17770	-	-	-	-	-	-	-	-	-	-	-	-

(A) (B) (C) - See Footnotes page on inside back cover
Blank areas (-) indicate configuration not available

NOMENCLATURE PAGE ILH-4	STOCK/NON-STOCK PART NUMBERS PAGE ILH-67	DIMENSIONS PAGE ILH-318	THERMAL RATINGS PAGE ILH-335
----------------------------	---	----------------------------	---------------------------------

SELECTION



IN-LINE HELICAL REDUCER (ILH)

SIZE: H_1683
60 HZ

Service Factor - 1.0 Clamp Collar / 3 Pc Coupled / Separate
TRIPLE REDUCTION

NEMA MOTOR FRAME IEC MOTOR FRAME SEPARATE GROUP		210TC 132D 132			250TC 160D 160			280TC 180D/200D 180			320TC 225D 225			360TC 250D 250		
RATIO	OUTPUT RATING DATA	3450	1750	1160	3450	1750	1160	3450	1750	1160	3450	1750	1160	3450	1750	1160
289.23	Output RPM	12	6	4	-	-	-	-	-	-	-	-	-	-	-	-
	Input HP (Max) (C)	23.45	11.90	7.89	-	-	-	-	-	-	-	-	-	-	-	-
	Output Torque, In-Lb	123914	123914	123914	-	-	-	-	-	-	-	-	-	-	-	-
	OHL Input Shaft OHL Output Shaft (B)	(A) 17770	956 17770	996 17770	-	-	-	-	-	-	-	-	-	-	-	-
313.41	Output RPM	11	6	4	-	-	-	-	-	-	-	-	-	-	-	-
	Input HP (Max) (C)	21.64	10.98	7.28	-	-	-	-	-	-	-	-	-	-	-	-
	Output Torque, In-Lb	123914	123914	123914	-	-	-	-	-	-	-	-	-	-	-	-
	OHL Input Shaft OHL Output Shaft (B)	(A) 17770	957 17770	996 17770	-	-	-	-	-	-	-	-	-	-	-	-
341.61	Output RPM	10	5	3	-	-	-	-	-	-	-	-	-	-	-	-
	Input HP (Max) (C)	18.82	10.07	6.68	-	-	-	-	-	-	-	-	-	-	-	-
	Output Torque, In-Lb	117453	123914	123914	-	-	-	-	-	-	-	-	-	-	-	-
	OHL Input Shaft OHL Output Shaft (B)	(A) 17770	957 17770	997 17770	-	-	-	-	-	-	-	-	-	-	-	-

ILH

(A) (B) (C) - See Footnotes page on inside back cover
Blank areas (-) indicate configuration not available

NOMENCLATURE PAGE ILH-4	STOCK/NON-STOCK PART NUMBERS PAGE ILH-67	DIMENSIONS PAGE ILH-318	THERMAL RATINGS PAGE ILH-335
----------------------------	---	----------------------------	---------------------------------

QUANTIS Part Number Nomenclature

ILH Example: H3C56S00477

H	3	C	56	S	00477
Housing Configuration	Size	Input Type	Frame	Output Type	Ratio
H = ILH Foot Mounted B = RHB Foot Mounted BF = RHB Flange Mounted M = MSM Universal Mounting	3 = 38 4 = 48 6 = 68 8 = 88 10 = 108 12 = 128 14 = 148 16 = 168	C = Clamp Collar	56 = 56C 14 = 140TC 18 = 180TC 21 = 210TC 25 = 250TC 28 = 280TC	S = Solid Inch Shaft (RHB - A Side) T = Tapered Hollow	000.00

ILH Reducer Specifications:

- Sizes 38 - 168
- NEMA Clamp Collar Design
- Foot Mounted Housing Configuration
- Standard Inch Output Shafts
- Nitrile Input and Output Lip Seals
- A1 Mounting
- Mobilgear 600 X P 220



NOMENCLATURE PAGE ILH-4	SELECTION GEARMOTOR PAGE ILH-78	DIMENSIONS PAGE ILH-118	THERMAL RATINGS PAGE ILH-335
----------------------------	------------------------------------	----------------------------	---------------------------------

QUANTIS PART NUMBERS



ILH Footed Stock Part Numbers

HB Housing Stock

Ratio	Size	Exact Ratio	Part Number	Output RPM	Output Torque (in-lb)	Output OHL (lbf)	Mechanical Input HP (Max)					
							56C	140TC	180TC	210TC	250TC	280TC
4:1	HB 482	4.28	H4C14S00428	409	772	896		5.01				
	HB 482	4.28	H4C18S00428	409	1598	896			10.37			
	HB 682	4.22	H6C18S00422	415	1573	1473			10.35			
	HB 682	3.49	H6C21S00349	501	3349	1498				26.64		
	HB 682	4.22	H6C21S00422	415	3794	1473				24.96		
5:1	HB 382	4.77	H3C56S00477	367	347	518	2.02					
	HB 382	4.77	H3C14S00477	367	860	518		5.01				
	HB 382	5.55	H3C14S00555	315	1000	518		5.00				
	HB 482	5.15	H4C14S00515	340	927	904		5.00				
	HB 382	4.77	H3C18S00477	367	1236	518			7.19			
	HB 482	5.15	H4C18S00515	340	1920	904			10.35			
	HB 682	5.06	H6C21S00506	346	4241	1466				23.27		
HB 882	4.87	H8C25S00487	359	7972	2656					45.45		
6:1	HB 382	6.16	H3C56S00616	284	448	518	2.02					
	HB 382	6.16	H3C14S00616	284	1110	518		5.00				
	HB 382	6.71	H3C14S00671	261	1205	518		4.99				
	HB 482	6.06	H4C14S00606	289	1092	904		5.00				
	HB 382	6.71	H3C18S00671	261	1452	518			6.01			
	HB 482	6.06	H4C18S00606	289	2260	904			10.36			
	HB 482	6.90	H4C18S00690	254	2573	904			10.35			
	HB 682	5.93	H6C21S00593	295	4337	1466				20.31		
	HB 682	6.72	H6C21S00672	260	5973	1466				24.68		
	HB 882	5.94	H8C25S00594	295	9723	2656					45.45	
7.5:1	HB 382	7.50	H3C56S00750	233	545	279	2.02					
	HB 382	7.50	H3C14S00750	233	1283	279		4.75				
	HB 382	7.52	H3C14S00752	233	1355	279		5.00				
	HB 382	8.75	H3C14S00875	200	1576	279		5.00				
	HB 482	8.29	H4C14S00829	211	1493	919		5.00				
	HB 382	7.50	H3C18S00750	233	1509	279			5.59			
	HB 482	8.29	H4C18S00829	211	2925	919			9.80			
	HB 682	8.11	H6C21S00811	216	6565	1057				22.48		
10:1	HB 382	9.70	H3C56S00970	180	705	279	2.02					
	HB 382	9.70	H3C14S00970	180	1698	279		4.86				
	HB 482	9.76	H4C14S00976	179	1758	919		5.00				
	HB 382	9.70	H3C18S00970	180	1698	279			4.86			
	HB 482	9.76	H4C18S00976	179	3090	919			8.79			
	HB 682	9.73	H6C21S00973	180	7067	1057				20.17		
	HB 882	9.26	H8C21S00926	189	9544	2252				28.62		
	HB 882	9.26	H8C25S00926	189	12464	2252					37.37	

 Stock

Note: Footed, standard inch shaft diameter, A1 mounting position, clamp collar input, 1750 rpm input speed

NOMENCLATURE PAGE ILH-4	SELECTION GEARMOTOR PAGE ILH-78	DIMENSIONS PAGE ILH-118	THERMAL RATINGS PAGE ILH-335
----------------------------	------------------------------------	----------------------------	---------------------------------

ILH Footed Stock Part Numbers

HB Housing Stock

Ratio	Size	Exact Ratio	Part Number	Output RPM	Output Torque (in-lb)	Output OHL (lbf)	Mechanical Input HP (Max)					
							56C	140TC	180TC	210TC	250TC	280TC
12:1	HB 382	11.82	H3C56S01182	148	859	416	2.02					
	HB 482	12.25	H4C56S01225	143	891	937	2.02					
	HB 382	10.57	H3C14S01057	166	1747	279		4.59				
	HB 382	11.82	H3C14S01182	148	1813	416		4.26				
	HB 382	12.92	H3C14S01292	135	1867	416		4.01				
	HB 482	10.93	H4C14S01093	160	1970	919		5.00				
	HB 482	12.25	H4C14S01225	143	2208	937		5.00				
	HB 482	10.93	H4C18S01093	160	3208	919			8.15			
	HB 482	12.25	H4C18S01225	143	331	937			7.55			
	HB 682	11.40	H6C18S01140	154	4254	962			10.36			
	HB 682	11.40	H6C21S01140	154	7081	962				17.25		
	HB 882	10.85	H8C21S01085	161	10613	2252				27.16		
HB 882	10.85	H8C25S01085	161	13095	2252					33.51		
15:1	HB 382	14.18	H3C56S01418	123	1031	416	2.02					
	HB 482	14.68	H4C56S01468	119	1068	937	2.02					
	HB 382	14.18	H3C14S01418	123	1925	416		3.77				
	HB 382	15.64	H3C14S01564	112	1947	416		3.46				
	HB 482	14.68	H4C14S01468	119	2646	937		5.00				
	HB 382	14.18	H3C18S01418	123	1925	416			3.77			
	HB 482	14.68	H4C18S01468	119	3532	937			6.68			
	HB 682	13.59	H6C18S01359	129	5070	962			10.36			
	HB 682	14.74	H6C18S01474	119	5499	962			10.36			
	HB 682	13.59	H6C21S01359	129	7081	962				14.47		
	HB 682	14.74	H6C21S01474	119	7081	962				13.34		
	HB 882	14.63	H8C21S01463	120	12691	2954				24.09		
18:1	HB 382	17.33	H3C56S01733	101	1147	416	1.84					
	HB 482	17.55	H4C56S01755	100	1276	1142	2.02					
	HB 382	17.33	H3C14S01733	101	1947	416		3.12				
	HB 482	17.55	H4C14S01755	100	3071	1142		4.86				
	HB 482	16.17	H4C18S01617	108	3643	937			6.26			
	HB 482	17.55	H4C18S01755	100	3738	1142			5.91			
	HB 682	16.45	H6C18S01645	106	5892	962			9.95			
	HB 682	17.82	H6C21S01782	98	6136	1306			9.56			
	HB 682	16.45	H6C21S01645	106	7081	962				11.95		
	HB 882	17.27	H8C21S01727	101	13865	2954				22.29		
	HB 882	17.27	H8C25S01727	101	14870	2954					23.91	

Stock

Note: Footed, standard inch shaft diameter, A1 mounting position, clamp collar input, 1750 rpm input speed

NOMENCLATURE PAGE ILH-4	SELECTION GEARMOTOR PAGE ILH-78	DIMENSIONS PAGE ILH-118	THERMAL RATINGS PAGE ILH-335
----------------------------	------------------------------------	----------------------------	---------------------------------

ILH Footed Stock Part Numbers

HB Housing Stock (continued)

Ratio	Size	Exact Ratio	Part Number	Output RPM	Output Torque (in-lb)	Output OHL (lbf)	Mechanical Input HP (Max)					
							56C	140TC	180TC	210TC	250TC	280TC
20:1	HB 382	19.64	H3C56S01964	89	1183	546	1.67					
	HB 382	21.67	H3C56S02167	81	1210	546	1.55					
	HB 482	20.95	H4C56S02095	84	1482	1142	1.96					
	HB 382	19.64	H3C14S01964	89	1947	546		2.75				
	HB 382	21.67	H3C14S02167	81	1947	546		2.49				
	HB 482	20.95	H4C14S02095	84	3352	1142		4.44				
	HB 482	20.95	H4C18S02095	84	3954	1142			5.24			
	HB 682	20.20	H6C18S02020	87	6524	1306			8.97			
	HB 682	20.20	H6C21S02020	87	7081	1306				9.73		
	HB 882	18.72	H8C21S01872	93	14468	3437				21.46		
HB 882	20.81	H8C21S02081	84	14870	3437				19.84			
25:1	HB 382	24.50	H3C56S02450	71	1241	546	1.41					
	HB 382	24.50	H3C14S02450	71	1947	546		2.21				
	HB 482	23.07	H4C18S02307	76	3983	1142			4.79			
	HB 682	25.55	H6C18S02555	68	4014	1306		4.36				
	HB 682	25.55	H6C18S02555	68	7081	1306			7.70			
	HB 682	25.55	H6C21S02555	68	7081	1306				7.70		
	HB 882	22.61	H8C21S02261	77	14870	3437				18.26		
HB 882	25.01	H8C25S02501	70	14870	3437					16.51		
28:1	HB 382	27.97	H3C56S02797	63	1272	881	1.26					
	HB 482	26.53	H4C56S02653	66	1557	1142	1.63					
	HB 482	28.74	H4C56S02874	61	1580	1517	1.53					
	HB 382	27.97	H3C14S02797	63	1947	881		1.93				
	HB 482	26.53	H4C14S02653	66	3749	1142		3.92				
	HB 482	28.74	H4C14S02874	61	3905	1517		3.77				
	HB 482	26.53	H4C18S02653	66	3983	1142			4.17			
	HB 482	28.74	H4C18S02874	61	3983	1517			3.85			
	HB 682	28.25	H6C18S02825	62	7081	1940			6.96			
	HB 882	26.85	H8C18S02685	65	9257	3437			9.57			
HB 882	26.85	H8C21S02685	65	14870	3437				15.38			

Stock

Note: Footed, standard inch shaft diameter, A1 mounting position, clamp collar input, 1750 rpm input speed

NOMENCLATURE PAGE ILH-4	SELECTION GEARMOTOR PAGE ILH-78	DIMENSIONS PAGE ILH-118	THERMAL RATINGS PAGE ILH-335
----------------------------	------------------------------------	----------------------------	---------------------------------

ILH Footed Stock Part Numbers

HB Housing Stock (continued)

Ratio	Size	Exact Ratio	Part Number	Output RPM	Output Torque (in-lb)	Output OHL (lbf)	Mechanical Input HP (Max)					
							56C	140TC	180TC	210TC	250TC	280TC
30:1	HB 382	31.80	H3C56S03180	55	1299	881	1.13					
	HB 383	33.82	H3C56S03382	52	1947	881	1.60					
	HB 382	34.04	H3C56S03404	51	1313	881	1.07					
	HB 482	31.77	H4C56S03177	55	1607	1517	1.40					
	HB 382	31.80	H3C14S03180	55	1947	881		1.70				
	HB 482	31.77	H4C14S03177	55	3983	1517		3.48				
	HB 682	30.60	H6C14S03060	57	4346	1940		3.94				
	HB 682	34.49	H6C14S03449	51	4582	1940		3.69				
	HB 482	31.77	H4C18S03177	55	3983	1517			3.48			
	HB 682	30.60	H6C18S03060	57	7081	1940			6.43			
	HB 682	34.49	H6C18S03449	51	7081	1940			5.70			
	HB 882	31.32	H8C18S03132	56	9526	4471			8.45			
HB 882	31.32	H8C21S03132	56	14870	4471				13.18			
40:1	HB 382	39.24	H3C56S03924	45	1339	881	0.95					
	HB 383	39.28	H3C56S03928	45	1947	881	1.38					
	HB 482	37.06	H4C56S03706	47	1646	1517	1.23					
	HB 383	39.28	H3C14S03928	45	1947	881		1.38				
	HB 483	35.59	H4C14S03559	49	3983	1517		3.11				
	HB 482	37.06	H4C14S03706	47	2902	1517		2.98				
	HB 682	37.76	H6C14S03776	46	4773	1940		3.51				
	HB 683	37.80	H6C18S03780	46	7081	1940			5.20			
HB 882	37.27	H8C18S03727	47	9800	4471			7.30				

Stock

Note: Footed, standard inch shaft diameter, A1 mounting position, clamp collar input, 1750 rpm input speed

NOMENCLATURE PAGE ILH-4	SELECTION GEARMOTOR PAGE ILH-78	DIMENSIONS PAGE ILH-118	THERMAL RATINGS PAGE ILH-335
----------------------------	------------------------------------	----------------------------	---------------------------------

ILH Footed Stock Part Numbers

HB Housing Stock (continued)

Ratio	Size	Exact Ratio	Part Number	Output RPM	Output Torque (in-lb)	Output OHL (lbf)	Mechanical Input HP (Max)			
							56C	140TC	180TC	210TC
45:1	HB 383	42.53	H3C56S04253	41	1947	881	1.27			
	HB 482	41.26	H4C56S04126	42	1670	1517	1.12			
	HB 483	45.91	H4C56S04591	38	3338	1884	2.02			
	HB 482	41.26	H4C14S04126	42	3983	1517		2.68		
	HB 483	41.38	H4C14S04138	42	3983	1517		2.67		
	HB 483	45.91	H4C14S04591	38	3983	1884		2.41		
	HB 682	42.06	H6C14S04206	42	4977	1940		3.29		
	HB 682	42.06	H6C18S04206	42	7081	1940			4.67	
	HB 683	45.41	H6C18S04541	39	7081	2765			4.33	
HB 883	41.19	H8C18S04119	42	14870	4471			10.02		
50:1	HB 383	58.30	H3C56S05830	30	1947	1117	0.93			
	HB 483	55.92	H4C56S05592	31	3983	1884	1.98			
	HB 483	55.92	H4C14S05592	31	3983	1884		1.98		
	HB 682	48.09	H6C14S04809	36	5272	2765		3.04		
	HB 683	53.47	H6C14S05347	33	7081	2765		3.68		
	HB 883	57.93	H8C18S05793	30	14870	4856			7.13	
60:1	HB 483	61.14	H4C56S06114	29	3983	1884	1.81			
	HB 683	59.91	H6C14S05991	29	7081	2765		3.28		
	HB 1083	60.90	H10C21S06090	29	27438	6261				12.51
75:1	HB 483	73.99	H4C56S07399	24	3983	1986	1.49			
	HB 683	73.30	H6C14S07330	24	7081	3091		2.68		
	HB 883	74.88	H8C14S07488	23	13493	4856		5.00		
125:1	HB 483	102.52	H4C56S10252	17	3983	1986	1.08			
	HB 483	132.34	H4C56S13234	13	3983	1986	0.84			
	HB 683	126.41	H6C56S12641	14	7081	3170	1.56			
	HB 883	129.79	H8C18S12979	13	14870	4856			3.18	

Stock

Note: Footed, standard inch shaft diameter, A1 mounting position, clamp collar input, 1750 rpm input speed

NOMENCLATURE PAGE ILH-4	SELECTION GEARMOTOR PAGE ILH-78	DIMENSIONS PAGE ILH-118	THERMAL RATINGS PAGE ILH-335
----------------------------	------------------------------------	----------------------------	---------------------------------

ILH Footed Non-Stock Part Numbers HB Housing - Non-Stock ◆

Ratio	Size	Exact Ratio	Part Number	Output RPM	Output Torque (in-lb)	Output OHL (lbf)	Mechanical Input HP (Max)			
							180TC	210TC	250TC	280TC
5:1	HB 1282	4.83	H12C25S00483	362	7901	4392			45.42	
	HB 1282	4.83	H12C28S00483	362	16092	4392				92.51
	HB 1682	4.93	H16C28S00493	355	16431	17770				92.54
7.5:1	HB 1082	6.41	H10C21S00641	273	7555	3312		32.73		
	HB 1082	6.41	H10C25S00641	273	10492	3312			45.45	
	HB 1082	6.41	H10C28S00641	273	15573	3312				67.46
	HB 1282	7.88	H12C25S00788	222	12910	4886			45.49	
	HB 1282	7.88	H12C28S00788	222	26294	4886				92.65
	HB 1482	6.43	H14C25S00643	272	10526	5381			45.45	
	HB 1482	6.43	H14C28S00643	272	21439	5381				92.58
10:1	HB 1082	9.62	H10C21S00962	182	11348	3705		32.75		
	HB 1082	9.62	H10C25S00962	182	15759	3705			45.49	
	HB 1082	9.62	H10C28S00962	182	27438	3705				79.20
	HB 1282	10.78	H12C21S01078	162	12009	4886		30.93		
	HB 1282	10.78	H12C25S01078	162	17649	4886			45.46	
	HB 1282	10.78	H12C28S01078	162	35945	4886				92.59
	HB 1482	11.48	H14C25S01148	152	18797	6751			45.46	
	HB 1482	11.48	H14C28S01148	152	38284	6751				92.60
	HB 1682	10.34	H16C25S01034	169	16925	17770			45.45	
	HB 1682	10.34	H16C28S01034	169	34470	17770				92.56
15:1	HB 1082	14.63	H10C21S01463	120	17248	4037		32.74		
	HB 1082	14.63	H10C25S01463	120	22945	4037			43.55	
	HB 1082	14.63	H10C28S01463	120	27438	4037				52.08
	HB 1282	16.12	H12C21S01612	109	15848	5306		27.30		
	HB 1282	16.12	H12C25S01612	109	26398	5306			45.47	
	HB 1282	16.12	H12C28S01612	109	44197	5306				76.13
	HB 1682	15.44	H16C21S01544	113	18115	17770		32.58		
	HB 1682	15.44	H16C25S01544	113	25284	17770			45.47	
	HB 1682	15.44	H16C28S01544	113	51496	17770				92.61

◆ - Build to Order

Notes: Footed, standard inch shaft diameter, A1 mounting position, clamp collar input, 1750 rpm input speed.

NOMENCLATURE PAGE ILH-4	SELECTION GEARMOTOR PAGE ILH-78	DIMENSIONS PAGE ILH-118	THERMAL RATINGS PAGE ILH-335
----------------------------	------------------------------------	----------------------------	---------------------------------

ILH Footed Non-Stock Part Numbers HB Housing - Non-Stock ♦ (continued)

Ratio	Size	Exact Ratio	Part Number	Output RPM	Output Torque (in-lb)	Output OHL (lbf)	Mechanical Input HP (Max)			
							180TC	210TC	250TC	280TC
18:1	HB 1082	17.19	H10C21S01719	102	19720	4037		31.85		
	HB 1082	17.19	H10C25S01719	102	25015	4037			40.41	
	HB 1082	17.19	H10C28S01719	102	27438	4037				44.32
	HB 1282	18.64	H12C21S01864	94	17240	5578		25.68		
	HB 1282	18.64	H12C25S01864	94	30520	5578			45.46	
	HB 1282	18.64	H12C28S01864	94	45140	5578				67.24
	HB 1482	17.09	H14C21S01709	102	19058	6751		30.96		
	HB 1482	17.09	H14C25S01709	102	27987	6751			45.47	
	HB 1482	17.09	H14C28S01709	102	57000	6751				92.61
	HB 1682	19.3	H16C21S01930	91	21489	17770		30.92		
HB 1682	19.3	H16C25S01930	91	31605	17770			45.47		
HB 1682	19.3	H16C28S01930	91	64369	17770				92.61	
20:1	HB 1082	19.48	H10C21S01948	90	21426	4288		30.54		
	HB 1082	19.48	H10C25S01948	90	26711	4288			38.07	
	HB 1082	19.48	H10C28S01948	90	27438	4288				39.11
	HB 1282	21.41	H12C21S02141	82	18566	5578		24.08		
	HB 1282	21.41	H12C25S02141	82	33436	5578			43.36	
	HB 1282	21.41	H12C28S02141	82	45140	5578				58.54
	HB 1482	20.21	H14C21S02021	87	21422	7372		29.43		
	HB 1482	20.21	H14C25S02021	87	33094	7372			45.47	
HB 1482	20.21	H14C28S02021	87	67402	7372				92.60	
25:1	HB 1082	24.94	H10C21S02494	70	24992	4288		27.82		
	HB 1082	24.94	H10C25S02494	70	27438	4288			30.55	
	HB 1082	24.94	H10C28S02494	70	27438	4288				30.55
	HB 1282	25.05	H12C21S02505	70	20075	5578		22.25		
	HB 1282	25.05	H12C25S02505	70	34705	5578			38.47	
	HB 1282	25.05	H12C28S02505	70	45140	5578				50.04
	HB 1482	26.49	H14C21S02649	66	25275	7372		26.49		
	HB 1482	26.49	H14C25S02649	66	43373	7372			45.46	
HB 1482	26.49	H14C28S02649	66	70808	7372				74.22	

♦ - Build to Order

Notes: Footed, standard inch shaft diameter, A1 mounting position, clamp collar input, 1750 rpm input speed.

ILH Footed Non-Stock Part Numbers HB Housing - Non-Stock ♦ (continued)

Ratio	Size	Exact Ratio	Part Number	Output RPM	Output Torque (in-lb)	Output OHL (lbf)	Mechanical Input HP (Max)			
							180TC	210TC	250TC	280TC
30:1	HB 1082	32.81	H10C21S03281	53	27437	5138		23.22		
	HB 1082	32.81	H10C25S03281	53	27437	5138			23.22	
	HB 1282	30.28	H12C21S03028	58	22019	6464		20.19		
	HB 1282	30.28	H12C25S03028	58	36083	6464			33.09	
	HB 1282	30.28	H12C28S03028	58	45140	6464				41.39
	HB 1482	30.28	H14C21S03028	58	27167	7911		24.91		
	HB 1482	30.28	H14C25S03028	58	49095	7911			45.02	
	HB 1483	34.15	H14C25S03415	51	55921	7911			45.47	
	HB 1482	30.28	H14C28S03028	58	70808	7911				64.93
	HB 1483	34.15	H14C28S03415	51	70808	7911				57.57
	HB 1682	29.27	H16C21S02927	60	27982	17770		26.54		
	HB 1682	29.27	H16C25S02927	60	47934	17770			45.47	
HB 1682	29.27	H16C28S02927	60	79444	17770				75.36	
40:1	HB 1082	37.79	H10C21S03779	46	27438	5138		20.16		
	HB 1082	40.82	H10C21S04082	43	27438	5138		18.66		
	HB 1283	37.57	H12C21S03757	47	43930	6464		32.47		
	HB 1282	40.96	H12C21S04096	43	26479	6464		17.95		
	HB 1283	37.57	H12C25S03757	47	43930	6464			32.47	
	HB 1283	37.57	H12C28S03757	47	43930	6464				32.47
	HB 1683	40.99	H16C25S04099	43	67123	17770			45.47	
	HB 1682	39.45	H16C28S03945	44	84253	17770				59.30
HB 1683	40.99	H16C28S04099	43	123914	17770				83.94	
50:1	HB 1083	51.97	H10C18S05197	34	19387	6261	10.36			
	HB 1082	44.31	H10C21S04431	39	27438	6261		17.19		
	HB 1083	51.97	H10C21S05197	34	27438	6261		14.66		
	HB 1083	51.97	H10C25S05197	34	27438	6261			14.66	
	HB 1283	57.56	H12C18S05756	30	21471	7974	10.36			
	HB 1283	57.56	H12C21S05756	30	45140	7974		21.78		
	HB 1283	57.56	H12C25S05756	30	45140	7974			21.78	
	HB 1283	57.56	H12C28S05756	30	45140	7974				21.78
	HB 1483	45.44	H14C25S04544	39	70808	9679			43.27	
	HB 1483	45.44	H14C28S04544	39	70808	9679				43.27
	HB 1683	53.56	H16C25S05356	33	87704	17770			45.47	
HB 1683	53.56	H16C28S05356	33	123914	17770				64.24	

♦ - Build to Order

Notes: Footed, standard inch shaft diameter, A1 mounting position, clamp collar input, 1750 rpm input speed.

NOMENCLATURE PAGE ILH-4	SELECTION GEARMOTOR PAGE ILH-78	DIMENSIONS PAGE ILH-118	THERMAL RATINGS PAGE ILH-335
----------------------------	------------------------------------	----------------------------	---------------------------------

ILH Footed Non-Stock Part Numbers HB Housing - Non-Stock ♦ (continued)

Ratio	Size	Exact Ratio	Part Number	Output RPM	Output Torque (in-lb)	Output OHL (lbf)	Mechanical Input HP (Max)			
							180TC	210TC	250TC	280TC
60:1	HB 1083	60.9	H10C18S06090	29	22716	6261	10.36			
	HB 1083	60.9	H10C21S06090	29	27438	6261		12.51		
	HB 1083	60.9	H10C25S06090	29	27438	6261			12.51	
	HB 1283	66.43	H12C18S06643	26	24780	7974	10.36			
	HB 1283	66.43	H12C21S06643	26	45140	7974		18.87		
	HB 1283	66.43	H12C25S06643	26	45140	7974			18.87	
	HB 1483	62.12	H14C21S06212	28	70808	9679		31.65		
	HB 1483	62.12	H14C25S06212	28	70808	9679			31.65	
75:1	HB 1483	62.12	H14C28S06212	28	70808	9679				31.65
	HB 1083	82.14	H10C18S08214	21	27438	7343	9.28			
	HB 1083	82.14	H10C21S08214	21	27438	7343		9.28		
	HB 1283	78.06	H12C18S07806	22	29117	8992	10.36			
	HB 1283	78.06	H12C21S07806	22	45140	8992		16.06		
	HB 1283	78.06	H12C25S07806	22	45140	8992			16.06	
	HB 1483	81.04	H14C18S08104	22	30229	11827	10.36			
	HB 1483	81.04	H14C21S08104	22	70808	11827		24.26		
	HB 1483	81.04	H14C25S08104	22	70808	11827			24.26	
	HB 1483	81.04	H14C28S08104	22	70808	11827				24.26
100:1	HB 1683	79.75	H16C21S07975	22	88919	17770		30.96		
	HB 1683	79.75	H16C25S07975	22	123914	17770			43.14	
	HB 1683	79.75	H16C28S07975	22	123914	17770				43.14
	HB 1083	96.94	H10C18S09694	18	27438	7343	7.86			
	HB 1083	96.94	H10C21S09694	18	27438	7343		7.86		
	HB 1283	103.8	H12C18S10380	17	38719	8992	10.36			
	HB 1283	103.8	H12C21S10380	17	45140	8992		12.08		
	HB 1283	103.8	H12C25S10380	17	45140	8992			12.08	
125:1	HB 1483	107.42	H14C21S10742	16	70808	12725		18.30		
	HB 1483	107.42	H14C25S10742	16	70808	12725			18.30	
	HB 1683	107.48	H16C21S10748	16	108672	17770		28.07		
	HB 1683	107.48	H16C25S10748	16	123914	17770			32.01	
	HB 1683	107.48	H16C28S10748	16	123914	17770				32.01
	HB 1083	126.9	H10C18S12690	14	27438	7343	6.00			
	HB 1083	126.9	H10C21S12690	14	27438	7343		6.00		
	HB 1283	123.53	H12C18S12353	14	45140	8992	10.15			
125:1	HB 1283	123.53	H12C21S12353	14	45140	8992		10.15		
	HB 1483	123.27	H14C18S12327	14	46019	12725	10.36			
	HB 1483	123.37	H14C21S12337	14	70808	12725		15.94		
	HB 1483	123.37	H14C25S12337	14	70808	12725			15.94	

♦ - Build to Order

Notes: Footed, standard inch shaft diameter, A1 mounting position, clamp collar input, 1750 rpm input speed.

NOMENCLATURE PAGE ILH-4	SELECTION GEARMOTOR PAGE ILH-78	DIMENSIONS PAGE ILH-118	THERMAL RATINGS PAGE ILH-335
----------------------------	------------------------------------	----------------------------	---------------------------------

ILH Footed Non-Stock Part Numbers HB Housing - Non-Stock ♦ (continued)

Ratio	Size	Exact Ratio	Part Number	Output RPM	Output Torque (in-lb)	Output OHL (lbf)	Mechanical Input HP (Max)			
							180TC	210TC	250TC	280TC
150:1	HB 1083	140.37	H10C18S14037	12	27438	7343	5.43			
	HB 1083	150.7	H10C18S15070	12	27438	7343	5.06			
	HB 1283	148.99	H12C18S14899	12	45140	8992	8.41			
	HB 1283	148.99	H12C21S14899	12	45140	8992		8.41		
	HB 1483	156.38	H14C18S15638	11	58330	12725	10.36			
	HB 1483	156.38	H14C21S15638	11	70808	12725		12.57		
	HB 1483	156.38	H14C25S15638	11	70808	12725			12.57	
	HB 1683	141.28	H16C21S14128	12	123914	17770		24.35		
	HB 1683	141.28	H16C25S14128	12	123914	17770			24.35	
175:1	HB 1083	175.78	H10C18S17578	10	27438	7343	4.33			
	HB 1283	185.36	H12C18S18536	9	45140	8992	6.76			
	HB 1283	185.36	H12C21S18536	9	45140	8992		6.76		
	HB 1683	163.72	H16C21S16372	11	123914	17770		21.02		
	HB 1683	163.72	H16C25S16372	11	123914	17770			21.02	
	HB 1683	163.72	H16C28S16372	11	123914	17770				21.02
200:1	HB 1083	191.21	H10C18S19121	9	27438	7343	3.98			
	HB 1283	219.72	H12C18S21972	8	45140	8992	5.70			
	HB 1483	209.76	H14C18S20976	8	68285	12725	9.04			
	HB 1483	209.76	H14C21S20976	8	70808	12725		9.37		
	HB 1683	210.49	H16C21S21049	8	123914	17770		16.35		
	HB 1683	210.49	H16C25S21049	8	123914	17770			16.35	
250:1	HB 1083	235.19	H10C18S23519	7	27438	7343	3.24			
	HB 1283	268.16	H12C18S26816	7	45140	8992	4.67			
	HB 1483	236.05	H14C18S23605	7	69568	12725	8.18			
	HB 1483	236.05	H14C21S23605	7	70808	12725		8.33		
	HB 1683	253.08	H16C21S25308	7	123914	17770		13.60		
	HB 1683	253.08	H16C25S25308	7	123914	17770			13.60	
325:1	HB 1483	336.11	H14C18S33611	5	70808	12725	5.85			
	HB 1683	313.41	H16C21S31341	6	123914	17770		10.98		

♦ - Build to Order

Notes: Footed, standard inch shaft diameter, A1 mounting position, clamp collar input, 1750 rpm input speed.

NOMENCLATURE PAGE ILH-4	SELECTION GEARMOTOR PAGE ILH-78	DIMENSIONS PAGE ILH-118	THERMAL RATINGS PAGE ILH-335
----------------------------	------------------------------------	----------------------------	---------------------------------

SELECTION



IN-LINE HELICAL INTEGRAL GEARMOTORS (ILH) - 1750 RPM

60 HZ

INPUT POWER (HP)	SPEED (RPM)	RATIO	OHL (LBF) (B)	OUTPUT TORQUE (LB-IN)	GEAR STAGE	SERVICE FACTOR (SF)	CATALOG NUMBER
0.25	1101	1.59	-	14	1	8.08	H_381GH71C4
	946	1.85	-	17	1	8.08	
	854	2.05	-	18	1	8.08	
	781	2.24	50	20	1	8.08	
	700	2.50	102	23	1	8.08	
	641	2.73	102	25	1	7.96	
	583	3.00	211	27	1	7.64	
	529	3.31	269	30	1	7.28	
	477	3.67	258	33	1	6.92	
	422	4.15	371	37	1	6.44	
	382	4.58	371	41	1	6.12	
	338	5.18	543	47	1	5.64	
	296	5.92	543	53	1	5.04	
	260	6.73	583	61	1	4.52	
	243	7.20	583	65	1	4.28	
	211	8.30	834	75	1	3.80	
	188	9.33	834	84	1	3.36	
	101	17.33	416	156	2	7.35	
	89	19.64	546	177	2	6.68	
	81	21.67	546	195	2	6.20	
	71	24.50	546	221	2	5.61	
	63	27.97	881	252	2	5.05	
	55	31.80	881	286	2	4.54	
	51	34.04	881	306	2	4.29	
	45	39.24	881	353	2	3.79	
	40	44.12	1117	397	2	3.42	
	57	30.74	881	277	3	6.88	H_383GH71C4
	52	33.82	881	304	3	6.38	
	45	39.28	881	354	3	5.50	
	41	42.53	881	383	3	5.08	
	36	48.10	1117	433	3	4.50	
	33	52.86	1117	476	3	4.09	
	30	58.30	1117	525	3	3.71	
	27	64.58	1117	581	3	3.35	
	24	71.91	1117	647	3	3.01	
	21	82.52	1117	743	3	2.62	
	19	91.34	1117	822	3	2.37	
	17	103.89	1117	935	3	2.08	
	15	118.55	1117	1067	3	1.82	
	13	133.57	1117	1203	3	1.62	
	12	149.26	1117	1344	3	1.45	
	10	170.24	1117	1533	3	1.27	
	9	191.75	1117	1726	3	1.13	
	726	2.41	195	22	1	8.08	H_481GH71C4
648	2.70	161	24	1	8.08		

(B) - See Footnotes page on inside back cover

NOMENCLATURE PAGE ILH-4	DIMENSIONS PAGE ILH-130	THERMAL RATINGS PAGE ILH-335	MOTOR INFORMATION PAGE ENGINEERING-14
----------------------------	----------------------------	---------------------------------	--

IN-LINE HELICAL INTEGRAL GEARMOTORS (ILH) - 1750 RPM

60 HZ

INPUT POWER (HP)	SPEED (RPM)	RATIO	OHL (LBF) (B)	OUTPUT TORQUE (LB-IN)	GEAR STAGE	SERVICE FACTOR (SF)	CATALOG NUMBER
0.25 (CONT.)	593	2.95	124	27	1	8.08	H_481GH71C4
	540	3.24	106	29	1	8.08	
	492	3.56	99	32	1	8.08	
	452	3.87	99	35	1	8.08	
	416	4.21	191	38	1	8.08	
	379	4.62	191	42	1	7.84	
	344	5.08	303	46	1	7.28	
	299	5.85	303	53	1	6.52	
	276	6.33	627	57	1	6.12	
	250	7.00	627	63	1	5.60	
	214	8.17	711	74	1	4.92	
	193	9.09	711	82	1	4.48	
	175	10.00	826	90	1	4.12	
	155	11.30	826	102	1	3.72	
		66	26.53	1142	239	2	
61		28.74	1517	259	2	6.10	
55		31.77	1517	286	2	5.62	
47		37.06	1517	334	2	4.93	
42		41.26	1517	371	2	4.50	
39		45.38	1884	409	2	4.13	
	34	51.28	1884	462	2	3.71	H_483GH71C4
	31	55.92	1884	503	3	7.92	
	29	61.14	1884	550	3	7.24	
	26	67.10	1884	604	3	6.59	
	24	73.99	1986	666	3	5.98	
	21	82.02	1986	738	3	5.40	
	19	92.91	1986	837	3	4.76	
	17	102.52	1986	923	3	4.32	
	15	115.91	1986	1044	3	3.82	
	13	132.34	1986	1192	3	3.34	
	12	150.48	1986	1355	3	2.94	
	11	161.05	1986	1450	3	2.75	H_682GH71C4
	9	185.66	1986	1672	3	2.38	
	8	208.77	1986	1880	3	2.12	
	51	34.49	1940	310	2	6.80	
	46	37.76	1940	340	2	6.31	H_683GH71C4
	42	42.06	1940	379	2	5.75	
	36	48.09	2765	433	2	5.13	
	17	104.80	3091	944	3	7.50	H_683GH71C4
	15	114.78	3170	1033	3	6.85	
	14	126.41	3170	1138	3	6.22	
	12	145.38	3170	1309	3	5.41	
	11	157.50	3170	1418	3	4.99	
	10	174.08	3170	1567	3	4.52	
9	203.09	3170	1829	3	3.87		

(B) - See Footnotes page on inside back cover

NOMENCLATURE PAGE ILH-4	DIMENSIONS PAGE ILH-170	THERMAL RATINGS PAGE ILH-335	MOTOR INFORMATION PAGE ENGINEERING-14
----------------------------	----------------------------	---------------------------------	--

QUANTIS
QUANTIS GOLD
ILH
RHB
MSM

IN-LINE HELICAL INTEGRAL GEARMOTORS (ILH) - 1750 RPM

60 HZ

INPUT POWER (HP)	SPEED (RPM)	RATIO	OHL (LBF) (B)	OUTPUT TORQUE (LB-IN)	GEAR STAGE	SERVICE FACTOR (SF)	CATALOG NUMBER	
0.25 (CONT.)	8	226.07	3170	2035	3	3.48	H_683GH71C4	
	7	248.68	3170	2239	3	3.16		
	6	281.01	3170	2530	3	2.80		
	0.25 (CONT.)	10	175.18	4856	1577	3	5.83	H_883GH71C4
		9	191.80	4856	1727	3	5.40	
		8	213.64	4856	1923	3	4.92	
		7	244.29	4856	2199	3	4.38	
		6	270.90	4856	2439	3	3.99	
6		300.41	4856	2705	3	3.64		
0.33	1101	1.59	-	19	1	6.12	H_381GH71D4	
	946	1.85	-	22	1	6.12		
	854	2.05	-	24	1	6.12		
	781	2.24	50	27	1	6.12		
	700	2.50	102	30	1	6.12		
	641	2.73	102	32	1	6.03		
	583	3.00	211	36	1	5.79		
	529	3.31	269	39	1	5.52		
	477	3.67	258	44	1	5.24		
	422	4.15	371	49	1	4.88		
	382	4.58	371	54	1	4.64		
	338	5.18	543	62	1	4.27		
	296	5.92	543	70	1	3.82		
	260	6.73	583	80	1	3.42		
	243	7.20	583	86	1	3.24		
	211	8.30	834	99	1	2.88		
	188	9.33	834	111	1	2.55		
	0.33	367	4.77	518	57	2		6.09
		315	5.55	518	66	2	6.11	
		284	6.16	518	73	2	6.13	
		261	6.71	518	80	2	6.09	
		233	7.50	279	89	2	6.13	
		233	7.52	279	89	2	6.14	
		200	8.75	279	104	2	6.11	
		180	9.70	279	115	2	6.13	
		166	10.57	279	126	2	6.10	
		148	11.82	416	140	2	6.14	
		135	12.92	416	154	2	6.10	
123		14.18	416	169	2	6.10		
112		15.64	416	186	2	6.00		
101		17.33	416	206	2	5.57		
89		19.64	546	233	2	5.08		
81		21.67	546	258	2	4.69		
71		24.50	546	291	2	4.26		
63		27.97	881	332	2	3.83		
55	31.80	881	378	2	3.44			

(B) - See Footnotes page on inside back cover

NOMENCLATURE PAGE ILH-4	DIMENSIONS PAGE ILH-212	THERMAL RATINGS PAGE ILH-335	MOTOR INFORMATION PAGE ENGINEERING-14
----------------------------	----------------------------	---------------------------------	--

IN-LINE HELICAL INTEGRAL GEARMOTORS (ILH) - 1750 RPM

60 HZ

INPUT POWER (HP)	SPEED (RPM)	RATIO	OHL (LBF) (B)	OUTPUT TORQUE (LB-IN)	GEAR STAGE	SERVICE FACTOR (SF)	CATALOG NUMBER
0.33 (CONT.)	51	34.04	881	405	2	3.24	H_382GH71D4
	45	39.24	881	466	2	2.87	
	40	44.12	1117	524	2	2.59	
	57	30.74	881	365	3	5.22	H_383GH71D4
	52	33.82	881	402	3	4.84	
	45	39.28	881	467	3	4.17	
	41	42.53	881	505	3	3.86	
	36	48.10	1117	572	3	3.40	
	33	52.86	1117	628	3	3.10	
	30	58.30	1117	693	3	2.81	
	27	64.58	1117	768	3	2.54	
	24	71.91	1117	855	3	2.28	
	21	82.52	1117	981	3	1.98	
	19	91.34	1117	1086	3	1.79	
	17	103.89	1117	1235	3	1.58	
	15	118.55	1117	1409	3	1.38	
	13	133.57	1117	1587	3	1.23	
	12	149.26	1117	1774	3	1.10	
	726	2.41	195	29	1	6.12	H_481GH71D4
	648	2.70	161	32	1	6.12	
	593	2.95	124	35	1	6.12	
	540	3.24	106	39	1	6.12	
	492	3.56	99	42	1	6.12	
	452	3.87	99	46	1	6.12	
	416	4.21	191	50	1	6.12	
	379	4.62	191	55	1	5.94	
	344	5.08	303	60	1	5.52	
	299	5.85	303	70	1	4.94	
	276	6.33	627	75	1	4.64	
	250	7.00	627	83	1	4.24	
214	8.17	711	97	1	3.73		
193	9.09	711	108	1	3.39		
175	10.00	826	119	1	3.12		
155	11.30	826	134	1	2.82		
258	6.79	904	81	2	6.09	H_482GH71D4	
160	10.93	937	130	2	6.11		
143	12.25	937	146	2	6.10		
131	13.38	937	159	2	6.12		
119	14.68	937	175	2	6.14		
108	16.17	937	192	2	6.12		
100	17.55	1142	209	2	6.10		
91	19.13	1142	227	2	6.13		
84	20.95	1142	249	2	5.95		
76	23.07	1142	274	2	5.53		
66	26.53	1142	315	2	4.94		

(B) - See Footnotes page on inside back cover

NOMENCLATURE PAGE ILH-4	DIMENSIONS PAGE ILH-132	THERMAL RATINGS PAGE ILH-335	MOTOR INFORMATION PAGE ENGINEERING-14
----------------------------	----------------------------	---------------------------------	--

IN-LINE HELICAL INTEGRAL GEARMOTORS (ILH) - 1750 RPM

60 HZ

INPUT POWER (HP)	SPEED (RPM)	RATIO	OHL (LBF) (B)	OUTPUT TORQUE (LB-IN)	GEAR STAGE	SERVICE FACTOR (SF)	CATALOG NUMBER
0.33 (CONT.)	61	28.74	1517	342	2	4.62	H_482GH71D4
	55	31.77	1517	378	2	4.25	
	47	37.06	1517	440	2	3.74	
	42	41.26	1517	490	2	3.41	
	39	45.38	1884	539	2	3.13	
	34	51.28	1884	610	2	2.81	
	49	35.59	1517	423	3	6.12	H_483GH71D4
	42	41.38	1517	492	3	6.12	
	38	45.91	1884	546	3	6.11	
	35	50.00	1884	594	3	6.12	
	31	55.92	1884	665	3	5.99	
	29	61.14	1884	727	3	5.48	
	26	67.10	1884	798	3	5.00	
	24	73.99	1986	879	3	4.53	
	21	82.02	1986	975	3	4.09	
	19	92.91	1986	1104	3	3.61	
	17	102.52	1986	1218	3	3.27	
	15	115.91	1986	1378	3	2.89	
	13	132.34	1986	1573	3	2.53	
	12	150.48	1986	1788	3	2.23	
	11	161.05	1986	1914	3	2.08	
	9	185.66	1986	2206	3	1.80	
	8	208.77	1986	2481	3	1.61	
	119	14.74	962	175	2	6.12	H_682GH71D4
	106	16.45	962	196	2	6.10	
	98	17.82	1306	212	2	6.11	
	87	20.20	1306	240	2	6.12	
	80	21.76	1306	259	2	6.11	
	74	23.53	1306	280	2	6.11	
	68	25.55	1306	304	2	6.11	
	62	28.25	1940	336	2	6.07	
	57	30.60	1940	364	2	5.69	
	51	34.49	1940	410	2	5.16	
	46	37.76	1940	449	2	4.78	
	42	42.06	1940	500	2	4.36	
	36	48.09	2765	572	2	3.88	
29	59.91	2765	712	3	6.12	H_683GH71D4	
26	67.14	2765	798	3	6.12		
24	73.30	3091	871	3	6.12		
22	80.46	3091	956	3	6.12		
20	88.59	3091	1053	3	6.12		
18	96.16	3091	1143	3	6.12		
17	104.80	3091	1246	3	5.68		
15	114.78	3170	1364	3	5.19		
14	126.41	3170	1502	3	4.71		

(B) - See Footnotes page on inside back cover

NOMENCLATURE PAGE ILH-4	DIMENSIONS PAGE ILH-172	THERMAL RATINGS PAGE ILH-335	MOTOR INFORMATION PAGE ENGINEERING-14
----------------------------	----------------------------	---------------------------------	--

IN-LINE HELICAL INTEGRAL GEARMOTORS (ILH) - 1750 RPM

60 HZ

INPUT POWER (HP)	SPEED (RPM)	RATIO	OHL (LBF) (B)	OUTPUT TORQUE (LB-IN)	GEAR STAGE	SERVICE FACTOR (SF)	CATALOG NUMBER
0.33 (CONT.)	12	145.38	3170	1728	3	4.10	H_683GH71D4
	11	157.50	3170	1872	3	3.78	
	10	174.08	3170	2069	3	3.42	
	9	203.09	3170	2414	3	2.93	
	8	226.07	3170	2687	3	2.64	
	7	248.68	3170	2956	3	2.40	
	6	281.01	3170	3340	3	2.12	
	23	74.88	4856	890	3	6.12	
	21	83.58	4856	993	3	6.12	
	19	90.53	4856	1076	3	6.12	
	17	102.61	4856	1219	3	6.12	
	16	110.54	4856	1314	3	6.12	
	15	119.52	4856	1420	3	6.02	
	13	129.79	4856	1542	3	5.64	
	12	143.50	4856	1705	3	5.21	
	11	155.46	4856	1848	3	4.87	
	10	175.18	4856	2082	3	4.41	
	9	191.80	4856	2279	3	4.09	
	8	213.64	4856	2539	3	3.73	
	7	244.29	4856	2903	3	3.31	
6	270.90	4856	3220	3	3.02		
6	300.41	4856	3570	3	2.76		
0.5	1101	1.59	-	29	1	4.04	H_381GH71E4
	946	1.85	-	33	1	4.04	
	854	2.05	-	37	1	4.04	
	781	2.24	50	40	1	4.04	
	700	2.50	102	45	1	4.04	
	641	2.73	102	49	1	3.98	
	583	3.00	211	54	1	3.82	
	529	3.31	269	60	1	3.64	
	477	3.67	258	66	1	3.46	
	422	4.15	371	75	1	3.22	
	382	4.58	371	82	1	3.06	
	338	5.18	543	93	1	2.82	
	296	5.92	543	107	1	2.52	
	260	6.73	583	121	1	2.26	
	243	7.20	583	130	1	2.14	
	211	8.30	834	149	1	1.90	
	188	9.33	834	168	1	1.68	
	367	4.77	518	86	2	4.03	H_382GH71E4
	315	5.55	518	100	2	4.04	
	284	6.16	518	111	2	4.03	
261	6.71	518	121	2	4.03		
233	7.50	279	135	2	4.04		
233	7.52	279	135	2	4.05		

(B) - See Footnotes page on inside back cover

NOMENCLATURE PAGE ILH-4	DIMENSIONS PAGE ILH-212	THERMAL RATINGS PAGE ILH-335	MOTOR INFORMATION PAGE ENGINEERING-14
----------------------------	----------------------------	---------------------------------	--

SELECTION



IN-LINE HELICAL INTEGRAL GEARMOTORS (ILH) - 1750 RPM

60 HZ

INPUT POWER (HP)	SPEED (RPM)	RATIO	OHL (LBF) (B)	OUTPUT TORQUE (LB-IN)	GEAR STAGE	SERVICE FACTOR (SF)	CATALOG NUMBER	
0.5 (CONT.)	200	8.75	279	157	2	4.02	H_382GH71E4	
	180	9.70	279	175	2	4.03		
	166	10.57	279	190	2	4.04		
	148	11.82	416	213	2	4.03		
	135	12.92	416	233	2	4.03		
	123	14.18	416	255	2	4.04		
	112	15.64	416	282	2	3.96		
	101	17.33	416	312	2	3.68		
	89	19.64	546	354	2	3.34		
	81	21.67	546	390	2	3.10		
	71	24.50	546	441	2	2.81		
	63	27.97	881	504	2	2.52		
	55	31.80	881	573	2	2.27		
	51	34.04	881	613	2	2.14		
	45	39.24	881	707	2	1.89		
	40	44.12	1117	794	2	1.71		
	57	30.74	881	554	3	3.44		H_383GH71E4
	52	33.82	881	609	3	3.20		
	45	39.28	881	707	3	2.75		
	41	42.53	881	766	3	2.54		
	36	48.10	1117	866	3	2.25		
	33	52.86	1117	952	3	2.05		
	30	58.30	1117	1050	3	1.85		
	27	64.58	1117	1163	3	1.67		
	24	71.91	1117	1295	3	1.50		
	21	82.52	1117	1486	3	1.31		
	19	91.34	1117	1645	3	1.18		
	17	103.89	1117	1871	3	1.04		
	726	2.41	195	43	1	4.04	H_481GH71E4	
	648	2.70	161	49	1	4.04		
	593	2.95	124	53	1	4.04		
	540	3.24	106	58	1	4.04		
	492	3.56	99	64	1	4.04		
	452	3.87	99	70	1	4.04		
	416	4.21	191	76	1	4.04		
	379	4.62	191	83	1	3.92		
	344	5.08	303	91	1	3.64		
	299	5.85	303	105	1	3.26		
	276	6.33	627	114	1	3.06		
	250	7.00	627	126	1	2.80		
214	8.17	711	147	1	2.46			
193	9.09	711	164	1	2.24			
175	10.00	826	180	1	2.06			
155	11.30	826	203	1	1.86			
258	6.79	904	122	2	4.05	H_482GH71E4		

(B) - See Footnotes page on inside back cover

NOMENCLATURE PAGE ILH-4	DIMENSIONS PAGE ILH-132	THERMAL RATINGS PAGE ILH-335	MOTOR INFORMATION PAGE ENGINEERING-14
----------------------------	----------------------------	---------------------------------	--

IN-LINE HELICAL INTEGRAL GEARMOTORS (ILH) - 1750 RPM

60 HZ

INPUT POWER (HP)	SPEED (RPM)	RATIO	OHL (LBF) (B)	OUTPUT TORQUE (LB-IN)	GEAR STAGE	SERVICE FACTOR (SF)	CATALOG NUMBER
0.5 (CONT.)	160	10.93	937	197	2	4.04	H_482GH71E4
	143	12.25	937	221	2	4.03	
	131	13.38	937	241	2	4.04	
	119	14.68	937	264	2	4.04	
	108	16.17	937	291	2	4.04	
	100	17.55	1142	316	2	4.04	
	91	19.13	1142	344	2	4.04	
	84	20.95	1142	377	2	3.93	
	76	23.07	1142	415	2	3.65	
	66	26.53	1142	478	2	3.26	
	61	28.74	1517	518	2	3.05	
	55	31.77	1517	572	2	2.81	
	47	37.06	1517	667	2	2.47	
	42	41.26	1517	743	2	2.25	
	39	45.38	1884	817	2	2.07	
	34	51.28	1884	923	2	1.86	
	49	35.59	1517	641	3	4.04	H_483GH71E4
	42	41.38	1517	745	3	4.04	
	38	45.91	1884	827	3	4.04	
	35	50.00	1884	900	3	4.04	
	31	55.92	1884	1007	3	3.96	
	29	61.14	1884	1101	3	3.62	
	26	67.10	1884	1208	3	3.30	
	24	73.99	1986	1332	3	2.99	
	21	82.02	1986	1477	3	2.70	
	19	92.91	1986	1673	3	2.38	
	17	102.52	1986	1846	3	2.16	
	15	115.91	1986	2087	3	1.91	
	13	132.34	1986	2383	3	1.67	
	12	150.48	1986	2710	3	1.47	
	11	161.05	1986	2900	3	1.37	
	9	185.66	1986	3343	3	1.19	
	8	208.77	1986	3759	3	1.06	
	119	14.74	962	265	2	4.04	H_682GH71E4
	106	16.45	962	296	2	4.04	
	98	17.82	1306	321	2	4.04	
87	20.20	1306	364	2	4.03		
80	21.76	1306	392	2	4.04		
74	23.53	1306	424	2	4.03		
68	25.55	1306	460	2	4.04		
62	28.25	1940	509	2	4.01		
57	30.60	1940	551	2	3.76		
51	34.49	1940	621	2	3.41		
46	37.76	1940	680	2	3.16		
42	42.06	1940	757	2	2.88		

(B) - See Footnotes page on inside back cover

NOMENCLATURE PAGE ILH-4	DIMENSIONS PAGE ILH-172	THERMAL RATINGS PAGE ILH-335	MOTOR INFORMATION PAGE ENGINEERING-14
----------------------------	----------------------------	---------------------------------	--

IN-LINE HELICAL INTEGRAL GEARMOTORS (ILH) - 1750 RPM

60 HZ

INPUT POWER (HP)	SPEED (RPM)	RATIO	OHL (LBF) (B)	OUTPUT TORQUE (LB-IN)	GEAR STAGE	SERVICE FACTOR (SF)	CATALOG NUMBER
0.5 (CONT.)	36	48.09	2765	866	2	2.56	H_682GH71E4
	29	59.91	2765	1079	3	4.04	H_683GH71E4
	26	67.14	2765	1209	3	4.04	
	24	73.30	3091	1320	3	4.04	
	22	80.46	3091	1449	3	4.04	
	20	88.59	3091	1595	3	4.04	
	18	96.16	3091	1732	3	4.04	
	17	104.80	3091	1887	3	3.75	
	15	114.78	3170	2067	3	3.43	
	14	126.41	3170	2276	3	3.11	
	12	145.38	3170	2618	3	2.70	
	11	157.50	3170	2836	3	2.50	
	10	174.08	3170	3135	3	2.26	
	9	203.09	3170	3657	3	1.94	
	8	226.07	3170	4071	3	1.74	
	7	248.68	3170	4478	3	1.58	
	6	281.01	3170	5060	3	1.40	
	23	74.88	4856	1348	3	4.04	H_883GH71E4
	21	83.58	4856	1505	3	4.04	
	19	90.53	4856	1630	3	4.04	
	17	102.61	4856	1848	3	4.04	
	16	110.54	4856	1990	3	4.04	
	15	119.52	4856	2152	3	3.97	
13	129.79	4856	2337	3	3.72		
12	143.50	4856	2584	3	3.43		
11	155.46	4856	2799	3	3.22		
10	175.18	4856	3154	3	2.91		
9	191.80	4856	3454	3	2.70		
8	213.64	4856	3847	3	2.46		
7	244.29	4856	4399	3	2.19		
6	270.90	4856	4878	3	2.00		
6	300.41	4856	5410	3	1.82		
0.75	1101	1.59	-	43	1	3.28	H_381GH80F4
	946	1.85	-	50	1	3.28	
	854	2.05	-	55	1	3.28	
	781	2.24	50	61	1	3.28	
	700	2.50	102	68	1	3.28	
	641	2.73	102	74	1	3.28	
	583	3.00	211	81	1	3.28	
	529	3.31	269	89	1	3.28	
	477	3.67	258	99	1	3.12	
	422	4.15	371	112	1	2.91	
	382	4.58	371	124	1	2.75	
	338	5.18	543	140	1	2.56	
	296	5.92	543	160	1	2.36	

(B) - See Footnotes page on inside back cover

NOMENCLATURE PAGE ILH-4	DIMENSIONS PAGE ILH-212	THERMAL RATINGS PAGE ILH-335	MOTOR INFORMATION PAGE ENGINEERING-14
----------------------------	----------------------------	---------------------------------	--

IN-LINE HELICAL INTEGRAL GEARMOTORS (ILH) - 1750 RPM

60 HZ

INPUT POWER (HP)	SPEED (RPM)	RATIO	OHL (LBF) (B)	OUTPUT TORQUE (LB-IN)	GEAR STAGE	SERVICE FACTOR (SF)	CATALOG NUMBER
0.75 (CONT.)	260	6.73	583	182	1	2.16	H_381GH80F4
	243	7.20	583	195	1	1.73	
	211	8.30	834	224	1	1.27	
	367	4.77	518	129	2	3.28	H_382GH80F4
	315	5.55	518	150	2	3.28	
	284	6.16	518	166	2	3.28	
	261	6.71	518	181	2	3.28	
	233	7.50	279	203	2	3.28	
	233	7.52	279	203	2	3.28	
	200	8.75	279	236	2	3.28	
	180	9.70	279	262	2	3.28	
	166	10.57	279	285	2	3.28	
	148	11.82	416	319	2	3.28	
	135	12.92	416	349	2	3.28	
	123	14.18	416	383	2	3.28	
	112	15.64	416	422	2	3.28	
	101	17.33	416	468	2	3.28	
	89	19.64	546	530	2	3.28	
	81	21.67	546	585	2	3.16	
	71	24.50	546	662	2	2.95	
	63	27.97	881	755	2	2.57	
	55	31.80	881	859	2	2.27	
	51	34.04	881	919	2	2.12	
	45	39.24	881	1060	2	1.84	
	57	30.74	881	830	3	2.29	H_383GH80F4
	52	33.82	881	913	3	2.13	
	45	39.28	881	1061	3	1.84	
	41	42.53	881	1149	3	1.69	
	36	48.10	1117	1299	3	1.50	
	33	52.86	1117	1428	3	1.36	
30	58.30	1117	1575	3	1.24		
27	64.58	1117	1744	3	1.12		
24	71.91	1117	1942	3	1.00		
1151	1.52	-	41	1	3.28	H_481GH80F4	
956	1.83	-	49	1	3.28		
814	2.15	190	58	1	3.28		
726	2.41	195	65	1	3.28		
648	2.70	161	73	1	3.28		
593	2.95	124	80	1	3.28		
540	3.24	106	88	1	3.28		
492	3.56	99	96	1	3.28		
452	3.87	99	105	1	3.28		
416	4.21	191	114	1	3.28		
379	4.62	191	125	1	3.28		
344	5.08	303	137	1	3.28		

(B) - See Footnotes page on inside back cover

NOMENCLATURE PAGE ILH-4	DIMENSIONS PAGE ILH-130	THERMAL RATINGS PAGE ILH-335	MOTOR INFORMATION PAGE ENGINEERING-14
----------------------------	----------------------------	---------------------------------	--

IN-LINE HELICAL INTEGRAL GEARMOTORS (ILH) - 1750 RPM

60 HZ

INPUT POWER (HP)	SPEED (RPM)	RATIO	OHL (LBF) (B)	OUTPUT TORQUE (LB-IN)	GEAR STAGE	SERVICE FACTOR (SF)	CATALOG NUMBER
0.75 (CONT.)	299	5.85	303	158	1	3.08	H_481GH80F4
	276	6.33	627	171	1	2.95	
	250	7.00	627	189	1	2.79	
	214	8.17	711	221	1	2.52	
	193	9.09	711	246	1	2.31	
	175	10.00	826	270	1	2.21	
	155	11.30	826	305	1	1.60	
	258	6.79	904	183	2	3.28	H_482GH80F4
	160	10.93	937	295	2	3.28	
	143	12.25	937	331	2	3.28	
	131	13.38	937	361	2	3.28	
	119	14.68	937	397	2	3.28	
	108	16.17	937	437	2	3.28	
	100	17.55	1142	474	2	3.28	
	91	19.13	1142	517	2	3.28	
	84	20.95	1142	566	2	3.28	
	76	23.07	1142	623	2	3.28	
	66	26.53	1142	717	2	3.28	
	61	28.74	1517	776	2	3.28	
	55	31.77	1517	858	2	3.20	
	47	37.06	1517	1001	2	2.89	
	42	41.26	1517	1114	2	2.69	
	39	45.38	1884	1226	2	2.55	
	34	51.28	1884	1385	2	2.49	
	49	35.59	1517	961	3	3.28	H_483GH80F4
	42	41.38	1517	1118	3	3.28	
	38	45.91	1884	1240	3	3.21	
	35	50.00	1884	1351	3	2.95	
	31	55.92	1884	1510	3	2.64	
	29	61.14	1884	1651	3	2.41	
	26	67.10	1884	1813	3	2.20	
	24	73.99	1986	1998	3	1.99	
	21	82.02	1986	2215	3	1.80	
	19	92.91	1986	2510	3	1.59	
17	102.52	1986	2769	3	1.44		
15	115.91	1986	3131	3	1.27		
13	132.34	1986	3575	3	1.11		
858	2.04	140	55	1	3.28	H_681GH80F4	
732	2.39	111	65	1	3.28		
614	2.85	52	77	1	3.28		
566	3.09	52	83	1	3.28		
507	3.45	68	93	1	3.28		
468	3.74	73	101	1	3.28		
413	4.24	160	115	1	3.28		
384	4.56	160	123	1	3.28		

(B) - See Footnotes page on inside back cover

NOMENCLATURE PAGE ILH-4	DIMENSIONS PAGE ILH-170	THERMAL RATINGS PAGE ILH-335	MOTOR INFORMATION PAGE ENGINEERING-14
----------------------------	----------------------------	---------------------------------	--

IN-LINE HELICAL INTEGRAL GEARMOTORS (ILH) - 1750 RPM

60 HZ

INPUT POWER (HP)	SPEED (RPM)	RATIO	OHL (LBF) (B)	OUTPUT TORQUE (LB-IN)	GEAR STAGE	SERVICE FACTOR (SF)	CATALOG NUMBER
0.75 (CONT.)	355	4.93	453	133	1	3.28	H_681GH80F4
	326	5.36	453	145	1	3.28	
	296	5.92	453	160	1	3.28	
	273	6.42	657	173	1	3.28	
	242	7.23	657	195	1	3.09	
	221	7.92	1078	214	1	2.92	
	198	8.82	1078	238	1	2.75	
	174	10.08	1366	272	1	2.51	
	157	11.18	1366	302	1	2.33	
	141	12.40	1366	335	1	2.04	
	346	5.06	1466	137	2	3.28	
	295	5.93	1466	160	2	3.28	
	180	9.73	1057	263	2	3.28	
	154	11.40	962	308	2	3.28	
	129	13.59	962	367	2	3.28	
	119	14.74	962	398	2	3.28	
	106	16.45	962	444	2	3.28	
	98	17.82	1306	481	2	3.28	
	87	20.20	1306	546	2	3.28	
	80	21.76	1306	588	2	3.28	
	74	23.53	1306	636	2	3.28	
	68	25.55	1306	690	2	3.28	
	62	28.25	1940	763	2	3.28	
	57	30.60	1940	827	2	3.28	
	51	34.49	1940	931	2	3.28	
	46	37.76	1940	1020	2	3.28	
	42	42.06	1940	1136	2	3.15	
	36	48.09	2765	1299	2	2.88	
	46	37.80	1940	1021	3	3.28	H_683GH80F4
	39	45.41	2765	1227	3	3.28	
	33	53.47	2765	1444	3	3.28	
	29	59.91	2765	1618	3	3.28	
	26	67.14	2765	1814	3	3.28	
	24	73.30	3091	1980	3	3.28	
	22	80.46	3091	2173	3	3.25	
	20	88.59	3091	2393	3	2.96	
18	96.16	3091	2597	3	2.72		
17	104.80	3091	2831	3	2.50		
15	114.78	3170	3100	3	2.28		
14	126.41	3170	3415	3	2.07		
12	145.38	3170	3927	3	1.80		
11	157.50	3170	4254	3	1.66		
10	174.08	3170	4702	3	1.51		
9	203.09	3170	5486	3	1.29		
8	226.07	3170	6106	3	1.16		

(B) - See Footnotes page on inside back cover

NOMENCLATURE PAGE ILH-4	DIMENSIONS PAGE ILH-210	THERMAL RATINGS PAGE ILH-335	MOTOR INFORMATION PAGE ENGINEERING-14
----------------------------	----------------------------	---------------------------------	--

QUANTIS
QUANTIS GOLD
ILH
RHB
MSM

IN-LINE HELICAL INTEGRAL GEARMOTORS (ILH) - 1750 RPM

60 HZ

INPUT POWER (HP)	SPEED (RPM)	RATIO	OHL (LBF) (B)	OUTPUT TORQUE (LB-IN)	GEAR STAGE	SERVICE FACTOR (SF)	CATALOG NUMBER
0.75 (CONT.)	7	248.68	3170	6717	3	1.05	H_683GH80F4
	35	49.42	4856	1335	3	3.28	H_883GH80F4
	30	57.93	4856	1565	3	3.28	
	25	69.05	4856	1865	3	3.28	
	23	74.88	4856	2023	3	3.28	
	21	83.58	4856	2258	3	3.28	
	19	90.53	4856	2445	3	3.28	
	17	102.61	4856	2772	3	3.28	
	16	110.54	4856	2986	3	3.28	
	15	119.52	4856	3228	3	3.28	
	13	129.79	4856	3506	3	3.28	
	12	143.50	4856	3876	3	3.28	
	11	155.46	4856	4199	3	3.28	
	10	175.18	4856	4732	3	3.15	
	9	191.80	4856	5181	3	2.87	
	8	213.64	4856	5770	3	2.57	
	7	244.29	4856	6598	3	2.25	
6	270.90	4856	7317	3	2.03		
6	300.41	4856	8114	3	1.83		
1	1101	1.59	-	57	1	2.46	H_381GH80G4
	946	1.85	-	67	1	2.46	
	854	2.05	-	74	1	2.46	
	781	2.24	50	81	1	2.46	
	700	2.50	102	90	1	2.46	
	641	2.73	102	98	1	2.46	
	583	3.00	211	108	1	2.46	
	529	3.31	269	119	1	2.46	
	477	3.67	258	132	1	2.34	
	422	4.15	371	149	1	2.18	
	382	4.58	371	165	1	2.06	
	338	5.18	543	187	1	1.92	
	296	5.92	543	213	1	1.77	
	260	6.73	583	242	1	1.62	
	243	7.20	583	259	1	1.30	
	367	4.77	518	172	2	2.46	H_382GH80G4
	315	5.55	518	200	2	2.46	
	284	6.16	518	222	2	2.46	
	261	6.71	518	242	2	2.45	
	233	7.50	279	270	2	2.46	
233	7.52	279	271	2	2.46		
200	8.75	279	315	2	2.46		
180	9.70	279	349	2	2.46		
166	10.57	279	381	2	2.45		
148	11.82	416	426	2	2.46		
135	12.92	416	465	2	2.46		

(B) - See Footnotes page on inside back cover

NOMENCLATURE PAGE ILH-4	DIMENSIONS PAGE ILH-212	THERMAL RATINGS PAGE ILH-335	MOTOR INFORMATION PAGE ENGINEERING-14
----------------------------	----------------------------	---------------------------------	--

IN-LINE HELICAL INTEGRAL GEARMOTORS (ILH) - 1750 RPM

60 HZ

INPUT POWER (HP)	SPEED (RPM)	RATIO	OHL (LBF) (B)	OUTPUT TORQUE (LB-IN)	GEAR STAGE	SERVICE FACTOR (SF)	CATALOG NUMBER	
1 (CONT.)	123	14.18	416	511	2	2.46	H_382GH80G4	
	112	15.64	416	563	2	2.46		
	101	17.33	416	624	2	2.46		
	89	19.64	546	707	2	2.46		
	81	21.67	546	780	2	2.37		
	71	24.50	546	882	2	2.21		
	63	27.97	881	1007	2	1.93		
	55	31.80	881	1145	2	1.70		
	51	34.04	881	1226	2	1.59		
	45	39.24	881	1413	2	1.38		
	57	30.74	881	1107	3	1.72		H_383GH80G4
	52	33.82	881	1218	3	1.60		
	45	39.28	881	1415	3	1.38		
	41	42.53	881	1532	3	1.27		
	36	48.10	1117	1732	3	1.12		
	33	52.86	1117	1904	3	1.02		
	1151	1.52	-	-	55	1	2.46	H_481GH80G4
	956	1.83	-	-	66	1	2.46	
	814	2.15	190	77	77	1	2.46	
	726	2.41	195	87	87	1	2.46	
	648	2.70	161	97	97	1	2.46	
	593	2.95	124	106	106	1	2.46	
	540	3.24	106	117	117	1	2.46	
	492	3.56	99	128	128	1	2.46	
	452	3.87	99	139	139	1	2.46	
	416	4.21	191	152	152	1	2.46	
	379	4.62	191	166	166	1	2.46	
	344	5.08	303	183	183	1	2.46	
	299	5.85	303	211	211	1	2.31	
	276	6.33	627	228	228	1	2.21	
	250	7.00	627	252	252	1	2.09	
	214	8.17	711	294	294	1	1.89	
	193	9.09	711	327	327	1	1.73	
	175	10.00	826	360	360	1	1.66	
	155	11.30	826	407	407	1	1.20	
	409	4.28	896	154	154	2	2.46	H_482GH80G4
	340	5.15	904	185	185	2	2.46	
	289	6.06	904	218	218	2	2.46	
	258	6.79	904	245	245	2	2.45	
254	6.90	904	248	248	2	2.46		
211	8.29	919	298	298	2	2.05		
179	9.76	919	351	351	2	2.46		
160	10.93	937	394	394	2	2.46		
143	12.25	937	441	441	2	2.46		
131	13.38	937	482	482	2	2.46		

(B) - See Footnotes page on inside back cover

NOMENCLATURE PAGE ILH-4	DIMENSIONS PAGE ILH-132	THERMAL RATINGS PAGE ILH-335	MOTOR INFORMATION PAGE ENGINEERING-14
----------------------------	----------------------------	---------------------------------	--

SELECTION



IN-LINE HELICAL INTEGRAL GEARMOTORS (ILH) - 1750 RPM

60 HZ

INPUT POWER (HP)	SPEED (RPM)	RATIO	OHL (LBF) (B)	OUTPUT TORQUE (LB-IN)	GEAR STAGE	SERVICE FACTOR (SF)	CATALOG NUMBER
1 (CONT.)	119	14.68	937	529	2	2.46	H_482GH80G4
	108	16.17	937	582	2	2.46	
	100	17.55	1142	632	2	2.46	
	91	19.13	1142	689	2	2.46	
	84	20.95	1142	754	2	2.46	
	76	23.07	1142	831	2	2.46	
	66	26.53	1142	956	2	2.46	
	61	28.74	1517	1035	2	2.46	
	55	31.77	1517	1144	2	2.40	
	47	37.06	1517	1335	2	2.17	
	42	41.26	1517	1486	2	2.02	
	39	45.38	1884	1634	2	1.91	
	34	51.28	1884	1847	2	1.87	
	49	35.59	1517	1282	3	2.46	
	42	41.38	1517	1490	3	2.46	
	38	45.91	1884	1654	3	2.41	
	35	50.00	1884	1801	3	2.21	
	31	55.92	1884	2014	3	1.98	
	29	61.14	1884	2202	3	1.81	
	26	67.10	1884	2417	3	1.65	
	24	73.99	1986	2665	3	1.49	
	21	82.02	1986	2954	3	1.35	
	19	92.91	1986	3346	3	1.19	
	17	102.52	1986	3692	3	1.08	
	858	2.04	140	73	1	2.46	H_681GH80G4
	732	2.39	111	86	1	2.46	
	614	2.85	52	103	1	2.46	
	566	3.09	52	111	1	2.46	
	507	3.45	68	124	1	2.46	
	468	3.74	73	135	1	2.46	
	413	4.24	160	153	1	2.46	
	384	4.56	160	164	1	2.46	
	355	4.93	453	178	1	2.46	
	326	5.36	453	193	1	2.46	
	296	5.92	453	213	1	2.46	
	273	6.42	657	231	1	2.46	
	242	7.23	657	260	1	2.32	
	221	7.92	1078	285	1	2.19	
198	8.82	1078	318	1	2.06		
174	10.08	1366	363	1	1.88		
157	11.18	1366	403	1	1.75		
141	12.40	1366	447	1	1.53		
346	5.06	1466	182	2	2.46	H_682GH80G4	
295	5.93	1466	214	2	2.45		
180	9.73	1057	350	2	2.46		

(B) - See Footnotes page on inside back cover

NOMENCLATURE PAGE ILH-4	DIMENSIONS PAGE ILH-172	THERMAL RATINGS PAGE ILH-335	MOTOR INFORMATION PAGE ENGINEERING-14
----------------------------	----------------------------	---------------------------------	--

IN-LINE HELICAL INTEGRAL GEARMOTORS (ILH) - 1750 RPM

60 HZ

INPUT POWER (HP)	SPEED (RPM)	RATIO	OHL (LBF) (B)	OUTPUT TORQUE (LB-IN)	GEAR STAGE	SERVICE FACTOR (SF)	CATALOG NUMBER	
1 (CONT.)	153	11.40	962	411	2	2.46	H_682GH80G4	
	129	13.59	962	490	2	2.46		
	119	14.74	962	531	2	2.46		
	106	16.45	962	593	2	2.46		
	98	17.82	1306	642	2	2.46		
	87	20.20	1306	727	2	2.46		
	80	21.76	1306	784	2	2.46		
	74	23.53	1306	847	2	2.46		
	68	25.55	1306	920	2	2.46		
	62	28.25	1940	1017	2	2.46		
	57	30.60	1940	1102	2	2.46		
	51	34.49	1940	1242	2	2.46		
	46	37.76	1940	1360	2	2.46		
	42	42.06	1940	1515	2	2.36		
	36	48.09	2765	1732	2	2.16		
	46	37.80	1940	1361	3	2.46		H_683GH80G4
	39	45.41	2765	1635	3	2.46		
	33	53.47	2765	1926	3	2.46		
	29	59.91	2765	2158	3	2.46		
	26	67.14	2765	2418	3	2.46		
	24	73.30	3091	2640	3	2.46		
	22	80.46	3091	2898	3	2.44		
	20	88.59	3091	3191	3	2.22		
	18	96.16	3091	3463	3	2.04		
	17	104.80	3091	3774	3	1.88		
	15	114.78	3170	4134	3	1.71		
	14	126.41	3170	4553	3	1.56		
	12	145.38	3170	5236	3	1.35		
	11	157.50	3170	5672	3	1.25		
	10	174.08	3170	6269	3	1.13		
	35	49.42	4856	1780	3	2.46	H_883GH80G4	
	30	57.93	4856	2086	3	2.46		
	25	69.05	4856	2487	3	2.46		
	23	74.88	4856	2697	3	2.46		
	21	83.58	4856	3010	3	2.46		
	19	90.53	4856	3260	3	2.46		
	17	102.61	4856	3695	3	2.46		
	16	110.54	4856	3981	3	2.46		
	15	119.52	4856	4304	3	2.46		
	13	129.79	4856	4674	3	2.46		
	12	143.50	4856	5168	3	2.46		
	11	155.46	4856	5599	3	2.46		
10	175.18	4856	6309	3	2.36			
9	191.80	4856	6907	3	2.15			
8	213.64	4856	7694	3	1.93			

(B) - See Footnotes page on inside back cover

NOMENCLATURE PAGE ILH-4	DIMENSIONS PAGE ILH-212	THERMAL RATINGS PAGE ILH-335	MOTOR INFORMATION PAGE ENGINEERING-14
----------------------------	----------------------------	---------------------------------	--

IN-LINE HELICAL INTEGRAL GEARMOTORS (ILH) - 1750 RPM

60 HZ

INPUT POWER (HP)	SPEED (RPM)	RATIO	OHL (LBF) (B)	OUTPUT TORQUE (LB-IN)	GEAR STAGE	SERVICE FACTOR (SF)	CATALOG NUMBER
1 (CONT.)	7	244.29	4856	8798	3	1.69	H_883GH80G4
	6	270.90	4856	9756	3	1.52	
	6	300.41	4856	10819	3	1.37	
	24	71.59	7343	2578	3	2.46	H_1083GH80G4
	21	82.14	7343	2958	3	2.46	
	18	96.94	7343	3491	3	2.46	
	17	105.08	7343	3784	3	2.46	
	15	116.83	7343	4207	3	2.46	
	14	126.90	7343	4570	3	2.46	
	12	140.37	7343	5055	3	2.46	
	12	150.70	7343	5427	3	2.46	
	11	162.40	7343	5849	3	2.46	
	10	175.78	7343	6330	3	2.46	
	9	191.21	7343	6886	3	2.46	
	8	209.21	7343	7535	3	2.46	
	7	235.19	7343	8470	3	2.46	
	7	256.86	7343	9251	3	2.46	
	6	284.73	7343	10254	3	2.37	
	5	325.21	7343	11712	3	2.17	
5	359.30	7343	12940	3	2.03		
1.5	1100	1.59	-	86	1	3.23	H_381GH90H4
	946	1.85	-	100	1	3.06	
	853	2.05	-	111	1	2.95	
	783	2.24	50	121	1	2.95	
	700	2.50	102	135	1	2.71	
	640	2.73	102	148	1	2.60	
	583	3.00	211	162	1	2.48	
	529	3.31	269	179	1	2.48	
	477	3.67	258	198	1	2.37	
	421	4.15	371	224	1	2.11	
	382	4.58	371	248	1	2.01	
	338	5.18	543	280	1	1.87	
	296	5.92	543	320	1	1.87	
	260	6.73	583	363	1	1.47	
	367	4.77	518	258	2	3.33	H_382GH90H4
	315	5.55	518	300	2	3.33	
	284	6.16	518	333	2	3.33	
	261	6.71	518	362	2	3.33	
	233	7.50	279	405	2	3.17	
233	7.52	279	406	2	3.34		
200	8.75	279	472	2	3.33		
180	9.70	279	524	2	3.24		
166	10.57	279	571	2	3.06		
148	11.82	416	638	2	2.84		
135	12.92	416	698	2	2.67		

(B) - See Footnotes page on inside back cover

NOMENCLATURE PAGE ILH-4	DIMENSIONS PAGE ILH-252	THERMAL RATINGS PAGE ILH-335	MOTOR INFORMATION PAGE ENGINEERING-14
----------------------------	----------------------------	---------------------------------	--

IN-LINE HELICAL INTEGRAL GEARMOTORS (ILH) - 1750 RPM

60 HZ

INPUT POWER (HP)	SPEED (RPM)	RATIO	OHL (LBF) (B)	OUTPUT TORQUE (LB-IN)	GEAR STAGE	SERVICE FACTOR (SF)	CATALOG NUMBER
1.5 (CONT.)	123	14.18	416	766	2	2.51	H_382GH90H4
	112	15.64	416	845	2	2.30	
	101	17.33	416	936	2	2.08	
	89	19.64	546	1061	2	1.84	
	81	21.67	546	1170	2	1.66	
	71	24.50	546	1323	2	1.47	
	63	27.97	881	1511	2	1.29	
	55	31.80	881	1718	2	1.13	
	51	34.04	881	1839	2	1.06	
	57	30.74	881	1661	3	1.15	H_383GH90H4
	52	33.82	881	1827	3	1.07	
	1151	1.52	-	82	1	3.34	H_481GH90H4
	958	1.83	-	99	1	3.34	
	814	2.15	190	116	1	3.34	
	726	2.41	195	130	1	3.34	
	648	2.70	161	146	1	3.24	
	594	2.95	124	159	1	3.24	
	541	3.24	106	175	1	3.13	
	491	3.56	99	192	1	2.88	
	453	3.87	99	209	1	2.88	
	415	4.21	191	228	1	2.65	
	379	4.62	191	249	1	2.65	
	344	5.08	303	275	1	2.41	
	299	5.85	303	316	1	2.41	
	276	6.33	627	342	1	2.15	
	250	7.00	627	378	1	2.03	
	214	8.17	711	441	1	2.03	
	193	9.09	711	491	1	1.15	
	175	10.00	826	540	1	1.31	
	409	4.28	896	231	2	3.34	H_482GH90H4
	340	5.15	904	278	2	3.34	
	289	6.06	904	327	2	3.34	
	258	6.79	904	367	2	3.33	
	254	6.90	904	373	2	3.33	
	211	8.29	919	448	2	3.33	
	179	9.76	919	527	2	3.34	
160	10.93	937	591	2	3.34		
143	12.25	937	662	2	3.34		
131	13.38	937	723	2	3.33		
119	14.68	937	793	2	3.34		
108	16.17	937	873	2	3.33		
100	17.55	1142	948	2	3.24		
91	19.13	1142	1033	2	3.10		
84	20.95	1142	1132	2	2.96		
76	23.07	1142	1246	2	2.82		

(B) - See Footnotes page on inside back cover

NOMENCLATURE PAGE ILH-4	DIMENSIONS PAGE ILH-132	THERMAL RATINGS PAGE ILH-335	MOTOR INFORMATION PAGE ENGINEERING-14
----------------------------	----------------------------	---------------------------------	--

QUANTIS
QUANTIS GOLD
ILH
RHB
MSM

IN-LINE HELICAL INTEGRAL GEARMOTORS (ILH) - 1750 RPM

60 HZ

INPUT POWER (HP)	SPEED (RPM)	RATIO	OHL (LBF) (B)	OUTPUT TORQUE (LB-IN)	GEAR STAGE	SERVICE FACTOR (SF)	CATALOG NUMBER
1.5 (CONT.)	66	26.53	1142	1433	2	2.62	H_482GH90H4
	61	28.74	1517	1553	2	2.51	
	55	31.77	1517	1716	2	2.32	
	47	37.06	1517	2002	2	1.99	
	42	41.26	1517	2229	2	1.79	
	39	45.38	1884	2452	2	1.62	
	49	35.59	1517	1922	3	2.07	H_483GH90H4
	42	41.38	1517	2235	3	1.78	
	38	45.91	1884	2480	3	1.61	
	35	50.00	1884	2701	3	1.47	
	31	55.92	1884	3021	3	1.32	
	29	61.14	1884	3303	3	1.21	
	26	67.10	1884	3625	3	1.10	
	24	73.99	1986	3997	3	1.00	
	858	2.04	140	110	1	3.34	H_681GH90H4
	732	2.39	111	129	1	3.34	
	614	2.85	52	154	1	3.34	
	566	3.09	52	167	1	3.24	
	507	3.45	68	186	1	3.10	
	468	3.74	73	202	1	3.10	
	413	4.24	160	229	1	2.99	
	384	4.56	160	246	1	2.71	
	355	4.93	453	267	1	2.60	
	327	5.36	453	289	1	2.60	
	295	5.92	453	320	1	2.35	
	273	6.42	657	347	1	2.35	
	242	7.23	657	391	1	2.10	
	221	7.92	1078	428	1	2.10	
	198	8.82	1078	476	1	2.00	
	174	10.08	1366	545	1	1.54	
157	11.18	1366	604	1	1.35		
141	12.40	1366	670	1	1.07		
346	5.06	1466	273	2	3.34	H_682GH90H4	
295	5.93	1466	320	2	3.34		
180	9.73	1057	526	2	3.33		
153	11.40	962	616	2	3.34		
129	13.59	962	734	2	3.34		
119	14.74	962	796	2	3.34		
106	16.45	962	889	2	3.33		
98	17.82	1306	963	2	3.33		
87	20.20	1306	1091	2	3.29		
80	21.76	1306	1175	2	3.17		
74	23.53	1306	1271	2	3.04		
68	25.55	1306	1380	2	2.91		
62	28.25	1940	1526	2	2.75		

(B) - See Footnotes page on inside back cover

NOMENCLATURE PAGE ILH-4	DIMENSIONS PAGE ILH-172	THERMAL RATINGS PAGE ILH-335	MOTOR INFORMATION PAGE ENGINEERING-14
----------------------------	----------------------------	---------------------------------	--

IN-LINE HELICAL INTEGRAL GEARMOTORS (ILH) - 1750 RPM

60 HZ

INPUT POWER (HP)	SPEED (RPM)	RATIO	OHL (LBF) (B)	OUTPUT TORQUE (LB-IN)	GEAR STAGE	SERVICE FACTOR (SF)	CATALOG NUMBER
1.5 (CONT.)	57	30.60	1940	1653	2	2.63	H_682GH90H4
	51	34.49	1940	1863	2	2.46	
	46	37.76	1940	2040	2	2.34	
	42	42.06	1940	2272	2	2.19	
	36	48.09	2765	2598	2	2.03	
	46	37.80	1940	2042	3	3.34	H_683GH90H4
	39	45.41	2765	2453	3	2.89	
	33	53.47	2765	2888	3	2.45	
	29	59.91	2765	3236	3	2.19	
	26	67.14	2765	3627	3	1.95	
	24	73.30	3091	3960	3	1.79	
	22	80.46	3091	4346	3	1.63	
	20	88.59	3091	4786	3	1.48	
	18	96.16	3091	5195	3	1.36	
	17	104.80	3091	5662	3	1.25	
	15	114.78	3170	6200	3	1.14	
	14	126.41	3170	6829	3	1.04	
	185	9.46	1690	511	1	2.24	H_881GH90H4
	169	10.33	1882	558	1	2.14	
	137	12.75	2954	689	2	3.34	H_882GH90H4
	120	14.63	2954	791	2	3.34	
	101	17.27	2954	933	2	3.34	
	93	18.72	3437	1011	2	3.34	
	84	20.81	3437	1124	2	3.34	
	77	22.61	3437	1221	2	3.34	
	70	25.01	3437	1351	2	3.34	
	65	26.85	3437	1450	2	3.34	
	60	28.93	4471	1563	2	3.22	
	56	31.32	4471	1692	2	3.09	
	51	34.07	4471	1840	2	2.94	
	47	37.27	4471	2014	2	2.80	
	42	41.90	4471	2264	2	2.63	
	38	45.76	4856	2472	2	2.50	
	34	50.73	4856	2740	2	2.35	
	35	49.42	4856	2670	3	3.34	H_883GH90H4
	30	57.93	4856	3130	3	3.34	
	25	69.05	4856	3730	3	3.34	
	23	74.88	4856	4045	3	3.34	
	21	83.58	4856	4515	3	3.29	
	19	90.53	4856	4891	3	3.04	
	17	102.61	4856	5543	3	2.68	
	16	110.54	4856	5971	3	2.49	
15	119.52	4856	6457	3	2.30		
13	129.79	4856	7011	3	2.12		
12	143.50	4856	7752	3	1.92		

(B) - See Footnotes page on inside back cover

NOMENCLATURE PAGE ILH-4	DIMENSIONS PAGE ILH-212	THERMAL RATINGS PAGE ILH-335	MOTOR INFORMATION PAGE ENGINEERING-14
----------------------------	----------------------------	---------------------------------	--

IN-LINE HELICAL INTEGRAL GEARMOTORS (ILH) - 1750 RPM

60 HZ

INPUT POWER (HP)	SPEED (RPM)	RATIO	OHL (LBF) (B)	OUTPUT TORQUE (LB-IN)	GEAR STAGE	SERVICE FACTOR (SF)	CATALOG NUMBER
1.5 (CONT.)	11	155.46	4856	8398	3	1.77	H_883GH90H4
	10	175.18	4856	9463	3	1.57	
	9	191.80	4856	10361	3	1.44	
	8	213.64	4856	11541	3	1.29	
	7	244.29	4856	13197	3	1.13	
	6	270.90	4856	14634	3	1.02	
	24	71.59	7343	3867	3	3.34	H_1083GH90H4
	21	82.14	7343	4437	3	3.34	
	18	96.94	7343	5237	3	3.34	
	17	105.08	7343	5676	3	3.34	
	15	116.83	7343	6311	3	3.34	
	14	126.90	7343	6855	3	3.34	
	12	140.37	7343	7583	3	3.34	
	12	150.70	7343	8141	3	3.34	
	11	162.40	7343	8773	3	3.13	
	10	175.78	7343	9496	3	2.89	
	9	191.21	7343	10329	3	2.66	
	8	209.21	7343	11302	3	2.43	
	7	235.19	7343	12705	3	2.16	
	7	256.86	7343	13876	3	1.98	
	6	284.73	7343	15381	3	1.78	
	5	325.21	7343	17569	3	1.56	
	5	359.30	7343	19410	3	1.41	
	22	78.06	8992	4217	3	3.34	H_1283GH90H4
	20	88.46	8992	4779	3	3.34	
	17	103.80	8992	5608	3	3.34	
	15	113.24	8992	6117	3	3.34	
	14	123.53	8992	6673	3	3.34	
	13	133.30	8992	7201	3	3.34	
	12	148.99	8992	8048	3	3.34	
11	159.60	8992	8622	3	3.34		
10	171.62	8992	9271	3	3.21		
9	185.36	8992	10014	3	3.07		
9	201.22	8992	10870	3	2.93		
8	219.72	8992	11869	3	2.79		
7	245.93	8992	13286	3	2.62		
7	268.16	8992	14486	3	2.49		
2	1100	1.59	-	115	1	2.42	H_381GH90I4
	946	1.85	-	133	1	2.30	
	853	2.05	-	148	1	2.21	
	783	2.24	50	161	1	2.13	
	700	2.50	102	180	1	2.03	
	640	2.73	102	197	1	1.95	
	583	3.00	211	216	1	1.86	
	529	3.31	269	238	1	1.77	

(B) - See Footnotes page on inside back cover

NOMENCLATURE PAGE ILH-4	DIMENSIONS PAGE ILH-252	THERMAL RATINGS PAGE ILH-335	MOTOR INFORMATION PAGE ENGINEERING-14
----------------------------	----------------------------	---------------------------------	--

IN-LINE HELICAL INTEGRAL GEARMOTORS (ILH) - 1750 RPM

60 HZ

INPUT POWER (HP)	SPEED (RPM)	RATIO	OHL (LBF) (B)	OUTPUT TORQUE (LB-IN)	GEAR STAGE	SERVICE FACTOR (SF)	CATALOG NUMBER
2 (CONT.)	477	3.67	258	264	1	1.68	H_381GH90I4
	421	4.15	371	299	1	1.58	
	382	4.58	371	330	1	1.50	
	338	5.18	543	373	1	1.40	
	296	5.92	543	426	1	1.10	
	367	4.77	518	344	2	2.50	H_382GH90I4
	315	5.55	518	400	2	2.50	
	284	6.16	518	444	2	2.50	
	261	6.71	518	483	2	2.49	
	233	7.50	279	540	2	2.38	
	233	7.52	279	542	2	2.50	
	200	8.75	279	630	2	2.50	
	180	9.70	279	699	2	2.43	
	166	10.57	279	761	2	2.30	
	148	11.82	416	851	2	2.13	
	135	12.92	416	931	2	2.01	
	123	14.18	416	1021	2	1.88	
	112	15.64	416	1126	2	1.73	
	101	17.33	416	1248	2	1.56	
	89	19.64	546	1414	2	1.38	
	81	21.67	546	1561	2	1.25	
	71	24.50	546	1764	2	1.10	
	1151	1.52	-	109	1	2.50	H_481GH90I4
	958	1.83	-	132	1	2.50	
	814	2.15	190	155	1	2.50	
	726	2.41	195	174	1	2.50	
	648	2.70	161	194	1	2.43	
	594	2.95	124	212	1	2.35	
	541	3.24	106	233	1	2.26	
	491	3.56	99	257	1	2.16	
	453	3.87	99	279	1	2.08	
	415	4.21	191	304	1	1.99	
379	4.62	191	332	1	1.90		
344	5.08	303	366	1	1.81		
299	5.85	303	421	1	1.68		
276	6.33	627	456	1	1.61		
250	7.00	627	504	1	1.52		
214	8.17	711	588	1	1.28		
409	4.28	896	309	2	2.51	H_482GH90I4	
340	5.15	904	371	2	2.50		
289	6.06	904	436	2	2.50		
258	6.79	904	489	2	2.50		
254	6.90	904	497	2	2.50		
211	8.29	919	597	2	2.50		
179	9.76	919	703	2	2.50		

(B) - See Footnotes page on inside back cover

NOMENCLATURE PAGE ILH-4	DIMENSIONS PAGE ILH-130	THERMAL RATINGS PAGE ILH-335	MOTOR INFORMATION PAGE ENGINEERING-14
----------------------------	----------------------------	---------------------------------	--

QUANTIS
QUANTIS GOLD
ILH
RHB
MSM

IN-LINE HELICAL INTEGRAL GEARMOTORS (ILH) - 1750 RPM

60 HZ

INPUT POWER (HP)	SPEED (RPM)	RATIO	OHL (LBF) (B)	OUTPUT TORQUE (LB-IN)	GEAR STAGE	SERVICE FACTOR (SF)	CATALOG NUMBER
2 (CONT.)	160	10.93	937	788	2	2.50	H_482GH9014
	143	12.25	937	883	2	2.50	
	131	13.38	937	963	2	2.50	
	119	14.68	937	1058	2	2.50	
	108	16.17	937	1165	2	2.50	
	100	17.55	1142	1264	2	2.43	
	91	19.13	1142	1378	2	2.33	
	84	20.95	1142	1509	2	2.22	
	76	23.07	1142	1662	2	2.11	
	66	26.53	1142	1911	2	1.96	
	61	28.74	1517	2070	2	1.89	
	55	31.77	1517	2288	2	1.74	
	47	37.06	1517	2670	2	1.49	
	42	41.26	1517	2972	2	1.34	
	39	45.38	1884	3269	2	1.22	
	49	35.59	1517	2563	3	1.55	H_483GH9014
	42	41.38	1517	2981	3	1.34	
	38	45.91	1884	3307	3	1.20	
	35	50.00	1884	3601	3	1.11	
	858	2.04	140	147	1	2.50	H_681GH9014
	732	2.39	111	172	1	2.50	
	614	2.85	52	205	1	2.50	
	566	3.09	52	223	1	2.43	
	507	3.45	68	249	1	2.32	
	468	3.74	73	269	1	2.24	
	413	4.24	160	305	1	2.11	
	384	4.56	160	329	1	2.03	
	355	4.93	453	355	1	1.95	
	327	5.36	453	386	1	1.87	
	295	5.92	453	427	1	1.76	
	273	6.42	657	462	1	1.69	
	242	7.23	657	521	1	1.58	
	221	7.92	1078	570	1	1.50	
	198	8.82	1078	635	1	1.40	
	174	10.08	1366	726	1	1.16	
	157	11.18	1366	805	1	1.01	
	346	5.06	1466	364	2	2.50	H_682GH9014
	295	5.93	1466	427	2	2.50	
	180	9.73	1057	701	2	2.50	
153	11.40	962	821	2	2.50		
129	13.59	962	979	2	2.50		
119	14.74	962	1062	2	2.50		
106	16.45	962	1185	2	2.50		
98	17.82	1306	1284	2	2.50		
87	20.20	1306	1455	2	2.47		

(B) - See Footnotes page on inside back cover

NOMENCLATURE PAGE ILH-4	DIMENSIONS PAGE ILH-172	THERMAL RATINGS PAGE ILH-335	MOTOR INFORMATION PAGE ENGINEERING-14
----------------------------	----------------------------	---------------------------------	--

IN-LINE HELICAL INTEGRAL GEARMOTORS (ILH) - 1750 RPM

60 HZ

INPUT POWER (HP)	SPEED (RPM)	RATIO	OHL (LBF) (B)	OUTPUT TORQUE (LB-IN)	GEAR STAGE	SERVICE FACTOR (SF)	CATALOG NUMBER
2 (CONT.)	80	21.76	1306	1567	2	2.38	H_682GH90I4
	74	23.53	1306	1695	2	2.28	
	68	25.55	1306	1840	2	2.18	
	62	28.25	1940	2035	2	2.06	
	57	30.60	1940	2204	2	1.97	
	51	34.49	1940	2484	2	1.84	
	46	37.76	1940	2720	2	1.75	
	42	42.06	1940	3029	2	1.64	
	36	48.09	2765	3464	2	1.52	H_683GH90I4
	46	37.80	1940	2723	3	2.50	
	39	45.41	2765	3271	3	2.16	
	33	53.47	2765	3851	3	1.84	
	29	59.91	2765	4315	3	1.64	
	26	67.14	2765	4836	3	1.46	
	24	73.30	3091	5279	3	1.34	
	22	80.46	3091	5795	3	1.22	
	20	88.59	3091	6381	3	1.11	H_881GH90I4
	18	96.16	3091	6926	3	1.02	
	343	5.11	1221	368	1	2.34	
	310	5.65	1221	407	1	2.23	
	289	6.06	1221	437	1	2.15	
	268	6.53	1440	471	1	2.07	
	248	7.07	1440	509	1	1.98	
	228	7.69	1690	554	1	1.89	
	208	8.42	1690	606	1	1.80	H_882GH90I4
	185	9.46	1690	682	1	1.68	
	169	10.33	1882	744	1	1.61	
	137	12.75	2954	919	2	2.50	
	120	14.63	2954	1054	2	2.50	
	101	17.27	2954	1244	2	2.50	
	93	18.72	3437	1348	2	2.50	
	84	20.81	3437	1499	2	2.50	
	77	22.61	3437	1628	2	2.50	H_883GH90I4
	70	25.01	3437	1801	2	2.50	
	65	26.85	3437	1934	2	2.50	
	60	28.93	4471	2084	2	2.42	
56	31.32	4471	2256	2	2.31		
51	34.07	4471	2454	2	2.21		
47	37.27	4471	2685	2	2.10		
42	41.90	4471	3018	2	1.97		
38	45.76	4856	3296	2	1.88	H_883GH90I4	
34	50.73	4856	3654	2	1.76		
35	49.42	4856	3560	3	2.50		
30	57.93	4856	4173	3	2.50		
25	69.05	4856	4973	3	2.50		

(B) - See Footnotes page on inside back cover

NOMENCLATURE PAGE ILH-4	DIMENSIONS PAGE ILH-212	THERMAL RATINGS PAGE ILH-335	MOTOR INFORMATION PAGE ENGINEERING-14
----------------------------	----------------------------	---------------------------------	--

IN-LINE HELICAL INTEGRAL GEARMOTORS (ILH) - 1750 RPM

60 HZ

INPUT POWER (HP)	SPEED (RPM)	RATIO	OHL (LBF) (B)	OUTPUT TORQUE (LB-IN)	GEAR STAGE	SERVICE FACTOR (SF)	CATALOG NUMBER
2 (CONT.)	23	74.88	4856	5394	3	2.50	H_883GH90I4
	21	83.58	4856	6020	3	2.47	
	19	90.53	4856	6521	3	2.28	
	17	102.61	4856	7391	3	2.01	
	16	110.54	4856	7962	3	1.87	
	15	119.52	4856	8609	3	1.73	
	13	129.79	4856	9348	3	1.59	
	12	143.50	4856	10336	3	1.44	
	11	155.46	4856	11197	3	1.33	
	10	175.18	4856	12618	3	1.18	
	9	191.80	4856	13815	3	1.08	
	24	71.59	7343	5156	3	2.50	
	21	82.14	7343	5916	3	2.50	
	18	96.94	7343	6983	3	2.50	
	17	105.08	7343	7569	3	2.50	
	15	116.83	7343	8415	3	2.50	
	14	126.90	7343	9141	3	2.50	
	12	140.37	7343	10111	3	2.50	
	12	150.70	7343	10854	3	2.50	
	11	162.40	7343	11697	3	2.35	
	10	175.78	7343	12661	3	2.17	
	9	191.21	7343	13772	3	1.99	
	8	209.21	7343	15069	3	1.82	
	7	235.19	7343	16940	3	1.62	
	7	256.86	7343	18501	3	1.48	
	6	284.73	7343	20508	3	1.34	
	5	325.21	7343	23425	3	1.17	
	5	359.30	7343	25880	3	1.06	
	22	78.06	8992	5623	3	2.50	H_1283GH90I4
	20	88.46	8992	6371	3	2.50	
	17	103.80	8992	7477	3	2.50	
	15	113.24	8992	8156	3	2.50	
	14	123.53	8992	8897	3	2.50	
	13	133.30	8992	9602	3	2.50	
	12	148.99	8992	10731	3	2.50	
	11	159.60	8992	11495	3	2.50	
10	171.62	8992	12362	3	2.41		
9	185.36	8992	13351	3	2.30		
9	201.22	8992	14493	3	2.20		
8	219.72	8992	15826	3	2.09		
7	245.93	8992	17714	3	1.96		
7	268.16	8992	19315	3	1.87		
3	1100	1.59	-	172	1	2.96	H_381GH100J4
	946	1.85	-	200	1	2.79	
	853	2.05	-	222	1	2.67	

(B) - See Footnotes page on inside back cover

NOMENCLATURE PAGE ILH-4	DIMENSIONS PAGE ILH-252	THERMAL RATINGS PAGE ILH-335	MOTOR INFORMATION PAGE ENGINEERING-14
----------------------------	----------------------------	---------------------------------	--

IN-LINE HELICAL INTEGRAL GEARMOTORS (ILH) - 1750 RPM

60 HZ

INPUT POWER (HP)	SPEED (RPM)	RATIO	OHL (LBF) (B)	OUTPUT TORQUE (LB-IN)	GEAR STAGE	SERVICE FACTOR (SF)	CATALOG NUMBER
3 (CONT.)	783	2.24	50	242	1	2.58	H_381GH100J4
	700	2.50	102	270	1	2.39	
	640	2.73	102	295	1	2.35	
	583	3.00	211	324	1	2.18	
	529	3.31	269	357	1	1.61	
	477	3.67	258	396	1	1.56	
	421	4.15	371	449	1	1.22	
	382	4.58	371	495	1	1.39	
	338	5.18	543	560	1	1.11	
	367	4.77	518	516	2	2.40	
	315	5.55	518	600	2	2.27	
	284	6.16	518	665	2	2.12	
	261	6.71	518	725	2	2.00	
	233	7.50	279	810	2	1.86	
	233	7.52	279	813	2	1.92	
	200	8.75	279	945	2	1.73	
	180	9.70	279	1048	2	1.62	
	166	10.57	279	1142	2	1.53	
	148	11.82	416	1277	2	1.42	
	135	12.92	416	1396	2	1.34	
	123	14.18	416	1532	2	1.26	
	112	15.64	416	1689	2	1.15	
	101	17.33	416	1873	2	1.04	
	1151	1.52	-	164	1	3.45	H_481GH100J4
	958	1.83	-	197	1	3.41	
	814	2.15	190	232	1	3.22	
	726	2.41	195	260	1	3.08	
	648	2.70	161	292	1	2.94	
	594	2.95	124	318	1	2.83	
	541	3.24	106	350	1	2.71	
	491	3.56	99	385	1	2.59	
	453	3.87	99	418	1	2.49	
	415	4.21	191	455	1	2.39	
379	4.62	191	499	1	2.30		
344	5.08	303	549	1	1.93		
299	5.85	303	632	1	1.68		
276	6.33	627	684	1	1.49		
250	7.00	627	756	1	1.14		
409	4.28	896	463	2	3.46	H_482GH100J4	
340	5.15	904	556	2	3.45		
289	6.06	904	655	2	3.45		
258	6.79	904	734	2	3.26		
254	6.90	904	745	2	3.45		
211	8.29	919	895	2	3.26		
179	9.76	919	1054	2	2.93		

(B) - See Footnotes page on inside back cover

NOMENCLATURE PAGE ILH-4	DIMENSIONS PAGE ILH-130	THERMAL RATINGS PAGE ILH-335	MOTOR INFORMATION PAGE ENGINEERING-14
----------------------------	----------------------------	---------------------------------	--

IN-LINE HELICAL INTEGRAL GEARMOTORS (ILH) - 1750 RPM

60 HZ

INPUT POWER (HP)	SPEED (RPM)	RATIO	OHL (LBF) (B)	OUTPUT TORQUE (LB-IN)	GEAR STAGE	SERVICE FACTOR (SF)	CATALOG NUMBER
3 (CONT.)	160	10.93	937	1181	2	2.72	H_482GH100J4
	143	12.25	937	1324	2	2.52	
	131	13.38	937	1445	2	2.37	
	119	14.68	937	1586	2	2.23	
	108	16.17	937	1747	2	2.09	
	100	17.55	1142	1896	2	1.97	
	91	19.13	1142	2066	2	1.86	
	84	20.95	1142	2263	2	1.75	
	76	23.07	1142	2493	2	1.60	
	66	26.53	1142	2867	2	1.39	
	61	28.74	1517	3106	2	1.28	
	55	31.77	1517	3432	2	1.16	
	49	35.59	1517	3845	3	1.04	
	1242	1.41	-	152	1	3.45	H_681GH100J4
	1029	1.70	-	184	1	3.45	
	858	2.04	140	220	1	3.45	
	732	2.39	111	258	1	3.30	
	614	2.85	52	308	1	3.08	
	566	3.09	52	334	1	2.97	
	507	3.45	68	373	1	2.82	
	468	3.74	73	404	1	2.72	
	413	4.24	160	458	1	2.55	
	384	4.56	160	493	1	2.45	
	355	4.93	453	533	1	2.35	
	327	5.36	453	579	1	2.26	
	296	5.92	453	640	1	2.15	
	273	6.42	657	693	1	2.07	
	242	7.23	657	781	1	1.70	
	221	7.92	1078	855	1	1.76	
	198	8.82	1078	953	1	1.39	
	501	3.49	1498	378	2	3.46	H_682GH100J4
	415	4.22	1473	456	2	3.45	
	346	5.06	1466	547	2	3.45	
295	5.93	1466	641	2	3.45		
260	6.72	1466	726	2	3.45		
216	8.11	1057	876	2	3.45		
180	9.73	1057	1051	2	3.45		
153	11.40	962	1232	2	3.45		
129	13.59	962	1469	2	3.45		
119	14.74	962	1593	2	3.45		
106	16.45	962	1778	2	3.32		
98	17.82	1306	1926	2	3.19		
87	20.20	1306	2182	2	2.99		
80	21.76	1306	2351	2	2.88		
74	23.53	1306	2542	2	2.76		

(B) - See Footnotes page on inside back cover

NOMENCLATURE PAGE ILH-4	DIMENSIONS PAGE ILH-172	THERMAL RATINGS PAGE ILH-335	MOTOR INFORMATION PAGE ENGINEERING-14
----------------------------	----------------------------	---------------------------------	--

IN-LINE HELICAL INTEGRAL GEARMOTORS (ILH) - 1750 RPM

60 HZ

INPUT POWER (HP)	SPEED (RPM)	RATIO	OHL (LBF) (B)	OUTPUT TORQUE (LB-IN)	GEAR STAGE	SERVICE FACTOR (SF)	CATALOG NUMBER
3 (CONT.)	68	25.55	1306	2760	2	2.57	H_682GH100J4
	62	28.25	1940	3052	2	2.32	
	57	30.60	1940	3306	2	2.14	
	51	34.49	1940	3726	2	1.90	
	46	37.76	1940	4079	2	1.74	
	42	42.06	1940	4544	2	1.56	
	46	37.80	1940	4084	3	1.73	H_683GH100J4
	39	45.41	2765	4906	3	1.44	
	33	53.47	2765	5777	3	1.23	
	29	59.91	2765	6473	3	1.09	
	268	6.53	1440	706	1	2.68	H_881GH100J4
	248	7.07	1440	764	1	2.58	
	228	7.69	1690	831	1	2.48	
	208	8.42	1690	909	1	2.38	
	185	9.46	1690	1022	1	1.82	
	169	10.33	1882	1116	1	1.82	
	295	5.94	2656	642	2	3.45	H_882GH100J4
	252	6.96	2656	752	2	3.45	
	189	9.26	2252	1000	2	3.45	
	161	10.85	2252	1172	2	3.45	
	137	12.75	2954	1378	2	3.45	
	120	14.63	2954	1581	2	3.45	
	101	17.27	2954	1866	2	3.45	
	93	18.72	3437	2023	2	3.45	
	84	20.81	3437	2249	2	3.45	
	77	22.61	3437	2443	2	3.45	
	70	25.01	3437	2702	2	3.38	
	65	26.85	3437	2901	2	3.19	
	60	28.93	4471	3126	2	3.00	
	56	31.32	4471	3384	2	2.82	
	51	34.07	4471	3681	2	2.62	
	47	37.27	4471	4027	2	2.43	
	42	41.90	4471	4527	2	2.20	
	38	45.76	4856	4944	2	2.04	
	34	50.73	4856	5481	2	1.86	
	51	34.14	4471	3688	3	3.45	H_883GH100J4
42	41.19	4471	4450	3	3.34		
35	49.42	4856	5340	3	2.79		
30	57.93	4856	6259	3	2.38		
25	69.05	4856	7460	3	1.99		
23	74.88	4856	8091	3	1.84		
21	83.58	4856	9031	3	1.65		
19	90.53	4856	9781	3	1.52		
17	102.61	4856	11086	3	1.34		
16	110.54	4856	11943	3	1.25		

(B) - See Footnotes page on inside back cover

NOMENCLATURE PAGE ILH-4	DIMENSIONS PAGE ILH-212	THERMAL RATINGS PAGE ILH-335	MOTOR INFORMATION PAGE ENGINEERING-14
----------------------------	----------------------------	---------------------------------	--

IN-LINE HELICAL INTEGRAL GEARMOTORS (ILH) - 1750 RPM

60 HZ

INPUT POWER (HP)	SPEED (RPM)	RATIO	OHL (LBF) (B)	OUTPUT TORQUE (LB-IN)	GEAR STAGE	SERVICE FACTOR (SF)	CATALOG NUMBER
3 (CONT.)	15	119.52	4856	12913	3	1.15	H_883GH100J4
	13	129.79	4856	14023	3	1.06	
	34	51.97	6261	5615	3	3.45	H_1083GH100J4
	29	60.90	6261	6580	3	3.45	
	24	71.59	7343	7735	3	3.45	
	21	82.14	7343	8874	3	3.09	
	18	96.94	7343	10474	3	2.62	
	17	105.08	7343	11353	3	2.42	
	15	116.83	7343	12622	3	2.17	
	14	126.90	7343	13711	3	2.00	
	12	140.37	7343	15166	3	1.81	
	12	150.70	7343	16282	3	1.69	
	11	162.40	7343	17546	3	1.56	
	10	175.78	7343	18991	3	1.44	
	9	191.21	7343	20659	3	1.33	
	8	209.21	7343	22604	3	1.21	
	7	235.19	7343	25410	3	1.08	
	30	57.56	7974	6219	3	3.45	H_1283GH100J4
	26	66.43	7974	7178	3	3.45	
	22	78.06	8992	8434	3	3.45	
	20	88.46	8992	9557	3	3.45	
	17	103.80	8992	11215	3	3.45	
	15	113.24	8992	12235	3	3.45	
	14	123.53	8992	13346	3	3.38	
	13	133.30	8992	14403	3	3.13	
	12	148.99	8992	16097	3	2.80	
	11	159.60	8992	17243	3	2.62	
	10	171.62	8992	18542	3	2.43	
	9	185.36	8992	20027	3	2.25	
	9	201.22	8992	21740	3	2.08	
8	219.72	8992	23739	3	1.90		
7	245.93	8992	26571	3	1.70		
7	268.16	8992	28972	3	1.56		
22	81.04	11827	8756	3	3.45	H_1483GH100J4	
19	92.91	11827	10039	3	3.45		
16	111.50	12725	12046	3	3.45		
14	123.37	12725	13330	3	3.45		
12	144.39	12725	15600	3	3.45		
11	156.38	12725	16895	3	3.45		
10	174.53	12725	18856	3	3.45		
9	185.03	12725	19991	3	3.34		
8	209.76	12725	22663	3	3.01		
8	224.43	12725	24249	3	2.85		
7	236.05	12725	25503	3	2.73		
7	254.70	12725	27519	3	2.55		

(B) - See Footnotes page on inside back cover

NOMENCLATURE PAGE ILH-4	DIMENSIONS PAGE ILH-252	THERMAL RATINGS PAGE ILH-335	MOTOR INFORMATION PAGE ENGINEERING-14
----------------------------	----------------------------	---------------------------------	--

IN-LINE HELICAL INTEGRAL GEARMOTORS (ILH) - 1750 RPM

60 HZ

INPUT POWER (HP)	SPEED (RPM)	RATIO	OHL (LBF) (B)	OUTPUT TORQUE (LB-IN)	GEAR STAGE	SERVICE FACTOR (SF)	CATALOG NUMBER
	6	276.23	12725	29844	3	2.37	H_1483GH100J4
	6	301.34	12725	32558	3	2.17	
	5	336.11	12725	36314	3	1.95	
5	1151	1.52	-	274	1	2.53	H_481GH112L4
	958	1.83	-	329	1	2.37	
	814	2.15	190	387	1	2.22	
	726	2.41	195	434	1	2.11	
	648	2.70	161	486	1	2.01	
	594	2.95	124	531	1	1.93	
	541	3.24	106	583	1	1.84	
	491	3.56	99	642	1	1.76	
	453	3.87	99	696	1	1.70	
	415	4.21	191	759	1	1.64	
	379	4.62	191	831	1	1.38	
	344	5.08	303	915	1	1.16	
	299	5.85	303	1053	1	1.01	
	409	4.28	896	771	2	2.77	H_482GH112L4
	340	5.15	904	927	2	2.58	
	289	6.06	904	1091	2	2.19	
	258	6.79	904	1223	2	1.95	
	254	6.90	904	1242	2	2.21	
	211	8.29	919	1492	2	1.96	
	179	9.76	919	1757	2	1.76	
	160	10.93	937	1969	2	1.63	
	143	12.25	937	2207	2	1.51	
	131	13.38	937	2409	2	1.42	
	119	14.68	937	2644	2	1.34	
	108	16.17	937	2911	2	1.25	
	100	17.55	1142	3160	2	1.18	
	91	19.13	1142	3444	2	1.12	
	84	20.95	1142	3772	2	1.05	
	1242	1.41	-	254	1	2.77	H_681GH112L4
	1029	1.70	-	306	1	2.77	
	858	2.04	140	367	1	2.61	
	732	2.39	111	431	1	2.47	
	614	2.85	52	513	1	2.29	
	566	3.09	52	557	1	2.21	
	507	3.45	68	621	1	2.10	
	468	3.74	73	673	1	2.02	
	413	4.24	160	763	1	1.89	
	384	4.56	160	822	1	1.83	
	355	4.93	453	888	1	1.76	
	327	5.36	453	965	1	1.70	
	296	5.92	453	1067	1	1.58	
	273	6.42	657	1156	1	1.30	

(B) - See Footnotes page on inside back cover

NOMENCLATURE PAGE ILH-4	DIMENSIONS PAGE ILH-170	THERMAL RATINGS PAGE ILH-335	MOTOR INFORMATION PAGE ENGINEERING-14
----------------------------	----------------------------	---------------------------------	--

IN-LINE HELICAL INTEGRAL GEARMOTORS (ILH) - 1750 RPM

60 HZ

INPUT POWER (HP)	SPEED (RPM)	RATIO	OHL (LBF) (B)	OUTPUT TORQUE (LB-IN)	GEAR STAGE	SERVICE FACTOR (SF)	CATALOG NUMBER
5 (CONT.)	242	7.23	657	1302	1	1.02	H_681GH112L4
	221	7.92	1078	1426	1	1.06	
	501	3.49	1498	629	2	2.78	H_682GH112L4
	415	4.22	1473	759	2	2.77	
	346	5.06	1466	911	2	2.77	
	295	5.93	1466	1068	2	2.77	
	260	6.72	1466	1210	2	2.77	
	216	8.11	1057	1460	2	2.77	
	180	9.73	1057	1752	2	2.77	
	153	11.40	962	2054	2	2.77	
	129	13.59	962	2448	2	2.75	
	119	14.74	962	2654	2	2.65	
	106	16.45	962	2963	2	2.39	
	98	17.82	1306	3209	2	2.21	
	87	20.20	1306	3637	2	1.95	
	80	21.76	1306	3918	2	1.81	
	74	23.53	1306	4237	2	1.67	
	68	25.55	1306	4601	2	1.54	
	62	28.25	1940	5087	2	1.39	
	57	30.60	1940	5511	2	1.29	
	51	34.49	1940	6210	2	1.14	
	46	37.76	1940	6799	2	1.04	
	449	3.90	690	702	1	2.53	H_881GH112L4
	414	4.23	783	761	1	2.44	
	372	4.70	783	846	1	2.32	
	343	5.11	1221	919	1	2.23	
	310	5.65	1221	1017	1	2.13	
	289	6.06	1221	1092	1	2.06	
	268	6.53	1440	1177	1	1.99	
	248	7.07	1440	1273	1	1.93	
	228	7.69	1690	1385	1	1.57	
	208	8.42	1690	1516	1	1.43	
	185	9.46	1690	1704	1	1.09	
	169	10.33	1882	1861	1	1.09	
	359	4.87	2656	877	2	2.77	H_882GH112L4
	295	5.94	2656	1069	2	2.77	
	252	6.96	2656	1253	2	2.77	
	231	7.59	2252	1367	2	2.77	
	189	9.26	2252	1667	2	2.77	
	161	10.85	2252	1954	2	2.77	
	137	12.75	2954	2297	2	2.77	
	120	14.63	2954	2635	2	2.77	
	101	17.27	2954	3110	2	2.77	
	93	18.72	3437	3371	2	2.77	
	84	20.81	3437	3748	2	2.77	

(B) - See Footnotes page on inside back cover

NOMENCLATURE PAGE ILH-4	DIMENSIONS PAGE ILH-210	THERMAL RATINGS PAGE ILH-335	MOTOR INFORMATION PAGE ENGINEERING-14
----------------------------	----------------------------	---------------------------------	--

IN-LINE HELICAL INTEGRAL GEARMOTORS (ILH) - 1750 RPM

60 HZ

INPUT POWER (HP)	SPEED (RPM)	RATIO	OHL (LBF) (B)	OUTPUT TORQUE (LB-IN)	GEAR STAGE	SERVICE FACTOR (SF)	CATALOG NUMBER
5 (CONT.)	77	22.61	3437	4071	2	2.68	H_882GH112L4
	70	25.01	3437	4503	2	2.55	
	65	26.85	3437	4835	2	2.47	
	60	28.93	4471	5210	2	2.39	
	56	31.32	4471	5639	2	2.31	
	51	34.07	4471	6134	2	2.19	
	47	37.27	4471	6712	2	2.03	
	42	41.90	4471	7545	2	1.84	
	38	45.76	4856	8240	2	1.70	H_883GH112L4
	51	34.14	4471	6147	3	2.42	
	42	41.19	4471	7416	3	2.00	
	35	49.42	4856	8900	3	1.67	
	30	57.93	4856	10432	3	1.43	
	25	69.05	4856	12433	3	1.20	H_1082GH112L4
	23	74.88	4856	13484	3	1.10	
	246	7.10	3705	1279	2	2.77	
	164	10.67	3705	1921	2	2.77	
	138	12.68	4037	2282	2	2.77	
	120	14.63	4037	2634	2	2.77	
	102	17.19	4037	3095	2	2.77	
	90	19.48	4288	3507	2	2.77	
	77	22.86	4288	4116	2	2.77	
	70	24.94	4288	4490	2	2.77	
	64	27.20	4288	4898	2	2.77	
	60	29.35	5138	5286	2	2.69	
	53	32.81	5138	5908	2	2.54	
	50	35.14	5138	6328	2	2.46	
	46	37.79	5138	6805	2	2.38	
	43	40.82	5138	7350	2	2.30	
	39	44.31	6261	7979	2	2.22	
	36	48.38	6261	8712	2	2.07	
	41	42.61	5138	7673	3	2.77	H_1283GH112L4
	34	51.97	6261	9359	3	2.77	
	29	60.90	6261	10966	3	2.50	
	24	71.59	7343	12891	3	2.13	
	21	82.14	7343	14790	3	1.86	
	18	96.94	7343	17457	3	1.57	
	17	105.08	7343	18922	3	1.45	
	15	116.83	7343	21037	3	1.30	
	14	126.90	7343	22851	3	1.20	
	12	140.37	7343	25277	3	1.09	
	36	48.44	7974	8723	3	2.77	
30	57.56	7974	10365	3	2.77		
26	66.43	7974	11963	3	2.77		
22	78.06	8992	14056	3	2.77		

(B) - See Footnotes page on inside back cover

NOMENCLATURE PAGE ILH-4	DIMENSIONS PAGE ILH-252	THERMAL RATINGS PAGE ILH-335	MOTOR INFORMATION PAGE ENGINEERING-14
----------------------------	----------------------------	---------------------------------	--

IN-LINE HELICAL INTEGRAL GEARMOTORS (ILH) - 1750 RPM

60 HZ

INPUT POWER (HP)	SPEED (RPM)	RATIO	OHL (LBF) (B)	OUTPUT TORQUE (LB-IN)	GEAR STAGE	SERVICE FACTOR (SF)	CATALOG NUMBER
5 (CONT.)	20	88.46	8992	15929	3	2.77	H_1283GH112L4
	17	103.80	8992	18692	3	2.42	
	15	113.24	8992	20391	3	2.21	
	14	123.53	8992	22243	3	2.03	
	13	133.30	8992	24004	3	1.88	
	12	148.99	8992	26828	3	1.68	
	11	159.60	8992	28739	3	1.57	
	10	171.62	8992	30904	3	1.46	
	9	185.36	8992	33378	3	1.35	
	9	201.22	8992	36233	3	1.25	
	8	219.72	8992	39564	3	1.14	
	25	69.36	11827	12489	3	2.77	H_1483GH112L4
	22	81.04	11827	14593	3	2.77	
	19	92.91	11827	16731	3	2.77	
	16	107.42	12725	19344	3	2.77	
	16	111.50	12725	20077	3	2.77	
	14	123.37	12725	22216	3	2.77	
	12	144.39	12725	26001	3	2.72	
	11	156.38	12725	28159	3	2.51	
	10	174.53	12725	31427	3	2.25	
9	185.03	12725	33319	3	2.13		
8	209.76	12725	37771	3	1.87		
8	224.43	12725	40414	3	1.75		
7	236.05	12725	42506	3	1.67		
7	254.70	12725	45865	3	1.54		
6	276.23	12725	49741	3	1.42		
6	301.34	12725	54263	3	1.30		
5	336.11	12725	60524	3	1.17		
7.5	1242	1.41	-	381	1	2.98	H_681GH132M4
	1029	1.70	-	459	1	2.81	
	858	2.04	140	551	1	2.63	
	732	2.39	111	646	1	2.46	
	614	2.85	52	770	1	2.27	
	566	3.09	52	835	1	2.19	
	507	3.45	68	932	1	2.08	
	468	3.74	73	1009	1	2.01	
	413	4.24	160	1144	1	1.78	
	384	4.56	160	1232	1	1.58	
	355	4.93	453	1333	1	1.49	
	327	5.36	453	1447	1	1.35	
	295	5.92	453	1600	1	1.05	
	501	3.49	1498	944	2	3.55	H_682GH132M4
	415	4.22	1473	1139	2	3.33	
	346	5.06	1466	1367	2	3.10	
	295	5.93	1466	1602	2	2.71	

(B) - See Footnotes page on inside back cover

NOMENCLATURE PAGE ILH-4	DIMENSIONS PAGE ILH-292	THERMAL RATINGS PAGE ILH-335	MOTOR INFORMATION PAGE ENGINEERING-14
----------------------------	----------------------------	---------------------------------	--

IN-LINE HELICAL INTEGRAL GEARMOTORS (ILH) - 1750 RPM

60 HZ

INPUT POWER (HP)	SPEED (RPM)	RATIO	OHL (LBF) (B)	OUTPUT TORQUE (LB-IN)	GEAR STAGE	SERVICE FACTOR (SF)	CATALOG NUMBER
7.5 (CONT.)	260	6.72	1466	1815	2	3.29	H_682GH132M4
	216	8.11	1057	2190	2	3.00	
	180	9.73	1057	2628	2	2.69	
	153	11.40	962	3080	2	2.30	
	129	13.59	962	3671	2	1.93	
	119	14.74	962	3982	2	1.78	
	106	16.45	962	4444	2	1.59	
	98	17.82	1306	4814	2	1.47	
	87	20.20	1306	5456	2	1.30	
	80	21.76	1306	5877	2	1.20	
	74	23.53	1306	6355	2	1.11	
	68	25.55	1306	6901	2	1.03	
	414	4.23	783	1142	1	2.38	H_881GH132M4
	372	4.70	783	1270	1	2.26	
	343	5.11	1221	1379	1	2.18	
	310	5.65	1221	1525	1	1.86	
	289	6.06	1221	1638	1	1.51	
	268	6.53	1440	1765	1	1.50	
	247	7.07	1440	1910	1	1.34	
	228	7.69	1690	2078	1	1.04	
	359	4.87	2656	1315	2	4.02	H_882GH132M4
	295	5.94	2656	1604	2	3.82	
	252	6.96	2656	1879	2	3.62	
	231	7.59	2252	2051	2	4.03	
	189	9.26	2252	2501	2	3.82	
	161	10.85	2252	2931	2	3.62	
	137	12.75	2954	3445	2	3.41	
	120	14.63	2954	3953	2	3.21	
	101	17.27	2954	4665	2	2.97	
	93	18.72	3437	5057	2	2.86	
	84	20.81	3437	5622	2	2.64	
	77	22.61	3437	6107	2	2.43	
	70	25.01	3437	6755	2	2.20	
	65	26.85	3437	7252	2	2.05	
	60	28.93	4471	7815	2	1.90	
	56	31.32	4471	8459	2	1.76	
	51	34.07	4471	9201	2	1.62	
	47	37.27	4471	10068	2	1.48	
	51	34.14	4471	9221	3	1.61	H_883GH132M4
	42	41.19	4471	11125	3	1.34	
	35	49.42	4856	13349	3	1.11	
	318	5.51	3312	1488	2	4.36	H_1082GH132M4
273	6.41	3312	1731	2	4.36		
246	7.10	3705	1918	2	4.37		
212	8.27	3705	2234	2	4.37		

(B) - See Footnotes page on inside back cover

NOMENCLATURE PAGE ILH-4	DIMENSIONS PAGE ILH-212	THERMAL RATINGS PAGE ILH-335	MOTOR INFORMATION PAGE ENGINEERING-14
----------------------------	----------------------------	---------------------------------	--

QUANTIS
QUANTIS GOLD
ILH
RHB
MSM

SELECTION



IN-LINE HELICAL INTEGRAL GEARMOTORS (ILH) - 1750 RPM

60 HZ

INPUT POWER (HP)	SPEED (RPM)	RATIO	OHL (LBF) (B)	OUTPUT TORQUE (LB-IN)	GEAR STAGE	SERVICE FACTOR (SF)	CATALOG NUMBER
7.5 (CONT.)	182	9.62	3705	2600	2	4.37	H_1082GH132M4
	164	10.67	3705	2881	2	4.36	
	138	12.68	4037	3424	2	4.36	
	120	14.63	4037	3951	2	4.36	
	102	17.19	4037	4643	2	4.25	
	90	19.48	4288	5261	2	4.07	
	77	22.86	4288	6174	2	3.84	
	70	24.94	4288	6735	2	3.71	
	64	27.20	4288	7347	2	3.60	
	60	29.35	5138	7929	2	3.42	
	53	32.81	5138	8861	2	3.10	
	50	35.14	5138	9492	2	2.89	
	46	37.79	5138	10207	2	2.69	
	43	40.82	5138	11025	2	2.49	
	39	44.31	6261	11968	2	2.29	
	36	48.38	6261	13068	2	2.10	
	41	42.61	5138	11510	3	2.38	H_1083GH132M4
	34	51.97	6261	14039	3	1.95	
	29	60.90	6261	16450	3	1.67	
	24	71.59	7343	19337	3	1.42	
	21	82.14	7343	22186	3	1.24	
	18	96.94	7343	26185	3	1.05	
	313	5.59	4392	1509	2	4.28	H_1282GH132M4
	192	9.13	4886	2466	2	4.28	
	162	10.78	4886	2911	2	4.12	
	145	12.03	5306	3250	2	4.01	
	124	14.06	5306	3798	2	3.82	
	109	16.12	5306	4355	2	3.64	
	94	18.64	5578	5034	2	3.42	
	90	19.35	5578	5225	2	3.36	
	82	21.41	5578	5782	2	3.21	
	70	25.05	5578	6767	2	2.97	
	64	27.13	5578	7329	2	2.85	
	58	30.28	6464	8179	2	2.69	
	55	32.11	6464	8672	2	2.62	
	48	36.39	6464	9831	2	2.47	
45	38.94	6464	10519	2	2.42		
43	40.96	6464	11063	2	2.39		
47	37.57	6464	10147	3	4.33	H_1283GH132M4	
40	43.71	7974	11805	3	3.82		
36	48.44	7974	13084	3	3.45		
30	57.56	7974	15548	3	2.90		
26	66.43	7974	17944	3	2.52		
22	78.06	8992	21084	3	2.14		
20	88.46	8992	23893	3	1.89		

(B) - See Footnotes page on inside back cover

NOMENCLATURE PAGE ILH-4	DIMENSIONS PAGE ILH-276	THERMAL RATINGS PAGE ILH-335	MOTOR INFORMATION PAGE ENGINEERING-14
----------------------------	----------------------------	---------------------------------	--

IN-LINE HELICAL INTEGRAL GEARMOTORS (ILH) - 1750 RPM

60 HZ

INPUT POWER (HP)	SPEED (RPM)	RATIO	OHL (LBF) (B)	OUTPUT TORQUE (LB-IN)	GEAR STAGE	SERVICE FACTOR (SF)	CATALOG NUMBER
7.5 (CONT.)	17	103.80	8992	28038	3	1.61	H_1283GH132M4
	15	113.24	8992	30587	3	1.48	
	14	123.53	8992	33365	3	1.35	
	13	133.30	8992	36006	3	1.25	
	12	148.99	8992	40242	3	1.12	
	11	159.60	8992	43108	3	1.05	
	231	7.57	6087	2045	2	4.35	H_1482GH132M4
	129	13.52	6751	3652	2	4.35	
	113	15.51	6751	4189	2	4.23	
	102	17.09	6751	4616	2	4.13	
	87	20.21	7372	5459	2	3.92	
	76	23.04	7372	6223	2	3.74	
	66	26.49	7372	7155	2	3.53	
	58	30.28	7911	8179	2	3.32	
	50	35.09	7911	9478	2	3.09	
	46	38.23	7911	10326	2	2.96	
	41	42.59	7911	11504	2	2.80	
	39	45.11	9679	12185	2	2.73	
	33	52.61	9679	14212	3	4.37	H_1483GH132M4
	28	62.12	9679	16779	3	4.22	
	25	69.36	11827	18734	3	3.78	
	22	81.04	11827	21890	3	3.23	
	19	92.91	11827	25096	3	2.82	
	16	107.42	12725	29015	3	2.44	
	16	111.50	12725	30116	3	2.35	
	14	123.37	12725	33324	3	2.12	
	12	144.39	12725	39001	3	1.82	
	11	156.38	12725	42238	3	1.68	
	10	174.53	12725	47141	3	1.50	
	9	185.03	12725	49979	3	1.42	
	8	209.76	12725	56657	3	1.25	
	8	224.43	12725	60621	3	1.17	
	7	236.05	12725	63759	3	1.11	
7	254.70	12725	68797	3	1.03		
113	15.44	17770	4170	2	4.34	H_1682GH132M4	
99	17.60	17770	4754	2	4.22		
91	19.30	17770	5213	2	4.12		
75	23.26	17770	6283	2	3.88		
68	25.84	17770	6980	2	3.73		
60	29.27	17770	7906	2	3.54		
28	63.08	17770	17039	3	4.35	H_1683GH132M4	
24	72.36	17770	19544	3	4.23		
22	79.75	17770	21540	3	4.13		
19	94.30	17770	25471	3	3.92		
16	107.48	17770	29031	3	3.74		

(B) - See Footnotes page on inside back cover

NOMENCLATURE PAGE ILH-4	DIMENSIONS PAGE ILH-292	THERMAL RATINGS PAGE ILH-335	MOTOR INFORMATION PAGE ENGINEERING-14
----------------------------	----------------------------	---------------------------------	--

QUANTIS
QUANTIS GOLD
ILH
RHB
MSM

SELECTION



IN-LINE HELICAL INTEGRAL GEARMOTORS (ILH) - 1750 RPM

60 HZ

INPUT POWER (HP)	SPEED (RPM)	RATIO	OHL (LBF) (B)	OUTPUT TORQUE (LB-IN)	GEAR STAGE	SERVICE FACTOR (SF)	CATALOG NUMBER
7.5 (CONT.)	14	123.59	17770	33382	3	3.53	H_1683GH132M4
	12	141.28	17770	38161	3	3.25	
	11	163.72	17770	44222	3	2.80	
	10	178.38	17770	48181	3	2.57	
	9	198.71	17770	53674	3	2.31	
	8	210.49	17770	56855	3	2.18	
	7	236.72	17770	63940	3	1.94	
	7	253.08	17770	68359	3	1.81	
	7	268.29	17770	72466	3	1.71	
	6	289.23	17770	78124	3	1.59	
	6	313.41	17770	84653	3	1.46	
5	341.61	17770	92270	3	1.34		
10	1242	1.41	-	507	1	2.24	H_681GH132N4
	1029	1.70	-	612	1	2.11	
	858	2.04	140	735	1	1.97	
	732	2.39	111	861	1	1.85	
	614	2.85	52	1026	1	1.70	
	566	3.09	52	1113	1	1.64	
	507	3.45	68	1242	1	1.56	
	468	3.74	73	1346	1	1.51	
	413	4.24	160	1525	1	1.33	
	384	4.56	160	1643	1	1.19	
	355	4.93	453	1777	1	1.12	
	327	5.36	453	1929	1	1.01	
	501	3.49	1498	1259	2	2.66	H_682GH132N4
	415	4.22	1473	1518	2	2.50	
	346	5.06	1466	1822	2	2.33	
	295	5.93	1466	2136	2	2.03	
	260	6.72	1466	2420	2	2.47	
	216	8.11	1057	2920	2	2.25	
	180	9.73	1057	3504	2	2.02	
	153	11.40	962	4107	2	1.72	
	129	13.59	962	4895	2	1.45	
	119	14.74	962	5309	2	1.33	
	106	16.45	962	5926	2	1.20	
	98	17.82	1306	6418	2	1.10	
714	2.45	460	882	1	2.26	H_881GH132N4	
608	2.88	487	1037	1	2.12		
530	3.30	617	1190	1	2.00		
449	3.90	690	1405	1	1.85		
414	4.23	783	1522	1	1.78		
372	4.70	783	1693	1	1.70		
343	5.11	1221	1839	1	1.63		
310	5.65	1221	2034	1	1.39		
289	6.06	1221	2183	1	1.14		

(B) - See Footnotes page on inside back cover

NOMENCLATURE PAGE ILH-4	DIMENSIONS PAGE ILH-324	THERMAL RATINGS PAGE ILH-335	MOTOR INFORMATION PAGE ENGINEERING-14
----------------------------	----------------------------	---------------------------------	--

IN-LINE HELICAL INTEGRAL GEARMOTORS (ILH) - 1750 RPM

60 HZ

INPUT POWER (HP)	SPEED (RPM)	RATIO	OHL (LBF) (B)	OUTPUT TORQUE (LB-IN)	GEAR STAGE	SERVICE FACTOR (SF)	CATALOG NUMBER
10 (CONT.)	268	6.53	1440	2353	1	1.13	H_881GH132N4
	247	7.07	1440	2547	1	1.01	
	359	4.87	2656	1753	2	3.02	H_882GH132N4
	295	5.94	2656	2139	2	2.86	
	252	6.96	2656	2506	2	2.71	
	231	7.59	2252	2734	2	3.02	
	189	9.26	2252	3335	2	2.86	
	161	10.85	2252	3908	2	2.72	
	137	12.75	2954	4593	2	2.56	
	120	14.63	2954	5270	2	2.41	
	101	17.27	2954	6220	2	2.23	
	93	18.72	3437	6742	2	2.15	
	84	20.81	3437	7496	2	1.98	
	77	22.61	3437	8142	2	1.83	
	70	25.01	3437	9007	2	1.65	
	65	26.85	3437	9669	2	1.54	
	60	28.93	4471	10420	2	1.43	
	56	31.32	4471	11278	2	1.32	
	51	34.07	4471	12269	2	1.21	
	47	37.27	4471	13424	2	1.11	
	51	34.14	4471	12295	3	1.21	H_883GH132N4
	42	41.19	4471	14833	3	1.00	
	318	5.51	3312	1983	2	3.27	H_1082GH132N4
	273	6.41	3312	2308	2	3.27	
	246	7.10	3705	2558	2	3.27	
	212	8.27	3705	2979	2	3.28	
	182	9.62	3705	3466	2	3.27	
	164	10.67	3705	3842	2	3.27	
	138	12.68	4037	4565	2	3.27	
	120	14.63	4037	5268	2	3.27	
	102	17.19	4037	6190	2	3.19	
	90	19.48	4288	7015	2	3.05	
	77	22.86	4288	8232	2	2.88	
	70	24.94	4288	8980	2	2.78	
	64	27.20	4288	9796	2	2.70	
	60	29.35	5138	10571	2	2.56	
53	32.81	5138	11815	2	2.32		
50	35.14	5138	12656	2	2.17		
46	37.79	5138	13610	2	2.02		
43	40.82	5138	14700	2	1.87		
39	44.31	6261	15957	2	1.72		
36	48.38	6261	17424	2	1.57		
41	42.61	5138	15346	3	1.79	H_1083GH132N4	
34	51.97	6261	18718	3	1.47		
29	60.90	6261	21933	3	1.25		

(B) - See Footnotes page on inside back cover

NOMENCLATURE PAGE ILH-4	DIMENSIONS PAGE ILH-250	THERMAL RATINGS PAGE ILH-335	MOTOR INFORMATION PAGE ENGINEERING-14
----------------------------	----------------------------	---------------------------------	--

IN-LINE HELICAL INTEGRAL GEARMOTORS (ILH) - 1750 RPM

60 HZ

INPUT POWER (HP)	SPEED (RPM)	RATIO	OHL (LBF) (B)	OUTPUT TORQUE (LB-IN)	GEAR STAGE	SERVICE FACTOR (SF)	CATALOG NUMBER
10 (CONT.)	24	71.59	7343	25782	3	1.06	H_1083GH132N4
	313	5.59	4392	2012	2	3.21	H_1282GH132N4
	192	9.13	4886	3288	2	3.21	
	162	10.78	4886	3882	2	3.09	
	145	12.03	5306	4334	2	3.01	
	124	14.06	5306	5064	2	2.87	
	109	16.12	5306	5806	2	2.73	
	94	18.64	5578	6713	2	2.57	
	90	19.35	5578	6967	2	2.52	
	82	21.41	5578	7710	2	2.41	
	70	25.05	5578	9023	2	2.23	
	64	27.13	5578	9772	2	2.14	
	58	30.28	6464	10906	2	2.02	
	55	32.11	6464	11562	2	1.97	
	48	36.39	6464	13107	2	1.85	
	45	38.94	6464	14025	2	1.81	
	43	40.96	6464	14750	2	1.79	
	47	37.57	6464	13529	3	3.25	H_1283GH132N4
	40	43.71	7974	15741	3	2.87	
	36	48.44	7974	17446	3	2.59	
	30	57.56	7974	20731	3	2.18	
	26	66.43	7974	23926	3	1.89	
	22	78.06	8992	28113	3	1.61	
	20	88.46	8992	31857	3	1.42	
	17	103.80	8992	37384	3	1.21	
	15	113.24	8992	40782	3	1.11	
	14	123.53	8992	44487	3	1.01	
	231	7.57	6087	2726	2	3.26	H_1482GH132N4
	129	13.52	6751	4869	2	3.26	
	113	15.51	6751	5586	2	3.17	
	102	17.09	6751	6155	2	3.10	
	87	20.21	7372	7278	2	2.94	
	76	23.04	7372	8298	2	2.81	
	66	26.49	7372	9540	2	2.65	
	58	30.28	7911	10905	2	2.49	H_1483GH132N4
	50	35.09	7911	12637	2	2.32	
	46	38.23	7911	13768	2	2.22	
	41	42.59	7911	15338	2	2.10	
	39	45.11	9679	16246	2	2.05	
	33	52.61	9679	18949	3	3.27	
	28	62.12	9679	22371	3	3.17	
	25	69.36	11827	24978	3	2.83	
	22	81.04	11827	29187	3	2.43	
	19	92.91	11827	33462	3	2.12	
	16	107.42	12725	38687	3	1.83	

(B) - See Footnotes page on inside back cover

NOMENCLATURE PAGE ILH-4	DIMENSIONS PAGE ILH-276	THERMAL RATINGS PAGE ILH-335	MOTOR INFORMATION PAGE ENGINEERING-14
----------------------------	----------------------------	---------------------------------	--

SELECTION



IN-LINE HELICAL INTEGRAL GEARMOTORS (ILH) - 1750 RPM

60 HZ

INPUT POWER (HP)	SPEED (RPM)	RATIO	OHL (LBF) (B)	OUTPUT TORQUE (LB-IN)	GEAR STAGE	SERVICE FACTOR (SF)	CATALOG NUMBER
10 (CONT.)	16	111.50	12725	40154	3	1.76	H_1483GH132N4
	14	123.37	12725	44432	3	1.59	
	12	144.39	12725	52002	3	1.36	
	11	156.38	12725	56318	3	1.26	
	10	174.53	12725	62854	3	1.13	
	9	185.03	12725	66638	3	1.06	
	113	15.44	17770	5561	2	3.26	H_1682GH132N4
	99	17.60	17770	6339	2	3.17	
	91	19.30	17770	6951	2	3.09	
	75	23.26	17770	8377	2	2.91	
	68	25.84	17770	9306	2	2.80	
	60	29.27	17770	10541	2	2.65	
	28	63.08	17770	22719	3	3.26	H_1683GH132N4
	24	72.36	17770	26058	3	3.17	
	22	79.75	17770	28721	3	3.10	
	19	94.30	17770	33962	3	2.94	
	16	107.48	17770	38708	3	2.81	
	14	123.59	17770	44510	3	2.65	
	12	141.28	17770	50881	3	2.44	
	11	163.72	17770	58963	3	2.10	
	10	178.38	17770	64241	3	1.93	
	9	198.71	17770	71566	3	1.73	
	8	210.49	17770	75806	3	1.63	
	7	236.72	17770	85254	3	1.45	
	7	253.08	17770	91145	3	1.36	
	7	268.29	17770	96621	3	1.28	
	6	289.23	17770	104166	3	1.19	
	6	313.41	17770	112871	3	1.10	
5	341.61	17770	123027	3	1.01		

(B) - See Footnotes page on inside back cover

NOMENCLATURE PAGE ILH-4	DIMENSIONS PAGE ILH-308	THERMAL RATINGS PAGE ILH-335	MOTOR INFORMATION PAGE ENGINEERING-14
----------------------------	----------------------------	---------------------------------	--

DIMENSIONS



QUANTIS

QUANTIS GOLD

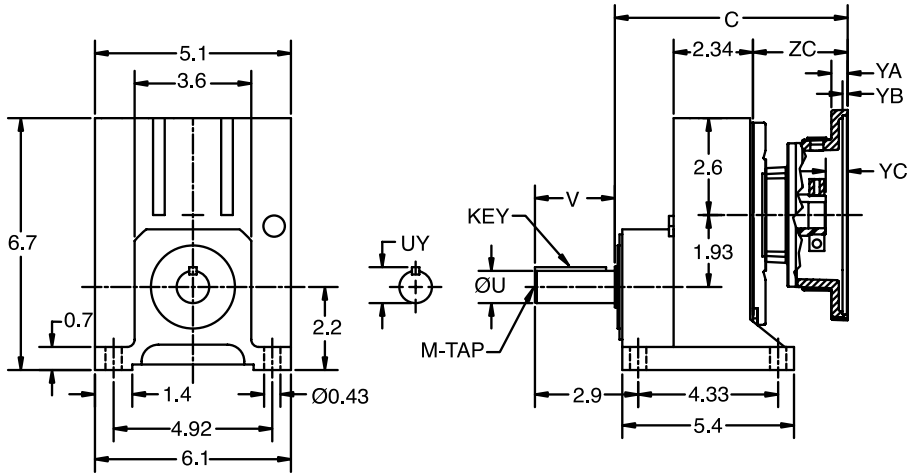
ILH

RHB

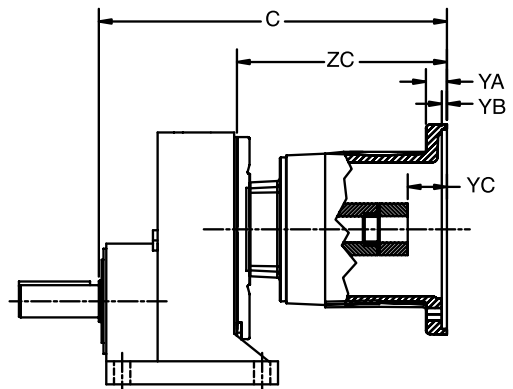
MSM

IN-LINE HELICAL GEAR REDUCER (ILH) NEMA C-Face - Foot Mounted - Clamp Collar / 3 Piece Coupled Single Reduction

SIZE: HB38

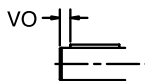


CLAMP COLLAR



THREE-PIECE COUPLED

METRIC OUTPUT SHAFT



<p>NOMENCLATURE PAGE ILH-4</p>	<p>MOUNTING POSITIONS PAGE ILH-7</p>	<p>STOCK/NON-STOCK PART NUMBERS PAGE ILH-67</p>	<p>WEIGHTS PAGE ILH-343</p>
------------------------------------	--	---	---------------------------------

DIMENSIONS



IN-LINE HELICAL GEAR REDUCER (ILH) NEMA C-Face - Foot Mounted - Clamp Collar / 3 Piece Coupled Single Reduction

SIZE: HB38

Standard Output Shaft			Dimension - Inch/MM			
ØU	tol.	UY	V	VO	KEY	M-TAP x DEPTH
0.875	+0.000 -0.001	0.95	2.24	-	3/16 x 3/16 x 1.50	5/16-18 UNC
20	+0.015 +0.002	22.5	40	5	6 x 6 x 30	M6 x 16

NEMA Motor Adapter - Clamp Collar			Dimension - Inch		
	H38 Single		YA	YB	YC
	C	ZC			
56C	7.8	3.5	0.47	0.20	0.67
140TC	8.5	4.2	0.47	0.20	0.67
180TC (J)	8.8	4.5	0.69	0.22	0.93

NEMA Motor Adapter - 3 Piece Coupled			Dimension - Inch		
	H38 Single		YA	YB	YC
	C	ZC			
56C	11.0	6.6	0.55	0.20	1.08
140TC	12.4	8.0	0.55	0.20	1.10

(J) See Footnotes page on inside back cover.

Refer to page Engineering-2 for Input Shaft and Flange details.

QUANTIS

QUANTIS GOLD

ILH

RHB

MSM

NOMENCLATURE PAGE ILH-4	MOUNTING POSITIONS PAGE ILH-7	STOCK/NON-STOCK PART NUMBERS PAGE ILH-67	WEIGHTS PAGE ILH-343
----------------------------	----------------------------------	---	-------------------------

DIMENSIONS



QUANTIS

QUANTIS GOLD

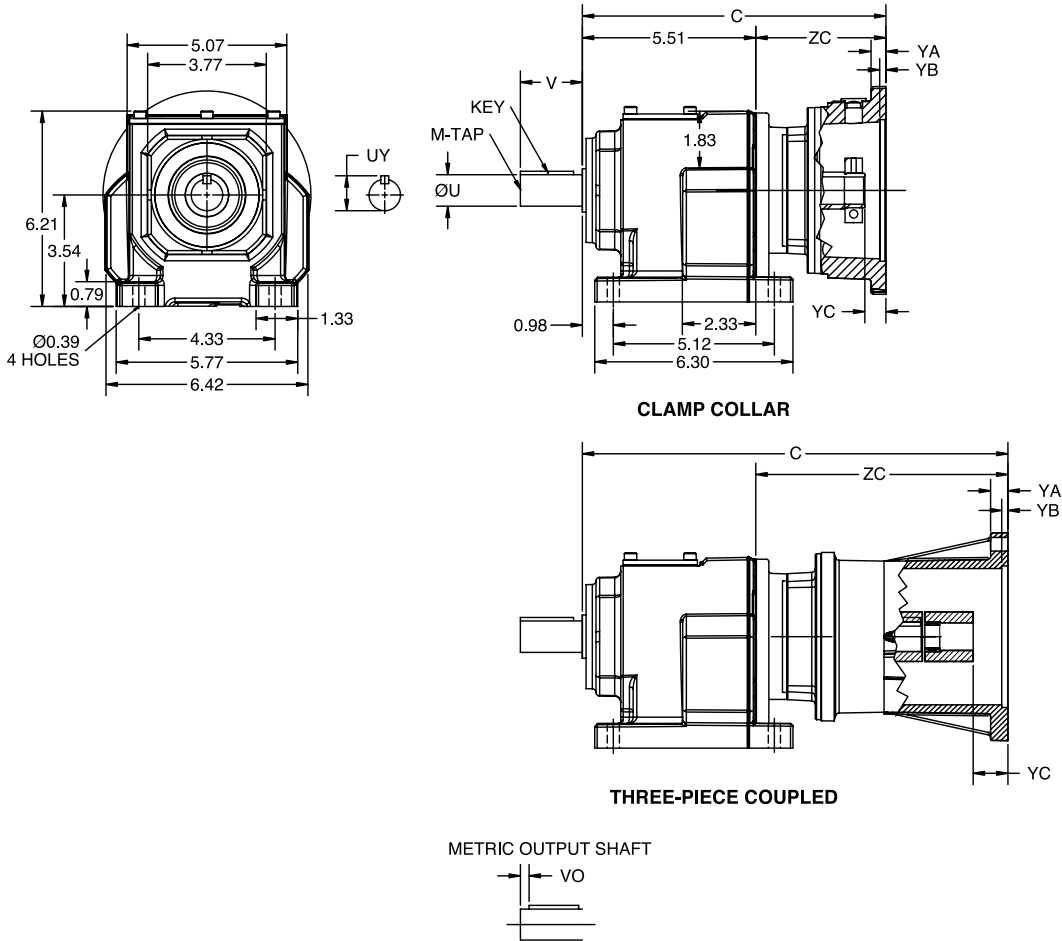
ILH

RHB

MSM

IN-LINE HELICAL GEAR REDUCER (ILH) NEMA C-Face - Foot Mounted - Clamp Collar / 3 Piece Coupled Double/Triple Reduction

SIZE: HB38



NOMENCLATURE PAGE ILH-4	MOUNTING POSITIONS PAGE ILH-7	STOCK/NON-STOCK PART NUMBERS PAGE ILH-67	WEIGHTS PAGE ILH-343
----------------------------	----------------------------------	---	-------------------------

IN-LINE HELICAL GEAR REDUCER (ILH) NEMA C-Face - Foot Mounted - Clamp Collar / 3 Piece Coupled Double/Triple Reduction

SIZE: HB38

Standard Output Shaft						Dimension - Inch/MM
ØU	tol.	UY	V	VO	KEY	M-TAP x DEPTH
1.000	+0.0000 -0.0005	1.11	1.97	-	1/4 x 1/4 x 1-5/8	3/8-16 UNC x 0.87
25	+0.015 +0.002	28	50	7	8 x 7 x 40	M10 x 22

Optional Output Shaft						Dimension - Inch/MM
ØU	tol.	UY	V	VO	KEY	M-TAP x DEPTH
1.250	+0.0000 -0.0005	1.36	2.36	-	1/4 x 1/4 x 2	3/8-16 UNC x 0.87
30	+0.015 +0.002	33	60	7	8 x 7 x 50	M10 x 22

NEMA Motor Adapter - Clamp Collar					Dimension - Inch		
	H38 Double		H38 Triple		YA	YB	YC
	C	ZC	C	ZC			
56C	8.98	3.47	9.57	4.06	0.47	0.20	0.67
140TC	9.65	4.14	10.24	4.73	0.47	0.20	0.67
180TC (J)	9.98	4.47	-	-	0.73	0.22	0.93

NEMA Motor Adapter - 3 Piece Coupled					Dimension - Inch		
	H38 Double		H38 Triple		YA	YB	YC
	C	ZC	C	ZC			
56C	12.11	6.60	12.70	7.19	0.55	0.20	1.08
140TC	13.52	8.01	14.11	8.60	0.55	0.20	1.10

(J) See Footnotes page on inside back cover

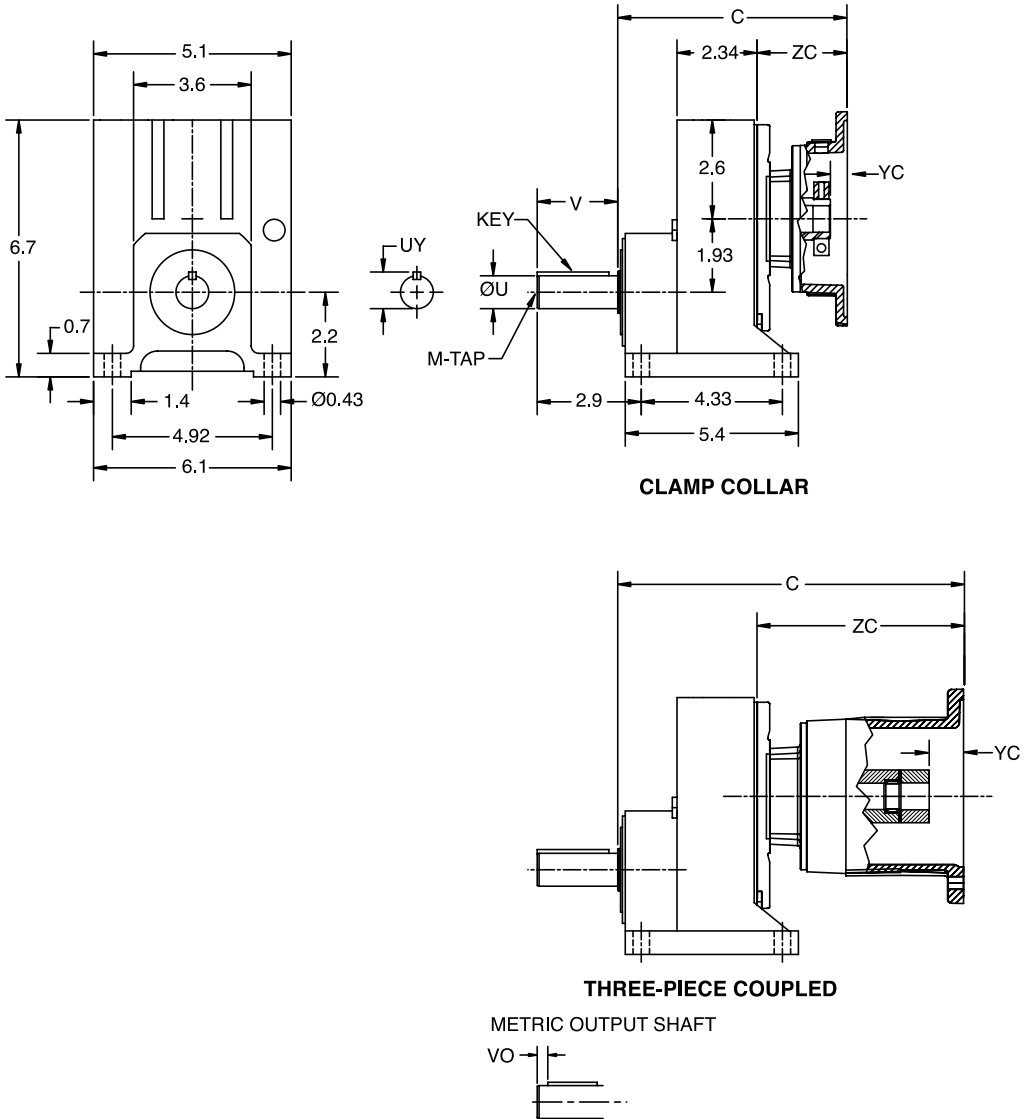
Refer to page Engineering-2 for Input Shaft and Flange details.

NOMENCLATURE PAGE ILH-4	MOUNTING POSITIONS PAGE ILH-7	STOCK/NON-STOCK PART NUMBERS PAGE ILH-67	WEIGHTS PAGE ILH-343
----------------------------	----------------------------------	---	-------------------------

IN-LINE HELICAL GEAR REDUCER (ILH)

SIZE: HB38

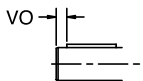
IEC D Flange (B5 Input) - Foot Mounted - Clamp Collar / 3 Piece Coupled
Single Reduction



CLAMP COLLAR

THREE-PIECE COUPLED

METRIC OUTPUT SHAFT



NOMENCLATURE PAGE ILH-4	MOUNTING POSITIONS PAGE ILH-7	STOCK/NON-STOCK PART NUMBERS PAGE ILH-67	WEIGHTS PAGE ILH-343
----------------------------	----------------------------------	---	-------------------------

DIMENSIONS



IN-LINE HELICAL GEAR REDUCER (ILH)

SIZE: HB38

IEC D Flange (B5 Input) - Foot Mounted - Clamp Collar / 3 Piece Coupled
Single Reduction

Standard Output Shaft

Dimension - Inch/MM

ØU	tol.	UY	V	VO	KEY	M-TAP x DEPTH
0.875	+0.000 -0.001	0.95	2.24	-	3/16 x 3/16 x 1.50	5/16-18 UNC
20	+0.015 +0.002	22.5	40	5	6 x 6 x 30	M6 x 16

IEC Motor Adapter - Clamp Collar

Dimension - Inch

	H38 Single		YC
	C	ZC	
71D	7.1	2.8	0.16
80D	8.1	3.7	0.61
90D	8.1	3.7	0.61
100D (J)	8.4	4.0	0.28

IEC Motor Adapter - 3 Piece Coupled

Dimension - Inch

	H38 Single		YC
	C	ZC	
80D	12.3	8.0	0.59
90D	12.3	8.0	1.02
100D (J)	13.2	8.8	1.18

(J) See Footnote page on inside back cover.

Refer to page Engineering-3 for Input Shaft and Flange details.

QUANTIS

QUANTIS GOLD

ILH

RHB

MSM

NOMENCLATURE PAGE ILH-4	MOUNTING POSITIONS PAGE ILH-7	STOCK/NON-STOCK PART NUMBERS PAGE ILH-67	WEIGHTS PAGE ILH-343
----------------------------	----------------------------------	---	-------------------------

DIMENSIONS



QUANTIS

QUANTIS GOLD

ILH

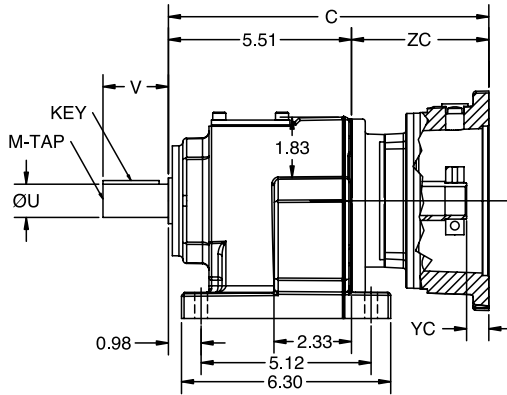
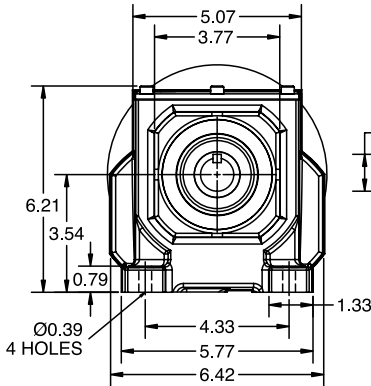
RHB

MSM

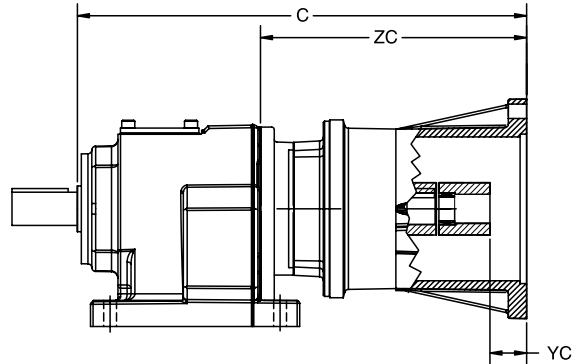
IN-LINE HELICAL GEAR REDUCER (ILH)

SIZE: HB38

IEC D Flange (B5 Input) - Foot Mounted - Clamp Collar / 3 Piece Coupled
Double/Triple Reduction

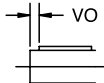


CLAMP COLLAR



THREE-PIECE COUPLED

METRIC OUTPUT SHAFT



NOMENCLATURE
PAGE ILH-4

MOUNTING POSITIONS
PAGE ILH-7

STOCK/NON-STOCK PART NUMBERS
PAGE ILH-67

WEIGHTS
PAGE ILH-343

DIMENSIONS



IN-LINE HELICAL GEAR REDUCER (ILH)

SIZE: HB38

IEC D Flange (B5 Input) - Foot Mounted - Clamp Collar / 3 Piece Coupled
Double/Triple Reduction

Standard Output Shaft					Dimension - Inch/MM	
ØU	tol.	UY	V	VO	KEY	M-TAP x DEPTH
1.000	+0.0000 -0.0005	1.11	1.97	-	1/4 x 1/4 x 1-5/8	3/8-16 UNC x 0.87
25	+0.015 +0.002	28	50	7	8 x 7 x 40	M10 x 22

Optional Output Shaft					Dimension - Inch/MM	
ØU	tol.	UY	V	VO	KEY	M-TAP x DEPTH
1.250	+0.0000 -0.0005	1.36	2.36	-	1/4 x 1/4 x 2	3/8-16 UNC x 0.87
30	+0.015 +0.002	33	60	7	8 x 7 x 50	M10 x 22

	H38 Double				H38 Triple		YC
	C		ZC		C		
	C	ZC	C	ZC	C	ZC	
71D	8.27	2.76	8.86	3.35	0.16		
80D (J)	9.21	3.70	9.80	4.29	0.61		
90D (J)	9.21	3.70	9.80	4.29	0.61		
100D (J)	9.51	4.00	-	-	0.28		

	H38 Double				H38 Triple		YC
	C		ZC		C		
	C	ZC	C	ZC	C	ZC	
80D (J)	13.44	7.93	14.04	8.53	0.59		
90D (J)	13.44	7.93	14.04	8.53	1.02		
100D (J)	14.33	8.82	-	-	1.18		

(J) See Footnotes page on inside back cover.

Refer to page Engineering-3 for Input Shaft and Flange details.

NOMENCLATURE PAGE ILH-4	MOUNTING POSITIONS PAGE ILH-7	STOCK/NON-STOCK PART NUMBERS PAGE ILH-67	WEIGHTS PAGE ILH-343
----------------------------	----------------------------------	---	-------------------------

DIMENSIONS



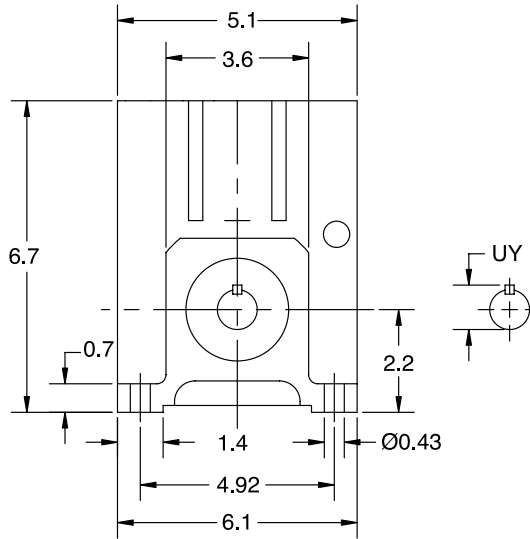
QUANTIS

IN-LINE HELICAL GEAR REDUCER (ILH)

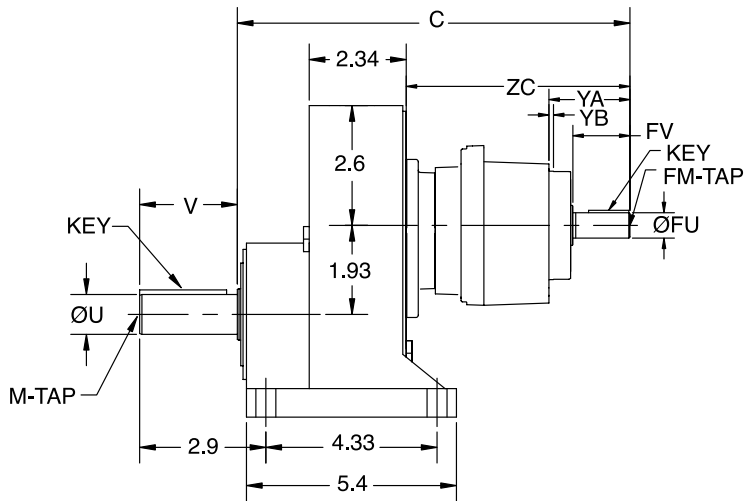
SIZE: HB38

Separate - Foot Mounted
Single Reduction

QUANTIS GOLD

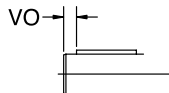


ILH



RHB

METRIC OUTPUT SHAFT



METRIC INPUT SHAFT



MSM

NOMENCLATURE
PAGE ILH-4

MOUNTING POSITIONS
PAGE ILH-7

STOCK/NON-STOCK PART NUMBERS
PAGE ILH-67

WEIGHTS
PAGE ILH-343

DIMENSIONS



IN-LINE HELICAL GEAR REDUCER (ILH)

SIZE: HB38

Separate - Foot Mounted
Single Reduction

Standard Output Shaft

Dimension - Inch/MM

ØU	tol.	UY	V	VO	KEY	M-TAP x DEPTH
0.875	+0.000 -0.001	0.95	2.24	-	3/16 x 3/16 x 1.50	5/16-18 UNC
20	+0.015 +0.002	22.5	40	5	6 x 6 x 30	M6 x 16

Separate Input

Dimension - Inch/MM

	H38 Single		FO	FM x Depth	ØFU	tol.	FV	YA	YB	KEY
	C	ZC								
71	10.3	6.0	-	8-32 UNC x 0.49	0.625	+0.0000 -0.0005	1.57	2.4	0.16	3/16 x 3/16 x 1-5/16
	261	151	4	M5 x 12.5	16	+0.012 +0.001	40			5 x 5 x 32
80	11.7	7.3	-	1/4-20 UNC x 0.63	0.75	+0.0000 -0.0005	1.57	2.4	0.16	3/16 x 3/16 x 1-5/16
	296	186	4	M6 x 16	19	+0.015 +0.002	40			6 x 6 x 32
90	12.1	7.7	-	5/16-18 UNC x 0.75	0.875	+0.0000 -0.0005	1.97	2.8	0.16	3/16 x 3/16 x 1-5/8
	306	196	5	M8 x 19	24	+0.015 +0.002	50			8 x 7 x 40
100	12.7	8.4	-	3/8-16 UNC x 0.87	1.125	+0.0000 -0.0005	2.36	3.27	0.16	1/4 x 1/4 x 2
	322	212	5	M10 x 22	28	+0.015 +0.002	60			8 x 7 x 50

Refer to page Engineering-4 for Input Shaft and Flange details.

NOMENCLATURE PAGE ILH-4	MOUNTING POSITIONS PAGE ILH-7	STOCK/NON-STOCK PART NUMBERS PAGE ILH-67	WEIGHTS PAGE ILH-343
----------------------------	----------------------------------	---	-------------------------

DIMENSIONS



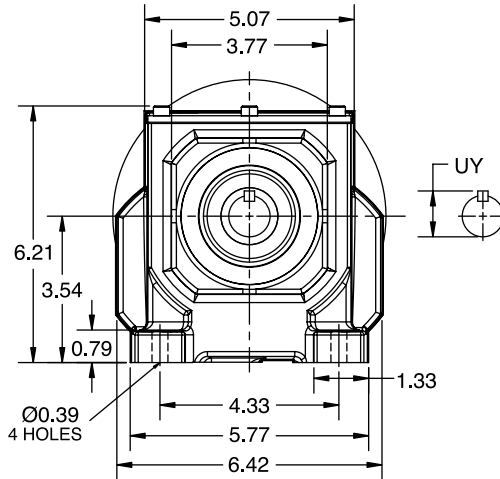
QUANTIS

IN-LINE HELICAL GEAR REDUCER (ILH)

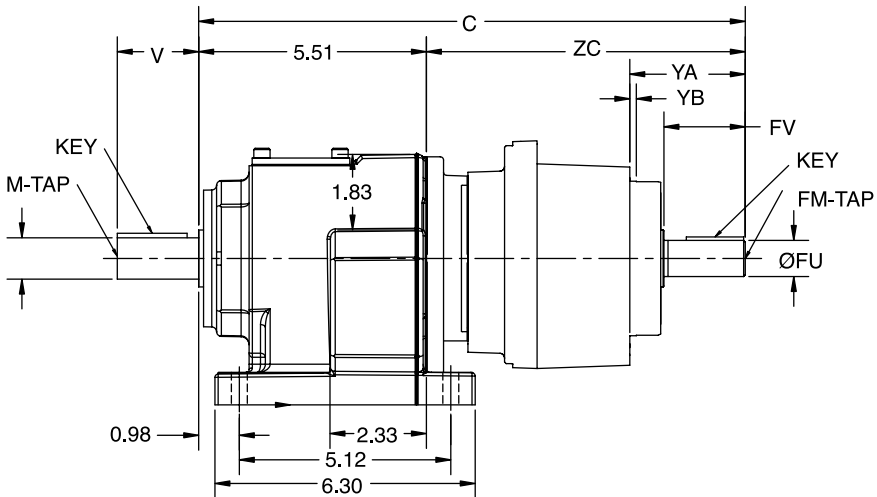
SIZE: HB38

Separate - Foot Mounted
Double/Triple Reduction

QUANTIS GOLD

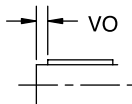


ILH

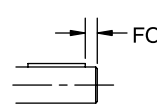


RHB

METRIC OUTPUT SHAFT



METRIC INPUT SHAFT



MSM

NOMENCLATURE
PAGE ILH-4

MOUNTING POSITIONS
PAGE ILH-7

STOCK/NON-STOCK PART NUMBERS
PAGE ILH-67

WEIGHTS
PAGE ILH-343

DIMENSIONS



IN-LINE HELICAL GEAR REDUCER (ILH)

SIZE: HB38

Separate - Foot Mounted
Double/Triple Reduction

Standard Output Shaft					Dimension - Inch/MM	
ØU	tol.	UY	V	VO	KEY	M-TAP x DEPTH
1.000	+0.0000 -0.0005	1.11	1.97	-	1/4 x 1/4 x 1-5/8	3/8-16 UNC x 0.87
25	+0.015 +0.002	28	50	7	8 x 7 x 40	M10 x 22

Optional Output Shaft					Dimension - Inch/MM	
ØU	tol.	UY	V	VO	KEY	M-TAP x DEPTH
1.250	+0.0000 -0.0005	1.36	2.36	-	1/4 x 1/4 x 2	3/8-16 UNC x 0.87
30	+0.015 +0.002	33	60	7	8 x 7 x 50	M10 x 22

Separate Input					Dimension - Inch/MM							
	H38 Double		H38 Triple		FO	FM x Depth	ØFU	tol.	FV	YA	YB	KEY
	C	ZC	C	ZC								
71	11.46	5.95	12.05	6.54	-	8-32 UNC x 0.49	0.625	+0.0000 -0.0005	1.57	2.40	0.16	3/16 x 3/16 x 1-5/16
	291	151	306	166	4	M5 x 12.5	16	+0.012 +0.001	40			5 x 5 x 32
80	12.83	7.32	13.43	7.92	-	1/4-20 UNC x 0.63	0.750	+0.0000 -0.0005	1.57	2.40	0.16	3/16 x 3/16 x 1-5/16
	326	186	341	201	4	M6 x 16	19	+0.015 +0.002	40			6 x 6 x 32
90	13.23	7.72	13.82	8.31	-	5/16-18 UNC x 0.75	0.875	+0.0000 -0.0005	1.97	2.80	0.16	3/16 x 3/16 x 1-5/8
	336	196	351	211	5	M8 x 19	24	+0.015 +0.002	50			8 x 7 x 40
100	13.86	8.35	-	-	-	3/8-16 x UNC x 0.87	1.125	+0.0000 -0.0005	2.36	3.27	0.16	1/4 x 1/4 x 2
	352	212	-	-	5	M10 x 22	28	+0.015 +0.002	60			8 x 7 x 50

Refer to page Engineering-4 for Input Shaft and Flange details.

NOMENCLATURE PAGE ILH-4	MOUNTING POSITIONS PAGE ILH-7	STOCK/NON-STOCK PART NUMBERS PAGE ILH-67	WEIGHTS PAGE ILH-343
----------------------------	----------------------------------	---	-------------------------

DIMENSIONS



QUANTIS

QUANTIS GOLD

ILH

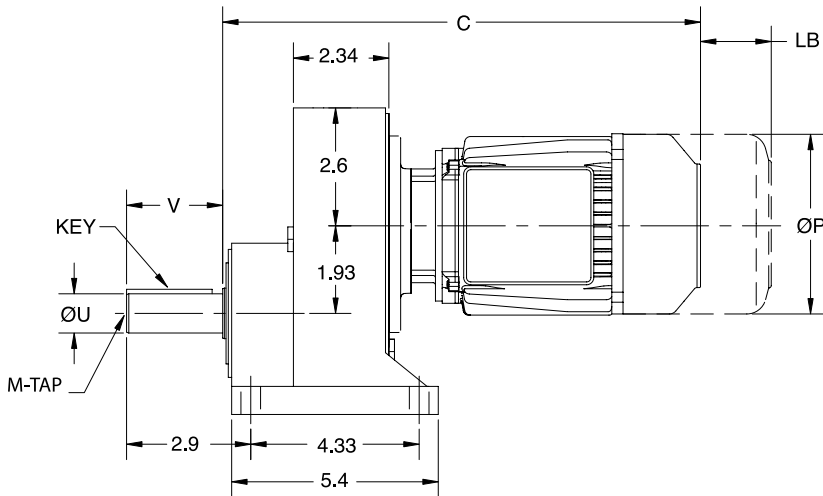
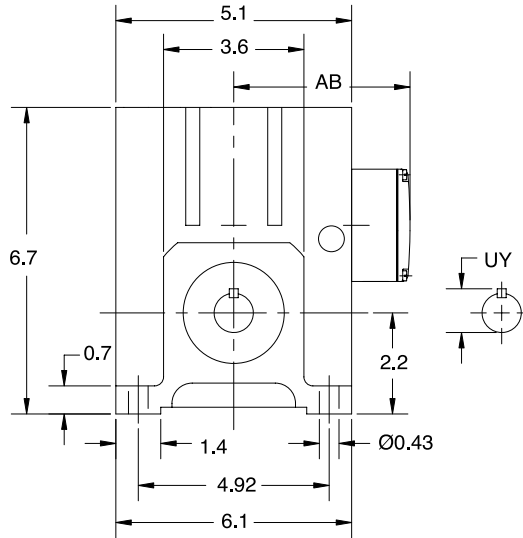
RHB

MSM

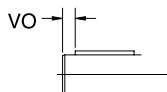
IN-LINE HELICAL GEAR REDUCER (ILH)

SIZE: HB38

Integral Gearmotor - Foot Mounted
Single Reduction



METRIC OUTPUT SHAFT



NOMENCLATURE PAGE ILH-4	MOUNTING POSITIONS PAGE ILH-7	STOCK/NON-STOCK PART NUMBERS PAGE ILH-67	WEIGHTS PAGE ILH-343
----------------------------	----------------------------------	---	-------------------------

DIMENSIONS



IN-LINE HELICAL GEAR REDUCER (ILH) Integral Gearmotor - Foot Mounted Single Reduction

SIZE: HB38

Standard Output Shaft

Dimension - Inch/MM

ØU	tol.	UY	V	VO	KEY	M-TAP x DEPTH
0.875	+0.000 -0.001	0.95	2.24	-	3/16 x 3/16 x 1.50	5/16-18 UNC
20	+0.015 +0.002	22.5	40	5	6 x 6 x 30	M6 x 16

Motor

Dimension - Inch/MM

FFrame	H38 Single		P	AB
	C	LB		
71C4 / 71D4 / 71E4	14.89	1.81	6.19	5.18
	379	46	158	132
80F4	15.05	2.56	6.19	5.12
	383	65	158	131
80G4	16.55	2.56	6.19	5.12
	421	65	158	131
90H4	16.53	2.52	7.19	5.79
	420	64	183	148
90I4	17.33	2.52	7.19	5.79
	441	64	183	148
100J4 (J)	19.42	2.91	7.19	5.79
	494	74	183	148

(J) See Footnote page on inside back cover.

QUANTIS

QUANTIS GOLD

ILH

RHB

MSM

NOMENCLATURE PAGE ILH-4	MOUNTING POSITIONS PAGE ILH-7	STOCK/NON-STOCK PART NUMBERS PAGE ILH-67	WEIGHTS PAGE ILH-343
----------------------------	----------------------------------	---	-------------------------

DIMENSIONS



QUANTIS

QUANTIS GOLD

ILH

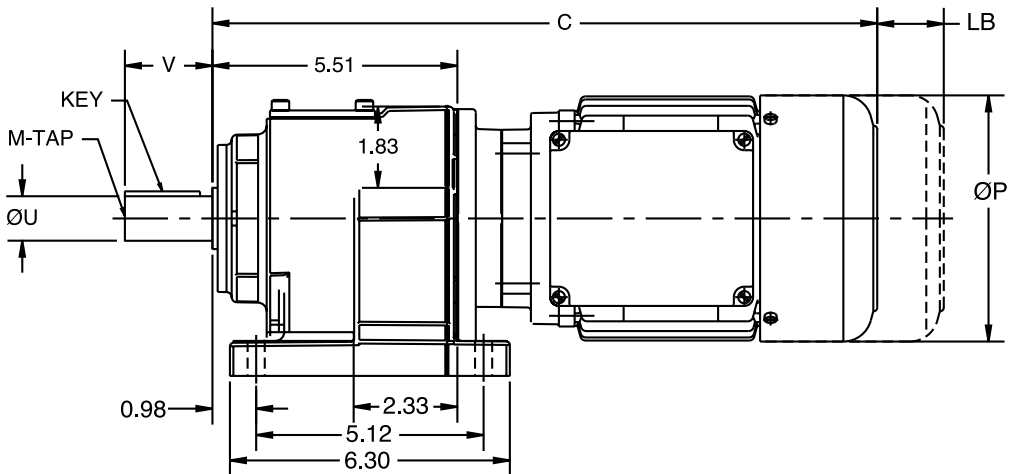
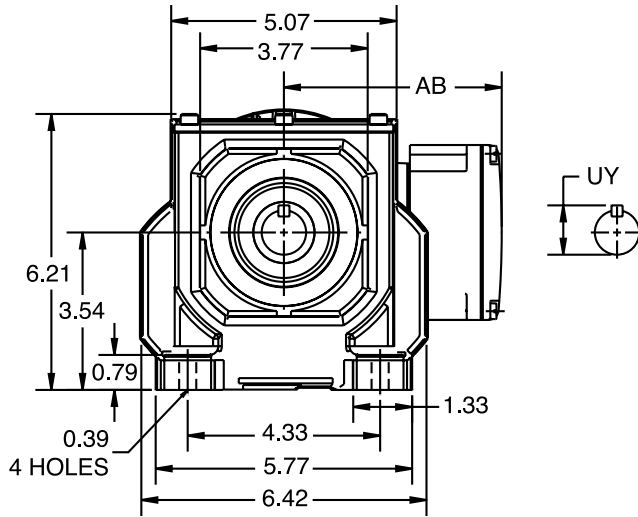
RHB

MSM

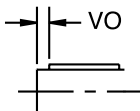
IN-LINE HELICAL GEAR REDUCER (ILH)

SIZE: HB38

Integral Gearmotor - Foot Mounted
Double/Triple Reduction



METRIC OUTPUT SHAFT



NOMENCLATURE
PAGE ILH-4

MOUNTING POSITIONS
PAGE ILH-7

STOCK/NON-STOCK PART NUMBERS
PAGE ILH-67

WEIGHTS
PAGE ILH-343

IN-LINE HELICAL GEAR REDUCER (ILH)

SIZE: HB38

Integral Gearmotor - Foot Mounted

Double/Triple Reduction

Standard Output Shaft

Dimension - Inch/MM

ØU	tol.	UY	V	VO	KEY	M-TAP x DEPTH
1.000	+0.0000 -0.0005	1.11	1.97	-	1/4 x 1/4 x 1-5/8	3/8-16 UNC x 0.87
25	+0.015 +0.002	28	50	7	8 x 7 x 40	M10 x 22

Optional Output Shaft

Dimension - Inch/MM

ØU	tol.	UY	V	VO	KEY	M-TAP x DEPTH
1.250	+0.0000 -0.0005	1.36	2.36	-	1/4 x 1/4 x 2	3/8-16 UNC x 0.87
30	+0.015 +0.002	33	60	7	8 x 7 x 50	M10 x 22

Motor

Dimension - Inch/MM

Frame	H38 Double		H38 Triple		P	AB
	C	LB	C	LB		
71C4 / 71D4 / 71E4	16.06	1.81	16.65	1.81	6.19	5.18
	408	46	423	46	158	132
80F4	16.2	2.56	16.79	2.56	6.19	5.12
	412	65	427	65	158	131
80G4	17.7	2.56	18.35	2.56	6.19	5.12
	450	65	467	65	158	131
90H4	17.63	2.52	18.22	2.52	7.19	5.79
	448	64	463	64	183	148
90I4	18.51	2.52	19.1	2.52	7.19	5.79
	47.1	64	486	64	183	148
100J4 (J)	20.51	2.91	-	-	7.19	5.79
	521	74	-	-	183	148

(J) See Footnotes page on inside back cover

NOMENCLATURE PAGE ILH-4	MOUNTING POSITIONS PAGE ILH-7	STOCK/NON-STOCK PART NUMBERS PAGE ILH-67	WEIGHTS PAGE ILH-343
----------------------------	----------------------------------	---	-------------------------

DIMENSIONS



QUANTIS

QUANTIS GOLD

ILH

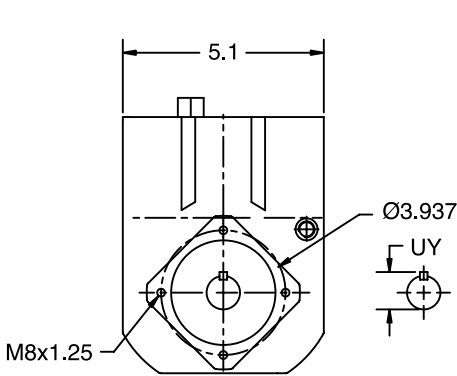
RHB

MSM

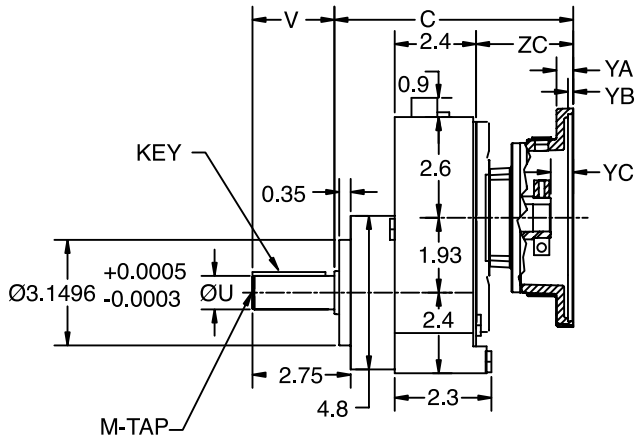
IN-LINE HELICAL GEAR REDUCER (ILH)

SIZE: HF38

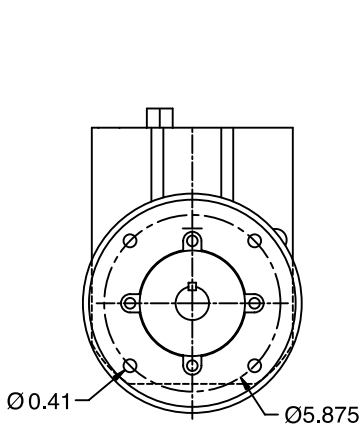
NEMA C-Face - Flange Mounted (B5 / B14 / NEMA) - Clamp Collar / 3 Piece Coupled
Single Reduction



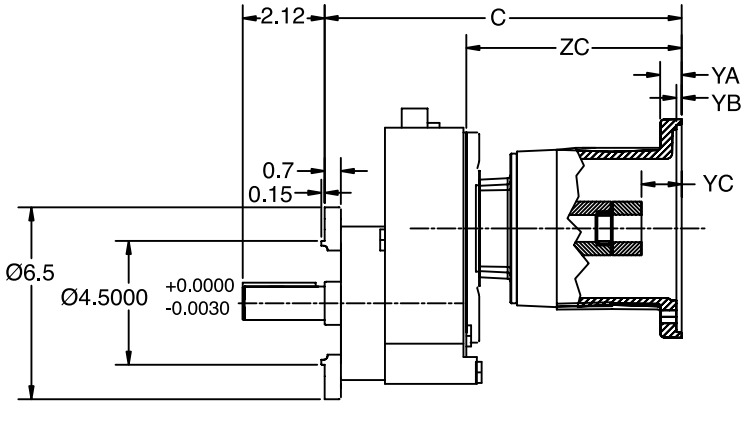
**B14 OUTPUT FLANGE -
Ø120mm**



CLAMP COLLAR



NEMA 140TC OUTPUT FLANGE



THREE-PIECE COUPLED

NOMENCLATURE
PAGE ILH-4

MOUNTING POSITIONS
PAGE ILH-7

STOCK/NON-STOCK PART NUMBERS
PAGE ILH-67

WEIGHTS
PAGE ILH-343

DIMENSIONS



IN-LINE HELICAL GEAR REDUCER (ILH)

SIZE: HF38

NEMA C-Face - Flange Mounted (B5 / B14 / NEMA) - Clamp Collar / 3 Piece Coupled
Single Reduction

Standard Output Shaft

Dimension - Inch/MM

ØU	tol.	UY	V	VO	KEY	M-TAP x DEPTH
0.875	+0.000 -0.001	0.95	2.24	-	3/16 x 3/16 x 1.50	5/16-18 UNC
20	+0.015 +0.002	22.5	40	5	6 x 6 x 30	M6 x 16

NEMA Motor Adapter - Clamp Collar

Dimension - Inch

	H38 Single		YA	YB	YC
	C	ZC			
56C	7.8	3.5	0.47	0.20	0.67
140TC	8.5	4.2	0.47	0.20	0.67
180TC	8.8	4.5	0.69	0.22	0.93

NEMA Motor Adapter - 3 Piece Coupled

Dimension - Inch

	H38 Single		YA	YB	YC
	C	ZC			
56C	11.0	6.6	0.55	0.20	1.08
140TC	12.4	8.0	0.55	0.20	1.10

Refer to page Engineering-2 for Input Shaft and Flange details.

QUANTIS

QUANTIS GOLD

ILH

RHB

MSM

NOMENCLATURE PAGE ILH-4	MOUNTING POSITIONS PAGE ILH-7	STOCK/NON-STOCK PART NUMBERS PAGE ILH-67	WEIGHTS PAGE ILH-343
----------------------------	----------------------------------	---	-------------------------

DIMENSIONS



QUANTIS

QUANTIS GOLD

ILH

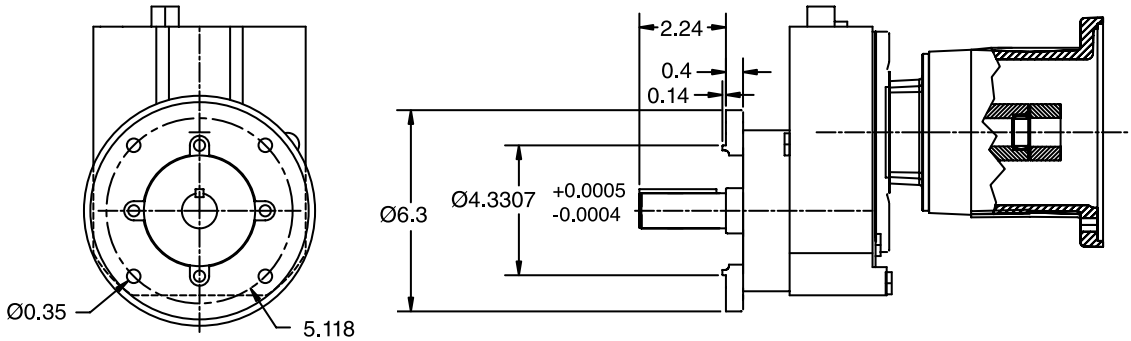
RHB

MSM

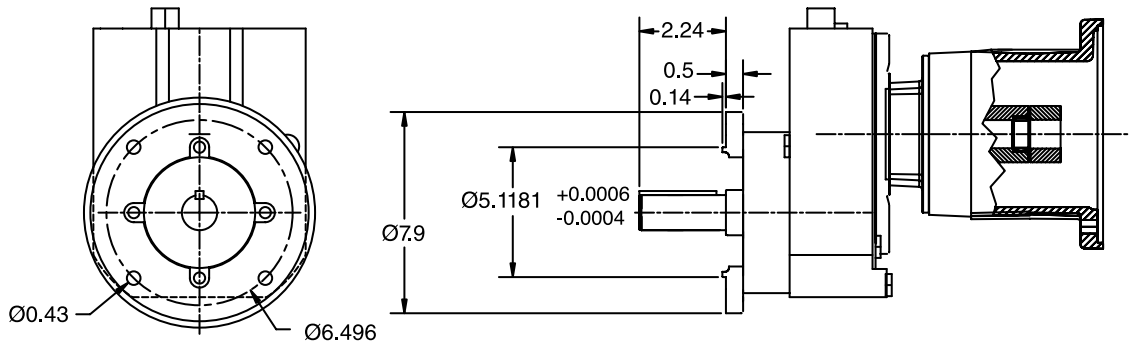
IN-LINE HELICAL GEAR REDUCER (ILH)

SIZE: HF38

NEMA C-Face - Flange Mounted (B5 / B14 / NEMA) - Clamp Collar / 3 Piece Coupled
Single Reduction

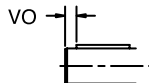


**B5 OUTPUT FLANGE -
Ø160mm**



**B5 OUTPUT FLANGE -
Ø200mm**

METRIC OUTPUT SHAFT



Refer to page ILH-134 for additional dimensions

NOMENCLATURE PAGE ILH-4	MOUNTING POSITIONS PAGE ILH-7	STOCK/NON-STOCK PART NUMBERS PAGE ILH-67	WEIGHTS PAGE ILH-343
----------------------------	----------------------------------	---	-------------------------

DIMENSIONS



IN-LINE HELICAL GEAR REDUCER (ILH)

SIZE: HF38

NEMA C-Face - Flange Mounted (B5 / B14 / NEMA) - Clamp Collar / 3 Piece Coupled
Single Reduction

Standard Output Shaft

Dimension - Inch/MM

ØU	tol.	UY	V	VO	KEY	M-TAP x DEPTH
0.875	+0.000 -0.001	0.95	2.24	-	3/16 x 3/16 x 1.50	5/16-18 UNC
20	+0.015 +0.002	22.5	40	5	6 x 6 x 30	M6 x 16

NEMA Motor Adapter - Clamp Collar

Dimension - Inch

	H38 Single		YA	YB	YC
	C	ZC			
56C	7.8	3.5	0.47	0.20	0.67
140TC	8.5	4.2	0.47	0.20	0.67
180TC	8.8	4.5	0.69	0.22	0.93

NEMA Motor Adapter - 3 Piece Coupled

Dimension - Inch

	H38 Single		YA	YB	YC
	C	ZC			
56C	11.0	6.6	0.55	0.20	1.08
140TC	12.4	8.0	0.55	0.20	1.10

Refer to page Engineering-2 for Input Shaft and Flange details.

QUANTIS

QUANTIS GOLD

ILH

RHB

MSM

NOMENCLATURE PAGE ILH-4	MOUNTING POSITIONS PAGE ILH-7	STOCK/NON-STOCK PART NUMBERS PAGE ILH-67	WEIGHTS PAGE ILH-343
----------------------------	----------------------------------	---	-------------------------

DIMENSIONS



QUANTIS

QUANTIS GOLD

ILH

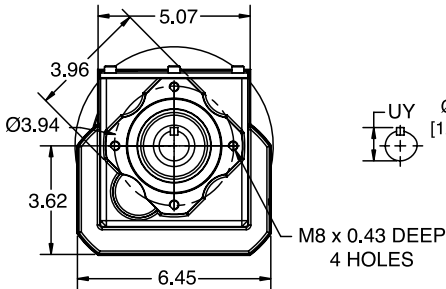
RHB

MSM

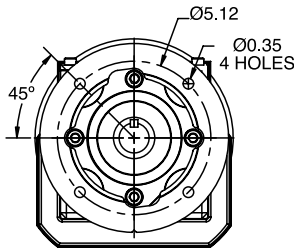
IN-LINE HELICAL GEAR REDUCER (ILH)

SIZE: HF38

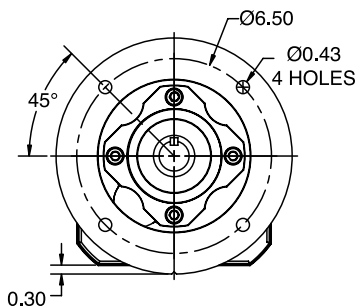
NEMA C-Face - Flange Mounted (B5 / B14) - Clamp Collar / 3 Piece Coupled
Double/Triple Reduction



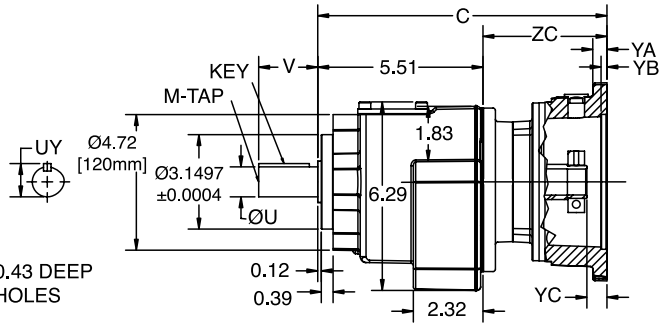
B14 OUTPUT FLANGE -
Ø120mm



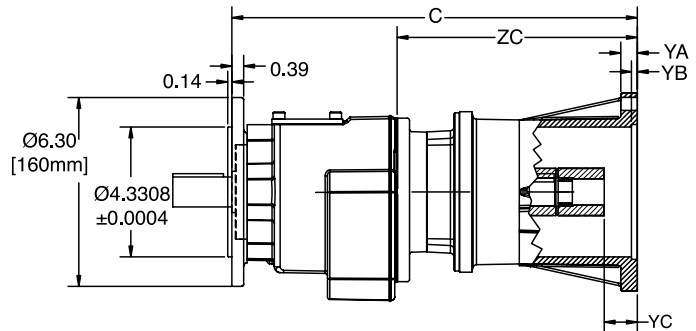
B5 OUTPUT FLANGE -
Ø160mm



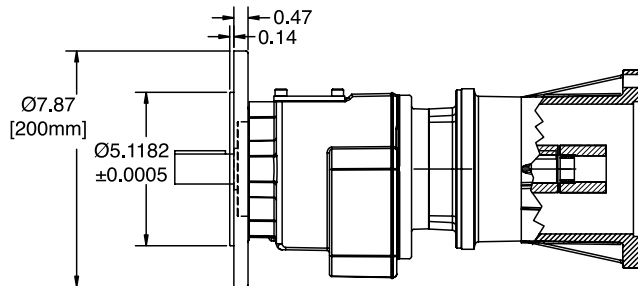
B5 OUTPUT FLANGE -
Ø200mm



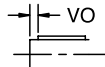
CLAMP COLLAR



THREE-PIECE COUPLED



METRIC OUTPUT SHAFT



NOMENCLATURE PAGE ILH-4	MOUNTING POSITIONS PAGE ILH-7	STOCK/NON-STOCK PART NUMBERS PAGE ILH-67	WEIGHTS PAGE ILH-343
----------------------------	----------------------------------	---	-------------------------

IN-LINE HELICAL GEAR REDUCER (ILH) NEMA C-Face - Flange Mounted (B5 / B14) - Clamp Collar / 3 Piece Coupled Double/Triple Reduction

SIZE: HF38

Standard Output Shaft					Dimension - Inch/MM	
ØU	tol.	UY	V	VO	KEY	M-TAP x DEPTH
1.000	+0.0000 -0.0005	1.11	1.97	-	1/4 x 1/4 x 1-5/8	3/8-16 UNC x 0.87
25	+0.015 +0.002	28	50	7	8 x 7 x 40	M10 x 22

Optional Output Shaft					Dimension - Inch/MM	
ØU	tol.	UY	V	VO	KEY	M-TAP x DEPTH
1.250	+0.0000 -0.0005	1.36	2.36	-	1/4 x 1/4 x 2	3/8-16 UNC x 0.87
30	+0.015 +0.002	33	60	7	8 x 7 x 50	M10 x 22

NEMA Motor Adapter - Clamp Collar					Dimension - Inch		
	H38 Double		H38 Triple		YA	YB	YC
	C	ZC	C	ZC			
56C	8.98	3.47	9.57	4.06	0.47	0.20	0.67
140TC	9.65	4.14	10.24	4.73	0.47	0.20	0.67
180TC	9.98	4.47	-	-	0.73	0.22	0.93

NEMA Motor Adapter - 3 Piece Coupled					Dimension - Inch		
	H38 Double		H38 Triple		YA	YB	YC
	C	ZC	C	ZC			
56C	12.11	6.60	12.70	7.19	0.55	0.20	1.08
140TC	13.52	8.01	14.11	8.60	0.55	0.20	1.10

Refer to page Engineering-2 for Input Shaft and Flange details.

NOMENCLATURE PAGE ILH-4	MOUNTING POSITIONS PAGE ILH-7	STOCK/NON-STOCK PART NUMBERS PAGE ILH-67	WEIGHTS PAGE ILH-343
----------------------------	----------------------------------	---	-------------------------

DIMENSIONS



QUANTIS

QUANTIS GOLD

ILH

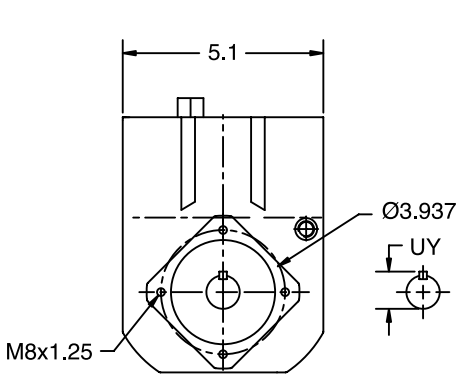
RHB

MSM

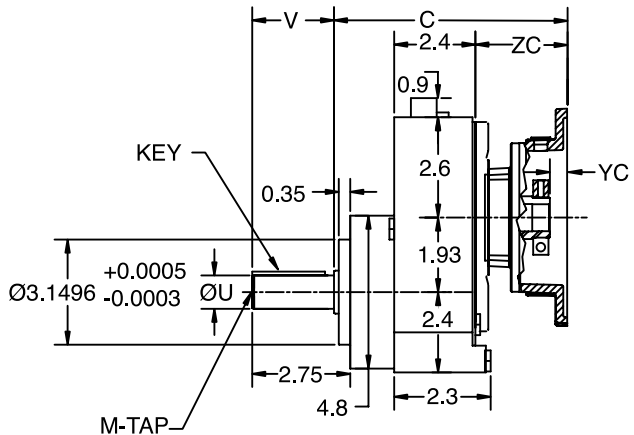
IN-LINE HELICAL GEAR REDUCER (ILH)

SIZE: HF38

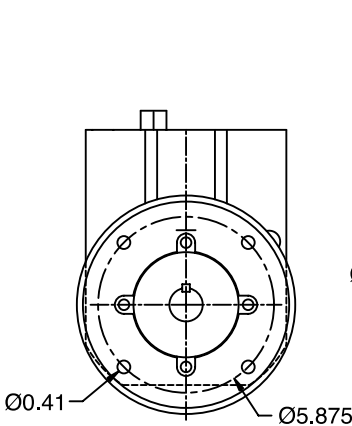
IEC D Flange (B5 Input) - Flange Mounted (B5/B14 / NEMA) - Clamp Collar / 3 Piece Coupled Single Reduction



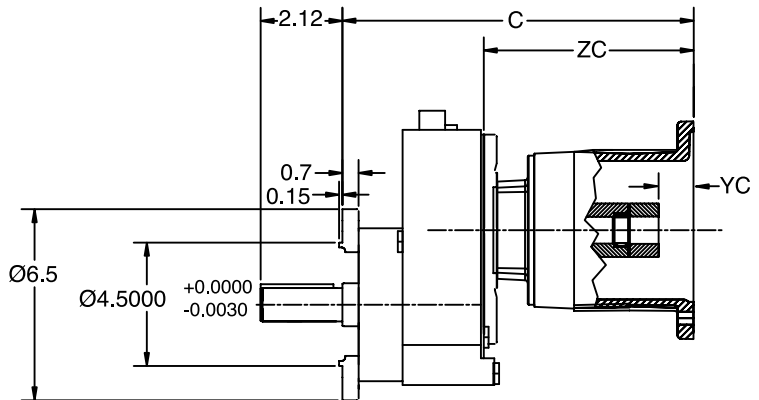
**B14 OUTPUT FLANGE-
Ø120mm**



CLAMP COLLAR



NEMA 140TC OUTPUT FLANGE



THREE-PIECE COUPLED

NOMENCLATURE
PAGE ILH-4

MOUNTING POSITIONS
PAGE ILH-7

STOCK/NON-STOCK PART NUMBERS
PAGE ILH-67

WEIGHTS
PAGE ILH-343

DIMENSIONS



IN-LINE HELICAL GEAR REDUCER (ILH)

SIZE: HF38

IEC D Flange (B5 Input) - Flange Mounted (B5/B14/NEMA) - Clamp Collar / 3 Piece Coupled / Single Reduction

Standard Output Shaft

Dimension - Inch/MM

ØU	tol.	UY	V	VO	KEY	M-TAP x DEPTH
0.875	+0.000 -0.001	0.95	2.24	-	3/16 x 3/16 x 1.50	5/16-18 UNC
20	+0.015 +0.002	22.5	40	5	6 x 6 x 30	M6 x 16

IEC Motor Adapter - Clamp Collar

Dimension - Inch

	H38 Single		YC
	C	ZC	
71D	7.1	2.8	0.16
80D	8.1	3.7	0.61
90D	8.1	3.7	0.61
100D	8.4	4.0	0.28

IEC Motor Adapter - 3 Piece Coupled

Dimension - Inch

	H38 Single		YC
	C	ZC	
80D	12.3	8.0	0.59
90D	12.3	8.0	1.02
100D	13.2	8.8	1.18

Refer to page Engineering-3 for Input Shaft and Flange details.

QUANTIS

QUANTIS GOLD

ILH

RHB

MSM

NOMENCLATURE PAGE ILH-4	MOUNTING POSITIONS PAGE ILH-7	STOCK/NON-STOCK PART NUMBERS PAGE ILH-67	WEIGHTS PAGE ILH-343
----------------------------	----------------------------------	---	-------------------------

DIMENSIONS



QUANTIS

QUANTIS GOLD

ILH

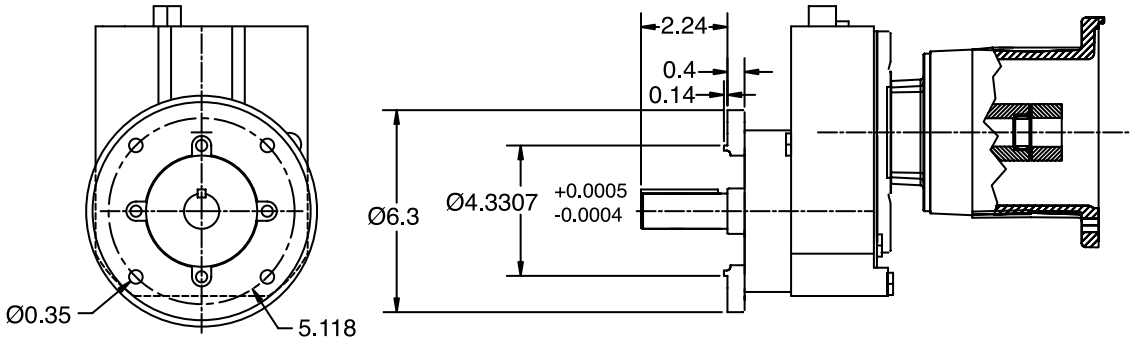
RHB

MSM

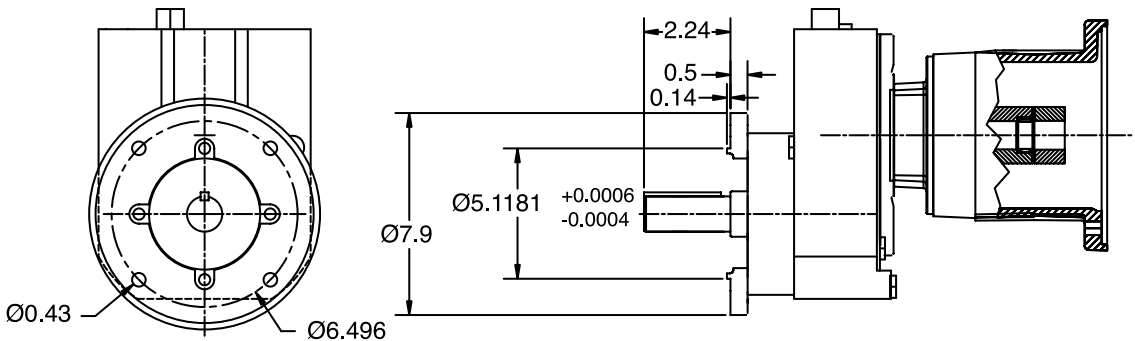
IN-LINE HELICAL GEAR REDUCER (ILH)

SIZE: HF38

IEC D Flange (B5 Input) - Flange Mounted (B5/B14/NEMA) - Clamp Collar / 3 Piece Coupled Single Reduction

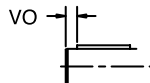


B5 OUTPUT FLANGE - Ø160mm



B5 OUTPUT FLANGE - Ø200mm

METRIC OUTPUT SHAFT



Refer to page ILH-140 for additional dimensions

NOMENCLATURE PAGE ILH-4	MOUNTING POSITIONS PAGE ILH-7	STOCK/NON-STOCK PART NUMBERS PAGE ILH-67	WEIGHTS PAGE ILH-343
----------------------------	----------------------------------	---	-------------------------

DIMENSIONS



IN-LINE HELICAL GEAR REDUCER (ILH)

SIZE: HF38

IEC D Flange (B5 Input) - Flange Mounted (B5/B14/NEMA) - Clamp Collar / 3 Piece Coupled Single Reduction

Standard Output Shaft

Dimension - Inch/MM

ØU	tol.	UY	V	VO	KEY	M-TAP x DEPTH
0.875	+0.000 -0.001	0.95	2.24	-	3/16 x 3/16 x 1.50	5/16-18 UNC
20	+0.015 +0.002	22.5	40	5	6 x 6 x 30	M6 x 16

IEC Motor Adapter - Clamp Collar

Dimension - Inch

	H38 Single		YC
	C	ZC	
71D	7.1	2.8	0.16
80D	8.1	3.7	0.61
90D	8.1	3.7	0.61
100D	8.4	4.0	0.28

IEC Motor Adapter - 3 Piece Coupled

Dimension - Inch

	H38 Single		YC
	C	ZC	
80D	12.3	8.0	0.59
90D	12.3	8.0	1.02
100D	13.2	8.8	1.18

Refer to page Engineering-3 for Input Shaft and Flange details.

QUANTIS

QUANTIS GOLD

ILH

RHB

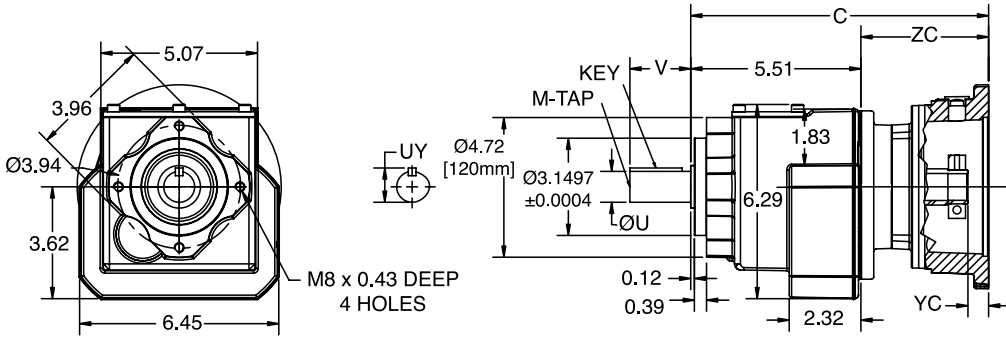
MSM

NOMENCLATURE PAGE ILH-4	MOUNTING POSITIONS PAGE ILH-7	STOCK/NON-STOCK PART NUMBERS PAGE ILH-67	WEIGHTS PAGE ILH-343
----------------------------	----------------------------------	---	-------------------------

IN-LINE HELICAL GEAR REDUCER (ILH)

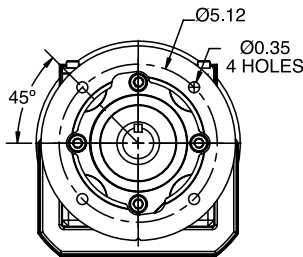
SIZE: HF38

IEC D Flange (B5 Input) - Flange Mounted (B5 / B14) - Clamp Collar / 3 Piece Coupled
Double/Triple Reduction

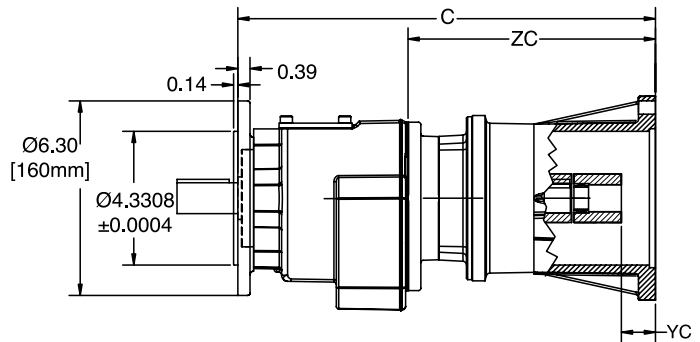


B14 OUTPUT FLANGE -
Ø120mm

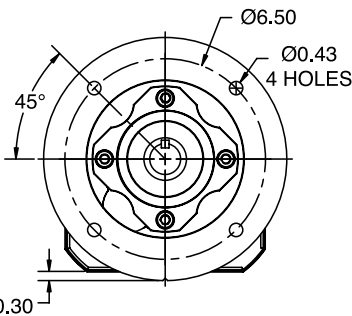
CLAMP COLLAR



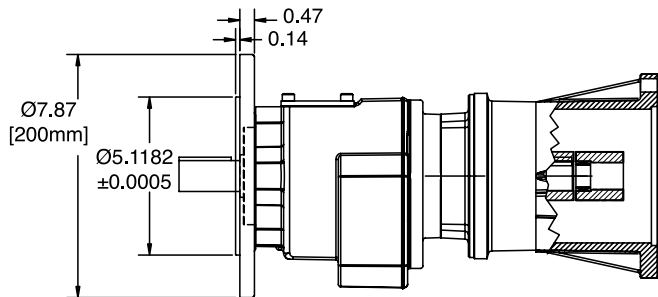
B5 OUTPUT FLANGE -
Ø160mm



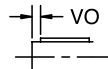
THREE-PIECE COUPLED



B5 OUTPUT FLANGE -
Ø200mm



METRIC OUTPUT SHAFT



NOMENCLATURE PAGE ILH-4	MOUNTING POSITIONS PAGE ILH-7	STOCK/NON-STOCK PART NUMBERS PAGE ILH-67	WEIGHTS PAGE ILH-343
----------------------------	----------------------------------	---	-------------------------

DIMENSIONS



IN-LINE HELICAL GEAR REDUCER (ILH)

SIZE: HF38

IEC D Flange (B5 Input) - Flange Mounted (B5 / B14) - Clamp Collar / 3 Piece Coupled
Double/Triple Reduction

Standard Output Shaft				Dimension - Inch/MM		
ØU	tol.	UY	V	VO	KEY	M-TAP x DEPTH
1.000	+0.0000 -0.0005	1.11	1.97	-	1/4 x 1/4 x 1-5/8	3/8-16 UNC x 0.87
25	+0.015 +0.002	28	50	7	8 x 7 x 40	M10 x 22

Optional Output Shaft				Dimension - Inch/MM		
ØU	tol.	UY	V	VO	KEY	M-TAP x DEPTH
1.250	+0.0000 -0.0005	1.36	2.36	-	1/4 x 1/4 x 2	3/8-16 UNC x 0.87
30	+0.015 +0.002	33	60	7	8 x 7 x 50	M10 x 22

IEC Motor Adapter - Clamp Collar				Dimension - Inch	
	H38 Double		H38 Triple		YC
	C	ZC	C	ZC	
71D	8.27	2.76	8.86	3.35	0.16
80D	9.21	3.70	9.80	4.29	0.61
90D	9.21	3.70	9.80	4.29	0.61
100D	9.51	4.00	-	-	0.28

IEC Motor Adapter - 3 Piece Coupled				Dimension - Inch	
	H38 Double		H38 Triple		YC
	C	ZC	C	ZC	
80D	13.44	7.93	14.04	8.53	0.59
90D	13.44	7.93	14.04	8.53	1.02
100D	14.33	8.82	-	-	1.18

Refer to page Engineering-3 for Input Shaft and Flange details.

NOMENCLATURE PAGE ILH-4	MOUNTING POSITIONS PAGE ILH-7	STOCK/NON-STOCK PART NUMBERS PAGE ILH-67	WEIGHTS PAGE ILH-343
----------------------------	----------------------------------	---	-------------------------

DIMENSIONS



QUANTIS

QUANTIS GOLD

ILH

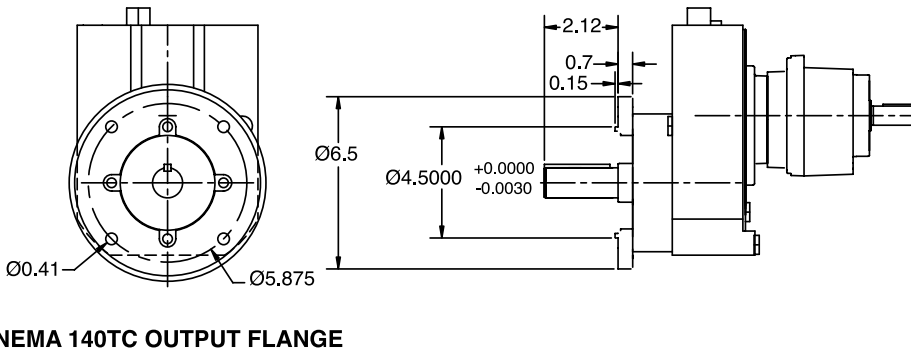
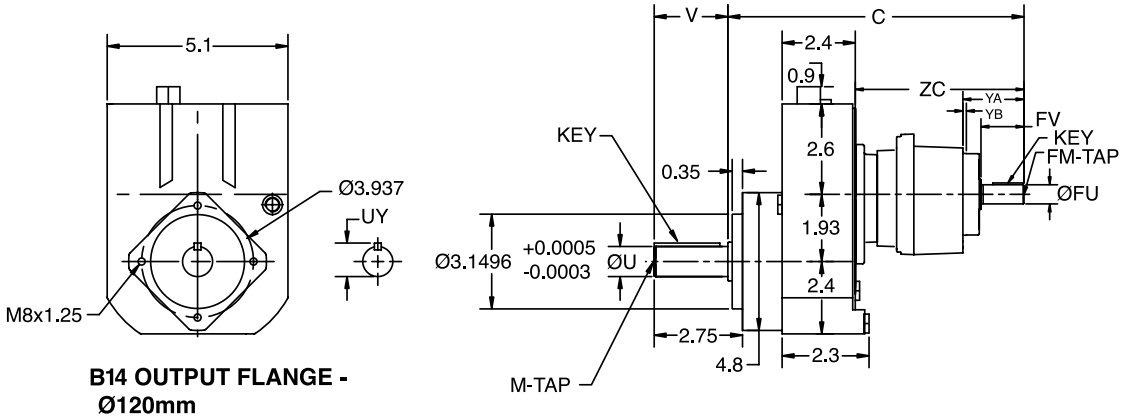
RHB

MSM

IN-LINE HELICAL GEAR REDUCER (ILH)

SIZE: HF38

Separate - Flange Mounted (B5 / B14)
Single Reduction



NOMENCLATURE PAGE ILH-4	MOUNTING POSITIONS PAGE ILH-7	STOCK/NON-STOCK PART NUMBERS PAGE ILH-67	WEIGHTS PAGE ILH-343
----------------------------	----------------------------------	---	-------------------------

DIMENSIONS



IN-LINE HELICAL GEAR REDUCER (ILH) Separate - Flange Mounted (B5 / B14) Single Reduction

SIZE: HF38

Standard Output Shaft

Dimension - Inch/MM

ØU	tol.	UY	V	VO	KEY	M-TAP x DEPTH
0.875	+0.000 -0.001	0.95	2.24	-	3/16 x 3/16 x 1.50	5/16-18 UNC
20	+0.015 +0.002	22.5	40	5	6 x 6 x 30	M6 x 16

Separate Input

Dimension - Inch/MM

	H38 Single		FO	FM x Depth	ØFU	tol.	FV	YA	YB	KEY
	C	ZC								
71	10.3	6.0	-	8-32 UNC x 0.49	0.625	+0.0000 -0.0005	1.57	2.4	0.16	3/16 x 3/16 x 1-5/16
	261	151	4	M5 x 12.5	16	+0.012 +0.001	40			5 x 5 x 32
80	11.7	7.3	-	1/4-20 UNC x 0.63	0.75	+0.0000 -0.0005	1.57	2.4	0.16	3/16 x 3/16 x 1-5/16
	296	186	4	M6 x 16	19	+0.015 +0.002	40			6 x 6 x 32
90	12.1	7.7	-	5/16-18 UNC x 0.75	0.875	+0.0000 -0.0005	1.97	2.8	0.16	3/16 x 3/16 x 1-5/8
	306	196	5	M8 x 19	24	+0.015 +0.002	50			8 x 7 x 40
100	12.7	8.4	-	3/8-16 UNC x 0.87	1.125	+0.0000 -0.0005	2.36	3.27	0.16	1/4 x 1/4 x 2
	322	212	5	M10 x 22	28	+0.015 +0.002	60			8 x 7 x 50

Refer to page Engineering-4 for Input Shaft and Flange details.

NOMENCLATURE PAGE ILH-4	MOUNTING POSITIONS PAGE ILH-7	STOCK/NON-STOCK PART NUMBERS PAGE ILH-67	WEIGHTS PAGE ILH-343
----------------------------	----------------------------------	---	-------------------------

DIMENSIONS



QUANTIS

QUANTIS GOLD

ILH

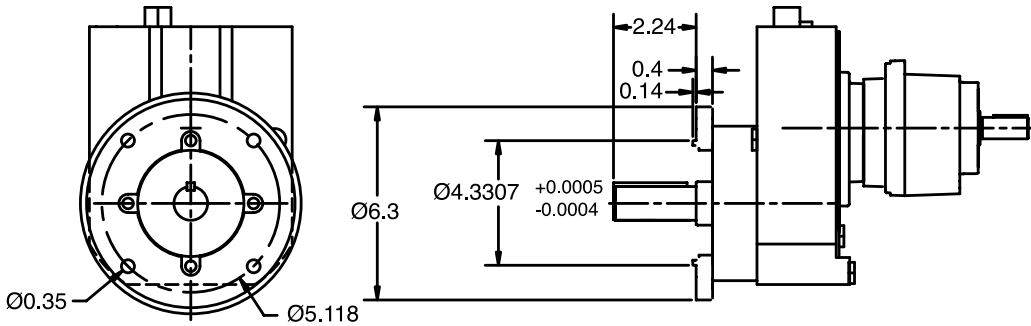
RHB

MSM

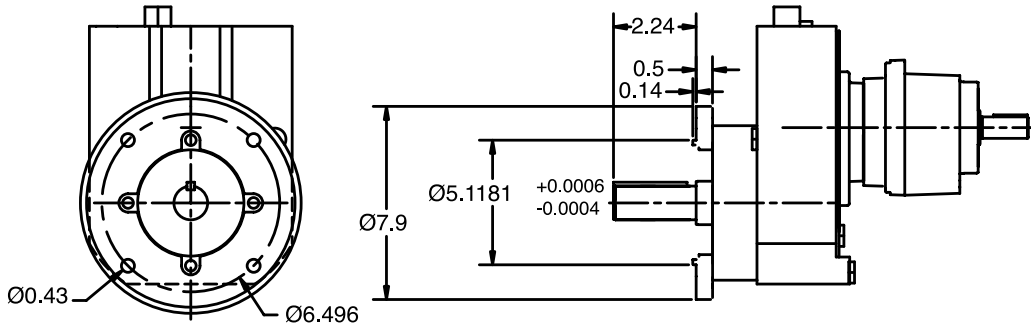
IN-LINE HELICAL GEAR REDUCER (ILH)

SIZE: HF38

Separate - Flange Mounted (B5 / B14)
Single Reduction



**B5 OUTPUT FLANGE -
Ø160mm**

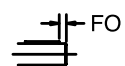


**B5 OUTPUT FLANGE -
Ø200mm**

METRIC OUTPUT SHAFT



METRIC INPUT SHAFT



Refer to page ILH-146 for additional dimensions

NOMENCLATURE PAGE ILH-4	MOUNTING POSITIONS PAGE ILH-7	STOCK/NON-STOCK PART NUMBERS PAGE ILH-67	WEIGHTS PAGE ILH-343
----------------------------	----------------------------------	---	-------------------------

IN-LINE HELICAL GEAR REDUCER (ILH)

SIZE: HF38

Separate - Flange Mounted (B5 / B14)

Single Reduction

Standard Output Shaft

Dimension - Inch/MM

ØU	tol.	UY	V	VO	KEY	M-TAP x DEPTH
0.875	+0.000 -0.001	0.95	2.24	-	3/16 x 3/16 x 1.50	5/16-18 UNC
20	+0.015 +0.002	22.5	40	5	6 x 6 x 30	M6 x 16

Separate Input

Dimension - Inch/MM

	H38 Single		FO	FM x Depth	ØFU	tol.	FV	YA	YB	KEY
	C	ZC								
71	10.3	6.0	-	8-32 UNC x 0.49	0.625	+0.0000 -0.0005	1.57	2.4	0.16	3/16 x 3/16 x 1-5/16
	261	151	4	M5 x 12.5	16	+0.012 +0.001	40			5 x 5 x 32
80	11.7	7.3	-	1/4-20 UNC x 0.63	0.75	+0.0000 -0.0005	1.57	2.4	0.16	3/16 x 3/16 x 1-5/16
	296	186	4	M6 x 16	19	+0.015 +0.002	40			6 x 6 x 32
90	12.1	7.7	-	5/16-18 UNC x 0.75	0.875	+0.0000 -0.0005	1.97	2.8	0.16	3/16 x 3/16 x 1-5/8
	306	196	5	M8 x 19	24	+0.015 +0.002	50			8 x 7 x 40
100	12.7	8.4	-	3/8-16 UNC x 0.87	1.125	+0.0000 -0.0005	2.36	3.27	0.16	1/4 x 1/4 x 2
	322	212	5	M10 x 22	28	+0.015 +0.002	60			8 x 7 x 50

Refer to page Engineering-4 for Input Shaft and Flange details.

NOMENCLATURE PAGE ILH-4	MOUNTING POSITIONS PAGE ILH-7	STOCK/NON-STOCK PART NUMBERS PAGE ILH-67	WEIGHTS PAGE ILH-343
----------------------------	----------------------------------	---	-------------------------

DIMENSIONS



QUANTIS

QUANTIS GOLD

ILH

RHB

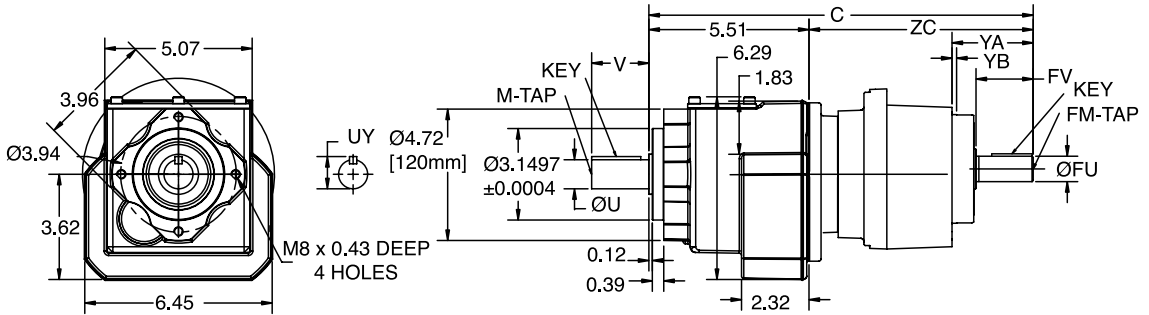
MSM

IN-LINE HELICAL GEAR REDUCER (ILH)

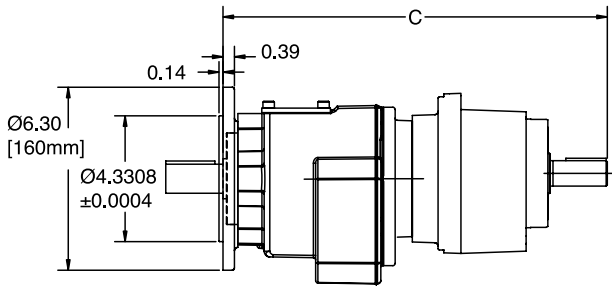
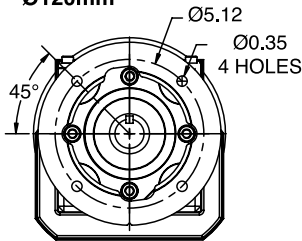
SIZE: HF38

Separate - Flange Mounted (B5 / B14)

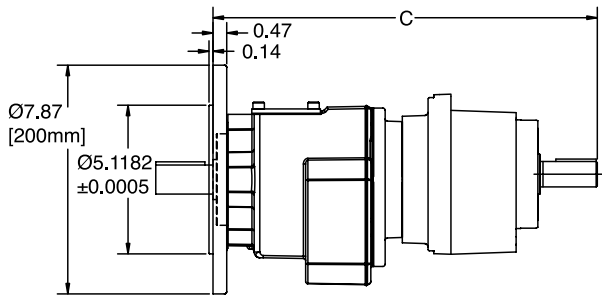
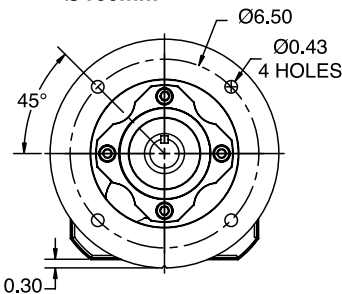
Double/Triple Reduction



**B14 OUTPUT FLANGE -
Ø120mm**

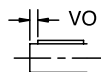


**B5 OUTPUT FLANGE -
Ø160mm**

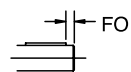


**B5 OUTPUT FLANGE -
Ø200mm**

METRIC OUTPUT SHAFT



METRIC INPUT SHAFT



NOMENCLATURE
PAGE ILH-4

MOUNTING POSITIONS
PAGE ILH-7

STOCK/NON-STOCK PART NUMBERS
PAGE ILH-67

WEIGHTS
PAGE ILH-343

IN-LINE HELICAL GEAR REDUCER (ILH)

SIZE: HF38

Separate - Flange Mounted (B5 / B14)

Double/Triple Reduction

Standard Output Shaft

Dimension - Inch/MM

ØU	tol.	UY	V	VO	KEY	M-TAP x DEPTH
1.000	+0.0000 -0.0005	1.11	1.97	-	1/4 x 1/4 x 1-5/8	3/8-16 UNC x 0.87
25	+0.015 +0.002	28	50	7	8 x 7 x 40	M10 x 22

Optional Output Shaft

Dimension - Inch/MM

ØU	tol.	UY	V	VO	KEY	M-TAP x DEPTH
1.250	+0.0000 -0.0005	1.36	2.36	-	1/4 x 1/4 x 2	3/8-16 UNC x 0.87
30	+0.015 +0.002	33	60	7	8 x 7 x 50	M10 x 22

Separate Input

Dimension - Inch/MM

	H38 Double		H38 Triple		FO	FM x Depth	ØFU	tol.	FV	YA	YB	KEY
	C	ZC	C	ZC								
71	11.46	5.95	12.05	6.54	-	8-32 UNC x 0.49	0.625	+0.0000 -0.0005	1.57	2.40	0.16	3/16 x 3/16 x 1-5/16
	291	151	306	166	4	M5 x 12.5	16	+0.012 +0.001	40			5 x 5 x 32
80	12.83	7.32	13.43	7.92	-	1/4-20 UNC x 0.63	0.750	+0.0000 -0.0005	1.57	2.40	0.16	3/16 x 3/16 x 1-5/16
	326	186	341	201	4	M6 x 16	19	+0.015 +0.002	40			6 x 6 x 32
90	13.23	7.72	13.82	8.31	-	5/16-18 UNC x 0.75	0.875	+0.0000 -0.0005	1.97	2.80	0.16	3/16 x 3/16 x 1-5/8
	336	196	351	211	5	M8 x 19	24	+0.015 +0.002	50			8 x 7 x 40
100	13.86	8.35	-	-	-	3/8-16 x UNC x 0.87	1.125	+0.0000 -0.0005	2.36	3.27	0.16	1/4 x 1/4 x 2
	352	212	-	-	5	M10 x 22	28	+0.015 +0.002	60			8 x 7 x 50

Refer to page Engineering-4 for Input Shaft and Flange details

NOMENCLATURE PAGE ILH-4	MOUNTING POSITIONS PAGE ILH-7	STOCK/NON-STOCK PART NUMBERS PAGE ILH-67	WEIGHTS PAGE ILH-343
----------------------------	----------------------------------	---	-------------------------

DIMENSIONS

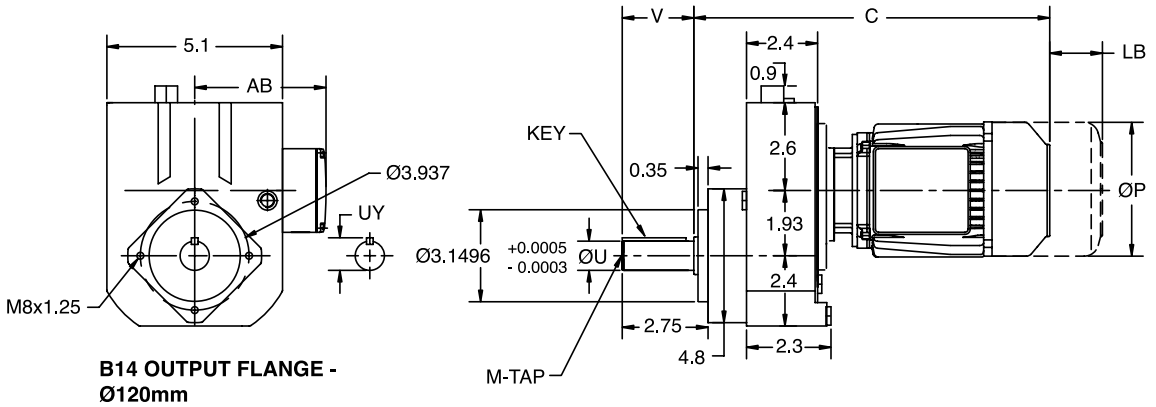


QUANTIS

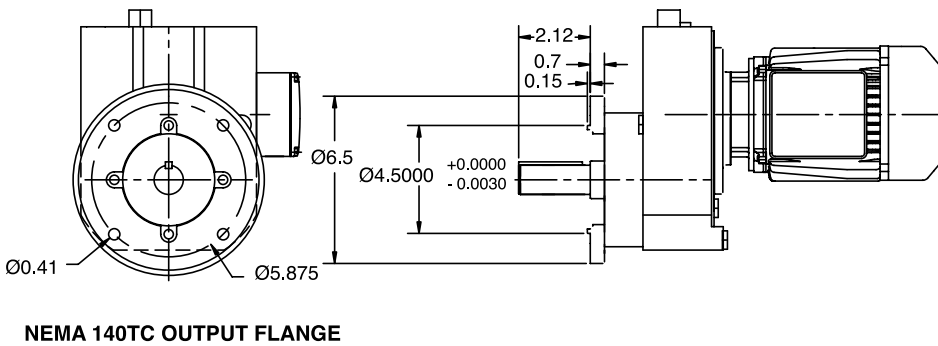
IN-LINE HELICAL GEAR REDUCER (ILH) Integral Gearmotor - Flange Mounted (B5 / B14 / NEMA) Single Reduction

SIZE: HF38

QUANTIS GOLD



ILH



RHB

MSM

NOMENCLATURE PAGE ILH-4	MOUNTING POSITIONS PAGE ILH-7	STOCK/NON-STOCK PART NUMBERS PAGE ILH-67	WEIGHTS PAGE ILH-343
----------------------------	----------------------------------	---	-------------------------

DIMENSIONS



IN-LINE HELICAL GEAR REDUCER (ILH) Integral Gearmotor - Flange Mounted (B5 / B14 / NEMA) Single Reduction

SIZE: HF38

Standard Output Shaft

Dimension - Inch/MM

ØU	tol.	UY	V	VO	KEY	M-TAP x DEPTH
0.875	+0.000 -0.001	0.95	2.24	-	3/16 x 3/16 x 1.50	5/16-18 UNC
20	+0.015 +0.002	22.5	40	5	6 x 6 x 30	M6 x 16

Motor

Dimension - Inch/MM

Frame	H38 Single		P	AB
	C	LB		
71C4 / 71D4 / 71E4	14.89	1.81	6.19	5.18
	379	46	158	132
80F4	15.05	2.56	6.19	5.12
	383	65	158	131
80G4	16.55	2.56	6.19	5.12
	421	65	158	131
90H4	16.53	2.52	7.19	5.79
	420	64	183	148
90I4	17.33	2.52	7.19	5.79
	441	64	183	148
100J4	19.42	2.91	7.19	5.79
	494	74	183	148

NOMENCLATURE
PAGE ILH-4

MOUNTING POSITIONS
PAGE ILH-7

STOCK/NON-STOCK PART NUMBERS
PAGE ILH-67

WEIGHTS
PAGE ILH-343

DIMENSIONS



QUANTIS

QUANTIS GOLD

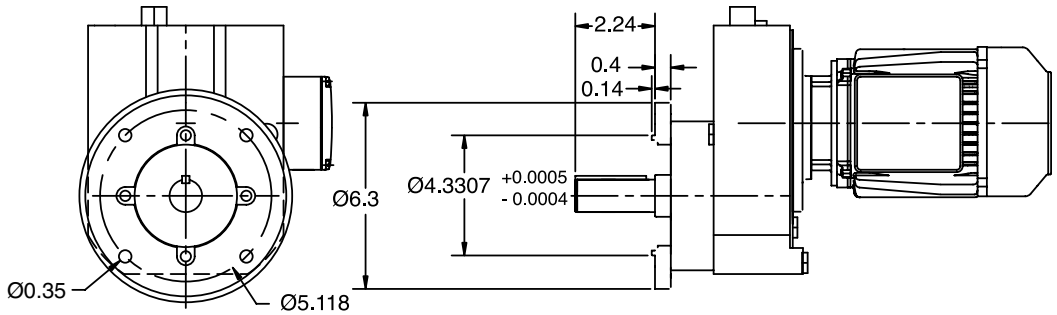
ILH

RHB

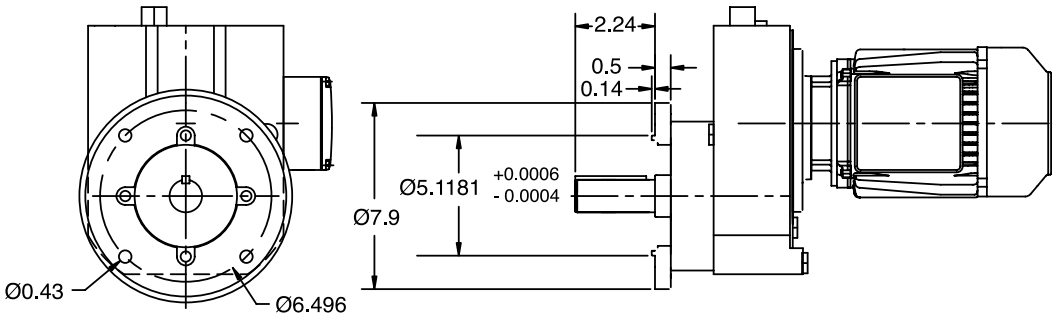
MSM

IN-LINE HELICAL GEAR REDUCER (ILH) Integral Gearmotor - Flange Mounted (B5 / B14 / NEMA) Single Reduction

SIZE: HF38

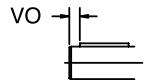


**B5 OUTPUT FLANGE -
Ø160 mm**



**B5 OUTPUT FLANGE -
Ø200 mm**

METRIC OUTPUT SHAFT



Refer to page ILH-152 for additional dimensions

NOMENCLATURE PAGE ILH-4	MOUNTING POSITIONS PAGE ILH-7	STOCK/NON-STOCK PART NUMBERS PAGE ILH-67	WEIGHTS PAGE ILH-343
----------------------------	----------------------------------	---	-------------------------

DIMENSIONS



IN-LINE HELICAL GEAR REDUCER (ILH) Integral Gearmotor - Flange Mounted (B5 / B14 / NEMA) Single Reduction

SIZE: HF38

Standard Output Shaft

Dimension - Inch/MM

ØU	tol.	UY	V	VO	KEY	M-TAP x DEPTH
0.875	+0.000 -0.001	0.95	2.24	-	3/16 x 3/16 x 1.50	5/16-18 UNC
20	+0.015 +0.002	22.5	40	5	6 x 6 x 30	M6 x 16

Motor

Dimension - Inch/MM

Frame	H38 Single		P	AB
	C	LB		
71C4 / 71D4 / 71E4	14.89	1.81	6.19	5.18
	379	46	158	132
80F4	15.05	2.56	6.19	5.12
	383	65	158	131
80G4	16.55	2.56	6.19	5.12
	421	65	158	131
90H4	16.53	2.52	7.19	5.79
	420	64	183	148
90I4	17.33	2.52	7.19	5.79
	441	64	183	148
100J4	19.42	2.91	7.19	5.79
	494	74	183	148

QUANTIS

QUANTIS GOLD

ILH

RHB

MSM

NOMENCLATURE PAGE ILH-4	MOUNTING POSITIONS PAGE ILH-7	STOCK/NON-STOCK PART NUMBERS PAGE ILH-67	WEIGHTS PAGE ILH-343
----------------------------	----------------------------------	---	-------------------------

DIMENSIONS



QUANTIS

QUANTIS GOLD

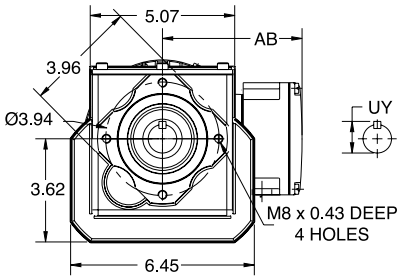
ILH

RHB

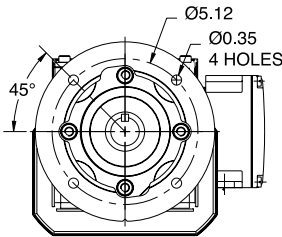
MSM

IN-LINE HELICAL GEAR REDUCER (ILH) Integral Gearmotor - Flange Mounted (B5 / B14) Double/Triple Reduction

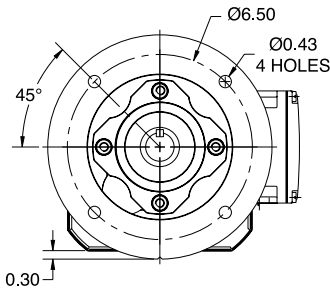
SIZE: HF38



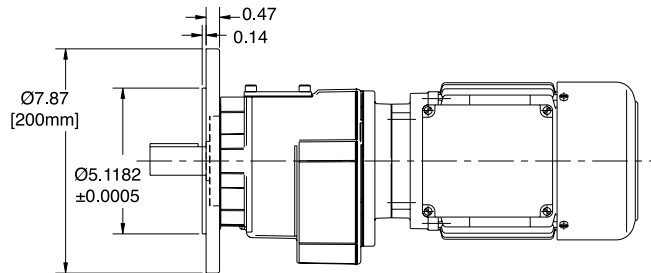
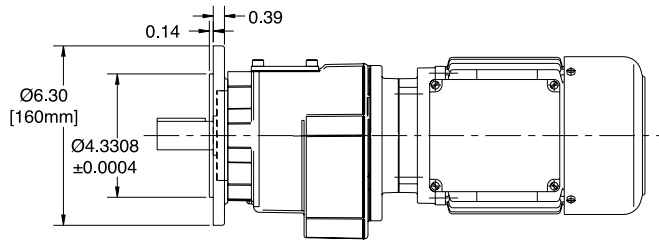
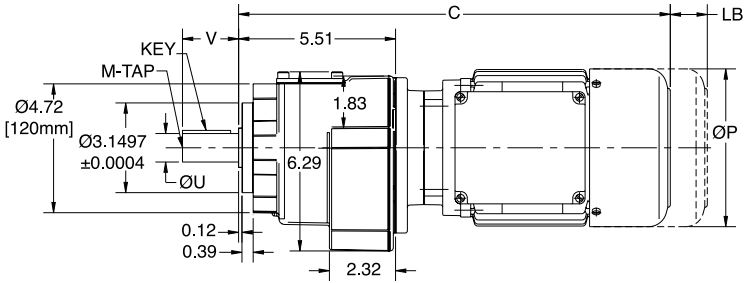
**B14 OUTPUT FLANGE -
Ø120mm**



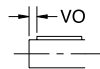
**B5 OUTPUT FLANGE -
Ø160mm**



**B5 OUTPUT FLANGE -
Ø200mm**



METRIC OUTPUT SHAFT



NOMENCLATURE
PAGE ILH-4

MOUNTING POSITIONS
PAGE ILH-7

STOCK/NON-STOCK PART NUMBERS
PAGE ILH-67

WEIGHTS
PAGE ILH-343

DIMENSIONS



IN-LINE HELICAL GEAR REDUCER (ILH) Integral Gearmotor - Flange Mounted (B5 / B14) Double/Triple Reduction

SIZE: HF38

Standard Output Shaft		Dimension - Inch/MM				
ØU	tol.	UY	V	VO	KEY	M-TAP x DEPTH
1.000	+0.0000 -0.0005	1.11	1.97	-	1/4 x 1/4 x 1-5/8	3/8-16 UNC x 0.87
25	+0.015 +0.002	28	50	7	8 x 7 x 40	M10 x 22

Optional Output Shaft		Dimension - Inch/MM				
ØU	tol.	UY	V	VO	KEY	M-TAP x DEPTH
1.250	+0.0000 -0.0005	1.36	2.36	-	1/4 x 1/4 x 2	3/8-16 UNC x 0.87
30	+0.015 +0.002	33	60	7	8 x 7 x 50	M10 x 22

Motor Frame	H38 Double		H38 Triple		P	AB
	C	LB	C	LB		
71C4 / 71D4 / 71E4	16.06	1.81	16.65	1.81	6.19	5.18
	408	46	423	46	158	132
80F4	16.2	2.56	16.79	2.56	6.19	5.12
	412	65	427	65	158	131
80G4	17.7	2.56	18.35	2.56	6.19	5.12
	450	65	467	65	158	131
90H4	17.63	2.52	18.22	2.52	7.19	5.79
	448	64	463	64	183	148
90I4	18.51	2.52	19.1	2.52	7.19	5.79
	471	64	486	64	183	148
100J4	20.51	2.91	-	-	7.19	5.79
	521	74	-	-	183	148

NOMENCLATURE PAGE ILH-4	MOUNTING POSITIONS PAGE ILH-7	STOCK/NON-STOCK PART NUMBERS PAGE ILH-67	WEIGHTS PAGE ILH-343
----------------------------	----------------------------------	---	-------------------------

DIMENSIONS



QUANTIS

QUANTIS GOLD

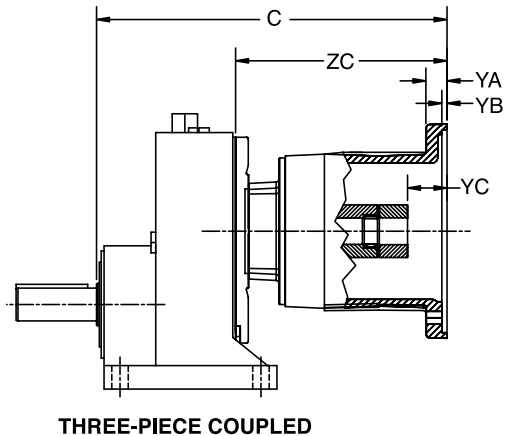
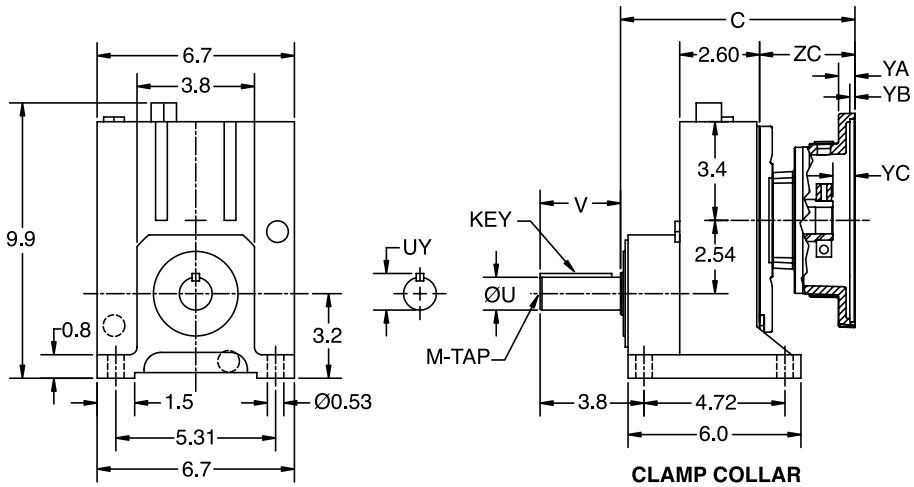
ILH

RHB

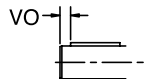
MSM

IN-LINE HELICAL GEAR REDUCER (ILH) NEMA C-Face - Foot Mounted - Clamp Collar / 3 Piece Coupled Single Reduction

SIZE: HB48



METRIC OUTPUT SHAFT



NOMENCLATURE PAGE ILH-4	MOUNTING POSITIONS PAGE ILH-7	STOCK/NON-STOCK PART NUMBERS PAGE ILH-67	WEIGHTS PAGE ILH-343
----------------------------	----------------------------------	---	-------------------------

DIMENSIONS



IN-LINE HELICAL GEAR REDUCER (ILH) NEMA C-Face - Foot Mounted - Clamp Collar / 3 Piece Coupled Single Reduction

SIZE: HB48

Standard Output Shaft		Dimension - Inch/MM				
ØU	tol.	UY	V	VO	KEY	M-TAP x DEPTH
1.125	+0.000 -0.001	1.23	2.74	-	1/4 x 1/4 x 2.35	3/8-16 UNC
25	+0.015 +0.002	28	50	7	8 x 7 x 40	M10 x 22

NEMA Motor Adapter - Clamp Collar			Dimension - Inch		
	H48 Single		YA	YB	YC
	C	ZC			
56C	7.6	3.3	0.47	0.20	0.67
140TC	8.3	3.9	0.47	0.20	0.67
180TC	9.9	5.5	0.73	0.22	0.91

NEMA Motor Adapter - 3 Piece Coupled			Dimension - Inch		
	H48 Single		YA	YB	YC
	C	ZC			
56C	10.8	6.4	0.55	0.20	1.08
140TC	12.2	7.8	0.55	0.20	1.10
180TC	13.5	9.1	0.73	0.22	1.65

Refer to page Engineering-2 for Input Shaft and Flange details.

QUANTIS

QUANTIS GOLD

ILH

RHB

MSM

NOMENCLATURE PAGE ILH-4	MOUNTING POSITIONS PAGE ILH-7	STOCK/NON-STOCK PART NUMBERS PAGE ILH-67	WEIGHTS PAGE ILH-343
----------------------------	----------------------------------	---	-------------------------

DIMENSIONS



QUANTIS

QUANTIS GOLD

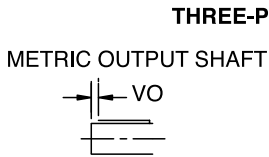
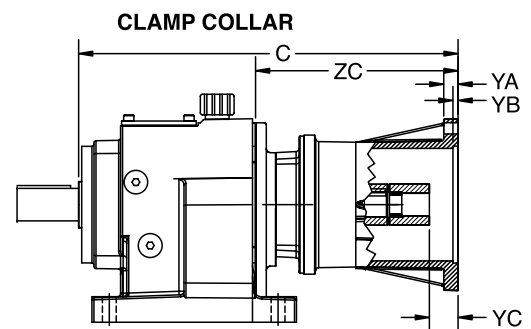
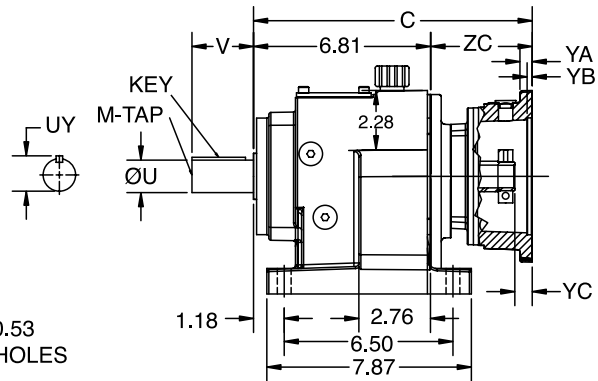
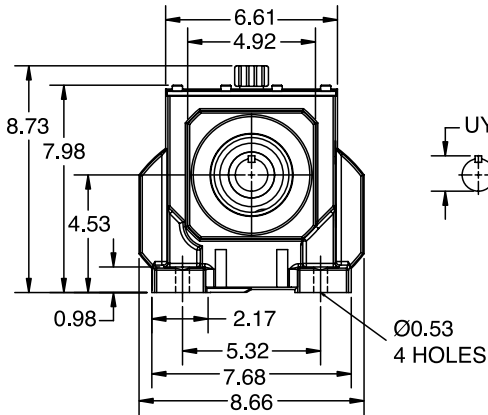
ILH

RHB

MSM

IN-LINE HELICAL GEAR REDUCER (ILH) NEMA C-Face - Foot Mounted - Clamp Collar / 3 Piece Coupled Double/Triple Reduction

SIZE: HB48



NOMENCLATURE PAGE ILH-4	MOUNTING POSITIONS PAGE ILH-7	STOCK/NON-STOCK PART NUMBERS PAGE ILH-67	WEIGHTS PAGE ILH-343
----------------------------	----------------------------------	---	-------------------------

IN-LINE HELICAL GEAR REDUCER (ILH) NEMA C-Face - Foot Mounted - Clamp Collar / 3 Piece Coupled Double/Triple Reduction

SIZE: HB48

Standard Output Shaft					Dimension - Inch/MM	
ØU	tol.	UY	V	VO	KEY	M-TAP x DEPTH
1.250	+0.0000 -0.0005	1.36	2.36	-	1/4 x 1/4 x 2	3/8 - 16 UNC x 0.87
30	+0.015 +0.002	33	60	7	8 x 7 x 50	M10 x 22

Optional Output Shaft					Dimension - Inch/MM	
ØU	tol.	UY	V	VO	KEY	M-TAP x DEPTH
1.625	+0.0000 -0.0005	1.79	3.15	-	3/8 x 3/8 x 2-5/8	5/8 - 11 UNC x 1.42
40	+0.018 +0.002	43	80	5	12 x 8 x 70	M16 x 36

NEMA Motor Adapter - Clamp Collar					Dimension - Inch		
	H48 Double		H48 Triple		YA	YB	YC
	C	ZC	C	ZC			
56C	10.06	3.25	10.73	3.92	0.47	0.20	0.67
140TC	10.73	3.92	11.40	4.59	0.47	0.20	0.67
180TC	12.30	5.49	12.97	6.16	0.73	0.22	0.91

NEMA Motor Adapter - 3 Piece Coupled					Dimension - Inch		
	H48 Double		H48 Triple		YA	YB	YC
	C	ZC	C	ZC			
56C	13.19	6.38	13.86	7.05	0.55	0.20	1.08
140TC	14.61	7.80	15.28	8.46	0.55	0.20	1.10
180TC	15.89	9.08	16.56	9.75	0.73	0.22	1.65

Refer to page Engineering-2 for Input Shaft and Flange details

NOMENCLATURE PAGE ILH-4	MOUNTING POSITIONS PAGE ILH-7	STOCK/NON-STOCK PART NUMBERS PAGE ILH-67	WEIGHTS PAGE ILH-343
----------------------------	----------------------------------	---	-------------------------

DIMENSIONS



QUANTIS

QUANTIS GOLD

ILH

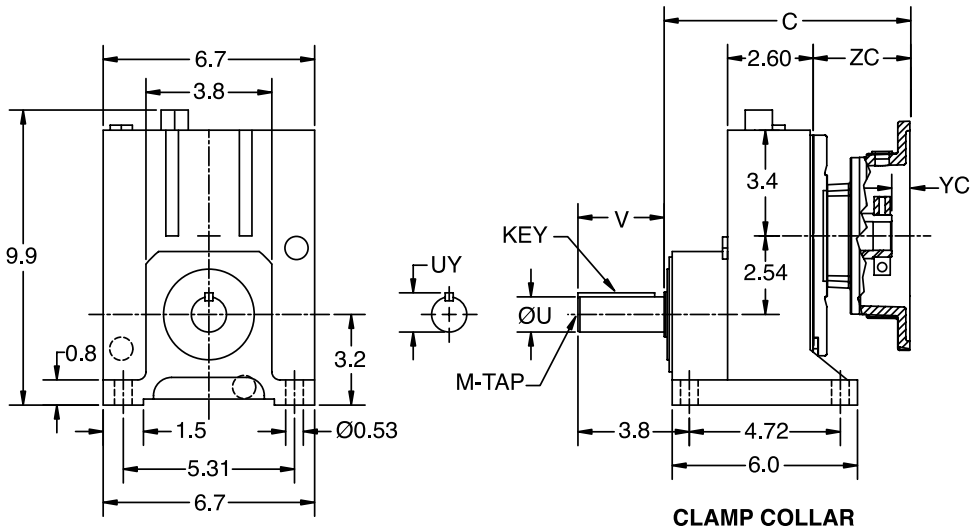
RHB

MSM

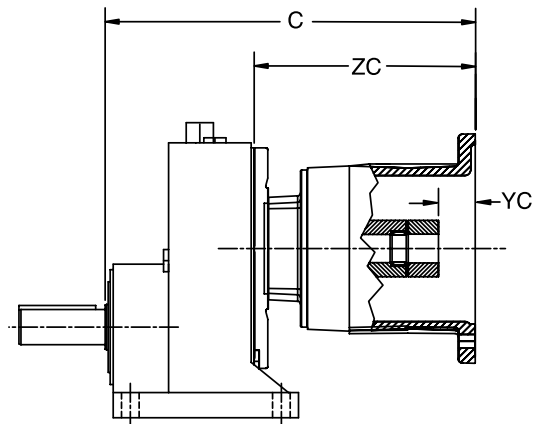
IN-LINE HELICAL GEAR REDUCER (ILH)

SIZE: HB48

IEC D Flange (B5 Input) - Foot Mounted - Clamp Collar / 3 Piece Coupled
Single Reduction

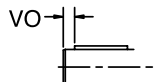


CLAMP COLLAR



THREE-PIECE COUPLED

METRIC OUTPUT SHAFT



<p>NOMENCLATURE PAGE ILH-4</p>	<p>MOUNTING POSITIONS PAGE ILH-7</p>	<p>STOCK/NON-STOCK PART NUMBERS PAGE ILH-67</p>	<p>WEIGHTS PAGE ILH-343</p>
------------------------------------	--	---	---------------------------------

DIMENSIONS



IN-LINE HELICAL GEAR REDUCER (ILH)

SIZE: HB48

IEC D Flange (B5 Input) - Foot Mounted - Clamp Collar / 3 Piece Coupled
Single Reduction

Standard Output Shaft

Dimension - Inch/MM

ØU	tol.	UY	V	VO	KEY	M-TAP x DEPTH
1.125	+0.000 -0.001	1.23	2.74	-	1/4 x 1/4 x 2.35	3/8-16 UNC
25	+0.015 +0.002	28	50	7	8 x 7 x 40	M10 x 22

IEC Motor Adapter - Clamp Collar

Dimension - Inch

	H48 Single		YC
	C	ZC	
71D	6.9	2.6	0.16
80D	7.9	3.5	0.61
90D	7.9	3.5	0.61
100D	8.2	3.8	0.28
112D	8.5	4.1	0.28

IEC Motor Adapter - 3 Piece Coupled

Dimension - Inch

	H48 Single		YC
	C	ZC	
80D	12.1	7.7	0.59
90D	12.1	7.7	1.02
100D	13.0	8.6	1.18
112D	13.0	8.6	1.18

Refer to page Engineering-3 for Input Shaft and Flange details.

QUANTIS

QUANTIS GOLD

ILH

RHB

MSM

NOMENCLATURE PAGE ILH-4	MOUNTING POSITIONS PAGE ILH-7	STOCK/NON-STOCK PART NUMBERS PAGE ILH-67	WEIGHTS PAGE ILH-343
----------------------------	----------------------------------	---	-------------------------

DIMENSIONS



QUANTIS

QUANTIS GOLD

ILH

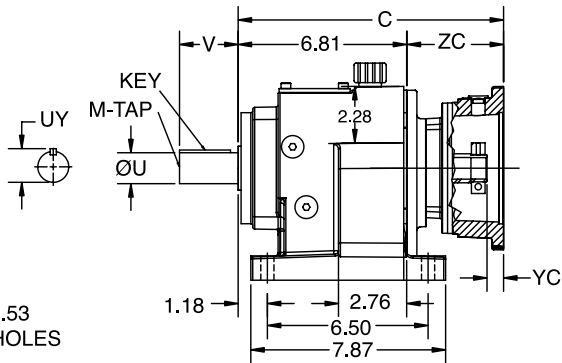
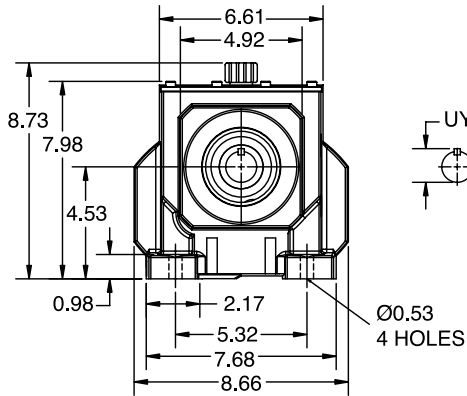
RHB

MSM

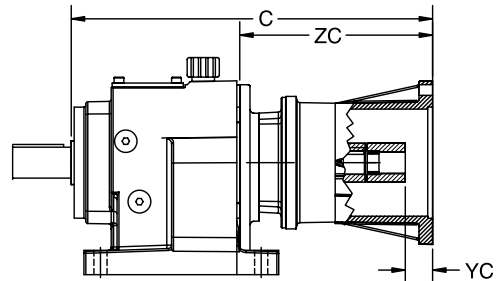
IN-LINE HELICAL GEAR REDUCER (ILH)

SIZE: HB48

IEC D Flange (B5 Input) - Foot Mounted - Clamp Collar / 3 Piece Coupled
Double/Triple Reduction

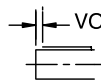


CLAMP COLLAR



THREE-PIECE COUPLED

METRIC OUTPUT SHAFT



NOMENCLATURE
PAGE ILH-4

MOUNTING POSITIONS
PAGE ILH-7

STOCK/NON-STOCK PART NUMBERS
PAGE ILH-67

WEIGHTS
PAGE ILH-343

IN-LINE HELICAL GEAR REDUCER (ILH) IEC D Flange (B5 Input) - Foot Mounted - Clamp Collar / 3 Piece Coupled Double/Triple Reduction

SIZE: HB48

QUANTIS

QUANTIS GOLD

ILH

RHB

MSM

Standard Output Shaft					Dimension - Inch/MM	
ØU	tol.	UY	V	VO	KEY	M-TAP x DEPTH
1.250	+0.0000 -0.0005	1.36	2.36	-	1/4 x 1/4 x 2	3/8 - 16 UNC x 0.87
30	+0.015 +0.002	33	60	7	8 x 7 x 50	M10 x 22

Optional Output Shaft					Dimension - Inch/MM	
ØU	tol.	UY	V	VO	KEY	M-TAP x DEPTH
1.625	+0.0000 -0.0005	1.79	3.15	-	3/8 x 3/8 x 2-5/8	5/8 - 11 UNC x 1.42
40	+0.018 +0.002	43	80	5	12 x 8 x 70	M16 x 36

	IEC Motor Adapter - Clamp Collar					Dimension - Inch
	H48 Double		H48 Triple		YC	
	C	ZC	C	ZC		
71D	9.35	2.54	10.02	3.21	0.16	
80D	10.30	3.49	10.96	4.15	0.61	
90D	10.30	3.49	10.96	4.15	0.61	
100D (J)	10.59	3.78	11.26	4.45	0.28	
112D (J)	10.93	4.12	-	-	0.28	

	IEC Motor Adapter - 3 Piece Coupled					Dimension - Inch
	H48 Double		H48 Triple		YC	
	C	ZC	C	ZC		
80D	14.53	7.72	15.20	8.39	0.59	
90D	14.53	7.72	15.20	8.39	1.02	
100D (J)	15.41	8.60	16.08	9.27	1.18	
112D (J)	15.37	8.56	-	-	1.18	

(J) See Footnotes page on inside back cover

Refer to page Engineering-3 for Input Shaft and Flange details.

NOMENCLATURE PAGE ILH-4	MOUNTING POSITIONS PAGE ILH-7	STOCK/NON-STOCK PART NUMBERS PAGE ILH-67	WEIGHTS PAGE ILH-343
----------------------------	----------------------------------	---	-------------------------

DIMENSIONS



QUANTIS

QUANTIS GOLD

ILH

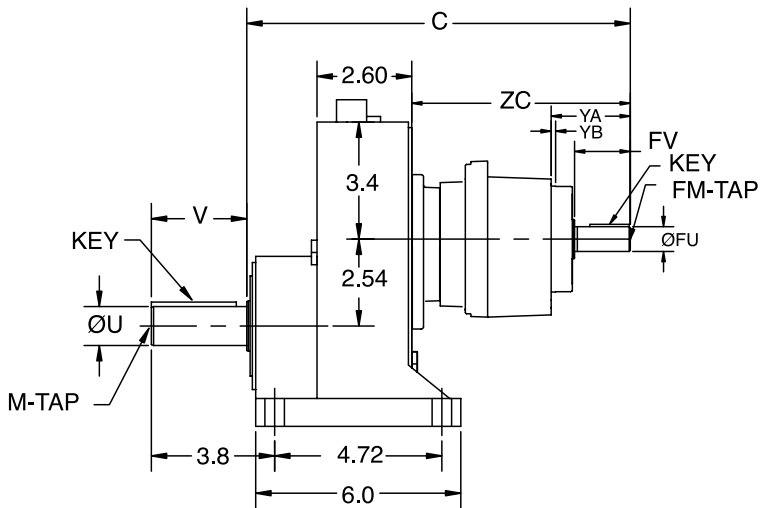
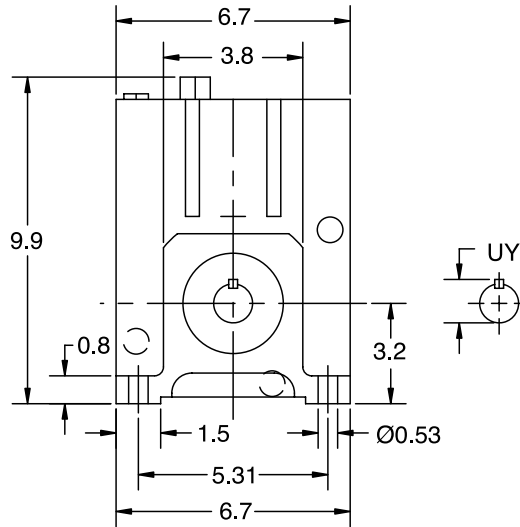
RHB

MSM

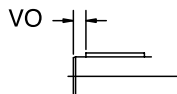
IN-LINE HELICAL GEAR REDUCER (ILH)

SIZE: HB48

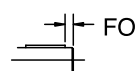
Separate - Foot Mounted
Single Reduction



METRIC OUTPUT SHAFT



METRIC INPUT SHAFT



NOMENCLATURE
PAGE ILH-4

MOUNTING POSITIONS
PAGE ILH-7

STOCK/NON-STOCK PART NUMBERS
PAGE ILH-67

WEIGHTS
PAGE ILH-343

IN-LINE HELICAL GEAR REDUCER (ILH)

SIZE: HB48

Separate - Foot Mounted
Single Reduction

Standard Output Shaft

Dimension - Inch/MM

ØU	tol.	UY	V	VO	KEY	M-TAP x DEPTH
1.125	+0.000 -0.001	1.23	2.74	-	1/4 x 1/4 x 2.35	3/8-16 UNC
25	+0.015 +0.002	28	50	7	8 x 7 x 40	M10 x 22

Separate Input

Dimension - Inch/MM

	H48 Single		FO	FM x Depth	ØFU	tol.	FV	YA	YB	KEY
	C	ZC								
71	10.1	5.8	-	8-32 UNC x 0.49	0.625	+0.0000 -0.0005	1.57	2.4	0.16	3/16 x 3/16 x 1-5/16
	256	146	4	M5 x 12.5	16	+0.012 +0.001	40			5 x 5 x 32
80	11.5	7.1	-	1/4-20 UNC x 0.63	0.750	+0.0000 -0.0005	1.57	2.4	0.16	3/16 x 3/16 x 1-5/16
	291	181	4	M6 x 16	19	+0.015 +0.002	40			6 x 6 x 32
90	11.9	7.5	-	5/16-18 UNC x 0.75	0.875	+0.0000 -0.0005	1.97	2.8	0.16	3/16 x 3/16 x 1-5/8
	301	191	5	M8 x 19	24	+0.015 +0.002	50			8 x 7 x 40
100	12.5	8.2	-	3/8-16 UNC x 0.87	1.125	+0.0000 -0.0005	2.36	3.27	0.16	1/4 x 1/4 x 2
	317	207	5	M10 x 22	28	+0.015 +0.002	60			8 x 7 x 50
112	12.5	8.2	-	3/8-16 UNC x 0.87	1.250	+0.0000 -0.0005	2.36	3.27	0.16	1/4 x 1/4 x 2
	318	208	5	M10 x 22	28	+0.015 +0.002	60			8 x 7 x 50

Refer to page Engineering-4 for Input Shaft and Flange details.

NOMENCLATURE PAGE ILH-4	MOUNTING POSITIONS PAGE ILH-7	STOCK/NON-STOCK PART NUMBERS PAGE ILH-67	WEIGHTS PAGE ILH-343
----------------------------	----------------------------------	---	-------------------------

DIMENSIONS



QUANTIS

QUANTIS GOLD

ILH

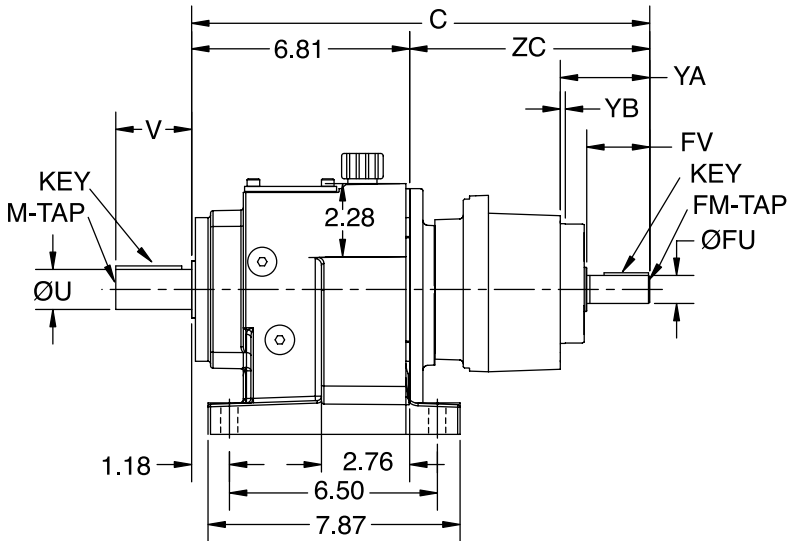
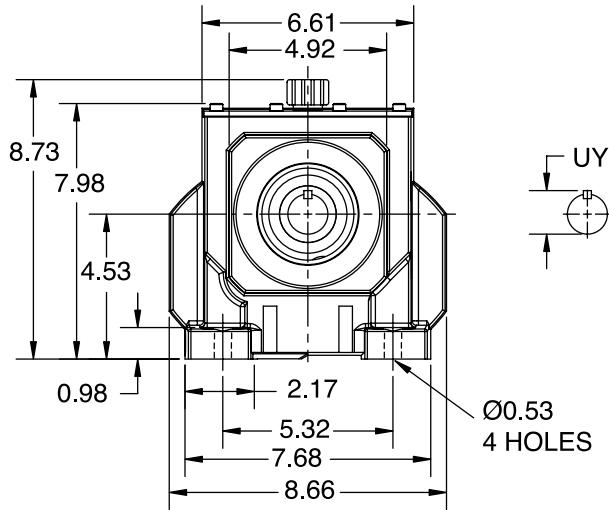
RHB

MSM

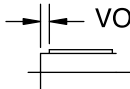
IN-LINE HELICAL GEAR REDUCER (ILH)

SIZE: HB48

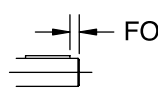
Separate - Foot Mounted
Double/Triple Reduction



METRIC OUTPUT SHAFT



METRIC OUTPUT SHAFT



NOMENCLATURE
PAGE ILH-4

MOUNTING POSITIONS
PAGE ILH-7

STOCK/NON-STOCK PART NUMBERS
PAGE ILH-67

WEIGHTS
PAGE ILH-343

DIMENSIONS



IN-LINE HELICAL GEAR REDUCER (ILH)

SIZE: HB48

Separate - Foot Mounted
Double/Triple Reduction

Standard Output Shaft

Dimension - Inch/MM

ØU	tol.	UY	V	VO	KEY	M-TAP x DEPTH
1.250	+0.0000 -0.0005	1.36	2.36	-	1/4 x 1/4 x 2	3/8 - 16 UNC x 0.87
30	+0.015 +0.002	33	60	7	8 x 7 x 50	M10 x 22

Optional Output Shaft

Dimension - Inch/MM

ØU	tol.	UY	V	VO	KEY	M-TAP x DEPTH
1.625	+0.0000 -0.0005	1.79	3.15	-	3/8 x 3/8 x 2-5/8	5/8 - 11 UNC x 1.42
40	+0.018 +0.002	43	80	5	12 x 8 x 70	M16 x 36

Separate Input

Dimension - Inch/MM

	H48 Double		H48 Triple		FO	FM x Depth	ØFU	tol.	FV	YA	YB	KEY
	C	ZC	C	ZC								
71	12.56	5.75	13.23	6.42	-	8-32 UNC x 0.49	0.625	+0.0000 -0.0005	1.57	2.40	0.16	3/16 x 3/16 x 1-5/16
	319	146	336	163	4	M5 x 12.5	16	+0.012 +0.001	40			5 x 5 x 32
80	13.94	7.13	14.61	7.80	-	1/4-20 UNC x 0.63	0.750	+0.0000 -0.0005	1.57	2.40	0.16	3/16 x 3/16 x 1-5/16
	354	181	371	198	4	M6 x 16	19	+0.015 +0.002	40			6 x 6 x 32
90	14.33	7.52	15.00	8.19	-	5/16-18 UNC x 0.75	0.875	+0.0000 -0.0005	1.97	2.80	0.16	3/16 x 3/16 x 1-5/8
	364	191	3.81	208	5	M8 x 19	24	+0.015 +0.002	50			8 x 7 x 40
100	14.96	8.15	15.63	8.82	-	3/8-16 UNC x 0.87	1.125	+0.0000 -0.0005	2.36	3.27	0.16	1/4 x 1/4 x 2
	380	207	397	224	5	M10 x 22	28	+0.015 +0.002	60			8 x 7 x 50
112	15.00	8.19	-	-	-	3/8-16 UNC x 0.87	1.25	+0.0000 -0.0005	2.36	3.27	0.16	1/4 x 1/4 x 2
	381	208	-	-	5	M10 x 22	28	+0.015 +0.002	60			8 x 7 x 50

Refer to page Engineering-4 for Input Shaft and Flange details.

NOMENCLATURE PAGE ILH-4	MOUNTING POSITIONS PAGE ILH-7	STOCK/NON-STOCK PART NUMBERS PAGE ILH-67	WEIGHTS PAGE ILH-343
----------------------------	----------------------------------	---	-------------------------

DIMENSIONS



QUANTIS

IN-LINE HELICAL GEAR REDUCER (ILH)

SIZE: HB48

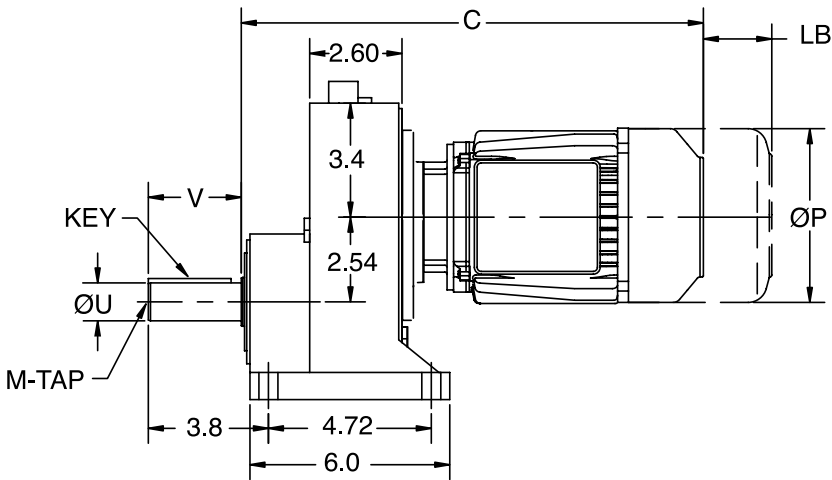
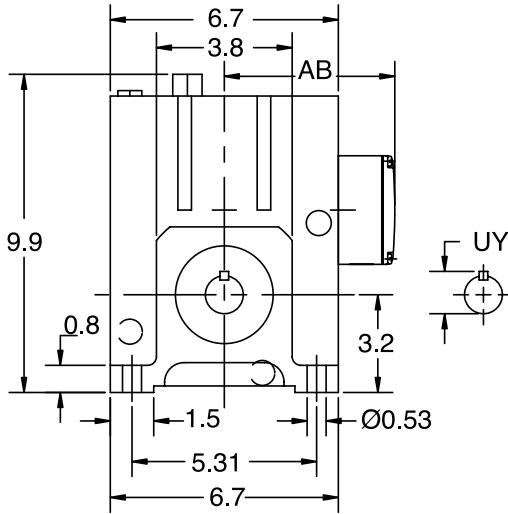
Integral Gearmotor - Foot Mounted
Single Reduction

QUANTIS GOLD

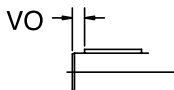
ILH

RHB

MSM



METRIC OUTPUT SHAFT



NOMENCLATURE PAGE ILH-4	MOUNTING POSITIONS PAGE ILH-7	STOCK/NON-STOCK PART NUMBERS PAGE ILH-67	WEIGHTS PAGE ILH-343
----------------------------	----------------------------------	---	-------------------------

DIMENSIONS



IN-LINE HELICAL GEAR REDUCER (ILH)

SIZE: HB48

Integral Gearmotor - Foot Mounted

Single Reduction

Standard Output Shaft

Dimension - Inch/MM

ØU	tol.	UY	V	VO	KEY	M-TAP x DEPTH
1.125	+0.000 -0.001	1.23	2.74	-	1/4 x 1/4 x 2.35	3/8-16 UNC
25	+0.015 +0.002	28	50	7	8 x 7 x 40	M10 x 22

Motor

Dimension - Inch/MM

Frame	H48 Single		P	AB
	C	LB		
71C4 / 71D4 / 71E4	14.69	1.81	6.19	5.18
	374	46	158	132
80F4	14.85	2.56	6.19	5.12
	378	65	158	131
80G4	16.35	2.56	6.19	5.12
	416	65	158	131
90H4	16.23	2.52	7.19	5.79
	413	64	183	148
90I4	17.13	2.52	7.19	5.79
	436	64	183	148
100J4	19.12	2.91	7.19	5.79
	486	74	183	148
112L4	20.86	2.91	8.6	6.88
	530	74	219	175

QUANTIS

QUANTIS GOLD

ILH

RHB

MSM

NOMENCLATURE PAGE ILH-4	MOUNTING POSITIONS PAGE ILH-7	STOCK/NON-STOCK PART NUMBERS PAGE ILH-67	WEIGHTS PAGE ILH-343
----------------------------	----------------------------------	---	-------------------------

DIMENSIONS



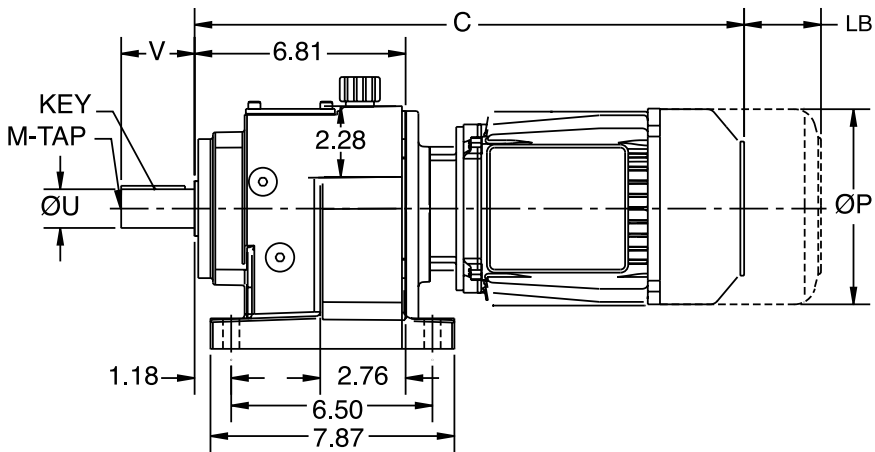
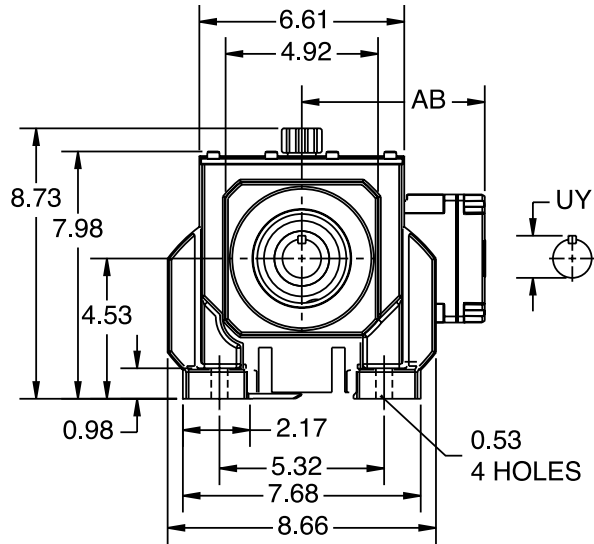
QUANTIS

IN-LINE HELICAL GEAR REDUCER (ILH)

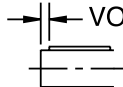
SIZE: HB48

Integral Gearmotor - Foot Mounted

Double/Triple Reduction



METRIC OUTPUT SHAFT



QUANTIS GOLD

ILH

RHB

MSM

NOMENCLATURE
PAGE ILH-4

MOUNTING POSITIONS
PAGE ILH-7

STOCK/NON-STOCK PART NUMBERS
PAGE ILH-67

WEIGHTS
PAGE ILH-343

DIMENSIONS



IN-LINE HELICAL GEAR REDUCER (ILH)

SIZE: HB48

Integral Gearmotor - Foot Mounted
Double/Triple Reduction

Standard Output Shaft		Dimension - Inch/MM				
ØU	tol.	UY	V	VO	KEY	M-TAP x DEPTH
1.250	+0.0000 -0.0005	1.36	2.36	-	1/4 x 1/4 x 2	3/8 - 16 UNC x 0.87
30	+0.015 +0.002	33	60	7	8 x 7 x 50	M10 x 22

Optional Output Shaft		Dimension - Inch/MM				
ØU	tol.	UY	V	VO	KEY	M-TAP x DEPTH
1.625	+0.0000 -0.0005	1.79	3.15	-	3/8 x 3/8 x 2-5/8	5/8 - 11 UNC x 1.42
40	+0.018 +0.002	43	80	5	12 x 8 x 70	M16 x 36

Motor Frame	Dimension - Inch/MM					
	H48 Double		H48 Triple		P	AB
	C	LB	C	LB		
71C4 / 71D4 / 71E4	17.14	1.81	17.81	1.81	6.19	5.18
	436	46	453	46	158	132
80F4	17.28	2.56	17.95	2.56	6.19	5.12
	439	65	456	65	158	131
80G4	18.78	2.56	19.45	2.56	6.19	5.12
	478	65	495	65	158	131
90H4	18.71	2.52	19.38	2.52	7.19	5.79
	476	64	493	64	183	148
90I4	19.59	2.52	20.26	2.52	7.19	5.79
	498	64	515	64	183	148
100J4	21.6	2.91	22.26	2.91	7.19	5.79
	549	74	566	74	183	148
112L4	23.32	2.91	-	-	8.6	6.88
	593	74	-	-	219	175

NOMENCLATURE PAGE ILH-4	MOUNTING POSITIONS PAGE ILH-7	STOCK/NON-STOCK PART NUMBERS PAGE ILH-67	WEIGHTS PAGE ILH-343
----------------------------	----------------------------------	---	-------------------------

DIMENSIONS



QUANTIS

QUANTIS GOLD

ILH

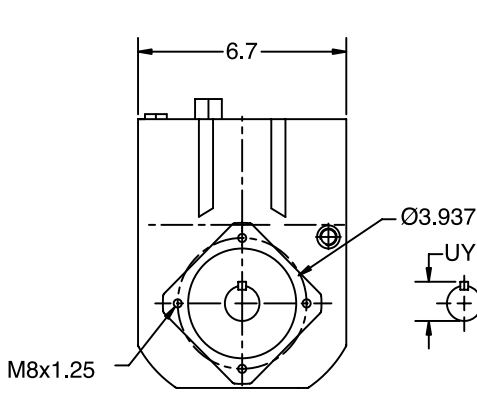
RHB

MSM

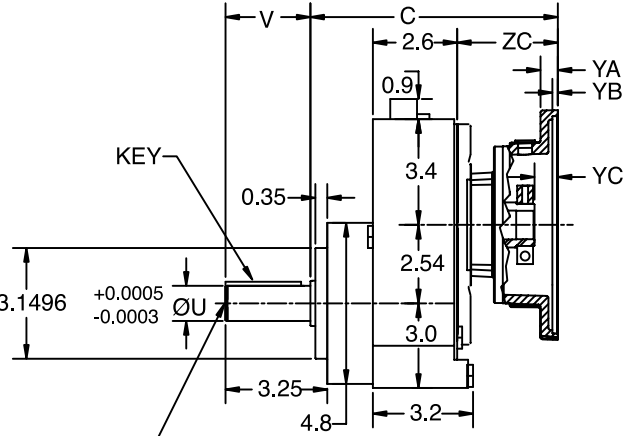
IN-LINE HELICAL GEAR REDUCER (ILH)

SIZE: HF48

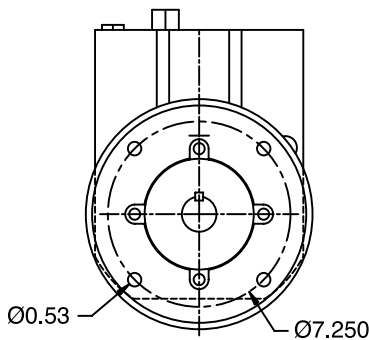
NEMA C-Face - Flange Mounted (B5 / B14 / NEMA) - Clamp Collar / 3 Piece Coupled
Single Reduction



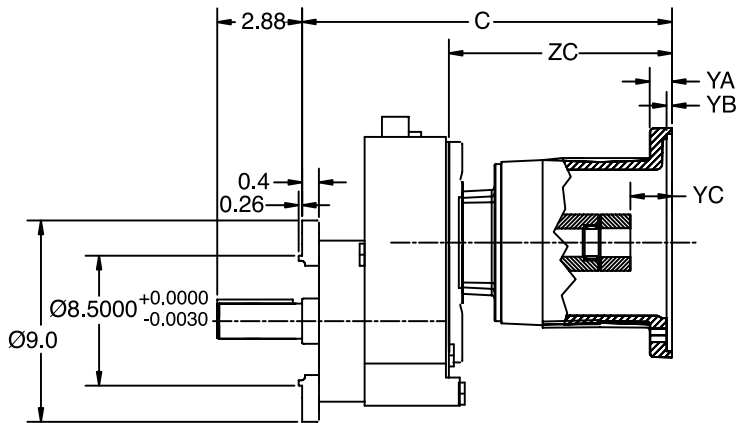
**B14 OUTPUT FLANGE -
Ø120mm**



CLAMP COLLAR



NEMA 180TC OUTPUT FLANGE



THREE-PIECE COUPLED

NOMENCLATURE
PAGE ILH-4

MOUNTING POSITIONS
PAGE ILH-7

STOCK/NON-STOCK PART NUMBERS
PAGE ILH-67

WEIGHTS
PAGE ILH-343

DIMENSIONS



IN-LINE HELICAL GEAR REDUCER (ILH)

SIZE: HF48

NEMA C-Face - Flange Mounted (B5 / B14 / NEMA) - Clamp Collar / 3 Piece Coupled
Single Reduction

Standard Output Shaft

Dimension - Inch/MM

ØU	tol.	UY	V	VO	KEY	M-TAP x DEPTH
1.125	+0.000 -0.001	1.23	2.74	-	1/4 x 1/4 x 2.35	3/8-16 UNC
25	+0.015 +0.002	28	50	7	8 x 7 x 40	M10 x 22

NEMA Motor Adapter - Clamp Collar

Dimension - Inch

	H48 Single		YA	YB	YC
	C	ZC			
56C	7.6	3.3	0.47	0.20	0.67
140TC	8.3	3.9	0.47	0.20	0.67
180TC	9.9	5.5	0.73	0.22	0.91

NEMA Motor Adapter - 3 Piece Coupled

Dimension - Inch

	H48 Single		YA	YB	YC
	C	ZC			
56C	10.8	6.4	0.55	0.20	1.08
140TC	12.2	7.8	0.55	0.20	1.10
180TC	13.5	9.1	0.73	0.22	1.65

Refer to page Engineering-2 for Input Shaft and Flange details.

QUANTIS

QUANTIS GOLD

ILH

RHB

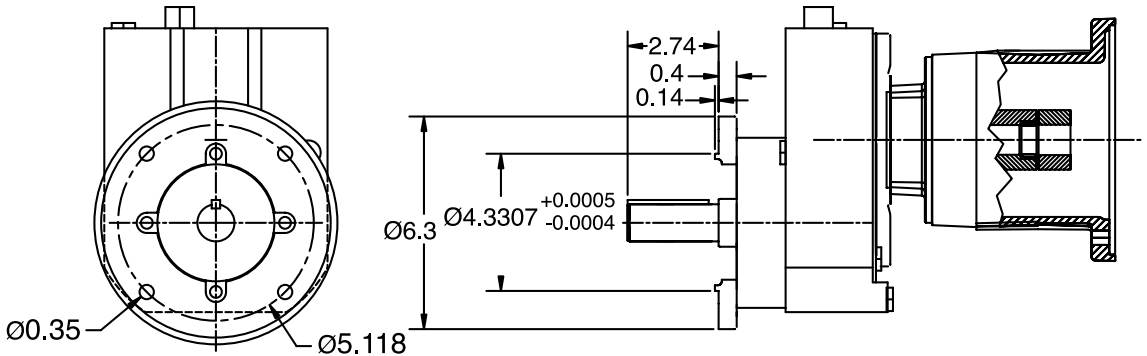
MSM

NOMENCLATURE PAGE ILH-4	MOUNTING POSITIONS PAGE ILH-7	STOCK/NON-STOCK PART NUMBERS PAGE ILH-67	WEIGHTS PAGE ILH-343
----------------------------	----------------------------------	---	-------------------------

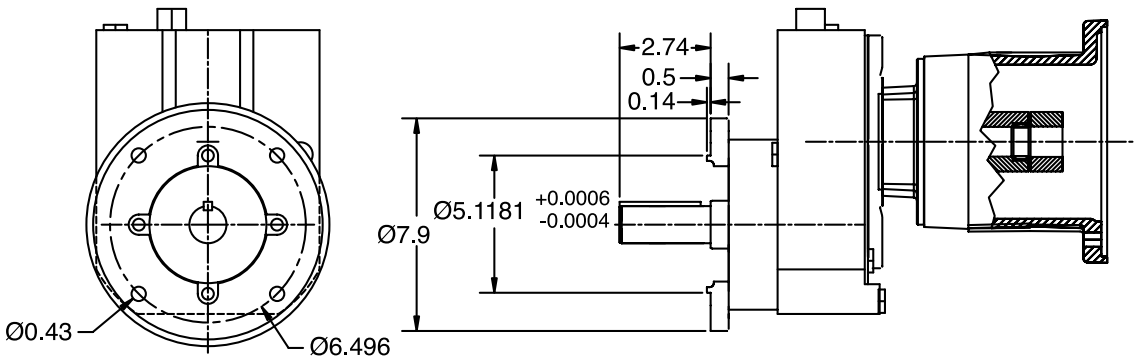
IN-LINE HELICAL GEAR REDUCER (ILH)

SIZE: HF48

NEMA C-Face - Flange Mounted (B5 / B14 / NEMA) - Clamp Collar / 3 Piece Coupled
Single Reduction

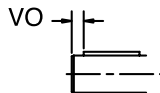


**B5 OUTPUT FLANGE -
Ø160mm**



**B5 OUTPUT FLANGE -
Ø200mm**

METRIC OUTPUT SHAFT



Refer to page ILH-174 for additional dimensions

NOMENCLATURE PAGE ILH-4	MOUNTING POSITIONS PAGE ILH-7	STOCK/NON-STOCK PART NUMBERS PAGE ILH-67	WEIGHTS PAGE ILH-343
----------------------------	----------------------------------	---	-------------------------

DIMENSIONS



IN-LINE HELICAL GEAR REDUCER (ILH)

SIZE: HF48

NEMA C-Face - Flange Mounted (B5 / B14 / NEMA) - Clamp Collar / 3 Piece Coupled
Single Reduction

Standard Output Shaft

Dimension - Inch/MM

ØU	tol.	UY	V	VO	KEY	M-TAP x DEPTH
1.125	+0.000 -0.001	1.23	2.74	-	1/4 x 1/4 x 2.35	3/8-16 UNC
25	+0.015 +0.002	28	50	7	8 x 7 x 40	M10 x 22

NEMA Motor Adapter - Clamp Collar

Dimension - Inch

	H48 Single		YA	YB	YC
	C	ZC			
56C	7.6	3.3	0.47	0.20	0.67
140TC	8.3	3.9	0.47	0.20	0.67
180TC	9.9	5.5	0.73	0.22	0.91

NEMA Motor Adapter - 3 Piece Coupled

Dimension - Inch

	H48 Single		YA	YB	YC
	C	ZC			
56C	10.8	6.4	0.55	0.20	1.08
140TC	12.2	7.8	0.55	0.20	1.10
180TC	13.5	9.1	0.73	0.22	1.65

Refer to page Engineering-2 for Input Shaft and Flange details.

QUANTIS

QUANTIS GOLD

ILH

RHB

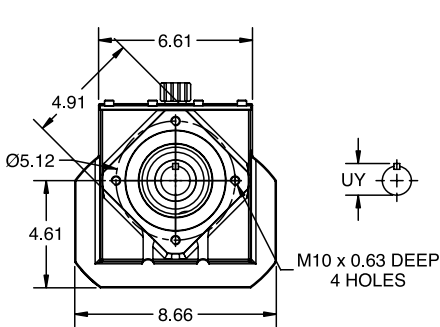
MSM

NOMENCLATURE PAGE ILH-4	MOUNTING POSITIONS PAGE ILH-7	STOCK/NON-STOCK PART NUMBERS PAGE ILH-67	WEIGHTS PAGE ILH-343
----------------------------	----------------------------------	---	-------------------------

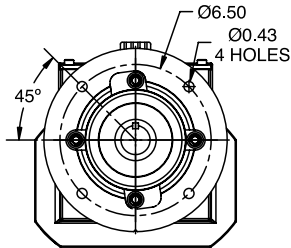
IN-LINE HELICAL GEAR REDUCER (ILH)

SIZE: HF48

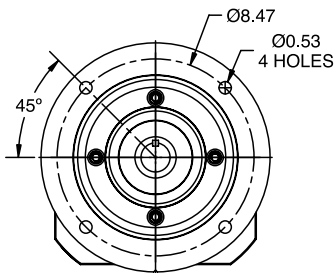
NEMA C-Face - Flange Mounted (B5 / B14) - Clamp Collar / 3 Piece Coupled
Double/Triple Reduction



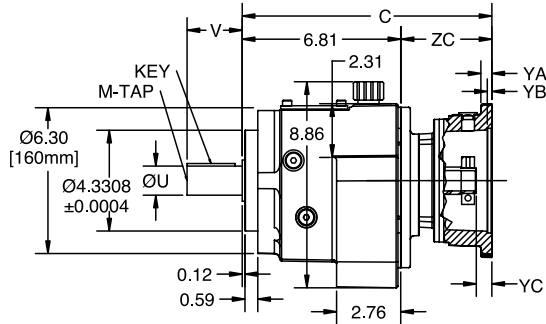
B14 OUTPUT FLANGE -
Ø160mm



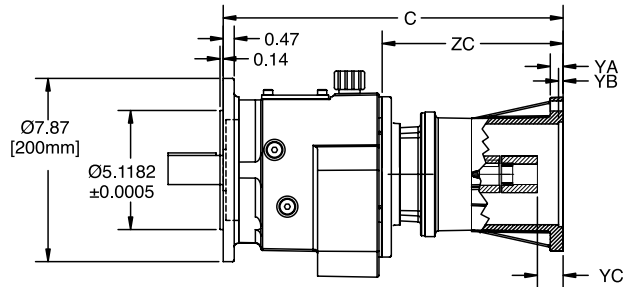
B5 OUTPUT FLANGE -
Ø200mm



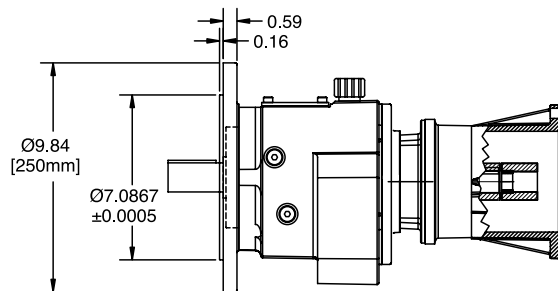
B5 OUTPUT FLANGE -
Ø250mm



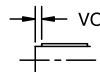
CLAMP COLLAR



THREE-PIECE COUPLED



METRIC OUTPUT SHAFT



DIMENSIONS



IN-LINE HELICAL GEAR REDUCER (ILH)

SIZE: HF48

NEMA C-Face - Flange Mounted (B5 / B14) - Clamp Collar / 3 Piece Coupled
Double/Triple Reduction

Standard Output Shaft

Dimension - Inch/MM

ØU	tol.	UY	V	VO	KEY	M-TAP x DEPTH
1.250	+0.0000 -0.0005	1.36	2.36	-	1/4 x 1/4 x 2	3/8 - 16 UNC x 0.87
30	+0.015 +0.002	33	60	7	8 x 7 x 50	M10 x 22

Optional Output Shaft

Dimension - Inch/MM

ØU	tol.	UY	V	VO	KEY	M-TAP x DEPTH
1.625	+0.0000 -0.0005	1.79	3.15	-	3/8 x 3/8 x 2-5/8	5/8 - 11 UNC x 1.42
40	+0.018 +0.002	43	80	5	12 x 8 x 70	M16 x 36

NEMA Motor Adapter - Clamp Collar

Dimension - Inch

	H48 Double		H48 Triple		YA	YB	YC
	C	ZC	C	ZC			
56C	10.06	3.25	10.73	3.92	0.47	0.20	0.67
140TC	10.73	3.92	11.40	4.59	0.47	0.20	0.67
180TC	12.30	5.49	12.97	6.16	0.73	0.22	0.91

NEMA Motor Adapter - 3 Piece Coupled

Dimension - Inch

	H48 Double		H48 Triple		YA	YB	YC
	C	ZC	C	ZC			
56C	13.19	6.38	13.86	7.05	0.55	0.20	1.08
140TC	14.61	7.80	15.28	8.46	0.55	0.20	1.10
180TC	15.89	9.08	16.56	9.75	0.73	0.22	1.65

Refer to page Engineering-2 for Input Shaft and Flange details.

NOMENCLATURE PAGE ILH-4	MOUNTING POSITIONS PAGE ILH-7	STOCK/NON-STOCK PART NUMBERS PAGE ILH-67	WEIGHTS PAGE ILH-343
----------------------------	----------------------------------	---	-------------------------

DIMENSIONS



QUANTIS

QUANTIS GOLD

ILH

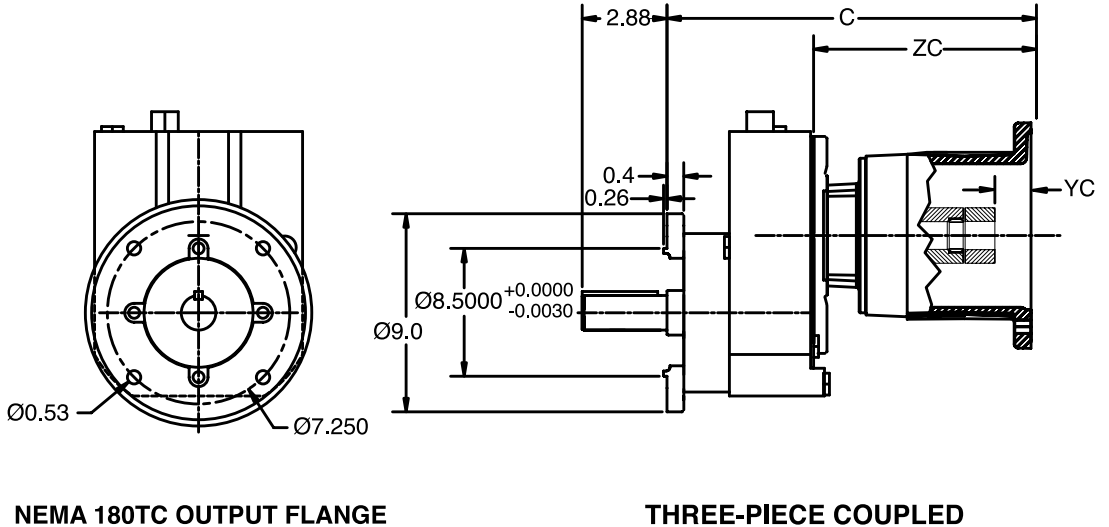
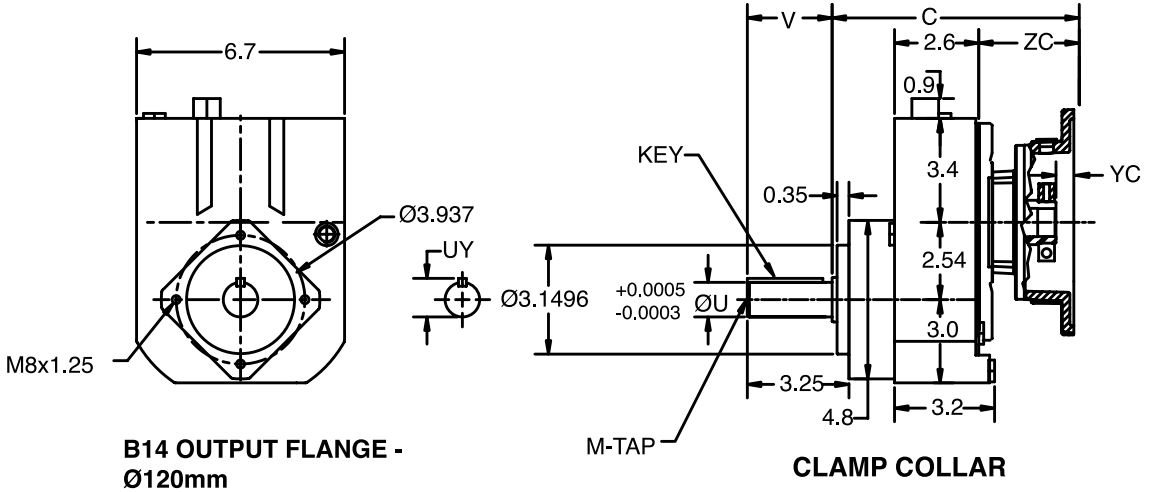
RHB

MSM

IN-LINE HELICAL GEAR REDUCER (ILH)

SIZE: HF48

IEC D Flange (B5 Input) - Flange Mounted (B5/B14/NEMA) - Clamp Collar / 3 Piece Coupled Single Reduction



NOMENCLATURE PAGE ILH-4	MOUNTING POSITIONS PAGE ILH-7	STOCK/NON-STOCK PART NUMBERS PAGE ILH-67	WEIGHTS PAGE ILH-343
----------------------------	----------------------------------	---	-------------------------

DIMENSIONS



IN-LINE HELICAL GEAR REDUCER (ILH) SIZE: HF48 IEC D Flange (B5 Input) - Flange Mounted (B5/B14/NEMA) - Clamp Collar / 3 Piece Coupled Single Reduction

Standard Output Shaft					Dimension - Inch/MM	
ØU	tol.	UY	V	VO	KEY	M-TAP x DEPTH
1.125	+0.000 -0.001	1.23	2.74	-	1/4 x 1/4 x 2.35	3/8-16 UNC
25	+0.015 +0.002	28	50	7	8 x 7 x 40	M10 x 22

IEC Motor Adapter - Clamp Collar Dimension - Inch

	H48 Single		YC
	C	ZC	
71D	6.9	2.6	0.16
80D	7.9	3.5	0.61
90D	7.9	3.5	0.61
100D	8.2	3.8	0.28
112D	8.5	4.1	0.28

IEC Motor Adapter - 3 Piece Coupled Dimension - Inch

	H48 Single		YC
	C	ZC	
80D	12.1	7.7	0.59
90D	12.1	7.7	1.02
100D	13.0	8.6	1.18
112D	13.0	8.6	1.18

Refer to page Engineering-3 for Input Shaft and Flange details.

NOMENCLATURE PAGE ILH-4	MOUNTING POSITIONS PAGE ILH-7	STOCK/NON-STOCK PART NUMBERS PAGE ILH-67	WEIGHTS PAGE ILH-343
----------------------------	----------------------------------	---	-------------------------

DIMENSIONS



QUANTIS

QUANTIS GOLD

ILH

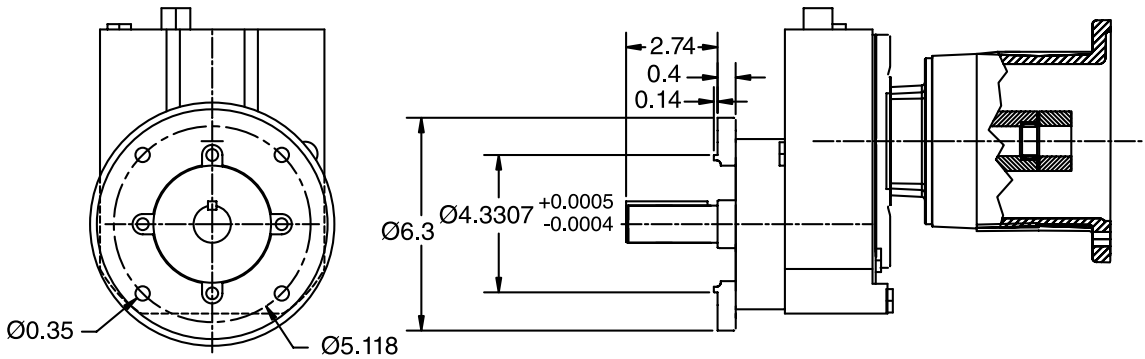
RHB

MSM

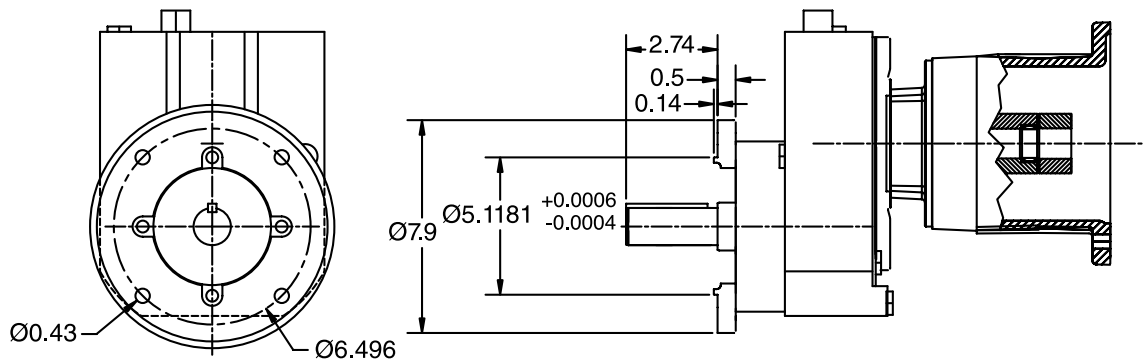
IN-LINE HELICAL GEAR REDUCER (ILH)

SIZE: HF48

IEC D Flange (B5 Input) - Flange Mounted (B5/B14/NEMA) - Clamp Collar / 3 Piece Coupled Single Reduction

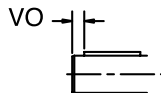


B5 OUTPUT FLANGE
Ø160mm



B5 OUTPUT FLANGE
Ø200mm

METRIC OUTPUT SHAFT



Refer to page ILH-180 for additional dimensions

NOMENCLATURE PAGE ILH-4	MOUNTING POSITIONS PAGE ILH-7	STOCK/NON-STOCK PART NUMBERS PAGE ILH-67	WEIGHTS PAGE ILH-343
----------------------------	----------------------------------	---	-------------------------

DIMENSIONS



IN-LINE HELICAL GEAR REDUCER (ILH)

SIZE: HF48

IEC D Flange (B5 Input) - Flange Mounted (B /B14/NEMA) - Clamp Collar / 3 Piece Coupled Single Reduction

Standard Output Shaft

Dimension - Inch/MM

ØU	tol.	UY	V	VO	KEY	M-TAP x DEPTH
1.125	+0.000 -0.001	1.23	2.74	-	1/4 x 1/4 x 2.35	3/8-16 UNC
25	+0.015 +0.002	28	50	7	8 x 7 x 40	M10 x 22

IEC Motor Adapter - Clamp Collar

Dimension - Inch

	H48 Single		YC
	C	ZC	
71D	6.9	2.6	0.16
80D	7.9	3.5	0.61
90D	7.9	3.5	0.61
100D	8.2	3.8	0.28
112D	8.5	4.1	0.28

IEC Motor Adapter - 3 Piece Coupled

Dimension - Inch

	H48 Single		YC
	C	ZC	
80D	12.1	7.7	0.59
90D	12.1	7.7	1.02
100D	13.0	8.6	1.18
112D	13.0	8.6	1.18

Refer to page Engineering-3 for Input Shaft and Flange details.

QUANTIS

QUANTIS GOLD

ILH

RHB

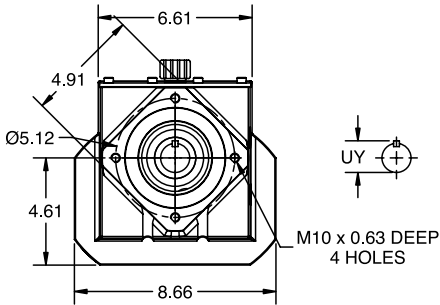
MSM

NOMENCLATURE PAGE ILH-4	MOUNTING POSITIONS PAGE ILH-7	STOCK/NON-STOCK PART NUMBERS PAGE ILH-67	WEIGHTS PAGE ILH-343
----------------------------	----------------------------------	---	-------------------------

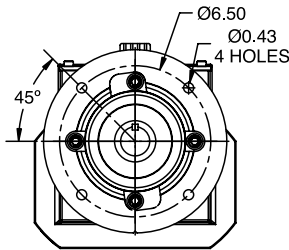
IN-LINE HELICAL GEAR REDUCER (ILH)

SIZE: HF48

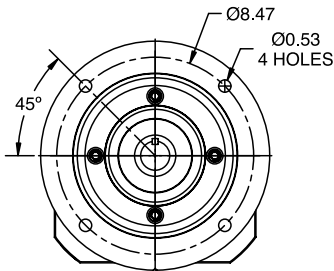
IEC D Flange (B5 Flange) - Flange Mounted (B5 / B14) - Clamp Collar / 3 Piece Coupled
Double/Triple Reduction



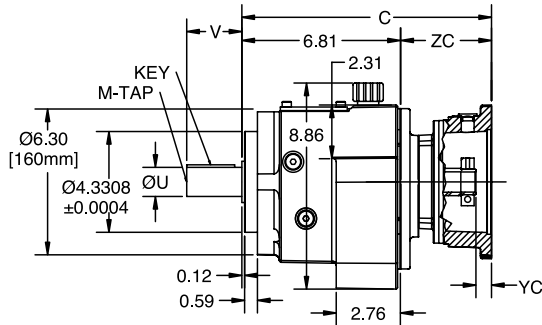
B14 OUTPUT FLANGE - Ø160mm



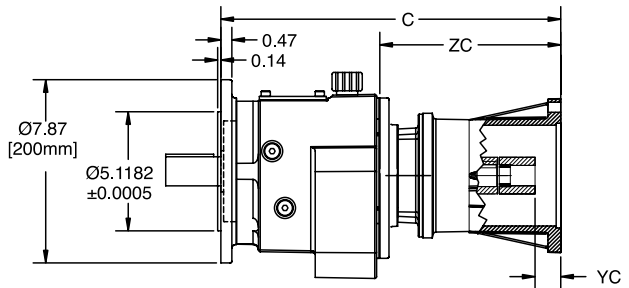
B5 OUTPUT FLANGE - Ø200mm



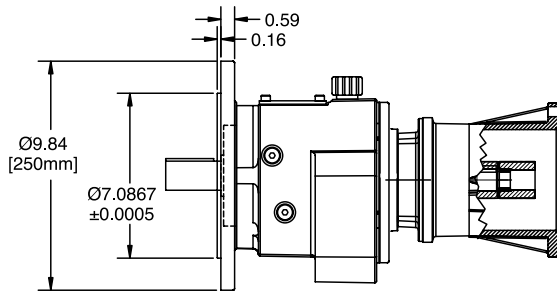
B5 OUTPUT FLANGE - Ø250mm



CLAMP COLLAR



THREE-PIECE COUPLED



METRIC OUTPUT SHAFT



NOMENCLATURE PAGE ILH-4	MOUNTING POSITIONS PAGE ILH-7	STOCK/NON-STOCK PART NUMBERS PAGE ILH-67	WEIGHTS PAGE ILH-343
----------------------------	----------------------------------	---	-------------------------

IN-LINE HELICAL GEAR REDUCER (ILH)

SIZE: HF48

IEC D Flange (B5 Flange) - Flange Mounted (B5 / B14) - Clamp Collar / 3 Piece Coupled
Double/Triple Reduction

Standard Output Shaft

Dimension - Inch/MM

ØU	tol.	UY	V	VO	KEY	M-TAP x DEPTH
1.250	+0.0000 -0.0005	1.36	2.36	-	1/4 x 1/4 x 2	3/8 - 16 UNC x 0.87
30	+0.015 +0.002	33	60	7	8 x 7 x 50	M10 x 22

Optional Output Shaft

Dimension - Inch/MM

ØU	tol.	UY	V	VO	KEY	M-TAP x DEPTH
1.625	+0.0000 -0.0005	1.79	3.15	-	3/8 x 3/8 x 2-5/8	5/8 - 11 UNC x 1.42
40	+0.018 +0.002	43	80	5	12 x 8 x 70	M16 x 36

IEC Motor Adapter - Clamp Collar

Dimension - Inch

	H48 Double		H48 Triple		YA	YB	YC
	C	ZC	C	ZC			
71D	9.35	2.54	10.02	3.21	0.39	0.18	0.16
80D	10.30	3.49	10.96	4.15	0.61	0.18	0.61
90D	10.30	3.49	10.96	4.15	0.61	0.18	0.61
100D	10.59	3.78	11.26	4.45	0.81	0.20	0.28
112D	10.93	4.12	-	-	0.75	0.20	0.28

IEC Motor Adapter - 3 Piece Coupled

Dimension - Inch

	H48 Double		H48 Triple		YA	YB	YC
	C	ZC	C	ZC			
80D	14.53	7.72	15.20	8.39	0.67	0.18	0.59
90D	14.53	7.72	15.20	8.39	0.67	0.18	1.02
100D	15.41	8.60	16.08	9.27	0.75	0.20	1.18
112D	15.37	8.56	-	-	0.75	0.20	1.18

Refer to page Engineering-3 for Input Shaft and Flange details.

NOMENCLATURE PAGE ILH-4	MOUNTING POSITIONS PAGE ILH-7	STOCK/NON-STOCK PART NUMBERS PAGE ILH-67	WEIGHTS PAGE ILH-343
----------------------------	----------------------------------	---	-------------------------

DIMENSIONS



QUANTIS

QUANTIS GOLD

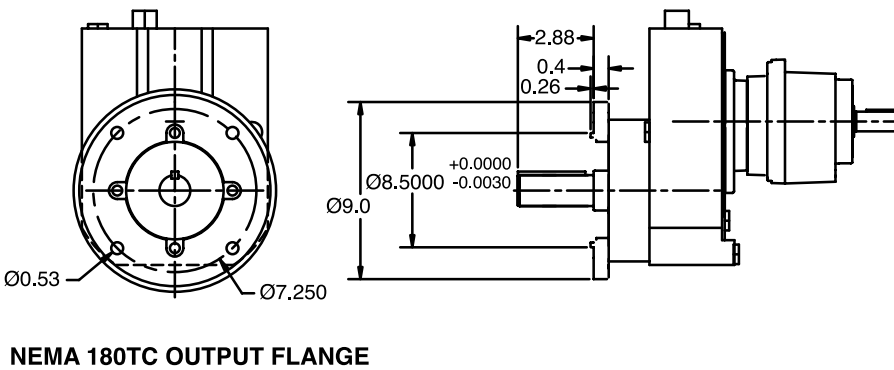
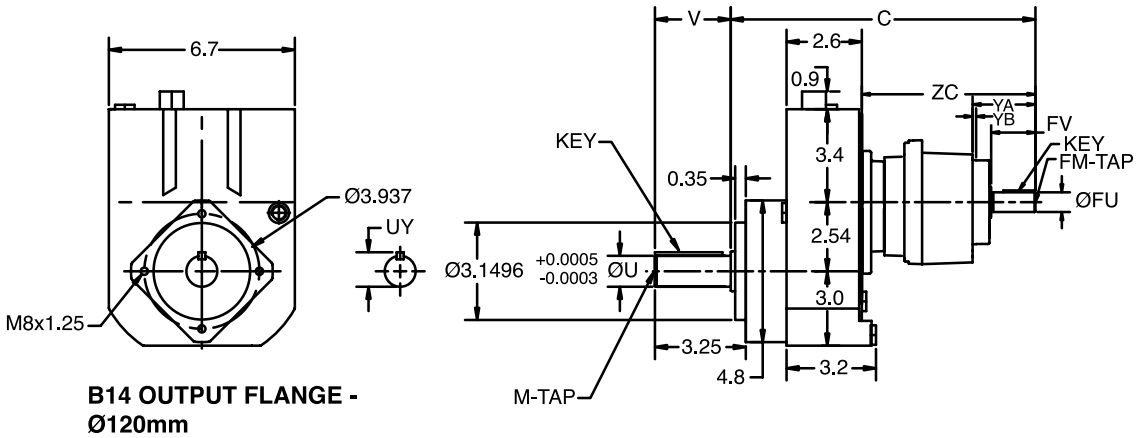
ILH

RHB

MSM

IN-LINE HELICAL GEAR REDUCER (ILH) Separate - Flange Mounted (B5 / B14 / NEMA) Single Reduction

SIZE: HF48



NOMENCLATURE PAGE ILH-4	MOUNTING POSITIONS PAGE ILH-7	STOCK/NON-STOCK PART NUMBERS PAGE ILH-67	WEIGHTS PAGE ILH-343
----------------------------	----------------------------------	---	-------------------------

DIMENSIONS



IN-LINE HELICAL GEAR REDUCER (ILH) Separate - Flange Mounted (B5 / B14 / NEMA) Single Reduction

SIZE: HF48

Standard Output Shaft

Dimension - Inch/MM

ØU	tol.	UY	V	VO	KEY	M-TAP x DEPTH
1.125	+0.000 -0.001	1.23	2.74	-	1/4 x 1/4 x 2.35	3/8-16 UNC
25	+0.015 +0.002	28	50	7	8 x 7 x 40	M10 x 22

Separate Input

Dimension - Inch/MM

	H48 Single		FO	FM x Depth	ØFU	tol.	FV	YA	YB	KEY
	C	ZC								
71	10.1	5.8	-	8-32 UNC x 0.49	0.625	+0.0000 -0.0005	1.57	2.4	0.16	3/16 x 3/16 x 1-5/16
	256	146	4	M5 x 12.5	16	+0.012 +0.001	40			5 x 5 x 32
80	11.5	7.1	-	1/4-20 UNC x 0.63	0.750	+0.0000 -0.0005	1.57	2.4	0.16	3/16 x 3/16 x 1-5/16
	291	181	4	M6 x 16	19	+0.015 +0.002	40			6 x 6 x 32
90	11.9	7.5	-	5/16-18 UNC x 0.75	0.875	+0.0000 -0.0005	1.97	2.8	0.16	3/16 x 3/16 x 1-5/8
	301	191	5	M8 x 19	24	+0.015 +0.002	50			8 x 7 x 40
100	12.5	8.2	-	3/8-16 UNC x 0.87	1.125	+0.0000 -0.0005	2.36	3.27	0.16	1/4 x 1/4 x 2
	317	207	5	M10 x 22	28	+0.015 +0.002	60			8 x 7 x 50
112	12.5	8.2	-	3/8-16 UNC x 0.87	1.250	+0.0000 -0.0005	2.36	3.27	0.16	1/4 x 1/4 x 2
	318	208	5	M10 x 22	28	+0.015 +0.002	60			8 x 7 x 50

Refer to page Engineering-4 for Input Shaft and Flange details.

NOMENCLATURE PAGE ILH-4	MOUNTING POSITIONS PAGE ILH-7	STOCK/NON-STOCK PART NUMBERS PAGE ILH-67	WEIGHTS PAGE ILH-343
----------------------------	----------------------------------	---	-------------------------

DIMENSIONS



QUANTIS

QUANTIS GOLD

ILH

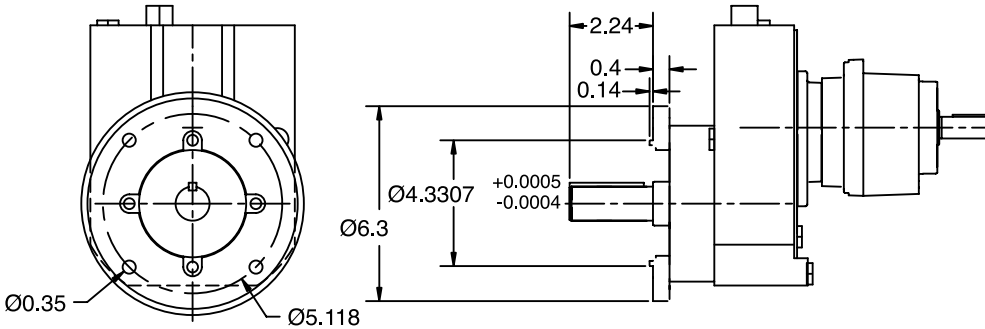
RHB

MSM

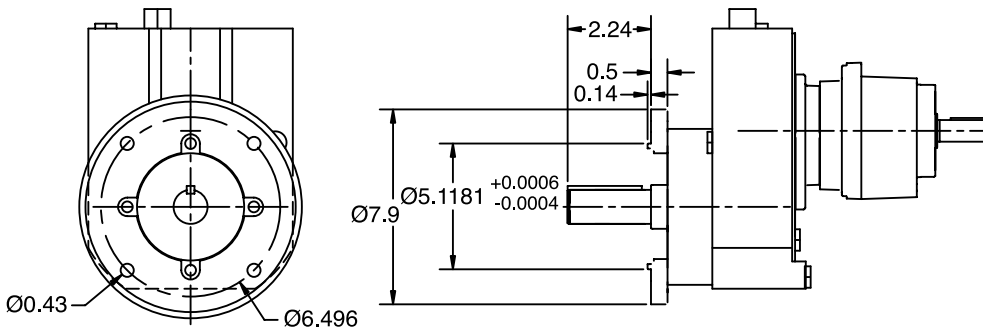
IN-LINE HELICAL GEAR REDUCER (ILH)

SIZE: HF48

Separate - Flange Mounted (B5 / B14 / NEMA)
Single Reduction

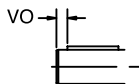


**B5 OUTPUT FLANGE -
Ø160mm**



**B5 OUTPUT FLANGE -
Ø200mm**

METRIC OUTPUT SHAFT



METRIC INPUT SHAFT



Refer to page ILH-186 for additional dimensions

NOMENCLATURE PAGE ILH-4	MOUNTING POSITIONS PAGE ILH-7	STOCK/NON-STOCK PART NUMBERS PAGE ILH-67	WEIGHTS PAGE ILH-343
----------------------------	----------------------------------	---	-------------------------

IN-LINE HELICAL GEAR REDUCER (ILH)

SIZE: HF48

Separate - Flange Mounted (B5 / B14 / NEMA)

Single Reduction

Standard Output Shaft

Dimension - Inch/MM

ØU	tol.	UY	V	VO	KEY	M-TAP x DEPTH
1.125	+0.000 -0.001	1.23	2.74	-	1/4 x 1/4 x 2.35	3/8-16 UNC
25	+0.015 +0.002	28	50	7	8 x 7 x 40	M10 x 22

Separate Input

Dimension - Inch/MM

	H48 Single		FO	FM x Depth	ØFU	tol.	FV	YA	YB	KEY
	C	ZC								
71	10.1	5.8	-	8-32 UNC x 0.49	0.625	+0.0000 -0.0005	1.57	2.4	0.16	3/16 x 3/16 x 1-5/16
	256	146	4	M5 x 12.5	16	+0.012 +0.001	40			5 x 5 x 32
80	11.5	7.1	-	1/4-20 UNC x 0.63	0.750	+0.0000 -0.0005	1.57	2.4	0.16	3/16 x 3/16 x 1-5/16
	291	181	4	M6 x 16	19	+0.015 +0.002	40			6 x 6 x 32
90	11.9	7.5	-	5/16-18 UNC x 0.75	0.875	+0.0000 -0.0005	1.97	2.8	0.16	3/16 x 3/16 x 1-5/8
	301	191	5	M8 x 19	24	+0.015 +0.002	50			8 x 7 x 40
100	12.5	8.2	-	3/8-16 UNC x 0.87	1.125	+0.0000 -0.0005	2.36	3.27	0.16	1/4 x 1/4 x 2
	317	207	5	M10 x 22	28	+0.015 +0.002	60			8 x 7 x 50
112	12.5	8.2	-	3/8-16 UNC x 0.87	1.250	+0.0000 -0.0005	2.36	3.27	0.16	1/4 x 1/4 x 2
	318	208	5	M10 x 22	28	+0.015 +0.002	60			8 x 7 x 50

Refer to page Engineering-4 for Input Shaft and Flange details.

NOMENCLATURE PAGE ILH-4	MOUNTING POSITIONS PAGE ILH-7	STOCK/NON-STOCK PART NUMBERS PAGE ILH-67	WEIGHTS PAGE ILH-343
----------------------------	----------------------------------	---	-------------------------

DIMENSIONS

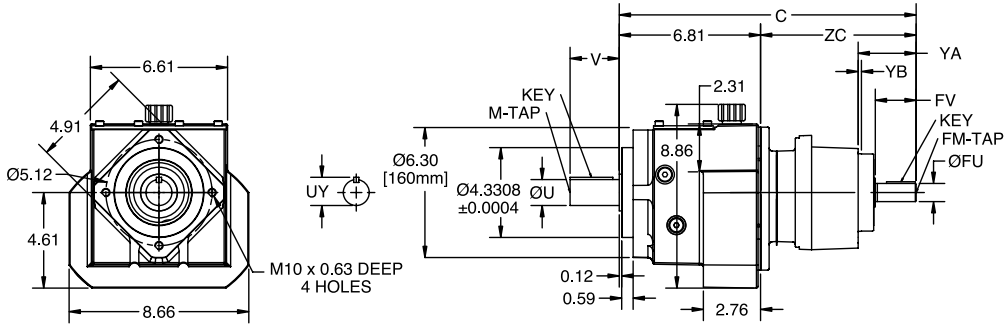


IN-LINE HELICAL GEAR REDUCER (ILH)

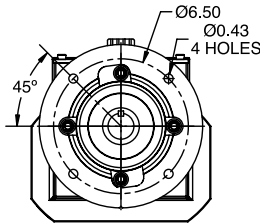
SIZE: HF48

Separate - Flange Mounted (B5 / B14)

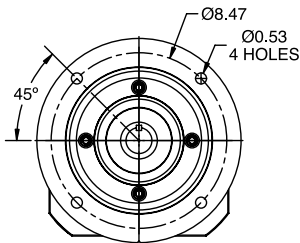
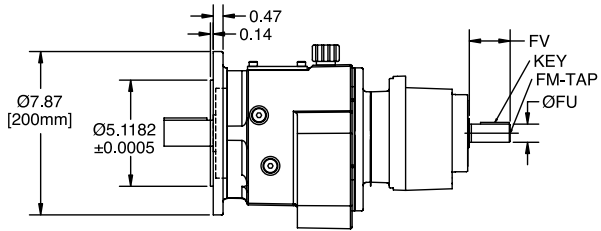
Double/Triple Reduction



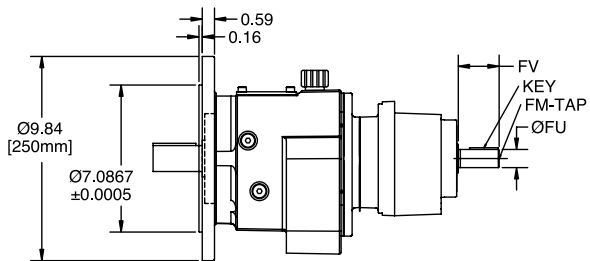
B14 OUTPUT FLANGE - Ø160mm



B5 OUTPUT FLANGE - Ø200mm



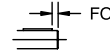
B5 OUTPUT FLANGE - Ø250mm



METRIC OUTPUT SHAFT



METRIC INPUT SHAFT



NOMENCLATURE
PAGE ILH-4

MOUNTING POSITIONS
PAGE ILH-7

STOCK/NON-STOCK PART NUMBERS
PAGE ILH-67

WEIGHTS
PAGE ILH-343

IN-LINE HELICAL GEAR REDUCER (ILH)

Separate - Flange Mounted (B5 / B14)
Double/Triple Reduction

SIZE: HF48

Standard Output Shaft					Dimension - Inch/MM	
ØU	tol.	UY	V	VO	KEY	M-TAP x DEPTH
1.250	+0.0000 -0.0005	1.36	2.36	-	1/4 x 1/4 x 2	3/8 - 16 UNC x 0.87
30	+0.015 +0.002	33	60	7	8 x 7 x 50	M10 x 22

Optional Output Shaft					Dimension - Inch/MM	
ØU	tol.	UY	V	VO	KEY	M-TAP x DEPTH
1.625	+0.0000 -0.0005	1.79	3.15	-	3/8 x 3/8 x 2-5/8	5/8 - 11 UNC x 1.42
40	+0.018 +0.002	43	80	5	12 x 8 x 70	M16 x 36

Separate Input					Dimension - Inch/MM							
	H48 Double		H48 Triple		FO	FM x Depth	ØFU	tol.	FV	YA	YB	KEY
	C	ZC	C	ZC								
71	12.56	5.75	13.23	6.42	-	8-32 UNC x 0.49	0.625	+0.0000 -0.0005	1.57	2.40	0.16	3/16 x 3/16 x 1-5/16
	319	146	336	163	4	M5 x 12.5	16	+0.012 +0.001	40			5 x 5 x 32
80	13.94	7.13	14.61	7.80	-	1/4-20 UNC x 0.63	0.750	+0.0000 -0.0005	1.57	2.40	0.16	3/16 x 3/16 x 1-5/16
	354	181	371	198	4	M6 x 16	19	+0.015 +0.002	40			6 x 6 x 32
90	14.33	7.52	15.00	8.19	-	5/16-18 UNC x 0.75	0.875	+0.0000 -0.0005	1.97	2.80	0.16	3/16 x 3/16 x 1-5/8
	364	191	381	208	5	M8 x 19	24	+0.015 +0.002	50			8 x 7 x 40
100	14.96	8.15	15.63	8.82	-	3/8 - 16 UNC x 0.87	1.125	+0.0000 -0.0005	2.36	3.27	0.16	1/4 x 1/4 x 2
	380	207	397	224	5	M10 x 22	28	+0.015 +0.002	60			8 x 7 x 50
112	15.00	8.19	-	-	-	3/8 x UNC x 0.87	1.25	+0.0000 -0.0005	2.36	3.27	0.16	1/4 x 1/4 x 2
	381	208	-	-	5	M10 x 22	28	+0.015 +0.002	60			8 x 7 x 50

Refer to page Engineering-4 for Input Shaft and Flange details.

NOMENCLATURE PAGE ILH-4	MOUNTING POSITIONS PAGE ILH-7	STOCK/NON-STOCK PART NUMBERS PAGE ILH-67	WEIGHTS PAGE ILH-343
----------------------------	----------------------------------	---	-------------------------

DIMENSIONS

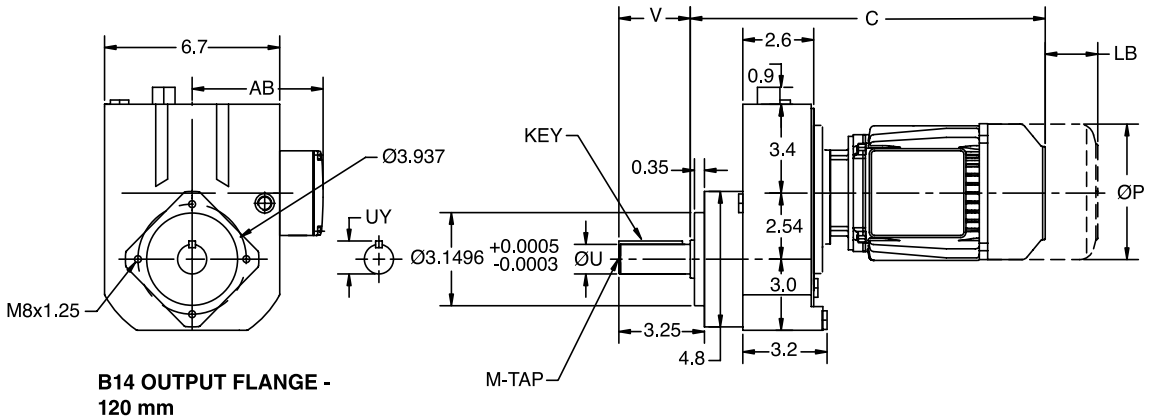


QUANTIS

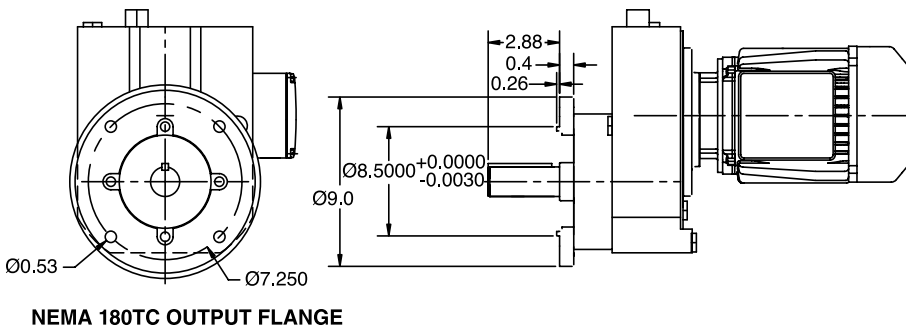
IN-LINE HELICAL GEAR REDUCER (ILH) Integral Gearmotor - Flange Mounted (B5 / B14 / NEMA) Single Reduction

SIZE: HF48

QUANTIS GOLD



ILH



RHB

MSM

NOMENCLATURE
PAGE ILH-4

MOUNTING POSITIONS
PAGE ILH-7

STOCK/NON-STOCK PART NUMBERS
PAGE ILH-67

WEIGHTS
PAGE ILH-343

DIMENSIONS



IN-LINE HELICAL GEAR REDUCER (ILH) Integral Gearmotor - Flange Mounted (B5 / B14 / NEMA) Single Reduction

SIZE: HF48

Standard Output Shaft

Dimension - Inch/MM

ØU	tol.	UY	V	VO	KEY	M-TAP x DEPTH
1.125	+0.000 -0.001	1.23	2.74	-	1/4 x 1/4 x 2.35	3/8-16 UNC
25	+0.015 +0.002	28	50	7	8 x 7 x 40	M10 x 22

Motor

Dimension - Inch/MM

Frame	H48 Single		P	AB
	C	LB		
71C4 / 71D4 / 71E4	14.69	1.81	6.19	5.18
	374	46	158	132
80F4	14.85	2.56	6.19	5.12
	378	65	158	131
80G4	16.35	2.56	6.19	5.12
	416	65	158	131
90H4	16.23	2.52	7.19	5.79
	413	64	183	148
90I4	17.13	2.52	7.19	5.79
	436	64	183	148
100J4	19.12	2.91	7.19	5.79
	486	74	183	148
112L4	20.86	2.91	8.6	6.88
	530	74	219	175

QUANTIS

QUANTIS GOLD

ILH

RHB

MSM

NOMENCLATURE PAGE ILH-4	MOUNTING POSITIONS PAGE ILH-7	STOCK/NON-STOCK PART NUMBERS PAGE ILH-67	WEIGHTS PAGE ILH-343
----------------------------	----------------------------------	---	-------------------------

DIMENSIONS



QUANTIS

QUANTIS GOLD

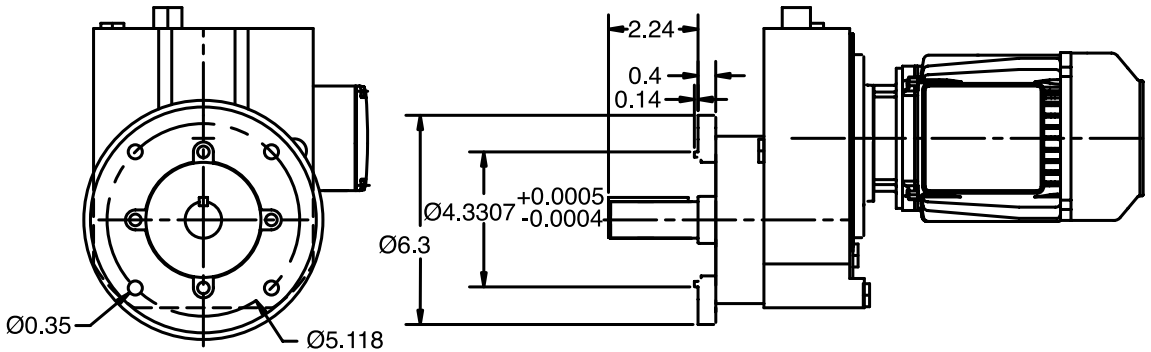
ILH

RHB

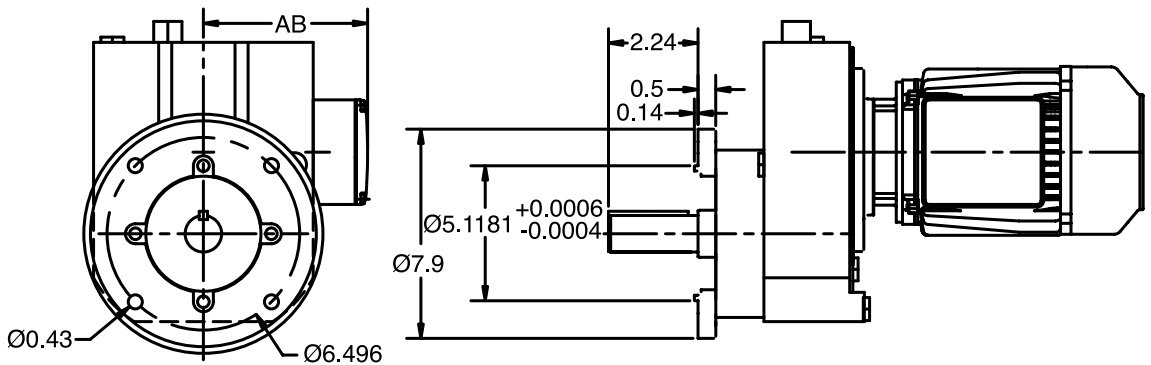
MSM

IN-LINE HELICAL GEAR REDUCER (ILH) Integral Gearmotor - Flange Mounted (B5 / B14 / NEMA) Single Reduction

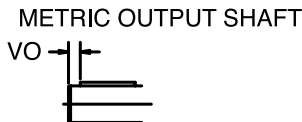
SIZE: HF48



**B5 OUTPUT FLANGE-
Ø160mm**



**B5 OUTPUT FLANGE-
Ø200mm**



Refer to page ILH-192 for additional dimensions

NOMENCLATURE PAGE ILH-4	MOUNTING POSITIONS PAGE ILH-7	STOCK/NON-STOCK PART NUMBERS PAGE ILH-67	WEIGHTS PAGE ILH-343
----------------------------	----------------------------------	---	-------------------------

DIMENSIONS



IN-LINE HELICAL GEAR REDUCER (ILH) Integral Gearmotor - Flange Mounted (B5 / B14 / NEMA) Single Reduction

SIZE: HF48

Standard Output Shaft					Dimension - Inch/MM	
ØU	tol.	UY	V	VO	KEY	M-TAP x DEPTH
1.125	+0.000 -0.001	1.23	2.74	-	1/4 x 1/4 x 2.35	3/8-16 UNC
25	+0.015 +0.002	28	50	7	8 x 7 x 40	M10 x 22

Frame	H48 Single		P	AB
	C	LB		
	71C4 / 71D4 / 71E4	14.69 374		
80F4	14.85 378	2.56 65	6.19 158	5.12 131
80G4	16.35 416	2.56 65	6.19 158	5.12 131
90H4	16.23 413	2.52 64	7.19 183	5.79 148
90I4	17.13 436	2.52 64	7.19 183	5.79 148
100J4	19.12 486	2.91 74	7.19 183	5.79 148
112L4	20.86 530	2.91 74	8.6 219	6.88 175

QUANTIS

QUANTIS GOLD

ILH

RHB

MSM

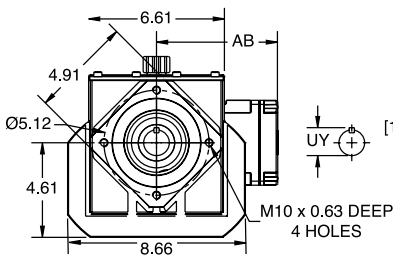
NOMENCLATURE PAGE ILH-4	MOUNTING POSITIONS PAGE ILH-7	STOCK/NON-STOCK PART NUMBERS PAGE ILH-67	WEIGHTS PAGE ILH-343
----------------------------	----------------------------------	---	-------------------------

DIMENSIONS

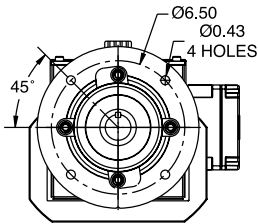
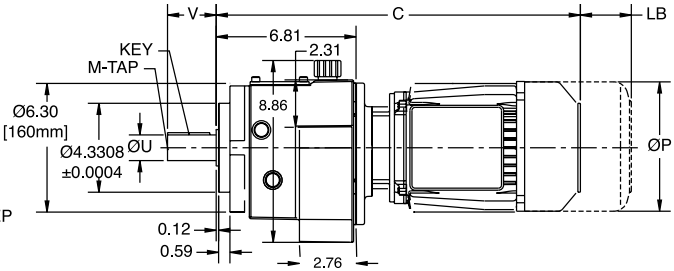


IN-LINE HELICAL GEAR REDUCER (ILH) Integral Gearmotor - Flange Mounted (B5 / B14) Double/Triple Reduction

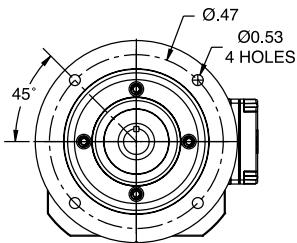
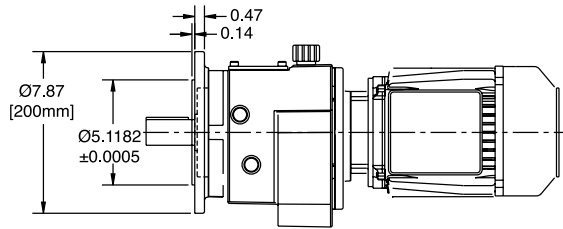
SIZE: HF48



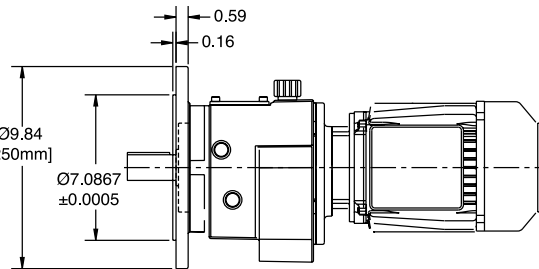
**B14 OUTPUT FLANGE -
Ø160mm**



**B5 OUTPUT FLANGE -
Ø200mm**



**B5 OUTPUT FLANGE -
Ø250mm**



METRIC OUTPUT SHAFT



QUANTIS

QUANTIS GOLD

ILH

RHB

MSM

NOMENCLATURE
PAGE ILH-4

MOUNTING POSITIONS
PAGE ILH-7

STOCK/NON-STOCK PART NUMBERS
PAGE ILH-67

WEIGHTS
PAGE ILH-343

DIMENSIONS



IN-LINE HELICAL GEAR REDUCER (ILH) Integral Gearmotor - Flange Mounted (B5 / B14) Double/Triple Reduction

SIZE: HF48

Standard Output Shaft

Dimension - Inch/MM

ØU	tol.	UY	V	VO	KEY	M-TAP x DEPTH
1.250	+0.0000 -0.0005	1.36	2.36	-	1/4 x 1/4 x 2	3/8 - 16 UNC x 0.87
30	+0.015 +0.002	33	60	7	8 x 7 x 50	M10 x 22

Optional Output Shaft

Dimension - Inch/MM

ØU	tol.	UY	V	VO	KEY	M-TAP x DEPTH
1.625	+0.0000 -0.0005	1.79	3.15	-	3/8 x 3/8 x 2-5/8	5/8 - 11 UNC x 1.42
40	+0.018 +0.002	43	80	5	12 x 8 x 70	M16 x 36

Motor

Dimension - Inch/MM

Frame	H48 Double		H48 Triple		P	AB
	C	LB	C	LB		
71C4 / 71D4 / 71E4	17.14	1.81	17.81	1.81	6.19	5.18
	436	46	453	46	158	132
80F4	17.28	2.56	17.95	2.56	6.19	5.12
	439	65	456	65	158	131
80G4	18.78	2.56	19.45	2.56	6.19	5.12
	478	65	495	65	158	131
90H4	18.71	2.52	19.38	2.52	7.19	5.79
	476	64	493	64	183	148
90I4	19.59	2.52	20.26	2.52	7.19	5.79
	498	64	515	64	183	148
100J4	21.6	2.91	22.26	2.91	7.19	5.79
	549	74	566	74	183	148
112L4	23.32	2.91	-	-	8.6	6.88
	593	74	-	-	219	175

NOMENCLATURE PAGE ILH-4	MOUNTING POSITIONS PAGE ILH-7	STOCK/NON-STOCK PART NUMBERS PAGE ILH-67	WEIGHTS PAGE ILH-343
----------------------------	----------------------------------	---	-------------------------

DIMENSIONS



QUANTIS

QUANTIS GOLD

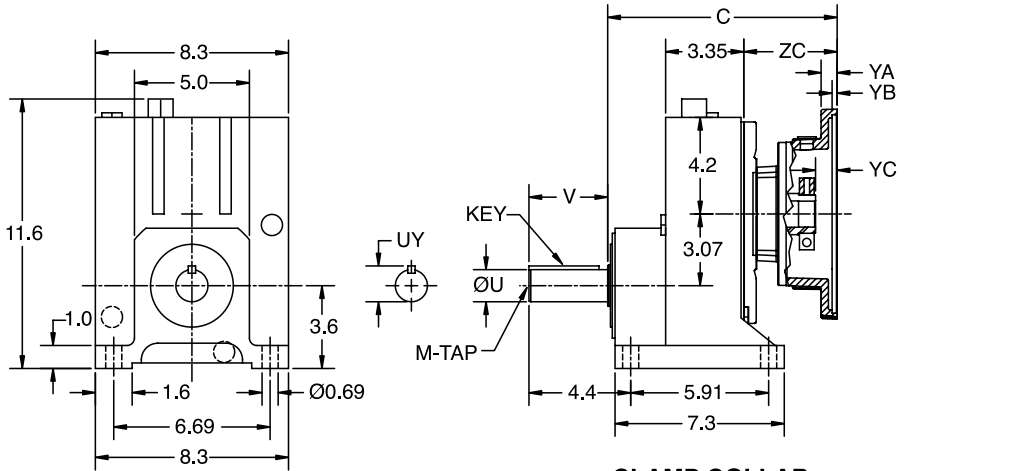
ILH

RHB

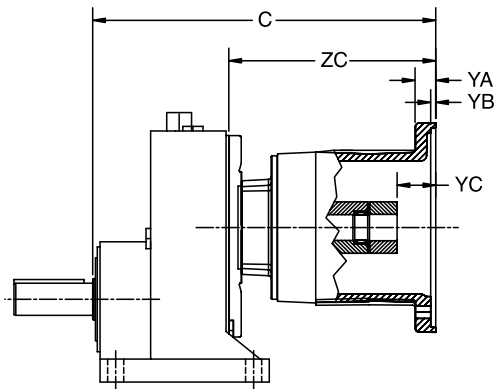
MSM

IN-LINE HELICAL GEAR REDUCER (ILH) NEMA C-Face - Foot Mounted - Clamp Collar / 3 Piece Coupled Single Reduction

SIZE: HB68

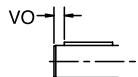


CLAMP COLLAR



THREE-PIECE COUPLED

METRIC OUTPUT SHAFT



<p>NOMENCLATURE PAGE ILH-4</p>	<p>MOUNTING POSITIONS PAGE ILH-7</p>	<p>STOCK/NON-STOCK PART NUMBERS PAGE ILH-67</p>	<p>WEIGHTS PAGE ILH-343</p>
------------------------------------	--	---	---------------------------------

DIMENSIONS



IN-LINE HELICAL GEAR REDUCER (ILH) NEMA C-Face - Foot Mounted - Clamp Collar / 3 Piece Coupled Single Reduction

SIZE: HB68

Standard Output Shaft					Dimension - Inch/MM	
ØU	tol.	UY	V	VO	KEY	M-TAP x DEPTH
1.375	+0.000 -0.001	1.51	3.37	-	5/16 x 5/16 x 3.00	3/8-16 UNC
30	+0.015 +0.002	33	60	7	8 x 7 x 50	M10 x 22

NEMA Motor Adapter - Clamp Collar			Dimension - Inch		
	H68 Single		YA	YB	YC
	C	ZC			
56C	8.9	3.0	0.47	0.20	0.67
140TC	9.6	3.7	0.47	0.20	0.67
180TC	11.0	5.2	0.73	0.22	0.91
210TC	12.9	7.1	0.69	0.22	0.89

NEMA Motor Adapter - 3 Piece Coupled			Dimension - Inch		
	H68 Single		YA	YB	YC
	C	ZC			
56C	12.0	6.2	0.55	0.20	1.08
140TC	13.4	7.6	0.55	0.20	1.10
180TC	14.6	8.8	0.73	0.22	1.65
210TC	16.6	10.7	0.87	0.22	2.01

Refer to page Engineering-2 for Input Shaft and Flange details.

QUANTIS

QUANTIS GOLD

ILH

RHB

MSM

NOMENCLATURE PAGE ILH-4	MOUNTING POSITIONS PAGE ILH-7	STOCK/NON-STOCK PART NUMBERS PAGE ILH-67	WEIGHTS PAGE ILH-343
----------------------------	----------------------------------	---	-------------------------

DIMENSIONS



QUANTIS

QUANTIS GOLD

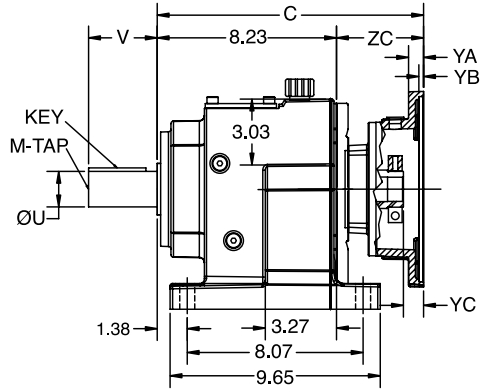
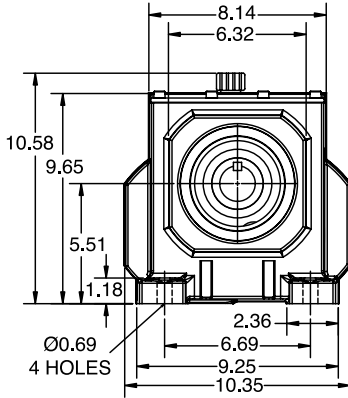
ILH

RHB

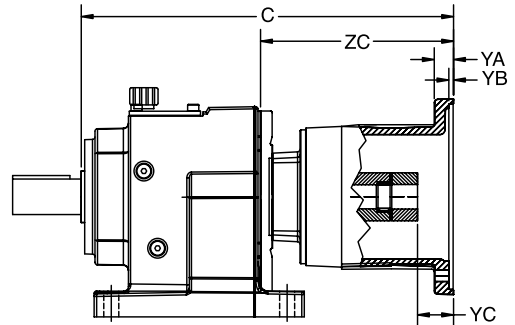
MSM

IN-LINE HELICAL GEAR REDUCER (ILH) NEMA C-Face - Foot Mounted - Clamp Collar / 3 Piece Coupled Double/Triple Reduction

SIZE: HB68

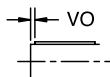


CLAMP COLLAR



THREE-PIECE COUPLED

METRIC OUTPUT SHAFT



NOMENCLATURE PAGE ILH-4	MOUNTING POSITIONS PAGE ILH-7	STOCK/NON-STOCK PART NUMBERS PAGE ILH-67	WEIGHTS PAGE ILH-343
----------------------------	----------------------------------	---	-------------------------

DIMENSIONS



IN-LINE HELICAL GEAR REDUCER (ILH) NEMA C-Face - Foot Mounted - Clamp Collar / 3 Piece Coupled Double/Triple Reduction

SIZE: HB68

Standard Output Shaft					Dimension - Inch/MM	
ØU	tol.	UY	V	VO	KEY	M-TAP x DEPTH
1.625	+0.0000 -0.0010	1.79	3.15	-	3/8 x 3/8 x 2-5/8	5/8 - 11 UNC x 1.42
40	+0.018 +0.002	43	80	5	12 x 8 x 70	M16 x 36

Optional Output Shaft					Dimension - Inch/MM	
ØU	tol.	UY	V	VO	KEY	M-TAP x DEPTH
2.125	+0.0000 -0.0010	2.35	3.94	-	1/2 x 1/2 x 3-1/4	3/4 - 10 UNC x 1.65
50	+0.018 +0.002	54	100	10	14 x 9 x 80	M16 x 36

NEMA Motor Adapter - Clamp Collar					Dimension - Inch		
	H68 Double		H68 Triple		YA	YB	YC
	C	ZC	C	ZC			
56C	11.24	3.01	11.97	3.74	0.47	0.20	0.67
140TC	11.91	3.68	12.64	4.41	0.47	0.20	0.67
180TC	13.41	5.18	14.21	5.98	0.73	0.22	0.91
210TC	15.33	7.10	-	-	0.69	0.22	0.89

NEMA Motor Adapter - 3 Piece Coupled					Dimension - Inch		
	H68 Double		H68 Triple		YA	YB	YC
	C	ZC	C	ZC			
56C	14.37	6.14	15.10	6.87	0.55	0.20	1.08
140TC	15.79	7.56	16.52	8.29	0.55	0.20	1.10
180TC	16.99	8.76	17.80	9.57	0.73	0.22	1.65
210TC	19.14	10.91	-	-	0.87	0.22	2.01

Refer to page Engineering-2 for Input Shaft and Flange details.

NOMENCLATURE PAGE ILH-4	MOUNTING POSITIONS PAGE ILH-7	STOCK/NON-STOCK PART NUMBERS PAGE ILH-67	WEIGHTS PAGE ILH-343
----------------------------	----------------------------------	---	-------------------------

DIMENSIONS



QUANTIS

QUANTIS GOLD

ILH

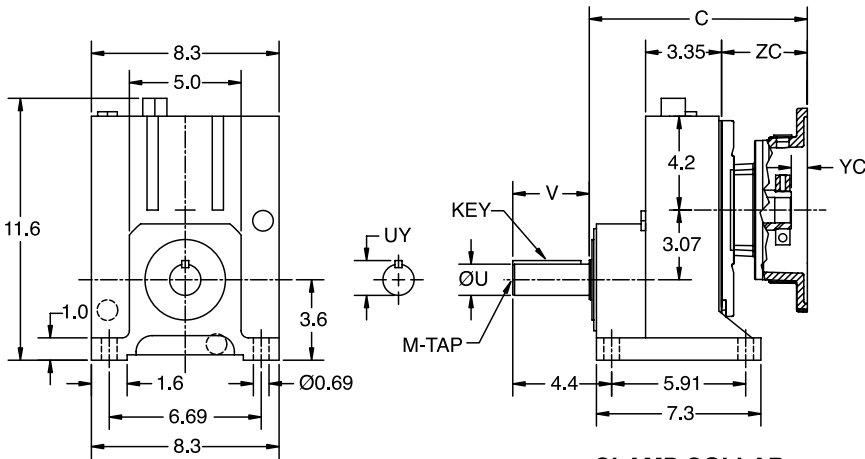
RHB

MSM

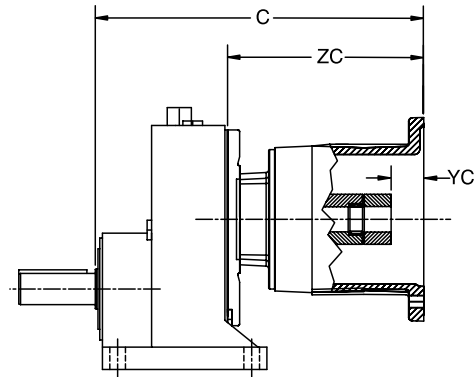
IN-LINE HELICAL GEAR REDUCER (ILH)

SIZE: HB68

IEC D Flange (B5 Input) - Foot Mounted - Clamp Collar / 3 Piece Coupled
Single Reduction

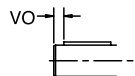


CLAMP COLLAR



THREE-PIECE COUPLED

METRIC OUTPUT SHAFT



<p>NOMENCLATURE PAGE ILH-4</p>	<p>MOUNTING POSITIONS PAGE ILH-7</p>	<p>STOCK/NON-STOCK PART NUMBERS PAGE ILH-67</p>	<p>WEIGHTS PAGE ILH-343</p>
------------------------------------	--	---	---------------------------------

DIMENSIONS



IN-LINE HELICAL GEAR REDUCER (ILH) IEC D Flange (B5 Input) - Foot Mounted - Clamp Collar / 3 Piece Coupled Single Reduction

SIZE: HB68

Standard Output Shaft			Dimension - Inch/MM			
ØU	tol.	UY	V	VO	KEY	M-TAP x DEPTH
1.375	+0.000 -0.001	1.51	3.37	-	5/16 x 5/16 x 3.00	3/8-16 UNC
30	+0.015 +0.002	33	60	7	8 x 7 x 50	M10 x 22

IEC Motor Adapter - Clamp Collar	H68 Single		YC
	C	ZC	
71D	8.2	2.3	0.16
80D	9.1	3.3	0.61
90D	9.1	3.3	0.61
100D	9.4	3.6	0.28
112D	9.7	3.8	0.28
132D	11.3	5.4	0.87

IEC Motor Adapter - 3 Piece Coupled	H68 Single		YC
	C	ZC	
80D	13.4	7.5	0.59
90D	13.4	7.5	1.02
100D	14.2	8.4	1.18
112D	14.1	8.3	1.18
132D	16.5	10.7	1.77

Refer to page Engineering-3 for Input Shaft and Flange details.

NOMENCLATURE PAGE ILH-4	MOUNTING POSITIONS PAGE ILH-7	STOCK/NON-STOCK PART NUMBERS PAGE ILH-67	WEIGHTS PAGE ILH-343
----------------------------	----------------------------------	---	-------------------------

DIMENSIONS



QUANTIS

QUANTIS GOLD

ILH

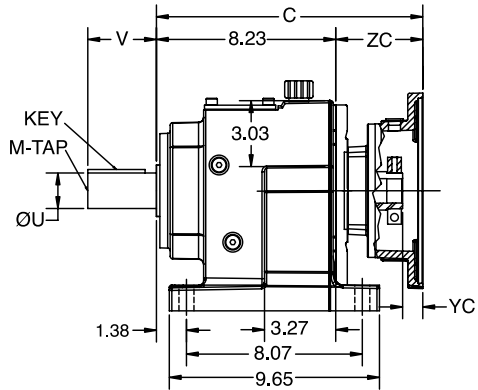
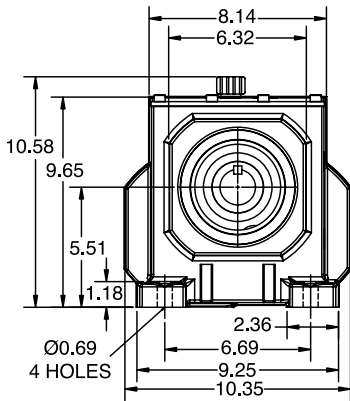
RHB

MSM

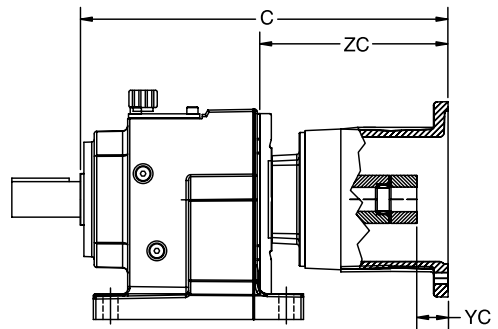
IN-LINE HELICAL GEAR REDUCER (ILH)

SIZE: HB68

IEC D Flange (B5 Flange) - Foot Mounted - Clamp Collar / 3 Piece Coupled
Double/Triple Reduction

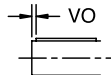


CLAMP COLLAR



THREE-PIECE COUPLED

METRIC OUTPUT SHAFT



NOMENCLATURE
PAGE ILH-4

MOUNTING POSITIONS
PAGE ILH-7

STOCK/NON-STOCK PART NUMBERS
PAGE ILH-67

WEIGHTS
PAGE ILH-343

IN-LINE HELICAL GEAR REDUCER (ILH)

SIZE: HB68

IEC D Flange (B5 Flange) - Foot Mounted - Clamp Collar / 3 Piece Coupled
Double/Triple Reduction

Standard Output Shaft

Dimension - Inch/MM

ØU	tol.	UY	V	VO	KEY	M-TAP x DEPTH
1.625	+0.0000 -0.0010	1.79	3.15	-	3/8 x 3/8 x 2-5/8	5/8 - 11 UNC x 1.42
40	+0.018 +0.002	43	80	5	12 x 8 x 70	M16 x 36

Optional Output Shaft

Dimension - Inch/MM

ØU	tol.	UY	V	VO	KEY	M-TAP x DEPTH
2.125	+0.0000 -0.0010	2.35	3.94	-	1/2 x 1/2 x 3-1/4	3/4 - 10 UNC x 1.65
50	+0.018 +0.002	54	100	10	14 x 9 x 80	M16 x 36

IEC Motor Adapter - Clamp Collar

Dimension - Inch

	H68 Double		H68 Triple		YC
	C	ZC	C	ZC	
71D	10.53	2.30	11.26	3.03	0.16
80D	11.48	3.25	12.21	3.98	0.61
90D	11.48	3.25	12.21	3.98	0.61
100D	11.77	3.54	12.50	4.27	0.28
112D	12.03	3.80	-	-	0.28
132D (J)	13.64	5.41	-	-	0.87

IEC Motor Adapter - 3 Piece Coupled

Dimension - Inch

	H68 Double		H68 Triple		YC
	C	ZC	C	ZC	
80D	15.71	7.48	16.44	8.21	0.59
90D	15.71	7.48	16.44	8.21	1.02
100D	16.60	8.37	17.32	9.09	1.18
112D	16.48	8.25	-	-	1.18
132D (J)	18.90	10.67	-	-	1.77

(J) See Footnote page on inside back cover

Refer to page Engineering-3 for Input Shaft and Flange details.

NOMENCLATURE PAGE ILH-4	MOUNTING POSITIONS PAGE ILH-7	STOCK/NON-STOCK PART NUMBERS PAGE ILH-67	WEIGHTS PAGE ILH-343
----------------------------	----------------------------------	---	-------------------------

DIMENSIONS



QUANTIS

QUANTIS GOLD

ILH

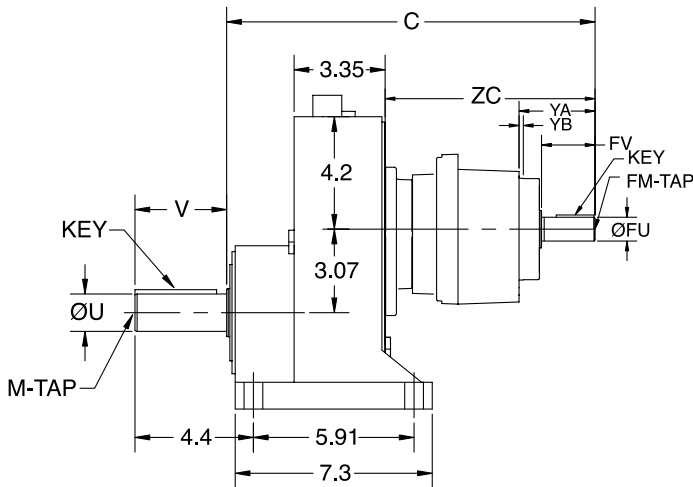
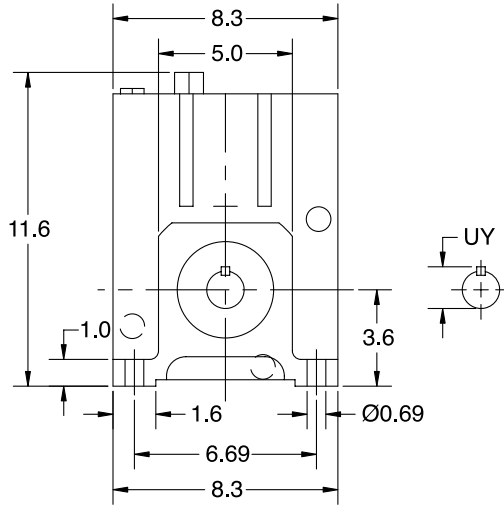
RHB

MSM

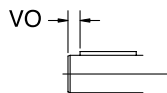
IN-LINE HELICAL GEAR REDUCER (ILH)

SIZE: HB68

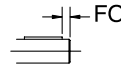
Separate - Foot Mounted
Single Reduction



METRIC OUTPUT SHAFT



METRIC INPUT SHAFT



NOMENCLATURE
PAGE ILH-4

MOUNTING POSITIONS
PAGE ILH-7

STOCK/NON-STOCK PART NUMBERS
PAGE ILH-67

WEIGHTS
PAGE ILH-343

IN-LINE HELICAL GEAR REDUCER (ILH)

SIZE: HB68

Separate - Foot Mounted
Single Reduction

Standard Output Shaft

Dimension - Inch/MM

ØU	tol.	UY	V	VO	KEY	M-TAP x DEPTH
1.375	+0.000 -0.001	1.51	3.37	-	5/16 x 5/16 x 3.00	3/8-16 UNC
30	+0.015 +0.002	33	60	7	8 x 7 x 50	M10 x 22

Separate Input

Dimension - Inch/MM

	H68 Single		FO	FM x Depth	ØFU	tol.	FV	YA	YB	KEY
	C	ZC								
71	11.4	5.5	-	8-32 UNC x 0.49	0.625	+0.0000 -0.0005	1.57	2.4	0.16	3/16 x 3/16 x 1-5/16
	288	140	4	M5 x 12.5	16	+0.012 +0.001	40			5 x 5 x 32
80	12.7	6.9	-	1/4-20 UNC x 0.63	0.75	+0.0000 -0.0005	1.57	2.4	0.16	3/16 x 3/16 x 1-5/16
	323	175	4	M6 x 16	19	+0.015 +0.002	40			6 x 6 x 32
90	13.1	7.3	-	5/16-18 UNC x 0.75	0.875	+0.0000 -0.0005	1.97	2.8	0.16	3/16 x 3/16 x 1-5/8
	333	185	5	M8 x 19	24	+0.015 +0.002	50			8 x 7 x 40
100	13.8	7.9	-	3/8-16 UNC x 0.87	1.125	+0.0000 -0.0005	2.36	3.27	0.16	1/4 x 1/4 x 2
	349	201	5	M10 x 22	28	+0.015 +0.002	60			8 x 7 x 50
112	13.8	7.9	-	3/8-16 UNC x 0.87	1.250	+0.0000 -0.0005	2.36	3.27	0.16	1/4 x 1/4 x 2
	348	200	5	M10 x 22	28	+0.015 +0.002	60			8 x 7 x 50
132	17.1	11.2	-	3/8-16 UNC x 1.10	1.375	+0.0000 -0.0005	3.15	6.61	0.14	5/16 x 5/16 x 2-3/4
	432	284	5	M12 x 28	38	+0.018 +0.002	80			10 x 8 x 70

Refer to page Engineering-4 for Input Shaft and Flange details.

NOMENCLATURE PAGE ILH-4	MOUNTING POSITIONS PAGE ILH-7	STOCK/NON-STOCK PART NUMBERS PAGE ILH-67	WEIGHTS PAGE ILH-343
----------------------------	----------------------------------	---	-------------------------

DIMENSIONS



QUANTIS

QUANTIS GOLD

ILH

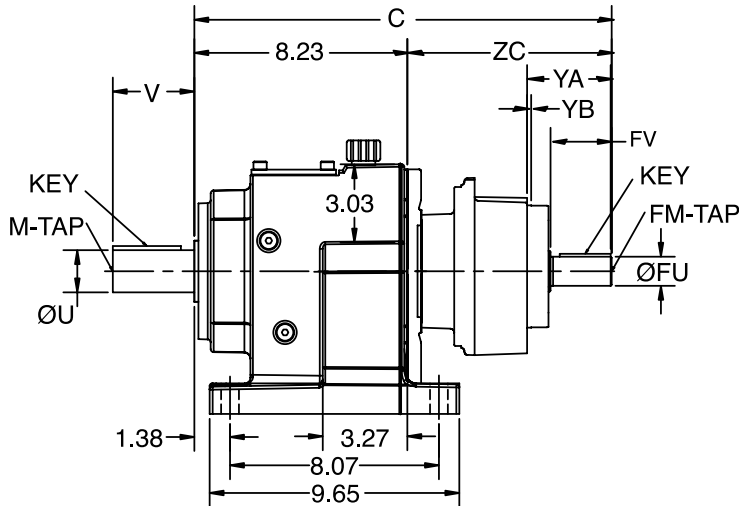
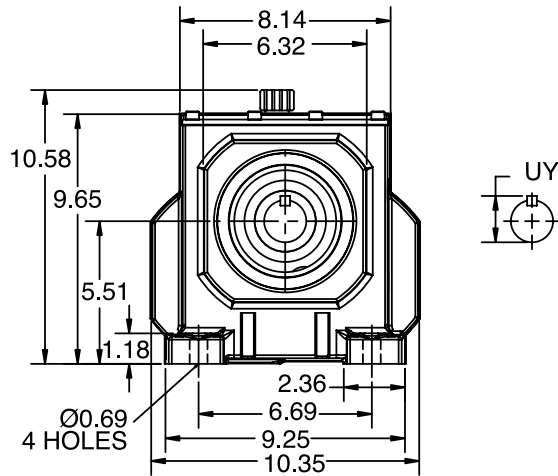
RHB

MSM

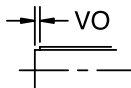
IN-LINE HELICAL GEAR REDUCER (ILH)

SIZE: HB68

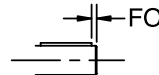
Separate - Foot Mounted
Double/Triple Reduction



METRIC OUTPUT SHAFT



METRIC INPUT SHAFT



NOMENCLATURE
PAGE ILH-4

MOUNTING POSITIONS
PAGE ILH-7

STOCK/NON-STOCK PART NUMBERS
PAGE ILH-67

WEIGHTS
PAGE ILH-343

IN-LINE HELICAL GEAR REDUCER (ILH)

SIZE: HB68

Separate - Foot Mounted
Double/Triple Reduction

Standard Output Shaft

Dimension - Inch/MM

ØU	tol.	UY	V	VO	KEY	M-TAP x DEPTH
1.625	+0.0000 -0.0010	1.79	3.15	-	3/8 x 3/8 x 2-5/8	5/8 - 11 UNC x 1.42
40	+0.018 +0.002	43	80	5	12 x 8 x 70	M16 x 36

Optional Output Shaft

Dimension - Inch/MM

ØU	tol.	UY	V	VO	KEY	M-TAP x DEPTH
2.125	+0.0000 -0.0010	2.35	3.94	-	1/2 x 1/2 x 3-1/4	3/4 - 10 UNC x 1.65
50	+0.018 +0.002	54	100	10	14 x 9 x 80	M16 x 36

Separate Input

Dimension - Inch/MM

	H68 Double		H68 Triple		FO	FM x Depth	ØFU	tol.	FV	YA	YB	KEY
	C	ZC	C	ZC								
71	13.74	5.51	14.45	6.22	-	8-32 UNC x 0.49	0.625	+0.0000 -0.0005	1.57	2.40	0.16	3/16 x 3/16 x 1-5/16
	349	140	367	158	4	M5 x 12.5	16	+0.012 +0.001	40			5 x 5 x 32
80	15.12	6.89	15.83	7.60	-	1/4-20 UNC x 0.63	0.750	+0.0000 -0.0005	1.57	2.40	0.16	3/16 x 3/16 x 1-5/16
	384	175	402	193	4	M6 x 16	19	+0.015 +0.002	40			6 x 6 x 32
90	15.51	7.28	16.22	7.99	-	5/16-18 UNC x 0.75	0.875	+0.0000 -0.0005	1.97	2.80	0.16	3/16 x 3/16 x 1-5/8
	394	185	412	203	5	M8 x 19	24	+0.015 +0.002	50			8 x 7 x 40
100	16.14	7.91	16.85	8.62	-	3/8-16 UNC x 0.87	1.125	+0.0000 -0.0005	2.36	3.27	0.16	1/4 x 1/4 x 2
	410	201	428	219	5	M10 x 22	28	+0.015 +0.002	60			8 x 7 x 50
112	16.10	7.87	-	-	-	3/8-16 UNC x 0.87	1.250	+0.0000 -0.0005	2.36	3.27	0.16	1/4 x 1/4 x 2
	409	200	-	-	5	M10 x 22	28	+0.015 +0.002	60			8 x 7 x 50
132	19.41	11.18	-	-	-	3/8-16 UNC x 0.87	1.375	+0.0000 -0.0005	3.15	6.61	0.14	5/16 x 5/16 x 2-3/4
	493	284	-	-	5	M12 x 28	38	+0.018 +0.002	80			10 x 8 x 70

Refer to page Engineering-4 for Input Shaft and Flange details.

NOMENCLATURE PAGE ILH-4	MOUNTING POSITIONS PAGE ILH-7	STOCK/NON-STOCK PART NUMBERS PAGE ILH-67	WEIGHTS PAGE ILH-343
----------------------------	----------------------------------	---	-------------------------

DIMENSIONS



QUANTIS

QUANTIS GOLD

ILH

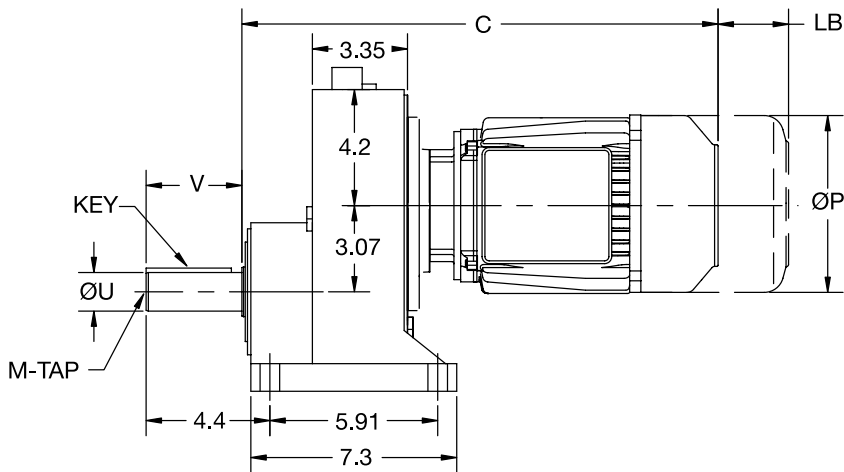
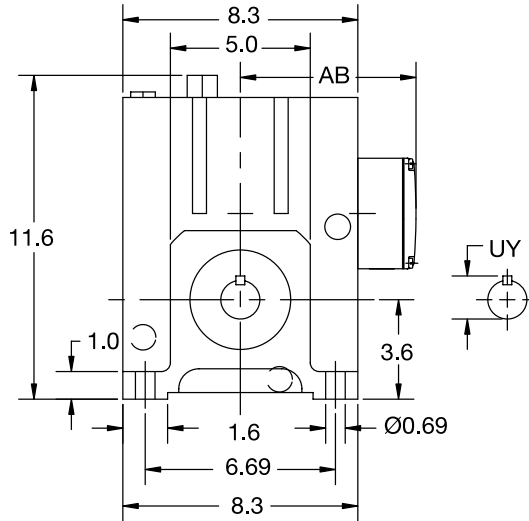
RHB

MSM

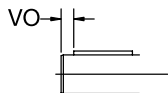
IN-LINE HELICAL GEAR REDUCER (ILH)

SIZE: HB68

Integral Gearmotor - Foot Mounted
Single Reduction



METRIC OUTPUT SHAFT



<p>NOMENCLATURE PAGE ILH-4</p>	<p>MOUNTING POSITIONS PAGE ILH-7</p>	<p>STOCK/NON-STOCK PART NUMBERS PAGE ILH-67</p>	<p>WEIGHTS PAGE ILH-343</p>
------------------------------------	--	---	---------------------------------

DIMENSIONS



IN-LINE HELICAL GEAR REDUCER (ILH)

SIZE: HB68

Integral Gearmotor - Foot Mounted
Single Reduction

Standard Output Shaft

Dimension - Inch/MM

ØU	tol.	UY	V	VO	KEY	M-TAP x DEPTH
1.375	+0.000 -0.001	1.51	3.37	-	5/16 x 5/16 x 3.00	3/8-16 UNC
30	+0.015 +0.002	33	60	7	8 x 7 x 50	M10 x 22

Motor

Dimension - Inch/MM

Frame	H68 Single		P	AB
	C	LB		
71C4 / 71D4 / 71E4	15.99	1.81	6.19	5.18
	407	46	158	132
80F4	16.15	2.56	6.19	5.12
	411	65	158	131
80G4	17.65	2.56	6.19	5.12
	449	65	158	131
90H4	17.53	2.52	7.19	5.79
	446	64	183	148
90I4	18.43	2.52	7.19	5.79
	469	64	183	148
100J4	20.42	2.91	7.19	5.79
	519	74	183	148
112L4	22.06	2.91	8.6	6.88
	561	74	219	175
132M4	23.65	3.9	10.28	8.09
	601	99	262	206
132N4	25.15	3.9	10.28	8.09
	639	99	262	206

NOMENCLATURE
PAGE ILH-4

MOUNTING POSITIONS
PAGE ILH-7

STOCK/NON-STOCK PART NUMBERS
PAGE ILH-67

WEIGHTS
PAGE ILH-343

DIMENSIONS



QUANTIS

QUANTIS GOLD

ILH

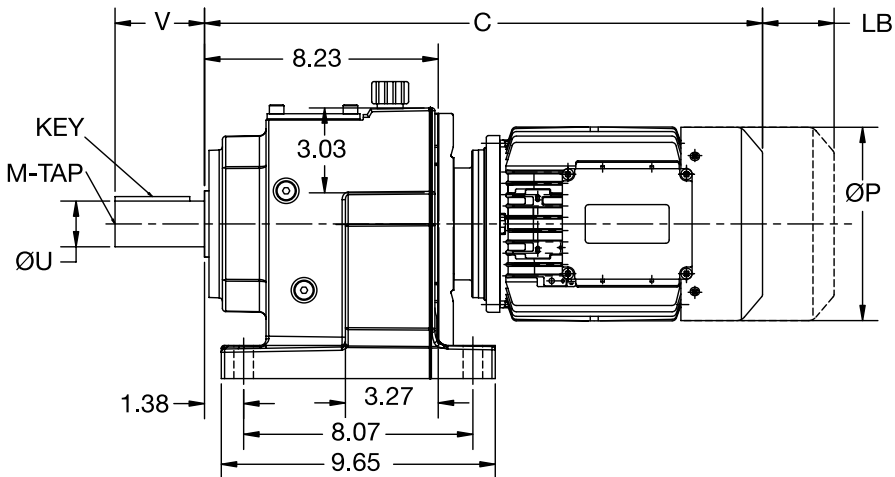
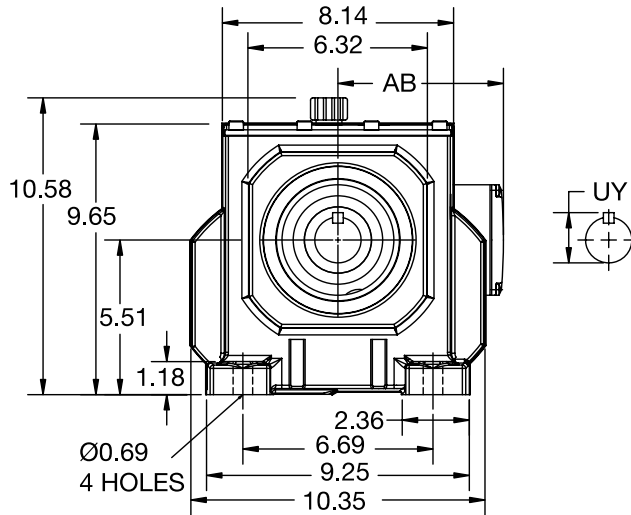
RHB

MSM

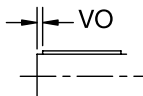
IN-LINE HELICAL GEAR REDUCER (ILH)

SIZE: HB68

Integral Gearmotor - Foot Mounted
Double/Triple Reduction



METRIC OUTPUT SHAFT



NOMENCLATURE
PAGE ILH-4

MOUNTING POSITIONS
PAGE ILH-7

STOCK/NON-STOCK PART NUMBERS
PAGE ILH-67

WEIGHTS
PAGE ILH-343

IN-LINE HELICAL GEAR REDUCER (ILH)

SIZE: HB68

Integral Gearmotor - Foot Mounted

Double/Triple Reduction

Standard Output Shaft

Dimension - Inch/MM

ØU	tol.	UY	V	VO	KEY	M-TAP x DEPTH
1.625	+0.0000 -0.0010	1.79	3.15	-	3/8 x 3/8 x 2-5/8	5/8 - 11 UNC x 1.42
40	+0.018 +0.002	43	80	5	12 x 8 x 70	M16 x 36

Optional Output Shaft

Dimension - Inch/MM

ØU	tol.	UY	V	VO	KEY	M-TAP x DEPTH
2.125	+0.0000 -0.0010	2.35	3.94	-	1/2 x 1/2 x 3-1/4	3/4 - 10 UNC x 1.65
50	+0.018 +0.002	54	100	10	14 x 9 x 80	M16 x 36

Motor

Dimension - Inch/MM

Frame	H68 Double		H68 Triple		P	AB
	C	LB	C	LB		
71C4 / 71D4 / 71E4	18.32	1.81	19.05	1.81	6.19	5.18
	466	46	484	46	158	132
80F4	18.46	2.56	19.19	2.56	6.19	5.12
	469	65	488	65	158	131
80G4	19.96	2.56	20.69	2.56	6.19	5.12
	507	65	526	65	158	131
90H4	19.89	2.52	20.62	2.52	7.19	5.79
	506	64	524	64	183	148
90I4	20.78	2.52	21.5	2.52	7.19	5.79
	528	64	547	64	183	148
100J4	22.78	2.91	23.52	2.91	7.19	5.79
	579	74	598	74	183	148
112L4	24.43	2.91	-	-	8.6	6.88
	621	74	-	-	219	175
132M4	25.98	3.9	-	-	10.28	8.09
	660	99	-	-	262	206
132N4	27.48	3.9	-	-	10.28	8.09
	698	99	-	-	262	206

NOMENCLATURE PAGE ILH-4	MOUNTING POSITIONS PAGE ILH-7	STOCK/NON-STOCK PART NUMBERS PAGE ILH-67	WEIGHTS PAGE ILH-343
----------------------------	----------------------------------	---	-------------------------

DIMENSIONS



QUANTIS

QUANTIS GOLD

ILH

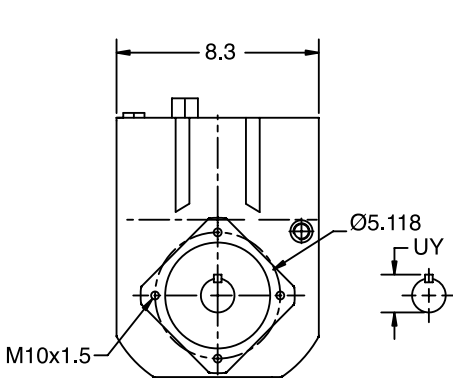
RHB

MSM

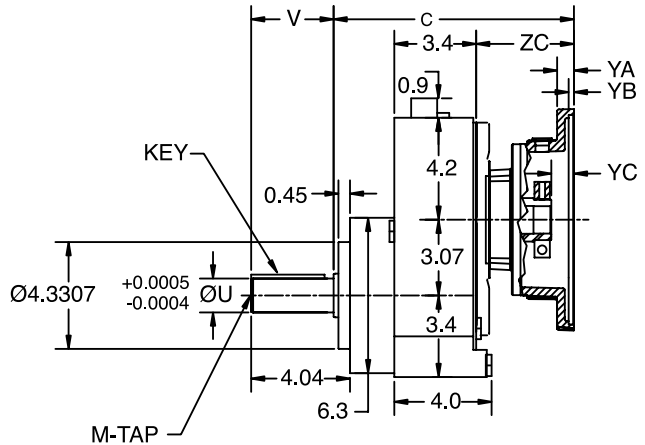
IN-LINE HELICAL GEAR REDUCER (ILH)

SIZE: HF68

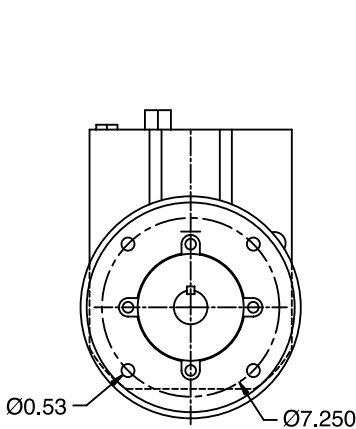
NEMA C-Face - Flange Mounted (B5 / B14 / NEMA) - Clamp Collar / 3 Piece Coupled
Single Reduction



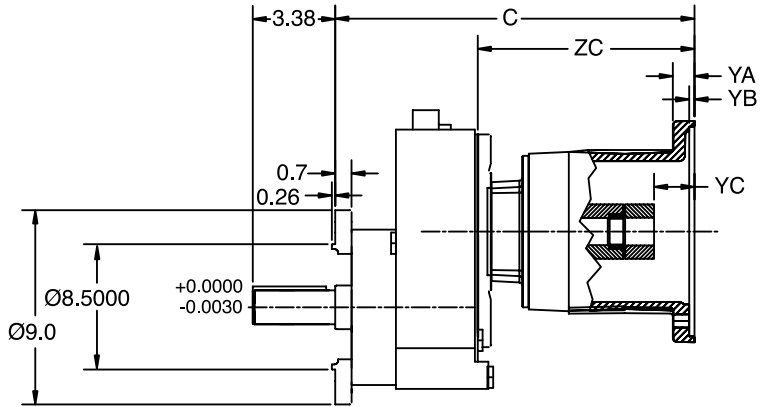
**B14 OUTPUT FLANGE -
Ø160mm**



CLAMP COLLAR



NEMA 210TC OUTPUT FLANGE



THREE-PIECE COUPLED

NOMENCLATURE
PAGE ILH-4

MOUNTING POSITIONS
PAGE ILH-7

STOCK/NON-STOCK PART NUMBERS
PAGE ILH-67

WEIGHTS
PAGE ILH-343

DIMENSIONS



IN-LINE HELICAL GEAR REDUCER (ILH)

SIZE: HF68

NEMA C-Face - Flange Mounted (B5 / B14 / NEMA) - Clamp Collar / 3 Piece Coupled
Single Reduction

Standard Output Shaft

Dimension - Inch/MM

ØU	tol.	UY	V	VO	KEY	M-TAP x DEPTH
1.375	+0.000 -0.001	1.51	3.37	-	5/16 x 5/16 x 3.00	3/8-16 UNC
30	+0.015 +0.002	33	60	7	8 x 7 x 50	M10 x 22

NEMA Motor Adapter - Clamp Collar

Dimension - Inch

	H68 Single		YA	YB	YC
	C	ZC			
56C	8.9	3.0	0.47	0.20	0.67
140TC	9.6	3.7	0.47	0.20	0.67
180TC	11.0	5.2	0.73	0.22	0.91
210TC	12.9	7.1	0.69	0.22	0.89

NEMA Motor Adapter - 3 Piece Coupled

Dimension - Inch

	H68 Single		YA	YB	YC
	C	ZC			
56C	12.0	6.2	0.55	0.20	1.08
140TC	13.4	7.6	0.55	0.20	1.10
180TC	14.6	8.8	0.73	0.22	1.65
210TC	16.6	10.7	0.87	0.22	2.01

Refer to page Engineering-2 for Input Shaft and Flange details.

QUANTIS

QUANTIS GOLD

ILH

RHB

MSM

NOMENCLATURE PAGE ILH-4	MOUNTING POSITIONS PAGE ILH-7	STOCK/NON-STOCK PART NUMBERS PAGE ILH-67	WEIGHTS PAGE ILH-343
----------------------------	----------------------------------	---	-------------------------

DIMENSIONS



QUANTIS

QUANTIS GOLD

ILH

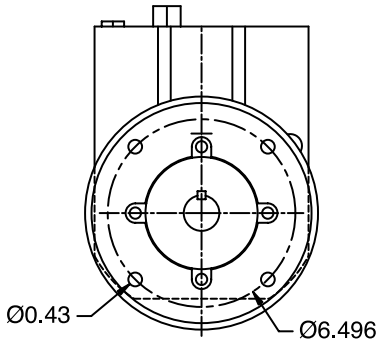
RHB

MSM

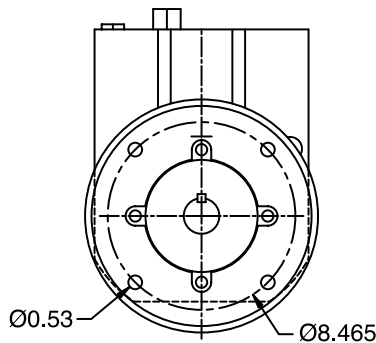
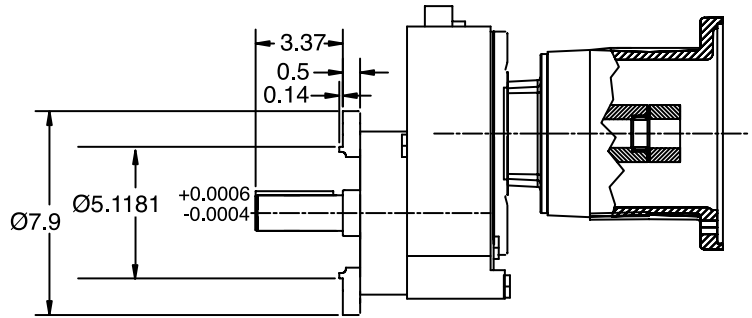
IN-LINE HELICAL GEAR REDUCER (ILH)

SIZE: HF68

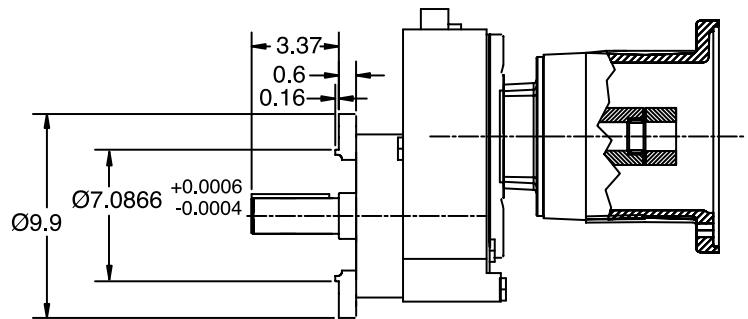
NEMA C-Face - Flange Mounted (B5 / B14 / NEMA) - Clamp Collar / 3 Piece Coupled
Single Reduction



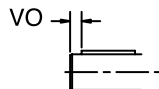
**B5 OUTPUT FLANGE -
Ø200mm**



**B5 OUTPUT FLANGE -
Ø250mm**



METRIC OUTPUT SHAFT



Refer to page ILH-214 for additional dimensions

<p>NOMENCLATURE PAGE ILH-4</p>	<p>MOUNTING POSITIONS PAGE ILH-7</p>	<p>STOCK/NON-STOCK PART NUMBERS PAGE ILH-67</p>	<p>WEIGHTS PAGE ILH-343</p>
------------------------------------	--	---	---------------------------------

DIMENSIONS



IN-LINE HELICAL GEAR REDUCER (ILH)

SIZE: HF68

NEMA C-Face - Flange Mounted (B5 / B14 / NEMA) - Clamp Collar / 3 Piece Coupled
Single Reduction

Standard Output Shaft

Dimension - Inch/MM

ØU	tol.	UY	V	VO	KEY	M-TAP x DEPTH
1.375	+0.000 -0.001	1.51	3.37	-	5/16 x 5/16 x 3.00	3/8-16 UNC
30	+0.015 +0.002	33	60	7	8 x 7 x 50	M10 x 22

NEMA Motor Adapter - Clamp Collar

Dimension - Inch

	H68 Single		YA	YB	YC
	C	ZC			
56C	8.9	3.0	0.47	0.20	0.67
140TC	9.6	3.7	0.47	0.20	0.67
180TC	11.0	5.2	0.73	0.22	0.91
210TC	12.9	7.1	0.69	0.22	0.89

NEMA Motor Adapter - 3 Piece Coupled

Dimension - Inch

	H68 Single		YA	YB	YC
	C	ZC			
56C	12.0	6.2	0.55	0.20	1.08
140TC	13.4	7.6	0.55	0.20	1.10
180TC	14.6	8.8	0.73	0.22	1.65
210TC	16.6	10.7	0.87	0.22	2.01

Refer to page Engineering-2 for Input Shaft and Flange details.

QUANTIS

QUANTIS GOLD

ILH

RHB

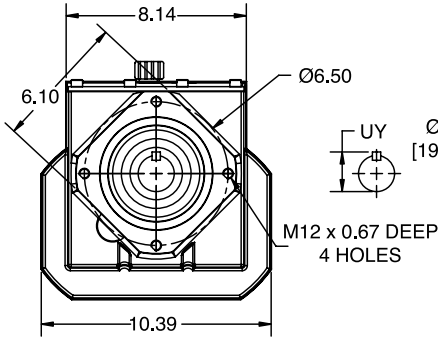
MSM

NOMENCLATURE PAGE ILH-4	MOUNTING POSITIONS PAGE ILH-7	STOCK/NON-STOCK PART NUMBERS PAGE ILH-67	WEIGHTS PAGE ILH-343
----------------------------	----------------------------------	---	-------------------------

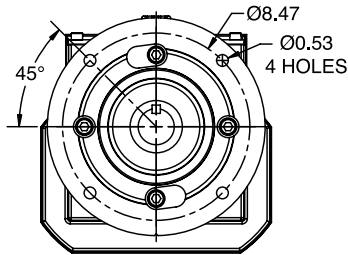
IN-LINE HELICAL GEAR REDUCER (ILH)

SIZE: HF68

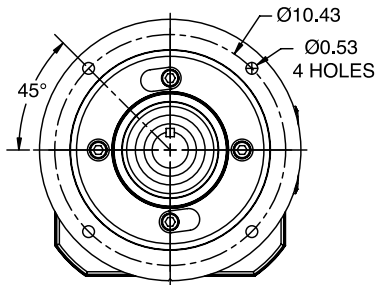
NEMA C-Face - Flange Mounted (B5 / B14) - Clamp Collar / 3 Piece Coupled
Double/Triple Reduction



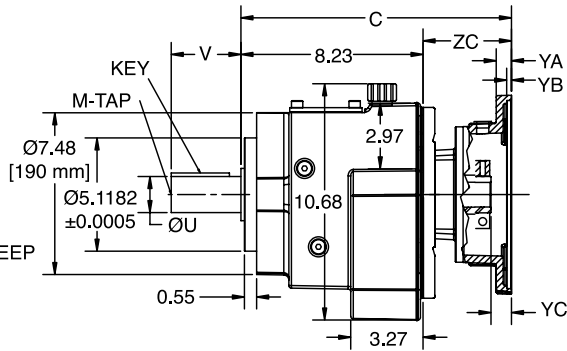
B14 OUTPUT FLANGE
- Ø190mm



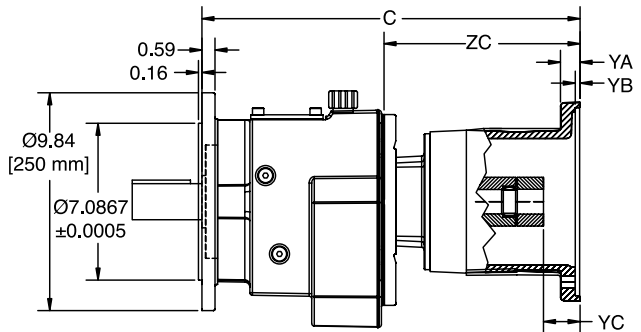
B5 OUTPUT FLANGE -
Ø250mm



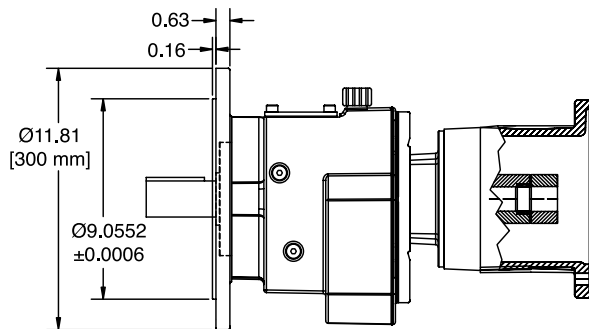
B5 OUTPUT FLANGE -
Ø300mm



CLAMP COLLAR



THREE-PIECE COUPLED



METRIC OUTPUT SHAFT



NOMENCLATURE PAGE ILH-4	MOUNTING POSITIONS PAGE ILH-7	STOCK/NON-STOCK PART NUMBERS PAGE ILH-67	WEIGHTS PAGE ILH-343
----------------------------	----------------------------------	---	-------------------------

IN-LINE HELICAL GEAR REDUCER (ILH) NEMA C-Face - Flange Mounted (B5 / B14) - Clamp Collar / 3 Piece Coupled Double/Triple Reduction

SIZE: HF68

Standard Output Shaft					Dimension - Inch/MM	
ØU	tol.	UY	V	VO	KEY	M-TAP x DEPTH
1.625	+0.0000 -0.0010	1.79	3.15	-	3/8 x 3/8 x 2-5/8	5/8 - 11 UNC x 1.42
40	+0.018 +0.002	43	80	5	12 x 8 x 70	M16 x 36

Optional Output Shaft					Dimension - Inch/MM	
ØU	tol.	UY	V	VO	KEY	M-TAP x DEPTH
2.125	+0.0000 -0.0010	2.35	3.94	-	1/2 x 1/2 x 3-1/4	3/4 - 10 UNC x 1.65
50	+0.018 +0.002	54	100	10	14 x 9 x 80	M16 x 36

NEMA Motor Adapter - Clamp Collar					Dimension - Inch		
	H68 Double		H68 Triple		YA	YB	YC
	C	ZC	C	ZC			
56C	11.24	3.01	11.97	3.74	0.47	0.20	0.67
140TC	11.91	3.68	12.64	4.41	0.47	0.20	0.67
180TC	13.41	5.18	14.21	5.98	0.69	0.22	0.93
210TC	15.33	7.10	-	-	0.69	0.22	0.89

NEMA Motor Adapter - 3 Piece Coupled					Dimension - Inch		
	H68 Double		H68 Triple		YA	YB	YC
	C	ZC	C	ZC			
56C	14.37	6.14	15.10	6.87	0.55	0.20	1.08
140TC	15.79	7.56	16.52	8.29	0.55	0.20	1.10
180TC	16.99	8.76	17.80	9.57	0.87	0.22	1.65
210TC	19.14	10.91	-	-	0.87	0.22	2.01

Refer to page Engineering-2 for Input Shaft and Flange details.

NOMENCLATURE PAGE ILH-4	MOUNTING POSITIONS PAGE ILH-7	STOCK/NON-STOCK PART NUMBERS PAGE ILH-67	WEIGHTS PAGE ILH-343
----------------------------	----------------------------------	---	-------------------------

DIMENSIONS



QUANTIS

QUANTIS GOLD

ILH

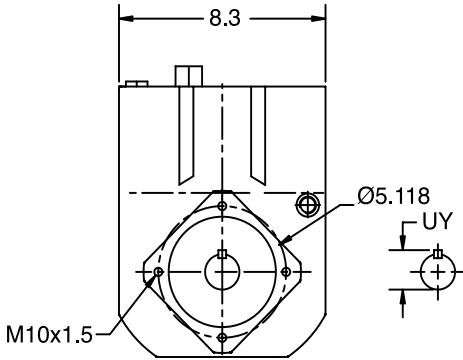
RHB

MSM

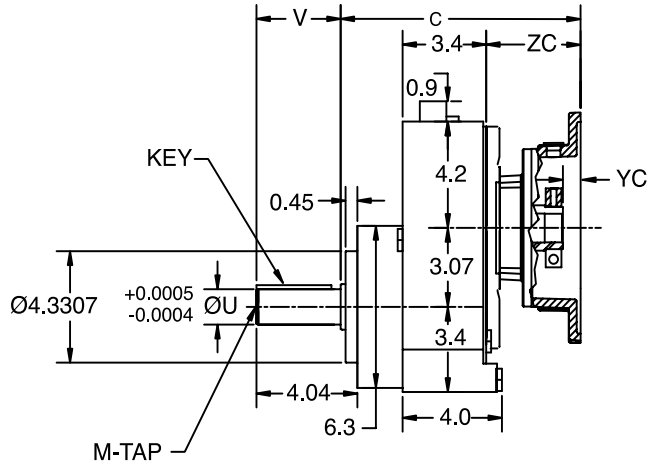
IN-LINE HELICAL GEAR REDUCER (ILH)

SIZE: HF68

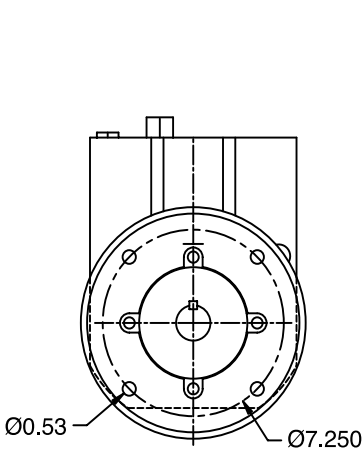
IEC D Flange (B5 Input) - Flange Mounted (B5/B14/NEMA) - Clamp Collar / 3 Piece Coupled Single Reduction



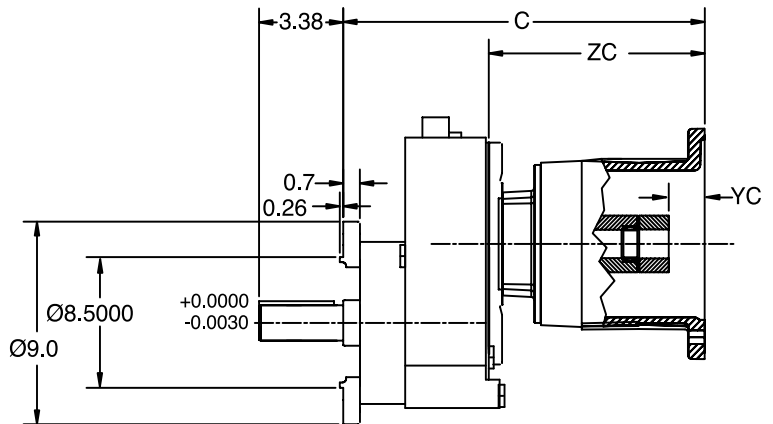
**B14 OUTPUT FLANGE -
Ø160mm**



CLAMP COLLAR



NEMA 210TC OUTPUT FLANGE



THREE-PIECE COUPLED

NOMENCLATURE
PAGE ILH-4

MOUNTING POSITIONS
PAGE ILH-7

STOCK/NON-STOCK PART NUMBERS
PAGE ILH-67

WEIGHTS
PAGE ILH-343

DIMENSIONS



IN-LINE HELICAL GEAR REDUCER (ILH)

SIZE: HF68

IEC D Flange (B5 Input) - Flange Mounted (B5/B14/NEMA) - Clamp Collar / 3 Piece Coupled Single Reduction

Standard Output Shaft Dimension - Inch/MM

ØU	tol.	UY	V	VO	KEY	M-TAP x DEPTH
1.375	+0.000 -0.001	1.51	3.37	-	5/16 x 5/16 x 3.00	3/8-16 UNC
30	+0.015 +0.002	33	60	7	8 x 7 x 50	M10 x 22

IEC Motor Adapter - Clamp Collar Dimension - Inch

	H68 Single		YC
	C	ZC	
71D	8.2	2.3	0.16
80D	9.1	3.3	0.61
90D	9.1	3.3	0.61
100D	9.4	3.6	0.28
112D	9.7	3.8	0.28
132D	11.3	5.4	0.87

IEC Motor Adapter - 3 Piece Coupled Dimension - Inch

	H68 Single		YC
	C	ZC	
90D	13.4	7.5	1.02
100D	14.2	8.4	1.18
112D	14.1	8.3	1.18
132D	16.5	10.7	1.77

Refer to Engineering-3 for Input Shaft and Flange details.

QUANTIS
 QUANTIS GOLD
 ILH
 RHB
 MSM

NOMENCLATURE PAGE ILH-4	MOUNTING POSITIONS PAGE ILH-7	STOCK/NON-STOCK PART NUMBERS PAGE ILH-67	WEIGHTS PAGE ILH-343
----------------------------	----------------------------------	---	-------------------------

DIMENSIONS



QUANTIS

QUANTIS GOLD

ILH

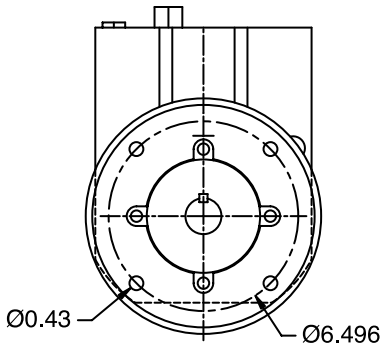
RHB

MSM

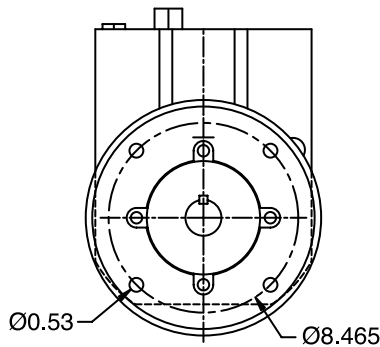
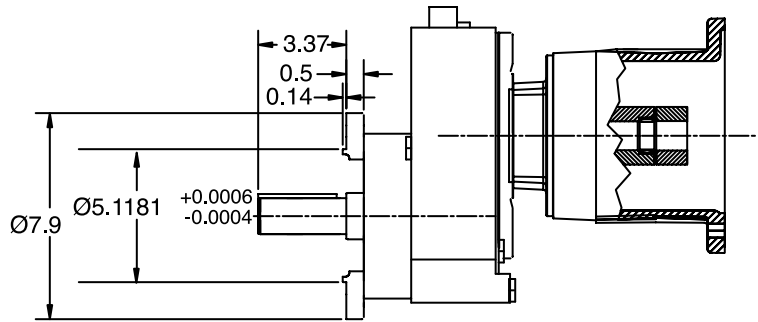
IN-LINE HELICAL GEAR REDUCER (ILH)

SIZE: HF68

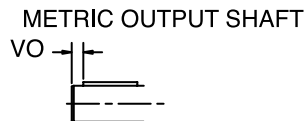
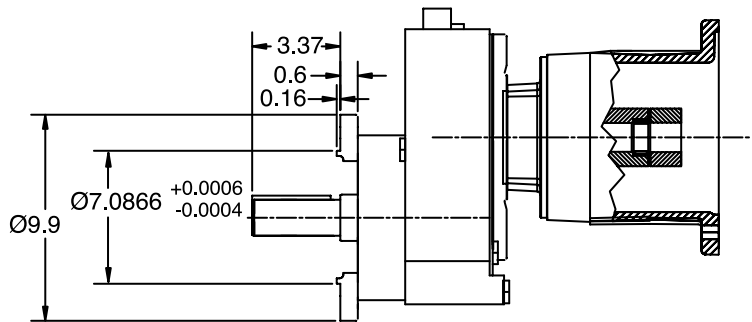
IEC D Flange (B5 Input) - Flange Mounted (B5/B14/NEMA) - Clamp Collar / 3 Piece Coupled Single Reduction



B5 OUTPUT FLANGE
Ø200mm



B5 OUTPUT FLANGE
Ø250mm



Refer to page ILH-220 for additional dimensions

<p>NOMENCLATURE PAGE ILH-4</p>	<p>MOUNTING POSITIONS PAGE ILH-7</p>	<p>STOCK/NON-STOCK PART NUMBERS PAGE ILH-67</p>	<p>WEIGHTS PAGE ILH-343</p>
------------------------------------	--	---	---------------------------------

DIMENSIONS



IN-LINE HELICAL GEAR REDUCER (ILH)

SIZE: HF68

IEC D Flange (B5 Input) - Flange Mounted (B5/B14/NEMA) - Clamp Collar / 3 Piece Coupled Single Reduction

Standard Output Shaft					Dimension - Inch/MM	
ØU	tol.	UY	V	VO	KEY	M-TAP x DEPTH
1.375	+0.000 -0.001	1.51	3.37	-	5/16 x 5/16 x 3.00	3/8-16 UNC
30	+0.015 +0.002	33	60	7	8 x 7 x 50	M10 x 22

IEC Motor Adapter - Clamp Collar Dimension - Inch

	H68 Single		YC
	C	ZC	
71D	8.2	2.3	0.16
80D	9.1	3.3	0.61
90D	9.1	3.3	0.61
100D	9.4	3.6	0.28
112D	9.7	3.8	0.28
132D	11.3	5.4	0.87

IEC Motor Adapter - 3 Piece Coupled Dimension - Inch

	H68 Single		YC
	C	ZC	
90D	13.4	7.5	1.02
100D	14.2	8.4	1.18
112D	14.1	8.3	1.18
132D	16.5	10.7	1.77

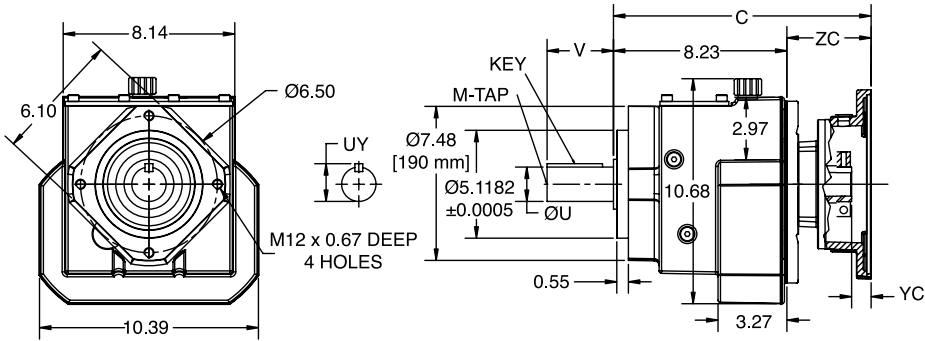
Refer to Engineering-3 for Input Shaft and Flange details.

NOMENCLATURE PAGE ILH-4	MOUNTING POSITIONS PAGE ILH-7	STOCK/NON-STOCK PART NUMBERS PAGE ILH-67	WEIGHTS PAGE ILH-343
----------------------------	----------------------------------	---	-------------------------

IN-LINE HELICAL GEAR REDUCER (ILH)

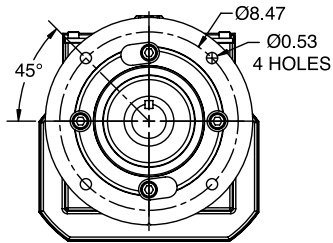
SIZE: HF68

IEC D Flange (B5 Input) - Flange Mounted (B5 / B14) - Clamp Collar / 3 Piece Coupled
Double/Triple Reduction

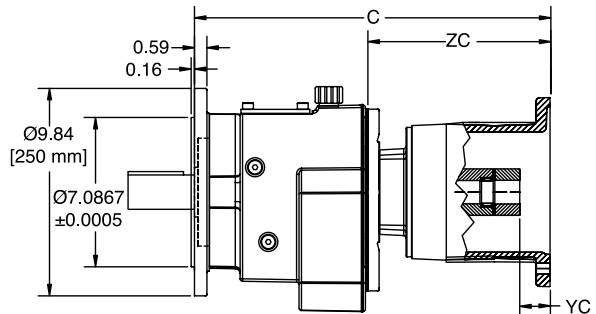


B14 OUTPUT FLANGE
- Ø190mm

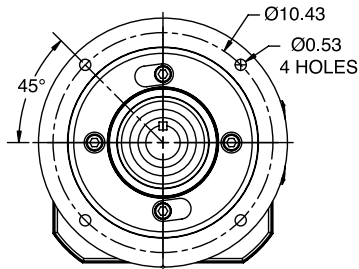
CLAMP COLLAR



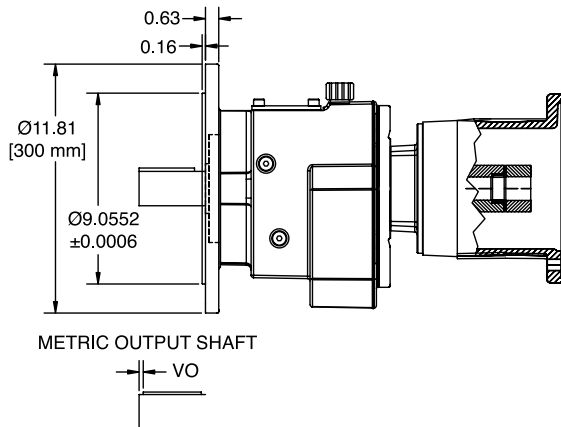
B5 OUTPUT FLANGE -
Ø250mm



THREE-PIECE COUPLED



B5 OUTPUT FLANGE -
Ø300mm



METRIC OUTPUT SHAFT

DIMENSIONS



IN-LINE HELICAL GEAR REDUCER (ILH)

SIZE: HF68

IEC D Flange (B5 Input) - Flange Mounted (B5 / B14) - Clamp Collar / 3 Piece Coupled
Double/Triple Reduction

Standard Output Shaft

Dimension - Inch/MM

ØU	tol.	UY	V	VO	KEY	M-TAP x DEPTH
1.625	+0.0000 -0.0010	1.79	3.15	-	3/8 x 3/8 x 2-5/8	5/8 - 11 UNC x 1.42
40	+0.018 +0.002	43	80	5	12 x 8 x 70	M16 x 36

Optional Output Shaft

Dimension - Inch/MM

ØU	tol.	UY	V	VO	KEY	M-TAP x DEPTH
2.125	+0.0000 -0.0010	2.35	3.94	-	1/2 x 1/2 x 3-1/4	3/4 - 10 UNC x 1.65
50	+0.018 +0.002	54	100	10	14 x 9 x 80	M16 x 36

IEC Motor Adapter - Clamp Collar

Dimension - Inch

	H68 Double		H68 Triple		YC
	C	ZC	C	ZC	
71D	10.53	2.30	11.26	3.03	0.16
80D	11.48	3.25	12.21	3.98	0.61
90D	11.48	3.25	12.21	3.98	0.61
100D	11.77	3.54	12.50	4.27	0.28
112D	12.03	3.80	-	-	0.28
132D	13.64	5.41	-	-	0.87

IEC Motor Adapter - 3 Piece Coupled

Dimension - Inch

	H68 Double		H68 Triple		YC
	C	ZC	C	ZC	
80D	15.71	7.48	16.44	8.21	0.59
90D	15.71	7.48	16.44	8.21	1.02
100D	16.60	8.37	17.32	9.09	1.18
112D	16.48	8.25	-	-	1.18
132D	18.90	10.67	-	-	1.77

Refer to page Engineering-3 for Input Shaft and Flange details

NOMENCLATURE PAGE ILH-4	MOUNTING POSITIONS PAGE ILH-7	STOCK/NON-STOCK PART NUMBERS PAGE ILH-67	WEIGHTS PAGE ILH-343
----------------------------	----------------------------------	---	-------------------------

DIMENSIONS



QUANTIS

QUANTIS GOLD

ILH

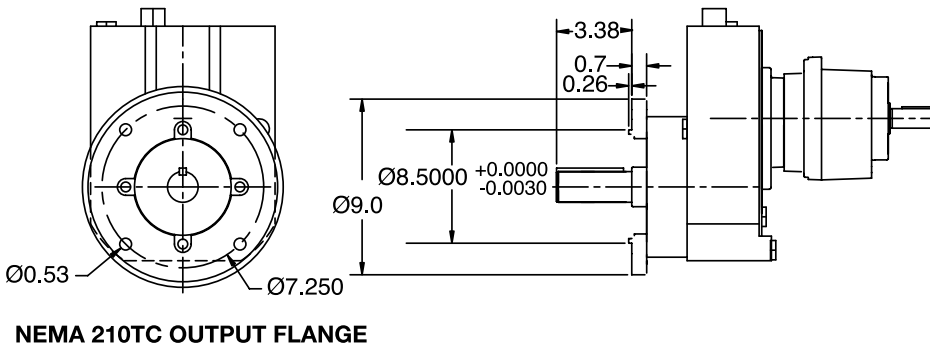
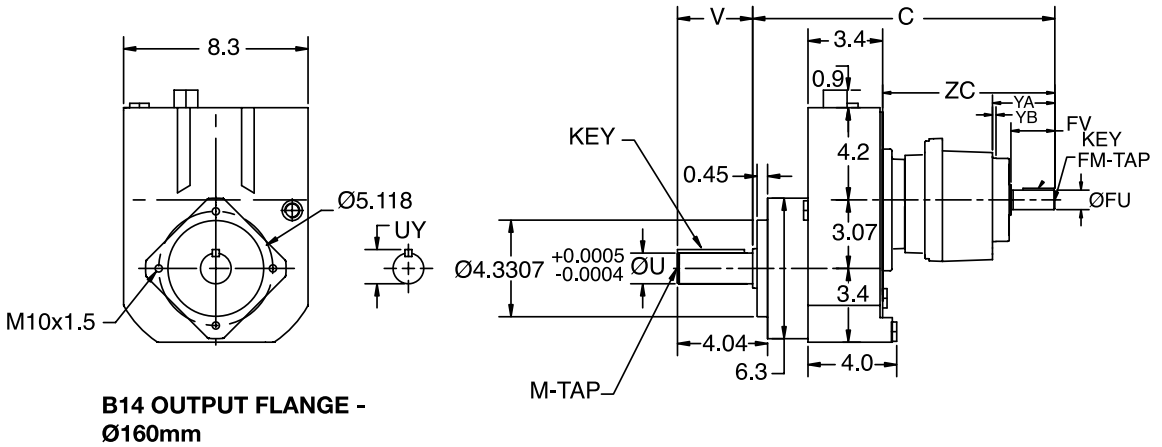
RHB

MSM

IN-LINE HELICAL GEAR REDUCER (ILH)

SIZE: HF68

Separate - Flange Mounted (B5 / B14 / NEMA)
Single Reduction



NOMENCLATURE PAGE ILH-4	MOUNTING POSITIONS PAGE ILH-7	STOCK/NON-STOCK PART NUMBERS PAGE ILH-67	WEIGHTS PAGE ILH-343
----------------------------	----------------------------------	---	-------------------------

IN-LINE HELICAL GEAR REDUCER (ILH) Separate - Flange Mounted (B5 / B14 / NEMA) Single Reduction

SIZE: HF68

Standard Output Shaft					Dimension - Inch/MM	
ØU	tol.	UY	V	VO	KEY	M-TAP x DEPTH
1.375	+0.000 -0.001	1.51	3.37	-	5/16 x 5/16 x 3.00	3/8-16 UNC
30	+0.015 +0.002	33	60	7	8 x 7 x 50	M10 x 22

Separate Input			Dimension - Inch/MM							
	H68 Single		FO	FM x Depth	ØFU	tol.	FV	YA	YB	KEY
	C	ZC								
71	11.4	5.5	-	8-32 UNC x 0.49	0.625	+0.0000 -0.0005	1.57	2.4	0.16	3/16 x 3/16 x 1-5/16
	288	140	4	M5 x 12.5	16	+0.012 +0.001	40			5 x 5 x 32
80	12.7	6.9	-	1/4-20 UNC x 0.63	0.75	+0.0000 -0.0005	1.57	2.4	0.16	3/16 x 3/16 x 1-5/16
	323	175	4	M6 x 16	19	+0.015 +0.002	40			6 x 6 x 32
90	13.1	7.3	-	5/16-18 UNC x 0.75	0.875	+0.0000 -0.0005	1.97	2.8	0.16	3/16 x 3/16 x 1-5/8
	333	185	5	M8 x 19	24	+0.015 +0.002	50			8 x 7 x 40
100	13.8	7.9	-	3/8-16 UNC x 0.87	1.125	+0.0000 -0.0005	2.36	3.27	0.16	1/4 x 1/4 x 2
	349	201	5	M10 x 22	28	+0.015 +0.002	60			8 x 7 x 50
112	13.8	7.9	-	3/8-16 UNC x 0.87	1.250	+0.0000 -0.0005	2.36	3.27	0.16	1/4 x 1/4 x 2
	348	200	5	M10 x 22	28	+0.015 +0.002	60			8 x 7 x 50
132	17.1	11.2	-	3/8-16 UNC x 1.10	1.375	+0.0000 -0.0005	3.15	6.61	0.14	5/16 x 5/16 x 2-3/4
	432	284	5	M12 x 28	38	+0.018 +0.002	80			10 x 8 x 70

Refer to page Engineering-4 for Input Shaft and Flange details.

NOMENCLATURE PAGE ILH-4	MOUNTING POSITIONS PAGE ILH-7	STOCK/NON-STOCK PART NUMBERS PAGE ILH-67	WEIGHTS PAGE ILH-343
----------------------------	----------------------------------	---	-------------------------

DIMENSIONS



QUANTIS

QUANTIS GOLD

ILH

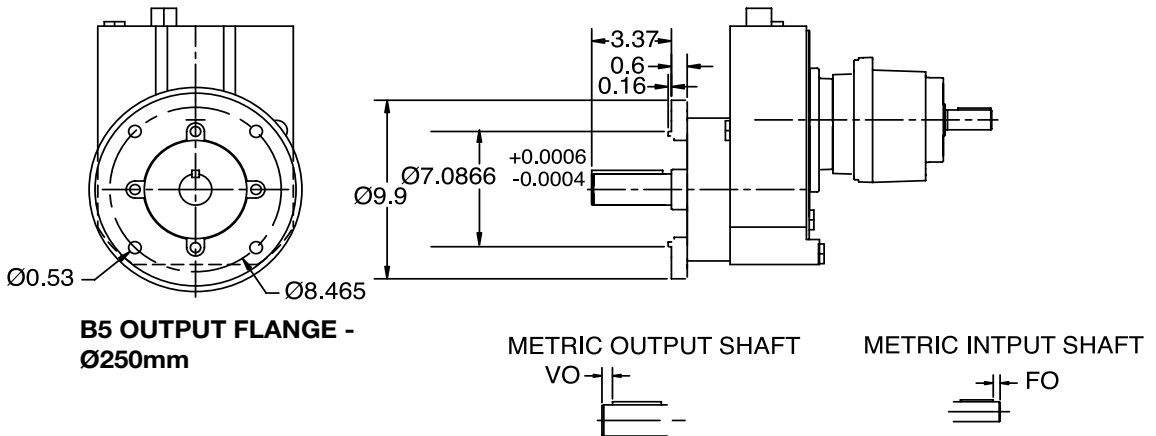
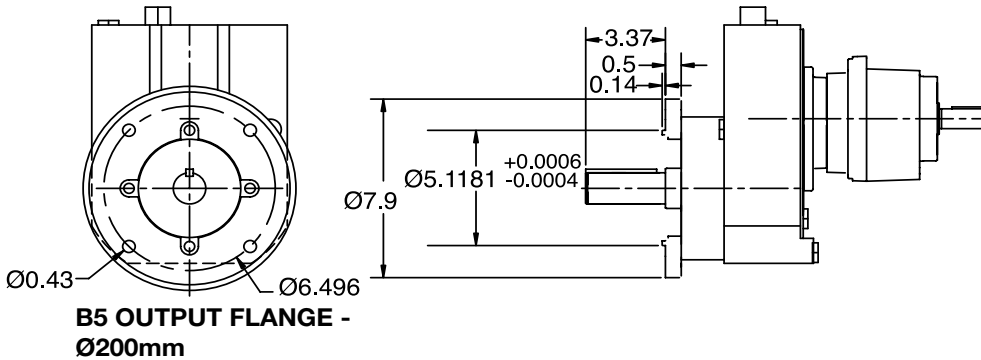
RHB

MSM

IN-LINE HELICAL GEAR REDUCER (ILH)

SIZE: HF68

Separate - Flange Mounted (B5 / B14 / NEMA)
Single Reduction



Refer to page ILH-226 for additional dimensions

NOMENCLATURE PAGE ILH-4	MOUNTING POSITIONS PAGE ILH-7	STOCK/NON-STOCK PART NUMBERS PAGE ILH-67	WEIGHTS PAGE ILH-343
----------------------------	----------------------------------	---	-------------------------

DIMENSIONS



IN-LINE HELICAL GEAR REDUCER (ILH)

SIZE: HF68

Separate - Flange Mounted (B5 / B14 / NEMA)

Single Reduction

Standard Output Shaft

Dimension - Inch/MM

ØU	tol.	UY	V	VO	KEY	M-TAP x DEPTH
1.375	+0.000 -0.001	1.51	3.37	-	5/16 x 5/16 x 3.00	3/8-16 UNC
30	+0.015 +0.002	33	60	7	8 x 7 x 50	M10 x 22

Separate Input

Dimension - Inch/MM

	H68 Single		FO	FM x Depth	ØFU	tol.	FV	YA	YB	KEY
	C	ZC								
71	11.4	5.5	-	8-32 UNC x 0.49	0.625	+0.0000 -0.0005	1.57	2.4	0.16	3/16 x 3/16 x 1-5/16
	288	140	4	M5 x 12.5	16	+0.012 +0.001	40			5 x 5 x 32
80	12.7	6.9	-	1/4-20 UNC x 0.63	0.75	+0.0000 -0.0005	1.57	2.4	0.16	3/16 x 3/16 x 1-5/16
	323	175	4	M6 x 16	19	+0.015 +0.002	40			6 x 6 x 32
90	13.1	7.3	-	5/16-18 UNC x 0.75	0.875	+0.0000 -0.0005	1.97	2.8	0.16	3/16 x 3/16 x 1-5/8
	333	185	5	M8 x 19	24	+0.015 +0.002	50			8 x 7 x 40
100	13.8	7.9	-	3/8-16 UNC x 0.87	1.125	+0.0000 -0.0005	2.36	3.27	0.16	1/4 x 1/4 x 2
	349	201	5	M10 x 22	28	+0.015 +0.002	60			8 x 7 x 50
112	13.8	7.9	-	3/8-16 UNC x 0.87	1.250	+0.0000 -0.0005	2.36	3.27	0.16	1/4 x 1/4 x 2
	348	200	5	M10 x 22	28	+0.015 +0.002	60			8 x 7 x 50
132	17.1	11.2	-	3/8-16 UNC x 1.10	1.375	+0.0000 -0.0005	3.15	6.61	0.14	5/16 x 5/16 x 2-3/4
	432	284	5	M12 x 28	38	+0.018 +0.002	80			10 x 8 x 70

Refer to page Engineering-4 for Input Shaft and Flange details.

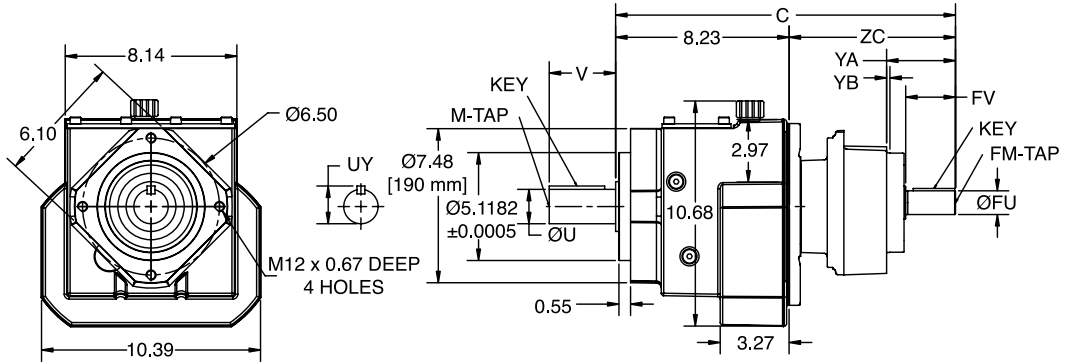
NOMENCLATURE PAGE ILH-4	MOUNTING POSITIONS PAGE ILH-7	STOCK/NON-STOCK PART NUMBERS PAGE ILH-67	WEIGHTS PAGE ILH-343
----------------------------	----------------------------------	---	-------------------------

IN-LINE HELICAL GEAR REDUCER (ILH)

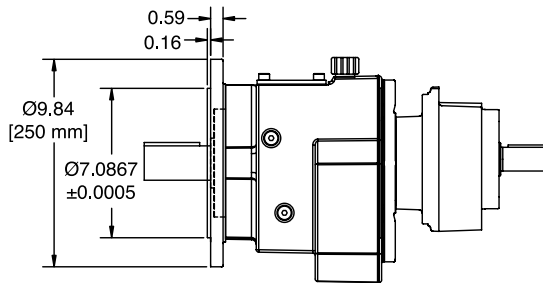
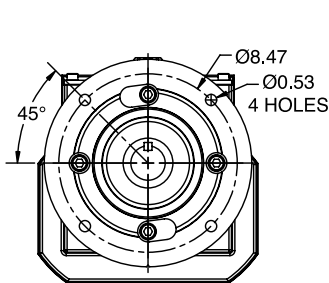
SIZE: HF68

Separate - Flange Mounted (B5 / B14)

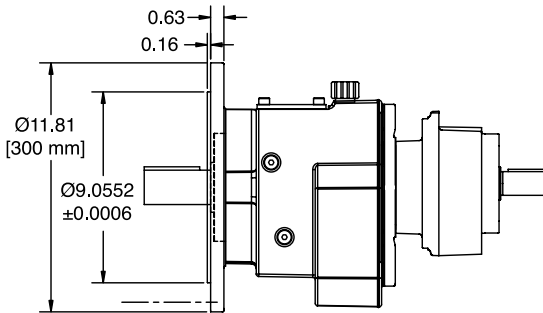
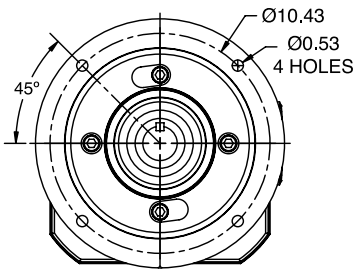
Double/Triple Reduction



**B14 OUTPUT FLANGE -
Ø190mm**



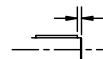
**B5 OUTPUT FLANGE -
Ø250mm**



**B5 OUTPUT FLANGE -
Ø300mm**

METRIC OUTPUT SHAFT

METRIC INPUT SHAFT



IN-LINE HELICAL GEAR REDUCER (ILH)

SIZE: HF68

Separate - Flange Mounted (B5 / B14)

Double/Triple Reduction

Standard Output Shaft

Dimension - Inch/MM

ØU	tol.	UY	V	VO	KEY	M-TAP x DEPTH
1.625	+0.0000 -0.0010	1.79	3.15	-	3/8 x 3/8 x 2-5/8	5/8 - 11 UNC x 1.42
40	+0.018 +0.002	43	80	5	12 x 8 x 70	M16 x 36

Optional Output Shaft

Dimension - Inch/MM

ØU	tol.	UY	V	VO	KEY	M-TAP x DEPTH
2.125	+0.0000 -0.0010	2.35	3.94	-	1/2 x 1/2 x 3-1/4	3/4 - 10 UNC x 1.65
50	+0.018 +0.002	54	100	10	14 x 9 x 80	M16 x 36

Separate Input

Dimension - Inch/MM

	H68 Double		H68 Triple		FO	FM x Depth	ØFU	tol.	FV	YA	YB	KEY
	C	ZC	C	ZC								
71	13.74	5.51	14.45	6.22	-	8-32 UNC x 0.49	0.625	+0.0000 -0.0005	1.57	2.40	0.16	3/16 x 3/16 x 1-5/16
	349	140	367	158	4	M5 x 12.5	16	+0.012 +0.001	40			5 x 5 x 32
80	15.12	6.89	15.83	7.60	-	1/4-20 UNC x 0.63	0.750	+0.0000 -0.0005	1.57	2.40	0.16	3/16 x 3/16 x 1-5/16
	384	175	402	193	4	M6 x 16	19	+0.015 +0.002	40			6 x 6 x 32
90	15.51	7.28	16.22	7.99	-	5/16-18 UNC x 0.75	0.875	+0.0000 -0.0005	1.97	2.80	0.16	3/16 x 3/16 x 1-5/8
	394	185	412	203	5	M8 x 19	24	+0.015 +0.002	50			8 x 7 x 40
100	16.14	7.91	16.85	8.62	-	3/8-16 UNC x 0.87	1.125	+0.0000 -0.0005	2.36	3.27	0.16	1/4 x 1/4 x 2
	410	201	428	219	5	M10 x 22	28	+0.015 +0.002	60			8 x 7 x 50
112	16.10	7.87	-	-	-	3/8-16 UNC x 0.87	1.250	+0.0000 -0.0005	2.36	3.27	0.16	1/4 x 1/4 x 2
	409	200	-	-	5	M10 x 22	28	+0.015 +0.002	60			8 x 7 x 50
132	19.41	11.18	-	-	-	3/8-16 UNC x 0.87	1.375	+0.0000 -0.0005	3.15	6.61	0.14	5/16 x 5/16 x 2-3/4
	493	284	-	-	5	M12 x 28	38	+0.018 +0.002	80			10 x 8 x 70

Refer to page Engineering-4 for Input Shaft and Flange details

NOMENCLATURE PAGE ILH-4	MOUNTING POSITIONS PAGE ILH-7	STOCK/NON-STOCK PART NUMBERS PAGE ILH-67	WEIGHTS PAGE ILH-343
----------------------------	----------------------------------	---	-------------------------

DIMENSIONS



QUANTIS

QUANTIS GOLD

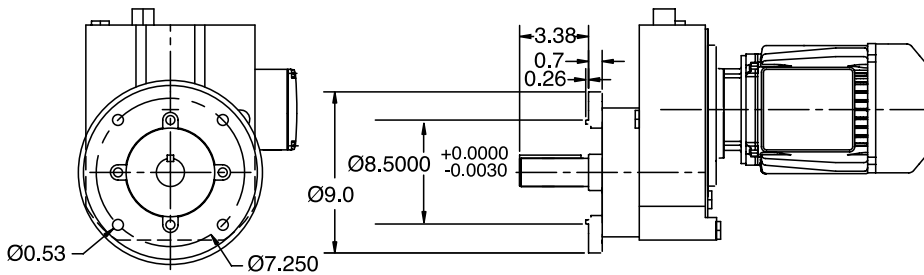
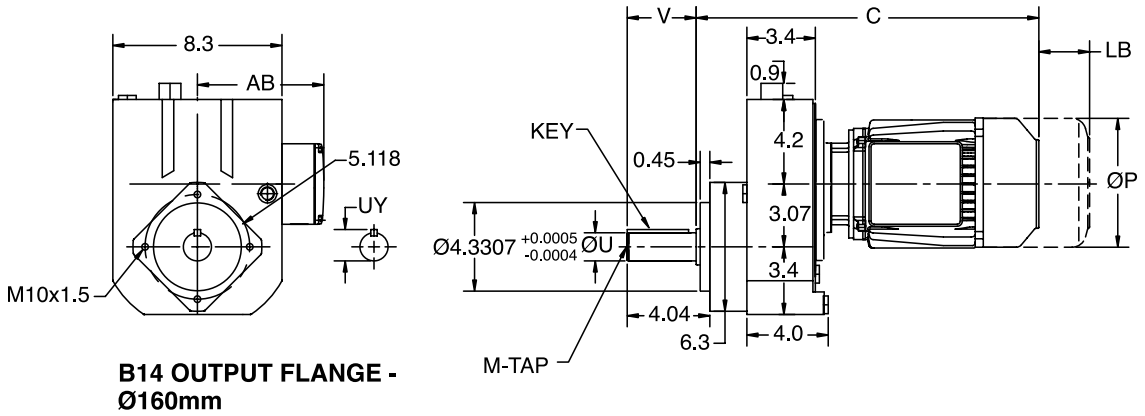
ILH

RHB

MSM

IN-LINE HELICAL GEAR REDUCER (ILH) Integral Gearmotor - Flange Mounted (B5 / B14 / NEMA) Single Reduction

SIZE: HF68



NOMENCLATURE PAGE ILH-4	MOUNTING POSITIONS PAGE ILH-7	STOCK/NON-STOCK PART NUMBERS PAGE ILH-67	WEIGHTS PAGE ILH-343
----------------------------	----------------------------------	---	-------------------------

DIMENSIONS



IN-LINE HELICAL GEAR REDUCER (ILH) Integral Gearmotor - Flange Mounted (B5 / B14 / NEMA) Single Reduction

SIZE: HF68

Standard Output Shaft					Dimension - Inch/MM	
ØU	tol.	UY	V	VO	KEY	M-TAP x DEPTH
1.375	+0.000 -0.001	1.51	3.37	-	5/16 x 5/16 x 3.00	3/8-16 UNC
30	+0.015 +0.002	33	60	7	8 x 7 x 50	M10 x 22

Motor Frame	H68 Single		P	AB
	C	LB		
	71C4 / 71D4 / 71E4	15.99 407		
80F4	16.15 411	2.56 65	6.19 158	5.12 131
80G4	17.65 449	2.56 65	6.19 158	5.12 131
90H4	17.53 446	2.52 64	7.19 183	5.79 148
90I4	18.43 469	2.52 64	7.19 183	5.79 148
100J4	20.42 519	2.91 74	7.19 183	5.79 148
112L4	22.06 561	2.91 74	8.6 219	6.88 175
132M4	23.65 601	3.9 99	10.28 262	8.09 206
132N4	25.15 639	3.9 99	10.28 262	8.09 206

NOMENCLATURE PAGE ILH-4	MOUNTING POSITIONS PAGE ILH-7	STOCK/NON-STOCK PART NUMBERS PAGE ILH-67	WEIGHTS PAGE ILH-343
----------------------------	----------------------------------	---	-------------------------

DIMENSIONS



QUANTIS

QUANTIS GOLD

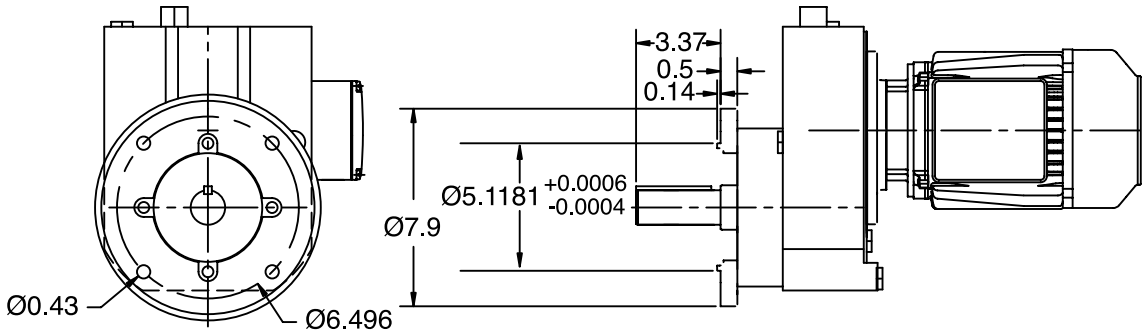
ILH

RHB

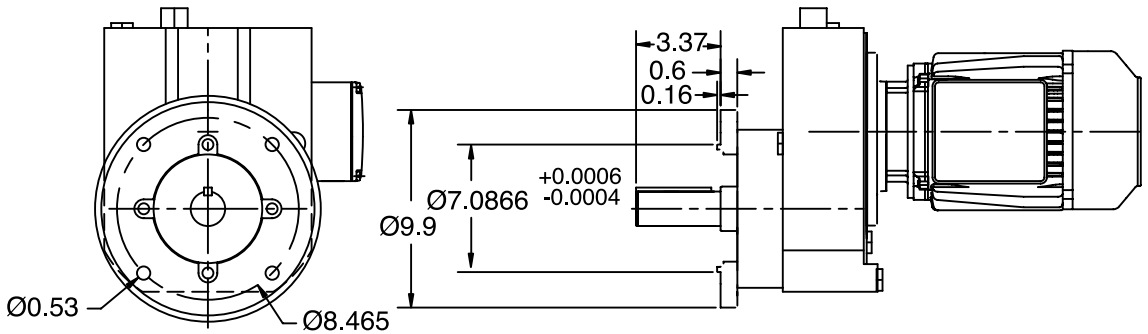
MSM

IN-LINE HELICAL GEAR REDUCER (ILH) Integral Gearmotor - Flange Mounted (B5 / B14 / NEMA) Single Reduction

SIZE: HF68

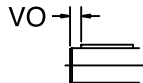


**B5 OUTPUT FLANGE -
Ø200mm**



**B5 OUTPUT FLANGE -
Ø250mm**

METRIC OUTPUT SHAFT



Refer to page ILH-232 for additional dimensions

NOMENCLATURE PAGE ILH-4	MOUNTING POSITIONS PAGE ILH-7	STOCK/NON-STOCK PART NUMBERS PAGE ILH-67	WEIGHTS PAGE ILH-343
----------------------------	----------------------------------	---	-------------------------

DIMENSIONS



IN-LINE HELICAL GEAR REDUCER (ILH) Integral Gearmotor - Flange Mounted (B5 / B14 / NEMA) Single Reduction

SIZE: HF68

Standard Output Shaft					Dimension - Inch/MM	
ØU	tol.	UY	V	VO	KEY	M-TAP x DEPTH
1.375	+0.000 -0.001	1.51	3.37	-	5/16 x 5/16 x 3.00	3/8-16 UNC
30	+0.015 +0.002	33	60	7	8 x 7 x 50	M10 x 22

Motor Frame	H68 Single		P	AB
	C	LB		
	71C4 / 71D4 / 71E4	15.99 407		
80F4	16.15 411	2.56 65	6.19 158	5.12 131
80G4	17.65 449	2.56 65	6.19 158	5.12 131
90H4	17.53 446	2.52 64	7.19 183	5.79 148
90I4	18.43 469	2.52 64	7.19 183	5.79 148
100J4	20.42 519	2.91 74	7.19 183	5.79 148
112L4	22.06 561	2.91 74	8.6 219	6.88 175
132M4	23.65 601	3.9 99	10.28 262	8.09 206
132N4	25.15 639	3.9 99	10.28 262	8.09 206

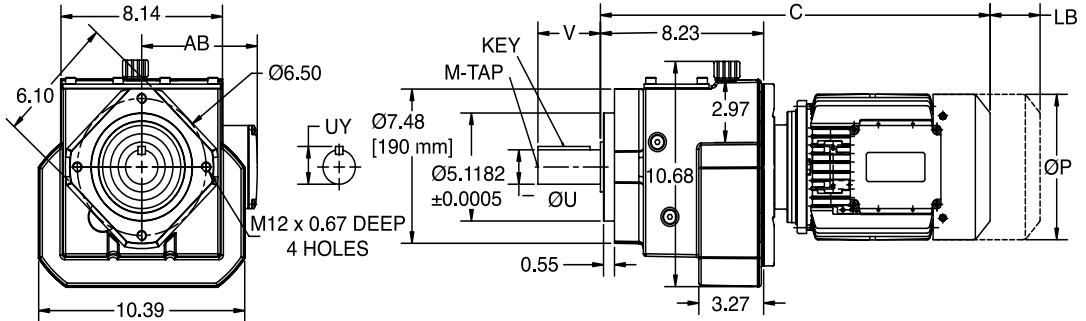
NOMENCLATURE PAGE ILH-4	MOUNTING POSITIONS PAGE ILH-7	STOCK/NON-STOCK PART NUMBERS PAGE ILH-67	WEIGHTS PAGE ILH-343
----------------------------	----------------------------------	---	-------------------------

DIMENSIONS

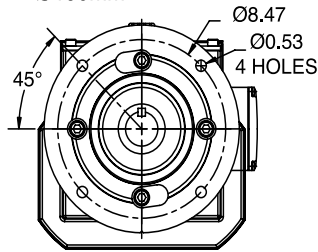


IN-LINE HELICAL GEAR REDUCER (ILH) Integral Gearmotor - Flange Mounted (B5 / B14) Double/Triple Reduction

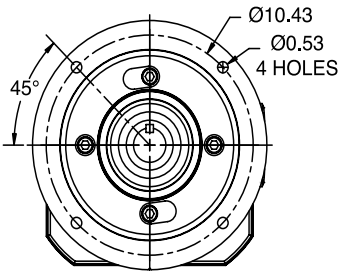
SIZE: HF68



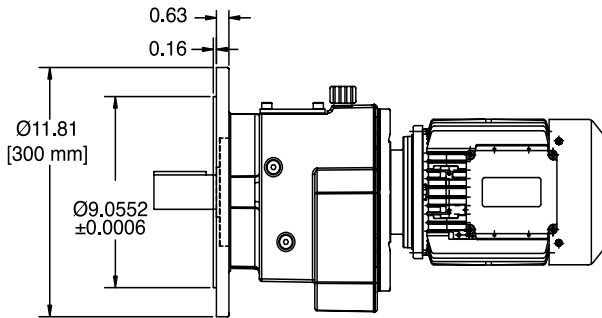
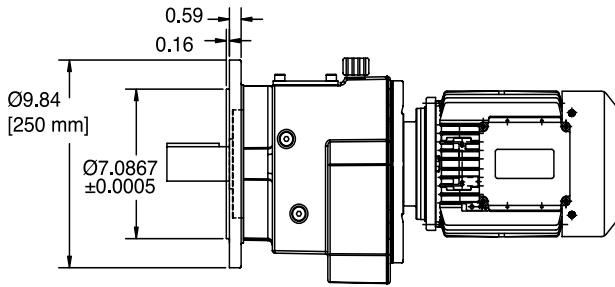
B14 OUTPUT FLANGE -
Ø190mm



B5 OUTPUT FLANGE -
Ø250mm



B5 OUTPUT FLANGE -
Ø300mm



METRIC OUTPUT SHAFT



QUANTIS

QUANTIS GOLD

ILH

RHB

MSM

NOMENCLATURE PAGE ILH-4	MOUNTING POSITIONS PAGE ILH-7	STOCK/NON-STOCK PART NUMBERS PAGE ILH-67	WEIGHTS PAGE ILH-343
----------------------------	----------------------------------	---	-------------------------

DIMENSIONS



IN-LINE HELICAL GEAR REDUCER (ILH) Integral Gearmotor - Flange Mounted (B5 / B14) Double/Triple Reduction

SIZE: HF68

Standard Output Shaft

Dimension - Inch/MM

ØU	tol.	UY	V	VO	KEY	M-TAP x DEPTH
1.625	+0.0000 -0.0010	1.79	3.15	-	3/8 x 3/8 x 2-5/8	5/8 - 11 UNC x 1.42
40	+0.018 +0.002	43	80	5	12 x 8 x 70	M16 x 36

Optional Output Shaft

Dimension - Inch/MM

ØU	tol.	UY	V	VO	KEY	M-TAP x DEPTH
2.125	+0.0000 -0.0010	2.35	3.94	-	1/2 x 1/2 x 3-1/4	3/4 - 10 UNC x 1.65
50	+0.018 +0.002	54	100	10	14 x 9 x 80	M16 x 36

Motor

Dimension - Inch/MM

Frame	H68 Double		H68 Triple		P	AB
	C	LB	C	LB		
71C4 / 71D4 / 71E4	18.32	1.81	19.05	1.81	6.19	5.18
	466	46	484	46	158	132
80F4	18.46	2.56	19.19	2.56	6.19	5.12
	469	65	488	65	158	131
80G4	19.96	2.56	20.69	2.56	6.19	5.12
	507	65	526	65	158	131
90H4	19.89	2.52	20.62	2.52	7.19	5.79
	506	64	524	64	183	148
90I4	20.78	2.52	21.5	2.52	7.19	5.79
	528	64	547	64	183	148
100J4	22.78	2.91	23.52	2.91	7.19	5.79
	579	74	598	74	183	148
112L4	24.43	2.91	-	-	8.6	6.88
	621	74	-	-	219	175
132M4	25.98	3.9	-	-	10.28	8.09
	660	99	-	-	262	206
132N4	27.48	3.9	-	-	10.28	8.09
	698	99	-	-	262	206

NOMENCLATURE PAGE ILH-4	MOUNTING POSITIONS PAGE ILH-7	STOCK/NON-STOCK PART NUMBERS PAGE ILH-67	WEIGHTS PAGE ILH-343
----------------------------	----------------------------------	---	-------------------------

DIMENSIONS



QUANTIS

QUANTIS GOLD

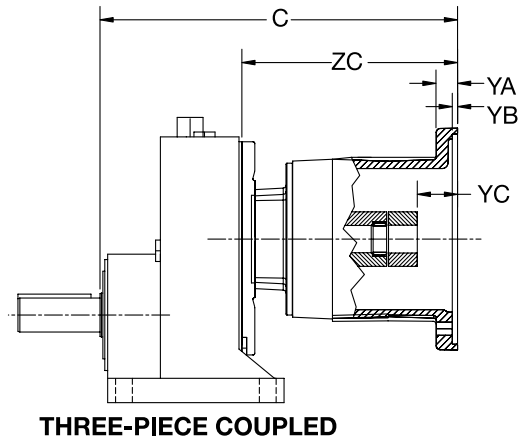
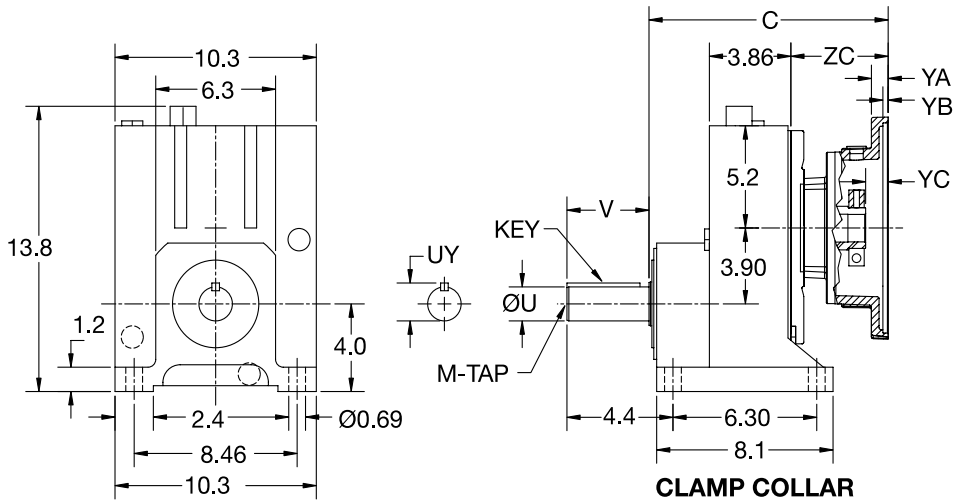
ILH

RHB

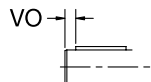
MSM

IN-LINE HELICAL GEAR REDUCER (ILH) NEMA C-Face - Foot Mounted - Clamp Collar / 3 Piece Coupled Single Reduction

SIZE: HB88



METRIC OUTPUT SHAFT



NOMENCLATURE PAGE ILH-4	MOUNTING POSITIONS PAGE ILH-7	STOCK/NON-STOCK PART NUMBERS PAGE ILH-67	WEIGHTS PAGE ILH-343
----------------------------	----------------------------------	---	-------------------------

DIMENSIONS



IN-LINE HELICAL GEAR REDUCER (ILH) NEMA C-Face - Foot Mounted - Clamp Collar / 3 Piece Coupled Single Reduction

SIZE: HB88

Standard Output Shaft					Dimension - Inch/MM	
ØU	tol.	UY	V	VO	KEY	M-TAP x DEPTH
1.625	+0.000 -0.001	1.79	3.15	-	3/8 x 3/8 x 2.75	5/8 - 11 UNC
40	+0.018 +0.002	43	80	5	12 x 8 x 70	M16 x 36

NEMA Motor Adapter - Clamp Collar			Dimension - Inch		
	H88 Single		YA	YB	YC
	C	ZC			
140TC	9.5	3.1	0.47	0.20	0.67
180TC	10.9	4.5	0.73	0.22	0.91
210TC	12.8	6.4	0.69	0.22	0.89
250TC	12.7	6.3	0.95	0.20	1.13

NEMA Motor Adapter - 3 Piece Coupled			Dimension - Inch		
	H88 Single		YA	YB	YC
	C	ZC			
140TC	13.4	7.0	0.55	0.20	1.10
180TC	14.5	8.1	0.73	0.22	1.65
210TC	16.4	10.0	0.87	0.22	2.01
250TC	18.4	12.0	0.95	0.20	2.17

Refer to page Engineering-2 for Input Shaft and Flange details.

QUANTIS

QUANTIS GOLD

ILH

RHB

MSM

NOMENCLATURE PAGE ILH-4	MOUNTING POSITIONS PAGE ILH-7	STOCK/NON-STOCK PART NUMBERS PAGE ILH-67	WEIGHTS PAGE ILH-343
----------------------------	----------------------------------	---	-------------------------

DIMENSIONS



QUANTIS

QUANTIS GOLD

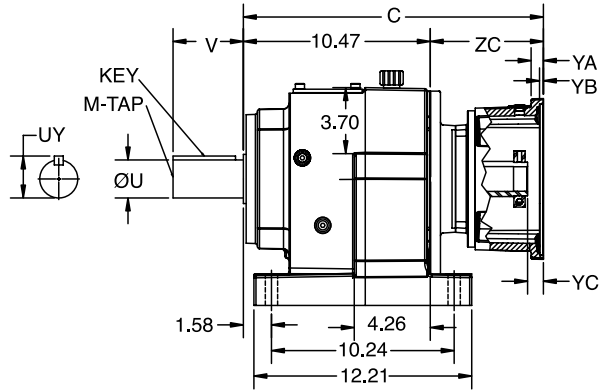
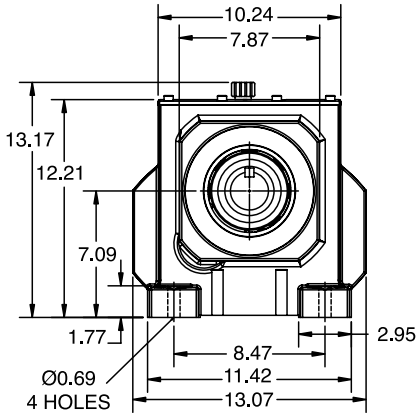
ILH

RHB

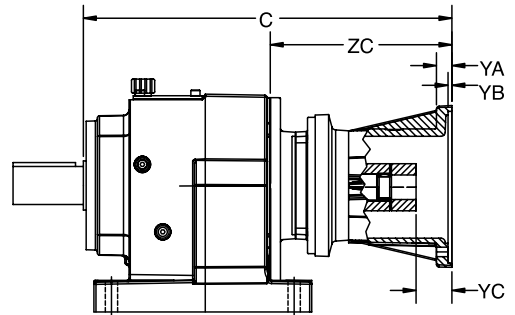
MSM

IN-LINE HELICAL GEAR REDUCER (ILH) NEMA C-Face - Foot Mounted - Clamp Collar / 3 Piece Coupled Double/Triple Reduction

SIZE: HB88

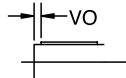


CLAMP COLLAR



THREE-PIECE COUPLED

METRIC OUTPUT SHAFT



NOMENCLATURE
PAGE ILH-4

MOUNTING POSITIONS
PAGE ILH-7

STOCK/NON-STOCK PART NUMBERS
PAGE ILH-67

WEIGHTS
PAGE ILH-343

DIMENSIONS



IN-LINE HELICAL GEAR REDUCER (ILH) NEMA C-Face - Foot Mounted - Clamp Collar / 3 Piece Coupled Double/Triple Reduction

SIZE: HB88

Standard Output Shaft					Dimension - Inch/MM	
ØU	tol.	UY	V	VO	KEY	M-TAP x DEPTH
2.125	+0.0000 -0.0010	2.35	3.94	-	1/2 x 1/2 x 3-1/4	3/4 - 10 UNC x 1.65
50	+0.018 +0.002	54	100	10	14 x 9 x 80	M16 x 36

Optional Output Shaft					Dimension - Inch/MM	
ØU	tol.	UY	V	VO	KEY	M-TAP x DEPTH
2.375	+0.0000 -0.0010	2.65	4.72	-	5/8 x 5/8 x 3-15/16	3/4 - 10 UNC x 1.65
60	+0.030 +0.011	64	120	10	18 x 11 x 100	M20 x 42

	NEMA Motor Adapter - Clamp Collar				Dimension - Inch		
	H88 Double		H88 Triple		YA	YB	YC
	C	ZC	C	ZC			
56C	-	-	13.88	3.41	0.47	0.20	0.67
140TC	13.56	3.09	14.55	4.08	0.47	0.20	0.67
180TC	14.92	4.45	16.06	5.59	0.73	0.22	0.91
210TC	16.85	6.38	17.95	7.48	0.69	0.22	0.89
250TC	16.74	6.27	-	-	0.95	0.20	1.13

	NEMA Motor Adapter - 3 Piece Coupled				Dimension - Inch		
	H88 Double		H88 Triple		YA	YB	YC
	C	ZC	C	ZC			
56C	-	-	17.01	6.54	0.55	0.20	1.08
140TC	17.44	6.97	18.43	7.96	0.55	0.20	1.10
180TC	18.50	8.03	19.64	9.17	0.73	0.22	1.65
210TC	20.65	10.18	21.75	11.28	0.87	0.22	2.01
250TC	22.60	12.13	-	-	0.95	0.20	2.17

Refer to page Engineering-2 for Input Shaft and Flange details

NOMENCLATURE PAGE ILH-4	MOUNTING POSITIONS PAGE ILH-7	STOCK/NON-STOCK PART NUMBERS PAGE ILH-67	WEIGHTS PAGE ILH-343
----------------------------	----------------------------------	---	-------------------------

DIMENSIONS



QUANTIS

QUANTIS GOLD

ILH

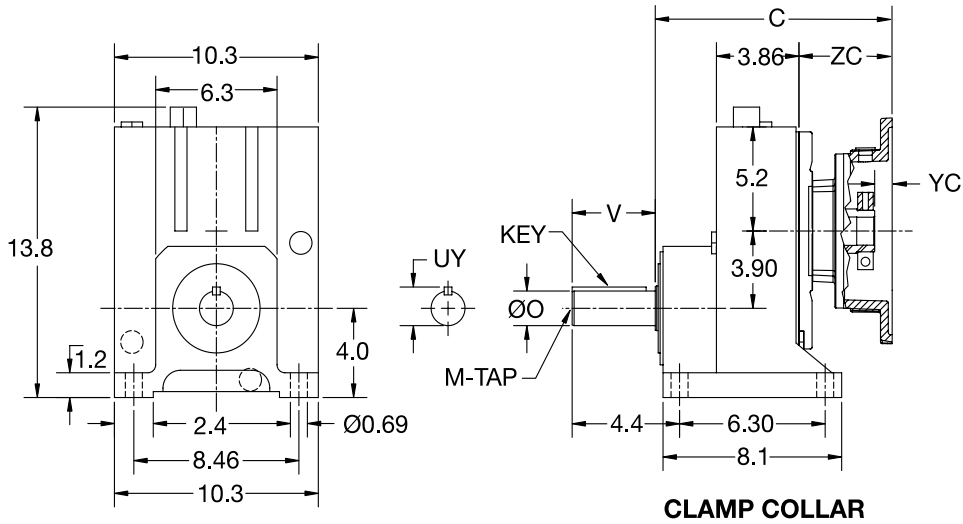
RHB

MSM

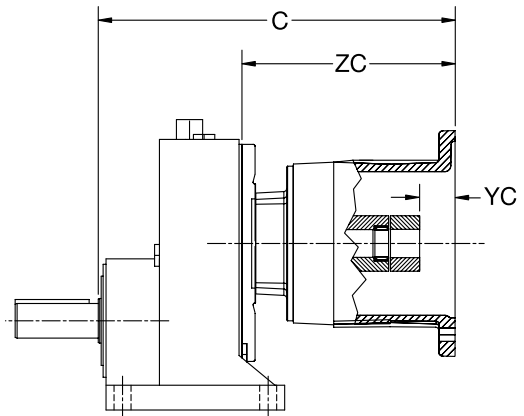
IN-LINE HELICAL GEAR REDUCER (ILH)

SIZE: HB88

IEC D Flange (B5 Input) - Foot Mounted - Clamp Collar / 3 Piece Coupled
Single Reduction

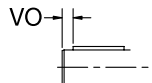


CLAMP COLLAR



THREE-PIECE COUPLED

METRIC OUTPUT SHAFT



NOMENCLATURE PAGE ILH-4	MOUNTING POSITIONS PAGE ILH-7	STOCK/NON-STOCK PART NUMBERS PAGE ILH-67	WEIGHTS PAGE ILH-343
----------------------------	----------------------------------	---	-------------------------

DIMENSIONS



IN-LINE HELICAL GEAR REDUCER (ILH)

SIZE: HB88

IEC D Flange (B5 Input) - Foot Mounted - Clamp Collar / 3 Piece Coupled
Single Reduction

Standard Output Shaft

Dimension - Inch/MM

ØU	tol.	UY	V	VO	KEY	M-TAP x DEPTH
1.625	+0.000 -0.001	1.79	3.15	-	3/8 x 3/8 x 2.75	5/8 - 11 UNC
40	+0.018 +0.002	43	80	5	12 x 8 x 70	M16 x 36

IEC Motor Adapter - Clamp Collar Dimension - Inch

	H88 Single		YC
	C	ZC	
90D	9.1	2.7	0.61
100D	9.3	2.9	0.28
112D	9.5	3.1	0.28
132D	11.1	4.7	0.87
160D	12.8	6.4	0.79

IEC Motor Adapter - 3 Piece Coupled Dimension - Inch

	H88 Single		YC
	C	ZC	
90D	13.3	6.9	1.02
100D	14.1	7.7	1.18
112D	13.9	7.5	1.18
132D	16.4	10.0	1.77
160D	19.0	12.6	2.60

Refer to Engineering-3 for Input Shaft and Flange details.

QUANTIS

QUANTIS GOLD

ILH

RHB

MSM

NOMENCLATURE PAGE ILH-4	MOUNTING POSITIONS PAGE ILH-7	STOCK/NON-STOCK PART NUMBERS PAGE ILH-67	WEIGHTS PAGE ILH-343
----------------------------	----------------------------------	---	-------------------------

DIMENSIONS



QUANTIS

QUANTIS GOLD

ILH

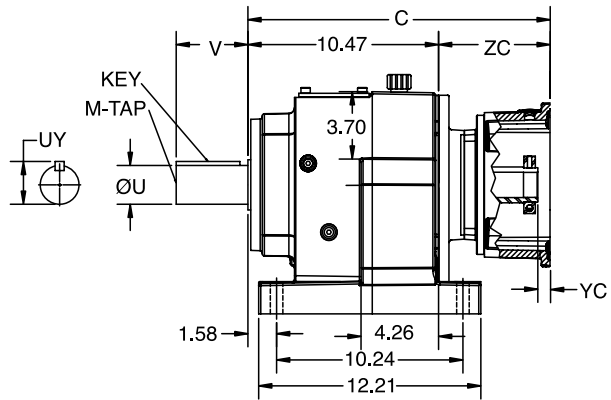
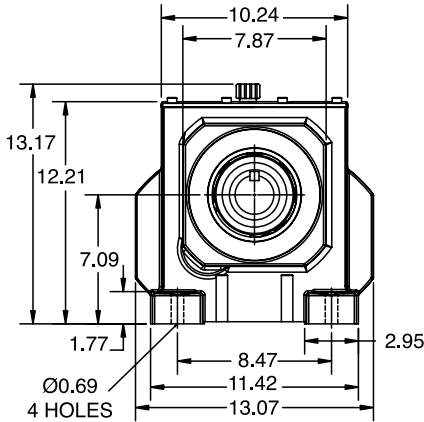
RHB

MSM

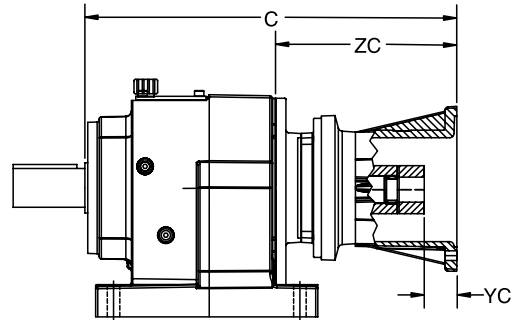
IN-LINE HELICAL GEAR REDUCER (ILH)

SIZE: HB88

IEC D Flange (B5 Input) - Foot Mounted - Clamp Collar / 3 Piece Coupled
Double/Triple Reduction

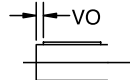


CLAMP COLLAR



THREE-PIECE COUPLED

METRIC OUTPUT SHAFT



NOMENCLATURE
PAGE ILH-4

MOUNTING POSITIONS
PAGE ILH-7

STOCK/NON-STOCK PART NUMBERS
PAGE ILH-67

WEIGHTS
PAGE ILH-343

IN-LINE HELICAL GEAR REDUCER (ILH)

SIZE: HB88

IEC D Flange (B5 Input) - Foot Mounted - Clamp Collar / 3 Piece Coupled
Double/Triple Reduction

Standard Output Shaft					Dimension - Inch/MM	
ØU	tol.	UY	V	VO	KEY	M-TAP x DEPTH
2.125	+0.0000 -0.0010	2.35	3.94	-	1/2 x 1/2 x 3-1/4	3/4 - 10 UNC x 1.65
50	+0.018 +0.002	54	100	10	14 x 9 x 80	M16 x 36

Optional Output Shaft					Dimension - Inch/MM	
ØU	tol.	UY	V	VO	KEY	M-TAP x DEPTH
2.375	+0.0000 -0.0010	2.65	4.72	-	5/8 x 5/8 x 3-15/16	3/4 - 10 UNC x 1.65
60	+0.030 +0.011	64	120	10	18 x 11 x 100	M20 x 42

	IEC Motor Adapter - Clamp Collar				YC
	H88 Double		H88 Triple		
	C	ZC	C	ZC	
71D	-	-	13.17	2.70	0.16
80D	-	-	14.11	3.64	0.61
90D	13.13	2.66	14.11	3.64	0.61
100D	13.33	2.86	14.41	3.94	0.28
112D	13.54	3.07	14.69	4.22	0.28
132D	15.16	4.69	16.26	5.79	0.87
160D	16.85	6.38	-	-	0.79

	IEC Motor Adapter - 3 Piece Coupled				YC
	H88 Double		H88 Triple		
	C	ZC	C	ZC	
80D	-	-	18.35	7.88	0.59
90D	17.36	6.89	18.35	7.88	1.02
100D	18.15	7.68	19.23	8.76	1.18
112D	17.99	7.52	19.13	8.66	1.18
132D	20.41	9.94	21.52	11.05	1.77
160D	23.03	12.56	-	-	2.60

Refer to page Engineering-3 for Input Shaft and Flange details

NOMENCLATURE PAGE ILH-4	MOUNTING POSITIONS PAGE ILH-7	STOCK/NON-STOCK PART NUMBERS PAGE ILH-67	WEIGHTS PAGE ILH-343
----------------------------	----------------------------------	---	-------------------------

DIMENSIONS



QUANTIS

QUANTIS GOLD

ILH

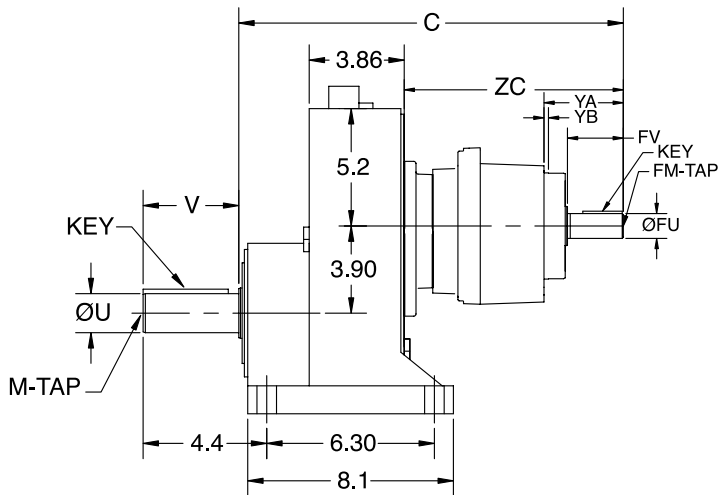
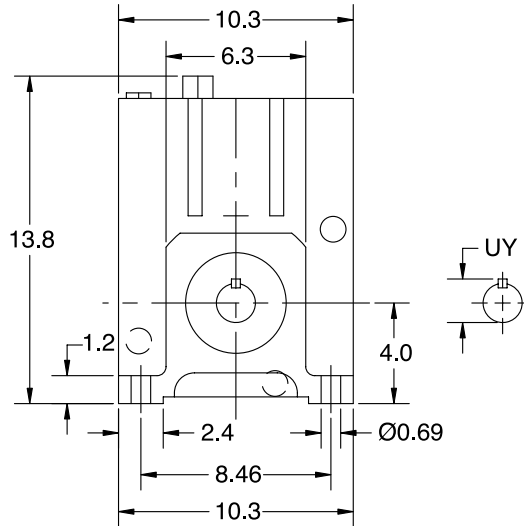
RHB

MSM

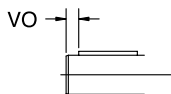
IN-LINE HELICAL GEAR REDUCER (ILH)

SIZE: HB88

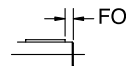
Separate - Foot Mounted
Single Reduction



METRIC OUTPUT SHAFT



METRIC INPUT SHAFT



NOMENCLATURE
PAGE ILH-4

MOUNTING POSITIONS
PAGE ILH-7

STOCK/NON-STOCK PART NUMBERS
PAGE ILH-67

WEIGHTS
PAGE ILH-343

IN-LINE HELICAL GEAR REDUCER (ILH)

SIZE: HB88

Separate - Foot Mounted
Single Reduction

Standard Output Shaft

Dimension - Inch/MM

ØU	tol.	UY	V	VO	KEY	M-TAP x DEPTH
1.625	+0.000 -0.001	1.79	3.15	-	3/8 x 3/8 x 2.75	5/8 - 11 UNC
40	+0.018 +0.002	43	80	5	12 x 8 x 70	M16 x 36

Separate Input

Dimension - Inch/MM

	H88 Single		FO	FM x Depth	ØFU	tol.	FV	YA	YB	KEY
	C	ZC								
90	13.1	6.7	-	5/16-18 UNC x 0.75	0.875	+0.0000 -0.0005	1.97	2.8	0.16	3/16 x 3/16 x 1-5/8
	332	170	5	M8 x 19	24	+0.015 +0.002	50			8 x 7 x 40
100	13.6	7.2	-	3/8-16 UNC x 0.87	1.125	+0.0000 -0.0005	2.36	3.27	0.16	1/4 x 1/4 x 2
	345	183	5	M10 x 22	28	+0.015 +0.002	60			8 x 7 x 50
112	13.5	7.1	-	3/8-16 UNC x 0.87	1.250	+0.0000 -0.0005	2.36	3.27	0.16	1/4 x 1/4 x 2
	343	181	5	M10 x 22	28	+0.015 +0.002	60			8 x 7 x 50
132	16.9	10.5	-	3/8-16 UNC x 1.10	1.375	+0.0000 -0.0005	3.15	6.61	0.14	5/16 x 5/16 x 2-3/4
	428	266	5	M12 x 28	38	+0.018 +0.002	80			10 x 8 x 70
160	18.6	12.2	-	5/8-11 UNC x 1.42	1.625	+0.0000 -0.0010	4.33	8.46	0.14	3/8 x 3/8 x 3-1/2
	471	309	10	M16 x 36	42	+0.018 +0.002	110			12 x 8 x 90

Refer to page Engineering-4 for Input Shaft and Flange details.

NOMENCLATURE PAGE ILH-4	MOUNTING POSITIONS PAGE ILH-7	STOCK/NON-STOCK PART NUMBERS PAGE ILH-67	WEIGHTS PAGE ILH-343
----------------------------	----------------------------------	---	-------------------------

DIMENSIONS



QUANTIS

QUANTIS GOLD

ILH

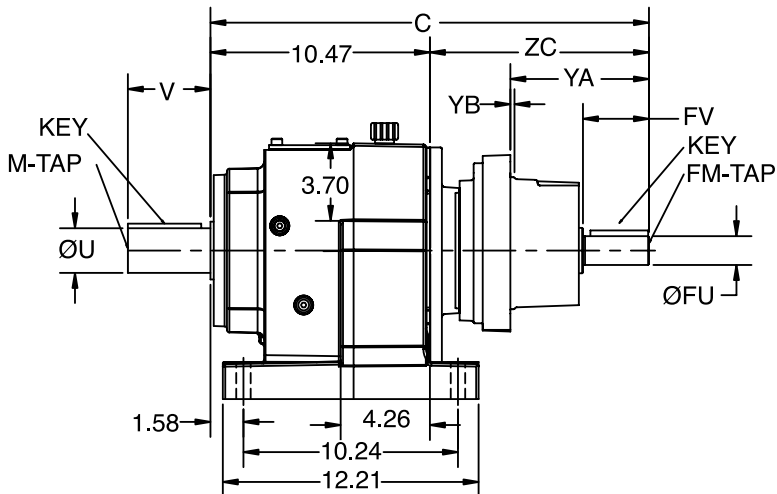
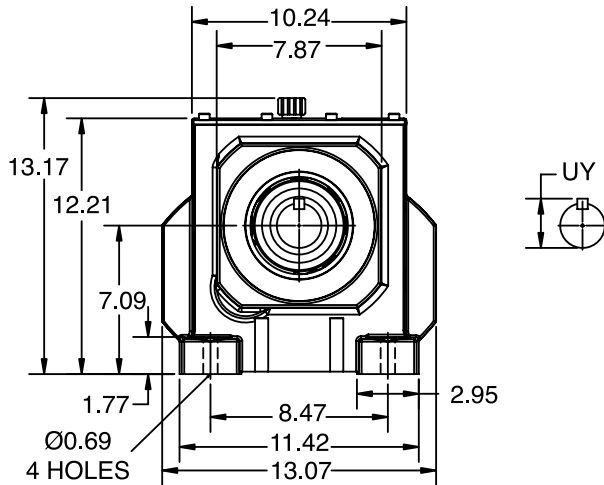
RHB

MSM

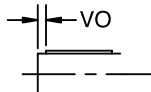
IN-LINE HELICAL GEAR REDUCER (ILH)

SIZE: HB88

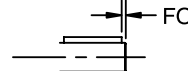
Separate - Foot Mounted
Double/Triple Reduction



METRIC OUTPUT SHAFT



METRIC INPUT SHAFT



NOMENCLATURE
PAGE ILH-4

MOUNTING POSITIONS
PAGE ILH-7

STOCK/NON-STOCK PART NUMBERS
PAGE ILH-67

WEIGHTS
PAGE ILH-343

IN-LINE HELICAL GEAR REDUCER (ILH)

SIZE: HB88

Separate - Foot Mounted
Double/Triple Reduction

Standard Output Shaft					Dimension - Inch/MM	
ØU	tol.	UY	V	VO	KEY	M-TAP x DEPTH
2.125	+0.0000 -0.0010	2.35	3.94	-	1/2 x 1/2 x 3-1/4	3/4 - 10 UNC x 1.65
50	+0.018 +0.002	54	100	10	14 x 9 x 80	M16 x 36

Optional Output Shaft					Dimension - Inch/MM	
ØU	tol.	UY	V	VO	KEY	M-TAP x DEPTH
2.375	+0.0000 -0.0010	2.65	4.72	-	5/8 x 5/8 x 3-15/16	3/4 - 10 UNC x 1.65
60	+0.030 +0.011	64	120	10	18 x 11 x 100	M20 x 42

Separate Input										Dimension - Inch/MM		
	H88 Double		H88 Triple		FO	FM x Depth	ØFU	tol.	FV	YA	YB	KEY
	C	ZC	C	ZC								
71	-	-	16.38	5.91	-	8-32 UNC x 0.49	0.625	+0.0000 -0.0005	1.57	2.40	0.16	3/16 x 3/16 x 1-5/16
	-	-	416	150	4	M5 x 12.5	16	+0.012 +0.001	40			5 x 5 x 32
80	-	-	17.76	7.29	-	1/4-20 UNC x 0.63	0.750	+0.0000 -0.0005	1.57	2.40	0.16	3/16 x 3/16 x 1-5/16
	-	-	451	185	4	M6 x 16	19	+0.015 +0.002	40			6 x 6 x 32
90	17.17	6.70	18.15	7.68	-	5/16-18 UNC x 0.75	0.875	+0.0000 -0.0005	1.97	2.80	0.16	3/16 x 3/16 x 1-5/8
	436	170	461	195	5	M8 x 19	24	+0.015 +0.002	50			8 x 7 x 40
100	17.68	7.21	18.78	8.31	-	3/8-16 UNC x 0.87	1.125	+0.0000 -0.0005	2.36	3.27	0.16	1/4 x 1/4 x 2
	449	183	477	211	5	M10 x 22	28	+0.015 +0.002	60			8 x 7 x 50
112	17.60	7.13	18.74	8.27	-	3/8-16 UNC x 0.87	1.250	+0.0000 -0.0005	2.36	3.27	0.16	1/4 X 1/4 X 2
	447	181	476	210	5	M10 x 22	28	+0.015 +0.002	60			8 x 7 x 50
132	20.94	10.47	22.05	11.58	-	3/8-16 UNC x 1.10	1.375	+0.0000 -0.0005	3.15	6.61	0.14	5/16 x 5/16 x 2-3/4
	532	266	560	294	5	M12 x 28	38	+0.018 +0.002	80			10 x 8 x 70
160	22.64	12.17	-	-	-	5/8 x UNC x 1.42	1.625	+0.0000 -0.0010	4.33	8.46	0.14	3/8 x 3/8 x 3-1/2
	575	309	-	-	10	M16 x 36	42	+0.018 +0.002	110			12 x 8 x 90

Refer to page Engineering-4 for Input Shaft and Flange details.

NOMENCLATURE PAGE ILH-4	MOUNTING POSITIONS PAGE ILH-7	STOCK/NON-STOCK PART NUMBERS PAGE ILH-67	WEIGHTS PAGE ILH-343
----------------------------	----------------------------------	---	-------------------------

DIMENSIONS



QUANTIS

IN-LINE HELICAL GEAR REDUCER (ILH)

SIZE: HB88

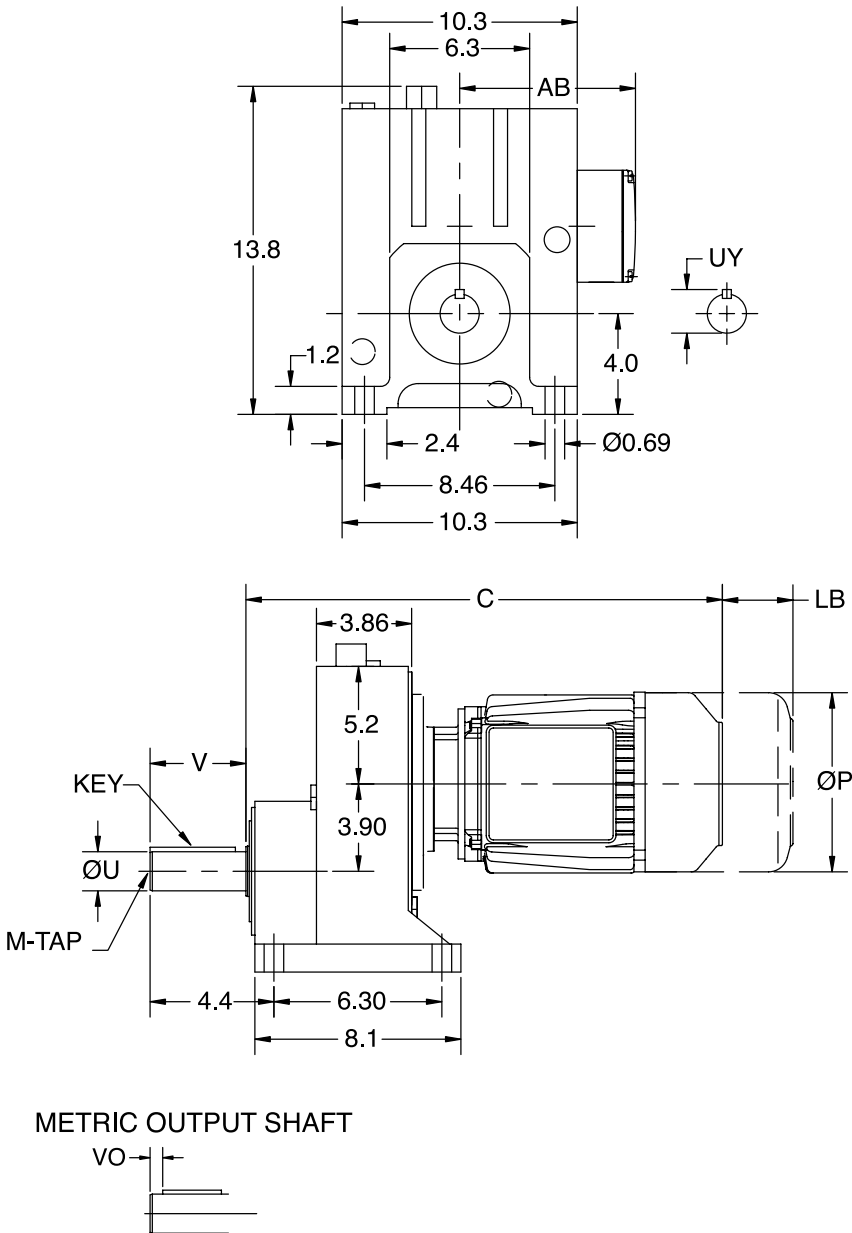
Integral Gearmotor - Foot Mounted
Single Reduction

QUANTIS GOLD

ILH

RHB

MSM



NOMENCLATURE PAGE ILH-4	MOUNTING POSITIONS PAGE ILH-7	STOCK/NON-STOCK PART NUMBERS PAGE ILH-67	WEIGHTS PAGE ILH-343
----------------------------	----------------------------------	---	-------------------------

DIMENSIONS



IN-LINE HELICAL GEAR REDUCER (ILH) Integral Gearmotor - Foot Mounted Single Reduction

SIZE: HB88

Standard Output Shaft

Dimension - Inch/MM

ØU	tol.	UY	V	VO	KEY	M-TAP x DEPTH
1.625	+0.000 -0.001	1.79	3.15	-	3/8 x 3/8 x 2.75	5/8 - 11 UNC
40	+0.018 +0.002	43	80	5	12 x 8 x 70	M16 x 36

Motor

Dimension - Inch/MM

Fame	H88 Single		P	AB
	C	LB		
90H4	17.53	2.52	7.19	5.79
	446	64	183	148
90I4	18.33	2.52	7.19	5.79
	466	64	183	148
100J4	20.32	2.91	7.19	5.79
	517	74	183	148
112L4	21.86	2.91	8.6	6.88
	556	74	219	175
132M4	23.45	3.9	10.28	8.09
	596	99	262	206
132N4	24.95	3.9	10.28	8.09
	634	99	262	206

QUANTIS

QUANTIS GOLD

ILH

RHB

MSM

NOMENCLATURE PAGE ILH-4	MOUNTING POSITIONS PAGE ILH-7	STOCK/NON-STOCK PART NUMBERS PAGE ILH-67	WEIGHTS PAGE ILH-343
----------------------------	----------------------------------	---	-------------------------

DIMENSIONS



QUANTIS

QUANTIS GOLD

ILH

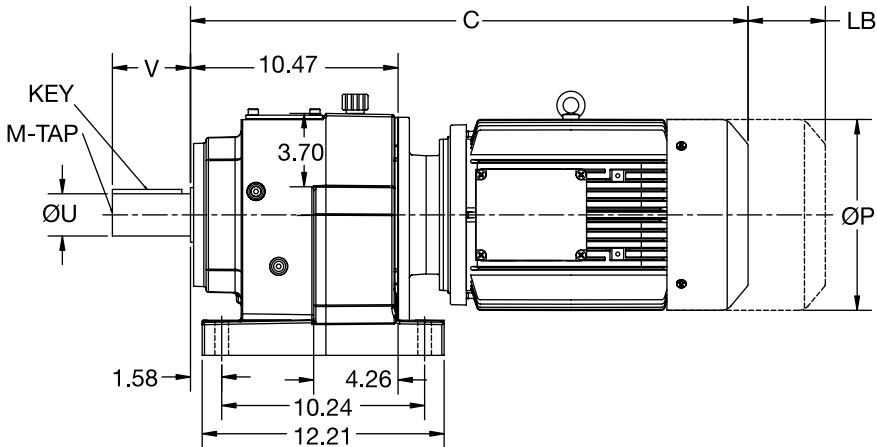
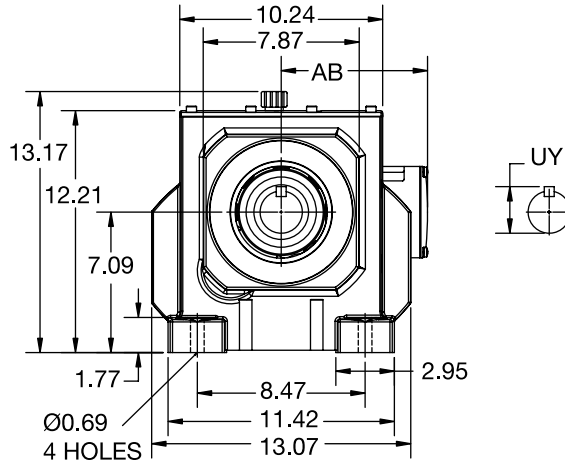
RHB

MSM

IN-LINE HELICAL GEAR REDUCER (ILH)

SIZE: HB88

Integral Gearmotor - Foot Mounted
Double/Triple Reduction



METRIC OUTPUT SHAFT



NOMENCLATURE
PAGE ILH-4

MOUNTING POSITIONS
PAGE ILH-7

STOCK/NON-STOCK PART NUMBERS
PAGE ILH-67

WEIGHTS
PAGE ILH-343

IN-LINE HELICAL GEAR REDUCER (ILH)

SIZE: HB88

Integral Gearmotor - Foot Mounted

Double/Triple Reduction

Standard Output Shaft

Dimension - Inch/MM

ØU	tol.	UY	V	VO	KEY	M-TAP x DEPTH
2.125	+0.0000 -0.0010	2.35	3.94	-	1/2 x 1/2 x 3-1/4	3/4 - 10 UNC x 1.65
50	+0.018 +0.002	54	100	10	14 x 9 x 80	M16 x 36

Optional Output Shaft

Dimension - Inch/MM

ØU	tol.	UY	V	VO	KEY	M-TAP x DEPTH
2.375	+0.0000 -0.0010	2.65	4.72	-	5/8 x 5/8 x 3-15/16	3/4 - 10 UNC x 1.65
60	+0.030 +0.011	64	120	10	18 x 11 x 100	M20 x 42

Motor

Dimension - Inch/MM

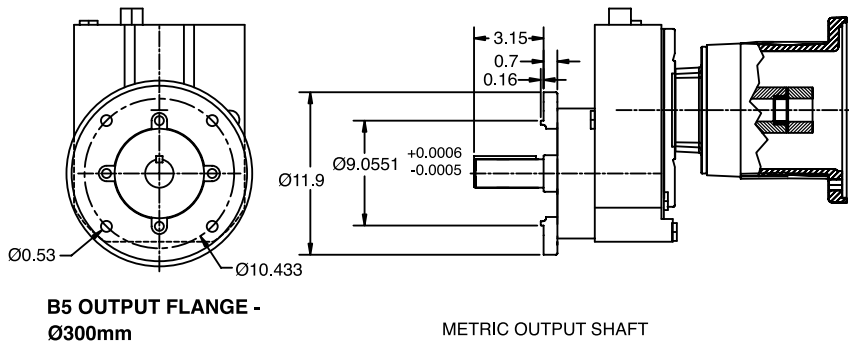
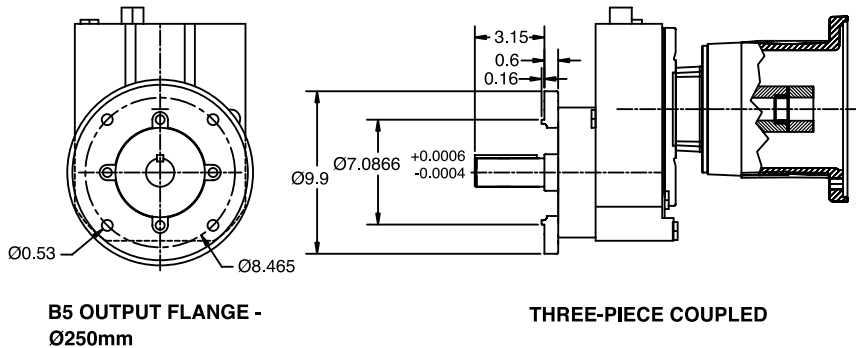
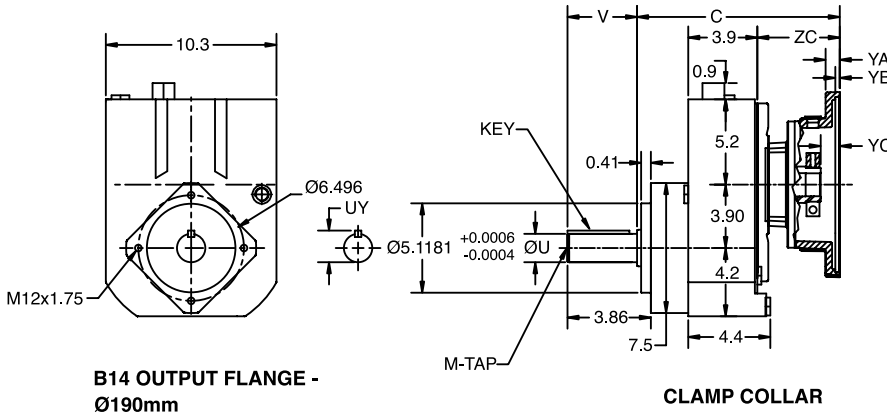
Frame	H88 Double		H88 Triple		P	AB
	C	LB	C	LB		
71C4 / 71D4 / 71E4	-	-	20.96	1.81	6.19	5.18
			533	46	158	132
80F4	-	-	21.1	2.56	6.19	5.12
			536	65	158	131
80G4	-	-	22.6	2.56	6.19	5.12
			575	65	158	131
90H4	21.54	2.52	22.53	2.52	7.19	5.79
	548	64	573	64	183	148
90I4	22.43	2.52	23.41	2.52	7.19	5.79
	570	64	595	64	183	148
100J4	24.32	2.91	25.41	2.91	7.19	5.79
	618	74	646	74	183	148
112L4	25.94	2.91	27.08	2.91	8.6	6.88
	659	74	688	74	219	175
132M4	27.5	3.9	28.6	3.9	10.28	8.09
	699	99	727	99	262	206
132N4	29	3.9	-	-	10.28	8.09
	737	99			262	206

NOMENCLATURE PAGE ILH-4	MOUNTING POSITIONS PAGE ILH-7	STOCK/NON-STOCK PART NUMBERS PAGE ILH-67	WEIGHTS PAGE ILH-343
----------------------------	----------------------------------	---	-------------------------

IN-LINE HELICAL GEAR REDUCER (ILH)

SIZE: HF88

NEMA C-Face - Flange Mounted (B5 / B14) - Clamp Collar - 3 Piece Coupled
Single Reduction



NOMENCLATURE PAGE ILH-4	MOUNTING POSITIONS PAGE ILH-7	STOCK/NON-STOCK PART NUMBERS PAGE ILH-67	WEIGHTS PAGE ILH-343
----------------------------	----------------------------------	---	-------------------------

DIMENSIONS



IN-LINE HELICAL GEAR REDUCER (ILH)

SIZE: HF88

NEMA C-Face - Flange Mounted (B5 / B14) - Clamp Collar - 3 Piece Coupled
Single Reduction

Standard Output Shaft			Dimension - Inch/MM			
ØU	tol.	UY	V	VO	KEY	M-TAP x DEPTH
1.625	+0.000 -0.001	1.79	3.15	-	3/8 x 3/8 x 2.75	5/8 - 11 UNC
40	+0.018 +0.002	43	80	5	12 x 8 x 70	M16 x 36

NEMA Motor Adapter - Clamp Collar			Dimension - Inch		
	H88 Single		YA	YB	YC
	C	ZC			
140TC	9.5	3.1	0.47	0.20	0.67
180TC	10.9	4.5	0.73	0.22	0.91
210TC	12.8	6.4	0.69	0.22	0.89
250TC	12.7	6.3	0.95	0.20	1.13

NEMA Motor Adapter - 3 Piece Coupled			Dimension - Inch		
	H88 Single		YA	YB	YC
	C	ZC			
140TC	13.4	7.0	0.55	0.20	1.10
180TC	14.5	8.1	0.73	0.22	1.65
210TC	16.4	10.0	0.87	0.22	2.01
250TC	18.4	12.0	0.95	0.20	2.17

Refer to page Engineering-2 for Input Shaft and Flange details.

QUANTIS

QUANTIS GOLD

ILH

RHB

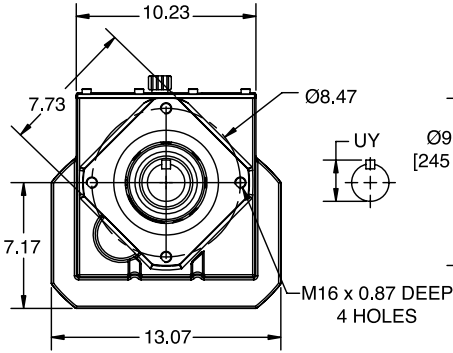
MSM

NOMENCLATURE PAGE ILH-4	MOUNTING POSITIONS PAGE ILH-7	STOCK/NON-STOCK PART NUMBERS PAGE ILH-67	WEIGHTS PAGE ILH-343
----------------------------	----------------------------------	---	-------------------------

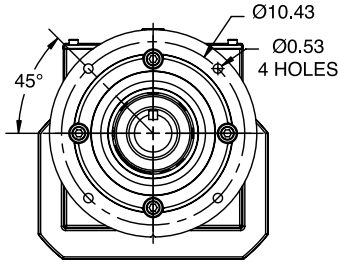
IN-LINE HELICAL GEAR REDUCER (ILH)

SIZE: HF88

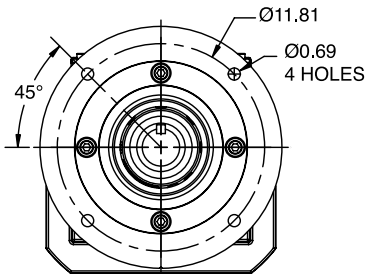
**NEMA C-Face - Flange Mounted (B5 / B14) - Clamp Collar - 3 Piece Coupled
Double/Triple Reduction**



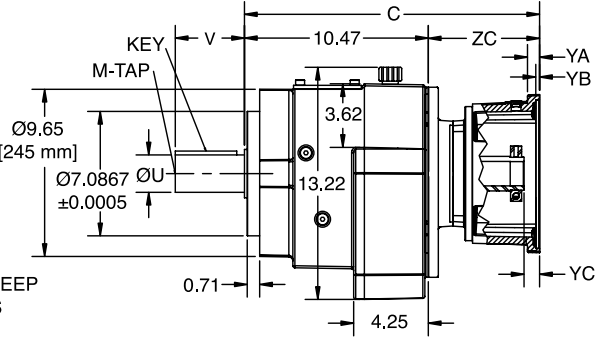
**B14 OUTPUT FLANGE -
Ø245mm**



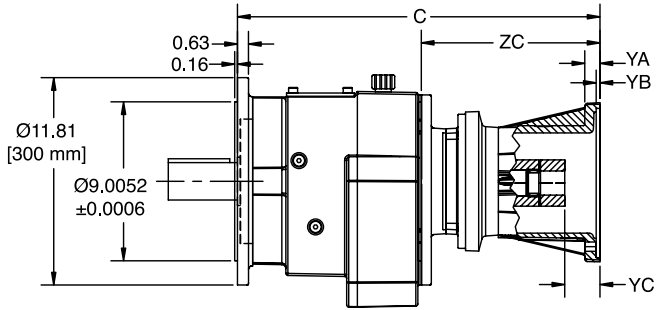
**B5 OUTPUT FLANGE -
Ø300mm**



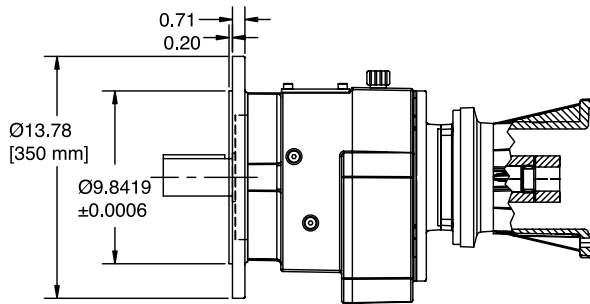
**B5 OUTPUT FLANGE -
Ø350mm**



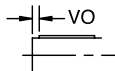
CLAMP COLLAR



THREE-PIECE COUPLED



METRIC OUTPUT SHAFT



DIMENSIONS



IN-LINE HELICAL GEAR REDUCER (ILH)

SIZE: HF88

NEMA C-Face - Flange Mounted (B5 / B14) - Clamp Collar - 3 Piece Coupled Double/Triple Reduction

Standard Output Shaft					Dimension - Inch/MM	
ØU	tol.	UY	V	VO	KEY	M-TAP x DEPTH
2.125	+0.0000 -0.0010	2.35	3.94	-	1/2 x 1/2 x 3-1/4	3/4 - 10 UNC x 1.65
50	+0.018 +0.002	54	100	10	14 x 9 x 80	M16 x 36

Optional Output Shaft					Dimension - Inch/MM	
ØU	tol.	UY	V	VO	KEY	M-TAP x DEPTH
2.375	+0.0000 -0.0010	2.65	4.72	-	5/8 x 5/8 x 3-15/16	3/4 - 10 UNC x 1.65
60	+0.030 +0.011	64	120	10	18 x 11 x 100	M20 x 42

NEMA Motor Adapter - Clamp Collar					Dimension - Inch		
	H88 Double		H88 Triple		YA	YB	YC
	C	ZC	C	ZC			
56C	-	-	13.88	3.41	0.47	0.20	0.67
140TC	13.56	3.09	14.55	4.08	0.47	0.20	0.67
180TC	14.92	4.45	16.06	5.59	0.69	0.22	0.93
210TC	16.85	6.38	17.95	7.48	0.69	0.22	0.89
250TC	16.74	6.27	-	-	0.94	0.20	1.13

NEMA Motor Adapter - 3 Piece Coupled					Dimension - Inch		
	H88 Double		H88 Triple		YA	YB	YC
	C	ZC	C	ZC			
56C	-	-	17.01	6.54	0.55	0.20	1.08
140TC	17.44	6.97	18.43	7.96	0.55	0.20	1.10
180TC	18.50	8.03	19.64	9.17	0.87	0.22	1.65
210TC	20.65	10.18	21.75	11.28	0.87	0.22	2.01
250TC	22.60	12.13	-	-	0.94	0.20	2.17

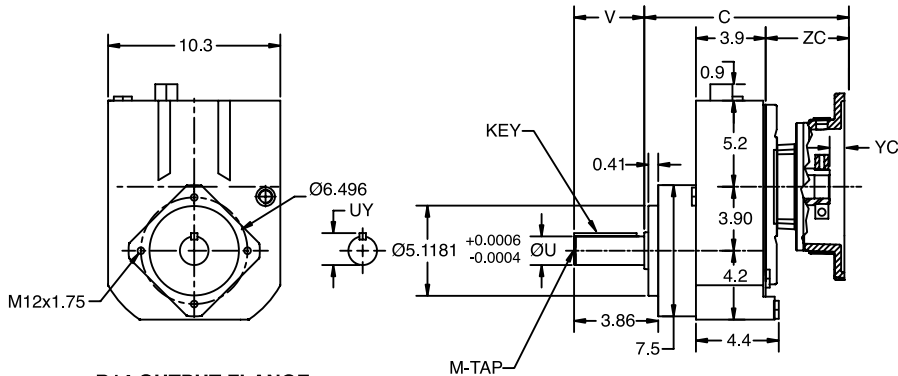
Refer to Engineering-2 for Input Shaft and Flange details

NOMENCLATURE PAGE ILH-4	MOUNTING POSITIONS PAGE ILH-7	STOCK/NON-STOCK PART NUMBERS PAGE ILH-67	WEIGHTS PAGE ILH-343
----------------------------	----------------------------------	---	-------------------------

IN-LINE HELICAL GEAR REDUCER (ILH)

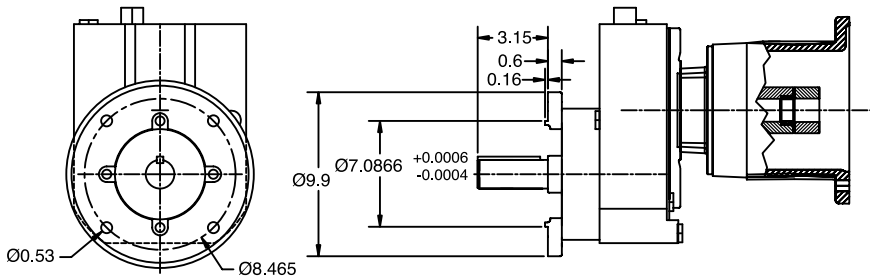
SIZE: HF88

IEC D Flange (B5 Input) - Flange Mounted (B5 / B14) - Clamp Collar - 3 Piece Coupled
Single Reduction



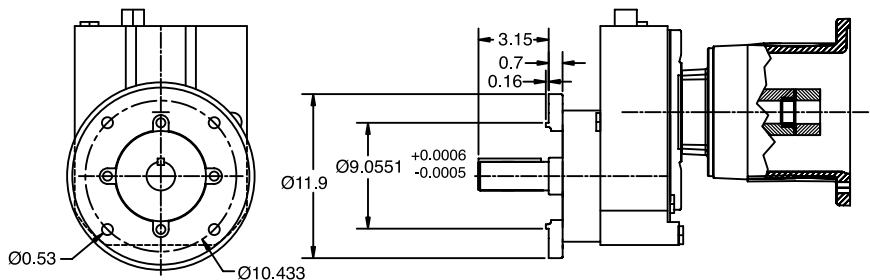
**B14 OUTPUT FLANGE -
Ø190mm**

CLAMP COLLAR



**B5 OUTPUT FLANGE -
Ø250mm**

THREE-PIECE COUPLED



**B5 OUTPUT FLANGE -
Ø300mm**

METRIC OUTPUT SHAFT



NOMENCLATURE PAGE ILH-4	MOUNTING POSITIONS PAGE ILH-7	STOCK/NON-STOCK PART NUMBERS PAGE ILH-67	WEIGHTS PAGE ILH-343
----------------------------	----------------------------------	---	-------------------------

DIMENSIONS



IN-LINE HELICAL GEAR REDUCER (ILH)

SIZE: HF88

IEC D Flange (B5 Input) - Flange Mounted (B5 / B14) - Clamp Collar - 3 Piece Coupled
Single Reduction

Standard Output Shaft

Dimension - Inch/MM

ØU	tol.	UY	V	VO	KEY	M-TAP x DEPTH
1.625	+0.000 -0.001	1.79	3.15	-	3/8 x 3/8 x 2.75	5/8 - 11 UNC
40	+0.018 +0.002	43	80	5	12 x 8 x 70	M16 x 36

IEC Motor Adapter - Clamp Collar

Dimension - Inch

	H88 Single		YC
	C	ZC	
90D	9.1	2.7	0.61
100D	9.3	2.9	0.28
112D	9.5	3.1	0.28
132D	11.1	4.7	0.87
160D	12.8	6.4	0.79

IEC Motor Adapter - 3 Piece Coupled

Dimension - Inch

	H88 Single		YC
	C	ZC	
90D	13.3	6.9	1.02
100D	14.1	7.7	1.18
112D	13.9	7.5	1.18
132D	16.4	10.0	1.77
160D	19.0	12.6	2.60

Refer to page Engineering-3 for Input Shaft and Flange details.

QUANTIS

QUANTIS GOLD

ILH

RHB

MSM

NOMENCLATURE PAGE ILH-4	MOUNTING POSITIONS PAGE ILH-7	STOCK/NON-STOCK PART NUMBERS PAGE ILH-67	WEIGHTS PAGE ILH-343
----------------------------	----------------------------------	---	-------------------------

DIMENSIONS



QUANTIS

QUANTIS GOLD

ILH

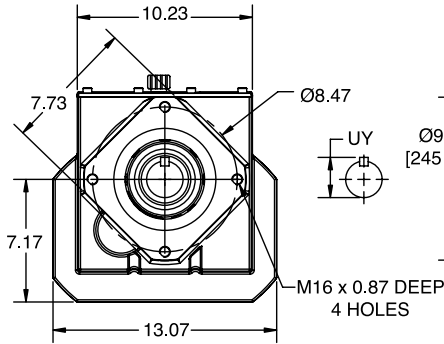
RHB

MSM

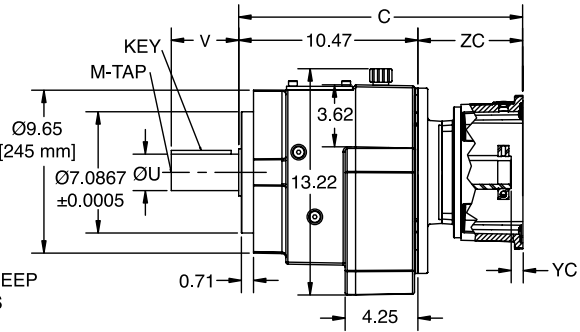
IN-LINE HELICAL GEAR REDUCER (ILH)

SIZE: HF88

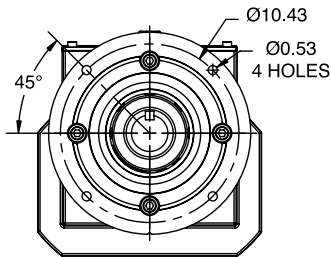
IEC C-Face - Flange Mounted (B5 / B14) - Clamp Collar - 3 Piece Coupled
Double/Triple Reduction



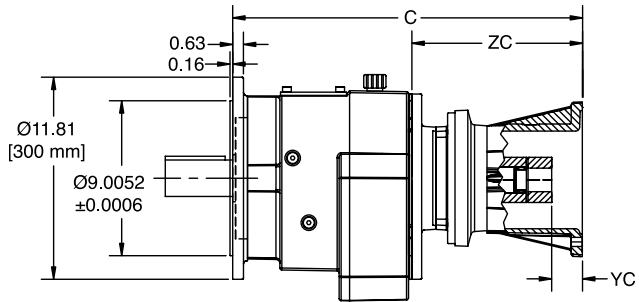
**B14 OUTPUT FLANGE -
Ø245mm**



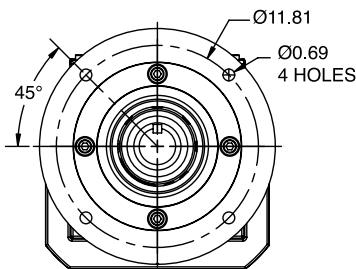
CLAMP COLLAR



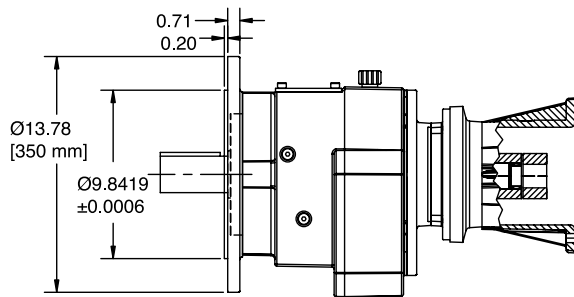
**B5 OUTPUT FLANGE -
Ø300mm**



THREE-PIECE COUPLED



**B5 OUTPUT FLANGE -
Ø350mm**



METRIC OUTPUT SHAFT

NOMENCLATURE
PAGE ILH-4

MOUNTING POSITIONS
PAGE ILH-7

STOCK/NON-STOCK PART NUMBERS
PAGE ILH-67

WEIGHTS
PAGE ILH-343

IN-LINE HELICAL GEAR REDUCER (ILH) IEC C-Face - Flange Mounted (B5 / B14) - Clamp Collar - 3 Piece Coupled Double/Triple Reduction

SIZE: HF88

Standard Output Shaft					Dimension - Inch/MM	
ØU	tol.	UY	V	VO	KEY	M-TAP x DEPTH
2.125	+0.0000 -0.0010	2.35	3.94	-	1/2 x 1/2 x 3-1/4	3/4 - 10 UNC x 1.65
50	+0.018 +0.002	54	100	10	14 x 9 x 80	M16 x 36

Optional Output Shaft					Dimension - Inch/MM	
ØU	tol.	UY	V	VO	KEY	M-TAP x DEPTH
2.375	+0.0000 -0.0010	2.65	4.72	-	5/8 x 5/8 x 3-15/16	3/4 - 10 UNC x 1.65
60	+0.030 +0.011	64	120	10	18 x 11 x 100	M20 x 42

	H88 Double		H88 Triple		YC
	C	ZC	C	ZC	
71D	-	-	13.17	2.70	0.16
80D	-	-	14.11	3.64	0.61
90D	13.13	2.66	14.11	3.64	0.61
100D	13.33	2.86	14.41	3.94	0.28
112D	13.54	3.07	14.69	4.22	0.28
132D	15.16	4.69	16.26	5.79	0.87
160D	16.85	6.38	-	-	0.79

	H88 Double		H88 Triple		YC
	C	ZC	C	ZC	
80D	-	-	18.35	7.88	0.59
90D	17.36	6.89	18.35	7.88	1.02
100D	18.15	7.68	19.23	8.76	1.18
112D	17.99	7.52	19.13	8.66	1.18
132D	20.41	9.94	21.52	11.05	1.77
160D	23.03	12.56	-	-	2.60

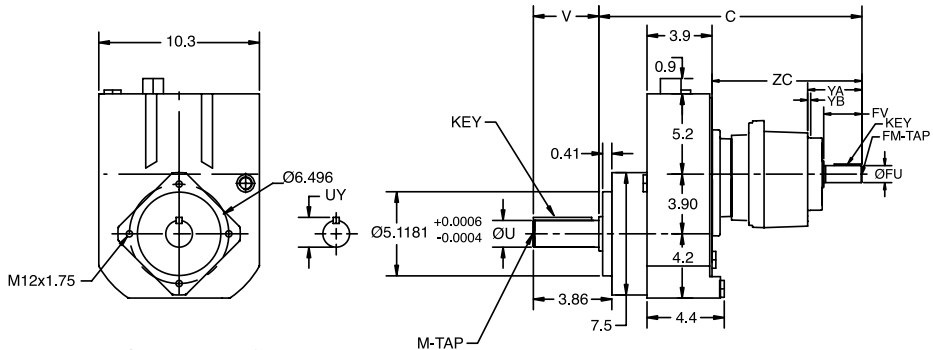
Refer to page Engineering-3 for Input Shaft and Flange details.

NOMENCLATURE PAGE ILH-4	MOUNTING POSITIONS PAGE ILH-7	STOCK/NON-STOCK PART NUMBERS PAGE ILH-67	WEIGHTS PAGE ILH-343
----------------------------	----------------------------------	---	-------------------------

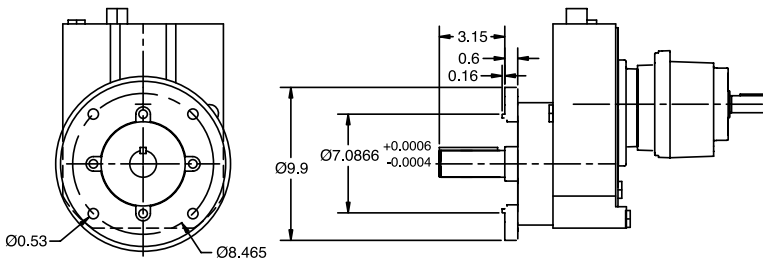
IN-LINE HELICAL GEAR REDUCER (ILH)

SIZE: HF88

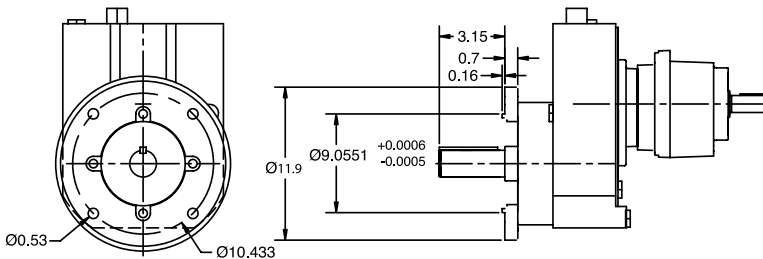
Separate - Flange Mounted (B5 / B14)
Single Reduction



B14 OUTPUT FLANGE -
Ø190mm

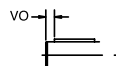


B5 OUTPUT FLANGE -
Ø250mm



B5 OUTPUT FLANGE -
Ø300mm

METRIC OUTPUT SHAFT



METRIC INPUT SHAFT



NOMENCLATURE
PAGE ILH-4

MOUNTING POSITIONS
PAGE ILH-7

STOCK/NON-STOCK PART NUMBERS
PAGE ILH-67

WEIGHTS
PAGE ILH-343

IN-LINE HELICAL GEAR REDUCER (ILH) Separate - Flange Mounted (B5 / B14) Single Reduction

SIZE: HF88

Standard Output Shaft

Dimension - Inch/MM

ØU	tol.	UY	V	VO	KEY	M-TAP x DEPTH
1.625	+0.000 -0.001	1.79	3.15	-	3/8 x 3/8 x 2.75	5/8 - 11 UNC
40	+0.018 +0.002	43	80	5	12 x 8 x 70	M16 x 36

Separate Input

Dimension - Inch/MM

	H88 Single		FO	FM x Depth	ØFU	tol.	FV	YA	YB	KEY
	C	ZC								
90	13.1	6.7	-	5/16-18 UNC x 0.75	0.875	+0.0000 -0.0005	1.97	2.8	0.16	3/16 x 3/16 x 1-5/8
	332	170	5	M8 x 19	24	+0.015 +0.002	50			8 x 7 x 40
100	13.6	7.2	-	3/8-16 UNC x 0.87	1.125	+0.0000 -0.0005	2.36	3.27	0.16	1/4 x 1/4 x 2
	345	183	5	M10 x 22	28	+0.015 +0.002	60			8 x 7 x 50
112	13.5	7.1	-	3/8-16 UNC x 0.87	1.250	+0.0000 -0.0005	2.36	3.27	0.16	1/4 x 1/4 x 2
	343	181	5	M10 x 22	28	+0.015 +0.002	60			8 x 7 x 50
132	16.9	10.5	-	3/8-16 UNC x 1.10	1.375	+0.0000 -0.0005	3.15	6.61	0.14	5/16 x 5/16 x 2-3/4
	428	266	5	M12 x 28	38	+0.018 +0.002	80			10 x 8 x 70
160	18.6	12.2	-	5/8-11 UNC x 1.42	1.625	+0.0000 -0.0010	4.33	8.46	0.14	3/8 x 3/8 x 3-1/2
	471	309	10	M16 x 36	42	+0.018 +0.002	110			12 x 8 x 90

Refer to page Engineering-4 for Input Shaft and Flange details.

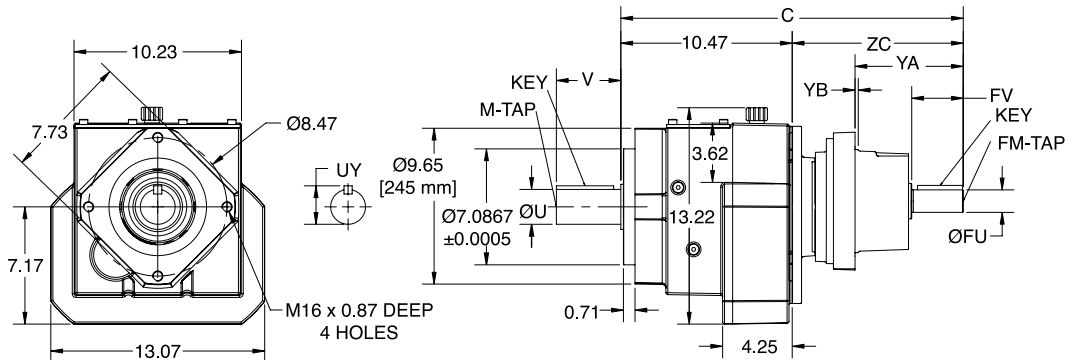
NOMENCLATURE PAGE ILH-4	MOUNTING POSITIONS PAGE ILH-7	STOCK/NON-STOCK PART NUMBERS PAGE ILH-67	WEIGHTS PAGE ILH-343
----------------------------	----------------------------------	---	-------------------------

IN-LINE HELICAL GEAR REDUCER (ILH)

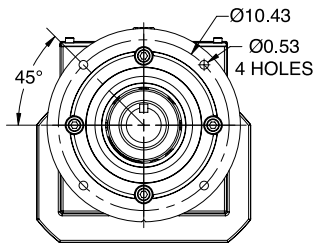
SIZE: HF88

Separate - Flange Mounted (B5 / B14)

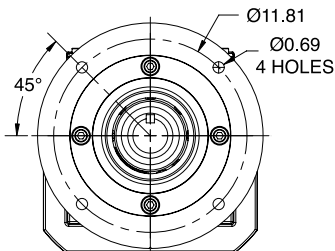
Double/Triple Reduction



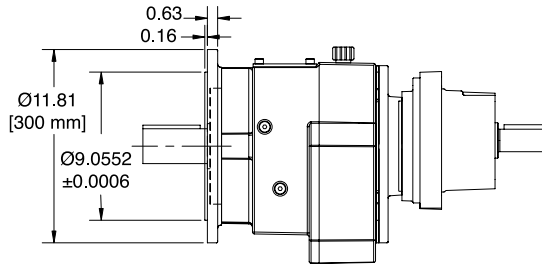
B14 OUTPUT FLANGE - Ø245mm



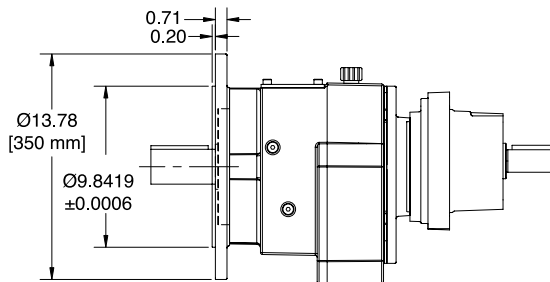
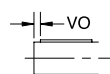
B5 OUTPUT FLANGE - Ø300mm



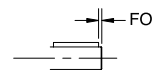
B5 OUTPUT FLANGE - Ø350mm



METRIC OUTPUT SHAFT



METRIC INPUT SHAFT



IN-LINE HELICAL GEAR REDUCER (ILH)

SIZE: HF88

Separate - Flange Mounted (B5 / B14)

Double/Triple Reduction

Standard Output Shaft

Dimension - Inch/MM

ØU	tol.	UY	V	VO	KEY	M-TAP x DEPTH
2.125	+0.0000 -0.0010	2.35	3.94	-	1/2 x 1/2 x 3-1/4	3/4 - 10 UNC x 1.65
50	+0.018 +0.002	54	100	10	14 x 9 x 80	M16 x 36

Optional Output Shaft

Dimension - Inch/MM

ØU	tol.	UY	V	VO	KEY	M-TAP x DEPTH
2.375	+0.0000 -0.0010	2.65	4.72	-	5/8 x 5/8 x 3-15/16	3/4 - 10 UNC x 1.65
60	+0.030 +0.011	64	120	10	18 x 11 x 100	M20 x 42

Separate Input

Dimension - Inch/MM

	H88 Double		H88 Triple		FO	FM x Depth	ØFU	tol.	FV	YA	YB	KEY
	C	ZC	C	ZC								
71	-	-	16.38	5.91	-	8-32 UNC x 0.49	0.625	+0.0000 -0.0005	1.57	2.40	0.16	3/16 x 3/16 x 1-5/16
	-	-	416	150	4	M5 x 12.5	16	+0.012 +0.001	40			5 x 5 x 32
80	-	-	17.76	7.29	-	1/4-20 UNC x 0.63	0.750	+0.0000 -0.0005	1.57	2.40	0.16	3/16 x 3/16 x 1-5/16
	-	-	451	185	4	M6 x 16	19	+0.015 +0.002	40			6 x 6 x 32
90	17.17	6.70	18.15	7.68	-	5/16-18 UNC x 0.75	0.875	+0.0000 -0.0005	1.97	2.80	0.16	3/16 x 3/16 x 1-5/8
	436	170	461	195	5	M8 x 19	24	+0.015 +0.002	50			8 x 7 x 40
100	17.68	7.21	18.78	8.31	-	3/8-16 UNC x 0.87	1.125	+0.0000 -0.0005	2.36	3.27	0.16	1/4 x 1/4 x 2
	449	183	477	211	5	M10 x 22	28	+0.015 +0.002	60			8 x 7 x 50
112	17.60	7.13	18.74	8.27	-	3/8-16 UNC x 0.87	1.250	+0.0000 -0.0005	2.36	3.27	0.16	1/4 x 1/4 x 2
	447	181	476	210	5	M10 x 22	28	+0.015 +0.002	60			8 x 7 x 50
132	20.94	10.47	22.05	11.58	-	3/8-16 UNC x 1.10	1.375	+0.0000 -0.0005	3.15	6.61	0.14	5/16 x 5/16 x 2-3/4
	532	266	560	294	5	M12 x 28	38	+0.018 +0.002	80			10 x 8 x 70
160	22.64	12.17	-	-	-	5/8 x UNC x 1.42	1.625	+0.0000 -0.0010	4.33	8.46	0.14	3/8 x 3/8 x 3-1/2
	575	309	-	-	10	M16 x 36	42	+0.018 +0.002	110			12 x 8 x 90

Refer to page Engineering-4 for Input Shaft and Flange details.

NOMENCLATURE PAGE ILH-4	MOUNTING POSITIONS PAGE ILH-7	STOCK/NON-STOCK PART NUMBERS PAGE ILH-67	WEIGHTS PAGE ILH-343
----------------------------	----------------------------------	---	-------------------------

DIMENSIONS



QUANTIS

QUANTIS GOLD

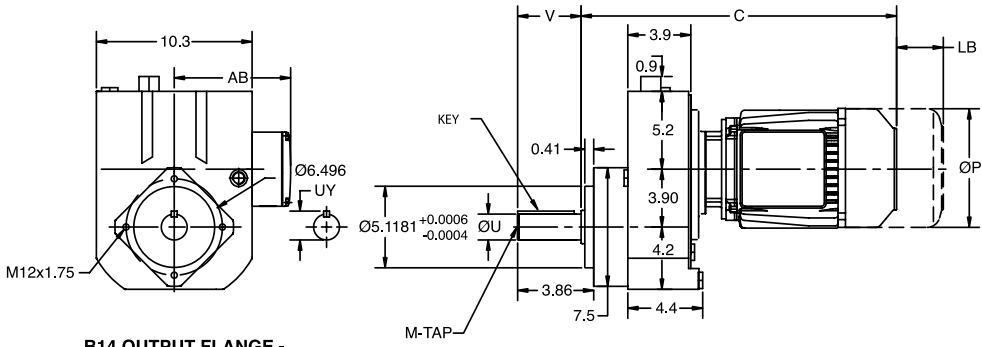
ILH

RHB

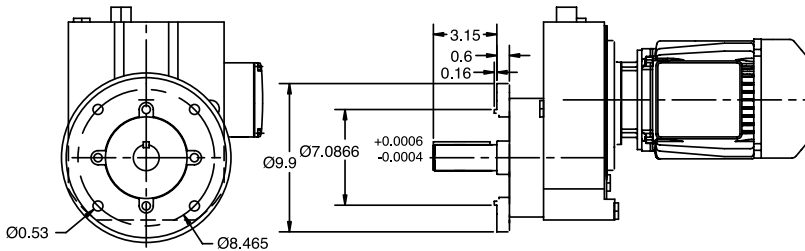
MSM

IN-LINE HELICAL GEAR REDUCER (ILH) Integral Gearmotor - Flange Mounted (B5 / B14) Single Reduction

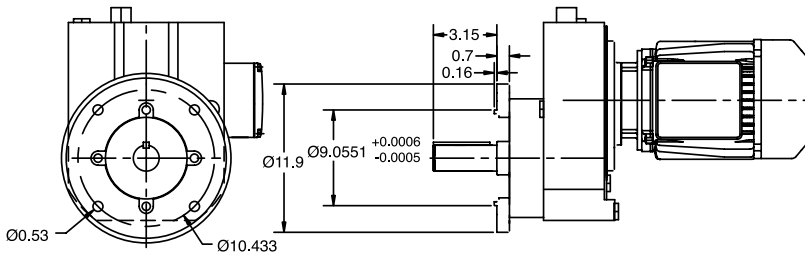
SIZE: HF88



**B14 OUTPUT FLANGE -
Ø190mm**

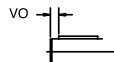


**B5 OUTPUT FLANGE -
Ø250mm**



**B5 OUTPUT FLANGE -
Ø300mm**

METRIC OUTPUT SHAFT



NOMENCLATURE PAGE ILH-4	MOUNTING POSITIONS PAGE ILH-7	STOCK/NON-STOCK PART NUMBERS PAGE ILH-67	WEIGHTS PAGE ILH-343
----------------------------	----------------------------------	---	-------------------------

DIMENSIONS



IN-LINE HELICAL GEAR REDUCER (ILH) Integral Gearmotor - Flange Mounted (B5 / B14) Single Reduction

SIZE: HF88

Standard Output Shaft			Dimension - Inch/MM			
ØU	tol.	UY	V	VO	KEY	M-TAP x DEPTH
1.625	+0.000 -0.001	1.79	3.15	-	3/8 x 3/8 x 2.75	5/8 - 11 UNC
40	+0.018 +0.002	43	80	5	12 x 8 x 70	M16 x 36

Frame	H88 Single		P	AB
	C	LB		
	90H4	17.53 446		
90I4	18.33 466	2.52 64	7.19 183	5.79 148
100J4	20.32 517	2.91 74	7.19 183	5.79 148
112L4	21.86 556	2.91 74	8.6 219	6.88 175
132M4	23.45 596	3.9 99	10.28 262	8.09 206
132N4	24.95 634	3.9 99	10.28 262	8.09 206

QUANTIS

QUANTIS GOLD

ILH

RHB

MSM

NOMENCLATURE PAGE ILH-4	MOUNTING POSITIONS PAGE ILH-7	STOCK/NON-STOCK PART NUMBERS PAGE ILH-67	WEIGHTS PAGE ILH-343
----------------------------	----------------------------------	---	-------------------------

DIMENSIONS



QUANTIS

QUANTIS GOLD

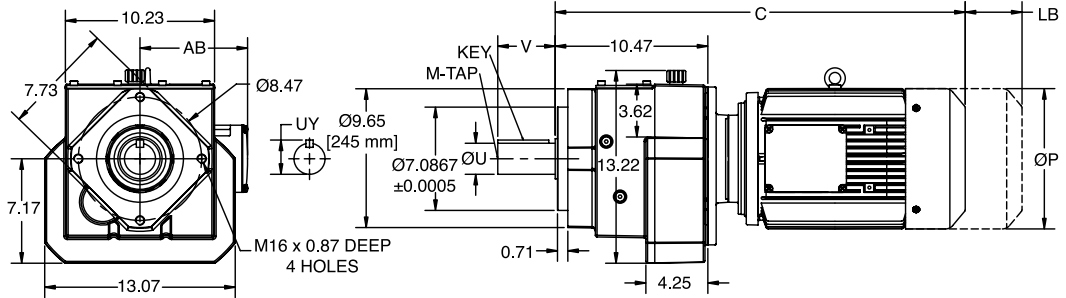
ILH

RHB

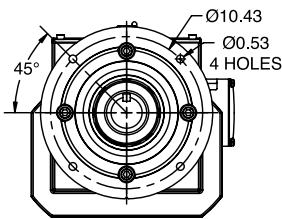
MSM

IN-LINE HELICAL GEAR REDUCER (ILH) Integral Gearmotor - Flange Mounted (B5 / B14) Double/Triple Reduction

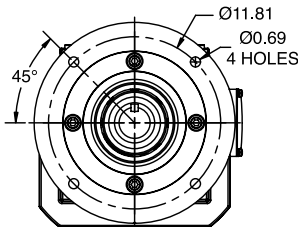
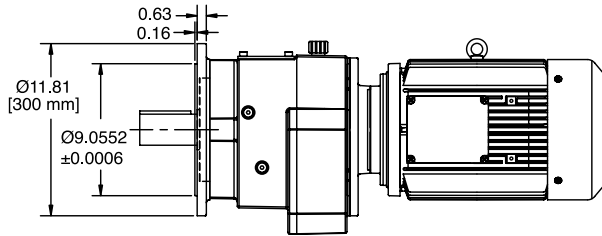
SIZE: HF88



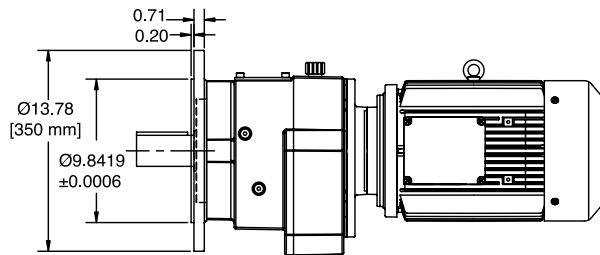
**B14 OUTPUT FLANGE -
245mm**



**B5 OUTPUT FLANGE -
300mm**



**B5 OUTPUT FLANGE -
350mm**



METRIC OUTPUT SHAFT



NOMENCLATURE
PAGE ILH-4

MOUNTING POSITIONS
PAGE ILH-7

STOCK/NON-STOCK PART NUMBERS
PAGE ILH-67

WEIGHTS
PAGE ILH-343

DIMENSIONS



IN-LINE HELICAL GEAR REDUCER (ILH) Integral Gearmotor - Flange Mounted (B5 / B14) Double/Triple Reduction

SIZE: HF88

Standard Output Shaft					Dimension - Inch/MM	
ØU	tol.	UY	V	VO	KEY	M-TAP x DEPTH
2.125	+0.0000 -0.0010	2.35	3.94	-	1/2 x 1/2 x 3-1/4	3/4 - 10 UNC x 1.65
50	+0.018 +0.002	54	100	10	14 x 9 x 80	M16 x 36

Optional Output Shaft					Dimension - Inch/MM	
ØU	tol.	UY	V	VO	KEY	M-TAP x DEPTH
2.375	+0.0000 -0.0010	2.65	4.72	-	5/8 x 5/8 x 3-15/16	3/4 - 10 UNC x 1.65
60	+0.030 +0.011	64	120	10	18 x 11 x 100	M20 x 42

Motor Frame	Dimension - Inch/MM					
	H88 Double		H88 Triple		P	AB
	C	LB	C	LB		
71C4 / 71D4 / 71E4	-	-	20.96	1.81	6.19	5.18
			533	46	158	132
80F4	-	-	21.1	2.56	6.19	5.12
			536	65	158	131
80G4	-	-	22.6	2.56	6.19	5.12
			575	65	158	131
90H4	21.54	2.52	22.53	2.52	7.19	5.79
	548	64	573	64	183	148
90I4	22.43	2.52	23.41	2.52	7.19	5.79
	570	64	595	64	183	148
100J4	24.32	2.91	25.41	2.91	7.19	5.79
	618	74	646	74	183	148
112L4	25.94	2.91	27.08	2.91	8.6	6.88
	659	74	688	74	219	175
132M4	27.5	3.9	28.6	3.9	10.28	8.09
	699	99	727	99	262	206
132N4	29	3.9	-	-	10.28	8.09
	737	99			262	206

NOMENCLATURE PAGE ILH-4	MOUNTING POSITIONS PAGE ILH-7	STOCK/NON-STOCK PART NUMBERS PAGE ILH-67	WEIGHTS PAGE ILH-343
----------------------------	----------------------------------	---	-------------------------

DIMENSIONS



QUANTIS

QUANTIS GOLD

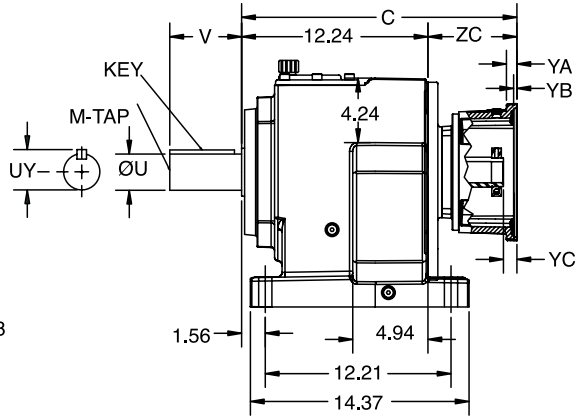
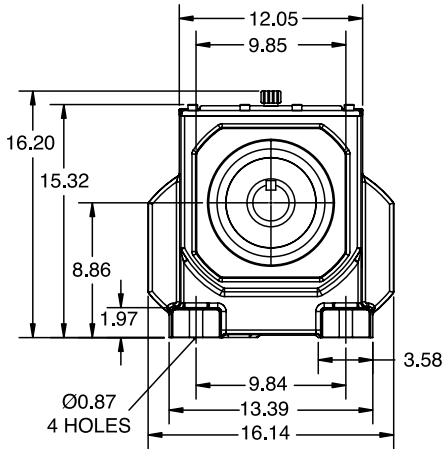
ILH

RHB

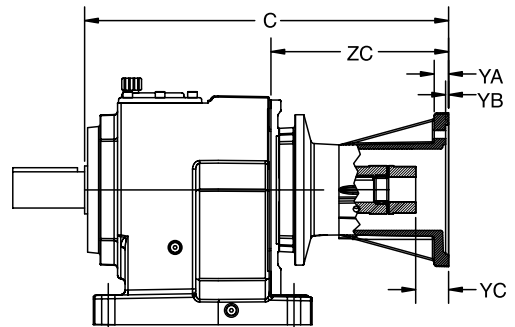
MSM

IN-LINE HELICAL GEAR REDUCER (ILH) NEMA C-Face - Foot Mounted - Clamp Collar / 3 Piece Coupled Double/Triple Reduction

SIZE: HB108

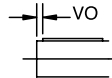


CLAMP COLLAR



THREE-PIECED COUPLED

METRIC OUTPUT SHAFT



NOMENCLATURE PAGE ILH-4	MOUNTING POSITIONS PAGE ILH-7	STOCK/NON-STOCK PART NUMBERS PAGE ILH-67	WEIGHTS PAGE ILH-343
----------------------------	----------------------------------	---	-------------------------

DIMENSIONS



IN-LINE HELICAL GEAR REDUCER (ILH) NEMA C-Face - Foot Mounted - Clamp Collar / 3 Piece Coupled Double/Triple Reduction

SIZE: HB108

Standard Output Shaft					Dimension - Inch/MM	
ØU	tol.	UY	V	VO	KEY	M-TAP x DEPTH
2.375	+0.0000 -0.0010	2.65	4.72	-	5/8 x 5/8 x 3-15/16	3/4-10 UNC x 1.65
60	+0.030 +0.011	64	120	10	18 x 11 x 100	M20 x 42

Optional Output Shaft					Dimension - Inch/MM	
ØU	tol.	UY	V	VO	KEY	M-TAP x DEPTH
2.875	+0.0000 -0.0010	3.20	5.51	-	3/4 x 3/4 x 4-1/2	3/4 - 10 UNC x 1.65
70	+0.030 +0.011	75	140	15	20 x 12 x 110	M20 x 42

NEMA Motor Adapter - Clamp Collar					Dimension - Inch		
	H108 Double		H108 Triple		YA	YB	YC
	C	ZC	C	ZC			
140TC	-	-	16.08	3.84	0.47	0.20	0.67
180TC	-	-	17.48	5.24	0.73	0.22	0.91
210TC	18.14	5.90	19.42	7.18	0.69	0.22	0.89
250TC	18.12	5.88	19.28	7.04	0.95	0.20	1.13
280TC	18.86	6.62	-	-	0.95	0.20	1.30

NEMA Motor Adapter - 3 Piece Coupled					Dimension - Inch		
	H108 Double		H108 Triple		YA	YB	YC
	C	ZC	C	ZC			
140TC	-	-	19.96	7.72	0.55	0.20	1.10
180TC	-	-	21.06	8.82	0.73	0.22	1.65
210TC	21.93	9.69	23.21	10.97	0.87	0.22	2.01
250TC	23.92	11.68	25.08	12.84	0.95	0.20	2.17
280TC	26.61	14.37	-	-	0.95	0.20	2.57

Refer to page Engineering-2 for Input Shaft and Flange details

NOMENCLATURE PAGE ILH-4	MOUNTING POSITIONS PAGE ILH-7	STOCK/NON-STOCK PART NUMBERS PAGE ILH-67	WEIGHTS PAGE ILH-343
----------------------------	----------------------------------	---	-------------------------

DIMENSIONS



QUANTIS

QUANTIS GOLD

ILH

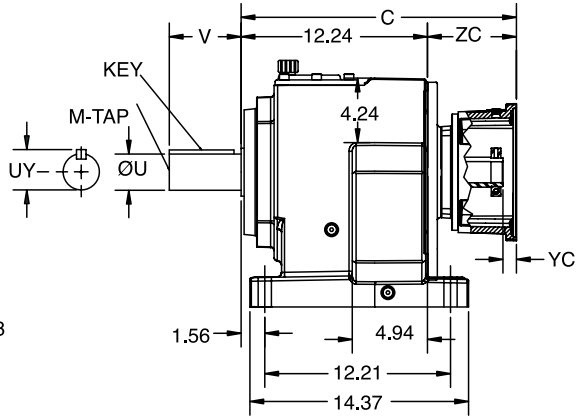
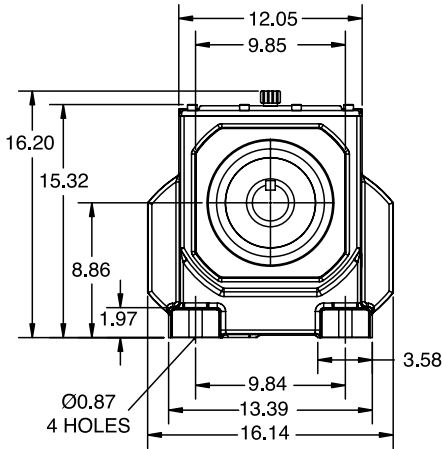
RHB

MSM

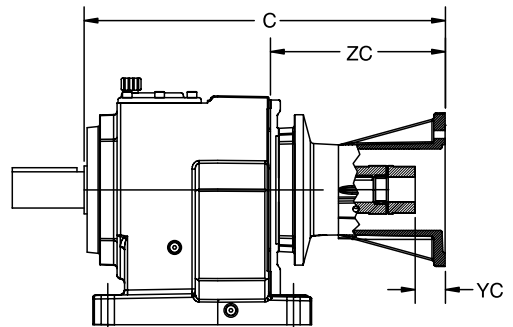
IN-LINE HELICAL GEAR REDUCER (ILH)

SIZE: HB108

IEC D Flange (B5 Input) - Foot Mounted - Clamp Collar / 3 Piece Coupled
Double/Triple Reduction

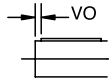


CLAMP COLLAR



THREE-PIECED COUPLED

METRIC OUTPUT SHAFT



NOMENCLATURE
PAGE ILH-4

MOUNTING POSITIONS
PAGE ILH-7

STOCK/NON-STOCK PART NUMBERS
PAGE ILH-67

WEIGHTS
PAGE ILH-343

DIMENSIONS



IN-LINE HELICAL GEAR REDUCER (ILH)

SIZE: HB108

IEC D Flange (B5 Input) - Foot Mounted - Clamp Collar / 3 Piece Coupled
Double/Triple Reduction

Standard Output Shaft					Dimension - Inch/MM	
ØU	tol.	UY	V	VO	KEY	M-TAP x DEPTH
2.375	+0.0000 -0.0010	2.65	4.72	-	5/8 x 5/8 x 3-15/16	3/4-10 UNC x 1.65
60	+0.030 +0.011	64	120	10	18 x 11 x 100	M20 x 42

Optional Output Shaft					Dimension - Inch/MM	
ØU	tol.	UY	V	VO	KEY	M-TAP x DEPTH
2.875	+0.0000 -0.0010	3.20	5.51	-	3/4 x 3/4 x 4-1/2	3/4 - 10 UNC x 1.65
70	+0.030 +0.011	75	140	15	20 x 12 x 110	M20 x 42

	IEC Motor Adapter - Clamp Collar				YC
	H108 Double		H108 Triple		
	C	ZC	C	ZC	
80D	-	-	15.65	3.41	0.61
90D	-	-	15.65	3.41	0.61
100D	-	-	15.94	3.70	0.28
112D	14.86	2.62	16.10	3.86	0.28
132D	16.44	4.20	17.72	5.48	0.87
160D	18.17	5.93	19.33	7.09	0.79
180D	18.70	6.46	-	-	0.85
200D	19.09	6.85	-	-	1.18

	IEC Motor Adapter - 3 Piece Coupled				YC
	H108 Double		H108 Triple		
	C	ZC	C	ZC	
80D	-	-	19.88	7.64	0.59
90D	-	-	19.88	7.64	1.02
100D	-	-	20.77	8.53	1.18
112D	19.31	7.07	20.55	8.31	1.18
132D	21.69	9.45	22.97	10.73	1.77
160D	24.35	12.11	25.51	13.27	2.60
180D	26.34	14.10	-	-	2.32
200D	26.38	14.14	-	-	2.36

Refer to page Engineering-3 for Input Shaft and Flange details

NOMENCLATURE PAGE ILH-4	MOUNTING POSITIONS PAGE ILH-7	STOCK/NON-STOCK PART NUMBERS PAGE ILH-67	WEIGHTS PAGE ILH-343
----------------------------	----------------------------------	---	-------------------------

DIMENSIONS



QUANTIS

QUANTIS GOLD

ILH

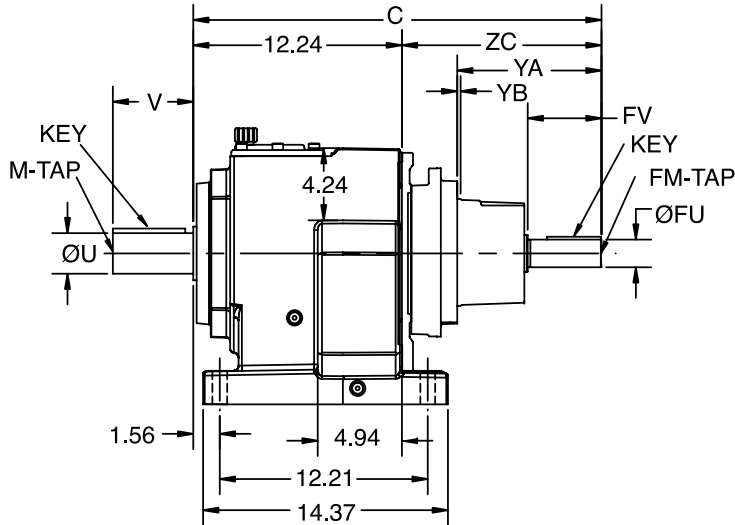
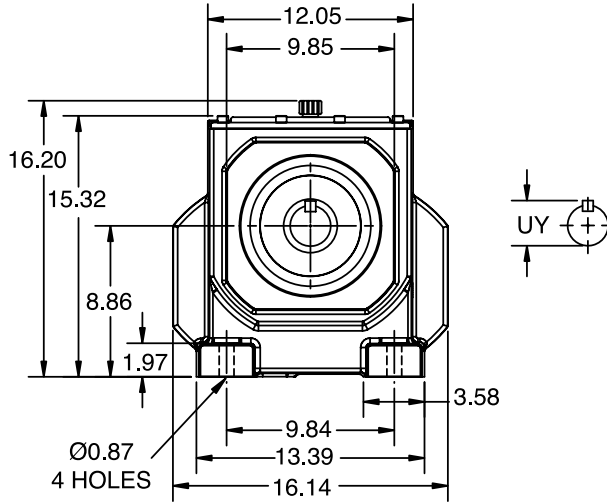
RHB

MSM

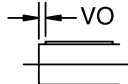
IN-LINE HELICAL GEAR REDUCER (ILH)

SIZE: HB108

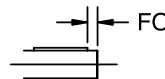
Separate - Foot Mounted
Double/Triple Reduction



METRIC OUTPUT SHAFT



METRIC INPUT SHAFT



NOMENCLATURE
PAGE ILH-4

MOUNTING POSITIONS
PAGE ILH-7

STOCK/NON-STOCK PART NUMBERS
PAGE ILH-67

WEIGHTS
PAGE ILH-343

IN-LINE HELICAL GEAR REDUCER (ILH)

SIZE: HB108

Separate - Foot Mounted
Double/Triple Reduction

Standard Output Shaft

						Dimension - Inch/MM	
ØU	tol.	UY	V	VO	KEY	M-TAP x DEPTH	
2.375	+0.0000 -0.0010	2.65	4.72	-	5/8 x 5/8 x 3-15/16	3/4-10 UNC x 1.65	
60	+0.030 +0.011	64	120	10	18 x 11 x 100	M20 x 42	

Optional Output Shaft

						Dimension - Inch/MM	
ØU	tol.	UY	V	VO	KEY	M-TAP x DEPTH	
2.875	+0.0000 -0.0010	3.20	5.51	-	3/4 x 3/4 x 4-1/2	3/4 - 10 UNC x 1.65	
70	+0.030 +0.011	75	140	15	20 x 12 x 110	M20 x 42	

Separate Input

												Dimension - Inch/MM	
	H108 Double		H108 Triple		FO	FM x Depth	ØFU	tol.	FV	YA	YB	KEY	
	C	ZC	C	ZC									
80	-	-	19.29	7.05	-	1/4-20 UNC x 0.63	0.750	+0.0000 -0.0005	1.57	2.40	0.16	3/16 x 3/16 x 1-5/16	
	-	-	490	179	4	M6 x 16	19	+0.015 +0.002	40			6 x 6 x 32	
90	-	-	19.69	7.45	-	5/16-18 UNC x 0.75	0.875	+0.0000 -0.0005	1.97	2.80	0.16	3/16 x 3/16 x 1-5/8	
	-	-	500	189	5	M8 x 19	24	+0.015 +0.002	50			8 x 7 x 40	
100	-	-	20.31	8.07	-	3/8-16 UNC x 0.87	1.125	+0.0000 -0.0005	2.36	3.27	0.16	1/4 x 1/4 x 2	
	-	-	516	205	5	M10 x 22	28	+0.015 +0.002	60			8 x 7 x 50	
112	18.94	6.70	20.16	7.92	-	3/8-16 UNC x 0.87	1.250	+0.0000 -0.0005	2.36	3.27	0.16	1/4 x 1/4 x 2	
	481	170	512	201	5	M10 x 22	28	+0.015 +0.002	60			8 x 7 x 50	
132	22.20	9.96	23.50	11.26	-	3/8-16 UNC x 1.10	1.375	+0.0000 -0.0005	3.15	6.61	0.14	5/16 x 5/16 x 2-3/4	
	564	253	597	286	5	M12 x 28	38	+0.018 +0.002	80			10 x 8 x 70	
160	23.98	11.74	25.12	12.88	-	5/8-11 UNC x 1.42	1.625	+0.0000 -0.0010	4.33	8.46	0.14	3/8 x 3/8 x 3-1/2	
	609	298	638	327	10	M16 x 36	42	+0.018 +0.002	110			12 x 8 x 90	
180	24.76	12.52	-	-	-	3/4-10 UNC x 1.65	2.125	+0.0000 -0.0010	4.33	9.25	0.16	1/2 x 1/2 x 3-5/8	
	629	318	-	-	10	M20 x 42	55	+0.030 +0.011	110			16 x 10 x 90	

Refer to page Engineering-4 for Input Shaft and Flange details.

NOMENCLATURE PAGE ILH-4	MOUNTING POSITIONS PAGE ILH-7	STOCK/NON-STOCK PART NUMBERS PAGE ILH-67	WEIGHTS PAGE ILH-343
----------------------------	----------------------------------	---	-------------------------

DIMENSIONS

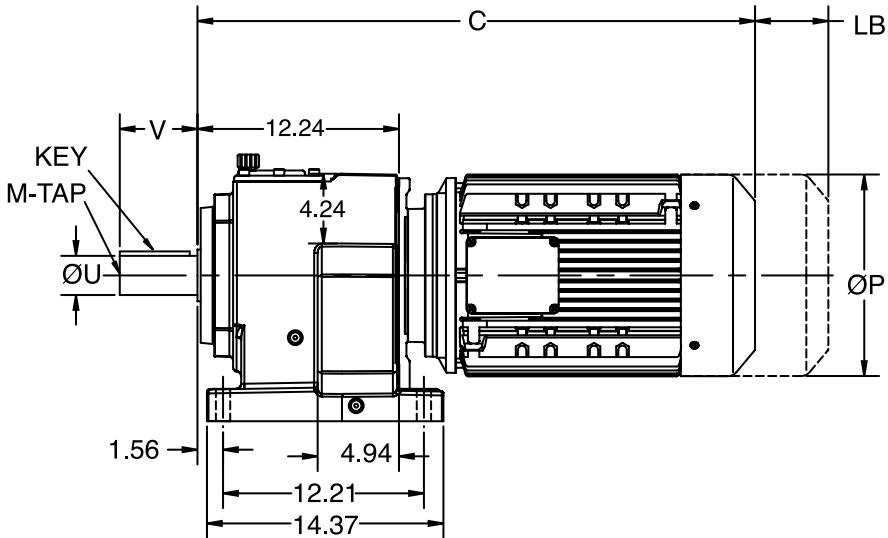
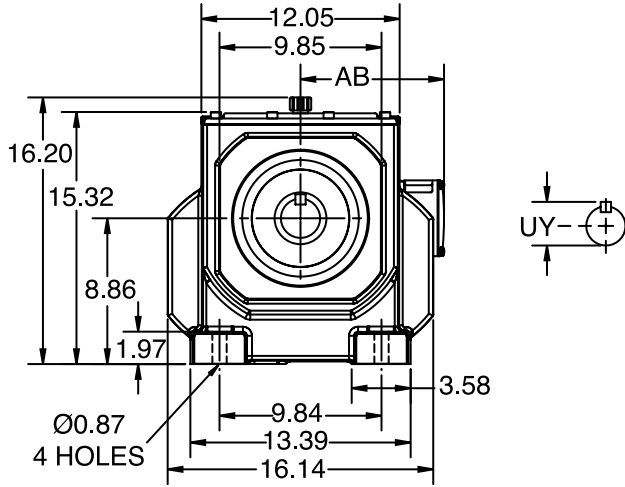


IN-LINE HELICAL GEAR REDUCER (ILH)

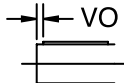
SIZE: HB108

Integral Gearmotor - Foot Mounted

Double/Triple Reduction



METRIC OUTPUT SHAFT



NOMENCLATURE
PAGE ILH-4

MOUNTING POSITIONS
PAGE ILH-7

STOCK/NON-STOCK PART NUMBERS
PAGE ILH-67

WEIGHTS
PAGE ILH-343

DIMENSIONS



IN-LINE HELICAL GEAR REDUCER (ILH)

SIZE: HB108

Integral Gearmotor - Foot Mounted
Double/Triple Reduction

Standard Output Shaft					Dimension - Inch/MM	
ØU	tol.	UY	V	VO	KEY	M-TAP x DEPTH
2.375	+0.0000 -0.0010	2.65	4.72	-	5/8 x 5/8 x 3-15/16	3/4-10 UNC x 1.65
60	+0.030 +0.011	64	120	10	18 x 11 x 100	M20 x 42

Optional Output Shaft					Dimension - Inch/MM	
ØU	tol.	UY	V	VO	KEY	M-TAP x DEPTH
2.875	+0.0000 -0.0010	3.20	5.51	-	3/4 x 3/4 x 4-1/2	3/4 - 10 UNC x 1.65
70	+0.030 +0.011	75	140	15	20 x 12 x 110	M20 x 42

Motor Frame	H108 Double		H108 Triple		Dimension - Inch/MM	
	C	LB	C	LB	P	AB
80F4	-	-	22.64	2.56	6.19	5.12
			576	65	158	131
80G4	-	-	24.14	2.56	6.19	5.12
			614	65	158	131
90H4	-	-	24.06	2.52	7.19	5.79
			612	64	183	148
90I4	-	-	24.95	2.52	7.19	5.79
			634	64	183	148
100J4	-	-	26.95	2.91	7.19	5.79
			685	74	183	148
112L4	27.26	2.91	28.5	2.91	8.6	6.88
	693	74	724	74	219	175
132M4	28.78	3.9	30.06	3.9	10.28	8.09
	732	99	764	99	262	206
132N4	30.28	3.9	31.56	3.9	10.28	8.09
	770	99	802	99	262	206

NOMENCLATURE PAGE ILH-4	MOUNTING POSITIONS PAGE ILH-7	STOCK/NON-STOCK PART NUMBERS PAGE ILH-67	WEIGHTS PAGE ILH-343
----------------------------	----------------------------------	---	-------------------------

DIMENSIONS



QUANTIS

QUANTIS GOLD

ILH

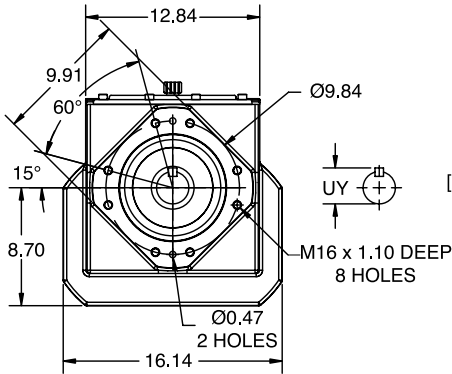
RHB

MSM

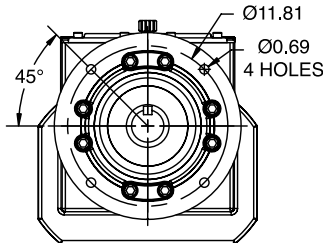
IN-LINE HELICAL GEAR REDUCER (ILH)

SIZE: HF108

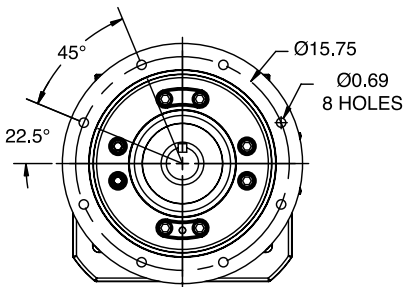
NEMA C-Face - Flange Mounted (B5 / B14) - Clamp Collar / 3 Piece Coupled
Double/Triple Reduction



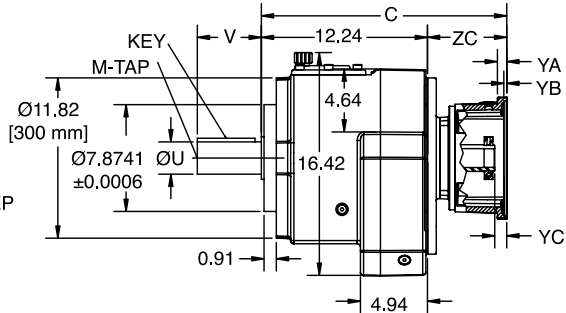
**B14 OUTPUT FLANGE -
Ø300mm**



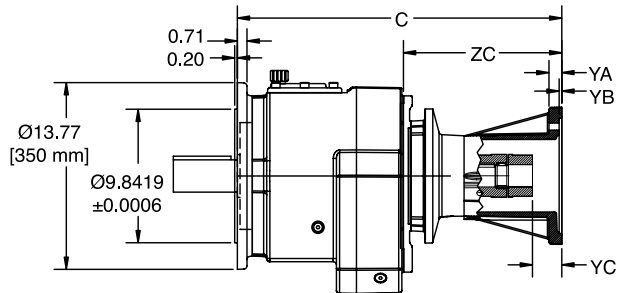
**B5 OUTPUT FLANGE -
Ø350mm**



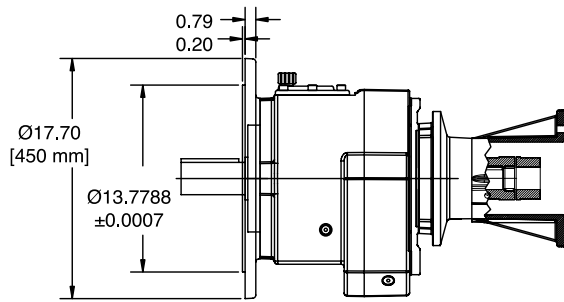
**B5 OUTPUT FLANGE -
Ø450mm**



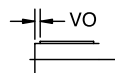
CLAMP COLLAR



THREE-PIECE COUPLED



METRIC OUTPUT SHAFT



NOMENCLATURE PAGE ILH-4	MOUNTING POSITIONS PAGE ILH-7	STOCK/NON-STOCK PART NUMBERS PAGE ILH-67	WEIGHTS PAGE ILH-343
----------------------------	----------------------------------	---	-------------------------

IN-LINE HELICAL GEAR REDUCER (ILH) NEMA C-Face - Flange Mounted (B5 / B14) - Clamp Collar / 3 Piece Coupled Double/Triple Reduction

SIZE: HF108

Standard Output Shaft

Dimension - Inch/MM

ØU	tol.	UY	V	VO	KEY	M-TAP x DEPTH
2.375	+0.0000 -0.0010	2.65	4.72	-	5/8 x 5/8 x 3-15/16	3/4-10 UNC x 1.65
60	+0.030 +0.011	64	120	10	18 x 11 x 100	M20 x 42

Optional Output Shaft

Dimension - Inch/MM

ØU	tol.	UY	V	VO	KEY	M-TAP x DEPTH
2.875	+0.0000 -0.0010	3.20	5.51	-	3/4 x 3/4 x 4-1/2	3/4 - 10 UNC x 1.65
70	+0.030 +0.011	75	140	15	20 x 12 x 110	M20 x 42

NEMA Motor Adapter - Clamp Collar

Dimension - Inch

	H108 Double		H108 Triple		YA	YB	YC
	C	ZC	C	ZC			
140TC	-	-	16.08	3.84	0.47	0.20	0.67
180TC	-	-	17.48	5.24	0.69	0.22	0.93
210TC	18.14	5.90	19.42	7.18	0.69	0.22	0.89
250TC	18.12	5.88	19.28	7.04	0.94	0.20	1.13
280TC	18.86	6.62	-	-	0.94	0.20	1.30

NEMA Motor Adapter - 3 Piece Coupled

Dimension - Inch

	H108 Double		H108 Triple		YA	YB	YC
	C	ZC	C	ZC			
140TC	-	-	19.96	7.72	0.55	0.20	1.10
180TC	-	-	21.06	8.82	0.87	0.22	1.65
210TC	21.93	9.69	23.21	10.97	0.87	0.22	2.01
250TC	23.92	11.68	25.08	12.84	0.94	0.20	2.17
280TC	26.61	14.37	-	-	0.94	0.20	2.57

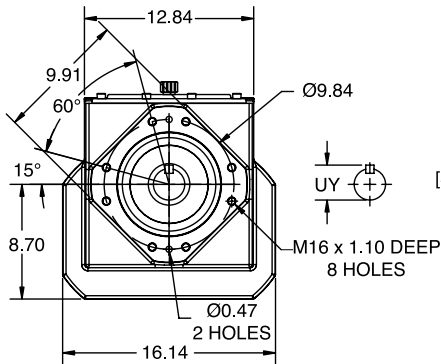
Refer to page Engineering-2 for Input Shaft and Flange details

NOMENCLATURE PAGE ILH-4	MOUNTING POSITIONS PAGE ILH-7	STOCK/NON-STOCK PART NUMBERS PAGE ILH-67	WEIGHTS PAGE ILH-343
----------------------------	----------------------------------	---	-------------------------

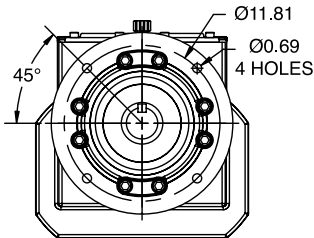
IN-LINE HELICAL GEAR REDUCER (ILH)

SIZE: HF108

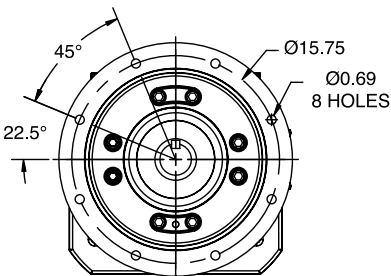
IEC D Flange (B5 Input) - Flange Mounted (B5 / B14) - Clamp Collar / 3 Piece Coupled
Double/Triple Reduction



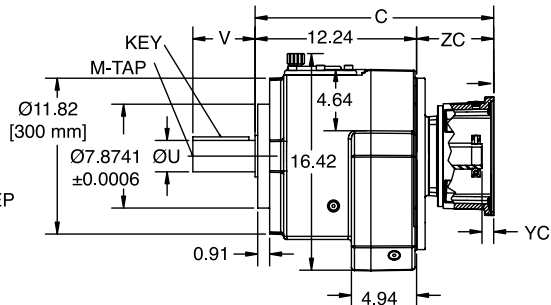
B14 OUTPUT FLANGE - Ø300mm



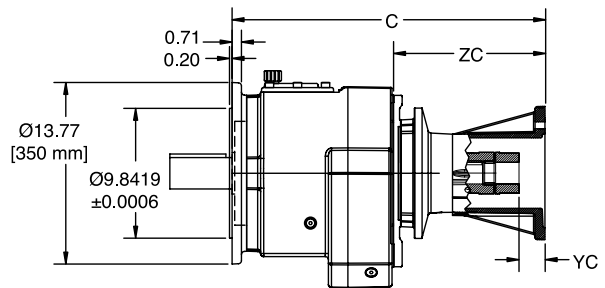
B5 OUTPUT FLANGE - Ø350mm



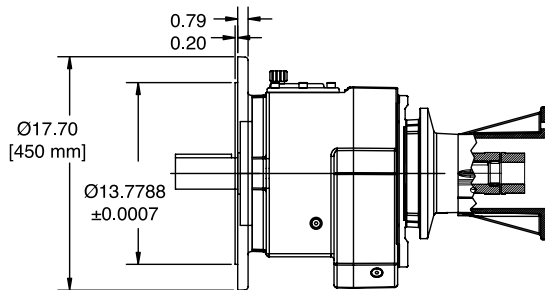
B5 OUTPUT FLANGE - Ø450mm



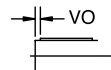
CLAMP COLLAR



THREE-PIECE COUPLED



METRIC OUTPUT SHAFT



NOMENCLATURE PAGE ILH-4	MOUNTING POSITIONS PAGE ILH-7	STOCK/NON-STOCK PART NUMBERS PAGE ILH-67	WEIGHTS PAGE ILH-343
----------------------------	----------------------------------	---	-------------------------

DIMENSIONS



IN-LINE HELICAL GEAR REDUCER (ILH)

SIZE: HF108

IEC D Flange (B5 Input) - Flange Mounted (B5 / B14) - Clamp Collar / 3 Piece Coupled
Double/Triple Reduction

Standard Output Shaft					Dimension - Inch/MM	
ØU	tol.	UY	V	VO	KEY	M-TAP x DEPTH
2.375	+0.0000 -0.0010	2.65	4.72	-	5/8 x 5/8 x 3-15/16	3/4-10 UNC x 1.65
60	+0.030 +0.011	64	120	10	18 x 11 x 100	M20 x 42

Optional Output Shaft					Dimension - Inch/MM	
ØU	tol.	UY	V	VO	KEY	M-TAP x DEPTH
2.875	+0.0000 -0.0010	3.20	5.51	-	3/4 x 3/4 x 4-1/2	3/4 - 10 UNC x 1.65
70	+0.030 +0.011	75	140	15	20 x 12 x 110	M20 x 42

	IEC Motor Adapter - Clamp Collar				Dimension - Inch
	H108 Double		H108 Triple		YC
	C	ZC	C	ZC	
80D	-	-	15.65	3.41	0.61
90D	-	-	15.65	3.41	0.61
100D	-	-	15.94	3.70	0.28
112D	14.86	2.62	16.10	3.86	0.28
132D	16.44	4.20	17.72	5.48	0.87
160D	18.17	5.93	19.33	7.09	0.79
180D	18.70	6.46	-	-	0.85
200D	19.09	6.85	-	-	1.18

	IEC Motor Adapter - 3 Piece Coupled				Dimension - Inch
	H108 Double		H108 Triple		YC
	C	ZC	C	ZC	
80D	-	-	19.88	7.64	0.59
90D	-	-	19.88	7.64	1.02
100D	-	-	20.77	8.53	1.18
112D	19.31	7.07	20.55	8.31	1.18
132D	21.69	9.45	22.97	10.73	1.77
160D	24.35	12.11	25.51	13.27	2.60
180D	26.34	14.10	-	-	2.32
200D	26.38	14.14	-	-	2.36

Refer to page Engineering-3 for Input Shaft and Flange details

NOMENCLATURE PAGE ILH-4	MOUNTING POSITIONS PAGE ILH-7	STOCK/NON-STOCK PART NUMBERS PAGE ILH-67	WEIGHTS PAGE ILH-343
----------------------------	----------------------------------	---	-------------------------

DIMENSIONS



QUANTIS

QUANTIS GOLD

ILH

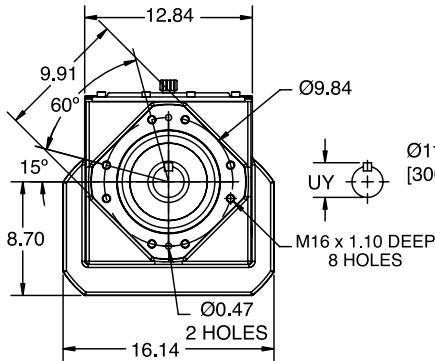
RHB

MSM

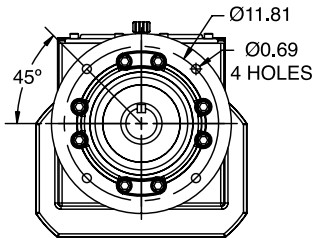
IN-LINE HELICAL GEAR REDUCER (ILH)

SIZE: HF108

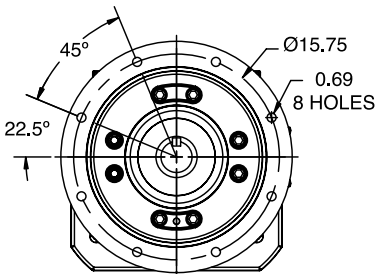
Separate - Flange Mounted (B5 / B14)
Double/Triple Reduction



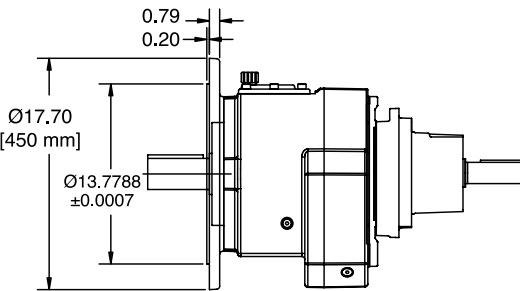
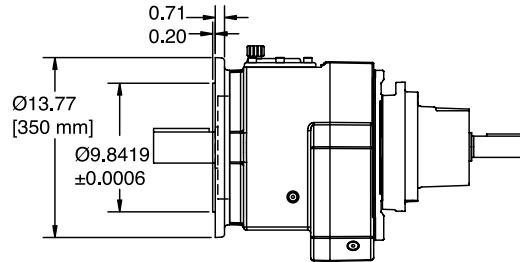
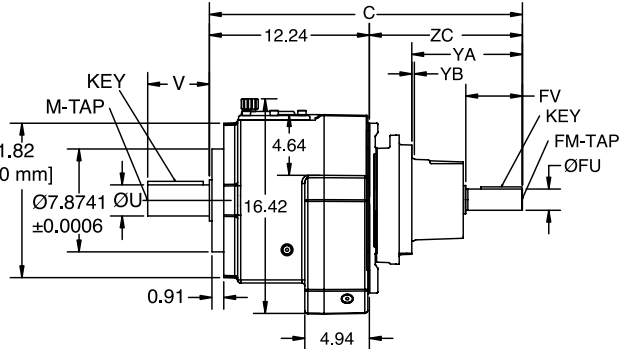
**B14 OUTPUT FLANGE -
Ø300MM**



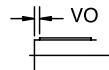
**B5 OUTPUT FLANGE -
Ø350mm**



**B5 OUTPUT FLANGE -
Ø450mm**



METRIC OUTPUT SHAFT



METRIC INPUT SHAFT



NOMENCLATURE
PAGE ILH-4

MOUNTING POSITIONS
PAGE ILH-7

STOCK/NON-STOCK PART NUMBERS
PAGE ILH-67

WEIGHTS
PAGE ILH-343

IN-LINE HELICAL GEAR REDUCER (ILH)

SIZE: HF108

Separate - Flange Mounted (B5 / B14)

Double/Triple Reduction

Standard Output Shaft

Dimension - Inch/MM

ØU	tol.	UY	V	VO	KEY	M-TAP x DEPTH
2.375	+0.0000 -0.0010	2.65	4.72	-	5/8 x 5/8 x 3-15/16	3/4-10 UNC x 1.65
60	+0.030 +0.011	64	120	10	18 x 11 x 100	M20 x 42

Optional Output Shaft

Dimension - Inch/MM

ØU	tol.	UY	V	VO	KEY	M-TAP x DEPTH
2.875	+0.0000 -0.0010	3.20	5.51	-	3/4 x 3/4 x 4-1/2	3/4 - 10 UNC x 1.65
70	+0.030 +0.011	75	140	15	20 x 12 x 110	M20 x 42

Separate Input

Dimension - Inch/MM

	H108 Double		H108 Triple		FO	FM x Depth	ØFU	tol.	FV	YA	YB	KEY
	C	ZC	C	ZC								
80	-	-	19.29	7.05	-	1/4-20 UNC x 0.63	0.750	+0.0000 -0.0005	1.57	2.40	0.16	3/16 x 3/16 x 1-5/16
	-	-	490	179	4	M6 x 16	19	+0.015 +0.002	40			6 x 6 x 32
90	-	-	19.69	7.45	-	5/16-18 UNC x 0.75	0.875	+0.0000 -0.0005	1.97	2.80	0.16	3/16 x 3/16 x 1-5/8
	-	-	500	189	5	M8 x 19	24	+0.015 +0.002	40			8 x 7 x 40
100	-	-	20.31	8.07	-	3/8-16 UNC x 0.87	1.125	+0.0000 -0.0005	2.36	3.27	0.16	1/4 x 1/4 x 2
	-	-	516	205	5	M10 x 22	28	+0.015 +0.002	60			8 x 7 x 50
112	18.94	6.70	20.16	7.92	-	3/8-16 UNC x 0.87	1.250	+0.0000 -0.0005	2.36	3.27	0.16	1/4 x 1/4 x 2
	481	170	512	201	5	M10 x 22	28	+0.015 +0.002	60			8 x 7 x 50
132	22.20	9.96	23.50	11.26	-	3/8-16 UNC x 1.10	1.375	+0.0000 -0.0005	3.15	6.61	0.14	5/16 x 5/16 x 2-3/4
	564	253	597	286	5	M12 x 28	38	+0.018 +0.002	80			10 x 8 x 70
160	23.98	11.74	25.12	12.88	-	5/8-11 UNC x 1.42	1.625	+0.0000 -0.0010	4.33	8.46	0.14	3/8 x 3/8 x 3-1/2
	609	298	638	327	10	M16 x 36	42	+0.018 +0.002	110			12 x 8 x 90
180	24.76	12.52	-	-	-	3/4-10 UNC x 1.65	2.125	+0.0000 -0.0010	4.33	9.25	0.16	1/2 x 1/2 x 3-5/8
	629	318	-	-	10	M20 x 42	55	+0.030 +0.011	110			16 x 10 x 90

Refer to page Engineering-4 for Input Shaft and Flange details.

NOMENCLATURE PAGE ILH-4	MOUNTING POSITIONS PAGE ILH-7	STOCK/NON-STOCK PART NUMBERS PAGE ILH-67	WEIGHTS PAGE ILH-343
----------------------------	----------------------------------	---	-------------------------

DIMENSIONS



IN-LINE HELICAL GEAR REDUCER (ILH) Integral Gearmotor - Flange Mounted (B5 / B14) Double/Triple Reduction

SIZE: HF108

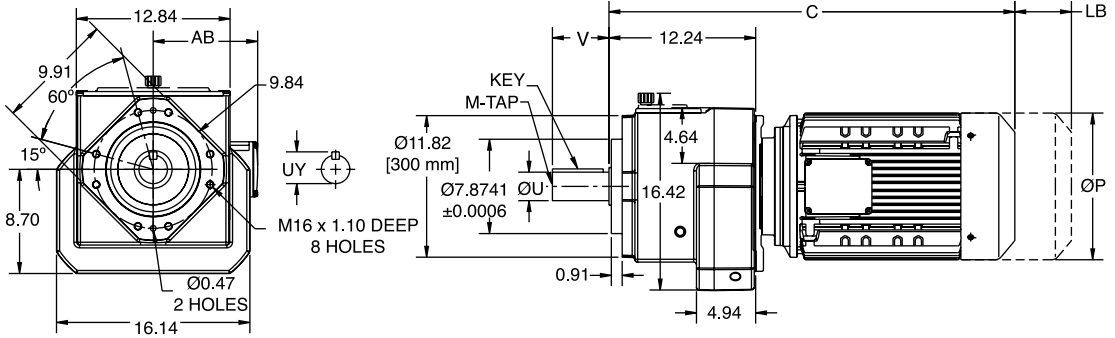
QUANTIS

QUANTIS GOLD

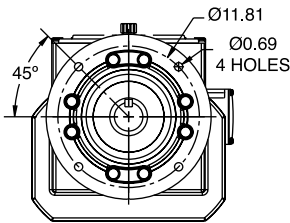
ILH

RHB

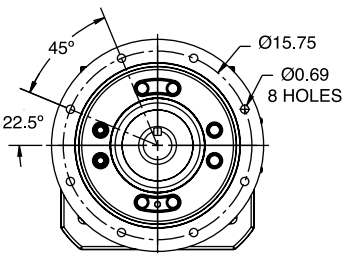
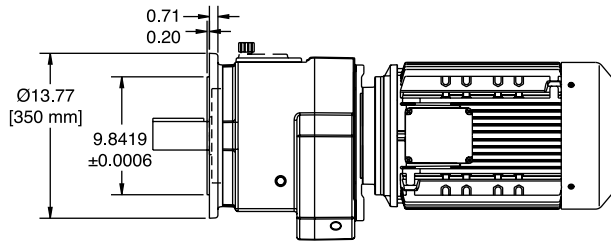
MSM



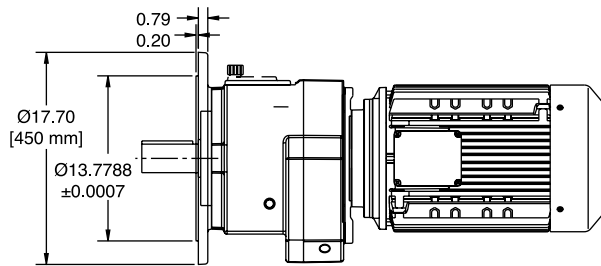
**B14 OUTPUT FLANGE -
Ø300mm**



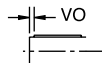
**B5 OUTPUT FLANGE -
Ø350mm**



**B5 OUTPUT FLANGE -
Ø450mm**



METRIC OUTPUT SHAFT



NOMENCLATURE
PAGE ILH-4

MOUNTING POSITIONS
PAGE ILH-7

STOCK/NON-STOCK PART NUMBERS
PAGE ILH-67

WEIGHTS
PAGE ILH-343

DIMENSIONS



IN-LINE HELICAL GEAR REDUCER (ILH) Integral Gearmotor - Flange Mounted (B5 / B14) Double/Triple Reduction

SIZE: HF108

Standard Output Shaft					Dimension - Inch/MM	
ØU	tol.	UY	V	VO	KEY	M-TAP x DEPTH
2.375	+0.0000 -0.0010	2.65	4.72	-	5/8 x 5/8 x 3-15/16	3/4-10 UNC x 1.65
60	+0.030 +0.011	64	120	10	18 x 11 x 100	M20 x 42

Optional Output Shaft					Dimension - Inch/MM	
ØU	tol.	UY	V	VO	KEY	M-TAP x DEPTH
2.875	+0.0000 -0.0010	3.20	5.51	-	3/4 x 3/4 x 4-1/2	3/4 - 10 UNC x 1.65
70	+0.030 +0.011	75	140	15	20 x 12 x 110	M20 x 42

Motor Frame	H108 Double		H108 Triple		P	AB
	C	LB	C	LB		
80F4	-	-	22.64	2.56	6.19	5.12
			576	65	158	131
80G4	-	-	24.14	2.56	6.19	5.12
			614	65	158	131
90H4	-	-	24.06	2.52	7.19	5.79
			612	64	183	148
90I4	-	-	24.95	2.52	7.19	5.79
			634	64	183	148
100J4	-	-	26.95	2.91	7.19	5.79
			685	74	183	148
112L4	27.26	2.91	28.5	2.91	8.6	6.88
	693	74	724	74	219	175
132M4	28.78	3.9	30.06	3.9	10.28	8.09
	732	99	764	99	262	206
132N4	30.28	3.9	31.56	3.9	10.28	8.09
	770	99	802	99	262	206

NOMENCLATURE PAGE ILH-4	MOUNTING POSITIONS PAGE ILH-7	STOCK/NON-STOCK PART NUMBERS PAGE ILH-67	WEIGHTS PAGE ILH-343
----------------------------	----------------------------------	---	-------------------------

DIMENSIONS



QUANTIS

QUANTIS GOLD

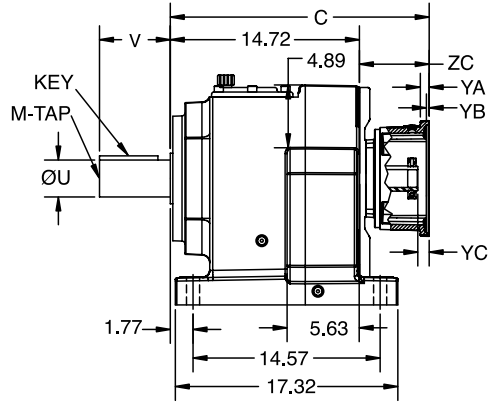
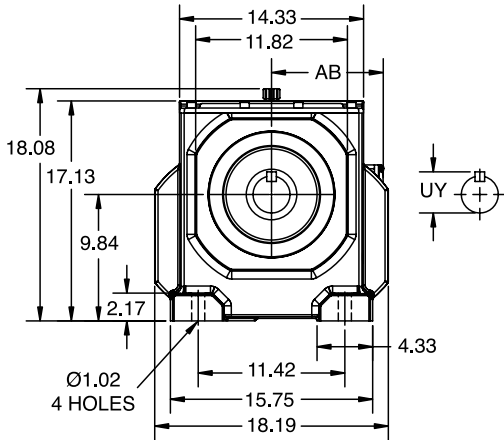
ILH

RHB

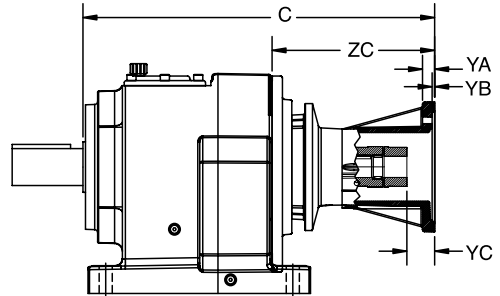
MSM

IN-LINE HELICAL GEAR REDUCER (ILH) NEMA C-Face - Foot Mounted - Clamp Collar / 3 Piece Coupled Double/Triple Reduction

SIZE: HB128

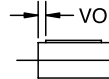


CLAMP COLLAR



THREE-PIECE COUPLED

METRIC OUTPUT SHAFT



NOMENCLATURE
PAGE ILH-4

MOUNTING POSITIONS
PAGE ILH-7

STOCK/NON-STOCK PART NUMBERS
PAGE ILH-67

WEIGHTS
PAGE ILH-343

DIMENSIONS



IN-LINE HELICAL GEAR REDUCER (ILH) NEMA C-Face - Foot Mounted - Clamp Collar / 3 Piece Coupled Double/Triple Reduction

SIZE: HB128

Standard Output Shaft						Dimension - Inch/MM
ØU	tol.	UY	V	VO	KEY	M-TAP x DEPTH
2.875	+0.0000 -0.0010	3.20	5.51	-	3/4 x 3/4 x 4-1/2	3/4 - 10 UNC x 1.65
70	+0.030 +0.011	75	140	15	20 x 12 x 110	M20 x 42

Optional Output Shaft						Dimension - Inch/MM
ØU	tol.	UY	V	VO	KEY	M-TAP x DEPTH
3.625	+0.0000 -0.0010	4.01	6.69	-	7/8 x 7/8 x 5-5/8	1-8 UNC x 1.97
90	+0.035 +0.013	95	170	15	25 x 14 x 140	M24 x 50

NEMA Motor Adapter - Clamp Collar					Dimension - Inch		
	H128 Double		H128 Triple		YA	YB	YC
	C	ZC	C	ZC			
140TC	-	-	18.35	3.63	0.47	0.20	0.67
180TC	-	-	19.64	4.92	0.73	0.22	0.91
210TC	20.22	5.50	21.55	6.83	0.69	0.22	0.89
250TC	19.96	5.24	21.41	6.69	0.95	0.20	1.13
280TC	20.87	6.15	22.33	7.61	0.95	0.20	1.30
320TC	22.44	7.72	-	-	1.02	0.20	1.19

NEMA Motor Adapter - 3 Piece Coupled					Dimension - Inch		
	H128 Double		H128 Triple		YA	YB	YC
	C	ZC	C	ZC			
140TC	-	-	22.17	7.45	0.55	0.20	1.10
180TC	-	-	23.22	8.50	0.73	0.22	1.65
210TC	24.00	9.28	25.33	10.61	0.87	0.22	2.01
250TC	25.75	11.03	27.20	12.48	0.95	0.20	2.17
280TC	28.56	13.84	30.02	15.30	0.95	0.20	2.57
320TC	31.06	16.34	-	-	1.02	0.20	2.99

Refer to page Engineering-2 for Input Shaft and Flange details

NOMENCLATURE PAGE ILH-4	MOUNTING POSITIONS PAGE ILH-7	STOCK/NON-STOCK PART NUMBERS PAGE ILH-67	WEIGHTS PAGE ILH-343
----------------------------	----------------------------------	---	-------------------------

DIMENSIONS



QUANTIS

QUANTIS GOLD

ILH

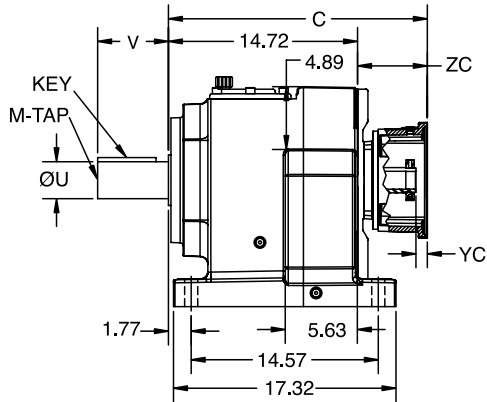
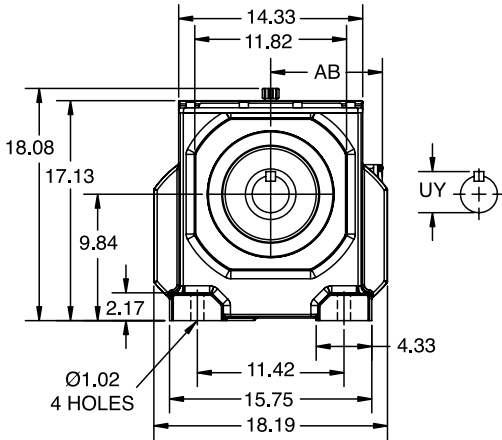
RHB

MSM

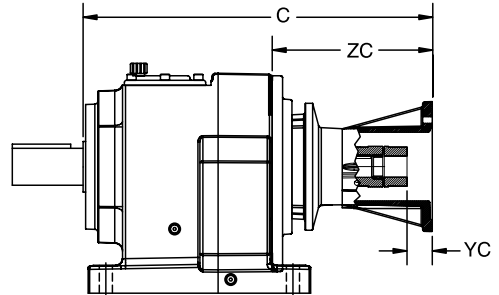
IN-LINE HELICAL GEAR REDUCER (ILH)

SIZE: HB128

IEC D Flange (B5 Input) - Foot Mounted - Clamp Collar / 3 Piece Coupled
Double/Triple Reduction

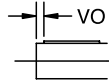


CLAMP COLLAR



THREE-PIECE COUPLED

METRIC OUTPUT SHAFT



NOMENCLATURE
PAGE ILH-4

MOUNTING POSITIONS
PAGE ILH-7

STOCK/NON-STOCK PART NUMBERS
PAGE ILH-67

WEIGHTS
PAGE ILH-343

DIMENSIONS



IN-LINE HELICAL GEAR REDUCER (ILH)

SIZE: HB128

IEC D Flange (B5 Input) - Foot Mounted - Clamp Collar / 3 Piece Coupled
Double/Triple Reduction

Standard Output Shaft						Dimension - Inch/MM
ØU	tol.	UY	V	VO	KEY	M-TAP x DEPTH
2.875	+0.0000 -0.0010	3.20	5.51	-	3/4 x 3/4 x 4-1/2	3/4 - 10 UNC x 1.65
70	+0.030 +0.011	75	140	15	20 x 12 x 110	M20 x 42

Optional Output Shaft						Dimension - Inch/MM
ØU	tol.	UY	V	VO	KEY	M-TAP x DEPTH
3.625	+0.0000 -0.0010	4.01	6.69	-	7/8 x 7/8 x 5-5/8	1-8 UNC x 1.97
90	+0.035 +0.013	95	170	15	25 x 14 x 140	M24 x 50

IEC Motor Adapter - Clamp Collar	Dimension - Inch				
	H128 Double		H128 Triple		YC
	C	ZC	C	ZC	
90D	-	-	17.85	3.13	0.61
100D	-	-	18.15	3.43	0.28
112D	-	-	18.27	3.55	0.28
132D	18.50	3.78	19.84	5.12	0.87
160D	20.00	5.28	21.46	6.74	0.79
180D	20.65	5.93	22.11	7.39	0.85
200D	21.04	6.32	22.50	7.78	1.18

IEC Motor Adapter - 3 Piece Coupled	Dimension - Inch				
	H128 Double		H128 Triple		YC
	C	ZC	C	ZC	
90D	-	-	22.09	7.37	1.02
100D	-	-	22.97	8.25	1.18
112D	-	-	22.72	8.00	1.18
132D	23.76	9.04	25.10	10.38	1.77
160D	26.18	11.46	27.64	12.92	2.60
180D	28.29	13.57	29.74	15.02	2.32
200D	28.83	14.11	29.78	15.06	2.36
225D	31.61	16.89	-	-	3.54

Refer to page Engineering-3 for Input Shaft and Flange details

NOMENCLATURE PAGE ILH-4	MOUNTING POSITIONS PAGE ILH-7	STOCK/NON-STOCK PART NUMBERS PAGE ILH-67	WEIGHTS PAGE ILH-343
----------------------------	----------------------------------	---	-------------------------

DIMENSIONS



QUANTIS

QUANTIS GOLD

ILH

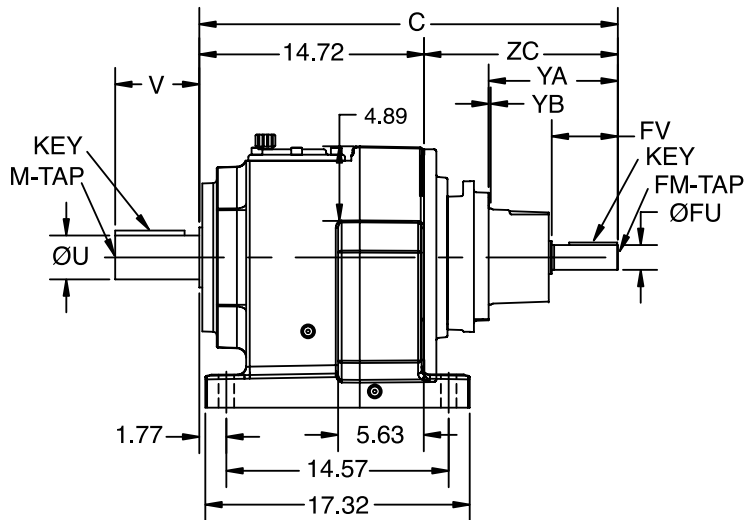
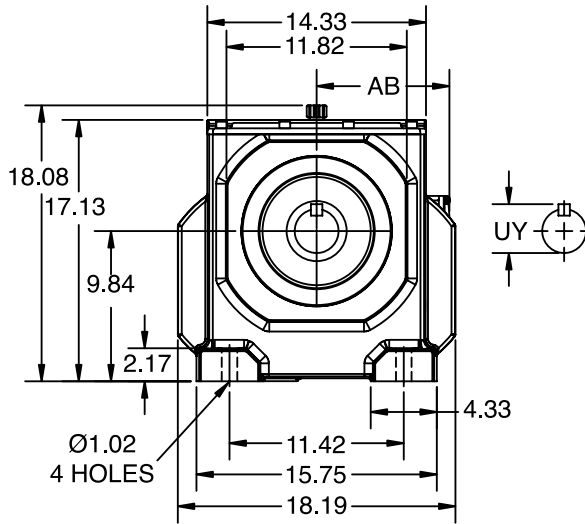
RHB

MSM

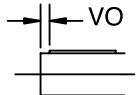
IN-LINE HELICAL GEAR REDUCER (ILH)

SIZE: HB128

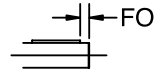
Separate - Foot Mounted
Double/Triple Reduction



METRIC OUTPUT SHAFT



METRIC INPUT SHAFT



NOMENCLATURE
PAGE ILH-4

MOUNTING POSITIONS
PAGE ILH-7

STOCK/NON-STOCK PART NUMBERS
PAGE ILH-67

WEIGHTS
PAGE ILH-343

IN-LINE HELICAL GEAR REDUCER (ILH)

SIZE: HB128

Separate - Foot Mounted
Double/Triple Reduction

Standard Output Shaft					Dimension - Inch/MM	
ØU	tol.	UY	V	VO	KEY	M-TAP x DEPTH
2.875	+0.0000 -0.0010	3.20	5.51	-	3/4 x 3/4 x 4-1/2	3/4 - 10 UNC x 1.65
70	+0.030 +0.011	75	140	15	20 x 12 x 110	M20 x 42

Optional Output Shaft					Dimension - Inch/MM	
ØU	tol.	UY	V	VO	KEY	M-TAP x DEPTH
3.625	+0.0000 -0.0010	4.01	6.69	-	7/8 x 7/8 x 5-5/8	1-8 UNC x 1.97
90	+0.035 +0.013	95	170	15	25 x 14 x 140	M24 x 50

Separate Input										Dimension - Inch/MM		
	H128 Double		H128 Triple		FO	FM x Depth	ØFU	tol.	FV	YA	YB	KEY
	C	ZC	C	ZC								
90	-	-	21.89	7.17	-	5/16-18 UNC x 0.75	0.875	+0.0000 -0.0005 +0.015 +0.002	1.97	2.80	0.16	3/16 x 3/16 x 1-5/8
	-	-	556	182	5	M8 x 19	24	50	8 x 7 x 40			
100	-	-	22.52	7.80	-	3/8-16 UNC x 0.87	1.125	+0.0000 -0.0005 +0.015 +0.002	2.36	3.27	0.16	1/4 x 1/4 x 2
	-	-	572	198	5	M10 x 22	28	60	8 x 7 x 50			
112	-	-	22.32	7.60	-	3/8-16 UNC x 0.87	1.250	+0.0000 -0.0005 +0.015 +0.002	2.36	3.27	0.16	1/4 x 1/4 x 2
	-	-	567	193	5	M10 x 22	28	60	8 x 7 x 50			
132	24.29	9.57	25.63	10.91	-	3/8-16 UNC x 1.10	1.375	+0.0000 -0.0005 +0.018 +0.002	3.15	6.61	0.14	5/16 x 5/16 x 2-3/4
	617	243	651	277	5	M12 x 28	38	80	10 x 8 x 70			
160	25.79	11.07	27.24	12.52	-	5/8-11 UNC x 1.42	1.625	+0.0000 -0.0010 +0.018 +0.002	4.33	8.46	0.14	3/8 x 3/8 x 3-1/2
	655	281	692	318	10	M16 x 36	42	110	12 x 8 x 90			
180	26.73	12.01	28.19	13.47	-	3/4-10 UNC x 1.65	2.125	+0.0000 -0.0010 +0.030 +0.011	4.33	9.25	0.16	1/2 x 1/2 x 3-5/8
	679	305	716	342	10	M20 x 42	55	110	16 x 10 x 90			
225	27.80	13.08	-	-	-	3/4-10 UNC x 1.65	2.125	+0.0000 -0.0010 +0.030 +0.011	4.33	9.02	0.14	1/2 x 1/2 x 3-5/8
	736	362	-	-	15	M20 x 42	60	140	18 x 11 x 110			

Refer to page Engineering-4 for Input Shaft and Flange details.

NOMENCLATURE PAGE ILH-4	MOUNTING POSITIONS PAGE ILH-7	STOCK/NON-STOCK PART NUMBERS PAGE ILH-67	WEIGHTS PAGE ILH-343
----------------------------	----------------------------------	---	-------------------------

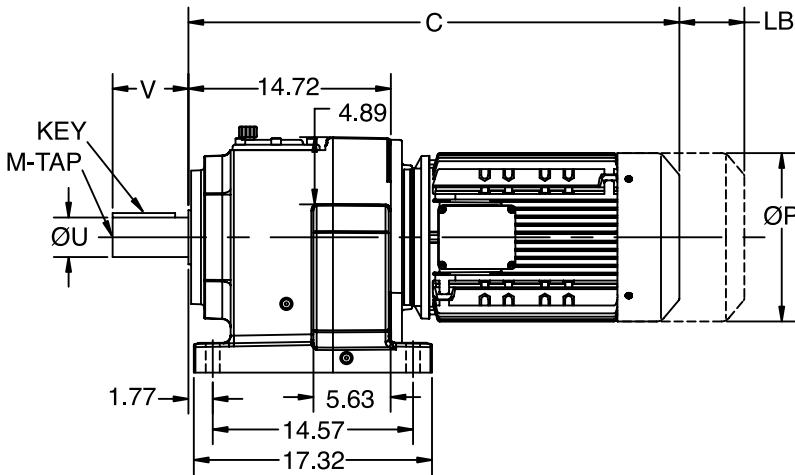
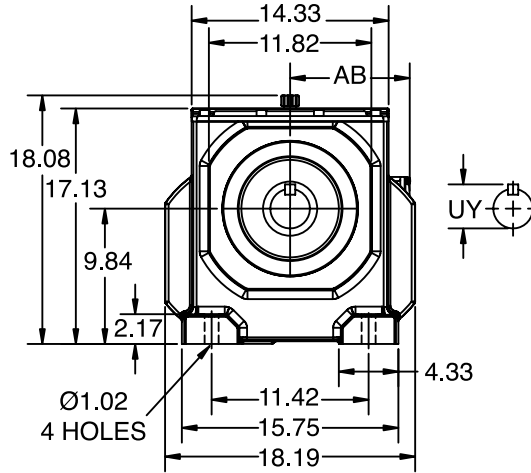
DIMENSIONS



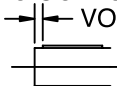
IN-LINE HELICAL GEAR REDUCER (ILH)

SIZE: HB128

Integral Gearmotor - Foot Mounted
Double/Triple Reduction



METRIC OUTPUT SHAFT



NOMENCLATURE
PAGE ILH-4

MOUNTING POSITIONS
PAGE ILH-7

STOCK/NON-STOCK PART NUMBERS
PAGE ILH-67

WEIGHTS
PAGE ILH-343

IN-LINE HELICAL GEAR REDUCER (ILH)

SIZE: HB128

Integral Gearmotor - Foot Mounted
Double/Triple Reduction

Standard Output Shaft					Dimension - Inch/MM	
ØU	tol.	UY	V	VO	KEY	M-TAP x DEPTH
2.875	+0.0000 -0.0010	3.20	5.51	-	3/4 x 3/4 x 4-1/2	3/4 - 10 UNC x 1.65
70	+0.030 +0.011	75	140	15	20 x 12 x 110	M20 x 42

Optional Output Shaft					Dimension - Inch/MM	
ØU	tol.	UY	V	VO	KEY	M-TAP x DEPTH
3.625	+0.0000 -0.0010	4.01	6.69	-	7/8 x 7/8 x 5-5/8	1-8 UNC x 1.97
90	+0.035 +0.013	95	170	15	25 x 14 x 140	M24 x 50

Motor Frame	H128 Double		H128 Triple		P	AB
	C	LB	C	LB		
90H4	-	-	26.27	2.52	7.19	5.79
			668	64		
90I4	-	-	27.15	2.52	7.19	5.79
			690	64		
100J4	-	-	29.15	2.91	7.19	5.79
			741	74		
112L4	-	-	30.67	2.91	8.60	6.88
			780	74		
132M4	30.85	3.9	32.18	3.9	10.28	8.09
	784	99	818	99	262	206
132N4	32.35	3.9	33.68	3.9	10.28	8.09
	822	99	856	99	262	206

NOMENCLATURE PAGE ILH-4	MOUNTING POSITIONS PAGE ILH-7	STOCK/NON-STOCK PART NUMBERS PAGE ILH-67	WEIGHTS PAGE ILH-343
----------------------------	----------------------------------	---	-------------------------

DIMENSIONS



QUANTIS

QUANTIS GOLD

ILH

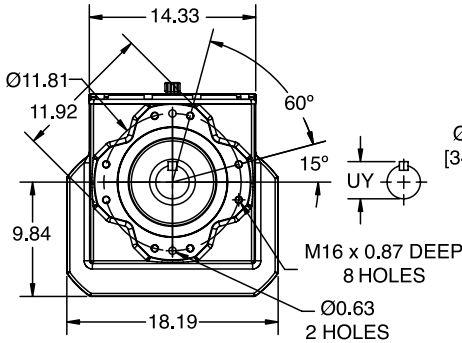
RHB

MSM

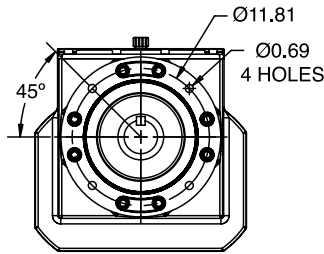
IN-LINE HELICAL GEAR REDUCER (ILH)

SIZE: HF128

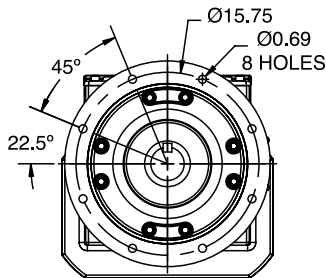
NEMA C-Face - Flange Mounted (B5 / B14) - Clamp Collar / 3 Piece Coupled
Double/Triple Reduction



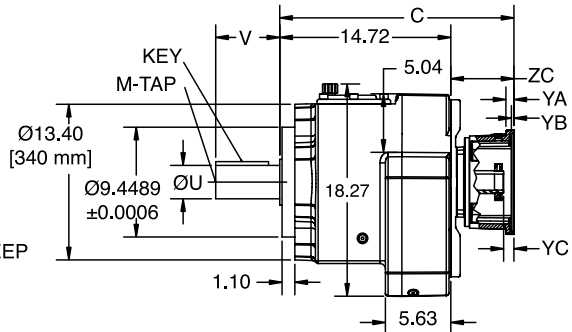
B14 OUTPUT FLANGE - Ø340mm



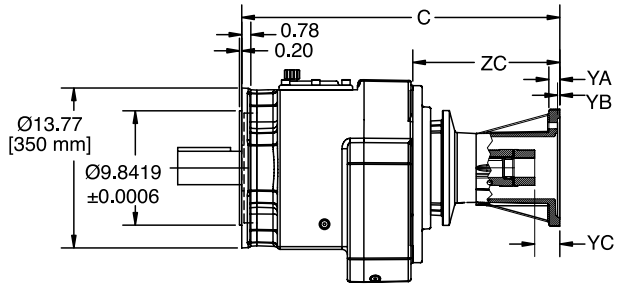
B5 OUTPUT FLANGE - Ø350mm



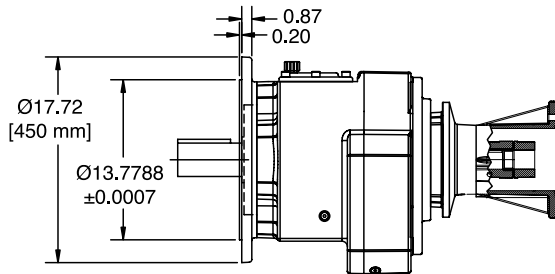
B5 OUTPUT FLANGE - Ø450mm



CLAMP COLLAR



THREE-PIECE COUPLED



METRIC OUTPUT SHAFT



NOMENCLATURE
PAGE ILH-4

MOUNTING POSITIONS
PAGE ILH-7

STOCK/NON-STOCK PART NUMBERS
PAGE ILH-67

WEIGHTS
PAGE ILH-343

IN-LINE HELICAL GEAR REDUCER (ILH)

SIZE: HF128

NEMA C-Face - Flange Mounted (B5 / B14) - Clamp Collar / 3 Piece Coupled
Double/Triple Reduction

Standard Output Shaft

Dimension - Inch/MM

ØU	tol.	UY	V	VO	KEY	M-TAP x DEPTH
2.875	+0.0000 -0.0010	3.20	5.51	-	3/4 x 3/4 x 4-1/2	3/4 - 10 UNC x 1.65
70	+0.030 +0.011	75	140	15	20 x 12 x 110	M20 x 42

Optional Output Shaft

Dimension - Inch/MM

ØU	tol.	UY	V	VO	KEY	M-TAP x DEPTH
3.625	+0.0000 -0.0010	4.01	6.69	-	7/8 x 7/8 x 5-5/8	1-8 UNC x 1.97
90	+0.035 +0.013	95	170	15	25 x 14 x 140	M24 x 50

NEMA Motor Adapter - Clamp Collar

Dimension - Inch

	H128 Double		H128 Triple		YA	YB	YC
	C	ZC	C	ZC			
140TC	-	-	18.35	3.63	0.47	0.20	0.67
180TC	-	-	19.64	4.92	0.73	0.22	0.91
210TC	20.22	5.50	21.55	6.83	0.69	0.22	0.89
250TC	19.96	5.24	21.41	6.69	0.95	0.20	1.13
280TC	20.87	6.15	22.33	7.61	0.95	0.20	1.30
320TC	22.44	7.72	-	-	1.02	0.20	1.19

NEMA Motor Adapter - 3 Piece Coupled

Dimension - Inch

	H128 Double		H128 Triple		YA	YB	YC
	C	ZC	C	ZC			
140TC	-	-	22.17	7.45	0.55	0.20	1.10
180TC	-	-	23.22	8.50	0.73	0.22	1.65
210TC	24.00	9.28	25.33	73.00	0.87	0.22	2.01
250TC	25.75	11.03	27.20	12.48	0.95	0.20	2.17
280TC	28.56	13.84	30.02	15.30	0.95	0.20	2.57
320TC	31.06	16.34	-	-	1.02	0.20	2.99

Refer to page Engineering-2 for Input Shaft and Flange details

NOMENCLATURE PAGE ILH-4	MOUNTING POSITIONS PAGE ILH-7	STOCK/NON-STOCK PART NUMBERS PAGE ILH-67	WEIGHTS PAGE ILH-343
----------------------------	----------------------------------	---	-------------------------

DIMENSIONS



QUANTIS

QUANTIS GOLD

ILH

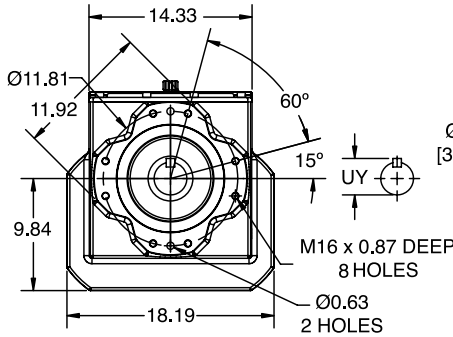
RHB

MSM

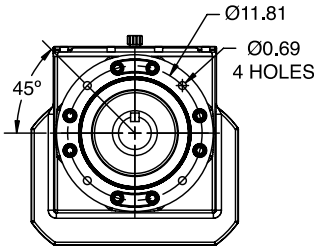
IN-LINE HELICAL GEAR REDUCER (ILH)

SIZE: HF128

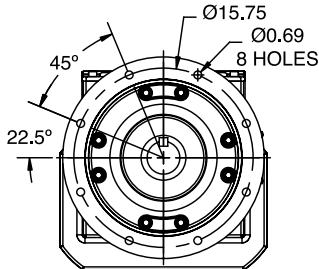
IEC D Flange (B5 Input) - Flange Mounted (B5 / B14) - Clamp Collar / 3 Piece Coupled
Double/Triple Reduction



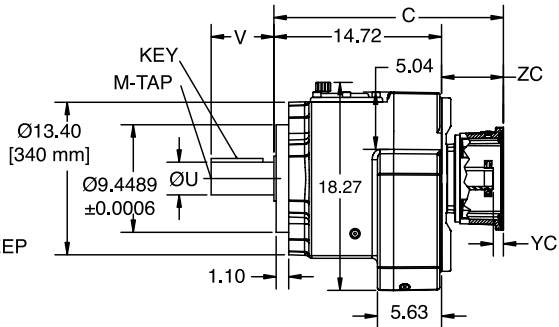
B14 OUTPUT FLANGE -
Ø340mm



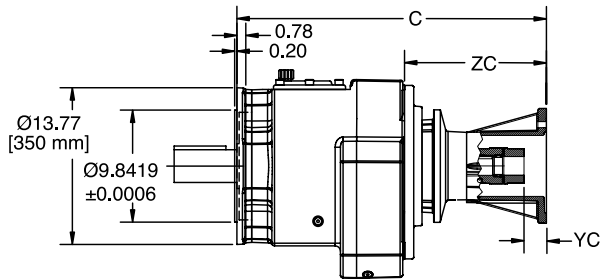
B5 OUTPUT FLANGE -
Ø350mm



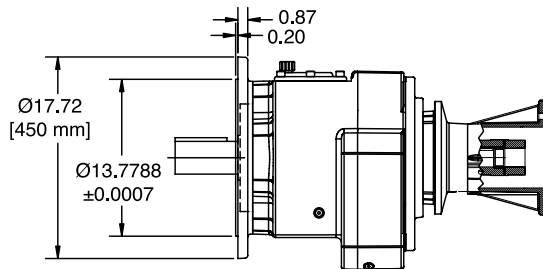
B5 OUTPUT FLANGE -
Ø450mm



CLAMP COLLAR



THREE-PIECE COUPLED



METRIC OUTPUT SHAFT



NOMENCLATURE
PAGE ILH-4

MOUNTING POSITIONS
PAGE ILH-7

STOCK/NON-STOCK PART NUMBERS
PAGE ILH-67

WEIGHTS
PAGE ILH-343

IN-LINE HELICAL GEAR REDUCER (ILH)

SIZE: HF128

IEC D Flange (B5 Input) - Flange Mounted (B5 / B14) - Clamp Collar / 3 Piece Coupled
Double/Triple Reduction

Standard Output Shaft					Dimension - Inch/MM	
ØU	tol.	UY	V	VO	KEY	M-TAP x DEPTH
2.875	+0.0000 -0.0010	3.20	5.51	-	3/4 x 3/4 x 4-1/2	3/4 - 10 UNC x 1.65
70	+0.030 +0.011	75	140	15	20 x 12 x 110	M20 x 42

Optional Output Shaft					Dimension - Inch	
ØU	tol.	UY	V	VO	KEY	M-TAP x DEPTH
3.625	+0.0000 -0.0010	4.01	6.69	-	7/8 x 7/8 x 5-5/8	1-8 UNC x 1.97
90	+0.035 +0.013	95	170	15	25 x 14 x 140	M24 x 50

	H128 Double		H128 Triple		YC
	C	ZC	C	ZC	
90D	-	-	17.85	3.13	0.61
100D	-	-	18.15	3.43	0.28
112D	-	-	18.27	3.55	0.28
132D	18.50	3.78	19.84	5.12	0.87
160D	20.00	5.28	21.46	6.74	0.79
180D	20.65	5.93	22.11	7.39	0.85
200D	21.04	6.32	22.50	7.78	1.18

	H128 Double		H128 Triple		YC
	C	ZC	C	ZC	
90D	-	-	22.09	7.37	1.02
100D	-	-	22.97	8.25	1.18
112D	-	-	22.72	8.00	1.18
132D	23.76	9.04	25.10	10.38	1.77
160D	26.18	11.46	27.64	12.92	2.60
180D	28.29	13.57	29.74	15.02	2.32
200D	28.83	14.11	29.78	15.06	2.36
225D	31.61	16.89	-	-	3.54

Refer to page Engineering-3 for Input Shaft and Flange details.

NOMENCLATURE PAGE ILH-4	MOUNTING POSITIONS PAGE ILH-7	STOCK/NON-STOCK PART NUMBERS PAGE ILH-67	WEIGHTS PAGE ILH-343
----------------------------	----------------------------------	---	-------------------------

DIMENSIONS



QUANTIS

QUANTIS GOLD

ILH

RHB

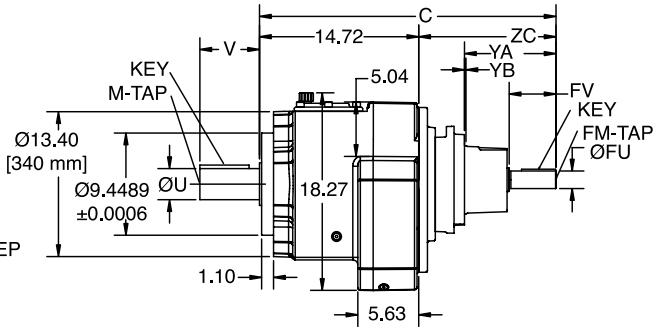
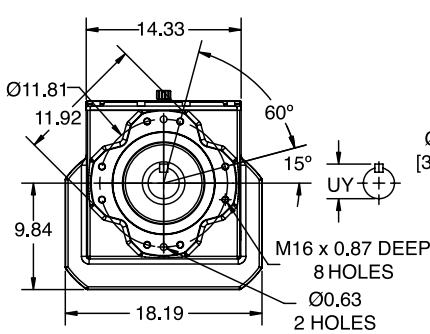
MSM

IN-LINE HELICAL GEAR REDUCER (ILH)

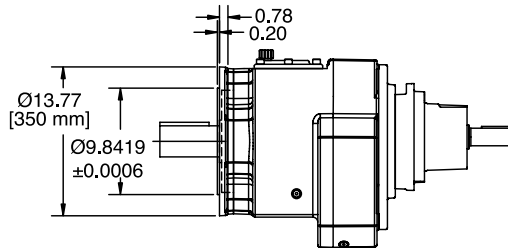
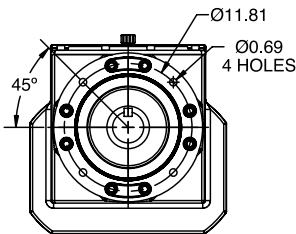
SIZE: HF128

Separate - Flange Mounted (B5 / B14)

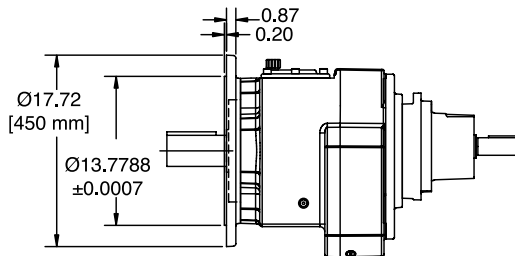
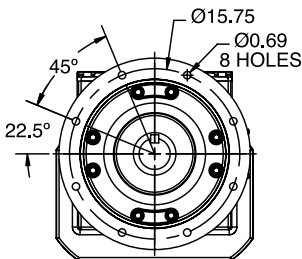
Double/Triple Reduction



B14 OUTPUT FLANGE - Ø340mm



B5 OUTPUT FLANGE - Ø350mm



B5 OUTPUT FLANGE - Ø450mm

METRIC OUTPUT SHAFT



METRIC INPUT SHAFT



NOMENCLATURE
PAGE ILH-4

MOUNTING POSITIONS
PAGE ILH-7

STOCK/NON-STOCK PART NUMBERS
PAGE ILH-67

WEIGHTS
PAGE ILH-343

IN-LINE HELICAL GEAR REDUCER (ILH) Separate - Flange Mounted (B5 / B14) Double/Triple Reduction

SIZE: HF128

QUANTIS

QUANTIS GOLD

ILH

RHB

MSM

Standard Output Shaft						Dimension - Inch/MM	
ØU	tol.	UY	V	VO	KEY	M-TAP x DEPTH	
2.875	+0.0000 -0.0010	3.20	5.51	-	3/4 x 3/4 x 4-1/2	3/4 - 10 UNC x 1.65	
70	+0.030 +0.011	75	140	15	20 x 12 x 110	M20 x 42	

Optional Output Shaft						Dimension - Inch/MM	
ØU	tol.	UY	V	VO	KEY	M-TAP x DEPTH	
3.625	+0.0000 -0.0010	4.01	6.69	-	7/8 x 7/8 x 5-5/8	1-8 UNC x 1.97	
90	+0.035 +0.013	95	170	15	25 x 14 x 140	M24 x 50	

Separate Input												Dimension - Inch/MM	
	H128 Double		H128 Triple		FO	FM x Depth	ØFU	tol.	FV	YA	YB	KEY	
	C	ZC	C	ZC									
90	-	-	21.89	7.17	-	5/16-18 UNC x 0.75	0.875	+0.0000 -0.0005	1.97	2.80	0.16	3/16 x 3/16 x 1-5/8	
	-	-	556	182	5	M8 x 19	24	+0.015 +0.002	50			8 x 7 x 40	
100	-	-	22.52	7.80	-	3/8-16 UNC x 0.87	1.125	+0.0000 -0.0005	2.36	3.27	0.16	1/4 x 1/4 x 2	
	-	-	572	198	5	M10 x 22	28	+0.015 +0.002	60			8 x 7 x 50	
112	-	-	22.32	7.60	-	3/8-16 UNC x 0.87	1.250	+0.0000 -0.0005	2.36	3.27	0.16	1/4 x 1/4 x 2	
	-	-	567	193	5	M10 x 22	28	+0.015 +0.002	60			8 x 7 x 50	
132	24.29	9.57	25.63	10.91	-	3/8-16 UNC x 1.10	1.375	+0.0000 -0.0005	3.15	6.61	0.14	5/16 x 5/16 x 2-3/4	
	617	243	651	277	5	M12 x 28	38	+0.018 +0.002	80			10 x 8 x 70	
160	25.79	11.07	27.24	12.52	-	5/8-11 UNC x 1.42	1.625	+0.0000 -0.0010	4.33	8.46	0.14	3/8 x 3/8 x 3-1/2	
	655	281	692	318	10	M16 x 36	42	+0.018 +0.002	110			12 x 8 x 90	
180	26.73	12.01	28.19	13.47	-	3/4-10 UNC x 1.65	2.125	+0.0000 -0.0010	4.33	9.25	0.16	1/2 x 1/2 x 3-5/8	
	679	305	716	342	10	M20 x 42	55	+0.030 +0.011	110			16 x 10 x 90	
225	27.80	13.08	-	-	-	3/4-10 UNC x 1.65	2.125	+0.0000 -0.0010	4.33	9.02	0.14	1/2 x 1/2 x 3-5/8	
	736	362	-	-	15	M20 x 42	60	+0.030 +0.011	140			259	18 x 11 x 110

Refer to page Engineering-4 for Input Shaft and Flange details.

NOMENCLATURE PAGE ILH-4	MOUNTING POSITIONS PAGE ILH-7	STOCK/NON-STOCK PART NUMBERS PAGE ILH-67	WEIGHTS PAGE ILH-343
----------------------------	----------------------------------	---	-------------------------

DIMENSIONS



QUANTIS

QUANTIS GOLD

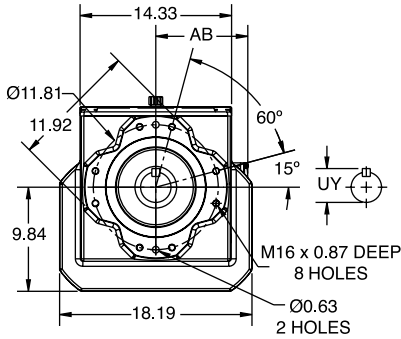
ILH

RHB

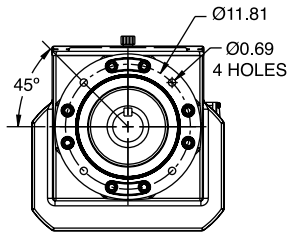
MSM

IN-LINE HELICAL GEAR REDUCER (ILH) Integral Gearmotor - Flange Mounted (B5 / B14) Double/Triple Reduction

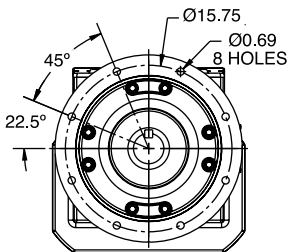
SIZE: HF128



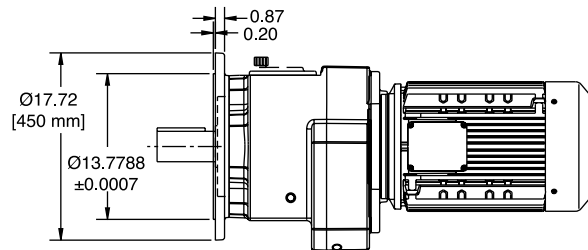
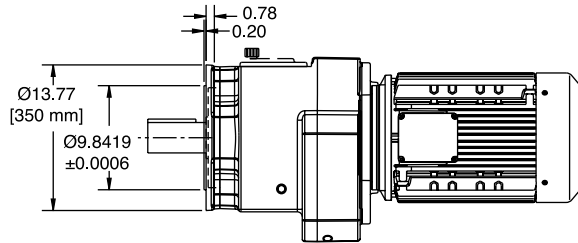
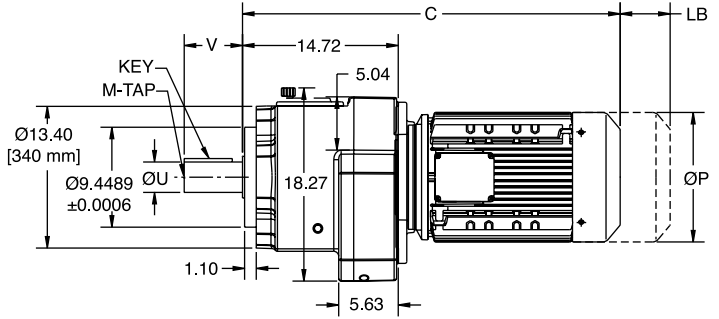
**B14 OUTPUT FLANGE -
Ø340mm**



**B5 OUTPUT FLANGE -
Ø350mm**



**B5 OUTPUT FLANGE -
Ø450mm**



METRIC OUTPUT SHAFT



NOMENCLATURE PAGE ILH-4	MOUNTING POSITIONS PAGE ILH-7	STOCK/NON-STOCK PART NUMBERS PAGE ILH-67	WEIGHTS PAGE ILH-343
----------------------------	----------------------------------	---	-------------------------

DIMENSIONS



IN-LINE HELICAL GEAR REDUCER (ILH) Integral Gearmotor - Flange Mounted (B5 / B14) Double/Triple Reduction

SIZE: HF128

Standard Output Shaft						Dimension - Inch/MM
ØU	tol.	UY	V	VO	KEY	M-TAP x DEPTH
2.875	+0.0000 -0.0010	3.20	5.51	-	3/4 x 3/4 x 4-1/2	3/4 - 10 UNC x 1.65
70	+0.030 +0.011	75	140	15	20 x 12 x 110	M20 x 42

Optional Output Shaft						Dimension - Inch/MM
ØU	tol.	UY	V	VO	KEY	M-TAP x DEPTH
3.625	+0.0000 -0.0010	4.01	6.69	-	7/8 x 7/8 x 5-5/8	1-8 UNC x 1.97
90	+0.035 +0.013	95	170	15	25 x 14 x 140	M24 x 50

Motor Frame	H128 Double		H128 Triple		P	AB
	C	LB	C	LB		
	90H4	-	-	26.27 668		
90I4	-	-	27.15 690	2.52 64	7.19 183	5.79 148
100J4	-	-	29.15 741	2.91 74	7.19 183	5.79 148
112L4	-	-	30.67 780	2.91 74	8.6 219	6.88 175
132M4	30.85 784	3.9 99	32.18 818	3.9 99	10.28 262	8.09 206
132N4	32.35 822	3.9 99	33.68 856	3.9 99	10.28 262	8.09 206

NOMENCLATURE PAGE ILH-4	MOUNTING POSITIONS PAGE ILH-7	STOCK/NON-STOCK PART NUMBERS PAGE ILH-67	WEIGHTS PAGE ILH-343
----------------------------	----------------------------------	---	-------------------------

DIMENSIONS



QUANTIS

QUANTIS GOLD

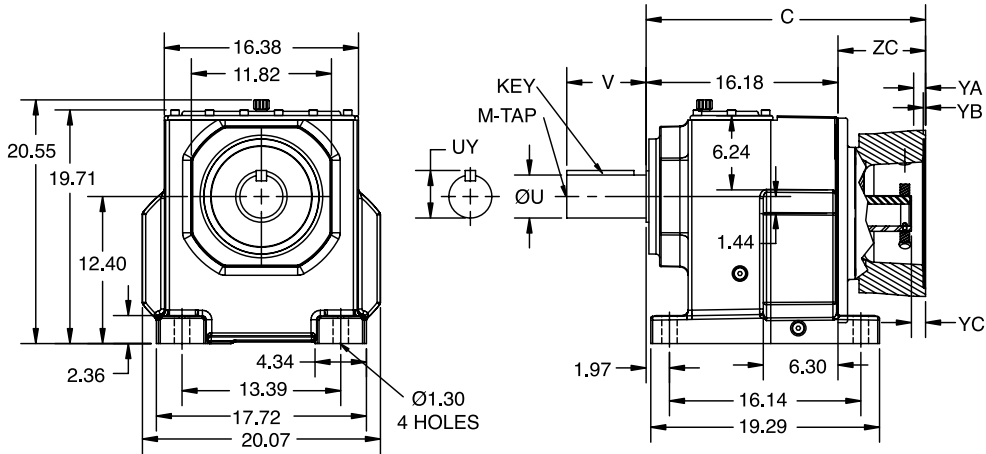
ILH

RHB

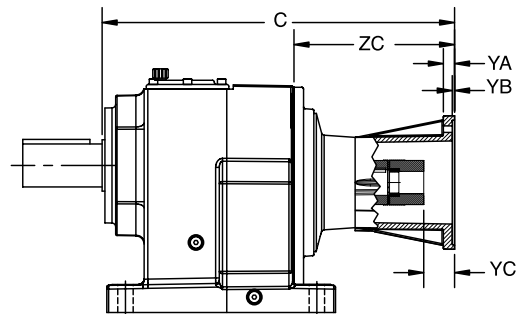
MSM

IN-LINE HELICAL GEAR REDUCER (ILH) NEMA C-Face - Foot Mounted - Clamp Collar / 3 Piece Coupled Double/Triple Reduction

SIZE: HB148

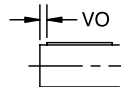


CLAMP COLLAR



THREE-PIECE COUPLED

METRIC OUTPUT SHAFT



NOMENCLATURE PAGE ILH-4	MOUNTING POSITIONS PAGE ILH-7	STOCK/NON-STOCK PART NUMBERS PAGE ILH-67	WEIGHTS PAGE ILH-343
----------------------------	----------------------------------	---	-------------------------

DIMENSIONS



IN-LINE HELICAL GEAR REDUCER (ILH) NEMA C-Face - Foot Mounted - Clamp Collar / 3 Piece Coupled Double/Triple Reduction

SIZE: HB148

Standard Output Shaft					Dimension - Inch/MM	
ØU	tol.	UY	V	VO	KEY	M-TAP x DEPTH
3.625	+0.0000 -0.0010	4.01	6.69	-	7/8 x 7/8 x 5-5/8	1-8 UNC x 1.97
90	+0.035 +0.013	95	170	15	25 x 14 x 140	M24 x 50

Optional Output Shaft					Dimension - Inch/MM	
ØU	tol.	UY	V	VO	KEY	M-TAP x DEPTH
4.000	+0.0000 -0.0010	4.44	8.27	-	1 x 1 x 7-1/8	1-8 UNC x 1.97
100	+0.035 +0.013	106	210	15	28 x 16 x 180	M24 x 50

	NEMA Motor Adapter - Clamp Collar				Dimension - Inch		
	H148 Double		H148 Triple		YA	YB	YC
	C	ZC	C	ZC			
180TC	-	-	20.98	4.80	0.73	0.22	0.91
210TC	21.36	5.18	22.86	6.68	0.69	0.22	0.89
250TC	21.12	4.94	22.62	6.44	0.95	0.20	1.13
280TC	22.04	5.86	23.54	7.36	0.95	0.20	1.30
320TC	23.63	7.45	25.13	8.95	1.02	0.20	1.19
360TC	25.36	9.18	-	-	1.02	0.20	1.48

	NEMA Motor Adapter - 3 Piece Coupled				Dimension - Inch		
	H148 Double		H148 Triple		YA	YB	YC
	C	ZC	C	ZC			
180TC	-	-	24.57	8.39	0.73	0.22	1.65
210TC	25.14	8.96	26.63	10.45	0.87	0.22	2.01
250TC	26.91	10.73	28.41	12.23	0.95	0.20	2.17
280TC	29.72	13.54	31.22	15.04	0.95	0.20	2.57
320TC	32.22	16.04	33.72	17.54	1.02	0.20	2.99
360TC	33.27	17.09	-	-	1.02	0.20	3.26

Refer to page Engineering-2 for Input Shaft and Flange details.

NOMENCLATURE PAGE ILH-4	MOUNTING POSITIONS PAGE ILH-7	STOCK/NON-STOCK PART NUMBERS PAGE ILH-67	WEIGHTS PAGE ILH-343
----------------------------	----------------------------------	---	-------------------------

DIMENSIONS



QUANTIS

QUANTIS GOLD

ILH

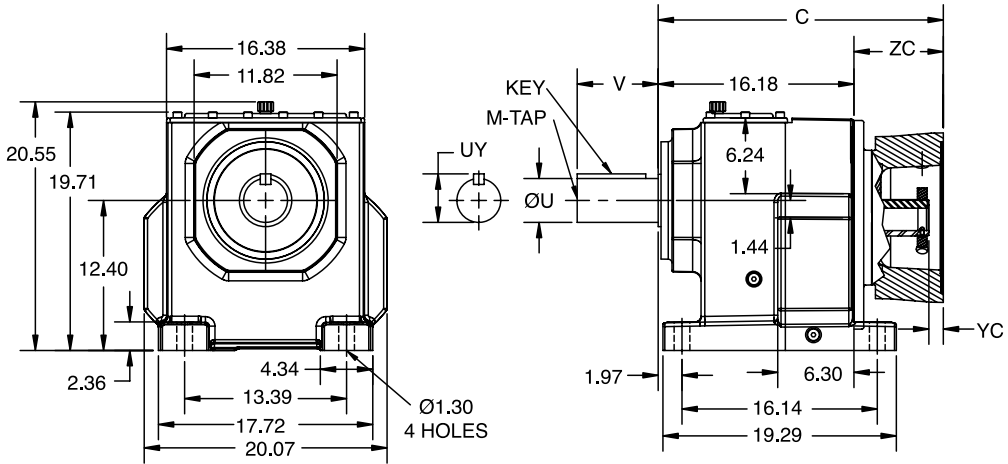
RHB

MSM

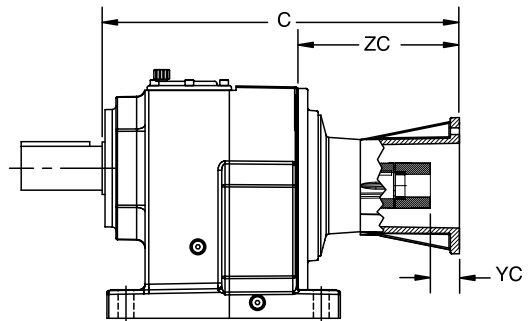
IN-LINE HELICAL GEAR REDUCER (ILH)

SIZE: HB148

IEC D Flange (B5 Input) - Foot Mounted - Clamp Collar / 3 Piece Coupled
Double/Triple Reduction

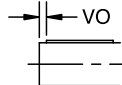


CLAMP COLLAR



THREE-PIECE COUPLED

METRIC OUTPUT SHAFT



NOMENCLATURE
PAGE ILH-4

MOUNTING POSITIONS
PAGE ILH-7

STOCK/NON-STOCK PART NUMBERS
PAGE ILH-67

WEIGHTS
PAGE ILH-343

DIMENSIONS



IN-LINE HELICAL GEAR REDUCER (ILH)

SIZE: HB148

IEC D Flange (B5 Input) - Foot Mounted - Clamp Collar / 3 Piece Coupled
Double/Triple Reduction

Standard Output Shaft					Dimension - Inch/MM	
ØU	tol.	UY	V	VO	KEY	M-TAP x DEPTH
3.625	+0.0000 -0.0010	4.01	6.69	-	7/8 x 7/8 x 5-5/8	1-8 UNC x 1.97
90	+0.035 +0.013	95	170	15	25 x 14 x 140	M24 x 50

Optional Output Shaft					Dimension - Inch/MM	
ØU	tol.	UY	V	VO	KEY	M-TAP x DEPTH
4.000	+0.0000 -0.0010	4.44	8.27	-	1 x 1 x 7-1/8	1-8 UNC x 1.97
100	+0.035 +0.013	106	210	15	28 x 16 x 180	M24 x 50

	IEC Motor Adapter - Clamp Collar				Dimension - Inch
	H148 Double		H148 Triple		YC
	C	ZC	C	ZC	
100D	-	-	19.41	3.23	0.28
112D	-	-	19.61	3.43	0.28
132D	19.65	3.47	21.14	4.96	0.87
160D	21.16	4.98	22.66	6.48	0.79
180D	21.81	5.63	23.31	7.13	0.83
200D	22.20	6.02	23.70	7.52	1.18

	IEC Motor Adapter - 3 Piece Coupled				Dimension - Inch
	H148 Double		H148 Triple		YC
	C	ZC	C	ZC	
100D	-	-	24.23	8.05	1.18
112D	-	-	24.06	7.88	1.18
132D	24.90	8.72	26.40	10.22	1.77
160D	27.34	11.16	28.84	12.66	2.60
180D	29.45	13.27	30.94	14.76	2.32
200D	29.49	13.31	30.98	14.80	2.36
225D	32.78	16.60	34.27	18.09	3.54
250D	32.95	16.77	-	-	2.95

Refer to page Engineering-3 for Input Shaft and Flange details

NOMENCLATURE PAGE ILH-4	MOUNTING POSITIONS PAGE ILH-7	STOCK/NON-STOCK PART NUMBERS PAGE ILH-67	WEIGHTS PAGE ILH-343
----------------------------	----------------------------------	---	-------------------------

DIMENSIONS



QUANTIS

QUANTIS GOLD

ILH

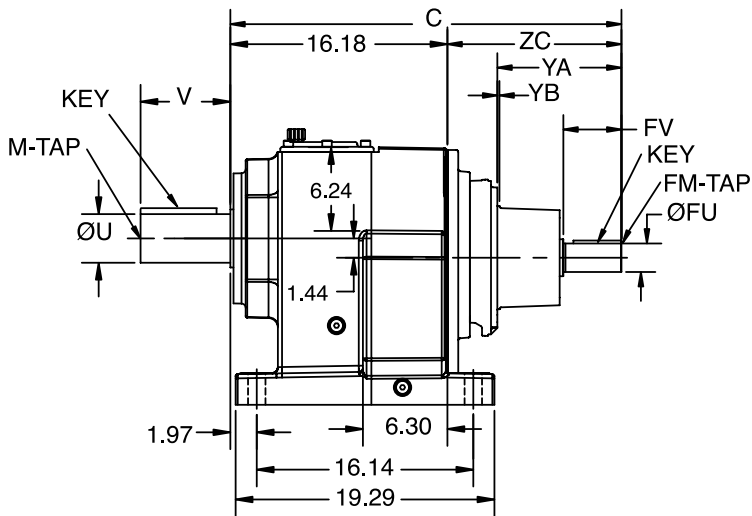
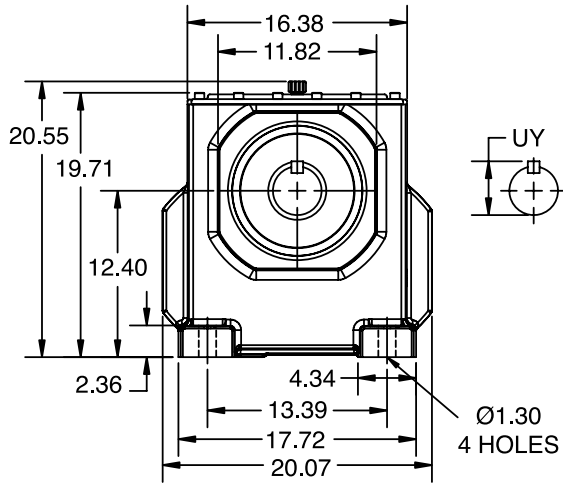
RHB

MSM

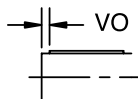
IN-LINE HELICAL GEAR REDUCER (ILH)

SIZE: HB148

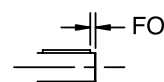
Separate - Foot Mounted
Double/Triple Reduction



METRIC OUTPUT SHAFT



METRIC INPUT SHAFT



NOMENCLATURE
PAGE ILH-4

MOUNTING POSITIONS
PAGE ILH-7

STOCK/NON-STOCK PART NUMBERS
PAGE ILH-67

WEIGHTS
PAGE ILH-343

IN-LINE HELICAL GEAR REDUCER (ILH)

SIZE: HB148

Separate - Foot Mounted
Double/Triple Reduction

Standard Output Shaft

Dimension - Inch/MM

ØU	tol.	UY	V	VO	KEY	M-TAP x DEPTH
3.625	+0.0000 -0.0010	4.01	6.69	-	7/8 x 7/8 x 5-5/8	1-8 UNC x 1.97
90	+0.035 +0.013	95	170	15	25 x 14 x 140	M24 x 50

Optional Output Shaft

Dimension - Inch/MM

ØU	tol.	UY	V	VO	KEY	M-TAP x DEPTH
4.000	+0.0000 -0.0010	4.44	8.27	-	1 x 1 x 7-1/8	1-8 UNC x 1.97
100	+0.035 +0.013	106	210	15	28 x 16 x 180	M24 x 50

Separate Input

Dimension - Inch/MM

	H148 Double		H148 Triple		FO	FM x Depth	ØFU	tol.	FV	YA	YB	KEY
	C	ZC	C	ZC								
100	-	-	23.78	7.60	-	3/8-16 UNC x 0.87	1.125	+0.0000 -0.0005	2.36	3.27	0.16	1/4 x 1/4 x 2
	-	-	604	193	5	M10 x 22	28	+0.015 +0.002	60			8 x 7 x 50
112	-	-	23.66	7.48	-	3/8-16 UNC x 0.87	1.250	+0.0000 -0.0005	2.36	3.27	0.16	1/4 x 1/4 x 2
	-	-	601	190	5	M10 x 22	28	+0.015 +0.002	60			8 x 7 x 50
132	25.43	9.25	26.93	10.75	-	3/8-16 UNC x 1.10	1.375	+0.0000 -0.0005	3.15	6.61	0.14	5/16 x 5/16 x 2-3/4
	646	235	684	273	5	M12 x 28	38	+0.018 +0.002	80			10 x 8 x 70
160	26.97	10.79	28.46	12.28	-	5/8-11 UNC x 1.42	1.625	+0.0000 -0.0010	4.33	8.46	0.14	3/8 x 3/8 x 3-1/2
	685	274	723	312	10	M16 x 36	42	+0.018 +0.002	110			12 x 8 x 90
180	27.87	11.69	29.37	13.19	-	3/4-10 UNC x 1.65	2.125	+0.0000 -0.0010	4.33	9.25	0.16	1/2 x 1/2 x 3-5/8
	708	297	746	335	10	M20 x 42	55	+0.030 +0.011	110			16 x 10 x 90
225	28.98	12.80	30.47	14.29	-	3/4-10 UNC x 1.65	2.125	+0.0000 -0.0010	4.33	9.02	0.14	1/2 x 1/2 x 3-5/8
	766	355	804	393	15	M20 x 42	60	+0.030 +0.011	140			259
250	30.12	13.94	-	-	-	3/4-10 UNC x 1.65	2.375	+0.0000 -0.0010	5.51	10.20	0.14	5/8 x 5/8 x 4-3/8
	765	354	-	-	15	M20 x 42	65	+0.030 +0.011	140			18 x 11 x 110

Refer to page Engineering-4 for Input Shaft and Flange details.

NOMENCLATURE PAGE ILH-4	MOUNTING POSITIONS PAGE ILH-7	STOCK/NON-STOCK PART NUMBERS PAGE ILH-67	WEIGHTS PAGE ILH-343
----------------------------	----------------------------------	---	-------------------------

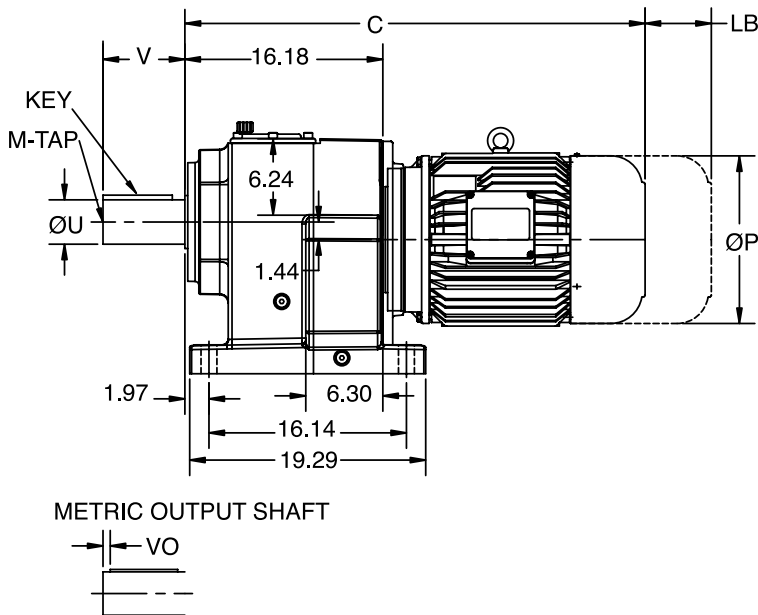
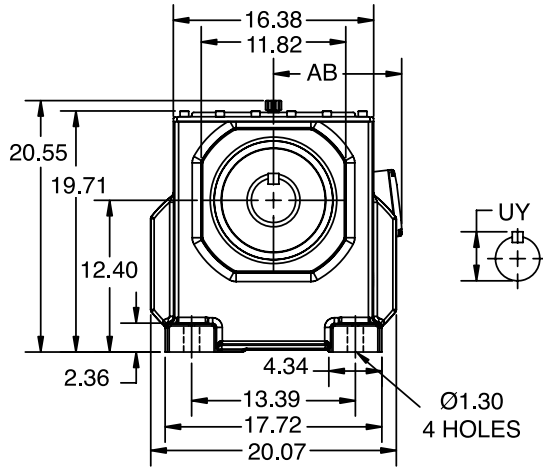
DIMENSIONS



IN-LINE HELICAL GEAR REDUCER (ILH)

SIZE: HB148

Integral Gearmotor - Foot Mounted
Double/Triple Reduction



NOMENCLATURE
PAGE ILH-4

MOUNTING POSITIONS
PAGE ILH-7

STOCK/NON-STOCK PART NUMBERS
PAGE ILH-67

WEIGHTS
PAGE ILH-343

DIMENSIONS



IN-LINE HELICAL GEAR REDUCER (ILH)

SIZE: HB148

Integral Gearmotor - Foot Mounted

Double/Triple Reduction

Standard Output Shaft

Dimension - Inch/MM

ØU	tol.	UY	V	VO	KEY	M-TAP x DEPTH
3.625	+0.0000 -0.0010	4.01	6.69	-	7/8 x 7/8 x 5-5/8	1-8 UNC x 1.97
90	+0.035 +0.013	95	170	15	25 x 14 x 140	M24 x 50

Optional Output Shaft

Dimension - Inch/MM

ØU	tol.	UY	V	VO	KEY	M-TAP x DEPTH
4.000	+0.0000 -0.0010	4.44	8.27	-	1 x 1 x 7-1/8	1-8 UNC x 1.97
100	+0.035 +0.013	106	210	15	28 x 16 x 180	M24 x 50

Motor

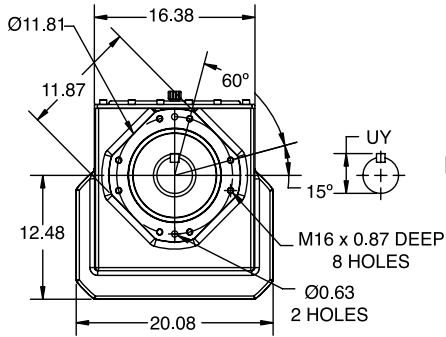
Dimension - Inch/MM

Frame	H148 Double		H148 Triple		P	AB
	C	LB	C	LB		
100J4	-	-	30.41	2.91	7.19	5.79
			773	74	183	148
112L4	-	-	32.01	2.91	8.6	6.88
			814	74	219	175
132M4	31.99	3.9	33.48	3.9	10.28	8.09
	813	99	851	99	262	206
132N4	33.49	3.9	34.98	3.9	10.28	8.09
	851	99	889	99	262	206

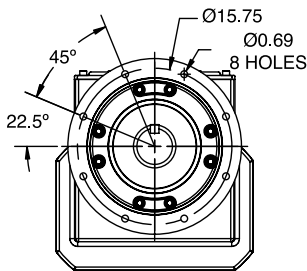
IN-LINE HELICAL GEAR REDUCER (ILH)

SIZE: HF148

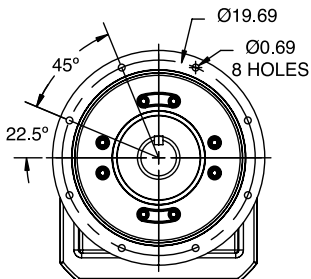
NEMA C-Face - Flange Mounted (B5 / B14) - Clamp Collar - 3 Piece Coupled
Double/Triple Reduction



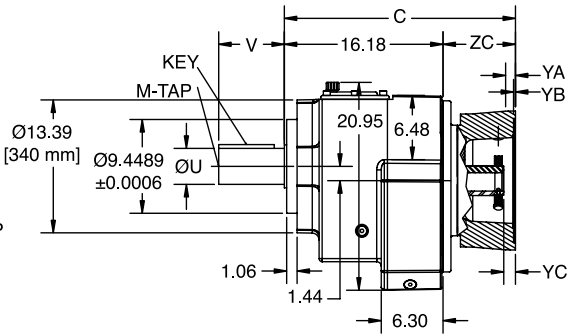
**B14 OUTPUT FLANGE -
Ø340mm**



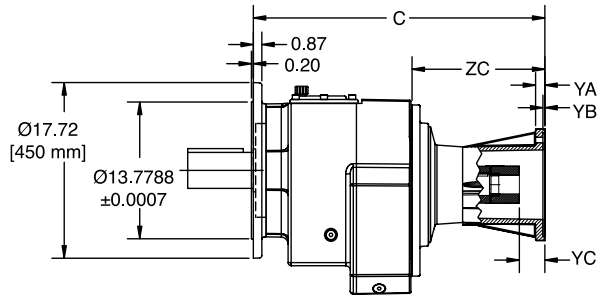
**B5 OUTPUT FLANGE -
Ø450 mm**



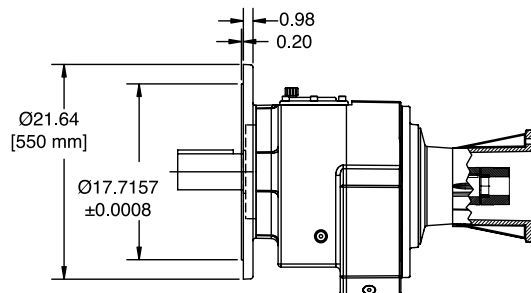
**B5 OUTPUT FLANGE -
Ø550mm**



CLAMP COLLAR



THREE-PIECE COUPLED



METRIC OUTPUT SHAFT



NOMENCLATURE PAGE ILH-4	MOUNTING POSITIONS PAGE ILH-7	STOCK/NON-STOCK PART NUMBERS PAGE ILH-67	WEIGHTS PAGE ILH-343
----------------------------	----------------------------------	---	-------------------------

IN-LINE HELICAL GEAR REDUCER (ILH)

SIZE: HF148

NEMA C-Face - Flange Mounted (B5 / B14) - Clamp Collar - 3 Piece Coupled
Double/Triple Reduction

Standard Output Shaft					Dimension - Inch/MM	
ØU	tol.	UY	V	VO	KEY	M-TAP x DEPTH
3.625	+0.0000 -0.0010	4.01	6.69	-	7/8 x 7/8 x 5-5/8	1-8 UNC x 1.97
90	+0.035 +0.013	95	170	15	25 x 14 x 140	M24 x 50

Optional Output Shaft					Dimension - Inch/MM	
ØU	tol.	UY	V	VO	KEY	M-TAP x DEPTH
4.000	+0.0000 -0.0010	4.44	8.27	-	1 x 1 x 7-1/8	1-8 UNC x 1.97
100	+0.035 +0.013	106	210	15	28 x 16 x 180	M24 x 50

NEMA Motor Adapter - Clamp Collar					Dimension - Inch		
	H148 Double		H148 Triple		YA	YB	YC
	C	ZC	C	ZC			
180TC	-	-	20.98	4.80	0.73	0.22	0.91
210TC	21.36	5.18	22.86	6.68	0.69	0.22	0.89
250TC	21.12	4.94	22.62	6.44	0.95	0.20	1.13
280TC	22.04	5.86	23.54	7.36	0.95	0.20	1.30
320TC	23.63	7.45	25.13	8.95	1.02	0.20	1.19
360TC	25.36	9.18	-	-	1.02	0.20	1.48

NEMA Motor Adapter - 3 Piece Coupled					Dimension - Inch		
	H148 Double		H148 Triple		YA	YB	YC
	C	ZC	C	ZC			
180TC	-	-	24.57	8.39	0.73	0.22	1.65
210TC	25.14	8.96	26.63	10.45	0.87	0.22	2.01
250TC	26.91	10.73	28.41	12.23	0.95	0.20	2.17
280TC	29.72	13.54	31.22	15.04	0.95	0.20	2.57
320TC	32.22	16.04	33.72	17.54	1.02	0.20	2.99
360TC	33.27	17.09	-	-	1.02	0.20	3.26

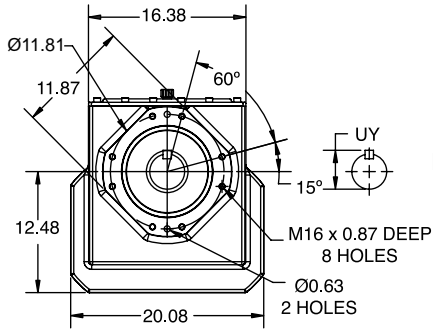
Refer to page Engineering-2 for Input Shaft and Flange details.

NOMENCLATURE PAGE ILH-4	MOUNTING POSITIONS PAGE ILH-7	STOCK/NON-STOCK PART NUMBERS PAGE ILH-67	WEIGHTS PAGE ILH-343
----------------------------	----------------------------------	---	-------------------------

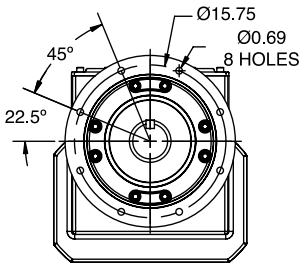
IN-LINE HELICAL GEAR REDUCER (ILH)

SIZE: HF148

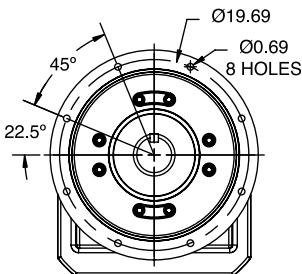
IEC D Flange (B5 Input) - Flange Mounted (B5 / B14) - Clamp Collar - 3 Piece Coupled
Double/Triple Reduction



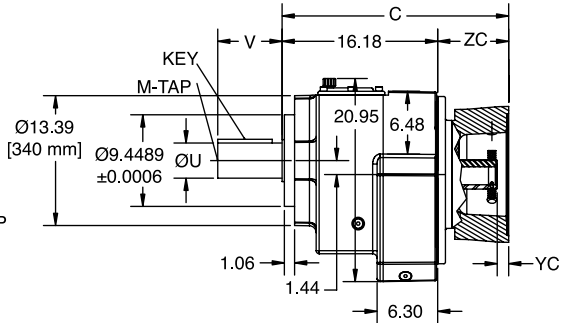
B14 OUTPUT FLANGE -
Ø340mm



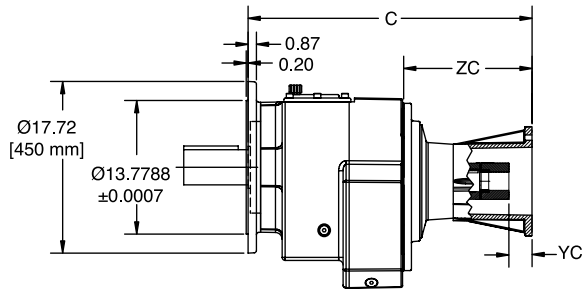
B5 OUTPUT FLANGE -
Ø450 mm



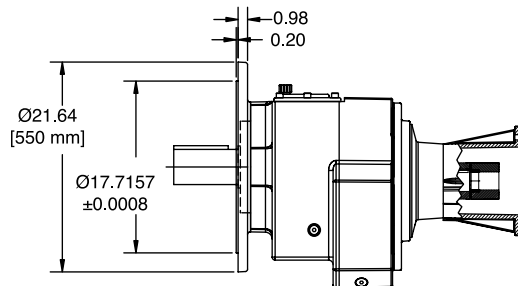
B5 OUTPUT FLANGE -
Ø550mm



CLAMP COLLAR



THREE-PIECE COUPLED



METRIC OUTPUT SHAFT

IN-LINE HELICAL GEAR REDUCER (ILH)

SIZE: HF148

IEC D Flange (B5 Input) - Flange Mounted (B5 / B14) - Clamp Collar - 3 Piece Coupled
Double/Triple Reduction

Standard Output Shaft					Dimension - Inch/MM	
ØU	tol.	UY	V	VO	KEY	M-TAP x DEPTH
3.625	+0.0000 -0.0010	4.01	6.69	-	7/8 x 7/8 x 5-5/8	1-8 UNC x 1.97
90	+0.035 +0.013	95	170	15	25 x 14 x 140	M24 x 50

Optional Output Shaft					Dimension - Inch/MM	
ØU	tol.	UY	V	VO	KEY	M-TAP x DEPTH
4.000	+0.0000 -0.0010	4.44	8.27	-	1 x 1 x 7-1/8	1-8 UNC x 1.97
100	+0.035 +0.013	106	210	15	28 x 16 x 180	M24 x 50

	IEC Motor Adapter - Clamp Collar				Dimension - Inch
	H148 Double		H148 Triple		YC
	C	ZC	C	ZC	
100D	-	-	19.41	3.23	0.28
112D	-	-	19.61	3.43	0.28
132D	19.65	3.47	21.14	4.96	0.87
160D	21.16	4.98	22.66	6.48	0.79
180D	21.81	5.63	23.31	7.13	0.83
200D	22.20	6.02	23.70	7.52	1.18

	IEC Motor Adapter - 3 Piece Coupled				Dimension - Inch
	H148 Double		H148 Triple		YC
	C	ZC	C	ZC	
100D	-	-	24.23	8.05	1.18
112D	-	-	24.06	7.88	1.18
132D	24.90	8.72	26.40	10.22	1.77
160D	27.34	11.16	28.84	12.66	2.60
180D	29.45	13.27	30.94	14.76	2.32
200D	29.49	13.31	30.98	14.80	2.36
225D	32.78	16.60	34.27	18.09	3.54
250D	32.95	16.77	-	-	2.95

Refer to page Engineering-3 for Input Shaft and Flange details.

NOMENCLATURE PAGE ILH-4	MOUNTING POSITIONS PAGE ILH-7	STOCK/NON-STOCK PART NUMBERS PAGE ILH-67	WEIGHTS PAGE ILH-343
----------------------------	----------------------------------	---	-------------------------

DIMENSIONS



QUANTIS

QUANTIS GOLD

ILH

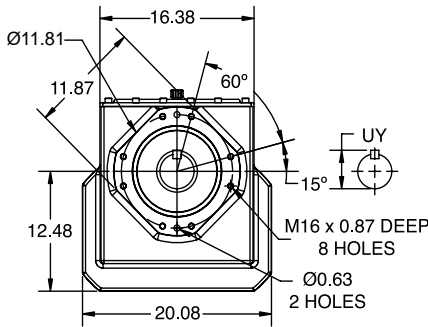
RHB

MSM

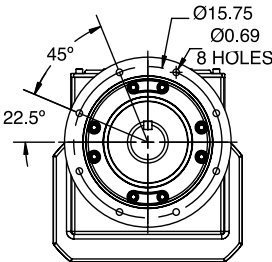
IN-LINE HELICAL GEAR REDUCER (ILH)

SIZE: HF148

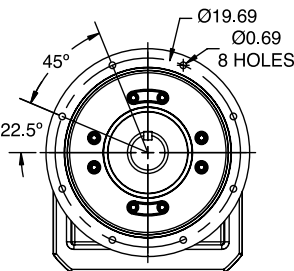
Separate - Flange Mounted (B5 / B14)
Double/Triple Reduction



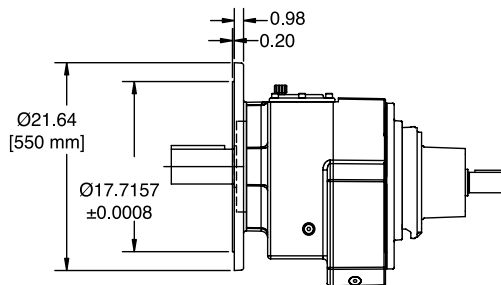
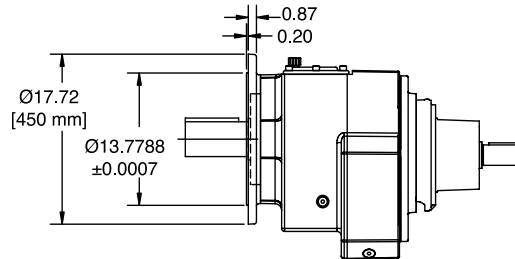
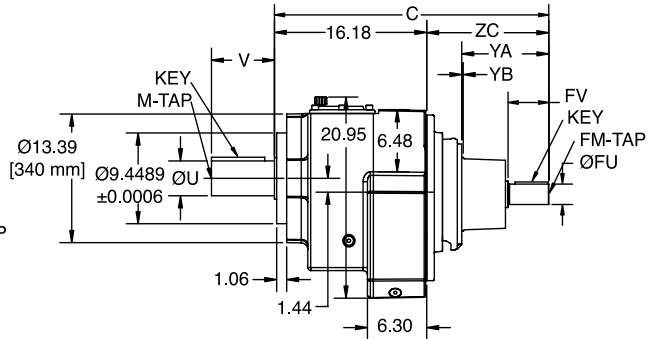
B14 OUTPUT FLANGE -
Ø340mm



B5 OUTPUT FLANGE -
Ø450mm



B5 OUTPUT FLANGE -
Ø550mm



METRIC OUTPUT SHAFT

METRIC INPUT SHAFT



NOMENCLATURE
PAGE ILH-4

MOUNTING POSITIONS
PAGE ILH-7

STOCK/NON-STOCK PART NUMBERS
PAGE ILH-67

WEIGHTS
PAGE ILH-343

IN-LINE HELICAL GEAR REDUCER (ILH)

SIZE: HF148

Separate - Flange Mounted (B5 / B14)

Double/Triple Reduction

Standard Output Shaft

Dimension - Inch/MM

ØU	tol.	UY	V	VO	KEY	M-TAP x DEPTH
3.625	+0.0000 -0.0010	4.01	6.69	-	7/8 x 7/8 x 5-5/8	1-8 UNC x 1.97
90	+0.035 +0.013	95	170	15	25 x 14 x 140	M24 x 50

Optional Output Shaft

Dimension - Inch/MM

ØU	tol.	UY	V	VO	KEY	M-TAP x DEPTH
4.000	+0.0000 -0.0010	4.44	8.27	-	1 x 1 x 7-1/8	1-8 UNC x 1.97
100	+0.035 +0.013	106	210	15	28 x 16 x 180	M24 x 50

Separate Input

Dimension - Inch/MM

	H148 Double		H148 Triple		FO	FM x Depth	ØFU	tol.	FV	YA	YB	KEY
	C	ZC	C	ZC								
100	-	-	23.78	7.60	-	3/8-16 UNC x 0.87	1.125	+0.0000 -0.0005	2.36	3.27	0.16	1/4 x 1/4 x 2
	-	-	604	193	5	M10 x 22	28	+0.015 +0.002	60			8 x 7 x 50
112	-	-	23.66	7.48	-	3/8-16 UNC x 0.87	1.250	+0.0000 -0.0005	2.36	3.27	0.16	1/4 x 1/4 x 2
	-	-	601	190	5	M10 x 22	28	+0.015 +0.002	60			8 x 7 x 50
132	25.43	9.25	26.93	10.75	-	3/8-16 UNC x 1.10	1.375	+0.0000 -0.0005	3.15	6.61	0.14	5/16 x 5/16 x 2-3/4
	646	235	684	273	5	M12 x 28	38	+0.018 +0.002	80			10 x 8 x 70
160	26.97	10.74	28.46	12.28	-	5/8-11 UNC x 1.42	1.625	+0.0000 -0.0010	4.33	8.46	0.14	3/8 x 3/8 x 3-1/2
	685	274	723	312	10	M16 x 36	42	+0.018 +0.002	110			12 x 8 x 90
180	27.87	11.69	29.37	13.19	-	3/4-10 UNC x 1.65	2.125	+0.0000 -0.0010	4.33	9.25	0.16	1/2 x 1/2 x 3-5/8
	708	297	746	335	10	M20 x 42	55	+0.030 +0.011	110			16 x 10 x 90
225	28.98	12.80	30.47	14.29	-	3/4-10 UNC x 1.65	2.125	+0.0000 -0.0010	4.33	9.02	0.14	1/2 x 1/2 x 3-5/8
	766	355	804	393	15	M20 x 42	60	+0.030 +0.011	140			259
250	30.12	13.94	-	-	-	3/4-10 UNC x 1.65	2.375	+0.0000 -0.0010	5.51	10.20	0.14	5/8 x 5/8 x 4-3/8
	765	354	-	-	15	M20 x 42	65	+0.030 +0.011	140			18 x 11 x 110

Refer to page Engineering-4 for Input Shaft and Flange details.

NOMENCLATURE PAGE ILH-4	MOUNTING POSITIONS PAGE ILH-7	STOCK/NON-STOCK PART NUMBERS PAGE ILH-67	WEIGHTS PAGE ILH-343
----------------------------	----------------------------------	---	-------------------------

DIMENSIONS



QUANTIS

QUANTIS GOLD

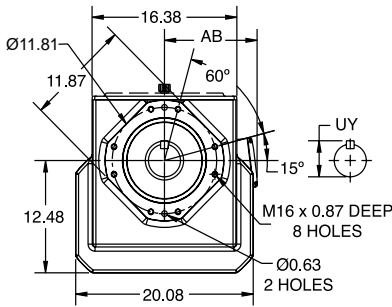
ILH

RHB

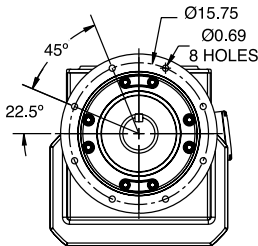
MSM

IN-LINE HELICAL GEAR REDUCER (ILH) Integral Gearmotor - Flange Mounted (B5 / B14) Double/Triple Reduction

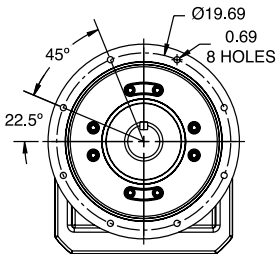
SIZE: HF148



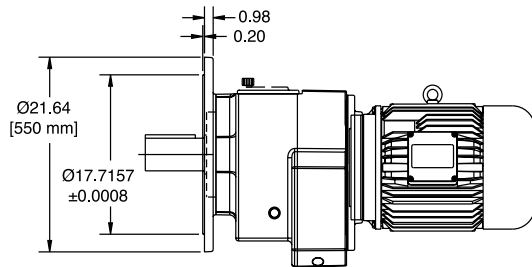
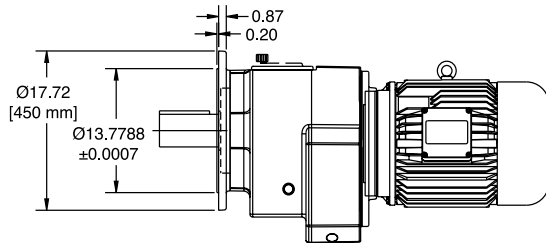
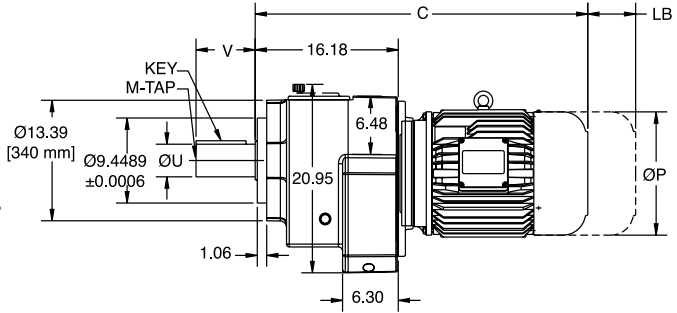
**B14 OUTPUT FLANGE -
Ø340mm**



**B5 OUTPUT FLANGE -
Ø450mm**



**B5 OUTPUT FLANGE -
Ø550mm**



METRIC OUTPUT SHAFT



NOMENCLATURE PAGE ILH-4	MOUNTING POSITIONS PAGE ILH-7	STOCK/NON-STOCK PART NUMBERS PAGE ILH-67	WEIGHTS PAGE ILH-343
----------------------------	----------------------------------	---	-------------------------

DIMENSIONS



IN-LINE HELICAL GEAR REDUCER (ILH) Integral Gearmotor - Flange Mounted (B5 / B14) Double/Triple Reduction

SIZE: HF148

Standard Output Shaft		Dimension - Inch/MM				
ØU	tol.	UY	V	VO	KEY	M-TAP x DEPTH
3.625	+0.0000 -0.0010	4.01	6.69	-	7/8 x 7/8 x 5-5/8	1-8 UNC x 1.97
90	+0.035 +0.013	95	170	15	25 x 14 x 140	M24 x 50

Optional Output Shaft		Dimension - Inch/MM				
ØU	tol.	UY	V	VO	KEY	M-TAP x DEPTH
4.000	+0.0000 -0.0010	4.44	8.27	-	1 x 1 x 7-1/8	1-8 UNC x 1.97
100	+0.035 +0.013	106	210	15	28 x 16 x 180	M24 x 50

Motor Frame	Dimension - Inch/MM					
	H148 Double		H148 Triple		P	AB
	C	LB	C	LB		
100J4	-	-	30.41	2.91	7.19	5.79
			773	74	183	148
112L4	-	-	32.01	2.91	8.6	6.88
			814	74	219	175
132M4	31.99	3.9	33.48	3.9	10.28	8.09
	813	99	851	99	262	206
132N4	33.49	3.9	34.98	3.9	10.28	8.09
	851	99	889	99	262	206

NOMENCLATURE PAGE ILH-4	MOUNTING POSITIONS PAGE ILH-7	STOCK/NON-STOCK PART NUMBERS PAGE ILH-67	WEIGHTS PAGE ILH-343
----------------------------	----------------------------------	---	-------------------------

DIMENSIONS



QUANTIS

QUANTIS GOLD

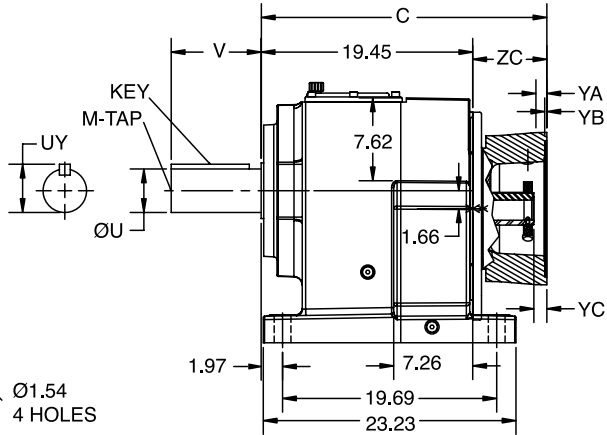
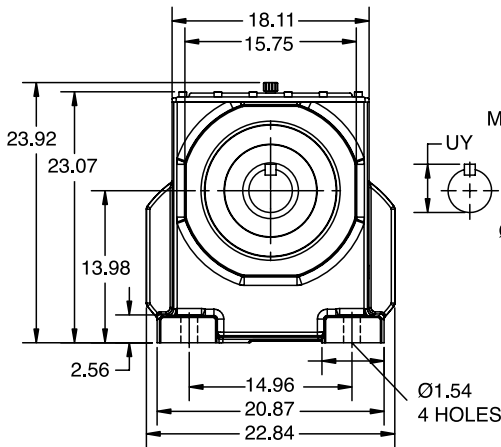
ILH

RHB

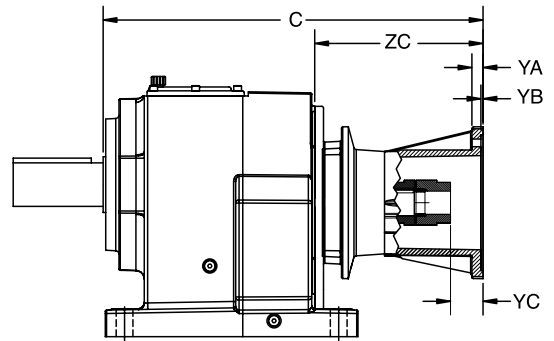
MSM

IN-LINE HELICAL GEAR REDUCER (ILH) NEMA C-Face - Foot Mounted - Clamp Collar / 3 Piece Coupled Double/Triple Reduction

SIZE: HB168

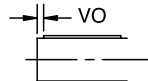


CLAMP COLLAR



THREE-PIECE COUPLED

METRIC OUTPUT SHAFT



NOMENCLATURE PAGE ILH-4	MOUNTING POSITIONS PAGE ILH-7	STOCK/NON-STOCK PART NUMBERS PAGE ILH-67	WEIGHTS PAGE ILH-343
----------------------------	----------------------------------	---	-------------------------

IN-LINE HELICAL GEAR REDUCER (ILH) NEMA C-Face - Foot Mounted - Clamp Collar / 3 Piece Coupled Double/Triple Reduction

SIZE: HB168

Standard Output Shaft					Dimension - Inch/MM	
ØU	tol.	UY	V	VO	KEY	M-TAP x DEPTH
4.000	+0.0000 -0.0010	4.44	8.27	-	1 x 1 x 7-1/8	1-8 UNC x 1.97
100	+0.035 +0.013	106	210	15	28 x 16 x 180	M24 x 50

Optional Output Shaft					Dimension - Inch/MM	
ØU	tol.	UY	V	VO	KEY	M-TAP x DEPTH
4.750	+0.0000 -0.0010	4.44	8.27	-	1-1/4 x 1-1/4 x 7	1-8 UNC x 1.97
120	+0.035 +0.013	127	210	15	32 x 18 x 180	M24 x 50

NEMA Motor Adapter - Clamp Collar					Dimension - Inch		
	H168 Double		H168 Triple		YA	YB	YC
	C	ZC	C	ZC			
210TC	24.07	4.62	25.69	6.24	0.69	0.22	0.89
250TC	23.83	4.38	25.45	6.00	0.95	0.20	1.13
280TC	24.75	5.30	26.36	6.91	0.95	0.20	1.30
320TC	26.34	6.89	27.95	8.50	1.02	0.20	1.19
360TC	28.07	8.62	29.68	10.23	1.02	0.20	1.48

NEMA Motor Adapter - 3 Piece Coupled					Dimension - Inch		
	H168 Double		H168 Triple		YA	YB	YC
	C	ZC	C	ZC			
210TC	27.84	8.39	29.45	10.00	0.87	0.22	2.01
250TC	29.61	10.16	31.22	11.77	0.95	0.20	2.17
280TC	32.42	12.97	34.04	14.59	0.95	0.20	2.57
320TC	34.92	15.47	36.54	17.09	1.02	0.20	2.99
360TC	35.97	16.52	37.58	18.13	1.02	0.20	3.26

Refer to page Engineering-2 for Input Shaft and Flange details

NOMENCLATURE PAGE ILH-4	MOUNTING POSITIONS PAGE ILH-7	STOCK/NON-STOCK PART NUMBERS PAGE ILH-67	WEIGHTS PAGE ILH-343
----------------------------	----------------------------------	---	-------------------------

DIMENSIONS



QUANTIS

QUANTIS GOLD

ILH

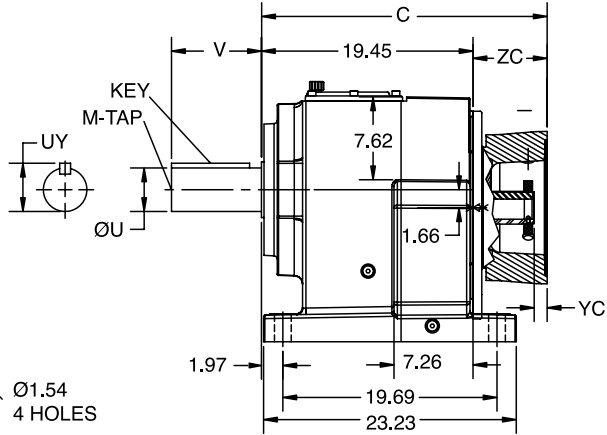
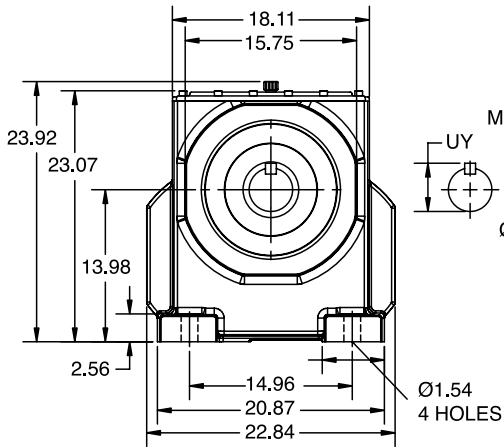
RHB

MSM

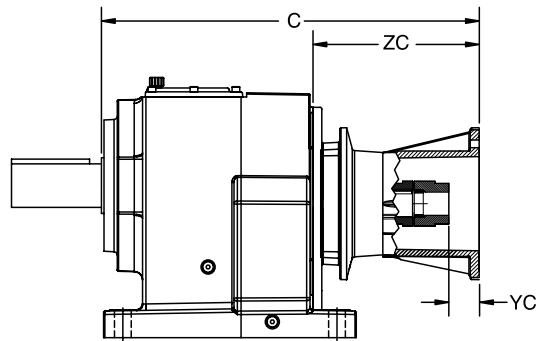
IN-LINE HELICAL GEAR REDUCER (ILH)

SIZE: HB168

IEC D Flange (B5 Input) - Foot Mounted - Clamp Collar / 3 Piece Coupled
Double/Triple Reduction

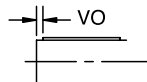


CLAMP COLLAR



THREE-PIECE COUPLED

METRIC OUTPUT SHAFT



NOMENCLATURE PAGE ILH-4	MOUNTING POSITIONS PAGE ILH-7	STOCK/NON-STOCK PART NUMBERS PAGE ILH-67	WEIGHTS PAGE ILH-343
----------------------------	----------------------------------	---	-------------------------

DIMENSIONS



IN-LINE HELICAL GEAR REDUCER (ILH)

SIZE: HB168

IEC D Flange (B5 Input) - Foot Mounted - Clamp Collar / 3 Piece Coupled
Double/Triple Reduction

Standard Output Shaft					Dimension - Inch/MM	
ØU	tol.	UY	V	VO	KEY	M-TAP x DEPTH
4.000	+0.0000 -0.0010	4.44	8.27	-	1 x 1 x 7-1/8	1-8 UNC x 1.97
100	+0.035 +0.013	106	210	15	28 x 16 x 180	M24 x 50

Optional Output Shaft					Dimension - Inch/MM	
ØU	tol.	UY	V	VO	KEY	M-TAP x DEPTH
4.750	+0.0000 -0.0010	4.44	8.27	-	1-1/4 x 1-1/4 x 7	1-8 UNC x 1.97
120	+0.035 +0.013	127	210	15	32 x 18 x 180	M24 x 50

	H168 Double				H168 Triple		YC
	C		ZC		C		
	C	ZC	C	ZC	C	ZC	
132D	22.34	2.89	23.96	4.51	0.87		
160D	23.86	4.41	25.47	6.02	0.79		
180D	24.51	5.06	26.12	6.67	0.85		
200D	24.90	5.45	26.52	7.07	1.18		

	H168 Double				H168 Triple		YC
	C		ZC		C		
	C	ZC	C	ZC	C	ZC	
132D	27.60	8.15	29.21	9.76	1.77		
160D	30.04	10.59	31.65	12.20	2.60		
180D	32.15	12.70	33.76	14.31	2.32		
200D	32.19	12.74	33.80	14.35	2.36		
225D	35.47	16.02	37.09	17.64	3.54		
250D	35.65	16.20	37.26	17.81	2.95		

Refer to page Engineering-3 for Input Shaft and Flange details

NOMENCLATURE PAGE ILH-4	MOUNTING POSITIONS PAGE ILH-7	STOCK/NON-STOCK PART NUMBERS PAGE ILH-67	WEIGHTS PAGE ILH-343
----------------------------	----------------------------------	---	-------------------------

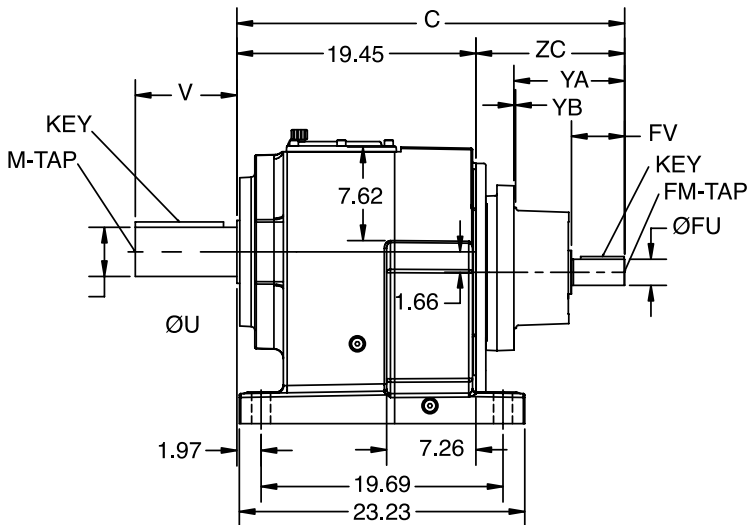
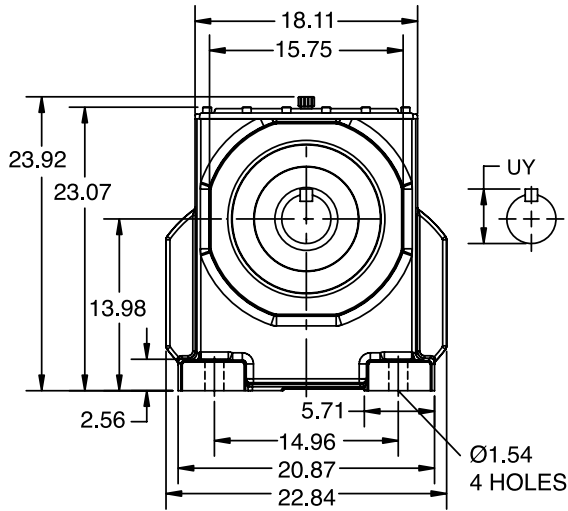
DIMENSIONS



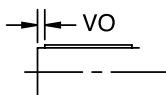
IN-LINE HELICAL GEAR REDUCER (ILH)

SIZE: HB168

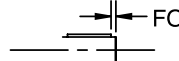
Separate - Foot Mounted
Double/Triple Reduction



METRIC OUTPUT SHAFT



METRIC INPUT SHAFT



NOMENCLATURE
PAGE ILH-4

MOUNTING POSITIONS
PAGE ILH-7

STOCK/NON-STOCK PART NUMBERS
PAGE ILH-67

WEIGHTS
PAGE ILH-343

DIMENSIONS



IN-LINE HELICAL GEAR REDUCER (ILH)

SIZE: HB168

Separate - Foot Mounted
Double/Triple Reduction

Standard Output Shaft					Dimension - Inch/MM	
ØU	tol.	UY	V	VO	KEY	M-TAP x DEPTH
4.000	+0.0000 -0.0010	4.44	8.27	-	1 x 1 x 7-1/8	1-8 UNC x 1.97
100	+0.035 +0.013	106	210	15	28 x 16 x 180	M24 x 50

Optional Output Shaft					Dimension - Inch/MM	
ØU	tol.	UY	V	VO	KEY	M-TAP x DEPTH
4.750	+0.0000 -0.0010	4.44	8.27	-	1-1/4 x 1-1/4 x 7	1-8 UNC x 1.97
120	+0.035 +0.013	127	210	15	32 x 18 x 180	M24 x 50

Separate Input					Dimension - Inch/MM							
	H168 Double		H168 Triple		FO	FM x Depth	ØFU	tol.	FV	YA	YB	KEY
	C	ZC	C	ZC								
132	28.11	8.66	29.73	10.28	-	3/8-16 UNC x 1.10	1.375	+0.0000 -0.0005	3.15	6.61	0.14	5/16 x 5/16 x 2-3/4
	714	220	755	261	5	M12 x 28	38	+0.018 +0.002	80			10 x 8 x 70
160	29.65	10.20	31.26	11.81	-	5/8-11 UNC x 1.42	1.625	+0.0000 -0.0010	4.33	8.46	0.20	3/8 x 3/8 x 3-1/2
	753	259	794	300	10	M16 x 36	42	+0.018 +0.002	110			12 x 8 x 90
180	30.59	11.14	32.21	12.76	-	3/4-10 UNC x 1.65	2.125	+0.0000 -0.0010	4.33	9.25	0.20	1/2 x 1/2 x 3-5/8
	777	283	818	324	10	M20 x 42	55	+0.030 +0.011	110			16 x 10 x 90
225	31.65	12.20	33.27	13.82	-	3/4-10 UNC x 1.65	2.125	+0.0000 -0.0010	4.33	9.02	0.20	1/2 x 1/2 x 3-5/8
	834	340	875	381	15	M20 x 42	60	+0.030 +0.011	140			18 x 11 x 110
250	32.84	13.39	34.45	15.00	-	3/4-10 UNC x 1.65	2.375	+0.0000 -0.0010	5.51	10.20	0.20	5/8 x 5/8 x 4-3/8
	834	340	875	381	15	M20 x 42	65	+0.030 +0.011	140			18 x 11 x 110

Refer to page Engineering-4 for Input Shaft and Flange details.

NOMENCLATURE PAGE ILH-4	MOUNTING POSITIONS PAGE ILH-7	STOCK/NON-STOCK PART NUMBERS PAGE ILH-67	WEIGHTS PAGE ILH-343
----------------------------	----------------------------------	---	-------------------------

DIMENSIONS



QUANTIS

QUANTIS GOLD

ILH

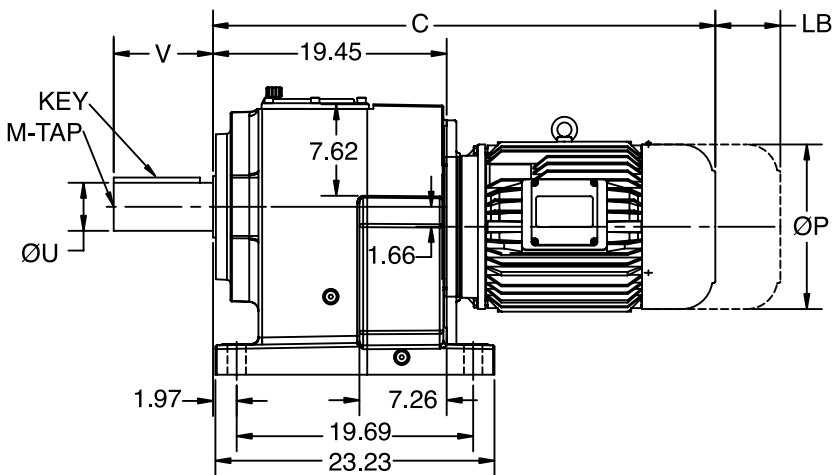
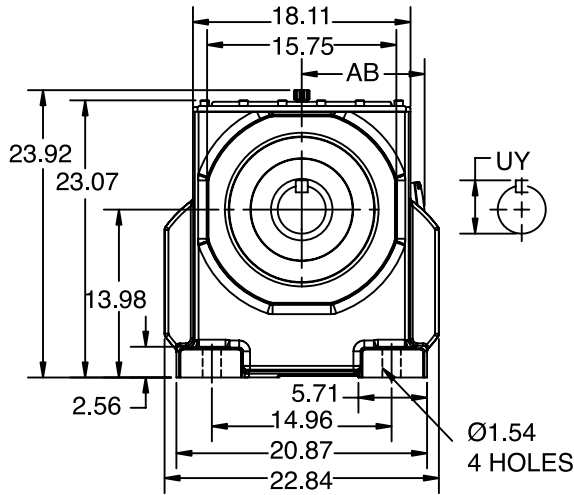
RHB

MSM

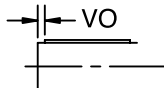
IN-LINE HELICAL GEAR REDUCER (ILH)

Integral Gearmotor - Foot Mounted
Double/Triple Reduction

SIZE: HB168



METRIC OUTPUT SHAFT



NOMENCLATURE
PAGE ILH-4

MOUNTING POSITIONS
PAGE ILH-7

STOCK/NON-STOCK PART NUMBERS
PAGE ILH-67

WEIGHTS
PAGE ILH-343

DIMENSIONS



IN-LINE HELICAL GEAR REDUCER (ILH)

SIZE: HB168

Integral Gearmotor - Foot Mounted

Double/Triple Reduction

Standard Output Shaft

Dimension - Inch/MM

ØU	tol.	UY	V	VO	KEY	M-TAP x DEPTH
4.000	+0.0000 -0.0010	4.44	8.27	-	1 x 1 x 7-1/8	1-8 UNC x 1.97
100	+0.035 +0.013	106	210	15	28 x 16 x 180	M24 x 50

Optional Output Shaft

Dimension - Inch/MM

ØU	tol.	UY	V	VO	KEY	M-TAP x DEPTH
4.750	+0.0000 -0.0010	4.44	8.27	-	1-1/4 x 1-1/4 x 7	1-8 UNC x 1.97
120	+0.035 +0.013	127	210	15	32 x 18 x 180	M24 x 50

Motor

Dimension - Inch/MM

Frame	H168 Double		H168 Triple		P	AB
	C	LB	C	LB		
132M4	34.68	3.9	36.3	3.9	10.28	8.09
	881	99	923	99	262	206
132N4	36.18	3.9	37.8	3.9	10.28	8.09
	919	99	961	99	262	206

NOMENCLATURE
PAGE ILH-4

MOUNTING POSITIONS
PAGE ILH-7

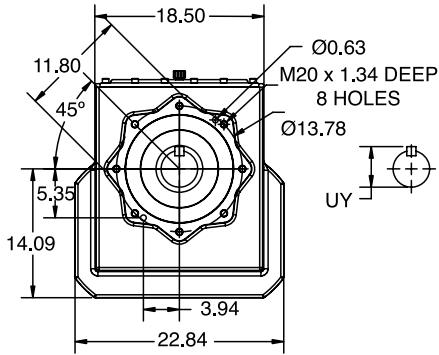
STOCK/NON-STOCK PART NUMBERS
PAGE ILH-67

WEIGHTS
PAGE ILH-343

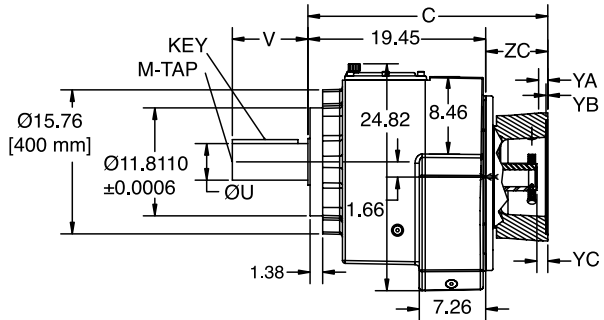
IN-LINE HELICAL GEAR REDUCER (ILH)

SIZE: HF168

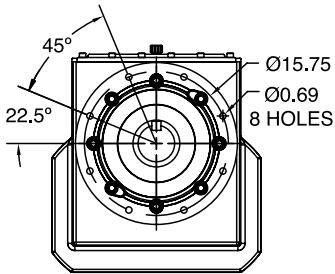
NEMA C-Face - Flange Mounted (B5 / B14) - Clamp Collar / 3 Piece Coupled
Double/Triple Reduction



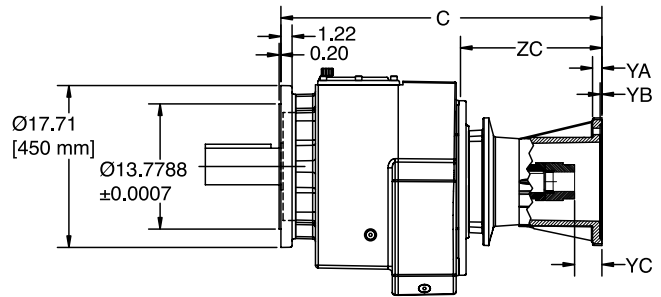
**B4 OUTPUT FLANGE -
Ø400mm**



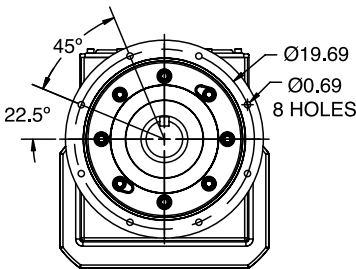
CLAMP COLLAR



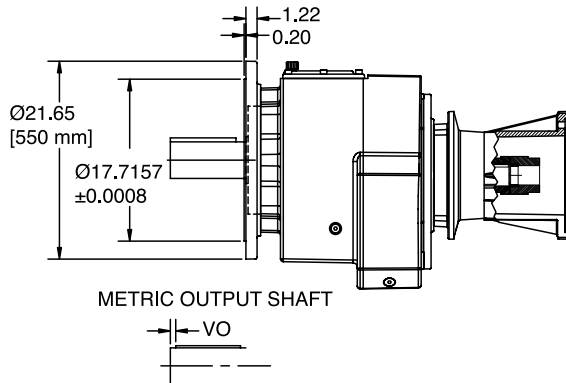
**B5 OUTPUT FLANGE -
Ø450mm**



THREE-PIECE COUPLED



**B5 OUTPUT FLANGE -
Ø550mm**



METRIC OUTPUT SHAFT

NOMENCLATURE PAGE ILH-4	MOUNTING POSITIONS PAGE ILH-7	STOCK/NON-STOCK PART NUMBERS PAGE ILH-67	WEIGHTS PAGE ILH-343
----------------------------	----------------------------------	---	-------------------------

DIMENSIONS



IN-LINE HELICAL GEAR REDUCER (ILH)

SIZE: HF168

NEMA C-Face - Flange Mounted (B5 / B14) - Clamp Collar / 3 Piece Coupled
Double/Triple Reduction

Standard Output Shaft

Dimension - Inch/MM

ØU	tol.	UY	V	VO	KEY	M-TAP x DEPTH
4.000	+0.0000 -0.0010	4.44	8.27	-	1 x 1 x 7-1/8	1-8 UNC x 1.97
100	+0.035 +0.013	106	210	15	28 x 16 x 180	M24 x 50

Optional Output Shaft

Dimension - Inch/MM

ØU	tol.	UY	V	VO	KEY	M-TAP x DEPTH
4.750	+0.0000 -0.0010	4.44	8.27	-	1-1/4 x 1-1/4 x 7	1-8 UNC x 1.97
120	+0.035 +0.013	127	210	15	32 x 18 x 180	M24 x 50

NEMA Motor Adapter - Clamp Collar

Dimension - Inch

	H168 Double		H168 Triple		YA	YB	YC
	C	ZC	C	ZC			
210TC	24.07	4.62	25.69	6.24	0.69	0.22	0.89
250TC	23.83	4.38	25.45	6.00	0.95	0.20	1.13
280TC	24.75	5.30	26.36	6.91	0.95	0.20	1.30
320TC	26.34	6.89	27.95	8.50	1.02	0.20	1.19
360TC	28.07	8.62	29.68	10.23	1.02	0.20	1.48

NEMA Motor Adapter - 3 Piece Coupled

Dimension - Inch

	H168 Double		H168 Triple		YA	YB	YC
	C	ZC	C	ZC			
210TC	27.84	8.39	29.45	10.00	0.87	0.22	2.01
250TC	29.61	10.16	31.22	11.77	0.95	0.20	2.17
280TC	32.42	12.97	34.04	14.59	0.95	0.20	2.57
320TC	34.92	15.47	36.54	17.09	1.02	0.20	2.99
360TC	35.97	16.52	37.58	18.13	1.02	0.20	3.26

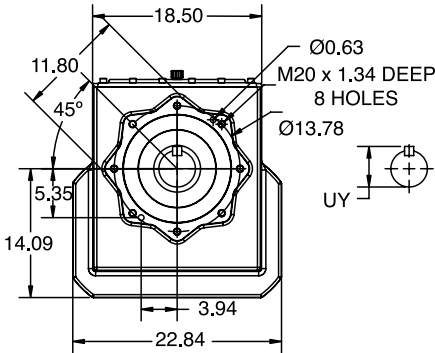
Refer to page Engineering-2 for Input Shaft and Flange details.

NOMENCLATURE PAGE ILH-4	MOUNTING POSITIONS PAGE ILH-7	STOCK/NON-STOCK PART NUMBERS PAGE ILH-67	WEIGHTS PAGE ILH-343
----------------------------	----------------------------------	---	-------------------------

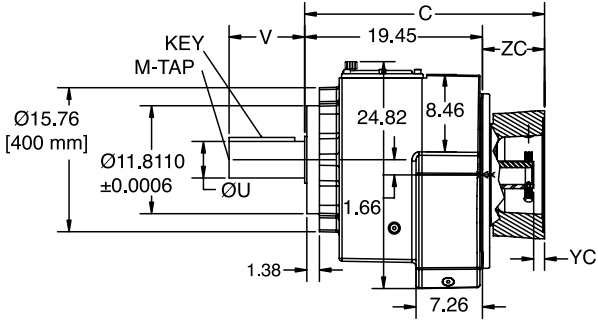
IN-LINE HELICAL GEAR REDUCER (ILH)

SIZE: HF168

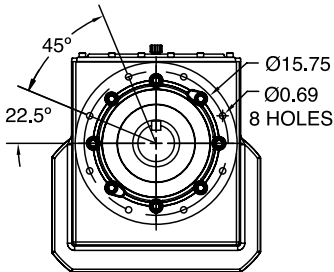
IEC D Flange (B5 Input) - Flange Mounted (B5 / B14) - Clamp Collar / 3 Piece Coupled
Double/Triple Reduction



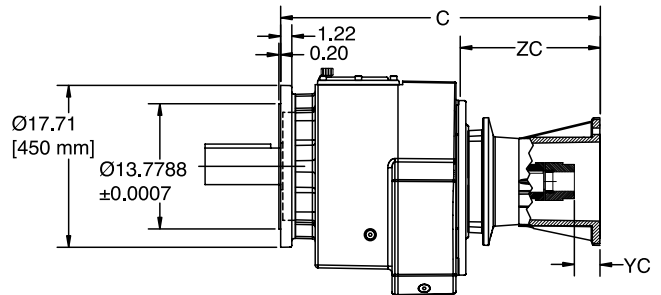
B14 OUTPUT FLANGE - Ø400mm



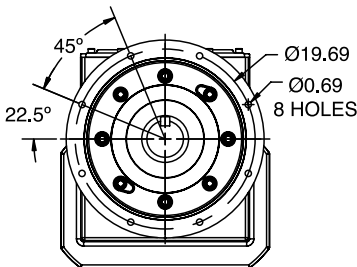
CLAMP COLLAR



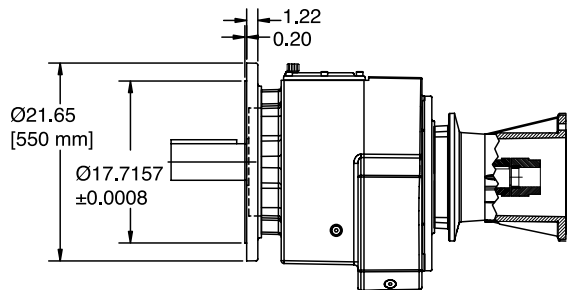
B5 OUTPUT FLANGE - Ø450mm



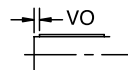
THREE-PIECE COUPLED



B5 OUTPUT FLANGE - Ø550mm



METRIC OUTPUT SHAFT



NOMENCLATURE PAGE ILH-4	MOUNTING POSITIONS PAGE ILH-7	STOCK/NON-STOCK PART NUMBERS PAGE ILH-67	WEIGHTS PAGE ILH-343
----------------------------	----------------------------------	---	-------------------------

IN-LINE HELICAL GEAR REDUCER (ILH)

SIZE: HF168

IEC D Flange (B5 Input) - Flange Mounted (B5 / B14) - Clamp Collar / 3 Piece Coupled
Double/Triple Reduction

Standard Output Shaft

Dimension - Inch/MM

ØU	tol.	UY	V	VO	KEY	M-TAP x DEPTH
4.000	+0.0000 -0.0010	4.44	8.27	-	1 x 1 x 7-1/8	1-8 UNC x 1.97
100	+0.035 +0.013	106	210	15	28 x 16 x 180	M24 x 50

Optional Output Shaft

Dimension - Inch/MM

ØU	tol.	UY	V	VO	KEY	M-TAP x DEPTH
4.750	+0.0000 -0.0010	4.44	8.27	-	1-1/4 x 1-1/4 x 7	1-8 UNC x 1.97
120	+0.035 +0.013	127	210	15	32 x 18 x 180	M24 x 50

IEC Motor Adapter - Clamp Collar

Dimension - Inch

	H168 Double		H168 Triple		YC
	C	ZC	C	ZC	
132D	22.34	2.89	23.96	4.51	0.87
160D	23.86	4.41	25.47	6.02	0.79
180D	24.51	5.06	26.12	6.67	0.85
200D	24.90	5.45	26.52	7.07	1.18

IEC Motor Adapter - 3 Piece Coupled

Dimension - Inch

	H168 Double		H168 Triple		YC
	C	ZC	C	ZC	
132D	27.60	8.15	29.21	9.76	1.77
160D	30.04	10.59	31.65	12.20	2.60
180D	32.15	12.70	33.76	14.31	2.32
200D	32.19	12.74	33.80	14.35	2.36
225D	35.47	16.02	37.09	17.64	3.54
250D	35.65	16.20	37.26	17.81	2.95

Refer to page Engineering-3 for Input Shaft and Flange details

NOMENCLATURE PAGE ILH-4	MOUNTING POSITIONS PAGE ILH-7	STOCK/NON-STOCK PART NUMBERS PAGE ILH-67	WEIGHTS PAGE ILH-343
----------------------------	----------------------------------	---	-------------------------

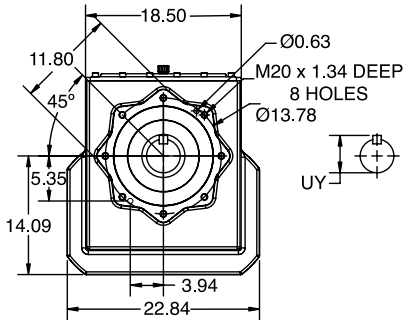
DIMENSIONS



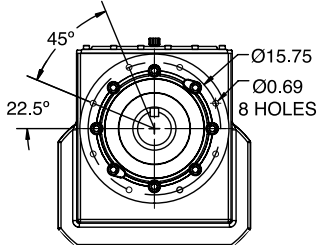
IN-LINE HELICAL GEAR REDUCER (ILH)

SIZE: HF168

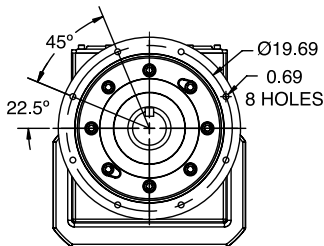
Separate - Flange Mounted (B5 / B14)
Double/Triple Reduction



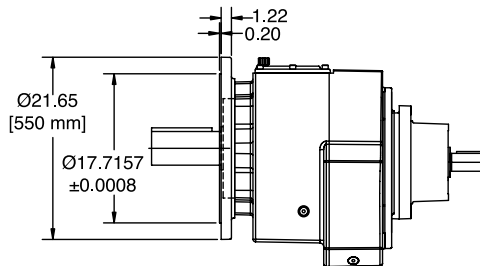
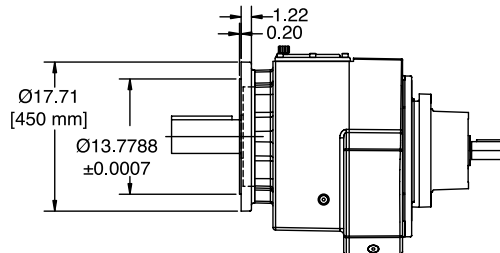
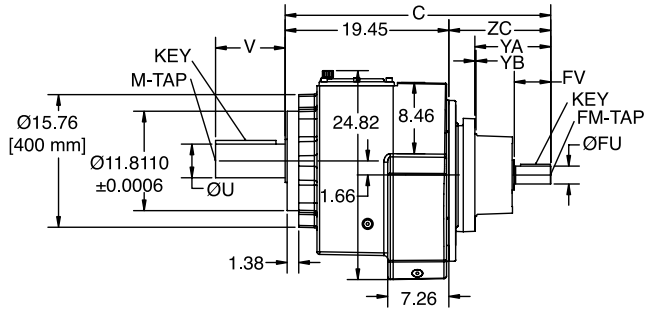
**B14 OUTPUT FLANGE -
Ø400mm**



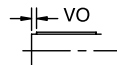
**B5 OUTPUT FLANGE -
Ø450mm**



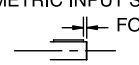
**B5 OUTPUT FLANGE -
Ø550mm**



METRIC OUTPUT SHAFT



METRIC INPUT SHAFT



NOMENCLATURE
PAGE ILH-4

MOUNTING POSITIONS
PAGE ILH-7

STOCK/NON-STOCK PART NUMBERS
PAGE ILH-67

WEIGHTS
PAGE ILH-343

DIMENSIONS



IN-LINE HELICAL GEAR REDUCER (ILH) Separate - Flange Mounted (B5 / B14) Double/Triple Reduction

SIZE: HF168

Standard Output Shaft					Dimension - Inch/MM	
ØU	tol.	UY	V	VO	KEY	M-TAP x DEPTH
4.000	+0.0000 -0.0010	4.44	8.27	-	1 x 1 x 7-1/8	1-8 UNC x 1.97
100	+0.035 +0.013	106	210	15	28 x 16 x 180	M24 x 50

Optional Output Shaft					Dimension - Inch/MM	
ØU	tol.	UY	V	VO	KEY	M-TAP x DEPTH
4.750	+0.0000 -0.0010	4.44	8.27	-	1-1/4 x 1-1/4 x 7	1-8 UNC x 1.97
120	+0.035 +0.013	127	210	15	32 x 18 x 180	M24 x 50

Separate Input										Dimension - Inch/MM		
	H168 Double		H168 Triple		FO	FM x Depth	ØFU	tol.	FV	YA	YB	KEY
	C	ZC	C	ZC								
132	28.11	8.66	29.73	10.28	-	3/8-16 UNC x 1.10	1.375	+0.0000 -0.0005 +0.018 +0.002	3.15	6.61	0.14	5/16 x 5/16 x 2-3/4 10 x 8 x 70
	714	220	755	261	5	M12 x 28	38		80			
160	29.65	10.20	31.26	11.81	-	5/8-11 UNC x 1.42	1.625	+0.0000 -0.0010 +0.018 +0.002	4.33	8.46	0.14	3/8 x 3/8 x 3-1/2 12 x 8 x 90
	753	259	794	300	10	M16 x 36	42		110			
180	30.59	11.14	32.21	12.76	-	3/4-10 UNC x 1.65	2.125	+0.0000 -0.0010 +0.030 +0.011	4.33	9.25	0.16	1/2 x 1/2 x 3-5/8 16 x 10 x 90
	777	283	818	324	10	M20 x 42	55		110			
225	31.65	12.20	33.27	13.82	-	3/4-10 UNC x 1.65	2.125	+0.0000 -0.0010 +0.030 +0.011	4.33	9.02	0.14	1/2 x 1/2 x 3-5/8 18 x 11 x 110
	834	340	875	381	15	M20 x 42	60		140			
250	32.84	13.39	34.45	15.00	-	3/4-10 UNC x 1.65	2.375	+0.0000 -0.0010 +0.030 +0.011	5.51	10.20	0.14	5/8 x 5/8 x 4-3/8 18 x 11 x 110
	834	340	875	381	15	M20 x 42	65		140			

Refer to page Engineering-4 for Input Shaft and Flange details.

NOMENCLATURE PAGE ILH-4	MOUNTING POSITIONS PAGE ILH-7	STOCK/NON-STOCK PART NUMBERS PAGE ILH-67	WEIGHTS PAGE ILH-343
----------------------------	----------------------------------	---	-------------------------

DIMENSIONS



IN-LINE HELICAL GEAR REDUCER (ILH) Integral Gearmotor - Flange Mounted (B5 / B14) Double/Triple Reduction

SIZE: HF168

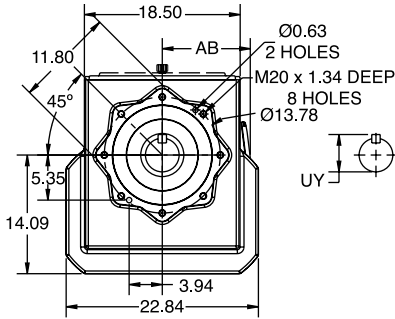
QUANTIS

QUANTIS GOLD

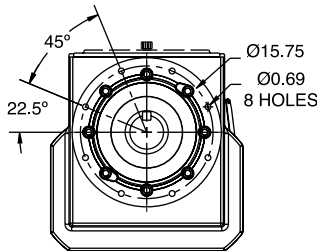
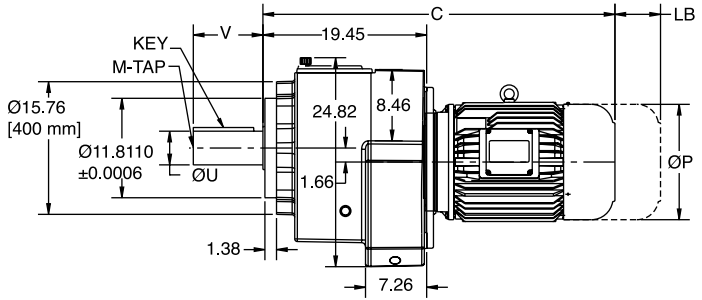
ILH

RHB

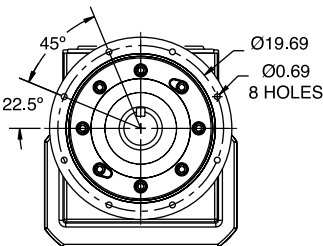
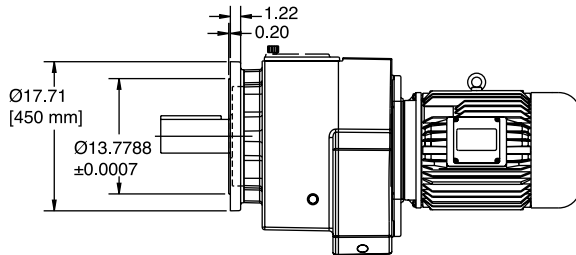
MSM



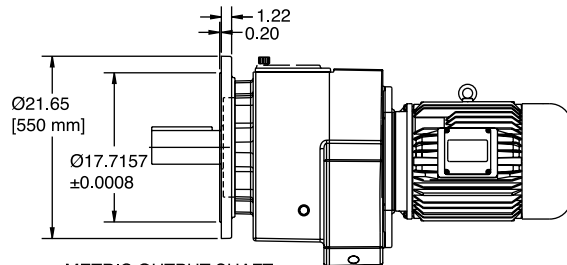
**B14 OUTPUT FLANGE -
Ø400mm**



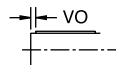
**B5 OUTPUT FLANGE -
Ø450mm**



**B5 OUTPUT FLANGE -
Ø550mm**



METRIC OUTPUT SHAFT



NOMENCLATURE
PAGE ILH-4

MOUNTING POSITIONS
PAGE ILH-7

STOCK/NON-STOCK PART NUMBERS
PAGE ILH-67

WEIGHTS
PAGE ILH-343

DIMENSIONS



IN-LINE HELICAL GEAR REDUCER (ILH) Integral Gearmotor - Flange Mounted (B5 / B14) Double/Triple Reduction

SIZE: HF168

Standard Output Shaft					Dimension - Inch/MM	
ØU	tol.	UY	V	VO	KEY	M-TAP x DEPTH
4.000	+0.0000 -0.0010	4.44	8.27	-	1 x 1 x 7-1/8	1-8 UNC x 1.97
100	+0.035 +0.013	106	210	15	28 x 16 x 180	M24 x 50

Optional Output Shaft					Dimension - Inch/MM	
ØU	tol.	UY	V	VO	KEY	M-TAP x DEPTH
4.750	+0.0000 -0.0010	4.44	8.27	-	1-1/4 x 1-1/4 x 7	1-8 UNC x 1.97
120	+0.035 +0.013	127	210	15	32 x 18 x 180	M24 x 50

Motor Frame	Dimension - Inch/MM					
	H168 Double		H168 Triple		P	AB
	C	LB	C	LB		
132M4	34.68	3.9	36.3	3.9	10.28	8.09
	881	99	923	99	262	206
132N4	36.18	3.9	37.8	3.9	10.28	8.09
	919	99	961	99	262	206

QUANTIS

QUANTIS GOLD

ILH

RHB

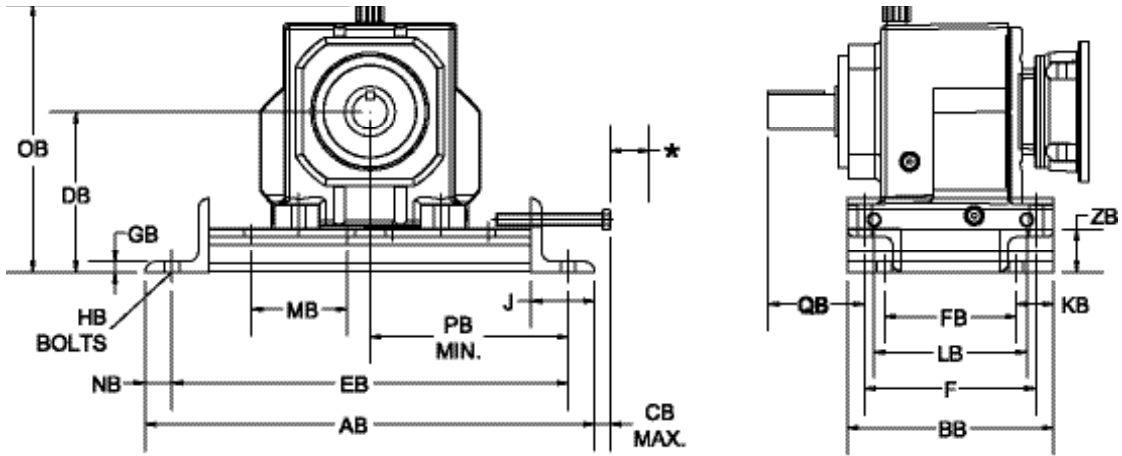
MSM

NOMENCLATURE PAGE ILH-4	MOUNTING POSITIONS PAGE ILH-7	STOCK/NON-STOCK PART NUMBERS PAGE ILH-67	WEIGHTS PAGE ILH-343
----------------------------	----------------------------------	---	-------------------------

SLIDE BASE



QUANTIS ILH Slide Base



The QUANTIS ILH slide base positions the reducer, providing simplified installation and servicing of belt and chain drives. When a change in reducer position is desired, simply loosen reducer hold down bolts and slide reducer by using the adjusting screw provided. After desired belt or chain tension has been obtained, retighten reducer bolts and units are ready to operate

Unit Size	Module Number	AB	BB	CB	DB	EB	F	FB	GB	HB	J	KB	LB	MB	NB	OB	PB	QB +	ZB	*	Weight (lbs.)
38	091826	14.50	6.31	1.69	4.85	12.75	5.12	4.38	0.38	1/2"	2.50	1.00	5.12	3.00	0.88	8.36	5.67	2.95	1.31	2.94	9
48	091827	18.75	7.88	0.97	6.59	16.00	6.50	5.88	0.50	1/2"	3.00	1.00	6.50	4.00	1.38	10.86	7.38	3.54	2.06	3.66	22
68	091828	21.13	9.69	1.28	7.57	18.63	8.07	6.19	0.50	5/8"	3.00	1.75	7.19	4.50	1.25	12.67	8.35	4.53	2.06	3.85	27
88	091829	23.84	12.25	1.04	9.65	21.34	10.24	8.75	0.50	5/8"	3.00	1.75	9.75	4.50	1.25	15.73	9.67	4.82	2.56	4.09	44
108	091830	27.25	14.38	2.59	11.96	24.50	12.20	10.88	0.75	3/4"	3.50	1.75	11.88	5.00	1.38	18.89	11.11	6.29	3.06	4.54	79
128	091831	35.44	17.25	1.67	13.90	31.44	14.56	13.75	0.75	1"	6.00	1.75	14.75	5.00	2.00	21.50	15.21	7.28	4.06	7.46	134
148	091832	38.25	19.31	3.23	17.46	34.25	16.14	15.81	1.00	1"	6.00	1.75	16.31	6.00	2.00	25.24	16.14	8.66	5.06	7.40	229
168	091833	41.19	23.25	5.83	19.04	36.69	19.69	17.75	1.00	1-1/2"	6.00	2.75	19.25	6.00	2.25	28.54	17.61	10.24	5.03	7.30	266

All dimensions are in inches

♣ Dimension is for standard inch shaft extension

* Minimum distance required to remove adjusting stud

Slide Base kits include (2) adjusting screws and the hardware required to mount the ILH reducer to the base. Slide Bases are designed to be used with ILH double/triple reduction reducers.

NOMENCLATURE PAGE ILH-4	MOUNTING POSITIONS PAGE ILH-7	STOCK/NON-STOCK PART NUMBERS PAGE ILH-67	WEIGHTS PAGE ILH-343
----------------------------	----------------------------------	---	-------------------------

Thermal Ratings - ILH 38

The Thermal HP ratings shown in the table below are based on an ambient temperature of 68° F, continuous operation and fan cooled motors. For ratings at other ambient temperatures, please consult Thermal Factors table below. Triple reduction units are not thermally limited. Shaded values indicate thermal limitations under the above conditions.

Ratio	1750 RPM								3450 RPM							
	Output Speed	Rated Power	Mounting Position						Output Speed	Rated Power	Mounting Position					
			A1	A2	A3	A4	A5, A6	A1			A2	A3	A4	A5, A6		
RPM	HP	HP	HP	HP	HP	HP	HP	RPM	HP	HP	HP	HP	HP	HP		
4.77	366.9	7.19	14.2	14.1	14.1	14.1	14.1	79.3	10.80	12.7	11.7	11.8	11.8	11.8		
5.55	315.3	6.80	13.4	13.4	13.3	13.3	13.3	89.2	10.21	12.2	11.6	11.6	11.7	11.6		
6.16	284.1	6.36	12.6	12.5	12.5	12.5	12.5	102.8	9.54	11.5	11.3	11.0	11.0	11.0		
6.71	260.8	6.01	12.7	12.7	12.7	12.7	12.7	110.1	9.02	11.8	11.4	11.4	11.5	11.4		
7.50	233.3	5.59	11.9	11.8	11.8	11.8	11.8	125.1	8.39	11.1	10.8	10.8	10.8	10.8		
7.52	232.7	5.75	10.1	10.0	10.0	10.0	10.0	142.9	8.63	9.1	8.4	8.6	8.7	8.6		
8.75	200.1	5.20	10.4	10.4	10.4	10.4	10.4	161.5	7.81	9.5	9.2	9.0	9.1	9.0		
9.70	180.4	4.86	9.7	9.7	9.7	9.7	9.7	178.2	7.29	8.9	8.5	8.6	8.8	8.6		
10.57	165.6	4.59	9.8	9.8	9.8	9.8	9.8	201.9	6.89	9.1	8.8	8.8	8.9	8.8		
11.82	148.1	4.26	9.2	9.1	9.1	9.1	9.1	223.8	6.39	8.6	8.3	8.3	8.4	8.3		
12.92	135.4	4.01	8.8	8.7	8.6	8.7	8.6	246.8	6.02	8.1	8.0	8.0	8.0	8.0		
14.18	123.4	3.77	8.3	8.3	8.4	8.4	8.4	270.9	5.66	7.8	7.7	7.7	7.7	7.7		
15.64	111.9	3.46	7.9	7.9	7.9	7.9	7.9	296.2	5.29	7.5	7.4	7.4	7.4	7.4		
17.33	101.0	3.12	7.5	7.5	7.5	7.5	7.5	331.2	4.94	7.2	7.1	7.0	7.1	7.0		
19.64	89.1	2.75	7.2	7.2	7.2	7.2	7.2	360.7	4.53	7.0	6.9	6.9	6.9	6.9		
21.67	80.8	2.49	6.7	6.7	6.7	6.7	6.7	400.2	4.24	6.5	6.4	6.4	6.4	6.4		
24.50	71.4	2.21	6.1	6.1	6.1	6.1	6.1	465.4	3.90	5.9	5.9	5.9	5.9	5.9		
27.97	62.6	1.93	6.2	6.1	6.1	6.1	6.1	466.7	3.56	6.0	5.9	5.9	6.0	5.9		
31.80	55.0	1.70	5.6	5.6	5.6	5.6	5.6	521.6	3.26	5.5	5.5	5.5	5.5	5.5		
34.04	51.4	1.59	5.5	5.5	5.5	5.5	5.5	568.2	3.01	5.3	5.4	5.4	5.4	5.4		
39.24	44.6	1.38	5.0	5.0	5.0	5.0	5.0	630.6	1.93	4.9	4.8	4.8	4.9	4.8		
44.12	39.7	0.86	4.6	4.6	4.6	4.6	4.6	733.8	1.52	4.5	4.5	4.5	4.5	4.5		

ILH Thermal Factors	
Ambient Temp (Deg. F)	Thermal Factor
0	1.78
20	1.56
40	1.34
60	1.11
68	1.00
80	0.88
100	0.63
120	0.44

Rated power as shown on the table above is for the largest available motor frame for a unit size and ratio. When using the factors in the table, compare result with the actual ratio and motor frame used.

Example: ILH 38, 10.57:1, 1750 RPM input speed, 140TC motor frame at 120 degree F ambient, A4 mounting position:

According to the table above, this unit is capable of 9.8 HP Thermally at 68 degree F. To convert this to the capability at 120 degrees F, multiply the rating by the factor in the Thermal Factors table (0.44). Actual Thermal Rating is $9.8 \times 0.44 = 4.3$ HP. The mechanical rating for the ILH 38, 10.57, 140TC frame is 4.59 HP. This unit is now thermally limited to a rating of 4.3 HP.

NOMENCLATURE PAGE ILH-4	MOUNTING POSITIONS PAGE ILH-7	SELECTION GEARMOTOR PAGE ILH-78	WEIGHTS PAGE ILH-343
----------------------------	----------------------------------	------------------------------------	-------------------------

THERMAL RATINGS



QUANTIS

QUANTIS GOLD

ILH

RHB

MSW

Thermal Ratings - ILH 48

The Thermal HP ratings shown in the table below are based on an ambient temperature of 68° F, continuous operation and fan cooled motors. For ratings at other ambient temperatures, please consult Thermal Factors table below. Triple reduction units are not thermally limited. Shaded values indicate thermal limitations under the above conditions.

Ratio	1750 RPM							3450 RPM						
	Output Speed RPM	Rated Power HP	Mounting Position					Output Speed RPM	Rated Power HP	Mounting Position				
			A1 HP	A2 HP	A3 HP	A4 HP	A5, A6 HP			A1 HP	A2 HP	A3 HP	A4 HP	A5, A6 HP
4.28	408.5	13.88	32.9	32.3	32.3	32.3	32.3	805.4	22.81	32.1	27.1	28.1	28.6	28.1
5.15	340.1	12.88	30.4	29.9	30.0	30.0	30.0	670.4	21.22	30.4	27.3	27.8	28.3	27.8
6.06	288.8	10.95	28.5	28.2	28.2	28.2	28.2	569.4	19.70	29.0	27.2	27.5	27.7	27.5
6.79	257.8	9.77	27.7	27.5	27.5	27.5	27.5	508.2	18.29	28.7	27.3	27.5	27.7	27.5
6.90	253.7	11.05	21.6	21.2	21.2	21.3	21.2	500.1	16.59	21.3	18.2	18.9	19.5	18.9
8.29	211.2	9.80	22.9	21.9	22.0	22.0	22.0	416.3	14.70	22.1	19.7	20.3	20.8	20.3
9.76	179.3	8.79	20.8	20.8	20.6	20.7	20.6	353.6	13.19	21.1	19.7	19.9	20.2	19.9
10.93	160.1	8.15	20.2	20.1	20.0	20.1	20.0	315.5	12.23	20.6	19.7	19.8	20.1	19.8
12.25	142.8	7.55	19.2	19.1	19.1	19.2	19.1	281.5	11.33	19.9	19.1	19.2	19.5	19.2
13.38	130.8	7.11	18.3	18.3	18.3	18.3	18.3	257.9	10.67	19.0	18.5	18.6	19.3	18.6
14.68	119.2	6.68	17.7	17.6	17.6	17.8	17.6	235.0	10.03	18.5	18.1	18.1	18.3	18.1
16.17	108.2	6.26	16.7	16.6	16.6	16.6	16.6	213.4	9.39	17.5	17.2	17.2	17.3	17.2
17.55	99.7	5.91	16.0	16.0	15.9	15.9	15.9	196.6	8.88	16.9	16.6	16.6	16.7	16.6
19.13	91.5	5.58	15.2	15.2	15.2	15.2	15.2	180.4	8.37	16.4	15.9	15.9	16.0	15.9
20.95	83.5	5.24	14.4	14.4	14.4	14.4	14.4	164.7	7.87	15.3	15.5	15.5	15.3	15.5
23.07	75.9	4.79	13.6	13.6	13.6	13.6	13.6	149.5	7.37	14.5	14.4	14.4	14.5	14.4
26.53	66.0	4.17	12.8	12.8	12.8	12.8	12.8	130.0	6.69	13.7	13.6	13.6	13.7	13.6
28.74	60.9	3.85	12.2	12.2	12.2	12.2	12.2	120.0	6.33	12.9	12.8	12.8	12.9	12.8
31.77	55.1	3.48	11.4	11.3	11.3	11.4	11.3	108.6	5.91	12.2	12.1	12.1	12.3	12.1
37.06	47.2	2.98	10.7	10.8	10.8	10.8	10.8	93.1	5.31	11.5	11.5	11.5	11.5	11.5
41.26	42.4	2.68	10.0	10.0	10.0	10.0	10.0	83.6	4.39	10.7	10.7	10.7	10.7	10.7
45.38	38.6	2.44	9.4	9.4	9.4	9.4	9.4	76.0	3.19	10.3	10.1	10.1	10.1	10.1
51.28	34.1	1.87	8.6	8.6	8.6	8.6	8.6	67.3	2.08	9.3	9.3	9.3	9.3	9.3

ILH Thermal Factors	
Ambient Temp (Deg. F)	Thermal Factor
0	1.78
20	1.56
40	1.34
60	1.11
68	1.00
80	0.88
100	0.63
120	0.44

Rated power as shown on the table above is for the largest available motor frame for a unit size and ratio. When using the factors in the table, compare result with the actual ratio and motor frame used.

Example: ILH 48, 10.93:1, 1750 RPM input speed, 180TC motor frame at 100 degree F ambient, A1 mounting position:

According to the table above, this unit is capable of 20.2 HP Thermally at 68 degree F. To convert this to the capability at 100 degrees F, multiply the rating by the factor in the Thermal Factors table (0.63). Actual Thermal Rating is $20.2 \times 0.63 = 12.7$ HP. The mechanical rating for the ILH 48, 10.93, 180TC frame is 8.15 HP. This unit is not thermally limited.

NOMENCLATURE PAGE ILH-4	MOUNTING POSITIONS PAGE ILH-7	SELECTION GEARMOTOR PAGE ILH-78	WEIGHTS PAGE ILH-343
----------------------------	----------------------------------	------------------------------------	-------------------------

Thermal Ratings - ILH 68

The Thermal HP ratings shown in the table below are based on an ambient temperature of 68° F, continuous operation and fan cooled motors. For ratings at other ambient temperatures, please consult Thermal Factors table below. Triple reduction units are not thermally limited. Shaded values indicate thermal limitations under the above conditions.

Ratio	1750 RPM							3450 RPM						
	Output Speed	Rated Power	Mounting Position					Output Speed	Rated Power	Mounting Position				
			A1	A2	A3	A4	A5, A6			A1	A2	A3	A4	A5, A6
RPM	HP	HP	HP	HP	HP	HP	RPM	HP	HP	HP	HP	HP	HP	
3.49	500.8	26.64	53.2	50.5	50.3	50.5	50.3	987.3	39.98	45.0	26.4	29.7	32.1	29.7
4.22	415.1	24.96	49.8	48.2	48.4	48.5	48.4	818.3	37.46	45.4	33.4	35.5	37.5	35.5
5.06	345.9	23.27	49.9	49.0	49.0	49.0	49.0	681.9	34.92	48.0	41.8	42.4	43.6	42.5
5.93	295.1	20.31	46.6	46.0	46.0	46.0	46.0	581.7	32.62	45.9	43.7	43.9	44.5	43.9
6.72	260.4	24.68	40.0	38.1	38.6	38.8	38.6	513.4	37.03	35.1	21.9	25.1	28.5	25.1
8.11	215.8	22.48	37.5	36.3	36.4	36.8	36.4	425.5	33.73	34.6	25.9	28.0	30.5	28.0
9.73	179.9	20.17	37.2	36.4	36.6	36.8	36.6	354.6	30.28	35.9	31.4	32.1	33.7	32.1
11.40	153.4	17.25	34.5	34.1	34.2	34.3	34.2	302.5	27.25	33.9	30.7	31.4	32.3	31.4
13.59	128.7	14.47	31.7	31.5	31.5	31.6	31.5	253.8	24.22	31.6	29.8	30.1	31.0	30.1
14.74	118.7	13.34	31.1	31.0	31.0	31.0	31.0	234.0	22.92	31.4	30.0	30.0	30.9	30.0
16.45	106.4	11.98	29.5	29.5	29.4	29.4	29.4	209.7	21.29	30.0	29.0	28.9	29.6	28.9
17.82	98.2	11.03	28.3	28.3	28.3	28.3	28.3	193.6	20.16	29.0	28.1	28.1	28.6	28.1
20.20	86.6	9.73	26.7	26.6	26.5	26.6	26.5	170.8	18.52	27.4	26.9	26.9	27.1	26.9
21.76	80.4	9.04	25.2	25.2	25.2	25.2	25.2	158.6	17.60	26.1	25.6	25.6	25.9	25.6
23.53	74.4	8.36	24.0	24.0	24.0	24.0	24.0	146.6	16.47	24.9	24.5	24.5	24.7	24.5
25.55	68.5	7.70	22.8	22.8	22.8	22.8	22.8	135.0	15.17	23.7	23.6	23.4	23.6	23.4
28.25	62.0	6.96	21.4	21.4	21.4	21.4	21.4	122.1	13.72	22.4	22.2	22.1	22.2	22.1
30.60	57.2	6.43	20.5	20.4	20.4	20.4	20.4	112.7	12.67	21.5	21.2	21.2	21.4	21.2
34.49	50.7	5.70	19.4	19.4	19.4	19.4	19.4	100.0	11.24	20.4	20.4	20.3	20.4	20.3
37.76	46.3	5.21	18.1	18.0	18.0	18.0	18.0	91.4	10.24	19.0	18.9	18.9	18.9	18.9
42.06	41.6	4.67	16.6	16.6	16.6	16.6	16.6	82.0	7.77	17.5	17.5	17.5	17.5	17.5
48.09	36.4	3.04	16.0	16.0	16.0	16.0	16.0	71.7	5.83	17.0	17.0	16.9	17.0	16.9

ILH Thermal Factors	
Ambient Temp (Deg. F)	Thermal Factor
0	1.78
20	1.56
40	1.34
60	1.11
68	1.00
80	0.88
100	0.63
120	0.44

Rated power as shown on the table above is for the largest available motor frame for a unit size and ratio. When using the factors in the table, compare result with the actual ratio and motor frame used.

Example: ILH 68, 11.40:1, 3450 RPM input speed, 180TC motor frame at 100 degree F ambient, A1 mounting position:

According to the table above, this unit is capable of 33.9 HP Thermally at 68 degree F. To convert this to the capability at 100 degrees F, multiply the rating by the factor in the Thermal Factors table (0.63). Actual Thermal Rating is 33.9*0.63 = 21.3 HP. The mechanical rating for the ILH 68, 11.40, 180TC frame is 20.43 HP. This unit is not thermally limited.

NOMENCLATURE PAGE ILH-4	MOUNTING POSITIONS PAGE ILH-7	SELECTION GEARMOTOR PAGE ILH-78	WEIGHTS PAGE ILH-343
----------------------------	----------------------------------	------------------------------------	-------------------------

Thermal Ratings - ILH 88

The Thermal HP ratings shown in the table below are based on an ambient temperature of 68° F, continuous operation and fan cooled motors. For ratings at other ambient temperatures, please consult Thermal Factors table below. Triple reduction units are not thermally limited. Shaded values indicate thermal limitations under the above conditions.

Ratio	1750 RPM							3450 RPM						
	Output Speed RPM	Rated Power HP	Mounting Position					Output Speed RPM	Rated Power HP	Mounting Position				
			A1 HP	A2 HP	A3 HP	A4 HP	A5, A6 HP			A1 HP	A2 HP	A3 HP	A4 HP	A5, A6 HP
4.87	359.4	45.45	95.7	87.5	89.1	90.3	89.1	708.6	89.61	79.9	28.4	41.4	52.1	41.4
5.94	294.7	45.45	88.6	86.2	85.6	86.5	85.6	581.0	87.06	80.1	56.1	59.9	68.3	59.9
6.96	251.5	44.49	82.4	80.2	80.6	84.0	80.6	495.8	77.40	78.0	62.2	64.5	70.6	64.5
7.59	230.5	43.15	72.0	66.5	68.3	69.1	68.3	454.4	64.76	60.6	22.1	32.5	42.4	32.5
9.26	189.0	37.37	67.1	64.5	65.0	66.0	65.0	372.6	56.08	60.4	41.9	45.3	53.0	45.3
10.85	161.3	33.51	62.6	60.8	61.1	61.7	61.1	318.0	50.28	58.8	46.4	48.5	54.1	48.5
12.75	137.2	30.13	61.6	60.7	60.7	61.1	60.7	270.5	45.20	60.5	53.6	54.5	58.0	54.5
14.63	119.6	27.60	57.4	56.7	56.8	57.2	56.8	235.8	41.40	58.0	52.3	52.8	55.5	52.8
17.27	101.3	23.91	52.7	52.6	52.6	52.2	52.6	199.8	37.25	53.3	50.3	50.5	52.3	50.5
18.72	93.5	22.06	51.2	50.9	50.9	51.0	50.9	184.3	34.92	52.5	50.2	50.4	51.8	50.4
20.81	84.1	19.84	48.4	48.1	48.1	48.2	48.1	165.8	32.10	50.1	48.4	48.4	49.4	48.4
22.61	77.4	18.26	46.2	45.6	45.6	46.0	45.6	152.6	30.07	47.7	46.3	46.3	47.3	46.3
25.01	70.0	16.51	43.9	43.6	43.6	43.6	43.6	138.0	27.80	46.0	44.7	44.9	45.6	44.9
26.85	65.2	15.38	41.5	41.4	41.4	41.4	41.4	128.5	26.29	43.6	42.7	42.8	43.3	42.8
28.93	60.5	14.27	39.5	39.5	39.4	39.5	39.4	119.2	24.84	41.7	41.0	41.1	41.6	41.1
31.32	55.9	13.18	37.6	37.4	37.4	37.5	37.4	110.2	23.37	39.7	39.2	39.2	39.6	39.2
34.07	51.4	12.12	35.7	35.7	35.7	35.8	35.7	101.3	21.92	38.1	37.6	37.3	37.7	37.3
37.27	46.9	11.08	33.5	33.5	33.5	33.5	33.5	92.6	18.13	35.8	35.3	35.3	35.5	35.3
41.90	41.8	9.19	31.7	31.5	31.5	31.6	31.5	82.3	15.14	33.8	33.5	33.5	34.0	33.5
45.76	38.2	8.50	29.3	29.2	29.2	29.3	29.2	75.4	13.99	31.4	31.1	31.1	31.5	31.1
50.73	34.5	5.58	27.2	27.1	27.1	27.2	27.1	68.0	9.01	29.1	28.9	28.9	29.0	28.9

ILH Thermal Factors	
Ambient Temp (Deg. F)	Thermal Factor
0	1.78
20	1.56
40	1.34
60	1.11
68	1.00
80	0.88
100	0.63
120	0.44

Rated power as shown on the table above is for the largest available motor frame for a unit size and ratio. When using the factors in the table, compare result with the actual ratio and motor frame used.

Example: ILH 88, 4.87:1, 3450 RPM input speed, 210TC motor frame at 40 degree F ambient, A2 mounting position:

According to the table above, this unit is capable of 28.4 HP Thermally at 68 degree F. To convert this to the capability at 40 degrees F, multiply the rating by the factor in the Thermal Factors table (1.34). Actual Thermal Rating is 28.4*1.34 = 38.1 HP. The mechanical rating for the ILH 88, 4.87, 210TC frame is 56.18 HP. This unit is now thermally limited to a rating of 38.1 HP.

NOMENCLATURE PAGE ILH-4	MOUNTING POSITIONS PAGE ILH-7	SELECTION GEARMOTOR PAGE ILH-78	WEIGHTS PAGE ILH-343
----------------------------	----------------------------------	------------------------------------	-------------------------

Thermal Ratings - ILH 108

The Thermal HP ratings shown in the table below are based on an ambient temperature of 68° F, continuous operation and fan cooled motors. For ratings at other ambient temperatures, please consult Thermal Factors table below. Triple reduction units are not thermally limited. Shaded values indicate thermal limitations under the above conditions.

Ratio	1750 RPM							3450 RPM						
	Output Speed	Rated Power	Mounting Position					Output Speed	Rated Power	Mounting Position				
			A1	A2	A3	A4	A5, A6			A1	A2	A3	A4	A5, A6
	RPM	HP	HP	HP	HP	HP	HP	RPM	HP	HP	HP	HP	HP	
5.51	317.8	75.54	130.5	112.8	116.4	119.6	116.1	626.4	139.62	80.4	0.0	0.8	19.2	1.9
6.41	273.1	67.46	125.7	114.4	117.6	119.2	115.9	538.4	124.69	87.2	13.6	33.3	48.5	26.0
7.10	246.4	62.38	123.3	115.2	117.6	118.6	116.1	485.8	115.29	93.8	37.7	55.5	65.9	46.8
8.27	211.6	92.12	91.6	79.1	82.3	84.8	81.5	417.1	146.32	55.6	0.0	4.0	19.4	4.0
9.62	181.8	79.20	88.6	80.5	83.2	84.5	81.7	358.5	132.90	60.1	10.8	26.0	37.0	19.7
10.67	164.1	71.40	87.2	81.3	83.4	84.2	82.0	323.4	124.28	64.7	26.3	40.2	47.9	33.0
12.68	138.1	60.08	82.5	79.5	81.0	81.0	79.4	272.2	111.07	65.9	44.4	55.8	57.9	46.0
14.63	119.6	52.08	77.8	75.8	76.8	76.8	75.7	235.8	100.19	66.1	51.3	59.7	60.9	52.1
17.19	101.8	44.32	76.3	75.1	75.8	75.7	75.0	200.7	87.37	69.4	60.7	65.9	66.4	60.8
19.48	89.8	39.11	71.8	71.0	71.5	71.3	70.8	177.1	77.10	67.1	61.1	64.7	65.0	61.0
22.86	76.6	33.33	66.0	65.5	65.8	65.7	65.4	150.9	65.70	63.5	59.5	62.1	62.2	59.5
24.94	70.2	30.55	64.0	63.6	63.8	63.7	63.5	138.4	60.22	62.6	59.6	61.4	61.6	59.5
27.20	64.3	27.96	61.3	60.9	61.2	61.1	60.9	126.8	55.13	60.6	58.2	59.7	59.8	58.2
29.35	59.6	25.96	58.6	58.3	58.4	58.4	58.3	117.5	51.17	58.3	56.5	57.6	57.8	56.4
32.81	53.3	23.22	55.4	55.2	55.2	55.3	55.2	105.2	45.78	55.8	54.4	55.2	55.3	54.3
35.14	49.8	21.68	52.7	52.6	52.7	52.7	52.5	98.2	42.74	53.4	52.2	52.8	53.1	52.2
37.79	46.3	20.16	50.3	50.1	50.2	50.2	50.1	91.3	33.43	51.2	50.3	50.7	50.9	50.3
40.82	42.9	18.66	47.9	47.7	47.8	47.8	47.7	84.5	31.23	49.1	48.2	48.6	48.8	48.2
44.31	39.5	17.19	45.6	45.5	45.5	45.5	45.4	77.9	29.03	46.9	46.2	46.6	46.8	46.2
48.38	36.2	15.75	43.0	42.9	42.9	42.9	42.9	71.3	24.98	44.5	43.9	44.0	44.3	43.9

ILH Thermal Factors	
Ambient Temp (Deg. F)	Thermal Factor
0	1.78
20	1.56
40	1.34
60	1.11
68	1.00
80	0.88
100	0.63
120	0.44

Rated power as shown on the table above is for the largest available motor frame for a unit size and ratio. When using the factors in the table, compare result with the actual ratio and motor frame used. A thermal rating of 0.0 indicates that this ratio and input RPM are not recommended.

Example: ILH 108, 19.48:1, 1750 RPM input speed, 250TC motor frame at 80 degree F ambient, A6 mounting position:

According to the table above, this unit is capable of 70.8 HP Thermally at 68 degree F. To convert this to the capability at 80 degrees F, multiply the rating by the factor in the Thermal Factors table (0.88). Actual Thermal Rating is 70.8*0.88 = 62.3 HP. The mechanical rating for the ILH 108, 19.48, 250TC frame is 38.07 HP. This unit is not thermally limited.

NOMENCLATURE PAGE ILH-4	MOUNTING POSITIONS PAGE ILH-7	SELECTION GEARMOTOR PAGE ILH-78	WEIGHTS PAGE ILH-343
----------------------------	----------------------------------	------------------------------------	-------------------------

THERMAL RATINGS



Thermal Ratings - ILH 128

The Thermal HP ratings shown in the table below are based on an ambient temperature of 68° F, continuous operation and fan cooled motors. For ratings at other ambient temperatures, please consult Thermal Factors table below. Triple reduction units are not thermally limited. Shaded values indicate thermal limitations under the above conditions.

Ratio	1750 RPM							3450 RPM						
	Output Speed	Rated Power	Mounting Position					Output Speed	Rated Power	Mounting Position				
			A1	A2	A3	A4	A5, A6			A1	A2	A3	A4	A5, A6
RPM	HP	HP	HP	HP	HP	HP	RPM	HP	HP	HP	HP	HP	HP	
3.63	482.5	135.96	202.5	129.7	139.7	147.5	139.7	951.3	247.66	32.6	0	0	0	0
4.83	362.7	126.33	192.5	152.4	160.7	168.8	160.7	715.0	231.27	93.4	0	0	0	0
5.59	313.2	114.62	194.7	171.8	174.8	181.1	174.8	617.5	211.38	123.2	0	3.9	42.1	3.9
5.93	295.3	135.98	136.8	87.6	98.1	106.5	98.1	582.2	247.72	32.9	0	0	0	0
7.88	222.0	126.52	130.4	103.4	109.6	116.5	109.6	437.6	222.48	65.4	0	0	1.3	0
9.13	191.7	116.62	131.7	116.0	118.5	124.0	118.5	377.9	202.63	82.8	0	8.7	39.5	8.7
10.78	162.4	104.95	123.4	113.5	114.6	119.0	114.6	320.1	182.09	89.3	24.5	34.6	63.2	34.6
12.03	145.4	96.35	119.8	112.6	113.3	116.5	113.3	286.7	169.60	95.3	46.5	53.9	76.7	53.9
14.06	124.5	85.09	113.5	109.5	109.5	111.8	109.5	245.3	153.08	96.3	67.2	69.0	87.2	69
16.12	108.6	76.13	107.0	104.3	104.1	105.9	104.1	214.0	139.84	96.4	75.8	76.9	90.2	76.9
18.64	93.9	67.24	99.7	97.8	97.8	98.9	97.8	185.1	124.57	94.1	80.2	80.9	90.1	80.9
19.35	90.5	64.77	102.8	101.4	101.2	102.2	101.2	178.3	120.73	99.3	87.8	88.2	95.8	88.2
21.41	81.7	58.54	97.5	96.4	96.3	97.0	96.3	161.2	110.89	96.2	87.5	87.8	93.7	87.8
25.05	69.9	50.04	89.4	88.6	88.6	89.1	88.6	137.7	97.03	90.5	84.7	85.0	88.9	85.0
27.13	64.5	46.20	86.6	86.0	86.0	86.3	86.0	127.2	90.60	88.9	84.5	84.5	87.6	84.5
30.28	57.8	41.39	81.3	80.8	80.8	81.1	80.8	113.9	81.60	84.5	81.1	81.3	83.7	81.3
32.11	54.5	39.03	78.5	78.2	78.2	78.4	78.2	107.5	76.95	82.2	79.2	79.4	81.4	79.4
36.39	48.1	28.42	72.9	72.6	72.6	72.8	72.6	94.8	52.12	77.0	74.8	75.1	76.5	75.1
38.94	44.9	26.84	69.5	69.2	69.2	69.3	69.2	88.6	47.63	73.7	71.9	72.0	73.3	72.0
40.96	42.7	17.95	67.4	67.3	67.3	67.4	67.3	84.2	32.48	71.8	70.2	70.4	71.5	70.4

ILH Thermal Factors	
Ambient Temp (Deg. F)	Thermal Factor
0	1.78
20	1.56
40	1.34
60	1.11
68	1.00
80	0.88
100	0.63
120	0.44

Rated power as shown on the table above is for the largest available motor frame for a unit size and ratio. When using the factors in the table, compare result with the actual ratio and motor frame used. A thermal rating of 0.0 indicates that this ratio and input RPM are not recommended.

Example: ILH 128, 12.03:1, 1750 RPM input speed, 320TC motor frame at 100 degree F ambient, A1 mounting position:

According to the table above, this unit is capable of 119.8 HP Thermally at 68 degree F. To convert this to the capability at 100 degrees F, multiply the rating by the factor in the Thermal Factors table (0.63). Actual Thermal Rating is 119.8*0.63 = 75.5 HP. The mechanical rating for the ILH 128, 12.03, 320TC frame is 96.35 HP. This unit is now thermally limited to 75.5 HP.

NOMENCLATURE PAGE ILH-4	MOUNTING POSITIONS PAGE ILH-7	SELECTION GEARMOTOR PAGE ILH-78	WEIGHTS PAGE ILH-343
----------------------------	----------------------------------	------------------------------------	-------------------------

Thermal Ratings - ILH 148

The Thermal HP ratings shown in the table below are based on an ambient temperature of 68° F, continuous operation and fan cooled motors. For ratings at other ambient temperatures, please consult Thermal Factors table below. Triple reduction units are not thermally limited. Shaded values indicate thermal limitations under the above conditions.

Ratio	1750 RPM							3450 RPM						
	Output Speed	Rated Power	Mounting Position					Output Speed	Rated Power	Mounting Position				
			A1	A2	A3	A4	A5, A6			A1	A2	A3	A4	A5, A6
	RPM	HP	HP	HP	HP	HP	HP	RPM	HP	HP	HP	HP	HP	
4.92	355.7	144.74	262.5	170.2	177.0	185.8	177.0	701.2	265.03	14.0	0.0	0.0	0.0	0.0
6.43	272.2	125.68	253.6	199.3	207.7	218.0	207.7	536.7	230.10	105.6	0.0	0.0	0.0	0.0
7.57	231.1	114.24	250.4	219.8	222.3	231.4	222.3	455.7	209.12	156.3	0.0	0.0	39.1	0.0
8.79	199.2	144.67	163.2	107.1	117.0	130.8	117.0	392.7	264.90	26.2	0.0	0.0	0.0	0.0
11.48	152.4	125.70	167.0	133.3	139.5	150.9	139.5	300.5	230.14	75.2	0.0	0.0	2.7	0.0
13.52	129.4	114.22	165.7	146.0	148.5	157.0	148.5	255.2	209.09	104.0	0.8	10.2	55.0	10.2
15.51	112.8	104.82	159.1	145.5	146.6	153.4	146.6	222.5	191.88	113.5	29.5	39.0	82.4	39.0
17.09	102.4	98.39	156.3	146.4	146.9	152.3	146.9	201.9	180.10	123.6	57.7	64.7	100.7	64.7
20.21	86.6	87.69	146.9	141.3	141.1	144.8	141.1	170.7	160.52	127.5	90.5	92.1	117.6	92.1
23.04	76.0	79.79	138.9	134.9	134.9	137.5	134.9	149.8	146.07	128.2	100.0	101.1	120.4	101.1
26.49	66.1	71.89	129.9	127.3	127.2	128.9	127.2	130.2	131.59	126.1	106.8	107.4	121.1	107.4
30.28	57.8	64.81	127.6	126.0	125.9	127.0	125.9	113.9	118.63	129.7	117.6	117.6	126.4	117.6
35.09	49.9	56.03	117.9	116.8	116.7	117.4	116.7	98.3	107.37	123.0	114.9	115.1	121.0	115.1
38.23	45.8	51.43	114.0	113.2	113.1	113.6	113.1	90.2	100.09	120.9	114.7	114.7	119.3	114.7
42.59	41.1	46.16	107.3	106.7	106.5	107.0	106.5	81.0	81.98	115.2	110.6	110.7	114.0	110.7
45.11	38.8	43.58	103.8	103.1	103.1	103.5	103.1	76.5	77.87	112.0	108.1	108.1	111.1	108.1

ILH Thermal Factors	
Ambient Temp (Deg. F)	Thermal Factor
0	1.78
20	1.56
40	1.34
60	1.11
68	1.00
80	0.88
100	0.63
120	0.44

Rated power as shown on the table above is for the largest available motor frame for a unit size and ratio. When using the factors in the table, compare result with the actual ratio and motor frame used. A thermal rating of 0.0 indicates that this ratio and input RPM are not recommended.

Example: ILH 148, 15.51:1, 3450 RPM input speed, 280TC motor frame at 60 degree F ambient, A4 mounting position:

According to the table above, this unit is capable of 82.4 HP Thermally at 68 degree F. To convert this to the capability at 60 degrees F, multiply the rating by the factor in the Thermal Factors table (1.11). Actual Thermal Rating is $82.4 \times 1.11 = 91.5$ HP. The mechanical rating for the ILH 148, 15.51, 280TC frame is 181.36 HP. This unit is now thermally limited to 91.5 HP.

NOMENCLATURE PAGE ILH-4	MOUNTING POSITIONS PAGE ILH-7	SELECTION GEARMOTOR PAGE ILH-78	WEIGHTS PAGE ILH-343
----------------------------	----------------------------------	------------------------------------	-------------------------

Thermal Ratings - ILH 168

The Thermal HP ratings shown in the table below are based on an ambient temperature of 68° F, continuous operation and fan cooled motors. For ratings at other ambient temperatures, please consult Thermal Factors table below. Triple reduction units are not thermally limited. Shaded values indicate thermal limitations under the above conditions.

Ratio	1750 RPM							3450 RPM						
	Output Speed RPM	Rated Power HP	Mounting Position					Output Speed RPM	Rated Power HP	Mounting Position				
			A1 HP	A2 HP	A3 HP	A4 HP	A5, A6 HP			A1 HP	A2 HP	A3 HP	A4 HP	A5, A6 HP
4.93	355.2	158.68	386.1	235.8	247.1	256.0	247.1	700.2	297.65	0.0	0.0	0.0	0.0	0.0
6.20	282.2	145.11	385.8	266.9	280.7	303.6	280.7	556.3	265.70	64.8	0.0	0.0	0.0	0.0
8.21	213.1	158.81	260.9	158.3	168.8	180.8	168.8	420.1	297.90	0.0	0.0	0.0	0.0	0.0
10.34	169.3	145.02	260.2	181.7	193.6	215.8	193.6	333.8	265.53	56.8	0.0	0.0	0.0	0.0
13.27	131.9	126.00	250.0	208.2	213.2	229.0	213.2	260.0	230.69	132.7	0.0	0.0	24.3	0.0
15.44	113.3	114.71	247.1	222.3	223.6	235.4	223.6	223.4	210.06	173.3	21.8	34.5	104.7	34.5
17.60	99.4	105.34	237.1	220.3	220.4	229.5	220.4	196.0	192.83	187.4	74.0	81.0	143.4	81.0
19.30	90.7	98.94	232.3	219.6	219.4	226.3	219.4	178.7	181.09	197.8	113.5	117.3	167.0	117.3
23.26	75.2	86.59	215.4	208.9	208.3	212.7	208.3	148.3	158.50	206.0	157.1	155.6	189.2	155.6
25.84	67.7	80.04	204.6	199.8	199.1	202.3	199.1	133.5	146.53	203.9	167.8	166.2	191.9	166.2
29.27	59.8	72.73	191.6	188.4	187.8	190.1	187.8	117.9	133.16	198.5	174.1	172.4	190.8	172.4
33.88	51.6	64.76	177.7	175.6	175.1	176.5	175.1	101.8	118.56	191.3	175.9	174.4	186.1	174.4
39.45	44.4	57.19	160.6	159.3	158.9	160.0	158.9	87.5	104.67	177.1	166.9	165.5	173.7	165.5
42.09	41.6	53.86	155.2	154.2	153.9	154.7	153.9	82.0	98.60	172.8	164.5	163.3	170.0	163.3
46.61	37.5	51.55	153.8	153.1	152.7	153.3	152.7	74.0	83.76	173.7	168.7	167.2	171.9	167.2

ILH Thermal Factors	
Ambient Temp (Deg. F)	Thermal Factor
0	1.78
20	1.56
40	1.34
60	1.11
68	1.00
80	0.88
100	0.63
120	0.44

Rated power as shown on the table above is for the largest available motor frame for a unit size and ratio. When using the factors in the table, compare result with the actual ratio and motor frame used. A thermal rating of 0.0 indicates that this ratio and input RPM are not recommended.

Example: ILH 168, 17.60:1, 3450 RPM input speed, 250TC motor frame at 120 degree F ambient, A1 mounting position:

According to the table above, this unit is capable of 187.4 HP Thermally at 68 degree F. To convert this to the capability at 120 degrees F, multiply the rating by the factor in the Thermal Factors table (0.44). Actual Thermal Rating is $187.4 \times 0.44 = 82.5$ HP. The mechanical rating for the ILH 168, 17.60, 250TC frame is 89.63 HP. This unit is now thermally limited to 82.5 HP.

NOMENCLATURE PAGE ILH-4	MOUNTING POSITIONS PAGE ILH-7	SELECTION GEARMOTOR PAGE ILH-78	WEIGHTS PAGE ILH-343
----------------------------	----------------------------------	------------------------------------	-------------------------

WEIGHTS - ILH 38

				Output Configuration								
				Foot Mounted		Flange Mounted						
						B14		B5		NEMA (Single Reduction)		
Unit Size	Input Configuration	Catalog Number		Weight (lbs) (L)	Weight (Kg) (L)	Weight (lbs) (L)	Weight (Kg) (L)	Weight (lbs) (L)	Weight (Kg) (L)	Weight (lbs) (L)	Weight (Kg) (L)	
38	Clamp Collar	H_381CN56C	H_381CI71D	21	10	19	9	23	10	22	10	
		--	H_381CI80D	26	12	23	10	27	12	26	12	
		H_381CN140TC	H_381CI90D	26	12	23	10	27	12	26	12	
		H_381CN180TC	H_381CI100D	31	14	29	13	33	15	32	15	
		H_382CN56C	H_382CI71D	31	14	29	13	33	15	--		
		--	H_382CI80D	37	17	33	15	37	17			
		H_382CN140TC	H_382CI90D	37	17	33	15	37	17			
		H_382CN180TC	H_382CI100D	41	19	37	17	41	19			
		H_383CN56C	H_383CI71D	32	15	30	14	34	15			
		--	H_383CI80D	37	17	34	15	38	17			
	H_383CN140TC	H_383CI90D	37	17	34	15	38	17	--			
	H_381LN56C	H_381LI71D	30	14	28	13	32	15			31	14
	--	H_381LI80D	42	19	33	15	37	17			36	16
	H_381LN140TC	H_381LI90D	42	19	33	15	37	17			36	16
	H_381LN180TC	H_381LI100D	49	22	46	21	50	23			49	22
	H_382LN56C	--	32	15	37	17	41	19			--	
	--	H_382LI80D	53	24	49	22	53	24				
	H_382LN140TC	H_382LI90D	53	24	49	22	53	24				
	--	H_382LI100D	64	29	60	27	64	29				
	H_383LN56C	--	33	15	38	17	42	19	--			
	--	H_383LI80D	54	24	51	23	55	25				
	H_383LN140TC	H_383LI90D	54	24	51	23	55	25				
	Separate Group (Inch / Metric)	H_381SI71	H_381SM71	24	11	22	10	26	12	25	11	
		H_381SI80	H_381SM80	33	15	31	14	35	16	34	15	
		H_381SI90	H_381SM90	33	15	31	14	35	16	34	15	
		H_381SI100	H_381SM100	39	18	37	17	41	19	40	18	
		H_382SI71	H_382SM71	38	17	34	15	38	17	--		
		H_382SI80	H_382SM80	46	21	42	19	46	21			
		H_382SI90	H_382SM90	46	21	42	19	46	21			
		H_382SI100	H_382SM100	47	21	43	20	47	21			
		H_383SI71	H_383SM71	40	18	37	17	41	19			
		H_383SI80	H_383SM80	48	22	45	20	49	22			
	H_383SI90	H_383SM90	48	22	45	20	49	22	--			
	H_381GH71C4	--	25	11	23	10	27	12			26	12
	H_381GH71D4		25	11	23	10	27	12			26	12
	H_381GH71E4		28	13	26	12	30	14			29	13
H_381GH80F4	32		15	30	14	34	15	33			15	
H_381GH80G4	36		16	34	15	38	17	37	17			
Integral Gearmotor (HP)												

* Weights are Approximate
(L) - See Footnotes page on the inside back cover

NOMENCLATURE PAGE ILH-4	SELECTION GEARMOTOR PAGE ILH-78	DIMENSIONS PAGE ILH-118	THERMAL RATINGS PAGE-ILH-335
----------------------------	------------------------------------	----------------------------	---------------------------------

WEIGHTS - ILH 38 (Continued)

				Output Configuration							
				Foot Mounted		Flange Mounted					
						B14		B5		NEMA (Single Reduction)	
Unit Size	Input Configuration	Catalog Number		Weight (lbs)	Weight (Kg)	Weight (lbs)	Weight (Kg)	Weight (lbs)	Weight (Kg)	Weight (lbs)	Weight (Kg)
		NEMA	IEC	(L)	(L)	(L)	(L)	(L)	(L)	(L)	(L)
38	Integral Gearmotor (HP) (Continued)	H_381GH90H4	--	41	19	39	18	43	20	42	19
		H_381GH90I4		46	21	44	20	48	22	47	21
		H_381GH100J4		55	25	53	24	57	26	56	25
		H_382GH71C4		41	19	37	17	41	19	--	
		H_382GH71D4		41	19	37	17	41	19		
		H_382GH71E4		45	20	41	19	45	20		
		H_382GH80F4		45	20	41	19	45	20		
		H_382GH80G4		48	22	44	20	48	22		
		H_382GH90H4		53	24	49	22	53	24		
		H_382GH90I4		58	26	54	24	58	26		
		H_382GH100J4		65	29	61	28	65	29		
		H_383GH71C4		41	19	38	17	42	19		
		H_383GH71D4		41	19	38	17	42	19		
		H_383GH71E4		45	20	42	19	46	21		
		H_383GH80F4		45	20	42	19	46	21		
		H_383GH80G4		48	22	45	20	49	22		
H_383GH90H4	53	24	50	23	54	24					
H_383GH90I4	58	26	55	25	59	27					

* Weights are Approximate
(L) - See Footnotes page on the inside back cover

NOMENCLATURE PAGE ILH-4	SELECTION GEARMOTOR PAGE ILH-78	DIMENSIONS PAGE ILH-118	THERMAL RATINGS PAGE-ILH-335
----------------------------	------------------------------------	----------------------------	---------------------------------

WEIGHTS - ILH 48

Unit Size		Input Configuration		Catalog Number		Output Configuration							
						Foot Mounted		Flange Mounted				Nema (Single Reduction)	
								B14		B5			
				Weight (lbs) (L)	Weight (Kg) (L)	Weight (lbs) (L)	Weight (Kg) (L)	Weight (lbs) (L)	Weight (Kg) (L)	Weight (lbs) (L)	Weight (Kg) (L)		
48	Clamp Collar	H_481CN56C	H_481CI71D	29	13	24	11	31	14	29	13		
		--	H_481CI80D	33	15	28	13	35	16	33	15		
		H_481CN140TC	H_481CI90D	33	15	28	13	35	16	33	15		
		H_481CN180TC	H_481CI100D	38	17	34	15	41	19	39	18		
		--	H_481CI112D	40	18	35	16	42	19	40	18		
		H_482CN56C	H_482CI71D	53	24	50	23	57	26	--			
		--	H_482CI80D	58	26	54	24	61	28				
		H_482CN140TC	H_482CI90D	58	26	54	24	61	28				
		H_482CN180TC	H_482CI100D	63	29	58	26	65	29				
		--	H_482CI112D	65	29	61	28	68	31				
		H_483CN56C	H_483CI71D	54	24	51	23	58	26				
		--	H_483CI80D	59	27	55	25	62	28				
	H_483CN140TC	H_483CI90D	59	27	55	25	62	28					
	H_483CN180TC	H_483CI100D	64	29	59	27	66	30					
	H_481LN56C	--	37	17	33	15	40	18	38			17	
	--	H_481LI80D	43	20	45	20	52	24	50			23	
	H_481LN140TC	H_481LI90D	43	20	45	20	52	24	50			23	
	H_481LN180TC	H_481LI100D	56	25	51	23	58	26	56	25			
	--	H_481LI112D	64	29	59	27	66	30	64	29			
	H_482LN56C	--	54	24	58	26	65	29	--				
	--	H_482LI80D	75	34	70	32	77	35					
	H_482LN140TC	H_482LI90D	75	34	70	32	77	35					
	H_482LN180TC	H_482LI100D	86	39	81	37	88	40					
	--	H_482LI112D	89	40	84	38	91	41					
	H_483LN56C	--	55	25	59	27	66	30					
	--	H_483LI80D	76	34	71	32	78	35					
	H_483LN140TC	H_483LI90D	76	34	71	32	78	35					
	H_483LN180TC	H_483LI100D	86	39	82	37	89	40					
	Separate Group (Inch / Metric)	H_481SI71	H_481SM71	32	15	27	12	34	15	32	15		
		H_481SI80	H_481SM80	41	19	36	16	43	20	41	19		
		H_481SI90	H_481SM90	41	19	36	16	43	20	41	19		
		H_481SI100	H_481SM100	47	21	42	19	49	22	47	21		
		H_481SI112	H_481SM112	55	25	50	23	57	26	55	25		
		H_482SI71	H_482SM71	61	28	57	26	64	29	--			
		H_482SI80	H_482SM80	69	31	64	29	71	32				
		H_482SI90	H_482SM90	69	31	65	29	72	33				
H_482SI100		H_482SM100	78	35	73	33	80	36					
H_482SI112		H_482SM112	80	36	78	35	85	39					

* Weights are Approximate

(L) - See Footnotes page on the inside back cover

NOMENCLATURE PAGE ILH-4	SELECTION GEARMOTOR PAGE ILH-78	DIMENSIONS PAGE ILH-158	THERMAL RATINGS PAGE-ILH-335
----------------------------	------------------------------------	----------------------------	---------------------------------

WEIGHTS - ILH 48 (Continued)

				Output Configuration								
				Foot Mounted		Flange Mounted						
						B14		B5		Nema (Single Reduction)		
Unit Size	Input Configuration	Catalog Number		Weight (lbs) (L)	Weight (Kg) (L)	Weight (lbs) (L)	Weight (Kg) (L)	Weight (lbs) (L)	Weight (Kg) (L)	Weight (lbs) (L)	Weight (Kg) (L)	
		NEMA	IEC									
48	Separate Group (Inch / Metric) (Continued)	H_483SI71	H_483SM71	63	29	59	27	66	30	--		
		H_483SI80	H_483SM80	71	32	66	30	73	33	--		
		H_483SI90	H_483SM90	71	32	67	30	74	34	--		
		H_483SI100	H_483SM100	80	36	75	34	82	37	--		
	Integral Gearmotor HP	--	H_481GH71C4		33	15	28	13	35	16	33	15
			H_481GH71D4		33	15	28	13	35	16	33	15
			H_481GH71E4		36	16	31	14	38	17	36	16
			H_481GH80F4		40	18	35	16	42	19	40	18
			H_481GH80G4		44	20	39	18	46	21	44	20
			H_481GH90H4		49	22	44	20	51	23	49	22
			H_481GH90I4		54	24	49	22	56	25	54	24
			H_481GH100J4		63	29	58	26	65	29	63	29
			H_481GH112L4		90	41	85	39	92	42	90	41
			H_482GH71C4		62	28	58	26	65	29	--	
			H_482GH71D4		62	28	58	26	65	29	--	
			H_482GH71E4		66	30	62	28	69	31	--	
			H_482GH80F4		66	30	62	28	69	31	--	
			H_482GH80G4		69	31	65	29	72	33	--	
			H_482GH90H4		74	34	70	32	77	35	--	
			H_482GH90I4		79	36	75	34	82	37	--	
			H_482GH100J4		86	39	82	37	89	40	--	
			H_482GH112L4		108	49	104	47	111	50	--	
			H_483GH71C4		63	29	59	27	66	30	--	
			H_483GH71D4		63	29	59	27	66	30	--	
			H_483GH71E4		67	30	63	29	70	32	--	
			H_483GH80F4		67	30	63	29	70	32	--	
			H_483GH80G4		70	32	66	30	73	33	--	
			H_483GH90H4		75	34	71	32	78	35	--	
H_483GH90I4		80	36	76	34	83	38	--				
H_483GH100J4		87	39	83	38	90	41	--				

* Weights are Approximate

(L) - See Footnotes page on the inside back cover

NOMENCLATURE PAGE ILH-4	SELECTION GEARMOTOR PAGE ILH-78	DIMENSIONS PAGE ILH-158	THERMAL RATINGS PAGE-ILH-335
----------------------------	------------------------------------	----------------------------	---------------------------------

WEIGHTS - ILH 68

Unit Size		Input Configuration		Catalog Number		Output Configuration							
						Foot Mounted		Flange Mounted				Nema (Single Reduction)	
								B14		B5			
				Weight (lbs) (L)	Weight (Kg) (L)	Weight (lbs) (L)	Weight (Kg) (L)	Weight (lbs) (L)	Weight (Kg) (L)	Weight (lbs) (L)	Weight (Kg) (L)		
68	Clamp Collar	H_681CN56C	H_681CI71D	45	20	42	19	53	24	52	24		
		--	H_681CI80D	49	22	46	21	57	26	56	25		
		H_681CN140TC	H_681CI90D	49	22	46	21	57	26	56	25		
		H_681CN180TC	H_681CI100D	55	25	51	23	62	28	61	28		
		--	H_681CI112D	56	25	53	24	64	29	63	29		
		H_681CN210TC	H_681CI132D	70	32	67	30	78	35	77	35		
		H_682CN56C	H_682CI71D	87	39	83	38	94	43	--			
		--	H_682CI80D	95	43	87	39	98	44				
		H_682CN140TC	H_682CI90D	95	43	87	39	98	44				
		H_682CN180TC	H_682CI100D	100	45	92	42	103	47				
		--	H_682CI112D	102	46	94	43	105	48				
		H_682CN210TC	H_682CI132D	115	52	108	49	119	54				
		H_683CN56C	H_683CI71D	93	42	86	39	97	44				
		--	H_683CI80D	99	45	90	41	101	46				
	H_683CN140TC	H_683CI90D	98	44	90	41	101	46					
	H_683CN180TC	H_683CI100D	103	47	95	43	106	48					
	3 Pc Coupled	H_681LN56C	--	54	24	50	23	61	28			60	27
		--	H_681LI80D	66	30	62	28	73	33			72	33
		H_681LN140TC	H_681LI90D	66	30	62	28	73	33	72	33		
		H_681LN180TC	H_681LI100D	72	33	69	31	80	36	79	36		
		--	H_681LI112D	80	36	77	35	88	40	87	39		
		H_681LN210TC	H_681LI132D	88	40	85	39	96	44	95	43		
		H_682LN56C	--	91	41	91	41	102	46	--			
		H_682LN140TC	H_682LI90D	112	51	104	47	115	52				
		H_682LN180TC	H_682LI100D	123	56	115	52	126	57				
		--	H_682LI112D	126	57	118	54	129	59				
		H_682LN210TC	H_682LI132D	145	66	137	62	148	67				
		H_683LN56C	--	94	43	94	43	105	48				
		--	H_683LI80D	115	52	107	49	118	54				
		H_683LN140TC	H_683LI90D	115	52	107	49	118	54				
	H_683LN180TC	H_683LI100D	126	57	118	54	129	59					
	Separate Group (Inch / Metric)	H_681SI71	H_681SM71	48	22	45	20	56	25			55	25
		H_681SI80	H_681SM80	57	26	54	24	65	29	64	29		
		H_681SI90	H_681SM90	57	26	54	24	65	29	64	29		
		H_681SI100	H_681SM100	63	29	60	27	71	32	70	32		
		H_681SI112	H_681SM112	71	32	68	31	79	36	78	35		
H_681SI132		H_681SM132	89	40	86	39	97	44	96	44			
H_682SI71		H_682SM71	100	45	92	42	103	47	--				
H_682SI80		H_682SM80	111	50	100	45	111	50					

* Weights are Approximate

(L) - See Footnotes page on the inside back cover

NOMENCLATURE PAGE ILH-4	SELECTION GEARMOTOR PAGE ILH-78	DIMENSIONS PAGE ILH-198	THERMAL RATINGS PAGE-ILH-335
----------------------------	------------------------------------	----------------------------	---------------------------------

WEIGHTS - ILH 68 (Continued)

				Output Configuration							Nema (Single Reduction)	
				Foot Mounted		Flange Mounted						
						B14		B5				
Unit Size	Input Configuration	Catalog Number		Weight (lbs) (L)	Weight (Kg) (L)	Weight (lbs) (L)	Weight (Kg) (L)	Weight (lbs) (L)	Weight (Kg) (L)	Weight (lbs) (L)	Weight (Kg) (L)	
		NEMA	IEC									
68	Separate Group (Inch / Metric) (Continued)	H_682SI90	H_682SM90	108	49	100	45	111	50	--		
		H_682SI100	H_682SM100	117	53	109	49	120	54			
		H_682SI112	H_682SM112	120	54	112	51	123	56			
		H_682SI132	H_682SM132	141	64	133	60	144	65			
		H_683SI71	H_683SM71	106	48	106	48	117	53			
		H_683SI80	H_683SM80	112	51	105	48	116	53			
		H_683SI90	H_683SM90	114	52	105	48	116	53			
			H_683SI100	H_683SM100	122	55	114	52	125	57		
		Integral Gearmotor (HP)	H_681GH71C4	--	49	22	46	21	57	26	56	25
			H_681GH71D4		49	22	46	21	57	26	56	25
			H_681GH71E4		52	24	49	22	60	27	59	27
			H_681GH80F4		56	25	53	24	64	29	154	70
			H_681GH80G4		60	27	57	26	68	31	67	30
			H_681GH90H4		65	29	62	28	73	33	72	33
			H_681GH90I4		70	32	67	30	78	35	77	35
			H_681GH100J4		79	36	76	34	87	39	86	39
			H_681GH112L4		106	48	103	47	114	52	113	51
			H_681GH132M4		136	62	133	60	144	65	143	65
			H_681GH132N4		147	67	144	65	155	70	154	70
			H_682GH71C4		99	45	91	41	102	46	--	
			H_682GH71D4		99	45	91	41	102	46		
			H_682GH71E4		103	47	95	43	106	48		
			H_682GH80F4		103	47	95	43	106	48		
			H_682GH80G4		106	48	98	44	109	49		
			H_682GH90H4		111	50	103	47	114	52		
			H_682GH90I4		116	53	108	49	119	54		
			H_682GH100J4		123	56	115	52	126	57		
			H_682GH112L4		145	66	137	62	148	67		
			H_682GH132M4		242	110	234	106	245	111		
			H_682GH132N4		242	110	234	106	245	111		
			H_683GH71C4		102	46	94	43	105	48		
			H_683GH71D4		102	46	94	43	105	48		
			H_683GH71E4		106	48	98	44	109	49		
			H_683GH80F4		106	48	98	44	109	49		
			H_683GH80G4		109	49	101	46	112	51		
	H_683GH90H4		114		52	106	48	117	53			
	H_683GH90I4	119	54	111	50	122	55					
	H_683GH100J4	126	57	118	54	129	59					

* Weights are Approximate

(L) - See Footnotes page on the inside back cover

NOMENCLATURE PAGE ILH-4	SELECTION GEARMOTOR PAGE ILH-78	DIMENSIONS PAGE ILH-198	THERMAL RATINGS PAGE-ILH-335
----------------------------	------------------------------------	----------------------------	---------------------------------

WEIGHTS - ILH 88

Unit Size		Input Configuration		Catalog Number		Output Configuration							
						Foot Mounted		Flange Mounted				Nema (Single Reduction)	
								B14		B5			
Weight (lbs) (L)	Weight (Kg) (L)	Weight (lbs) (L)	Weight (Kg) (L)	Weight (lbs) (L)	Weight (Kg) (L)	Weight (lbs) (L)	Weight (Kg) (L)	Weight (lbs) (L)	Weight (Kg) (L)				
88	Clamp Collar	H_881CN140TC	H_881CI90D	74	34	66	30	85	39	84	38		
		H_881CN180TC	H_881CI100D	79	36	72	33	91	41	90	41		
		--	H_881CI112D	81	37	73	33	92	42	91	41		
		H_881CN210TC	H_881CI132D	94	43	87	39	106	48	105	48		
		H_881CN250TC	H_881CI160D	119	54	112	51	131	59	130	59		
		H_882CN140TC	H_882CI90D	161	73	153	69	172	78				
		H_882CN180TC	H_882CI100D	172	78	157	71	176	80				
		--	H_882CI112D	175	79	160	73	179	81				
		H_882CN210TC	H_882CI132D	188	85	174	79	193	88				
		H_882CN250TC	H_882CI160D	222	101	208	94	227	103				
		H_883CN56C	H_883CI71D	164	74	151	68	170	77	--			
		--	H_883CI80D	170	77	155	70	174	79				
		H_883CN140TC	H_883CI90D	170	77	155	70	174	79				
		H_883CN180TC	H_883CI100D	174	79	159	72	178	81				
		--	H_883CI112D	177	80	162	73	181	82				
	H_883CN210TC	H_883CI132D	190	86	176	80	195	88					
	3 Pc Coupled	H_881LN140TC	H_881LI90D	90	41	83	38	102	46	101	46		
		H_881LN180TC	H_881LI100D	97	44	89	40	108	49	107	49		
		--	H_881LI112D	104	47	97	44	116	53	115	52		
		H_881LN210TC	H_881LI132D	112	51	105	48	124	56	123	56		
		H_881LN250TC	H_881LI160D	145	66	138	63	157	71	156	71		
		H_882LN140TC	H_882LI90D	166	75	163	74	182	83				
		H_882LN180TC	H_882LI100D	195	88	180	82	199	90				
		--	H_882LI112D	198	90	184	83	203	92				
		H_882LN210TC	H_882LI132D	217	98	202	92	221	100				
		H_882LN250TC	H_882LI160D	268	122	254	115	273	124				
		H_883LN56C	--	165	75	159	72	178	81	--			
		--	H_883LI80D	186	84	171	78	190	86				
		H_883LN140TC	H_883LI90D	186	84	171	78	190	86				
		H_883LN180TC	H_883LI100D	197	89	182	83	201	91				
		--	H_883LI112D	200	91	185	84	204	93				
	H_883LN210TC	H_883LI132D	219	99	204	93	223	101					
	Separate Group (Inch / Metric)	H_881SI90	H_881SM90	81	37	74	34	93	42	92	42		
H_881SI100		H_881SM100	88	40	80	36	99	45	98	44			
H_881SI112		H_881SM112	95	43	88	40	107	49	106	48			
H_881SI132		H_881SM132	114	52	106	48	125	57	124	56			
H_881SI160		H_881SM160	139	63	132	60	151	68	150	68			
H_882SI90		H_882SM90	189	86	176	80	195	88					
H_882SI100		H_882SM100	196	89	182	83	201	91	--				

* Weights are Approximate

(L) - See Footnotes page on the inside back cover

NOMENCLATURE PAGE ILH-4	SELECTION GEARMOTOR PAGE ILH-78	DIMENSIONS PAGE ILH-238	THERMAL RATINGS PAGE-ILH-335
----------------------------	------------------------------------	----------------------------	---------------------------------

WEIGHTS - ILH 88 (Continued)

				Output Configuration									
				Foot Mounted		Flange Mounted						Nema (Single Reduction)	
						B14		B5					
Unit Size	Input Configuration	Catalog Number		Weight (lbs) (L)	Weight (Kg) (L)	Weight (lbs) (L)	Weight (Kg) (L)	Weight (lbs) (L)	Weight (Kg) (L)	Weight (lbs) (L)	Weight (Kg) (L)		
		NEMA	IEC										
88	Separate Group (Inch / Metric) (Continued)	H_882SI112	H_882SM112	200	91	185	84	204	93	--			
		H_882SI132	H_882SM132	221	100	207	94	226	102				
		H_882SI160	H_882SM160	244	111	229	104	248	112				
		H_883SI71	H_883SM71	182	83	167	76	186	84				
		H_883SI80	H_883SM80	189	86	175	79	194	88				
		H_883SI90	H_883SM90	190	86	175	79	194	88				
		H_883SI100	H_883SM100	198	90	184	83	203	92				
		H_883SI112	H_883SM112	202	92	187	85	206	93				
	H_883SI132	H_883SM132	225	102	211	96	230	104					
		Integral Gearmotor (HP)	H_881GH90H4	--	90	41	82	37	101	46	100	45	
			H_882GH90I4		95	43	87	39	106	48	105	48	
			H_882GH100J4		104	47	96	44	115	52	114	52	
			H_882GH112L4		131	59	123	56	142	64	141	64	
			H_882GH132M4		161	73	153	69	172	78	171	78	
			H_882GH132N4		172	78	164	74	183	83	182	83	
			H_882GH160P4		243	110	235	107	254	115	253	115	
			H_882GH160Q4		271	123	263	119	282	128	281	127	
			H_882GH90H4		184	83	169	77	188	85	--		
			H_882GH90I4		189	86	174	79	193	88			
			H_882GH100J4		196	89	181	82	200	91			
			H_882GH112L4		218	99	203	92	222	101			
			H_882GH132M4		284	129	269	122	288	131			
			H_882GH132N4		315	143	300	136	319	145			
			H_882GH160P4		396	180	381	173	400	181			
			H_882GH160Q4		454	206	439	199	458	208			
			H_883GH71C4		174	79	159	72	178	81			
			H_883GH71D4		174	79	159	72	178	81			
			H_883GH71E4		178	81	163	74	182	83			
			H_883GH80F4		178	81	163	74	182	83			
		H_883GH80G4	181	82	166	75	185	84					
	H_883GH90H4	186	84	171	78	190	86						
	H_883GH90I4	191	87	176	80	195	88						
	H_883GH100J4	198	90	183	83	202	92						
	H_883GH112L4	220	100	205	93	224	102						
	H_883GH132M4	286	130	271	123	290	132						

* Weights are Approximate

(L) - See Footnotes page on the inside back cover

NOMENCLATURE PAGE ILH-4	SELECTION GEARMOTOR PAGE ILH-78	DIMENSIONS PAGE ILH-238	THERMAL RATINGS PAGE-ILH-335
----------------------------	------------------------------------	----------------------------	---------------------------------

WEIGHTS - ILH 108

				Output Configuration					
				Foot Mounted		Flange Mounted			
						B14		B5	
Unit Size	Input Configuration	Catalog Number		Weight (lbs) (L)	Weight (Kg) (L)	Weight (lbs) (L)	Weight (Kg) (L)	Weight (lbs) (L)	Weight (Kg) (L)
		NEMA	IEC						
108	Clamp Collar	--	H_1082CI112D	278	126	256	116	294	133
		H_1082CN210TC	H_1082CI132D	289	131	267	121	305	138
		H_1082CN250TC	H_1082CI160D	310	141	289	131	327	148
		H_1082CN280TC	H_1082CI180D	330	150	309	140	347	157
		--	H_1082CI200D	333	151	311	141	349	158
		--	H_1083CI80D	277	126	256	116	294	133
		H_1083CN140TC	H_1083CI90D	277	126	256	116	294	133
		H_1083CN180TC	H_1083CI100D	282	128	260	118	298	135
		--	H_1083CI112D	285	129	264	120	302	137
		H_1083CN210TC	H_1083CI132D	300	136	278	126	316	143
	H_1083CN250TC	H_1083CI160D	326	148	304	138	342	155	
	3 Pc Coupled	--	H_1082LI112D	301	137	280	127	318	144
		H_1082LN210TC	H_1082LI132D	318	144	296	134	334	151
		H_1082LN250TC	H_1082LI160D	364	165	343	156	381	173
		H_1082LN280TC	H_1082LI180D	414	188	392	178	430	195
		--	H_1082LI200D	427	194	405	184	443	201
		--	H_1083LI80D	294	133	272	123	310	141
		H_1083LN140TC	H_1083LI90D	294	133	272	123	310	141
		H_1083LN180TC	H_1083LI100D	305	138	283	128	321	146
		--	H_1083LI112D	309	140	289	131	327	148
		H_1083LN210TC	H_1083LI132D	329	149	307	139	345	156
	H_1083LN250TC	H_1083LI160D	380	172	358	162	396	180	
	Separate Group (Inch / Metric)	H_1082SI112	H_1082SM112	289	131	268	122	306	139
		H_1082SI132	H_1082SM132	309	140	287	130	325	147
		H_1082SI160	H_1082SM160	331	150	309	140	347	157
		H_1082SI180	H_1082SM180	356	161	335	152	373	169
		H_1083SI80	H_1083SM80	284	129	262	119	300	136
		H_1083SI90	H_1083SM90	284	129	263	119	301	137
		H_1083SI100	H_1083SM100	293	133	271	123	309	140
		H_1083SI112	H_1083SM112	297	135	275	125	313	142
		H_1083SI132	H_1083SM132	320	145	298	135	336	152
	H_1083SI160	H_1083SM160	346	157	320	145	358	162	
	Integral Gearmotor (HP)	H_1082GH112L4	--	320	145	299	136	337	153
		H_1082GH132M4	--	384	174	363	165	401	182
		H_1082GH132N4	--	415	188	394	179	432	196
		H_1082GH160P4	--	492	223	470	213	508	230
		H_1082GH160Q4	--	549	249	528	239	566	257
		H_1082GH180R4	--	606	275	584	265	622	282
		H_1082GH180S4	--	628	285	606	275	644	292
		H_1082GH200T4	--	733	332	712	323	750	340
		H_1083GH80G4	--	288	131	267	121	305	138
	H_1083GH90H4	--	293	133	272	123	310	141	

* Weights are Approximate

(L) - See Footnotes page on the inside back cover

NOMENCLATURE PAGE ILH-4	SELECTION GEARMOTOR PAGE ILH-78	DIMENSIONS PAGE ILH-270	THERMAL RATINGS PAGE-ILH-335
----------------------------	------------------------------------	----------------------------	---------------------------------

WEIGHTS - ILH 108 (Continued)

Unit Size	Input Configuration	Catalog Number		Output Configuration					
				Foot Mounted		Flange Mounted			
				Weight (lbs) (L)	Weight (Kg) (L)	B14		B5	
Weight (lbs) (L)	Weight (Kg) (L)	Weight (lbs) (L)	Weight (Kg) (L)						
108	Integral Gearmotor (HP) (Continued)	H_1083GH90I4	--	298	135	277	126	315	143
		H_1083GH100J4		305	138	284	129	322	146
		H_1083GH112L4		328	149	307	139	345	156
		H_1083GH132M4		395	179	374	170	412	187
		H_1083GH132N4		426	193	405	184	443	201
		H_1083GH160P4		508	230	486	220	524	238
		H_1083GH160Q4		565	256	544	247	582	264

* Weights are Approximate

(L) - See Footnotes page on the inside back cover

NOMENCLATURE PAGE ILH-4	SELECTION GEARMOTOR PAGE ILH-78	DIMENSIONS PAGE ILH-270	THERMAL RATINGS PAGE-ILH-335
----------------------------	------------------------------------	----------------------------	---------------------------------

WEIGHTS - ILH 128

				Output Configuration					
				Foot Mounted		Flange Mounted			
						B14		B5	
Unit Size	Input Configuration	Catalog Number		Weight (lbs) (L)	Weight (Kg) (L)	Weight (lbs) (L)	Weight (Kg) (L)	Weight (lbs) (L)	Weight (Kg) (L)
		NEMA	IEC						
128	Clamp Collar	H_1282CN210TC	H_1282CI132D	448	203	398	180	435	197
		H_1282CN250TC	H_1282CI160D	479	217	430	195	467	212
		H_1282CN280TC	H_1282CI180D	487	221	438	199	475	215
		--	H_1282CI200D	490	222	440	200	477	216
		H_1282CN320TC	--	524	238	475	215	512	232
		H_1283CN140TC	H_1283CI90D	447	203	398	180	435	197
		H_1283CN180TC	H_1283CI100D	452	205	402	182	439	199
		--	H_1283CI112D	455	206	405	184	442	200
		H_1283CN210TC	H_1283CI132D	471	214	422	191	459	208
		H_1283CN250TC	H_1283CI160D	496	225	446	202	483	219
	H_1283CN280TC	H_1283CI180D	515	234	465	211	502	228	
	--	H_1283CI200D	517	234	468	212	505	229	
	3 Pc Coupled	H_1282LN210TC	H_1282LI132D	477	216	427	194	464	210
		H_1282LN250TC	H_1282LI160D	533	242	484	220	521	236
		H_1282LN280TC	H_1282LI180D	571	259	521	236	558	253
		--	H_1282LI200D	584	265	534	242	571	259
		H_1282LN320TC	H_1282LI225D	689	312	640	290	677	307
		H_1283LN140TC	H_1283LI90D	464	210	414	188	451	205
		H_1283LN180TC	H_1283LI100D	475	215	425	193	462	210
		--	H_1283LI112D	478	217	429	195	466	211
		H_1283LN210TC	H_1283LI132D	500	227	451	205	488	221
		H_1283LN250TC	H_1283LI160D	549	249	500	227	537	244
	H_1283LN280TC	H_1283LI180D	598	271	549	249	586	266	
	--	H_1283LI200D	611	277	562	255	599	272	
	Separate Group (Inch / Metric)	H_1282SI132	H_1282SM132	467	212	418	190	455	206
		H_1282SI160	H_1282SM160	500	227	450	204	487	221
		H_1282SI180	H_1282SM180	513	233	464	210	501	227
		H_1282SI225	H_1282SM225	576	261	527	239	564	256
		H_1283SI90	H_1283SM90	454	206	405	184	442	200
		H_1283SI100	H_1283SM100	463	210	414	188	451	205
		H_1283SI112	H_1283SM112	466	211	417	189	454	206
		H_1283SI132	H_1283SM132	491	223	442	200	479	217
		H_1283SI160	H_1283SM160	516	234	467	212	504	229
	H_1283SI180	H_1283SM180	541	245	491	223	528	239	
	Integral Gearmotor (HP)	H_1282GH132M4	--	543	246	494	224	531	241
		H_1282GH132N4	--	574	260	525	238	562	255
		H_1282GH160P4	--	660	299	612	278	649	294
		H_1282GH160Q4	--	718	326	669	303	706	320
		H_1282GH180R4	--	762	346	713	323	750	340
		H_1282GH180S4	--	785	356	735	333	772	350
		H_1282GH200T4	--	890	404	841	381	878	398
	H_1282GH225U4	--	1087	493	1038	471	1075	488	

* Weights are Approximate

(L) - See Footnotes page on the inside back cover

NOMENCLATURE PAGE ILH-4	SELECTION GEARMOTOR PAGE ILH-78	DIMENSIONS PAGE ILH-286	THERMAL RATINGS PAGE-ILH-335
----------------------------	------------------------------------	----------------------------	---------------------------------

WEIGHTS - ILH 128 (Continued)

Unit Size	Input Configuration	Catalog Number		Output Configuration					
				Foot Mounted		Flange Mounted			
				Weight (lbs) (L)	Weight (Kg) (L)	B14		B5	
Weight (lbs) (L)	Weight (Kg) (L)	Weight (lbs) (L)	Weight (Kg) (L)						
128	Integral Gearmotor (HP) (Continued)	H_1283GH90H4	--	463	210	414	188	451	205
		H_1283GH90I4		468	212	419	190	456	207
		H_1283GH100J4		475	215	426	193	463	210
		H_1283GH112L4		497	225	448	203	485	220
		H_1283GH132M4		567	257	518	235	555	252
		H_1283GH132N4		598	271	548	249	585	265
		H_1283GH160P4		677	307	628	285	665	302
		H_1283GH160Q4		735	333	686	311	723	328
		H_1283GH180R4		790	358	741	336	778	353
		H_1283GH180S4		812	368	763	346	800	363
		H_1283GH200T4		918	416	869	394	906	411

* Weights are Approximate

(L) - See Footnotes page on the inside back cover

QUANTIS

QUANTIS GOLD

ILH

RHB

MSM

NOMENCLATURE PAGE ILH-4	SELECTION GEARMOTOR PAGE ILH-78	DIMENSIONS PAGE ILH-286	THERMAL RATINGS PAGE-ILH-335
----------------------------	------------------------------------	----------------------------	---------------------------------

WEIGHTS - ILH 148

				Output Configuration					
				Foot Mounted		Flange Mounted			
						B14		B5	
Unit Size	Input Configuration	Catalog Number		Weight (lbs) (L)	Weight (Kg) (L)	Weight (lbs) (L)	Weight (Kg) (L)	Weight (lbs) (L)	Weight (Kg) (L)
		NEMA	IEC						
148	Clamp Collar	H_1482CN210TC	H_1482CI132D	646	293	595	270	656	298
		H_1482CN250TC	H_1482CI160D	666	302	615	279	676	307
		H_1482CN280TC	H_1482CI180D	684	310	633	287	694	315
		--	H_1482CI200D	687	312	635	288	696	316
		H_1482CN320TC	--	715	324	663	301	724	328
		H_1482CN360TC	--	765	347	713	323	774	351
		H_1483CN180TC	H_1483CI100D	654	297	602	273	663	301
		--	H_1483CI112D	655	297	604	274	665	302
		H_1483CN210TC	H_1483CI132D	670	304	619	281	680	308
		H_1483CN250TC	H_1483CI160D	693	314	641	291	702	318
		H_1483CN280TC	H_1483CI180D	711	322	660	299	721	327
		--	H_1483CI200D	714	324	662	300	723	328
	H_1483CN320TC	--	744	337	692	314	753	341	
	3 Pc Coupled	H_1482LN210TC	H_1482LI132D	675	306	623	283	684	310
		H_1482LN250TC	H_1482LI160D	720	327	668	303	729	331
		H_1482LN280TC	H_1482LI180D	768	348	716	325	777	352
		--	H_1482LI200D	781	354	729	331	790	358
		H_1482LN320TC	H_1482LI225D	879	399	828	376	889	403
		H_1482LN360TC	H_1482LI250D	958	434	906	411	967	439
		H_1483LN180TC	H_1483LI100D	676	307	625	283	686	311
		--	H_1483LI112D	679	308	627	284	688	312
		H_1483LN210TC	H_1483LI132D	699	317	647	293	708	321
		H_1483LN250TC	H_1483LI160D	747	339	695	315	756	343
		--	H_1483LI180D	795	361	743	337	804	365
		H_1483LN280TC	H_1483LI200D	808	366	756	343	817	371
	H_1483LN320TC	H_1483LI225D	909	412	857	389	918	416	
	Separate Group Inch / Metric	H_1482SI132	H_1482SM132	666	302	614	278	675	306
		H_1482SI160	H_1482SM160	687	312	635	288	696	316
		H_1482SI180	H_1482SM180	710	322	659	299	720	327
		H_1482SI225	H_1482SM225	766	347	715	324	776	352
		H_1482SI250	H_1482SM250	785	356	733	332	794	360
		H_1483SI100	H_1483SM100	665	302	613	278	674	306
		H_1483SI112	H_1483SM112	667	302	615	279	676	307
		H_1483SI132	H_1483SM132	690	313	638	289	699	317
		H_1483SI160	H_1483SM160	713	323	661	300	722	327
		H_1483SI180	H_1483SM180	738	335	686	311	747	339
		H_1483SI225	H_1483SM225	796	361	744	337	805	365
		Integral Gearmotor HP	H_1482GH132M4	--	741	336	690	313	751
	H_1482GH132N4		--	773	351	721	327	782	355
	H_1482GH160P4		--	848	385	797	361	858	389

* Weights are Approximate
(L) - See Footnotes page on the inside back cover

NOMENCLATURE PAGE ILH-4	SELECTION GEARMOTOR PAGE ILH-78	DIMENSIONS PAGE ILH-302	THERMAL RATINGS PAGE-ILH-335
----------------------------	------------------------------------	----------------------------	---------------------------------

WEIGHTS - ILH 148 (Continued)

Unit Size	Input Configuration	Catalog Number		Output Configuration					
				Foot Mounted		Flange Mounted			
				Weight (lbs) (L)	Weight (Kg) (L)	B14		B5	
Weight (lbs) (L)	Weight (Kg) (L)	Weight (lbs) (L)	Weight (Kg) (L)						
148	Integral Gearmotor HP (Continued)	H_1482GH160Q4	--	905	410	854	387	915	415
		H_1482GH180R4		960	435	908	412	969	439
		H_1482GH180S4		982	445	930	422	991	449
		H_1482GH200T4		1088	493	1036	470	1097	498
		H_1482GH225U4		1277	579	1226	556	1287	584
		H_1483GH100J4		677	307	625	283	686	311
		H_1483GH112L4		698	317	647	293	708	321
		H_1483GH132M4		766	347	714	324	775	351
		H_1483GH132N4		796	361	745	338	806	366
		H_1483GH160P4		875	397	823	373	884	401
		H_1483GH160Q4		932	423	880	399	941	427
		H_1483GH180R4		987	448	935	424	996	452
		H_1483GH180S4		1009	458	957	434	1018	462
		H_1483GH200T4		1115	506	1063	482	1124	510
H_1483GH225U4	1307	593	1255	569	1316	597			

* Weights are Approximate
 (L) - See Footnotes page on the inside back cover

NOMENCLATURE PAGE ILH-4	SELECTION GEARMOTOR PAGE ILH-78	DIMENSIONS PAGE ILH-302	THERMAL RATINGS PAGE-ILH-335
----------------------------	------------------------------------	----------------------------	---------------------------------

WEIGHTS - ILH 168

				Output Configuration					
				Foot Mounted		Flange Mounted			
						B14		B5	
Unit Size	Input Configuration	Catalog Number		Weight (lbs) (L)	Weight (Kg) (L)	Weight (lbs) (L)	Weight (Kg) (L)	Weight (lbs) (L)	Weight (Kg) (L)
		NEMA	IEC						
168	Clamp Collar	H_1682CN210TC	H_1682CI132D	1011	459	916	415	984	446
		H_1682CN250TC	H_1682CI160D	1030	467	935	424	1003	455
		H_1682CN280TC	H_1682CI180D	1048	475	952	432	1020	463
		--	H_1682CI200D	1050	476	955	433	1023	464
		H_1682CN320TC	--	1077	488	982	445	1050	476
		H_1682CN360TC	--	1127	511	1031	468	1099	498
		H_1683CN210TC	H_1683CI132D	1050	476	954	433	1022	463
		H_1683CN250TC	H_1683CI160D	1071	486	976	443	1044	473
		H_1683CN280TC	H_1683CI180D	1090	494	994	451	1062	482
		--	H_1683CI200D	1092	495	997	452	1065	483
		H_1683CN320TC	--	1121	508	1026	465	1094	496
		H_1683CN360TC	--	1172	532	1077	488	1145	519
	3 Pc Coupled	H_1682LN210TC	H_1682LI132D	1040	472	944	428	1012	459
		H_1682LN250TC	H_1682LI160D	1084	492	989	449	1057	479
		H_1682LN280TC	H_1682LI180D	1131	513	1036	470	1104	501
		--	H_1682LI200D	1145	519	1049	476	1117	507
		H_1682LN320TC	H_1682LI225D	1242	563	1147	520	1215	551
		H_1682LN360TC	H_1682LI250D	1320	599	1225	556	1293	586
		H_1683LN210TC	H_1683LI132D	1078	489	983	446	1051	477
		H_1683LN250TC	H_1683LI160D	1125	510	1030	467	1098	498
		H_1683LN280TC	H_1683LI180D	1173	532	1078	489	1146	520
		--	H_1683LI200D	1186	538	1091	495	1159	526
		H_1683LN320TC	H_1683LI225D	1286	583	1191	540	1259	571
		H_1683LN360TC	H_1683LI250D	1366	620	1270	576	1338	607
	Separate Group (Inch / Metric)	H_1682SI132	H_1682SM132	1031	468	935	424	1003	455
		H_1682SI160	H_1682SM160	1050	476	955	433	1023	464
		H_1682SI180	H_1682SM180	1074	487	979	444	1047	475
		H_1682SI225	H_1682SM225	1129	512	1034	469	1102	500
		H_1682SI250	H_1682SM250	1147	520	1052	477	1120	508
		H_1683SI132	H_1683SM132	1069	485	974	442	1042	473
		H_1683SI160	H_1683SM160	1091	495	996	452	1064	483
		H_1683SI180	H_1683SM180	1116	506	1020	463	1088	493
		H_1683SI225	H_1683SM225	1173	532	1078	489	1146	520
		H_1683SI250	H_1683SM250	1193	541	1097	498	1165	528
	Integral Gearmotor (HP)	H_1682GH132M4	--	1106	502	1011	459	1079	489
		H_1682GH132N4	--	1137	516	1042	473	1110	503
H_1682GH160P4		--	1212	550	1116	506	1184	537	
H_1682GH160Q4		--	1269	576	1174	532	1242	563	
H_1682GH180R4		--	1323	600	1228	557	1296	588	
H_1682GH180S4		--	1345	610	1250	567	1318	598	

* Weights are Approximate
(L) - See Footnotes page on the inside back cover

NOMENCLATURE PAGE ILH-4	SELECTION GEARMOTOR PAGE ILH-78	DIMENSIONS PAGE ILH-318	THERMAL RATINGS PAGE-ILH-335
----------------------------	------------------------------------	----------------------------	---------------------------------

WEIGHTS - ILH 168 (Continued)

Unit Size	Input Configuration	Catalog Number		Output Configuration					
				Foot Mounted		Flange Mounted			
				Weight (lbs) (L)	Weight (Kg) (L)	B14		B5	
Weight (lbs) (L)	Weight (Kg) (L)	Weight (lbs) (L)	Weight (Kg) (L)						
168	Integral Gearmotor (HP) (Continued)	H_1682GH200T4	--	1451	658	1356	615	1424	646
		H_1682GH225U4		1640	744	1545	701	1613	732
		H_1683GH132M4		1145	519	1050	476	1118	507
		H_1683GH132N4		1176	533	1080	490	1148	521
		H_1683GH160P4		1253	568	1157	525	1225	556
		H_1683GH160Q4		1310	594	1215	551	1283	582
		H_1683GH180R4		1365	619	1269	576	1337	606
		H_1683GH180S4		1387	629	1291	585	1359	616
		H_1683GH200T4		1493	677	1397	634	1465	664
	H_1683GH225U4	1684	764	1589	721	1657	751		

* Weights are Approximate

(L) - See Footnotes page on the inside back cover

NOMENCLATURE PAGE ILH-4	SELECTION GEARMOTOR PAGE ILH-78	DIMENSIONS PAGE ILH-318	THERMAL RATINGS PAGE-ILH-335
----------------------------	------------------------------------	----------------------------	---------------------------------

QUANTIS - RHB

Mounting Options	RHB-3
Nomenclature	RHB-5
Mounting Positions and Oil Quantities	RHB-11
Overhung Loads.	RHB-16
Selection - Reducer - 60 Hz	
RHB 38	RHB-18
RHB 48	RHB-23
RHB 68	RHB-27
RHB 88	RHB-31
RHB 108	RHB-35
RHB 128	RHB-39
RHB 148	RHB-43
RHB 168	RHB-47
Stock/Non-Stock Part Numbers	RHB-50
Selection - Integral Gearmotor - 60 HZ	RHB-63
Dimension	
RHB 38	RHB-90
RHB 48	RHB-122
RHB 68	RHB-154
RHB 88	RHB-186
RHB 108	RHB-218
RHB 128	RHB-250
RHB 148	RHB-282
RHB 168	RHB-314
Shrink Disk Dimensions	RHB-346
Tie Rod Kit	RHB-348
Torque Arm Bracket.	RHB-349
Selection/Dimension	
Twin Tapered Bushing	RHB-350
Screw Conveyor	RHB-356
Thermal Ratings	RHB-364
Weights	RHB-372
Part Number Index	Index-1

CONTENTS



QUANTIS

QUANTIS GOLD

LH

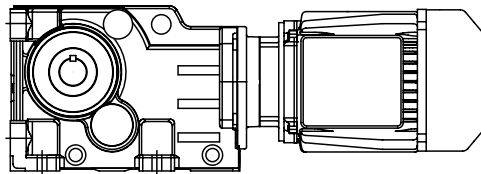
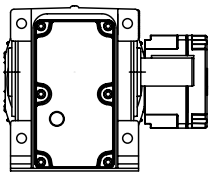
RHB

MSM

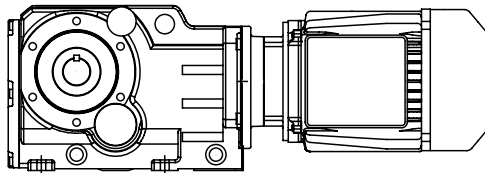
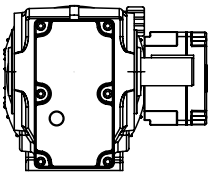
MOUNTING OPTIONS



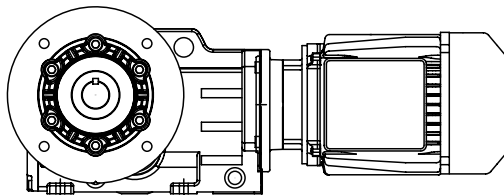
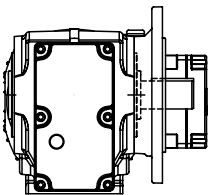
RHB MOUNTING OPTIONS



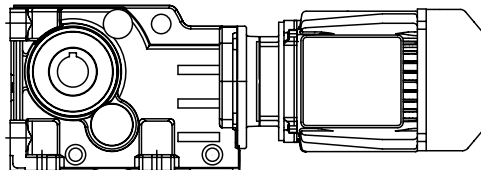
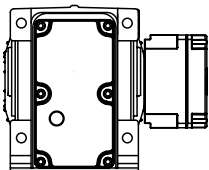
BB..3../.S..
 Right-Angle Helical Bevel
 Foot Mounted
 Triple Reduction
 Solid Shaft



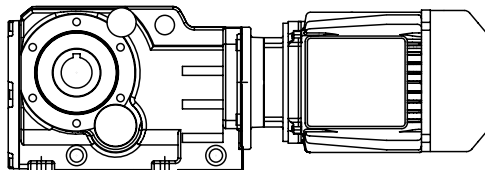
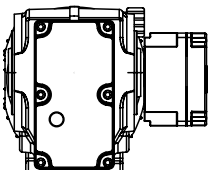
BF..3../.S..B14.
 Right-Angle Helical Bevel
 B14 Flange Mounted
 Triple Reduction
 Solid Shaft



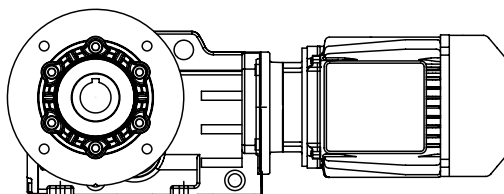
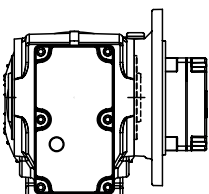
BF..3../.S..B5.
 Right-Angle Helical Bevel
 B5 Flange Mounted
 Triple Reduction
 Solid Shaft



BB..3../.H..
 Right-Angle Helical Bevel
 Foot Mounted
 Triple Reduction
 Hollow Shaft



BF..3../.H..B14.
 Right-Angle Helical Bevel
 B14 Flange Mounted
 Triple Reduction
 Hollow Shaft



BF..3../.H..B5.
 Right-Angle Helical Bevel
 B5 Flange Mounted
 Triple Reduction
 Hollow Shaft

MOUNTING POSITIONS
 PAGE RHB-11

SELECTION GEARMOTOR
 PAGE RHB-63

DIMENSIONS
 PAGE RHB-90

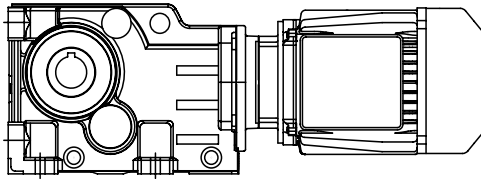
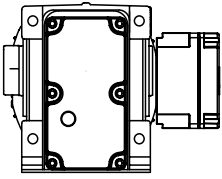
THERMAL RATINGS
 PAGE RHB-364

MOUNTING OPTIONS



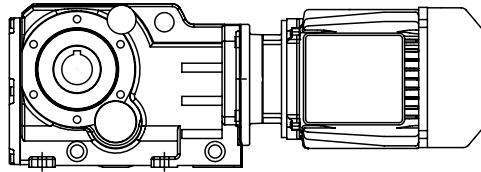
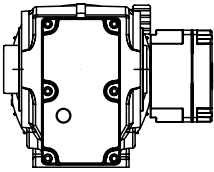
RHB MOUNTING OPTIONS

QUANTIS



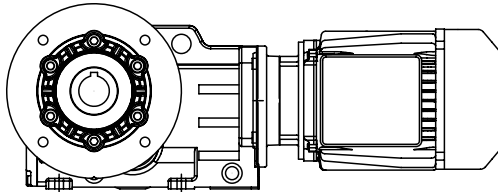
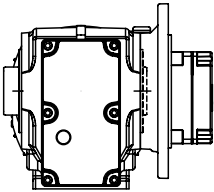
BB..3.../.C..
 Right-Angle Helical Bevel
 Foot Mounted
 Triple Reduction
 Shrink Disk

QUANTIS GOLD



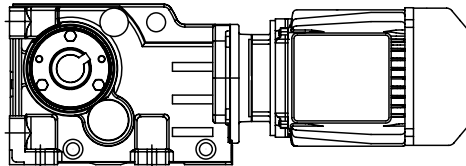
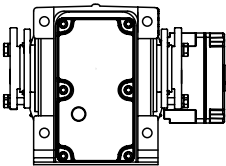
BF..3.../.C..B14
 Right-Angle Helical Bevel
 B14 Flange Mounted
 Triple Reduction
 Shrink Disk

ILH



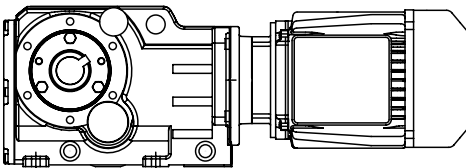
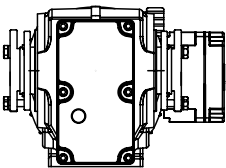
BF..3.../.C..B5
 Right-Angle Helical Bevel
 B5 Flange Mounted
 Triple Reduction
 Shrink Disk

RHB



BB..3.../.T..
 Right-Angle Helical Bevel
 Foot Mounted
 Triple Reduction
 Twin Tapered Bushing

MSM



BF..3.../.T..B14*
 Right-Angle Helical Bevel
 B14 Flange Mounted
 Triple Reduction
 Twin Tapered Bushing

* B5 flange is not usable when the unit utilizes the twin-tapered bushing option. This housing style may be used, however, the Torque Arm Bracket or Tie Rod Kit is required.

MOUNTING POSITIONS PAGE RHB-11	SELECTION GEARMOTOR PAGE RHB-63	DIMENSIONS PAGE RHB-90	THERMAL RATINGS PAGE RHB-364
-----------------------------------	------------------------------------	---------------------------	---------------------------------

RIGHT ANGLE HELICAL BEVEL C-FACE REDUCERS (RHB)

Ex:

1	2	3	4	5	6	7	/	8	9	9a	10	10a	10b	11	11a	11b	12	13	13a	13b
B	F	38	3	L	N	56C	/	9.72	A1	A	H	I	1.250	-	-	-	K	-	-	-

1. PRODUCT TYPE

B = RHB

2. OUTPUT CONFIGURATION

B = Foot Mounted
F = Flange / Shaft Mounted

3. UNIT SIZE

38 48 68 88
108 128 148 168

4. STAGE OF REDUCTION

3 = Triple Reduction

5. INPUT CONFIGURATION

C = Clamp Collar
L = 3 Pc Coupling

6. MOTOR TYPE

N = Nema
I = IEC

7. MOTOR FRAME

NEMA

56C 140TC 180TC 210TC
250TC 280TC 320TC 360TC

IEC

71D 80D 90D 100D 112D 132D
160D 180D 200D 225D 250D

8. RATIO (Use Actual Ratios From Selection Pages)

RHB 38	5.65 - 179.13
RHB 48	7.22 - 169.53
RHB 68	5.36 - 243.72
RHB 88	5.54 - 302.38
RHB 108	7.68 - 307.24
RHB 128	7.10 - 295.38
RHB 148	4.83 - 306.08
RHB 168	6.61 - 287.95

9. MOUNTING POSITIONS (See page RHB-11)

A1	A2	A3
A4	A5	A6

9a. OUTPUT SHAFT POSITION

A B AB

10. OUTPUT SHAFT TYPE

S = Single Extension Solid Shaft
H = Straight Hollow Bore
T = Tapered Hollow Bore
D = Double Extension solid Shaft
C = Shrink Disk

10a. OUTPUT SHAFT DIMENSION

I = Inch
M = Metric

10b. OUTPUT SHAFT DIAMETER

Single / Double Extension Solid Shaft

	Std		Optional	
RHB 38	1.000"	1.375"	25mm	35mm
RHB 48	1.250"	1.625"	30mm	40mm
RHB 68	1.625"	2.000"	40mm	50mm
RHB 88	2.000"	2.750"	50mm	70mm
RHB 108	2.375"	3.1875"	60mm	80mm
RHB 128	2.875"	3.625"	70mm	90mm
RHB 148	3.625"	4.000"	90mm	100mm
RHB 168	4.375"	4.750"	110mm	120mm

Hollow Bore

	Std		Optional	
RHB 38	1.250"	--	30mm	--
RHB 48	1.375"	--	35mm	--
RHB 68	1.500"	1.4375"	40mm	45mm
RHB 88	2.000"	1.9375"	50mm	60mm
RHB 108	2.375"	2.4375"	60mm	70mm
RHB 128	2.750"	2.9375"	70mm	80mm
RHB 148	3.625"	3.4375"	80mm	90mm
RHB 168	4.000"	3.9375"	100mm	110mm

Shrink Disk

RHB 38	30mm	RHB 108	70mm
RHB 48	40mm	RHB 128	80mm
RHB 68	50mm	RHB 148	95mm
RHB 88	60mm	RHB 168	105mm

Tapered Hollow (See Pages RHB-350 - RHB-357)

(Continued on Next Page)

MOUNTING POSITIONS PAGE RHB-11	SELECTION REDUCER PAGE RHB-18	DIMENSIONS PAGE RHB-90	THERMAL RATINGS PAGE RHB-364
-----------------------------------	----------------------------------	---------------------------	---------------------------------

RIGHT ANGLE HELICAL BEVEL C-FACE REDUCERS (RHB)

Ex:

1	2	3	4	5	6	7	/	8	9	9a	10	10a	10b	11	11a	11b	12	13	13a	13b
B	F	38	3	L	N	56C	/	9.72	A1	A	H	I	1.250	-	-	-	K	-	-	-

11. OUTPUT FLANGE TYPE (BF Style Housing)

B5
B14 (STD)

13. SCREW CONVEYOR DRIVE

(RHB 38 - 128 - BF Style Housing)

SCS = Screw Conveyor with Drive Shaft
SCN = Screw Conveyor - No Drive Shaft

11a. OUTPUT FLANGE DIAMETER

	B5 Flange	B14 Flange
RHB 38	160mm	120mm
RHB 48	200mm	132mm
RHB 68	250mm	150mm
RHB 88	300mm	190mm
RHB 108	350mm	245mm
RHB 128	450mm	295mm
RHB 148	450mm	335mm
RHB 168	550mm	400mm

13a. SCREW CONVEYOR DRIVE SHAFT DIAMETER

RHB 38	1.500"			
RHB 48	1.500"	2.000"		
RHB 68	1.500"	2.000"	2.4375"	
RHB 88	2.000"	2.4375"	3.000"	
RHB 108	2.000"	2.4375"	3.000"	
RHB 128	2.000"	2.4375"	3.000"	3.4375"

11b. OUTPUT FLANGE POSITION

A B AB

13b. SCREW CONVEYOR ADAPTER

S = Standard
XT = Harsh Duty

12. TORQUE ARM OPTION (BF Style Housing)

K = Torque Arm Bracket
KR = Tie Rod Kit

MOUNTING POSITIONS PAGE RHB-11	SELECTION REDUCER PAGE RHB-18	DIMENSIONS PAGE RHB-90	THERMAL RATINGS PAGE RHB-364
-----------------------------------	----------------------------------	---------------------------	---------------------------------

RIGHT ANGLE HELICAL BEVEL SEPARATE REDUCERS (RHB)

Ex:

1	2	3	4	5	6	7	/	8	9	9a	10	10a	10b	11	11a	11b	12	13	13a	13b
B	F	88	3	S	I	90	/	5.54	A4	-	T	I	1.9375	-	-	-	K	-	-	-

1. PRODUCT TYPE

B = RHB

2. OUTPUT CONFIGURATION

B = Foot Mounted

F = Flange / Shaft Mounted

3. UNIT SIZE

38 48 68 88
108 128 148 168

4. STAGE OF REDUCTION

3 = Triple Reduction

5. INPUT CONFIGURATION

S = Separate

6. INPUT SHAFT DIMENSION

I = Inch

M = Metric

7. SEPARATE GROUP

71 80 90 100 112
132 160 180 225 250

8. RATIO (Use Actual Ratios From Selection Pages)

RHB 38	5.65	-	179.13
RHB 48	7.22	-	169.53
RHB 68	5.36	-	243.72
RHB 88	5.54	-	302.38
RHB 108	7.68	-	307.24
RHB 128	7.10	-	295.38
RHB 148	4.83	-	306.08
RHB 168	6.61	-	287.95

9. MOUNTING POSITIONS (See page RHB-11)

A1	A2	A3
A4	A5	A6

9a. OUTPUT SHAFT POSITION

A B AB

10. OUTPUT SHAFT TYPE

S = Single Extension Solid Shaft

H = Straight Hollow Bore

T = Tapered Hollow Bore

D = Double Extension solid Shaft

C = Shrink Disk

10a. OUTPUT SHAFT DIMENSION

I = Inch

M = Metric

10b. OUTPUT SHAFT DIAMETER

Single / Double Extension Solid Shaft

	Std		Optional	
RHB 38	1.000"	1.375"	25mm	35mm
RHB 48	1.250"	1.625"	30mm	40mm
RHB 68	1.625"	2.000"	40mm	50mm
RHB 88	2.000"	2.750"	50mm	70mm
RHB 108	2.375"	3.1875"	60mm	80mm
RHB 128	2.875"	3.625"	70mm	90mm
RHB 148	3.625"	4.000"	90mm	100mm
RHB 168	4.375"	4.750"	110mm	120mm

Hollow Bore

	Std		Optional	
RHB 38	1.250"	--	30mm	--
RHB 48	1.375"	--	35mm	--
RHB 68	1.500"	1.4375"	40mm	45mm
RHB 88	2.000"	1.9375"	50mm	60mm
RHB 108	2.375"	2.4375"	60mm	70mm
RHB 128	2.750"	2.9375"	70mm	80mm
RHB 148	3.625"	3.4375"	80mm	90mm
RHB 168	4.000"	3.9375"	100mm	110mm

Shrink Disk

RHB 38	30mm	RHB 108	70mm
RHB 48	40mm	RHB 128	80mm
RHB 68	50mm	RHB 148	95mm
RHB 88	60mm	RHB 168	105mm

Tapered Hollow (See Pages RHB-350 - RHB-357)

(Continued on Next Page)

MOUNTING POSITIONS PAGE RHB-11	SELECTION REDUCER PAGE RHB-18	DIMENSIONS PAGE RHB-90	THERMAL RATINGS PAGE RHB-364
-----------------------------------	----------------------------------	---------------------------	---------------------------------

NOMENCLATURE



QUANTIS

QUANTIS GOLD

LH

RHB

MSM

RIGHT ANGLE HELICAL BEVEL SEPARATE REDUCERS (RHB)

Ex:

1	2	3	4	5	6	7	/	8	9	9a	10	10a	10b	11	11a	11b	12	13	13a	13b
B	F	88	3	S	I	90	/	5.54	A4	-	T	I	1.9375	-	-	-	K	-	-	-

11. OUTPUT FLANGE TYPE (BF Style Housing)

- B5
- B14 (STD)

13. SCREW CONVEYOR DRIVE

(RHB 38 - 128 - BF Style Housing)

- SCS = Screw Conveyor with Drive Shaft
- SCN = Screw Conveyor - No Drive Shaft

11a. OUTPUT FLANGE DIAMETER

	B5 Flange	B14 Flange
RHB 38	160mm	120mm
RHB 48	200mm	132mm
RHB 68	250mm	150mm
RHB 88	300mm	190mm
RHB 108	350mm	245mm
RHB 128	450mm	295mm
RHB 148	450mm	335mm
RHB 168	550mm	400mm

13a. SCREW CONVEYOR DRIVE SHAFT DIAMETER

RHB 38	1.500"		
RHB 48	1.500"	2.000"	
RHB 68	1.500"	2.000"	2.4375"
RHB 88	2.000"	2.4375"	3.000"
RHB 108	2.000"	2.4375"	3.000"
RHB 128	2.000"	2.4375"	3.000" 3.4375"

11b. OUTPUT FLANGE POSITION

- A
- B
- AB

13b. SCREW CONVEYOR ADAPTER

- S = Standard
- XT = Harsh Duty

12. TORQUE ARM OPTION (BF Style Housing)

- K = Torque Arm Bracket
- KR = Tie Rod Kit

MOUNTING POSITIONS PAGE RHB-11	SELECTION REDUCER PAGE RHB-18	DIMENSIONS PAGE RHB-90	THERMAL RATINGS PAGE RHB-364
-----------------------------------	----------------------------------	---------------------------	---------------------------------

RIGHT ANGLE HELICAL BEVEL INTEGRAL GEARMOTORS (RHB)

Ex:

1	2	3	4	5	6	7	-	8	9	9a	10	10a	10b	11	11a	11b	12	13	13a	13b	14
B	F	38	3	G	H	80F4	/	9.72	A1	A	S	I	1.000	B5	160MM	A	-	-	-	-	L8

1. PRODUCT TYPE

B = RHB

2. OUTPUT CONFIGURATION

B = Foot Mounted

F = Flange / Shaft Mounted

3. UNIT SIZE

38 48 68 88
108 128 148 168

4. STAGE OF REDUCTION

3 = Triple Reduction

5. INPUT CONFIGURATION

G = Integral Gearmotor

6. MOTOR TYPE

H = Horsepower

7. MOTOR FRAME

71C4	.25 Hp	90I4	2 Hp
71D4	.33 Hp	100J4	3 Hp
71E 4	.50 Hp	112L4	5 Hp
80F4	.75 Hp	132M4	7.5 Hp
80G4	1 Hp	132N4	10 Hp
90H4	1.5 Hp		

8. RATIO (Use Actual Ratios From Selection Pages)

RHB 38	5.65 - 179.13
RHB 48	7.22 - 169.53
RHB 68	5.36 - 243.72
RHB 88	5.54 - 302.68
RHB 108	7.68 - 307.24
RHB 128	7.10 - 295.38
RHB 148	4.83 - 306.08
RHB 168	6.61 - 287.95

9. MOUNTING POSITIONS (See page RHB-11)

A1	A2	A3
A4	A5	A6

9a. OUTPUT SHAFT POSITION

A B AB

10. OUTPUT SHAFT TYPE

S = Single Extension Solid Shaft

H = Straight Hollow Bore

T = Tapered Hollow Bore

D = Double Extension solid Shaft

C = Shrink Disk

10a. OUTPUT SHAFT DIMENSION

I = Inch

M = Metric

10b. OUTPUT SHAFT DIAMETER

Single / Double Extension Solid Shaft

	Std		Optional	
RHB 38	1.000"	1.375"	25mm	35mm
RHB 48	1.250"	1.625"	30mm	40mm
RHB 68	1.625"	2.000"	40mm	50mm
RHB 88	2.000"	2.750"	50mm	70mm
RHB 108	2.375"	3.1875"	60mm	80mm
RHB 128	2.875"	3.625"	70mm	90mm
RHB 148	3.625"	4.000"	90mm	100mm
RHB 168	4.375"	4.750"	110mm	120mm

Hollow Bore

	Std		Optional	
RHB 38	1.250"	--	30mm	--
RHB 48	1.375"	--	35mm	--
RHB 68	1.500"	1.4375"	40mm	45mm
RHB 88	2.000"	1.9375"	50mm	60mm
RHB 108	2.375"	2.4375"	60mm	70mm
RHB 128	2.750"	2.9375"	70mm	80mm
RHB 148	3.625"	3.4375"	80mm	90mm
RHB 168	4.000"	3.9375"	100mm	110mm

Shrink Disk

RHB 38	30mm	RHB 108	70mm
RHB 48	40mm	RHB 128	80mm
RHB 68	50mm	RHB 148	95mm
RHB 88	60mm	RHB 168	105mm

Tapered Hollow (See Pages RHB-350 - RHB-357)

(Continued on Next Page)

MOUNTING POSITIONS PAGE RHB-11	SELECTION GEARMOTOR PAGE RHB-63	DIMENSIONS PAGE RHB-96	THERMAL RATINGS PAGE RHB-364
-----------------------------------	------------------------------------	---------------------------	---------------------------------

NOMENCLATURE



QUANTIS

QUANTIS GOLD

LH

RHB

MSM

RIGHT ANGLE HELICAL BEVEL INTEGRAL GEARMOTORS (RHB)

Ex:

1	2	3	4	5	6	7	-	8	9	9a	10	10a	10b	11	11a	11b	12	13	13a	13b	14
B	F	38	3	G	H	80F4	/	9.72	A1	A	S	I	1.000	B5	160MM	A	-	-	-	-	L8

11. OUTPUT FLANGE TYPE (BF Style Housing)

- B5
- B14 (STD)

13. SCREW CONVEYOR DRIVE (RHB 38 - 128 - BF Style Housing)

- SCS = Screw Conveyor with Drive Shaft
- SCN = Screw Conveyor - No Drive Shaft

11a. OUTPUT FLANGE DIAMETER (BF Style Housing)

	B5 Flange	B14 Flange
RHB 38	160mm	120mm
RHB 48	200mm	132mm
RHB 68	250mm	150mm
RHB 88	300mm	190mm
RHB 108	350mm	245mm
RHB 128	450mm	295mm
RHB 148	450mm	335mm
RHB 168	550mm	400mm

13a. SCREW CONVEYOR DRIVE SHAFT DIAMETER

RHB 38	1.500"			
RHB 48	1.500"	2.000"		
RHB 68	1.500"	2.000"	2.4375"	
RHB 88	2.000"	2.4375"	3.000"	
RHB 108	2.000"	2.4375"	3.000"	
RHB 128	2.000"	2.4375"	3.000"	3.4375"

11b. OUTPUT FLANGE POSITION

- A
- B
- AB

13b. SCREW CONVEYOR ADAPTER

- S = Standard
- XT = Harsh Duty

12. TORQUE ARM OPTION (BF Style Housing)

- K = Torque Arm Bracket
- KR = Tie Rod Kit

14. BRAKE

L4 (3 ft / lb)	L32 (24 ft / lb)
L8 (6 ft / lb)	L60 (44 ft / lb)
L16 (12 ft / lb)	L80 (59 ft / lb)

MOUNTING POSITIONS



RIGHT ANGLE HELICAL BEVEL C-FACE REDUCERS & INTEGRAL GEARMOTORS

These mounting arrangements are for all output configurations and output shaft types **IMPORTANT! When ordering, please specify mounting position for correct oil quantity.** In cases of mounting position other than shown here with regard to the oil quantity, please reference the Incline Mounting page, QUANTIS-23, and contact Application Engineering.

NOTE: The oil volumes shown are approximate values and cannot be used to correctly set the reducer oil level - **ALWAYS** fill the reducer to the correct oil level plug and recheck in 1 week.



Oil level



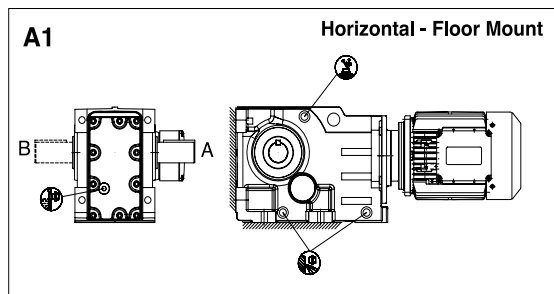
Ventilation



Oil drain

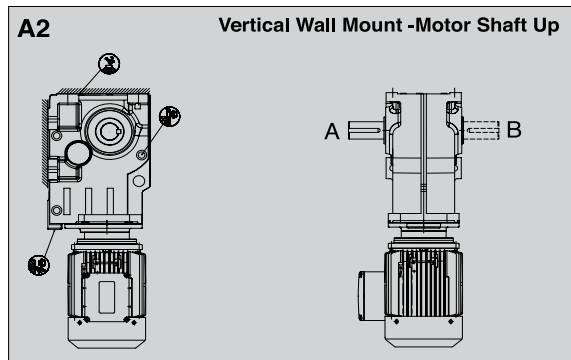
A1

Unit Size	Reduction Stage	Pints	Liters
38	3	1.0	0.5
48	3	1.5	0.7
68	3	2.7	1.3
88	3	4.7	2.2
108	3	11.7	5.5
128	3	17.5	8.3
148	3	31.2	14.8
168	3	45.8	21.7



A2

Unit Size	Reduction Stage	Pints	Liters
38	3	1.8	0.8
48	3	2.5	1.2
68	3	5.1	2.4
88	3	9.7	4.6
108	3	17.6	8.3
128	3	31.2	14.8
148	3	47.3	22.4
168	3	73.6	34.8



RHB 38 units are sealed for life and are furnished with only one plug for filling and draining.

NOTE: Shaded A2 Mounting is not a recommended mounting position due to the weight of oil on the high speed input seal.

NOMENCLATURE PAGE RHB-5	OVERHUNG LOADS PAGE RHB-16	SELECTION GEARMOTOR PAGE RHB-63	WEIGHTS PAGE RHB-372
----------------------------	-------------------------------	------------------------------------	-------------------------

MOUNTING POSITIONS



QUANTIS

QUANTIS GOLD

ILH

RHB

MSW

RIGHT ANGLE HELICAL BEVEL C-FACE REDUCERS & INTEGRAL GEARMOTORS

These mounting arrangements are for all output configurations and output shaft types **IMPORTANT! When ordering, please specify mounting position for correct oil quantity.** In cases of mounting position other than shown here with regard to the oil quantity, please reference the Incline Mounting page, QUANTIS-23, and contact Application Engineering.

NOTE: The oil volumes shown are approximate values and cannot be used to correctly set the reducer oil level - **ALWAYS** fill the reducer to the correct oil level plug and recheck in 1 week.



Oil level



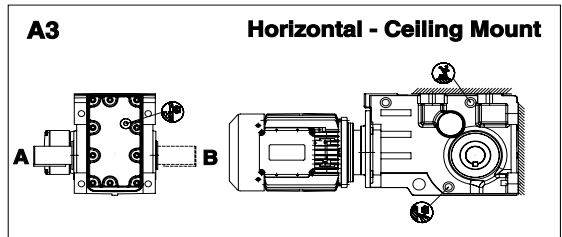
Ventilation



Oil drain

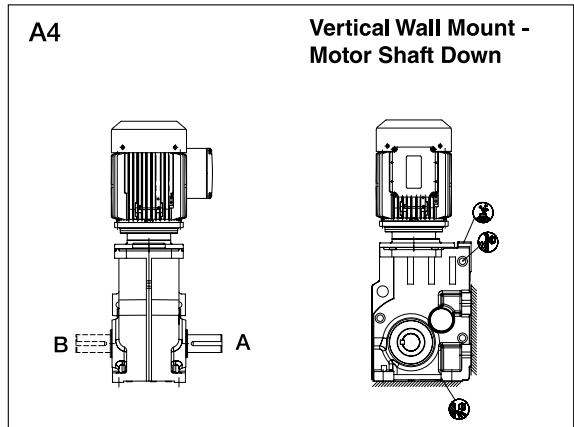
A3

Unit Size	Reduction Stage	Pints	Liters
38	3	2.3	1.1
48	3	3.6	1.7
68	3	6.2	2.9
88	3	12.8	6.1
108	3	20.9	9.9
128	3	41.4	19.6
148	3	63.7	30.2
168	3	97.8	46.3



A4

Unit Size	Reduction Stage	Pints	Liters
38	3	3.1	1.5
48	3	4.9	2.3
68	3	8.2	3.9
88	3	16.3	7.7
108	3	29.3	13.9
128	3	53.7	25.4
148	3	86.7	41.0
168	3	132.3	62.6



RHB 38 units are sealed for life and are furnished with only one plug for filling and draining.

MOUNTING POSITIONS



RIGHT ANGLE HELICAL BEVEL C-FACE REDUCERS & INTEGRAL GEARMOTORS

These mounting arrangements are for all output configurations and output shaft types **IMPORTANT! When ordering, please specify mounting position for correct oil quantity.** In cases of mounting position other than shown here with regard to the oil quantity, please reference the Incline Mounting page, QUANTIS-23, and contact Application Engineering.

NOTE: The oil volumes shown are approximate values and cannot be used to correctly set the reducer oil level - **ALWAYS** fill the reducer to the correct oil level plug and recheck in 1 week.



Oil level



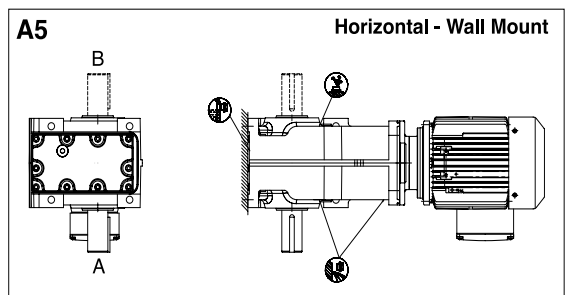
Ventilation



Oil drain

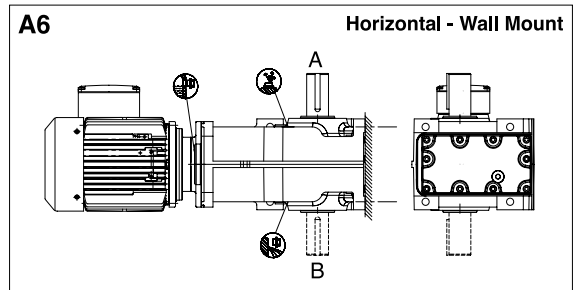
A5

Unit Size	Reduction Stage	Pints	Liters
38	3	2.1	1.0
48	3	3.3	1.6
68	3	5.9	2.8
88	3	10.7	5.1
108	3	19.7	9.3
128	3	36.9	17.6
148	3	54.9	26.0
168	3	86.9	41.1



A6

Unit Size	Reduction Stage	Pints	Liters
38	3	1.9	0.9
48	3	3.8	1.8
68	3	5.7	2.7
88	3	9.8	4.6
108	3	18.9	8.9
128	3	35.1	16.6
148	3	59.4	28.1
168	3	83.4	39.4



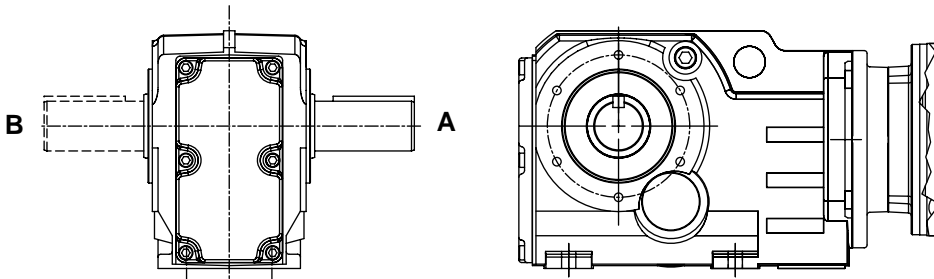
RHB 38 units are sealed for life and furnished with only one plug for filling and draining.

NOMENCLATURE PAGE RHB-5	OVERHUNG LOADS PAGE RHB-16	SELECTION GEARMOTOR PAGE RHB-63	WEIGHTS PAGE RHB-372
----------------------------	-------------------------------	------------------------------------	-------------------------

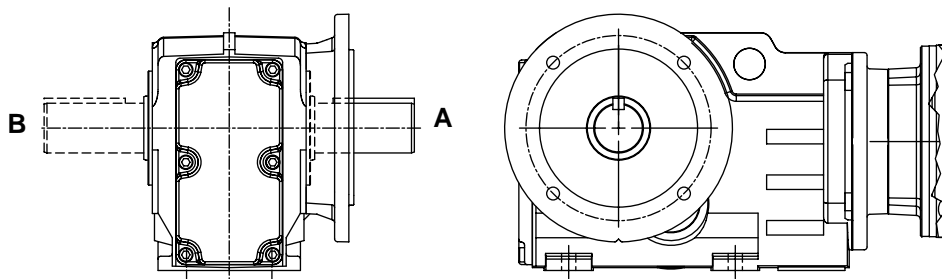
RHB FLANGE POSITIONS

RHB flanged housings are specified by part numbers beginning with BF. All flanged housings have a B14 flange with drilled and tapped holes machined into the housing on **both sides**. The B5 flange is an optional flange that can be bolted onto the B14 flange on either side of the housing. The B5 flange can not be used in combination with the tapered hollow bore output shaft due to the flange interfering with the twin tapered bushings. Flanged housings also have four drilled and tapped holes on the bottom of the reducer which are required for the optional tie rod kit or torque arm bracket.

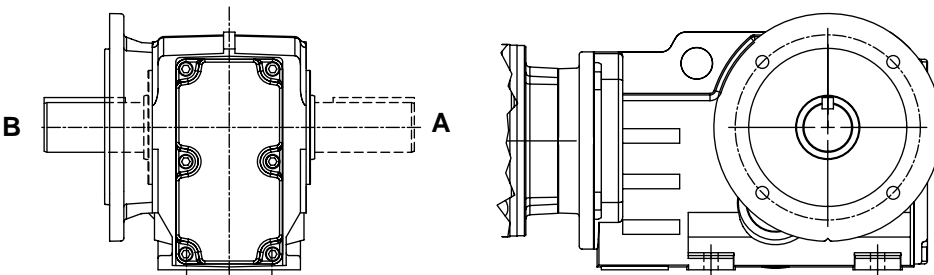
B14 OUTPUT FLANGE - BOTH A AND B SIDE



OPTIONAL B5 OUTPUT FLANGE - A SIDE



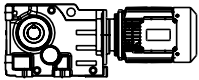

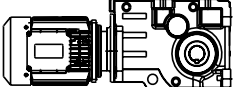
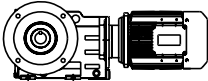
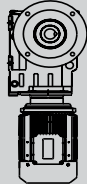
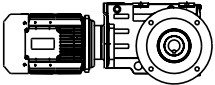
OPTIONAL B5 OUTPUT FLANGE - B SIDE

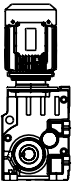
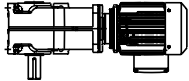
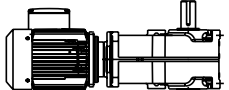
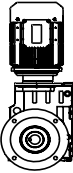
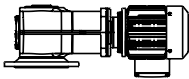
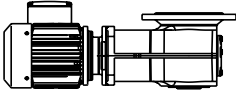


MOUNTING POSITIONS



TABLE OF OLD VS. NEW MOUNTING POSITIONS

	A1	A2	A3
RHB (BB)	B3 B6-01 	B6 B8-01 	B8 
RHB (BF)	B5-01 H-01 	B5 H-04 	B5-03 H-02 

	A4	A5	A6
RHB (BB)	B3-01 B6-02 	V5 V5-01 	V6 V6-01 
RHB (BF)	B5-02 H-03 	V1 H-05 	V1-01 H-06 

Shaded A2 mounting is not a recommended mounting position due to the weight of oil on the high speed input seal.

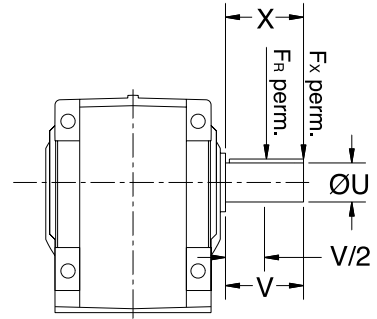
NOMENCLATURE PAGE RHB-5	OVERHUNG LOADS PAGE RHB-16	SELECTION GEARMOTOR PAGE RHB-63	WEIGHTS PAGE RHB-372
----------------------------	-------------------------------	------------------------------------	-------------------------

OVERHUNG LOADS



SOLID OUTPUT SHAFT RHB GEARMOTORS AND REDUCERS

Permissible Overhung Loads at Service Factor SF = 10



1. Calculation based on bearing life

$$F_{x \text{ perm. } 1} = F_{R \text{ perm.}} \frac{y}{z + x} \quad [\text{lb}_f]$$

2. Calculation based on mechanical strength

$$F_{x \text{ perm. } 2} = \frac{a}{x} \quad [\text{lb}_f]$$

The data in the table below lists the permissible output shaft overhung load (OHL) when the load is located at mid shaft. To calculate the permissible OHL when the load is located at other positions, use the formulas above along with the data below.

Both equations 1 and 2 must be used to determine if the bearing or shaft strength limits the OHL. Limit the OHL to the lower of the 2 calculations.

Type (Stages)	y in/mm	z in/mm	a Lb-in / kNm	u in/mm	v in/mm	FR perm. in (lbf) for x=u for output speeds n2 in min-1							
						<= 16	<= 25	<= 40	<= 63	<= 100	<= 160	<= 250	<= 400
B_38	4.80	3.82	1390	1.000	1.97								
	122	97	157	25	50	1730	1429	1150	926	726	617	620	589
	5.20	3.82	1735	1.375	2.76								
	132	97	196	35	70	1599	1321	1063	856	671	570	573	544
B_48	5.94	4.76	2222	1.250	2.36								
	151	121	251	30	60	2419	1983	1591	1266	1149	1110	1032	935
	6.34	4.76	2726	1.625	3.15								
	161	121	308	40	80	2269	1860	1492	1187	1078	1041	968	877
B_68	7.48	5.91	3939	1.625	3.15								
	190	150	445	40	80	6506	5569	4717	4098	3769	3399	3048	2698
	7.87	5.91	6028	2.000	3.94								
	200	150	681	50	100	6150	5264	4459	3873	3562	3213	2881	2550
B_88	8.86	6.89	8886	2.000	3.94								
	225	175	1004	50	100	10936	9358	7913	6722	6200	5633	5073	4505
	9.65	6.89	15321	2.750	5.51								
	245	175	1731	70	140	9966	8528	7211	6126	5650	5133	4623	4105
B_108	10.31	7.95	13197	2.375	4.72								
	262	202	1491	60	120	13336	11326	9501	8196	7688	7046	6377	5683
	11.1	7.95	24464	3.188	6.69								
	282	202	2764	80	170	12304	10450	8766	7562	7093	6501	5884	5243
B_128	12.99	10.24	19039	2.875	5.51								
	330	260	2151	70	140	22350	19106	16159	13651	12342	11339	10282	9185
	13.78	10.24	30288	3.625	6.69								
	350	260	3422	90	170	20968	17925	15160	12807	11579	10638	9646	8617
B_148	15.67	12.13	46158	3.625	6.69								
	398	308	5215	90	170	21381	18035	14996	12561	11951	11162	10246	9207
	16.06	12.13	40148	4.000	8.27								
	408	308	4536	100	210	20816	17559	14600	12229	11635	10867	9975	8964
B_168	18.56	14.23	82058	4.375	8.27								
	472	362	9271	110	210	32783	27792	23263	19423	17607	16566	15278	13774
	18.98	14.23	63763	4.750	8.27								
	482	362	7204	120	210	32045	27166	22739	18986	17210	16193	14934	13464

*Direction of rotation with view on output shaft. To convert lbf to Newtons (N), multiply by 4.448.

Bold - standard shaft cw - clockwise ccw - counter clockwise

Heavy duty bearings are standard on size 68 and above. Heavy duty bearings are not available for size 38 and 48.

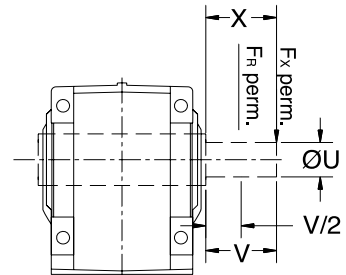
NOMENCLATURE PAGE RHB-5	MOUNTING POSITIONS PAGE RHB-11	SELECTION GEARMOTOR PAGE RHB-63	WEIGHTS PAGE RHB-372
----------------------------	-----------------------------------	------------------------------------	-------------------------

OVERHUNG LOADS



HOLLOW OUTPUT SHAFT RHB GEARMOTORS AND REDUCERS

Permissible Overhung Loads at Service Factor SF = 10



1. Calculation based on bearing life

$$F_{x \text{ perm. } 1} = F_{R \text{ perm.}} \frac{y}{Z + X} \quad [\text{lb}_f]$$

The data in the table below lists the permissible output shaft overhung load (OHL) when the load is located at mid shaft. To calculate the permissible OHL when the load is located at other positions, use the formula above along with the data below.

Type (Stages)	y in/mm	z in/mm	u in/mm	v in/mm	FR perm. in (lbf) for x=u for output speeds n2 in min-1							
					<= 16	<= 25	<= 40	<= 63	<= 100	<= 160	<= 250	<= 400
B_38	5.20	3.82	1.250	2.76	1730	1429	1150	926	726	617	620	589
	132	97	30	70								
B_48	5.94	4.76	1.375	2.76	2419	1983	1591	1266	1149	1110	1032	935
	151	121	35	70								
B_68	7.48	5.91	1.500	3.15	2355	1872	1447	1209	1255	1214	1129	1021
	190	150	40	80								
	7.87	5.91	1.4375	3.94	2237	1778	1375	1149	1192	1153	1073	970
	200	150	45	100								
B_68 ◆ HD	7.48	5.91	1.500	3.15	6506	5569	4717	4098	3769	3399	3048	2698
	190	150	40	80								
	7.87	5.91	1.4375	3.94	6150	5261	4459	3873	3562	3213	2881	2550
	200	150	45	100								
B_88	8.56	6.89	2.000	3.94	3612	2862	2177	1641	1774	1783	1696	1556
	225	175	50	100								
	9.65	6.89	1.9375	5.51	3317	2628	1999	1507	1629	1637	1558	1429
	245	175	60	140								
B_88 ◆ HD	8.56	6.89	2.000	3.94	10936	9358	7913	6722	6200	5633	5073	4505
	225	175	50	100								
	9.65	6.89	1.9375	5.51	9966	8528	7211	6126	5650	5133	4623	4105
	245	175	60	140								
B_108	10.71	7.95	2.375	5.51	13336	11326	9501	8196	7688	7046	6377	5683
	272	202	60	140								
	11.30	7.95	2.4375	6.69	12304	10450	8766	7562	7093	6501	5884	5243
	287	202	70	170								
B_128	13.58	10.24	2.750	6.69	22350	19106	16159	13651	12342	11339	10282	9185
	345	260	70	170								
	13.58	10.24	2.9375	6.69	20968	17925	15160	12807	11579	10638	9646	8617
	345	260	80	170								
B_148	15.47	12.13	3.625	6.69	21381	18035	14996	12561	11951	11162	10246	9207
	393	308	80	170								
	16.26	12.13	3.4375	8.27	20816	17559	14600	12229	11635	10867	9975	8964
	413	308	90	210								
B_168	18.37	14.23	4.000	8.27	32783	27792	23263	19423	17607	16566	15278	13774
	467	362	100	210								
	18.37	14.23	3.9375	8.27	32045	27166	22739	18986	17210	16193	14934	13464
	467	362	110	210								

*Direction of rotation with view on output shaft. To convert lbf to Newtons (N), multiply by 4.448.

Bold - standard shaft cw - clockwise ccw - counter clockwise

◆ = Heavy Duty bearing option. For sizes 68 and 88 with hollow bore only. Sizes 38 and 48 have no heavy duty option. Sizes 108, 128, 148 and 168 have heavy duty bearings as standard.

NOMENCLATURE PAGE RHB-5	MOUNTING POSITIONS PAGE RHB-11	SELECTION GEARMOTOR PAGE RHB-63	WEIGHTS PAGE RHB-372
----------------------------	-----------------------------------	------------------------------------	-------------------------

RIGHT ANGLE HELICAL BEVEL REDUCER (RHB)

SIZE: B_383

Service Factor 1.0 / Clamp Collar / 3 Pc Coupled / Separate

60 HZ

Triple Reduction

NEMA MOTOR FRAME IEC MOTOR FRAME SEPARATE GROUP		56C 71D 71			--- 80D 80			140TC 90D			180TC 100D		
RATIO	OUTPUT RATING DATA	3450	1750	1160	3450	1750	1160	3450	1750	1160	3450	1750	1160
5.65	Output RPM	610	310	205	610	310	205	610	310	205	610	310	205
	Input HP (Max) (C)	3.98	2.02	1.34	4.85	2.46	1.63	6.99	5	3.27	6.99	5.6	3.27
	Output Torque, In-Lb	411	411	411	500	500	500	722	1019	1004	722	1140	1004
	OHL Input Shaft (A)	209	218	(A)	346	360	(A)	456	475	(A)	711	742	742
	OHL Output Shaft (B)	(A)	589	620	(A)	589	620	(A)	589	620	(A)	589	620
6.22	Output RPM	555	281	187	555	281	187	555	281	187	555	281	187
	Input HP (Max) (C)	3.98	2.02	1.34	4.85	2.46	1.63	6.57	5	3.07	6.57	5.26	3.07
	Output Torque, In-Lb	452	452	452	550	550	550	746	1120	1038	746	1177	1038
	OHL Input Shaft (A)	211	217	(A)	346	360	(A)	456	475	(A)	711	742	742
	OHL Output Shaft (B)	(A)	589	620	(A)	589	620	(A)	589	620	(A)	589	620
7.22	Output RPM	478	242	161	478	242	161	478	242	161	478	242	161
	Input HP (Max) (C)	3.98	2.02	1.34	4.85	2.46	1.63	5.95	4.76	2.78	5.95	4.76	2.78
	Output Torque, In-Lb	525	525	525	639	639	639	786	1237	1092	786	1237	1092
	OHL Input Shaft (A)	210	219	(A)	346	360	(A)	456	475	(A)	712	743	743
	OHL Output Shaft (B)	(A)	620	620	(A)	620	620	(A)	620	620	(A)	620	620
7.82	Output RPM	441	224	148	441	224	148	441	224	148	441	224	148
	Input HP (Max) (C)	3.98	2.02	1.34	4.85	2.46	1.63	5.65	4.51	2.64	5.65	4.51	2.64
	Output Torque, In-Lb	569	569	569	692	692	692	807	1270	1122	807	1270	1122
	OHL Input Shaft (A)	210	219	(A)	346	360	(A)	456	471	(A)	713	743	743
	OHL Output Shaft (B)	(A)	620	617	(A)	620	617	(A)	620	617	(A)	620	617
8.85	Output RPM	390	198	131	390	198	131	390	198	131	390	198	131
	Input HP (Max) (C)	3.98	2.02	1.34	4.85	2.46	1.63	5.21	4.15	2.43	5.21	4.15	2.43
	Output Torque, In-Lb	643	643	643	783	783	783	841	1322	1169	841	1322	1169
	OHL Input Shaft (A)	209	218	(A)	346	360	(A)	456	471	(A)	713	743	743
	OHL Output Shaft (B)	589	620	617	589	620	617	589	620	617	589	620	617
9.72	Output RPM	355	180	119	355	180	119	355	180	119	355	180	119
	Input HP (Max) (C)	3.98	2.02	1.34	4.85	2.46	1.63	4.89	3.9	2.29	4.89	3.9	2.29
	Output Torque, In-Lb	707	707	707	860	860	860	868	1364	1207	868	1364	1207
	OHL Input Shaft (A)	210	217	(A)	346	360	(A)	456	472	(A)	713	743	743
	OHL Output Shaft (B)	589	620	617	589	620	617	589	620	617	589	620	617
10.72	Output RPM	322	163	108	322	163	108	322	163	108	322	163	108
	Input HP (Max) (C)	3.98	2.02	1.34	4.58	2.46	1.63	4.58	3.64	2.14	4.58	3.64	2.14
	Output Torque, In-Lb	731	779	779	896	949	949	896	1404	1246	896	1404	1246
	OHL Input Shaft (A)	209	217	(A)	345	359	(A)	457	471	(A)	713	743	743
	OHL Output Shaft (B)	589	620	617	589	620	617	589	620	617	589	620	617
11.50	Output RPM	300	152	101	300	152	101	300	152	101	300	152	101
	Input HP (Max) (C)	3.98	2.02	1.34	4.85	2.46	1.63	6.99	5	3.27	6.99	5.34	3.27
	Output Torque, In-Lb	836	836	836	1018	1018	1018	1468	2072	2042	1468	2213	2042
	OHL Input Shaft (A)	209	218	(A)	346	360	(A)	456	475	(A)	712	742	742
	OHL Output Shaft (B)	589	617	617	589	617	617	589	617	617	589	617	617
12.65	Output RPM	273	138	92	273	138	92	273	138	92	273	138	92
	Input HP (Max) (C)	3.98	2.02	1.34	4.85	2.46	1.63	6.57	4.86	3.07	6.57	4.86	3.07
	Output Torque, In-Lb	920	920	920	1120	1120	1120	1518	2213	2111	1518	2213	2111
	OHL Input Shaft (A)	211	217	(A)	346	360	(A)	456	475	(A)	713	742	742
	OHL Output Shaft (B)	589	617	726	589	617	726	589	617	726	589	617	726

(A) (B) (C) - See Footnote page on inside back cover
Blank areas (-) indicate configuration not available

NOMENCLATURE PAGE RHB-5	STOCK/NON-STOCK PART NUMBERS PAGE RHB-50	DIMENSIONS PAGE RHB-90	THERMAL RATINGS PAGE RHB-364
----------------------------	---	---------------------------	---------------------------------

RIGHT ANGLE HELICAL BEVEL REDUCER (RHB)

SIZE: B_383

Service Factor 1.0 / Clamp Collar / 3 Pc Coupled / Separate

60 HZ

Triple Reduction

NEMA MOTOR FRAME IEC MOTOR FRAME SEPARATE GROUP		56C 71D 71			--- 80D 80			140TC 90D			180TC 100D		
RATIO	OUTPUT RATING DATA	3450	1750	1160	3450	1750	1160	3450	1750	1160	3450	1750	1160
14.69	Output RPM	235	119	79	235	119	79	235	119	79	235	119	79
	Input HP (Max) (C)	3.98	2.02	1.34	4.85	2.46	1.63	5.95	4.18	2.77	5.95	4.18	2.77
	Output Torque, In-Lb	1068	1068	1068	1301	1301	1301	1598	2213	2213	1598	2213	2213
	OHL Input Shaft (A)	(A)	210	219	(A)	346	360	(A)	457	470	(A)	714	743
	OHL Output Shaft (B)	620	617	726	620	617	726	620	617	726	620	617	726
15.91	Output RPM	217	110	73	217	110	73	217	110	73	217	110	73
	Input HP (Max) (C)	3.98	2.02	1.34	4.85	2.46	1.63	5.65	3.86	2.56	5.65	3.86	2.56
	Output Torque, In-Lb	1157	1157	1157	1408	1408	1408	1642	2213	2213	1642	2213	2213
	OHL Input Shaft (A)	(A)	210	219	(A)	346	360	(A)	453	472	(A)	714	743
	OHL Output Shaft (B)	620	617	726	620	617	726	620	617	726	620	617	726
17.99	Output RPM	192	97	65	192	97	65	192	97	65	192	97	65
	Input HP (Max) (C)	3.98	2.02	1.34	4.85	2.46	1.63	5.21	3.41	2.26	5.21	3.41	2.26
	Output Torque, In-Lb	1308	1308	1308	1593	1593	1593	1711	2213	2213	1711	2213	2213
	OHL Input Shaft (A)	(A)	209	218	(A)	346	360	(A)	453	472	(A)	714	743
	OHL Output Shaft (B)	620	726	726	620	726	726	620	726	726	620	726	726
19.78	Output RPM	175	89	59	175	89	59	175	89	59	175	89	59
	Input HP (Max) (C)	3.98	2.02	1.34	4.85	2.46	1.63	4.89	3.11	2.06	4.89	3.11	2.06
	Output Torque, In-Lb	1438	1438	1438	1750	1750	1750	1766	2213	2213	1766	2213	2213
	OHL Input Shaft (A)	(A)	210	217	(A)	346	360	(A)	454	473	(A)	715	744
	OHL Output Shaft (B)	620	726	926	620	726	926	620	726	926	620	726	926
21.81	Output RPM	158	80	53	158	80	53	158	80	53	158	80	53
	Input HP (Max) (C)	3.98	2.02	1.34	4.58	2.46	1.63	4.58	2.82	1.87	4.58	2.82	1.87
	Output Torque, In-Lb	1488	1586	1586	1824	1931	1931	1824	2213	2213	1824	2213	2213
	OHL Input Shaft (A)	(A)	210	217	(A)	345	359	(A)	455	474	(A)	715	744
	OHL Output Shaft (B)	617	726	926	617	726	926	617	726	926	617	726	926
24.16	Output RPM	143	72	48	143	72	48	143	72	48	143	72	48
	Input HP (Max) (C)	3.98	1.89	1.34	4.27	2.46	1.63	4.27	2.54	1.69	4.27	2.54	1.69
	Output Torque, In-Lb	1538	1648	1757	1886	2138	2138	1886	2213	2213	1886	2213	2213
	OHL Input Shaft (A)	(A)	209	217	(A)	345	359	(A)	456	474	(A)	715	744
	OHL Output Shaft (B)	617	726	926	617	726	926	617	726	926	617	726	926
26.90	Output RPM	128	65	43	128	65	43	128	65	43	128	65	43
	Input HP (Max) (C)	3.87	1.76	1.34	3.97	2.28	1.51	3.97	2.28	1.51	3.97	2.28	1.51
	Output Torque, In-Lb	1900	1701	1956	1952	2213	2213	1952	2213	2213	1952	2213	2213
	OHL Input Shaft (A)	(A)	209	217	(A)	345	359	(A)	456	475	(A)	715	744
	OHL Output Shaft (B)	617	726	926	617	726	926	617	726	926	617	726	926
28.70	Output RPM	120	61	40	120	61	40	120	61	40	120	61	40
	Input HP (Max) (C)	3.98	2.02	1.34	4.07	2.14	1.42	4.07	2.14	1.42	4.07	2.14	1.42
	Output Torque, In-Lb	2088	2088	2088	2133	2213	2213	2133	2213	2213	2133	2213	2213
	OHL Input Shaft (A)	(A)	209	218	(A)	346	360	(A)	457	476	(A)	713	741
	OHL Output Shaft (B)	617	926	926	617	926	926	617	926	926	617	926	926
31.59	Output RPM	109	55	37	109	55	37	109	55	37	109	55	37
	Input HP (Max) (C)	3.80	1.94	1.29	3.80	1.94	1.29	3.80	1.91	1.29	3.80	1.94	1.29
	Output Torque, In-Lb	2195	2213	2213	2195	2213	2213	2195	2213	2213	2195	2213	2213
	OHL Input Shaft (A)	(A)	209	218	(A)	346	360	(A)	453	472	(A)	713	742
	OHL Output Shaft (B)	617	926	1150	617	926	1150	617	926	1150	617	926	1150

(A) (B) (C) - See Footnote page on inside back cover
Blank areas (-) indicate configuration not available

NOMENCLATURE PAGE RHB-5	STOCK/NON-STOCK PART NUMBERS PAGE RHB-50	DIMENSIONS PAGE RHB-90	THERMAL RATINGS PAGE RHB-364
----------------------------	---	---------------------------	---------------------------------

RIGHT ANGLE HELICAL BEVEL REDUCER (RHB)

SIZE: B_383

Service Factor 1.0 / Clamp Collar / 3 Pc Coupled / Separate Triple Reduction

60 HZ

NEMA MOTOR FRAME IEC MOTOR FRAME SEPARATE GROUP		56C 71D 71			--- 80D 80			140TC 90D			180TC 100D		
RATIO	OUTPUT RATING DATA	3450	1750	1160	3450	1750	1160	3450	1750	1160	3450	1750	1160
36.69	Output RPM	94	48	32	94	48	32	94	48	32	94	48	32
	Input HP (Max) (C)	3.30	1.68	1.11	3.30	1.67	1.11	3.30	1.67	1.11	3.30	1.67	1.11
	Output Torque, In-Lb	2213	2213	2213	2213	2213	2213	2213	2213	2213	2213	2213	2213
	OHL Input Shaft (A)	209	218	(A)	344	357	(A)	454	472	(A)	714	743	743
	OHL Output Shaft (B)	726	926	1150	726	926	1150	726	926	1150	726	926	1150
39.73	Output RPM	87	44	29	87	44	29	87	44	29	87	44	29
	Input HP (Max) (C)	3.05	1.55	1.03	3.05	1.55	1.03	3.05	1.55	1.03	3.05	1.55	1.03
	Output Torque, In-Lb	2213	2213	2213	2213	2213	2213	2213	2213	2213	2213	2213	2213
	OHL Input Shaft (A)	210	218	(A)	343	357	(A)	455	473	(A)	714	743	743
	OHL Output Shaft (B)	726	926	1150	726	926	1150	726	926	1150	726	926	1150
44.94	Output RPM	77	39	26	77	39	26	77	39	26	77	39	26
	Input HP (Max) (C)	2.70	1.37	0.91	2.70	1.37	0.91	2.70	1.37	0.91	2.70	1.37	0.91
	Output Torque, In-Lb	2213	2213	2213	2213	2213	2213	2213	2213	2213	2213	2213	2213
	OHL Input Shaft (A)	210	219	(A)	344	358	(A)	456	474	(A)	714	743	743
	OHL Output Shaft (B)	726	1150	1150	726	1150	1150	726	1150	1150	726	1150	1150
49.38	Output RPM	70	35	24	70	35	24	70	35	24	70	35	24
	Input HP (Max) (C)	2.45	1.24	0.83	2.45	1.24	0.82	2.45	1.24	0.82	2.45	1.24	0.82
	Output Torque, In-Lb	2213	2213	2213	2213	2213	2213	2213	2213	2213	2213	2213	2213
	OHL Input Shaft (A)	211	219	(A)	345	359	(A)	456	474	(A)	714	743	743
	OHL Output Shaft (B)	726	1150	1411	726	1150	1411	726	1150	1411	726	1150	1411
54.47	Output RPM	63	32	21	63	32	21	63	32	21	63	32	21
	Input HP (Max) (C)	2.22	1.13	0.75	2.22	1.13	0.75	2.22	1.13	0.75	2.22	1.13	0.75
	Output Torque, In-Lb	2213	2213	2213	2213	2213	2213	2213	2213	2213	2213	2213	2213
	OHL Input Shaft (A)	211	219	(A)	345	359	(A)	456	475	(A)	715	744	744
	OHL Output Shaft (B)	926	1150	1411	926	1150	1411	926	1150	1411	926	1150	1411
60.33	Output RPM	57	29	19	57	29	19	57	29	19	57	29	19
	Input HP (Max) (C)	2.01	1.02	0.68	2.01	1.02	0.68	2.01	1.02	0.68	2.01	1.02	0.68
	Output Torque, In-Lb	2213	2213	2213	2213	2213	2213	2213	2213	2213	2213	2213	2213
	OHL Input Shaft (A)	211	219	(A)	346	359	(A)	457	475	(A)	715	744	744
	OHL Output Shaft (B)	926	1150	1411	926	1150	1411	926	1150	1411	926	1150	1411
67.18	Output RPM	51	26	17	51	26	17	51	26	17	51	26	17
	Input HP (Max) (C)	1.80	0.91	0.61	1.80	0.91	0.61	1.80	0.91	0.61	1.80	0.91	0.61
	Output Torque, In-Lb	2213	2213	2213	2213	2213	2213	2213	2213	2213	2213	2213	2213
	OHL Input Shaft (A)	211	220	(A)	346	360	(A)	457	475	(A)	715	744	744
	OHL Output Shaft (B)	926	1150	1411	926	1150	1411	926	1150	1411	926	1150	1411
77.09	Output RPM	45	23	15	45	23	15	45	23	15	45	23	15
	Input HP (Max) (C)	1.57	0.8	0.53	1.57	0.8	0.53	1.57	0.8	0.53	1.57	0.8	0.53
	Output Torque, In-Lb	2213	2213	2213	2213	2213	2213	2213	2213	2213	2213	2213	2213
	OHL Input Shaft (A)	211	220	(A)	346	360	(A)	457	475	(A)	715	744	744
	OHL Output Shaft (B)	926	1411	1411	926	1411	1411	926	1411	1411	926	1411	1411
85.33	Output RPM	40	21	13	40	21	13	40	21	13	-	-	-
	Input HP (Max) (C)	1.42	0.72	0.48	1.42	0.72	0.48	1.42	0.72	0.48	-	-	-
	Output Torque, In-Lb	2213	2213	2213	2213	2213	2213	2213	2213	2213	-	-	-
	OHL Input Shaft (A)	211	220	(A)	346	360	(A)	457	476	(A)	-	-	-
	OHL Output Shaft (B)	1150	1411	1411	1150	1411	1411	1150	1411	1411	-	-	-

(A) (B) (C) - See Footnote page on inside back cover
Blank areas (-) indicate configuration not available

NOMENCLATURE PAGE RHB-5	STOCK/NON-STOCK PART NUMBERS PAGE RHB-50	DIMENSIONS PAGE RHB-90	THERMAL RATINGS PAGE RHB-364
----------------------------	---	---------------------------	---------------------------------

SELECTION



RIGHT ANGLE HELICAL BEVEL REDUCER (RHB)

SIZE: B_383

Service Factor 1.0 / Clamp Collar / 3 Pc Coupled / Separate

60 HZ

Triple Reduction

NEMA MOTOR FRAME IEC MOTOR FRAME SEPARATE GROUP		56C 71D 71			--- 80D 80			140TC 90D			180TC 100D		
RATIO	OUTPUT RATING DATA	3450	1750	1160	3450	1750	1160	3450	1750	1160	3450	1750	1160
97.05	Output RPM	36	18	12	36	18	12	36	18	12	-	-	-
	Input HP (Max) (C)	1.25	0.63	0.42	1.25	0.63	0.42	1.25	0.63	0.42	-	-	-
	Output Torque, In-Lb	2213	2213	2213	2213	2213	2213	2213	2213	2213	-	-	-
	OHL Input Shaft (A)	(A)	210	218	(A)	346	360	(A)	457	475	-	-	-
	OHL Output Shaft (B)	1150	1411	1411	1150	1411	1411	1150	1411	1411	-	-	-
110.75	Output RPM	31	16	11	31	16	11	31	16	11	-	-	-
	Input HP (Max) (C)	1.09	0.55	0.37	1.09	0.55	0.37	1.09	0.55	0.37	-	-	-
	Output Torque, In-Lb	2213	2213	2213	2213	2213	2213	2213	2213	2213	-	-	-
	OHL Input Shaft (A)	(A)	210	218	(A)	346	360	(A)	457	476	-	-	-
	OHL Output Shaft (B)	1150	1411	1411	1150	1411	1411	1150	1411	1411	-	-	-
124.78	Output RPM	28	14	9	28	14	9	-	-	-	-	-	-
	Input HP (Max) (C)	0.97	0.49	0.33	0.97	0.49	0.33	-	-	-	-	-	-
	Output Torque, In-Lb	2213	2213	2213	2213	2213	2213	-	-	-	-	-	-
	OHL Input Shaft (A)	(A)	210	219	(A)	346	360	-	-	-	-	-	-
	OHL Output Shaft (B)	1150	1411	1411	1150	1411	1411	-	-	-	-	-	-
139.44	Output RPM	25	13	8	25	13	8	-	-	-	-	-	-
	Input HP (Max) (C)	0.87	0.44	0.29	0.87	0.44	0.29	-	-	-	-	-	-
	Output Torque, In-Lb	2213	2213	2213	2213	2213	2213	-	-	-	-	-	-
	OHL Input Shaft (A)	(A)	211	219	(A)	346	360	-	-	-	-	-	-
	OHL Output Shaft (B)	1411	1411	1411	1411	1411	1411	-	-	-	-	-	-
159.04	Output RPM	22	11	7	22	11	7	-	-	-	-	-	-
	Input HP (Max) (C)	0.76	0.39	0.26	0.76	0.39	0.26	-	-	-	-	-	-
	Output Torque, In-Lb	2213	2213	2213	2213	2213	2213	-	-	-	-	-	-
	OHL Input Shaft (A)	(A)	211	219	(A)	346	360	-	-	-	-	-	-
	OHL Output Shaft (B)	1411	1411	1411	1411	1411	1411	-	-	-	-	-	-
179.13	Output RPM	19	10	7	-	-	-	-	-	-	-	-	-
	Input HP (Max) (C)	0.68	0.34	0.23	-	-	-	-	-	-	-	-	-
	Output Torque, In-Lb	2213	2213	2213	-	-	-	-	-	-	-	-	-
	OHL Input Shaft (A)	(A)	211	219	-	-	-	-	-	-	-	-	-
	OHL Output Shaft (B)	1411	1411	1411	-	-	-	-	-	-	-	-	-

(A) (B) (C) - See Footnote page on inside back cover

Blank areas (-) indicate configuration not available

NOMENCLATURE PAGE RHB-5	STOCK/NON-STOCK PART NUMBERS PAGE RHB-50	DIMENSIONS PAGE RHB-90	THERMAL RATINGS PAGE RHB-364
----------------------------	---	---------------------------	---------------------------------

RIGHT ANGLE HELICAL BEVEL REDUCER (RHB)

SIZE: B_483

Service Factor 1.0 / Clamp Collar / 3 Pc Coupled / Separate Triple Reduction

60 HZ

NEMA MOTOR FRAME IEC MOTOR FRAME SEPARATE GROUP		56C 71D 71			--- 80D 80			140TC 90D 90			180TC 100D 100		
RATIO	OUTPUT RATING DATA	3450	1750	1160	3450	1750	1160	3450	1750	1160	3450	1750	1160
7.22	Output RPM	478	242	161	478	242	161	478	242	161	478	242	161
	Input HP (Max) (C)	3.98	2.02	1.34	4.84	2.46	1.63	9.86	5.01	3.32	12.95	9.90	6.05
	Output Torque, In-Lb	525	525	525	639	640	639	1301	1302	1302	1708	2573	2375
	OHL Input Shaft (A)	(A)	218	227	(A)	346	360	(A)	456	475	(A)	710	738
	OHL Output Shaft (B)	(A)	1032	1032	(A)	1032	1032	(A)	1032	1032	(A)	1032	1032
8.40	Output RPM	411	208	138	411	208	138	411	208	138	411	208	138
	Input HP (Max) (C)	3.98	2.02	1.34	4.84	2.46	1.63	9.86	5.01	3.32	11.71	8.51	5.47
	Output Torque, In-Lb	611	611	611	743	744	743	1513	1514	1514	1797	2573	2498
	OHL Input Shaft (A)	(A)	217	226	(A)	346	360	(A)	456	475	(A)	711	739
	OHL Output Shaft (B)	(A)	1032	1110	(A)	1032	1110	(A)	1032	1110	(A)	1032	1110
9.32	Output RPM	370	188	125	370	188	125	370	188	125	370	188	125
	Input HP (Max) (C)	3.98	2.02	1.34	4.85	2.46	1.63	9.86	5.01	3.32	10.92	7.67	5.08
	Output Torque, In-Lb	678	678	678	825	825	825	1679	1680	1680	1859	2573	2572
	OHL Input Shaft (A)	(A)	219	228	(A)	346	360	(A)	455	475	(A)	712	740
	OHL Output Shaft (B)	(A)	1032	1110	(A)	1032	1110	(A)	1032	1110	(A)	1032	1110
10.15	Output RPM	340	172	114	340	172	114	340	172	114	340	172	114
	Input HP (Max) (C)	3.98	2.02	1.34	4.84	2.46	1.63	9.86	4.99	3.32	10.31	7.04	4.66
	Output Torque, In-Lb	738	738	738	898	899	898	1772	1825	1828	1912	2573	2572
	OHL Input Shaft (A)	(A)	219	228	(A)	346	360	(A)	454	475	(A)	712	741
	OHL Output Shaft (B)	(A)	1032	1110	(A)	1032	1110	(A)	1032	1110	(A)	1032	1110
11.95	Output RPM	289	146	97	289	146	97	340	146	97	340	146	97
	Input HP (Max) (C)	3.98	2.02	1.34	4.85	2.46	1.63	9.86	5.01	3.32	12.95	8.70	6.05
	Output Torque, In-Lb	869	869	869	1058	1059	1058	2154	2155	2154	2827	3747	3930
	OHL Input Shaft (A)	(A)	218	227	(A)	346	360	(A)	456	475	(A)	710	738
	OHL Output Shaft (B)	(A)	1110	1149	(A)	1110	1149	(A)	1110	1149	(A)	1110	1149
13.90	Output RPM	248	126	84	248	126	84	248	126	84	248	126	84
	Input HP (Max) (C)	3.98	2.02	1.34	4.84	2.46	1.63	9.86	5.01	3.32	11.71	7.83	5.27
	Output Torque, In-Lb	1011	1011	1011	1230	1231	1230	2504	2506	2504	2973	3921	3983
	OHL Input Shaft (A)	(A)	218	227	(A)	346	360	(A)	456	475	(A)	711	740
	OHL Output Shaft (B)	(A)	1110	1149	(A)	1110	1149	(A)	1110	1149	(A)	1110	1149
15.42	Output RPM	224	113	75	224	113	75	224	113	75	224	113	75
	Input HP (Max) (C)	3.98	2.02	1.34	4.85	2.46	1.63	9.86	5.01	3.32	10.92	7.17	4.75
	Output Torque, In-Lb	1121	1122	1121	1365	1366	1365	2779	2780	2779	3077	3985	3983
	OHL Input Shaft (A)	(A)	217	226	(A)	346	360	(A)	455	475	(A)	712	741
	OHL Output Shaft (B)	(A)	1110	1149	(A)	1110	1149	(A)	1110	1149	(A)	1110	1149
16.79	Output RPM	205	104	69	205	104	69	205	104	69	205	104	69
	Input HP (Max) (C)	3.98	2.02	1.34	4.84	2.46	1.63	9.56	4.99	3.32	10.31	6.59	4.37
	Output Torque, In-Lb	1221	1222	1221	1486	1487	1486	2933	3019	3026	3164	3985	3983
	OHL Input Shaft (A)	(A)	219	228	(A)	346	360	(A)	454	475	(A)	713	742
	OHL Output Shaft (B)	(A)	1110	1149	(A)	1110	1149	(A)	1110	1149	(A)	1110	1149
18.78	Output RPM	184	93	62	184	93	62	184	93	62	184	93	62
	Input HP (Max) (C)	3.98	2.02	1.34	4.84	2.40	1.63	9.10	4.75	3.28	9.56	5.89	3.90
	Output Torque, In-Lb	1366	1366	1366	1662	1626	1662	3123	3216	3350	3281	3985	3983
	OHL Input Shaft (A)	(A)	219	228	(A)	346	360	(A)	454	475	(A)	714	743
	OHL Output Shaft (B)	(A)	1149	1226	(A)	1149	1226	(A)	1149	1226	(A)	1149	1226

(A) (B) (C) - See Footnote page on inside back cover
Blank areas (-) indicate configuration not available

NOMENCLATURE PAGE RHB-5	STOCK/NON-STOCK PART NUMBERS PAGE RHB-50	DIMENSIONS PAGE RHB-122	THERMAL RATINGS PAGE RHB-364
----------------------------	---	----------------------------	---------------------------------

RIGHT ANGLE HELICAL BEVEL REDUCER (RHB)

SIZE: B_483

Service Factor 1.0 / Clamp Collar / 3 Pc Coupled / Separate

60 HZ

Triple Reduction

NEMA MOTOR FRAME IEC MOTOR FRAME SEPARATE GROUP		56C 71D 71			--- 80D 80			140TC 90D 90			180TC 100D 100		
RATIO	OUTPUT RATING DATA	3450	1750	1160	3450	1750	1160	3450	1750	1160	3450	1750	1160
20.54	Output RPM	168	85	57	168	85	57	168	85	57	168	85	57
	Input HP (Max) (C)	3.98	2.02	1.34	4.85	2.26	1.63	8.73	4.56	3.15	9.00	5.39	3.57
	Output Torque, In-Lb	1489	1494	1494	1818	1675	1818	3276	3373	3514	3378	3985	3983
	OHL Input Shaft (A)	(A)	218	227	(A)	346	360	(A)	454	475	(A)	714	743
	OHL Output Shaft (B)	1032	1149	1226	1032	1149	1226	1032	1149	1226	1032	1149	1226
22.54	Output RPM	153	78	52	153	78	52	153	78	52	153	78	52
	Input HP (Max) (C)	3.98	2.02	1.34	4.85	2.12	1.63	8.35	4.36	3.01	8.45	4.91	3.25
	Output Torque, In-Lb	1533	1640	1639	1995	1724	1995	3437	3540	3688	3480	3985	3983
	OHL Input Shaft (A)	(A)	217	227	(A)	346	360	(A)	454	475	(A)	708	738
	OHL Output Shaft (B)	1110	1149	1226	1110	1149	1226	1110	1149	1226	1110	1149	1226
24.85	Output RPM	139	70	47	139	70	47	139	70	47	139	70	47
	Input HP (Max) (C)	3.98	1.98	1.34	4.85	1.98	1.63	7.91	4.15	2.87	7.91	4.45	2.95
	Output Torque, In-Lb	1577	1774	1807	2200	1774	2200	3589	3717	3873	3589	3985	3983
	OHL Input Shaft (A)	(A)	218	227	(A)	346	359	(A)	454	475	(A)	710	739
	OHL Output Shaft (B)	1110	1149	1226	1110	1149	1226	1110	1149	1226	1110	1149	1226
27.55	Output RPM	125	64	42	125	64	42	125	64	42	125	64	42
	Input HP (Max) (C)	3.87	1.84	1.34	4.84	1.84	1.63	7.37	3.94	2.66	7.37	4.04	2.66
	Output Torque, In-Lb	1945	1824	2003	2438	1824	2438	3708	3909	3983	3708	3985	3983
	OHL Input Shaft (A)	(A)	217	227	(A)	346	359	(A)	453	475	(A)	711	739
	OHL Output Shaft (B)	1110	1149	1226	1110	1149	1226	1110	1149	1226	1110	1149	1226
28.90	Output RPM	119	61	40	119	61	40	119	61	40	119	61	40
	Input HP (Max) (C)	3.98	2.02	1.34	4.85	2.46	1.63	6.70	3.83	2.54	6.70	3.83	2.54
	Output Torque, In-Lb	2101	2102	2101	2558	2559	2558	3535	3985	3983	3535	3985	3983
	OHL Input Shaft (A)	(A)	218	227	(A)	346	358	(A)	455	473	(A)	715	744
	OHL Output Shaft (B)	1110	1226	1226	1110	1226	1226	1110	1226	1226	1110	1226	1226
33.60	Output RPM	103	52	35	103	52	35	103	52	35	103	52	35
	Input HP (Max) (C)	3.98	2.02	1.34	4.84	2.46	1.63	6.02	3.29	2.18	6.02	3.29	2.18
	Output Torque, In-Lb	2443	2444	2443	2974	2976	2974	3698	3985	3983	3698	3985	3983
	OHL Input Shaft (A)	(A)	218	226	(A)	346	360	(A)	456	474	(A)	715	744
	OHL Output Shaft (B)	1110	1226	1591	1110	1226	1591	1110	1226	1591	1110	1226	1591
37.28	Output RPM	93	47	31	93	47	31	93	47	31	93	47	31
	Input HP (Max) (C)	3.98	2.02	1.34	4.85	2.46	1.63	5.60	2.97	1.97	5.60	2.97	1.97
	Output Torque, In-Lb	2711	2712	2711	3300	3302	3300	3815	3985	3983	3815	3985	3983
	OHL Input Shaft (A)	(A)	217	228	(A)	346	360	(A)	456	475	(A)	715	744
	OHL Output Shaft (B)	1149	1226	1591	1149	1226	1591	1149	1226	1591	1149	1226	1591
40.60	Output RPM	85	43	29	85	43	29	85	43	29	85	43	29
	Input HP (Max) (C)	3.98	2.02	1.34	4.85	2.46	1.63	5.28	2.73	1.81	5.28	2.73	1.81
	Output Torque, In-Lb	2952	2954	2952	3594	3596	3594	3914	3985	3983	3914	3985	3983
	OHL Input Shaft (A)	(A)	219	228	(A)	346	360	(A)	457	475	(A)	715	744
	OHL Output Shaft (B)	1149	1226	1591	1149	1226	1591	1149	1226	1591	1149	1226	1591
45.41	Output RPM	76	39	26	76	39	26	76	39	26	76	39	26
	Input HP (Max) (C)	3.98	2.02	1.34	4.80	2.44	1.61	4.80	2.44	1.61	4.80	2.44	1.61
	Output Torque, In-Lb	3301	3303	3301	3983	3985	3983	3983	3985	3983	3983	3985	3983
	OHL Input Shaft (A)	(A)	219	227	(A)	346	360	(A)	457	475	(A)	708	737
	OHL Output Shaft (B)	1149	1591	1591	1149	1591	1591	1149	1591	1591	1149	1591	1591

(A) (B) (C) - See Footnote page on inside back cover
Blank areas (-) indicate configuration not available

NOMENCLATURE PAGE RHB-5	STOCK/NON-STOCK PART NUMBERS PAGE RHB-50	DIMENSIONS PAGE RHB-122	THERMAL RATINGS PAGE RHB-364
----------------------------	---	----------------------------	---------------------------------

RIGHT ANGLE HELICAL BEVEL REDUCER (RHB)

SIZE: B_483

Service Factor 1.0 / Clamp Collar / 3 Pc Coupled / Separate Triple Reduction

60 HZ

NEMA MOTOR FRAME IEC MOTOR FRAME SEPARATE GROUP		56C 71D 71			--- 80D 80			140TC 90D 90			180TC 100D 100		
RATIO	OUTPUT RATING DATA	3450	1750	1160	3450	1750	1160	3450	1750	1160	3450	1750	1160
49.65	Output RPM	70	35	23	70	35	23	70	35	23	70	35	23
	Input HP (Max) (C)	3.98	2.02	1.34	4.39	2.23	1.48	4.39	2.23	1.48	4.39	2.23	1.48
	Output Torque, In-Lb	3599	3612	3609	3983	3985	3983	3983	3985	3983	3983	3985	3983
	OHL Input Shaft (A)	218	227	(A)	346	360	(A)	457	475	(A)	738		
	OHL Output Shaft (B)	1149	1591	1878	1149	1591	1878	1149	1591	1878	1149	1591	1878
54.49	Output RPM	63	32	21	63	32	21	63	32	21	63	32	21
	Input HP (Max) (C)	3.98	2.02	1.34	4.00	2.03	1.35	4.00	2.03	1.35	4.00	2.03	1.35
	Output Torque, In-Lb	3705	3964	3962	3983	3985	3983	3983	3985	3983	3983	3985	3983
	OHL Input Shaft (A)	217	227	(A)	346	360	(A)	457	476	((A)	(A)	740	
	OHL Output Shaft (B)	1226	1591	1878	1226	1591	1878	1226	1591	1878	1226	1591	1878
60.08	Output RPM	57	29	19	57	29	19	57	29	19	57	29	19
	Input HP (Max) (C)	3.63	1.84	1.22	3.63	1.84	1.22	3.63	1.84	1.22	3.63	1.84	1.22
	Output Torque, In-Lb	3812	3985	3983	3983	3985	3983	3983	3985	3983	3983	3985	3983
	OHL Input Shaft (A)	218	226	(A)	346	360	(A)	457	476	(A)	(A)	741	
	OHL Output Shaft (B)	1226	1591	1878	1226	1591	1878	1226	1591	1878	1226	1591	1878
66.60	Output RPM	52	26	17	52	26	17	52	26	17	52	26	17
	Input HP (Max) (C)	3.27	1.66	1.10	3.27	1.66	1.10	3.27	1.66	1.10	3.27	1.66	1.10
	Output Torque, In-Lb	3918	3985	3983	3983	3985	3983	3983	3985	3983	3983	3985	3983
	OHL Input Shaft (A)	217	227	(A)	346	360	(A)	457	476	(A)	(A)	741	
	OHL Output Shaft (B)	1226	1591	1878	1226	1591	1878	1226	1591	1878	1226	1591	1878
75.45	Output RPM	46	23	15	46	23	15	46	23	15	46	23	15
	Input HP (Max) (C)	2.89	1.47	0.97	2.89	1.47	0.97	2.89	1.47	0.97	2.89	1.47	0.97
	Output Torque, In-Lb	3983	3985	3983	3983	3985	3983	3983	3985	3983	3983	3985	3983
	OHL Input Shaft (A)	218	228	(A)	346	360	(A)	453	471	(A)	(A)	742	
	OHL Output Shaft (B)	1226	1878	1878	1226	1878	1878	1226	1878	1878	1226	1878	1878
83.25	Output RPM	41	21	14	41	21	14	41	21	14	41	21	14
	Input HP (Max) (C)	2.62	1.33	0.88	2.62	1.33	0.88	2.62	1.33	0.88	2.62	1.33	0.88
	Output Torque, In-Lb	3983	3985	3983	3983	3985	3983	3983	3985	3983	3983	3985	3983
	OHL Input Shaft (A)	219	228	(A)	346	360	(A)	453	472	(A)	(A)	742	
	OHL Output Shaft (B)	1226	1878	1878	1226	1878	1878	1226	1878	1878	1226	1878	1878
94.12	Output RPM	37	19	12	37	19	12	37	19	12	37	19	12
	Input HP (Max) (C)	2.32	1.18	0.78	2.32	1.18	0.78	2.32	1.18	0.78	2.32	1.18	0.78
	Output Torque, In-Lb	3989	3985	3983	3983	3985	3983	3983	3985	3983	3983	3985	3983
	OHL Input Shaft (A)	219	228	(A)	343	357	(A)	454	473	(A)	(A)	743	
	OHL Output Shaft (B)	1591	1878	1878	1591	1878	1878	1591	1878	1878	1591	1878	1878
107.47	Output RPM	32	16	11	32	16	11	32	16	11	-	-	-
	Input HP (Max) (C)	2.03	1.03	0.68	2.03	1.03	0.68	2.03	1.03	0.68	-	-	-
	Output Torque, In-Lb	3983	3985	3983	3983	3985	3983	3983	3985	3983	-	-	-
	OHL Input Shaft (A)	219	227	(A)	344	358	(A)	455	474	-	-	-	
	OHL Output Shaft (B)	1591	1878	1878	1591	1878	1878	1591	1878	1878	-	-	-
122.19	Output RPM	28	14	10	28	14	10	28	14	10	-	-	-
	Input HP (Max) (C)	1.78	0.91	0.60	1.78	0.91	0.60	1.78	0.91	0.60	-	-	-
	Output Torque, In-Lb	3983	3985	3983	3983	3985	3983	3983	3985	3983	-	-	-
	OHL Input Shaft (A)	219	227	(A)	345	358	(A)	456	474	-	-	-	
	OHL Output Shaft (B)	1591	1878	1878	1591	1878	1878	1591	1878	1878	-	-	-

(A) (B) (C) - See Footnote page on inside back cover
Blank areas (-) indicate configuration not available

NOMENCLATURE PAGE RHB-5	STOCK/NON-STOCK PART NUMBERS PAGE RHB-50	DIMENSIONS PAGE RHB-122	THERMAL RATINGS PAGE RHB-364
----------------------------	---	----------------------------	---------------------------------

SELECTION



RIGHT ANGLE HELICAL BEVEL REDUCER (RHB)

SIZE: B_483

Service Factor 1.0 / Clamp Collar / 3 Pc Coupled / Separate

60 HZ

Triple Reduction

NEMA MOTOR FRAME IEC MOTOR FRAME SEPARATE GROUP		56C 71D 71			--- 80D 80			140TC 90D 90			180TC 100D 100		
RATIO	OUTPUT RATING DATA	3450	1750	1160	3450	1750	1160	3450	1750	1160	3450	1750	1160
130.78	Output RPM	26	13	9	26	13	9	26	13	9	-	-	-
	Input HP (Max) (C)	1.67	0.85	0.56	1.67	0.85	0.56	1.67	0.85	0.56	-	-	-
	Output Torque, In-Lb	3983	3985	3983	3983	3985	3983	3983	3985	3983	-	-	-
	OHL Input Shaft (A)	220	227	(A)	345	359	(A)	456	474	-	-	-	-
	OHL Output Shaft (B)	1591	1878	1878	1591	1878	1878	1591	1878	1878	-	-	-
150.76	Output RPM	23	12	8	23	12	8	-	-	-	-	-	-
	Input HP (Max) (C)	1.45	0.73	0.49	1.45	0.73	0.49	-	-	-	-	-	-
	Output Torque, In-Lb	3983	3985	3983	3983	3985	3983	-	-	-	-	-	-
	OHL Input Shaft (A)	218	228	(A)	345	359	-	-	-	-	-	-	-
	OHL Output Shaft (B)	1878	1878	1878	1878	1878	1878	-	-	-	-	-	-
169.53	Output RPM	20	10	7	-	-	-	-	-	-	-	-	-
	Input HP (Max) (C)	1.29	0.65	0.43	-	-	-	-	-	-	-	-	-
	Output Torque, In-Lb	3983	3985	3983	-	-	-	-	-	-	-	-	-
	OHL Input Shaft (A)	219	228	-	-	-	-	-	-	-	-	-	-
	OHL Output Shaft (B)	1878	1878	1878	-	-	-	-	-	-	-	-	-

(A) (B) (C) - See Footnote page on inside back cover

Blank areas (-) indicate configuration not available

NOMENCLATURE PAGE RHB-5	STOCK/NON-STOCK PART NUMBERS PAGE RHB-50	DIMENSIONS PAGE RHB-122	THERMAL RATINGS PAGE RHB-364
----------------------------	---	----------------------------	---------------------------------

RIGHT ANGLE HELICAL BEVEL REDUCER (RHB)

SIZE: B_683

Service Factor 1.0 / Clamp Collar / 3 Pc Coupled / Separate

60 HZ

Triple Reduction

NEMA MOTOR FRAME IEC MOTOR FRAME SEPARATE GROUP		56C 71D 71			--- 80D 80			140TC 90D 90			180TC 100D 100			--- 112D 112		
RATIO	OUTPUT RATING DATA	3450	1750	1160	3450	1750	1160	3450	1750	1160	3450	1750	1160	3450	1750	1160
5.36	Output RPM	-	-	-	644	326	216	644	326	216	644	326	216	644	326	216
	Input HP (Max) (C)	-	-	-	4.85	2.46	1.63	9.86	5.01	3.32	20.42	10.36	6.87	23.72	13.88	9.19
	Output Torque, In-Lb	-	-	-	475	475	475	966	967	966	2000	2001	2000	2323	2679	2678
	OHL Input Shaft	-	-	-	(A)	346	360	(A)	453	471	(A)	711	740	(A)	840	875
	OHL Output Shaft (B)	-	-	-	(A)	2503	2503	(A)	2503	2503	(A)	2503	2503	(A)	2503	2503
6.44	Output RPM	-	-	-	536	272	180	536	272	180	536	272	180	536	272	180
	Input HP (Max) (C)	-	-	-	4.85	2.46	1.63	9.86	5.01	3.32	20.42	10.36	6.87	20.98	13.88	9.19
	Output Torque, In-Lb	-	-	-	570	570	570	1161	1161	1161	2403	2404	2403	2469	3219	3217
	OHL Input Shaft	-	-	-	(A)	346	360	(A)	454	472	(A)	708	737	(A)	835	871
	OHL Output Shaft (B)	-	-	-	(A)	2503	2503	(A)	2503	2503	(A)	2503	2503	(A)	2503	2503
7.58	Output RPM	-	-	-	455	231	153	455	231	153	455	231	153	455	231	153
	Input HP (Max) (C)	-	-	-	4.85	2.46	1.60	9.86	5.00	3.32	18.80	10.36	6.87	18.80	13.88	8.79
	Output Torque, In-Lb	-	-	-	671	672	671	1366	1367	1366	2604	2830	2829	2604	3790	3621
	OHL Input Shaft	-	-	-	(A)	346	360	(A)	452	471	(A)	709	739	(A)	835	875
	OHL Output Shaft (B)	-	-	-	(A)	2503	2503	(A)	2503	2503	(A)	2503	2503	(A)	2503	2503
8.50	Output RPM	406	206	137	406	206	137	406	206	137	406	206	137	406	206	137
	Input HP (Max) (C)	3.98	2.02	1.34	4.85	2.46	1.63	9.86	5.01	3.32	17.41	10.36	6.87	17.41	13.88	8.14
	Output Torque, In-Lb	618	618	618	752	753	752	1531	1532	1531	2702	3171	3170	2702	4246	3757
	OHL Input Shaft	(A)	215	227	(A)	346	360	(A)	456	474	(A)	706	736	(A)	837	871
	OHL Output Shaft (B)	2503	2503	2503	2503	2503	2503	2503	2503	2503	2503	2503	2503	2503	2503	2503
9.52	Output RPM	362	184	122	362	184	122	362	184	122	362	184	122	362	184	122
	Input HP (Max) (C)	3.98	2.02	1.34	4.85	2.46	1.63	9.86	5.01	3.32	16.11	10.36	6.86	16.11	13.76	7.53
	Output Torque, In-Lb	692	693	692	843	843	843	1716	1717	1716	2803	3554	3552	2803	4721	3897
	OHL Input Shaft	(A)	217	226	(A)	346	360	(A)	456	474	(A)	711	740	(A)	838	872
	OHL Output Shaft (B)	2503	2503	2503	2503	2503	2503	2503	2503	2503	2503	2503	2503	2503	2503	2503
10.40	Output RPM	332	168	112	332	168	112	332	168	112	332	168	112	332	168	112
	Input HP (Max) (C)	3.98	2.02	1.34	4.85	2.46	1.63	9.86	5.01	3.32	15.18	10.36	6.87	15.18	12.94	7.10
	Output Torque, In-Lb	756	756	756	920	921	920	1873	1874	1873	2883	3880	3878	2883	4846	4008
	OHL Input Shaft	(A)	218	226	(A)	346	360	(A)	455	474	(A)	708	738	(A)	839	873
	OHL Output Shaft (B)	2503	2503	2503	2503	2503	2503	2503	2503	2503	2503	2503	2503	2503	2503	2503
11.94	Output RPM	-	-	-	289	147	97	289	147	97	289	147	97	289	147	97
	Input HP (Max) (C)	-	-	-	4.85	2.46	1.63	9.86	5.01	3.32	20.42	10.36	6.87	20.49	13.71	9.19
	Output Torque, In-Lb	-	-	-	1057	1058	1057	2152	2153	2152	4455	4458	4455	4471	5896	5965
	OHL Input Shaft	-	-	-	(A)	346	360	(A)	453	471	(A)	709	740	(A)	840	875
	OHL Output Shaft (B)	-	-	-	2503	2503	2503	2503	2503	2503	2503	2503	2503	2503	2503	2503
14.35	Output RPM	-	-	-	240	122	81	240	122	81	240	122	81	240	122	81
	Input HP (Max) (C)	-	-	-	4.85	2.46	1.63	9.86	5.01	3.32	18.02	10.36	6.86	18.02	12.06	8.43
	Output Torque, In-Lb	-	-	-	1270	1271	1270	2585	2587	2585	4724	5355	5352	4724	6231	6569
	OHL Input Shaft	-	-	-	(A)	346	360	(A)	454	472	(A)	709	737	(A)	842	875
	OHL Output Shaft (B)	-	-	-	2503	2503	2503	2503	2503	2503	2503	2503	2503	2503	2503	2503
16.89	Output RPM	-	-	-	204	104	69	204	104	69	204	104	69	204	104	69
	Input HP (Max) (C)	-	-	-	4.85	2.46	1.63	9.86	5.01	3.32	16.08	10.36	6.87	16.08	10.75	7.52
	Output Torque, In-Lb	-	-	-	1495	1496	1495	3044	3046	3044	4962	6305	6302	4962	6543	6899
	OHL Input Shaft	-	-	-	(A)	346	360	(A)	452	471	(A)	710	739	(A)	843	877
	OHL Output Shaft (B)	-	-	-	2503	2503	2503	2503	2503	2503	2503	2503	2503	2503	2503	2503

(A) (B) (C) - See Footnote page on inside back cover
Blank areas (-) indicate configuration not available

NOMENCLATURE PAGE RHB-5	STOCK/NON-STOCK PART NUMBERS PAGE RHB-50	DIMENSIONS PAGE RHB-154	THERMAL RATINGS PAGE RHB-364
----------------------------	---	----------------------------	---------------------------------

RIGHT ANGLE HELICAL BEVEL REDUCER (RHB)

SIZE: B_683

Service Factor 1.0 / Clamp Collar / 3 Pc Coupled / Separate

60 HZ

Triple Reduction

NEMA MOTOR FRAME IEC MOTOR FRAME SEPARATE GROUP		56C 71D 71			--- 80D 80			140TC 90D 90			180TC 100D 100			--- 112D 112		
RATIO	OUTPUT RATING DATA	3450	1750	1160	3450	1750	1160	3450	1750	1160	3450	1750	1160	3450	1750	1160
18.93	Output RPM	182	92	61	182	92	61	182	92	61	182	92	61	182	92	61
	Input HP (Max) (C)	3.98	2.02	1.34	4.85	2.46	1.63	9.86	5.01	3.32	14.85	9.93	6.87	14.85	9.93	6.94
	Output Torque, In-Lb OHL Input Shaft	1376 (A)	1377 215	1376 227	1675 (A)	1676 346	1675 360	3411 (A)	3413 456	3411 474	5134 (A)	6770 710	7061 736	5134 (A)	6770 843	7138 877
	OHL Output Shaft (B)	2503	2503	2503	2503	2503	2503	2503	2503	2503	2503	2503	2503	2503	2503	2503
21.22	Output RPM	163	82	55	163	82	55	163	82	55	163	82	55	163	82	55
	Input HP (Max) (C)	3.98	2.02	1.34	4.85	2.46	1.63	9.86	5.01	3.32	13.71	9.17	6.30	13.71	9.17	6.30
	Output Torque, In-Lb OHL Input Shaft	1542 (A)	1543 217	1542 226	1878 (A)	1879 346	1878 360	3823 (A)	3825 456	3823 474	5313 (A)	7005 707	7258 737	5313 (A)	7005 844	7258 878
	OHL Output Shaft (B)	2503	2503	2503	2503	2503	2503	2503	2503	2503	2503	2503	2503	2503	2503	2503
23.16	Output RPM	149	76	50	149	76	50	149	76	50	149	76	50	149	76	50
	Input HP (Max) (C)	3.98	2.02	1.34	4.85	2.46	1.63	9.86	5.01	3.32	12.89	8.62	5.77	12.89	8.62	5.77
	Output Torque, In-Lb OHL Input Shaft	1684 (A)	1685 218	1684 226	2050 (A)	2051 346	2050 360	4173 (A)	4175 455	4173 474	5454 (A)	7192 709	7258 739	5454 (A)	7192 844	7258 878
	OHL Output Shaft (B)	2503	2503	2503	2503	2503	2503	2503	2503	2503	2503	2503	2503	2503	2503	2503
25.42	Output RPM	136	69	46	136	69	46	136	69	46	136	69	46	136	69	46
	Input HP (Max) (C)	3.98	2.02	1.34	4.85	2.46	1.63	9.86	5.01	3.32	12.08	7.93	5.25	12.08	7.93	5.25
	Output Torque, In-Lb OHL Input Shaft	1848 (A)	1849 218	1848 228	2250 (A)	2251 346	2250 360	4581 (A)	4583 454	4581 473	5609 (A)	7262 711	7258 737	5609 (A)	7262 844	7258 879
	OHL Output Shaft (B)	2503	2503	2503	2503	2503	2503	2503	2503	2503	2503	2503	2503	2503	2503	2503
27.99	Output RPM	123	63	41	123	63	41	123	63	41	123	63	41	123	63	41
	Input HP (Max) (C)	3.98	2.02	1.35	4.85	2.46	1.63	9.86	5.01	3.32	11.29	7.20	4.77	11.29	7.20	4.77
	Output Torque, In-Lb OHL Input Shaft	2035 (A)	2036 217	2035 227	2478 (A)	2479 346	2478 360	5044 (A)	5047 453	5044 472	5773 (A)	7262 713	7258 739	5773 (A)	7262 836	7258 871
	OHL Output Shaft (B)	2503	2503	2503	2503	2503	2503	2503	2503	2503	2503	2503	2503	2503	2503	2503
30.38	Output RPM	114	58	38	114	58	38	114	58	38	114	58	38	114	58	38
	Input HP (Max) (C)	3.98	2.02	1.34	4.85	2.46	1.63	9.86	5.01	3.32	10.66	6.64	4.40	10.66	6.42	4.40
	Output Torque, In-Lb OHL Input Shaft	2209 (A)	2210 218	2209 227	2689 (A)	2691 346	2689 360	5474 (A)	5478 452	5474 470	5916 (A)	7262 714	7258 740	5916 (A)	7262 838	7258 873
	OHL Output Shaft (B)	2503	2503	2503	2503	2503	2503	2503	2503	2503	2503	2503	2503	2503	2503	2503
32.78	Output RPM	-	-	-	105	53	35	105	53	35	105	53	35	105	53	35
	Input HP (Max) (C)	-	-	-	4.85	2.46	1.63	8.90	5.01	3.32	8.90	5.95	4.07	8.90	6.15	4.07
	Output Torque, In-Lb OHL Input Shaft	-	-	-	2902 (A)	2903 346	2902 360	5332 (A)	5910 453	5907 471	5332 (A)	7027 714	7258 742	5332 (A)	7262 845	7258 879
	OHL Output Shaft (B)	-	-	-	2503	2503	2503	2503	2503	2503	2503	2503	2503	2503	2503	2503
39.39	Output RPM	-	-	-	88	44	30	88	44	30	88	44	30	88	44	30
	Input HP (Max) (C)	-	-	-	4.85	2.46	1.63	7.83	5.01	3.32	7.83	5.12	3.39	7.83	5.12	3.39
	Output Torque, In-Lb OHL Input Shaft	-	-	-	3486 (A)	3488 346	3486 360	5633 (A)	7101 454	7096 472	5633 (A)	7262 715	7258 743	5633 (A)	7262 845	7258 879
	OHL Output Shaft (B)	-	-	-	2503	2503	2503	2503	2503	2503	2503	2503	2503	2503	2503	2503
46.37	Output RPM	-	-	-	74	38	25	74	38	25	74	38	25	74	38	25
	Input HP (Max) (C)	-	-	-	4.85	2.46	1.63	6.98	4.35	2.88	6.98	4.35	2.88	6.98	4.35	2.88
	Output Torque, In-Lb OHL Input Shaft	-	-	-	4104 (A)	4107 346	4104 360	5915 (A)	7262 453	7258 472	5915 (A)	7262 715	7258 743	5915 (A)	7262 845	7258 879
	OHL Output Shaft (B)	-	-	-	2503	2503	2503	2503	2503	2503	2503	2503	2503	2503	2503	2503

(A) (B) (C) - See Footnote page on inside back cover
Blank areas (-) indicate configuration not available

NOMENCLATURE PAGE RHB-5	STOCK/NON-STOCK PART NUMBERS PAGE RHB-50	DIMENSIONS PAGE RHB-154	THERMAL RATINGS PAGE RHB-364
----------------------------	---	----------------------------	---------------------------------

RIGHT ANGLE HELICAL BEVEL REDUCER (RHB)

SIZE: B_683

Service Factor 1.0 / Clamp Collar / 3 Pc Coupled / Separate

60 HZ

Triple Reduction

NEMA MOTOR FRAME IEC MOTOR FRAME SEPARATE GROUP		56C 71D 71			--- 80D 80			140TC 90D 90			180TC 100D 100			--- 112D 112		
RATIO	OUTPUT RATING DATA	3450	1750	1160	3450	1750	1160	3450	1750	1160	3450	1750	1160	3450	1750	1160
51.96	Output RPM	66	34	22	66	34	22	66	34	22	66	34	22	66	34	22
	Input HP (Max) (C)	3.98	2.02	1.34	4.85	2.46	1.63	6.45	3.88	2.57	6.45	3.88	2.57	6.45	3.88	2.57
	Output Torque, In-Lb	3778	3780	3778	4599	4602	4599	6121	7262	7258	6121	7262	7258	6121	7262	7258
	OHL Input Shaft OHL Output Shaft (B)	(A) 215 2503	227 2503	(A) 2503	(A) 346 2503	360 2503	(A) 2503	(A) 455 2503	473 2503	(A) 2503	(A) 715 2503	744 2503	(A) 2503	(A) 845 2503	871 2503	(A) 2503
58.23	Output RPM	59	30	20	59	30	20	59	30	20	59	30	20	59	30	20
	Input HP (Max) (C)	3.98	2.02	1.34	4.85	2.46	1.63	5.95	3.46	2.29	5.95	3.46	2.29	5.95	3.46	2.29
	Output Torque, In-Lb	4234	4236	4234	5154	5157	5154	6334	7262	7258	6334	7262	7258	6334	7262	7258
	OHL Input Shaft OHL Output Shaft (B)	(A) 217 2503	226 2503	(A) 2503	(A) 346 2503	360 2503	(A) 2503	(A) 456 2503	474 2503	(A) 2503	(A) 715 2503	744 2503	(A) 2503	(A) 837 2503	873 2503	(A) 2503
63.57	Output RPM	54	28	18	54	28	18	54	28	18	54	28	18	54	28	18
	Input HP (Max) (C)	3.98	2.02	1.34	4.85	2.46	1.63	5.60	3.17	2.10	5.60	3.17	2.10	5.60	3.17	2.10
	Output Torque, In-Lb	4622	4624	4622	5627	5630	5627	6503	7262	7258	6503	7262	7258	6503	7262	7258
	OHL Input Shaft OHL Output Shaft (B)	(A) 218 2503	226 2503	(A) 2503	(A) 346 2503	360 2503	(A) 2503	(A) 456 2503	474 2503	(A) 2503	(A) 708 2503	744 2503	(A) 2503	(A) 839 2503	873 2503	(A) 2503
69.78	Output RPM	49	25	17	49	25	17	49	25	17	49	25	17	49	25	17
	Input HP (Max) (C)	3.98	2.02	1.34	4.85	2.46	1.63	5.25	2.89	1.91	5.25	2.89	1.91	5.25	2.89	1.91
	Output Torque, In-Lb	5073	5076	5073	6176	6180	6176	6688	7262	7258	6688	7262	7258	6688	7262	7258
	OHL Input Shaft OHL Output Shaft (B)	(A) 218 2503	228 2503	(A) 2503	(A) 346 2503	360 2503	(A) 2503	(A) 456 2503	475 2503	(A) 2503	(A) 709 2503	744 2503	(A) 2503	(A) 840 2503	874 2503	(A) 2503
76.84	Output RPM	45	23	15	45	23	15	45	23	15	45	23	15	45	23	15
	Input HP (Max) (C)	3.98	2.02	1.34	4.85	2.46	1.63	4.90	2.62	1.74	4.90	2.62	1.74	4.90	2.62	1.74
	Output Torque, In-Lb	5586	5590	5586	6801	6805	6801	6883	7262	7258	6883	7262	7258	6883	7262	7258
	OHL Input Shaft OHL Output Shaft (B)	(A) 217 2503	227 2503	(A) 2503	(A) 346 2503	360 2503	(A) 2503	(A) 457 2503	475 2503	(A) 2503	(A) 709 2503	737 2503	(A) 2503	(A) 841 2503	876 2503	(A) 2503
83.40	Output RPM	41	21	14	41	21	14	41	21	14	41	21	14	41	21	14
	Input HP (Max) (C)	3.98	2.02	1.34	4.63	2.42	1.60	4.63	2.42	1.60	4.63	2.42	1.60	4.63	2.42	1.60
	Output Torque, In-Lb	6063	6067	6063	7055	7262	7258	7055	7262	7258	7055	7262	7258	7055	7262	7258
	OHL Input Shaft OHL Output Shaft (B)	(A) 218 2503	227 2503	(A) 2503	(A) 346 2503	360 2503	(A) 2503	(A) 457 2503	475 2503	(A) 2503	(A) 710 2503	737 2503	(A) 2503	(A) 842 2503	876 2503	(A) 2503
90.89	Output RPM	38	19	13	38	19	13	38	19	13	38	19	13	38	19	13
	Input HP (Max) (C)	3.98	2.02	1.34	4.36	2.22	1.47	4.36	2.22	1.47	4.36	2.22	1.47	4.36	2.22	1.47
	Output Torque, In-Lb	6418	6612	6608	7239	7262	7258	7239	7262	7258	7239	7262	7258	7239	7262	7258
	OHL Input Shaft OHL Output Shaft (B)	(A) 218 2503	226 2503	(A) 2503	(A) 346 2503	360 2503	(A) 2503	(A) 457 2503	476 2503	(A) 2503	(A) 708 2503	738 2503	(A) 2503	(A) 842 2503	877 2503	(A) 2503
99.55	Output RPM	35	18	12	35	18	12	35	18	12	35	18	12	35	18	12
	Input HP (Max) (C)	3.98	1.97	1.34	3.99	2.03	1.34	3.99	2.03	1.34	3.99	2.03	1.34	3.99	2.03	1.34
	Output Torque, In-Lb	6559	7046	7237	7258	7262	7258	7258	7262	7258	7258	7262	7258	7258	7262	7258
	OHL Input Shaft OHL Output Shaft (B)	(A) 217 2503	227 2503	(A) 2503	(A) 346 2503	360 2503	(A) 2503	(A) 457 2503	476 2503	(A) 2503	(A) 709 2503	739 2503	(A) 2503	(A) 843 2503	877 2503	(A) 2503
109.64	Output RPM	32	16	11	32	16	11	32	16	11	32	16	11	32	16	11
	Input HP (Max) (C)	3.62	1.82	1.22	3.62	1.84	1.22	3.62	1.84	1.22	3.62	1.84	1.22	3.62	1.84	1.22
	Output Torque, In-Lb	6699	7197	7258	7258	7262	7258	7258	7262	7258	7258	7262	7258	7258	7262	7258
	OHL Input Shaft OHL Output Shaft (B)	(A) 209 2503	219 2503	(A) 2503	(A) 346 2503	360 2503	(A) 2503	(A) 457 2503	476 2503	(A) 2503	(A) 709 2503	740 2503	(A) 2503	(A) 843 2503	878 2503	(A) 2503

(A) (B) (C) - See Footnote page on inside back cover
Blank areas (-) indicate configuration not available

NOMENCLATURE PAGE RHB-5	STOCK/NON-STOCK PART NUMBERS PAGE RHB-50	DIMENSIONS PAGE RHB-154	THERMAL RATINGS PAGE RHB-364
----------------------------	---	----------------------------	---------------------------------

RIGHT ANGLE HELICAL BEVEL REDUCER (RHB)

SIZE: B_683

Service Factor 1.0 / Clamp Collar / 3 Pc Coupled / Separate

60 HZ

Triple Reduction

NEMA MOTOR FRAME IEC MOTOR FRAME SEPARATE GROUP		56C 71D 71			--- 80D 80			140TC 90D 90			180TC 100D 100			--- 112D 112		
RATIO	OUTPUT RATING DATA	3450	1750	1160	3450	1750	1160	3450	1750	1160	3450	1750	1160	3450	1750	1160
126.09	Output RPM	27	14	9	27	14	9	27	14	9	27	14	9	27	14	9
	Input HP (Max) (C)	3.15	1.60	1.06	3.15	1.60	1.06	3.15	1.60	1.06	3.15	1.60	1.06	3.15	1.60	1.06
	Output Torque, In-Lb	6890	7262	7258	7258	7262	7258	7258	7262	7258	7258	7262	7258	7258	7262	7258
	OHL Input Shaft (A)	210	219	(A)	346	360	(A)	457	476	(A)	710	741	(A)	844	878	(A)
OHL Output Shaft (B)	2503	2503	2503	2503	2503	2503	2503	2503	2503	2503	2503	2503	2503	2503	2503	2503
136.60	Output RPM	25	13	9	25	13	9	25	13	9	25	13	9	25	13	9
	Input HP (Max) (C)	2.91	1.48	0.98	2.91	1.48	0.98	2.91	1.48	0.98	2.91	1.48	0.98	2.91	1.48	0.98
	Output Torque, In-Lb	6992	7262	7258	7258	7262	7258	7258	7262	7258	7258	7262	7258	7258	7262	7258
	OHL Input Shaft (A)	209	219	(A)	346	360	(A)	457	476	(A)	709	741	(A)	844	879	(A)
OHL Output Shaft (B)	2503	2503	2503	2503	2503	2503	2503	2503	2503	2503	2503	2503	2503	2503	2503	2503
150.98	Output RPM	23	12	8	23	12	8	23	12	8	23	12	8	-	-	-
	Input HP (Max) (C)	2.63	1.34	0.88	2.63	1.34	0.88	2.63	1.34	0.88	2.63	1.34	0.88	-	-	-
	Output Torque, In-Lb	7112	7262	7258	7258	7262	7258	7258	7262	7258	7258	7262	7258	-	-	-
	OHL Input Shaft (A)	210	218	(A)	346	360	(A)	453	472	(A)	710	742	-	-	-	-
OHL Output Shaft (B)	2503	2503	2503	2503	2503	2503	2503	2503	2503	2503	2503	2503	-	-	-	-
176.14	Output RPM	20	10	7	20	10	7	20	10	7	-	-	-	-	-	-
	Input HP (Max) (C)	2.26	1.14	0.76	2.26	1.14	0.76	2.26	1.14	0.76	-	-	-	-	-	-
	Output Torque, In-Lb	7258	7262	7258	7258	7262	7258	7258	7262	7258	-	-	-	-	-	-
	OHL Input Shaft (A)	211	218	(A)	343	357	(A)	455	473	-	-	-	-	-	-	-
OHL Output Shaft (B)	2503	2503	2503	2503	2503	2503	2503	2503	2503	-	-	-	-	-	-	-
196.07	Output RPM	18	9	6	18	9	6	18	9	6	-	-	-	-	-	-
	Input HP (Max) (C)	2.03	1.03	0.68	2.03	1.03	0.68	2.03	1.03	0.68	-	-	-	-	-	-
	Output Torque, In-Lb	7258	7262	7258	7258	7262	7258	7258	7262	7258	-	-	-	-	-	-
	OHL Input Shaft (A)	211	220	(A)	344	357	(A)	455	473	-	-	-	-	-	-	-
OHL Output Shaft (B)	2503	2503	2503	2503	2503	2503	2503	2503	2503	-	-	-	-	-	-	-
215.68	Output RPM	16	8	5	16	8	5	16	8	5	-	-	-	-	-	-
	Input HP (Max) (C)	1.84	0.93	0.62	1.84	0.93	0.62	1.84	0.93	0.62	-	-	-	-	-	-
	Output Torque, In-Lb	7258	7262	7258	7258	7262	7258	7258	7262	7258	-	-	-	-	-	-
	OHL Input Shaft (A)	211	219	(A)	344	358	(A)	455	474	-	-	-	-	-	-	-
OHL Output Shaft (B)	2503	2503	2503	2503	2503	2503	2503	2503	2503	-	-	-	-	-	-	-
243.72	Output RPM	14	7	5	14	7	5	-	-	-	-	-	-	-	-	-
	Input HP (Max) (C)	1.63	0.83	0.55	1.63	0.83	0.55	-	-	-	-	-	-	-	-	-
	Output Torque, In-Lb	7258	7262	7258	7258	7262	7258	-	-	-	-	-	-	-	-	-
	OHL Input Shaft (A)	211	220	(A)	345	358	-	-	-	-	-	-	-	-	-	-
OHL Output Shaft (B)	2503	2503	2503	2503	2503	2503	-	-	-	-	-	-	-	-	-	-

(A) (B) (C) - See Footnote page on inside back cover
Blank areas (-) indicate configuration not available

NOMENCLATURE PAGE RHB-5	STOCK/NON-STOCK PART NUMBERS PAGE RHB-50	DIMENSIONS PAGE RHB-154	THERMAL RATINGS PAGE RHB-364
----------------------------	---	----------------------------	---------------------------------

SELECTION



RIGHT ANGLE HELICAL BEVEL REDUCER (RHB)

SIZE: B_883

Service Factor 1.0 / Clamp Collar / 3 Pc Coupled / Separate

60 HZ

Triple Reduction

NEMA MOTOR FRAME IEC MOTOR FRAME SEPARATE GROUP		56C 71D 71			--- 80D 80			140TC 90D 90			180TC 100D 100			--- 112D 112			210TC 132D 132		
RATIO	OUTPUT RATING DATA	3450	1750	1160	3450	1750	1160	3450	1750	1160	3450	1750	1160	3450	1750	1160	3450	1750	1160
5.54	Output RPM	-	-	-	-	-	-	-	-	-	622	316	209	622	316	209	622	316	209
	Input HP (Max) (C)	-	-	-	-	-	-	-	-	-	20.42	10.36	6.87	27.34	13.88	9.19	42.96	26.94	18.12
	Output Torque, In-Lb	-	-	-	-	-	-	-	-	-	2068	2069	2068	2769	2770	2769	4350	5377	5459
	OHL Input Shaft OHL Output Shaft (B)	-	-	-	-	-	-	-	-	-	(A) (A)	713 4505	742 4512	(A) (A)	843 4505	877 4512	(A) (A)	947 4505	994 4512
6.69	Output RPM	-	-	-	-	-	-	-	-	-	516	262	173	516	262	173	516	262	173
	Input HP (Max) (C)	-	-	-	-	-	-	-	-	-	20.42	10.36	6.87	27.34	13.88	9.19	37.92	25.39	17.09
	Output Torque, In-Lb	-	-	-	-	-	-	-	-	-	2495	2496	2495	3340	3342	3340	4633	6116	6209
	OHL Input Shaft OHL Output Shaft (B)	-	-	-	-	-	-	-	-	-	(A) (A)	713 4505	742 4512	(A) (A)	843 4505	877 4512	(A) (A)	946 4505	994 4512
8.03	Output RPM	-	-	-	430	218	145	430	218	145	430	218	145	430	218	145	430	218	145
	Input HP (Max) (C)	-	-	-	4.85	2.46	1.63	9.86	5.01	3.32	20.42	10.36	6.87	27.34	13.88	9.19	33.57	23.75	15.69
	Output Torque, In-Lb	-	-	-	710	711	710	1446	1447	1446	2994	2995	2994	4008	4011	4008	4922	6865	6843
	OHL Input Shaft OHL Output Shaft (B)	-	-	-	(A) (A)	346 4512	360 4512	(A) (A)	453 4512	471 4512	(A) (A)	711 4512	740 4512	(A) (A)	840 4512	876 4512	(A) (A)	948 4512	995 4512
9.41	Output RPM	-	-	-	367	186	123	367	186	123	367	186	123	367	186	123	367	186	123
	Input HP (Max) (C)	-	-	-	4.85	2.46	1.63	9.86	5.01	3.32	20.42	10.36	6.87	27.34	13.88	9.19	30.16	22.21	14.10
	Output Torque, In-Lb	-	-	-	833	833	833	1695	1696	1695	3509	3511	3509	4699	4701	4698	5184	7526	7207
	OHL Input Shaft OHL Output Shaft (B)	-	-	-	(A) (A)	346 4512	360 4512	(A) (A)	454 4512	472 4512	(A) (A)	707 4512	739 4512	(A) (A)	836 4512	876 4512	(A) (A)	951 4512	995 4512
11.64	Output RPM	-	-	-	-	-	-	-	-	-	296	150	100	296	150	100	296	150	100
	Input HP (Max) (C)	-	-	-	-	-	-	-	-	-	20.42	10.36	6.87	27.34	13.88	9.19	35.95	26.93	16.81
	Output Torque, In-Lb	-	-	-	-	-	-	-	-	-	4342	4344	4342	5814	5817	5814	7645	11290	10630
	OHL Input Shaft OHL Output Shaft (B)	-	-	-	-	-	-	-	-	-	(A) (A)	713 4505	742 4512	(A) (A)	843 4512	877 4512	(A) (A)	947 4505	994 4512
14.04	Output RPM	-	-	-	-	-	-	-	-	-	246	125	83	246	125	83	246	125	83
	Input HP (Max) (C)	-	-	-	-	-	-	-	-	-	20.42	10.36	6.87	27.34	13.88	9.19	31.53	24.90	14.74
	Output Torque, In-Lb	-	-	-	-	-	-	-	-	-	5238	5241	5238	7014	7018	7014	8089	12592	11246
	OHL Input Shaft OHL Output Shaft (B)	-	-	-	-	-	-	-	-	-	(A) (A)	713 4512	742 4512	(A) (A)	843 4512	877 4512	(A) (A)	948 4512	994 4512
16.85	Output RPM	-	-	-	205	104	69	205	104	69	205	104	69	205	104	69	205	104	69
	Input HP (Max) (C)	-	-	-	4.85	2.46	1.63	9.86	5.01	3.32	20.42	10.36	6.87	27.34	13.88	9.19	27.75	21.91	12.97
	Output Torque, In-Lb	-	-	-	1492	1492	1492	3036	3038	3036	6286	6290	6286	8417	8422	8417	8544	13299	11879
	OHL Input Shaft OHL Output Shaft (B)	-	-	-	(A) (A)	346 4512	360 4512	(A) (A)	453 4512	471 4512	(A) (A)	711 4512	740 4512	(A) (A)	840 4512	876 4512	(A) (A)	951 4512	995 4512
19.75	Output RPM	-	-	-	175	89	59	175	89	59	175	89	59	175	89	59	175	89	59
	Input HP (Max) (C)	-	-	-	4.85	2.46	1.63	9.86	5.01	3.32	20.42	10.36	6.87	24.83	13.88	9.19	24.83	19.60	11.61
	Output Torque, In-Lb	-	-	-	1748	1749	1748	3559	3561	3559	7368	7373	7368	8960	9872	9866	8960	13947	12458
	OHL Input Shaft OHL Output Shaft (B)	-	-	-	(A) (A)	346 4512	360 4512	(A) (A)	454 4512	472 4512	(A) (A)	707 4512	739 4512	(A) (A)	836 4512	886 4512	(A) (A)	953 4512	996 4512
23.54	Output RPM	-	-	-	147	74	49	147	74	49	147	74	49	147	74	49	147	74	49
	Input HP (Max) (C)	-	-	-	4.85	2.46	1.63	9.86	5.01	3.32	20.42	10.36	6.87	21.96	13.75	9.19	21.96	17.23	10.27
	Output Torque, In-Lb	-	-	-	2084	2085	2084	4242	4244	4242	8782	8787	8782	9444	11656	11758	9444	14612	13131
	OHL Input Shaft OHL Output Shaft (B)	-	-	-	(A) (A)	346 4512	360 4512	(A) (A)	456 4512	474 4512	(A) (A)	708 4512	738 4512	(A) (A)	838 4512	853 4512	(A) (A)	955 4512	996 4512

(A) (B) (C) - See Footnote page on inside back cover
Blank areas (-) indicate configuration not available

NOMENCLATURE PAGE RHB-5	STOCK/NON-STOCK PART NUMBERS PAGE RHB-50	DIMENSIONS PAGE RHB-186	THERMAL RATINGS PAGE RHB-364
----------------------------	---	----------------------------	---------------------------------

RIGHT ANGLE HELICAL BEVEL REDUCER (RHB)

SIZE: B_883

Service Factor 1.0 / Clamp Collar / 3 Pc Coupled / Separate

60 HZ

Triple Reduction

NEMA MOTOR FRAME IEC MOTOR FRAME SEPARATE GROUP		56C 71D 71			--- 80D 80			140TC 90D 90			180TC 100D 100			--- 112D 112			210TC 132D 132			
RATIO	OUTPUT RATING DATA	3450	1750	1160	3450	1750	1160	3450	1750	1160	3450	1750	1160	3450	1750	1160	3450	1750	1160	
25.53	Output RPM	135	69	45	135	69	45	135	69	45	135	69	45	135	69	45	135	69	45	
	Input HP (Max) (C)	3.98	2.02	1.34	4.85	2.46	1.63	9.86	5.01	3.32	19.95	10.36	6.87	20.75	13.25	8.95	20.75	15.89	9.70	
	Output Torque, In-Lb	1856	1857	1856	2260	2261	2260	4601	4603	4601	9305	9530	9524	9677	12185	12411	9677	14612	13455	
	OHL Input Shaft (A)	218	225	225	(A) 346	360	(A) 456	475	(A) 456	475	(A) 712	738	(A) 828	819	(A) 828	819	(A) 956	997	(A) 956	997
	OHL Output Shaft (B)	4512	4512	4512	4512	4512	4512	4512	4512	4512	4512	4512	4512	4512	4512	4512	4512	4512	4512	4512
28.50	Output RPM	121	61	41	121	61	41	121	61	41	121	61	41	121	61	41	121	61	41	
	Input HP (Max) (C)	3.98	2.02	1.34	4.85	2.46	1.63	9.86	5.01	3.32	18.96	9.95	6.85	19.21	12.58	8.49	19.21	14.24	8.98	
	Output Torque, In-Lb	2072	2073	2072	2523	2524	2523	5135	5138	5135	9869	10212	10605	10003	12912	13152	10003	14612	13907	
	OHL Input Shaft (A)	218	226	226	(A) 346	360	(A) 456	475	(A) 456	475	(A) 695	738	(A) 773	770	(A) 773	770	(A) 957	997	(A) 957	997
	OHL Output Shaft (B)	4512	4512	4512	4512	4512	4512	4512	4512	4512	4512	4512	4512	4512	4512	4512	4512	4512	4512	4512
30.87	Output RPM	112	57	38	112	57	38	112	57	38	112	57	38	112	57	38	112	57	38	
	Input HP (Max) (C)	3.98	2.02	1.34	4.85	2.46	1.63	9.86	5.01	3.32	18.16	9.57	6.59	18.16	12.10	8.17	18.16	13.14	8.49	
	Output Torque, In-Lb	2244	2246	2244	2732	2734	2732	5562	5565	5562	10243	10635	11047	10243	13452	13702	10243	14612	14241	
	OHL Input Shaft (A)	217	226	226	(A) 346	360	(A) 455	475	(A) 455	475	(A) 660	737	(A) 729	733	(A) 729	733	(A) 958	997	(A) 958	997
	OHL Output Shaft (B)	4512	4512	4512	4512	4512	4512	4512	4512	4512	4512	4512	4512	4512	4512	4512	4512	4512	4512	4512
34.40	Output RPM	-	-	-	-	-	-	-	-	-	100	51	34	100	51	34	100	51	34	
	Input HP (Max) (C)	-	-	-	-	-	-	-	-	-	18.13	10.36	6.87	18.13	11.80	7.81	18.13	11.80	7.81	
	Output Torque, In-Lb	-	-	-	-	-	-	-	-	-	11393	12837	12830	11393	14612	14604	11393	14612	14604	
	OHL Input Shaft (A)	-	-	-	-	-	-	-	-	-	(A) 713	742	(A) 840	874	(A) 840	874	(A) 958	997	(A) 958	997
	OHL Output Shaft (B)	-	-	-	-	-	-	-	-	-	4512	4512	4512	4512	4512	4512	4512	4512	4512	4512
41.50	Output RPM	-	-	-	-	-	-	-	-	-	83	42	28	83	42	28	83	42	28	
	Input HP (Max) (C)	-	-	-	-	-	-	-	-	-	15.90	9.78	6.48	15.90	9.78	6.48	15.90	9.78	6.48	
	Output Torque, In-Lb	-	-	-	-	-	-	-	-	-	12055	14612	14604	12055	14612	14604	12055	14612	14604	
	OHL Input Shaft (A)	-	-	-	-	-	-	-	-	-	(A) 713	742	(A) 839	874	(A) 839	874	(A) 958	997	(A) 958	997
	OHL Output Shaft (B)	-	-	-	-	-	-	-	-	-	4512	4512	4512	4512	4512	4512	4512	4512	4512	4512
49.80	Output RPM	-	-	-	69	35	23	69	35	23	69	35	23	69	35	23	69	35	23	
	Input HP (Max) (C)	-	-	-	4.85	2.46	1.63	9.86	5.01	3.32	13.99	8.15	5.40	13.99	8.15	5.54	13.99	8.15	5.40	
	Output Torque, In-Lb	-	-	-	4407	4410	4407	8972	8977	8972	12730	14612	14604	12730	14612	14604	12730	14612	14604	
	OHL Input Shaft (A)	-	-	-	(A) 346	360	(A) 453	471	(A) 453	471	(A) 708	737	(A) 842	876	(A) 842	876	(A) 959	998	(A) 959	998
	OHL Output Shaft (B)	-	-	-	4512	4512	4512	4512	4512	4512	4512	4512	4512	4512	4512	4512	4512	4512	4512	4512
58.37	Output RPM	-	-	-	59	30	20	59	30	20	59	30	20	59	30	20	59	30	20	
	Input HP (Max) (C)	-	-	-	4.85	2.46	1.63	9.86	5.01	3.32	12.52	6.95	4.60	12.52	6.95	4.60	12.52	6.95	4.60	
	Output Torque, In-Lb	-	-	-	5166	5169	5156	10517	10523	10517	13353	14612	14604	13353	14612	14604	13353	14612	14604	
	OHL Input Shaft (A)	-	-	-	(A) 346	360	(A) 454	472	(A) 454	472	(A) 707	737	(A) 844	878	(A) 844	878	(A) 959	998	(A) 959	998
	OHL Output Shaft (B)	-	-	-	4512	4512	4512	4512	4512	4512	4512	4512	4512	4512	4512	4512	4512	4512	4512	4512
69.57	Output RPM	-	-	-	50	25	17	50	25	17	50	25	17	50	25	17	50	25	17	
	Input HP (Max) (C)	-	-	-	4.85	2.46	1.63	9.86	5.01	3.32	11.08	5.83	3.86	11.08	5.83	3.86	11.08	5.83	3.86	
	Output Torque, In-Lb	-	-	-	6157	6161	6157	12535	12542	12535	14076	14612	14604	14076	14612	14604	14076	14612	14604	
	OHL Input Shaft (A)	-	-	-	(A) 346	360	(A) 456	474	(A) 456	474	(A) 711	740	(A) 844	879	(A) 844	879	(A) 959	998	(A) 959	998
	OHL Output Shaft (B)	-	-	-	4512	4512	4512	4512	4512	4512	4512	4512	4512	4512	4512	4512	4512	4512	4512	4512
75.45	Output RPM	46	23	15	46	23	15	46	23	15	46	23	15	46	23	15	46	23	15	
	Input HP (Max) (C)	3.98	2.02	1.34	4.85	2.46	1.63	9.86	5.01	3.32	10.46	5.38	3.56	10.46	5.38	3.56	10.46	5.38	3.56	
	Output Torque, In-Lb	5484	5489	5485	6678	6682	6678	13594	13602	13594	14423	14612	14604	14423	14612	14604	14423	14612	14604	
	OHL Input Shaft (A)	218	225	225	(A) 346	360	(A) 456	475	(A) 456	475	(A) 712	741	(A) 845	879	(A) 845	879	(A) 959	998	(A) 959	998
	OHL Output Shaft (B)	4512	4512	4512	4512	4512	4512	4512	4512	4512	4512	4512	4512	4512	4512	4512	4512	4512	4512	4512

(A) (B) (C) - See Footnote page on inside back cover
Blank areas (-) indicate configuration not available

NOMENCLATURE PAGE RHB-5	STOCK/NON-STOCK PART NUMBERS PAGE RHB-50	DIMENSIONS PAGE RHB-186	THERMAL RATINGS PAGE RHB-364
----------------------------	---	----------------------------	---------------------------------

RIGHT ANGLE HELICAL BEVEL REDUCER (RHB)

SIZE: B_883
60 HZ

Service Factor 1.0 / Clamp Collar / 3 Pc Coupled / Separate Triple Reduction

NEMA MOTOR FRAME IEC MOTOR FRAME SEPARATE GROUP		56C 71D 71			--- 80D 80			140TC 90D 90			180TC 100D 100			--- 112D 112			210TC 132D 132		
RATIO	OUTPUT RATING DATA	3450	1750	1160	3450	1750	1160	3450	1750	1160	3450	1750	1160	3450	1750	1160	3450	1750	1160
84.21	Output RPM	41	21	14	41	21	14	41	21	14	41	21	14	41	21	14	41	21	14
	Input HP (Max) (C)	3.98	2.02	1.34	4.85	2.46	1.63	9.49	4.82	3.19	9.49	4.82	3.19	9.49	4.82	3.19	9.49	4.82	3.19
	Output Torque, In-Lb (A)	6123	6126	6123	7454	7458	7454	14604	14612	14604	14604	14612	14604	14604	14612	14604	14604	14612	14604
	OHL Input Shaft (A)	218	226	(A)	346	360	(A)	456	475	(A)	713	742	(A)	845	879	(A)	989	(A)	989
OHL Output Shaft (B)	4512	4512	4512	4512	4512	4512	4512	4512	4512	4512	4512	4512	4512	4512	4512	4512	4512	4512	4512
91.22	Output RPM	38	19	13	38	19	13	38	19	13	38	19	13	38	19	13	38	19	13
	Input HP (Max) (C)	3.98	2.02	1.34	4.85	2.46	1.63	8.76	4.45	2.95	8.76	4.45	2.95	8.76	4.45	2.95	8.76	4.45	2.95
	Output Torque, In-Lb (A)	6632	6636	6632	8073	8078	8073	14604	14612	14604	14604	14612	14604	14604	14612	14604	14604	14612	14604
	OHL Input Shaft (A)	217	226	(A)	346	360	(A)	456	475	(A)	713	742	(A)	845	879	(A)	990	(A)	990
OHL Output Shaft (B)	4512	4512	4512	4512	4512	4512	4512	4512	4512	4512	4512	4512	4512	4512	4512	4512	4512	4512	4512
103.38	Output RPM	33	17	11	33	17	11	33	17	11	33	17	11	33	17	11	33	17	11
	Input HP (Max) (C)	3.98	2.02	1.34	4.85	2.46	1.63	7.73	3.92	2.60	7.73	3.92	2.60	7.73	3.92	2.60	7.73	3.92	2.60
	Output Torque, In-Lb (A)	7516	7521	7516	9150	9156	9150	14604	14612	14604	14604	14612	14604	14604	14612	14604	14604	14612	14604
	OHL Input Shaft (A)	219	228	(A)	346	360	(A)	452	471	(A)	714	743	(A)	879	(A)	993	(A)	993	
OHL Output Shaft (B)	4512	4512	4512	4512	4512	4512	4512	4512	4512	4512	4512	4512	4512	4512	4512	4512	4512	4512	4512
111.37	Output RPM	31	16	10	31	16	10	31	16	10	31	16	10	31	16	10	31	16	10
	Input HP (Max) (C)	3.98	2.02	1.34	4.85	2.46	1.63	7.18	3.64	2.41	7.08	3.64	2.41	7.18	3.64	2.41	7.18	3.64	2.41
	Output Torque, In-Lb (A)	8097	8102	8097	9857	9863	9857	14604	14612	14604	14604	14612	14604	14604	14612	14604	14604	14612	14604
	OHL Input Shaft (A)	218	227	(A)	346	360	(A)	452	472	(A)	714	743	(A)	879	(A)	993	(A)	993	
OHL Output Shaft (B)	4512	4512	4512	4512	4512	4512	4512	4512	4512	4512	4512	4512	4512	4512	4512	4512	4512	4512	4512
120.42	Output RPM	29	15	10	29	15	10	29	15	10	29	15	10	29	15	10	29	15	10
	Input HP (Max) (C)	3.98	2.02	1.34	4.85	2.46	1.63	6.64	3.37	2.23	6.64	3.37	2.23	6.64	3.37	2.23	6.64	3.37	2.23
	Output Torque, In-Lb (A)	8755	8760	8755	10658	10665	10658	14604	14612	14604	14604	14612	14604	14604	14612	14604	14604	14612	14604
	OHL Input Shaft (A)	218	227	(A)	346	360	(A)	454	471	(A)	714	743	(A)	879	(A)	994	(A)	994	
OHL Output Shaft (B)	4512	4512	4512	4512	4512	4512	4512	4512	4512	4512	4512	4512	4512	4512	4512	4512	4512	4512	4512
130.77	Output RPM	26	13	9	26	13	9	26	13	9	26	13	9	26	13	9	26	13	9
	Input HP (Max) (C)	3.98	2.02	1.34	4.85	2.46	1.63	6.11	3.10	2.06	6.11	3.10	2.06	6.11	3.10	2.06	6.11	3.10	2.06
	Output Torque, In-Lb (A)	9507	9513	9087	11574	11581	11574	14604	14612	14604	14604	14612	14604	14604	14612	14604	14604	14612	14604
	OHL Input Shaft (A)	218	226	(A)	345	359	(A)	454	472	(A)	714	743	(A)	879	(A)	995	(A)	995	
OHL Output Shaft (B)	4512	4512	4512	4512	4512	4512	4512	4512	4512	4512	4512	4512	4512	4512	4512	4512	4512	4512	4512
144.58	Output RPM	24	12	8	24	12	8	24	12	8	24	12	8	24	12	8	24	12	8
	Input HP (Max) (C)	3.98	2.01	1.34	4.85	2.46	1.63	5.53	2.81	1.86	5.53	2.81	1.86	5.53	2.81	1.86	5.53	2.81	1.86
	Output Torque, In-Lb (A)	10511	10445	10511	12797	12804	12797	14604	14612	14604	14604	14612	14604	14604	14612	14604	14604	14612	14604
	OHL Input Shaft (A)	217	227	(A)	345	359	(A)	454	473	(A)	714	744	(A)	872	(A)	996	(A)	996	
OHL Output Shaft (B)	4512	4512	4512	4512	4512	4512	4512	4512	4512	4512	4512	4512	4512	4512	4512	4512	4512	4512	4512
156.63	Output RPM	22	11	7	22	11	7	22	11	7	22	11	7	22	11	7	22	11	7
	Input HP (Max) (C)	3.98	1.88	1.34	4.85	2.46	1.63	5.10	2.59	1.72	5.10	2.59	1.72	5.10	2.59	1.72	5.10	2.59	1.72
	Output Torque, In-Lb (A)	11387	10610	11387	13863	13871	13863	14604	14612	14604	14604	14612	14604	14604	14612	14604	14604	14612	14604
	OHL Input Shaft (A)	218	227	(A)	345	359	(A)	455	474	(A)	715	744	(A)	874	(A)	996	(A)	996	
OHL Output Shaft (B)	4512	4512	4512	4512	4512	4512	4512	4512	4512	4512	4512	4512	4512	4512	4512	4512	4512	4512	4512
176.50	Output RPM	20	10	7	20	10	7	20	10	7	20	10	7	20	10	7	-	-	-
	Input HP (Max) (C)	3.88	1.70	1.34	4.53	2.30	1.52	4.53	2.30	1.52	4.53	2.30	1.52	4.53	2.30	1.52	-	-	-
	Output Torque, In-Lb (A)	12521	10834	12832	14604	14612	14604	14604	14612	14604	14604	14612	14604	14604	14612	14604	-	-	-
	OHL Input Shaft (A)	218	226	(A)	345	359	(A)	456	474	(A)	714	744	(A)	874	(A)	-	-	-	
OHL Output Shaft (B)	4512	4512	4512	4512	4512	4512	4512	4512	4512	4512	4512	4512	4512	4512	4512	-	-	-	

(A) (B) (C) - See Footnote page on inside back cover
Blank areas (-) indicate configuration not available

NOMENCLATURE PAGE RHB-5	STOCK/NON-STOCK PART NUMBERS PAGE RHB-50	DIMENSIONS PAGE RHB-186	THERMAL RATINGS PAGE RHB-364
----------------------------	---	----------------------------	---------------------------------

SELECTION



RIGHT ANGLE HELICAL BEVEL REDUCER (RHB)

SIZE: B_883

Service Factor 1.0 / Clamp Collar / 3 Pc Coupled / Separate

60 HZ

Triple Reduction

NEMA MOTOR FRAME IEC MOTOR FRAME SEPARATE GROUP		56C 71D 71			--- 80D 80			140TC 90D 90			180TC 100D 100			--- 112D 112			210TC 132D 132		
RATIO	OUTPUT RATING DATA	3450	1750	1160	3450	1750	1160	3450	1750	1160	3450	1750	1160	3450	1750	1160	3450	1750	1160
193.24	Output RPM	18	9	6	18	9	6	18	9	6	18	9	6	18	9	6	-	-	-
	Input HP (Max) (C)	3.23	1.58	1.33	3.23	2.10	1.39	3.23	2.10	1.39	3.23	2.10	1.39	3.23	2.10	1.39	-	-	-
	Output Torque, In-Lb	11392	10992	13942	11393	14612	14604	11392	14612	14604	11393	14612	14604	11393	14612	14604	-	-	-
	OHL Input Shaft OHL Output Shaft (B)	(A) 4512	218 4512	226 4512	(A) 4512	345 4512	359 4512	(A) 4512	456 4512	475 4512	(A) 4512	714 4512	744 4512	(A) 4512	(A) 4512	(A) 4512	-	-	-
215.25	Output RPM	16	8	5	16	8	5	16	8	5	16	8	5	-	-	-	-	-	-
	Input HP (Max) (C)	3.46	1.44	1.25	3.71	1.88	1.25	3.71	1.88	1.25	3.71	1.88	1.25	-	-	-	-	-	-
	Output Torque, In-Lb	13609	11169	14584	14604	14612	14604	14604	14612	14604	14604	14612	14604	-	-	-	-	-	-
	OHL Input Shaft OHL Output Shaft (B)	(A) 4512	218 4512	228 4512	(A) 4512	345 4512	359 4512	(A) 4512	456 4512	475 4512	(A) 4512	714 4512	744 4512	-	-	-	-	-	-
246.13	Output RPM	14	7	5	14	7	5	14	7	5	-	-	-	-	-	-	-	-	-
	Input HP (Max) (C)	3.20	1.28	1.09	3.25	1.65	1.09	3.25	1.65	1.09	-	-	-	-	-	-	-	-	-
	Output Torque, In-Lb	14369	11368	14604	14604	14612	14604	14604	14612	14604	-	-	-	-	-	-	-	-	-
	OHL Input Shaft OHL Output Shaft (B)	(A) 4512	218 4512	228 4512	(A) 4512	346 4512	360 4512	(A) 4512	457 4512	475 4512	-	-	-	-	-	-	-	-	-
272.95	Output RPM	13	6	4	13	6	4	13	6	4	-	-	-	-	-	-	-	-	-
	Input HP (Max) (C)	2.93	1.17	0.98	2.93	1.49	0.98	2.93	1.49	0.98	-	-	-	-	-	-	-	-	-
	Output Torque, In-Lb	14604	11508	14604	14604	14612	14604	14604	14612	14604	-	-	-	-	-	-	-	-	-
	OHL Input Shaft OHL Output Shaft (B)	(A) 4512	219 4512	227 4512	(A) 4512	346 4512	360 4512	(A) 4512	457 4512	475 4512	-	-	-	-	-	-	-	-	-
302.68	Output RPM	11	6	4	11	6	4	11	6	4	-	-	-	-	-	-	-	-	-
	Input HP (Max) (C)	2.64	1.07	0.89	2.64	1.34	0.89	2.64	1.34	0.89	-	-	-	-	-	-	-	-	-
	Output Torque, In-Lb	14604	11638	14604	11993	14612	13268	11993	14612	13268	-	-	-	-	-	-	-	-	-
	OHL Input Shaft OHL Output Shaft (B)	(A) 4512	219 4512	228 4512	(A) 4512	346 4512	360 4512	(A) 4512	457 4512	475 4512	-	-	-	-	-	-	-	-	-

(A) (B) (C) - See Footnote page on inside back cover
Blank areas (-) indicate configuration not available

NOMENCLATURE PAGE RHB-5	STOCK/NON-STOCK PART NUMBERS PAGE RHB-50	DIMENSIONS PAGE RHB-186	THERMAL RATINGS PAGE RHB-364
----------------------------	---	----------------------------	---------------------------------

QUANTIS

QUANTIS GOLD

ILH

RHB

MSM

RIGHT ANGLE HELICAL BEVEL REDUCER (RHB)

SIZE: B_1083
60 HZ

Service Factor 1.0 / Clamp Collar / 3 Pc Coupled / Separate Triple Reduction

NEMA MOTOR FRAME IEC MOTOR FRAME SEPARATE GROUP		--- 80D 80			140TC 90D 90			180TC 100D 100			--- 112D 112			210TC 132D 132			250TC 160D 160		
RATIO	OUTPUT RATING DATA	3450	1750	1160	3450	1750	1160	3450	1750	1160	3450	1750	1160	3450	1750	1160	3450	1750	1160
7.68	Output RPM	-	-	-	-	-	-	-	-	-	449	228	151	449	228	151	449	228	151
	Input HP (Max) (C)	-	-	-	-	-	-	-	-	-	27.34	13.88	9.19	56.19	30.20	20.32	81.12	45.36	30.14
	Output Torque, In-Lb	-	-	-	-	-	-	-	-	-	3834	3836	3834	7880	8348	8475	11375	12540	12569
	OHL Input Shaft	-	-	-	-	-	-	-	-	-	(A) 838	872	(A) 838	872	(A) 946	993	(A) 1380	1574	1574
OHL Output Shaft (B)	-	-	-	-	-	-	-	-	-	(A) 5586	5586	(A) 5586	5586	(A) 5586	5586	(A) 5586	5586	5586	
9.36	Output RPM	-	-	-	-	-	-	368	187	124	368	187	124	368	187	124	368	187	124
	Input HP (Max) (C)	-	-	-	-	-	-	20.42	10.36	6.87	27.34	13.88	9.19	53.27	28.63	19.27	69.65	37.72	25.33
	Output Torque, In-Lb	-	-	-	-	-	-	3492	3494	3492	4676	4679	4676	9111	9655	9801	11912	12718	12883
	OHL Input Shaft	-	-	-	-	-	-	(A) 713	742	(A) 843	877	(A) 843	877	(A) 952	993	(A) 1414	1575	1575	
OHL Output Shaft (B)	-	-	-	-	-	-	(A) 5586	5586	(A) 5586	5586	(A) 5586	5586	(A) 5586	5586	(A) 5586	5586	(A) 5586	5586	
10.97	Output RPM	-	-	-	-	-	-	314	160	106	314	160	106	314	160	106	314	160	106
	Input HP (Max) (C)	-	-	-	-	-	-	20.42	10.36	6.87	27.34	13.88	9.19	50.56	27.18	18.29	60.13	32.56	21.86
	Output Torque, In-Lb	-	-	-	-	-	-	4092	4094	4092	5479	5482	5479	10133	10737	10903	12050	12862	13027
	OHL Input Shaft	-	-	-	-	-	-	(A) 713	742	(A) 843	877	(A) 843	877	(A) 952	994	(A) 1435	1586	1586	
OHL Output Shaft (B)	-	-	-	-	-	-	(A) 5586	5586	(A) 5586	5586	(A) 5586	5586	(A) 5586	5586	(A) 5586	5586	(A) 5586	5586	
12.90	Output RPM	268	136	90	268	136	90	268	136	90	268	136	90	268	136	90	268	136	90
	Input HP (Max) (C)	3.64	2.46	1.63	9.86	5.01	3.32	20.42	10.36	6.87	27.34	13.87	9.19	47.55	25.56	17.21	51.74	28.01	18.81
	Output Torque, In-Lb	857	1142	1141	2324	2325	2324	4810	4813	4810	6441	6444	6441	11203	11871	12056	12188	13010	13180
	OHL Input Shaft	(A) 346	360	(A) 453	471	(A) 711	741	(A) 841	876	(A) 841	876	(A) 841	876	(A) 950	993	(A) 1452	1591	1591	
OHL Output Shaft (B)	(A) 5586	5586	(A) 5586	5586	(A) 5586	5586	(A) 5586	5586	(A) 5586	5586	(A) 5586	5586	(A) 5586	5586	(A) 5586	5586	(A) 5586	5586	
13.74	Output RPM	-	-	-	-	-	-	-	-	-	251	127	84	251	127	84	251	127	84
	Input HP (Max) (C)	-	-	-	-	-	-	-	-	-	27.34	13.88	9.19	56.19	30.20	20.32	70.38	42.72	30.14
	Output Torque, In-Lb	-	-	-	-	-	-	-	-	-	6861	6865	6861	14101	14939	15166	17662	21134	22493
	OHL Input Shaft	-	-	-	-	-	-	-	-	-	(A) 838	872	(A) 838	872	(A) 946	993	(A) 1408	1574	1574
OHL Output Shaft (B)	-	-	-	-	-	-	-	-	-	(A) 5586	5586	(A) 5586	5586	(A) 5586	5586	(A) 5586	5586	5586	
16.75	Output RPM	-	-	-	-	-	-	206	104	69	206	104	69	206	104	69	206	104	69
	Input HP (Max) (C)	-	-	-	-	-	-	20.42	10.36	6.87	27.34	13.88	9.19	53.27	28.64	19.27	61.24	37.17	26.73
	Output Torque, In-Lb	-	-	-	-	-	-	6250	6253	6250	8368	8373	8368	16305	17279	17540	18744	22429	24330
	OHL Input Shaft	-	-	-	-	-	-	(A) 713	742	(A) 843	877	(A) 843	877	(A) 952	993	(A) 1418	1587	1587	
OHL Output Shaft (B)	-	-	-	-	-	-	5586	5586	5586	5586	5586	5586	5586	5586	5586	5586	5586	5586	5586
19.63	Output RPM	-	-	-	-	-	-	178	90	60	178	90	60	178	90	60	178	90	60
	Input HP (Max) (C)	-	-	-	-	-	-	20.42	10.51	6.87	27.34	14.07	9.19	50.56	27.55	18.29	54.82	33.74	23.06
	Output Torque, In-Lb	-	-	-	-	-	-	7323	7327	7323	9808	9811	9805	18134	19214	19511	19659	23527	24602
	OHL Input Shaft	-	-	-	-	-	-	(A) 713	742	(A) 843	877	(A) 843	877	(A) 952	994	(A) 1423	1579	1579	
OHL Output Shaft (B)	-	-	-	-	-	-	5586	5586	5586	5586	5586	5586	5586	5586	5586	5586	5586	5586	5586
23.08	Output RPM	149	76	50	149	76	50	149	76	50	149	76	50	149	76	50	149	76	50
	Input HP (Max) (C)	3.64	2.46	1.63	9.86	5.01	3.32	20.42	10.36	6.87	27.34	13.88	9.19	47.55	25.56	17.21	48.93	29.56	19.85
	Output Torque, In-Lb	1533	2044	2043	4158	4161	4158	8608	8613	8608	11526	11533	11526	20048	21244	21575	20629	24570	24886
	OHL Input Shaft	(A) 346	360	(A) 453	471	(A) 711	741	(A) 841	876	(A) 841	876	(A) 841	876	(A) 950	993	(A) 1428	1587	1587	
OHL Output Shaft (B)	5586	5586	5586	5586	5586	5586	5586	5586	5586	5586	5586	5586	5586	5586	5586	5586	5586	5586	5586
26.48	Output RPM	130	66	44	130	66	44	130	66	44	130	66	44	130	66	44	130	66	44
	Input HP (Max) (C)	3.50	2.46	1.63	9.86	5.01	3.32	20.42	10.36	6.87	27.34	13.88	9.19	44.46	24.08	16.22	44.46	26.02	17.47
	Output Torque, In-Lb	1694	2345	2344	4771	4774	4771	9877	9882	9877	13225	13232	13224	21504	22967	23331	21504	24813	25130
	OHL Input Shaft	(A) 346	360	(A) 454	473	(A) 709	738	(A) 838	874	(A) 838	874	(A) 838	874	(A) 948	993	(A) 1443	1591	1591	
OHL Output Shaft (B)	5586	5586	5586	5586	5586	5586	5586	5586	5586	5586	5586	5586	5586	5586	5586	5586	5586	5586	5586

(A) (B) (C) - See Footnote page on inside back cover
Blank areas (-) indicate configuration not available

NOMENCLATURE PAGE RHB-5	STOCK/NON-STOCK PART NUMBERS PAGE RHB-50	DIMENSIONS PAGE RHB-218	THERMAL RATINGS PAGE RHB-364
----------------------------	---	----------------------------	---------------------------------

RIGHT ANGLE HELICAL BEVEL REDUCER (RHB)
Service Factor 1.0 / Clamp Collar / 3 Pc Coupled / Separate Triple Reduction

SIZE: B_1083
60 HZ

NEMA MOTOR FRAME IEC MOTOR FRAME SEPARATE GROUP		--- 80D 80			140TC 90D 90			180TC 100D 100			--- 112D 112			210TC 132D 132			250TC 160D 160		
RATIO	OUTPUT RATING DATA	3450	1750	1160	3450	1750	1160	3450	1750	1160	3450	1750	1160	3450	1750	1160	3450	1750	1160
31.25	Output RPM	110	56	37	110	56	37	110	56	37	110	56	37	110	56	37	110	56	37
	Input HP (Max) (C)	3.32	2.46	1.63	9.86	5.01	3.32	20.42	10.36	6.87	27.34	13.88	9.19	39.58	22.30	14.98	39.58	22.31	14.98
	Output Torque, In-Lb	1894	2768	2766	5631	5634	5631	11657	11664	11657	15608	15617	15608	22599	25101	25427	22599	25105	25427
	OHL Input Shaft	(A)	346	360	(A)	456	470	(A)	710	740	(A)	839	873	(A)	946	992	(A)	1457	1593
	OHL Output Shaft (B)	5586	5586	5586	5586	5586	5586	5586	5586	5586	5586	5586	5586	5586	5586	5586	5586	5586	5586
33.87	Output RPM	102	52	34	102	52	34	102	52	34	102	52	34	102	52	34	102	52	34
	Input HP (Max) (C)	3.22	2.46	1.63	9.86	5.01	3.32	20.42	10.36	6.87	27.34	13.88	9.19	37.41	20.70	13.90	37.41	20.70	13.90
	Output Torque, In-Lb	1993	3000	2998	6103	6107	6103	12635	12642	12635	16918	16928	16918	23150	25248	25574	23150	25248	25575
	OHL Input Shaft	(A)	346	360	(A)	456	474	(A)	707	739	(A)	757	873	(A)	948	992	(A)	1463	1595
	OHL Output Shaft (B)	5586	5586	5586	5586	5586	5586	5586	5586	5586	5586	5586	5586	5586	5586	5586	5586	5586	5586
36.44	Output RPM	-	-	-	-	-	-	-	-	-	95	48	32	95	48	32	95	48	32
	Input HP (Max) (C)	-	-	-	-	-	-	-	-	-	27.34	13.88	9.19	31.72	19.24	13.41	31.72	19.24	13.41
	Output Torque, In-Lb	-	-	-	-	-	-	-	-	-	18199	18209	18199	21116	25251	26553	21116	25251	26552
	OHL Input Shaft	-	-	-	-	-	-	-	-	-	(A)	838	872	(A)	953	990	(A)	1530	1591
	OHL Output Shaft (B)	-	-	-	-	-	-	-	-	-	5586	5586	5586	5586	5586	5586	5586	5586	5586
44.44	Output RPM	-	-	-	-	-	-	78	39	26	78	39	26	78	39	26	78	39	26
	Input HP (Max) (C)	-	-	-	-	-	-	20.42	10.36	6.87	27.34	13.88	9.19	27.61	16.60	11.00	27.61	16.60	11.00
	Output Torque, In-Lb	-	-	-	-	-	-	16578	16587	16578	22197	22210	22197	22416	26568	26553	22416	26568	26553
	OHL Input Shaft	-	-	-	-	-	-	(A)	713	742	(A)	843	877	(A)	950	989	(A)	1531	1595
	OHL Output Shaft (B)	-	-	-	-	-	-	(A)	5586	5586	5586	5586	5586	5586	5586	5586	5586	5586	5586
52.08	Output RPM	-	-	-	-	-	-	66	34	22	66	34	22	66	34	22	66	34	22
	Input HP (Max) (C)	-	-	-	-	-	-	20.42	10.36	6.87	24.71	13.88	9.19	24.71	14.17	9.38	24.71	14.17	9.38
	Output Torque, In-Lb	-	-	-	-	-	-	19425	19436	19425	23507	26024	26010	23507	26568	26553	23507	26568	26553
	OHL Input Shaft	-	-	-	-	-	-	(A)	713	742	(A)	843	877	(A)	954	993	(A)	1533	1596
	OHL Output Shaft (B)	-	-	-	-	-	-	5586	5586	5586	5586	5586	5586	5586	5586	5586	5586	5586	5586
61.22	Output RPM	56	29	19	56	29	19	56	29	19	56	29	19	56	29	19	56	29	19
	Input HP (Max) (C)	3.64	2.46	1.63	9.86	5.01	3.32	20.42	10.36	6.87	22.06	12.05	7.98	20.04	12.05	7.98	22.06	12.05	7.98
	Output Torque, In-Lb	4067	5421	5418	11030	11036	11030	22834	22847	22834	24675	26568	26553	24674	26568	26553	24675	26568	26553
	OHL Input Shaft	(A)	346	360	(A)	453	471	(A)	711	741	(A)	843	878	(A)	956	995	(A)	1534	1596
	OHL Output Shaft (B)	5586	5586	5586	5586	5586	5586	5586	5586	5586	5586	5586	5586	5586	5586	5586	5586	5586	5586
70.24	Output RPM	49	25	17	49	25	17	49	25	17	49	25	17	49	25	17	49	25	17
	Input HP (Max) (C)	3.50	2.46	1.63	9.86	5.01	3.32	20.04	10.36	6.87	20.04	10.50	6.96	17.53	10.50	6.96	20.04	10.50	6.96
	Output Torque, In-Lb	4493	6220	6217	12655	12662	12655	25711	26213	26199	25711	26568	26553	25710	26568	26553	25711	26568	26553
	OHL Input Shaft	(A)	346	360	(A)	454	473	(A)	709	738	(A)	836	871	(A)	957	997	(A)	1534	1597
	OHL Output Shaft (B)	5586	5586	5586	5586	5586	5586	5586	5586	5586	5586	5586	5586	5586	5586	5586	5586	5586	5586
82.90	Output RPM	42	21	14	42	21	14	42	21	14	42	21	14	42	21	14	42	21	14
	Input HP (Max) (C)	3.32	2.46	1.63	9.86	5.01	3.32	17.53	8.90	5.90	17.53	8.90	5.90	16.18	8.90	5.90	17.53	8.90	5.90
	Output Torque, In-Lb	5024	7341	7337	14936	14945	14936	26553	26568	26553	26553	26568	26553	26552	26568	26553	26553	26568	26553
	OHL Input Shaft	(A)	346	360	(A)	456	470	(A)	711	741	(A)	840	870	(A)	958	997	(A)	1534	1597
	OHL Output Shaft (B)	5586	5586	5586	5586	5586	5586	5586	5586	5586	5586	5586	5586	5586	5586	5586	5586	5586	5586
89.85	Output RPM	38	19	13	38	19	13	38	19	13	38	19	13	38	19	13	38	19	13
	Input HP (Max) (C)	3.22	2.46	1.63	9.86	5.01	3.32	16.18	8.21	5.44	16.18	8.21	5.44	14.55	8.21	5.44	16.18	8.21	5.44
	Output Torque, In-Lb	5286	7957	7953	16190	16199	16190	26553	26568	26553	26553	26568	26553	26553	26568	26553	26553	26568	26553
	OHL Input Shaft	(A)	346	360	(A)	456	474	(A)	712	742	(A)	837	872	(A)	958	997	(A)	1534	1597
	OHL Output Shaft (B)	5586	5586	5586	5586	5586	5586	5586	5586	5586	5586	5586	5586	5586	5586	5586	5586	5586	5586

(A) (B) (C) - See Footnote page on inside back cover
 Blank areas (-) indicate configuration not available

NOMENCLATURE PAGE RHB-5	STOCK/NON-STOCK PART NUMBERS PAGE RHB-50	DIMENSIONS PAGE RHB-218	THERMAL RATINGS PAGE RHB-364
----------------------------	---	----------------------------	---------------------------------

RIGHT ANGLE HELICAL BEVEL REDUCER (RHB)

SIZE: B_1083
60 HZ

Service Factor 1.0 / Clamp Collar / 3 Pc Coupled / Separate Triple Reduction

NEMA MOTOR FRAME IEC MOTOR FRAME SEPARATE GROUP		--- 80D 80			140TC 90D 90			180TC 100D 100			--- 112D 112			210TC 132D 132			250TC 160D 160			
RATIO	OUTPUT RATING DATA	3450	1750	1160	3450	1750	1160	3450	1750	1160	3450	1750	1160	3450	1750	1160	3450	1750	1160	
99.90	Output RPM	35	18	12	35	18	12	35	18	12	35	18	12	35	18	12	35	18	12	
	Input HP (Max) (C)	3.08	2.46	1.63	9.86	5.01	3.32	14.55	7.38	4.89	14.55	7.38	4.89	13.39	7.38	4.89	14.55	7.38	4.89	
	Output Torque, In-Lb	5629	8847	8842	18000	18011	18000	26553	26568	26553	26553	26568	26553	26553	26568	26553	26553	26568	26553	26553
	OHL Input Shaft OHL Output Shaft (B)	(A) 5586 5586	(A) 346 5586	360 5586	(A) 456 5586	474 5586	(A) 5586 5586	(A) 713 5586	742 5586	(A) 5586 5586	(A) 5586 5586	(A) 840 5586	874 5586	(A) 5586 5586	(A) 959 5586	998 5586	(A) 5586 5586	(A) 1534 5586	(A) 1534 5586	1597 5586
108.52	Output RPM	32	16	11	32	16	11	32	16	11	32	16	11	32	16	11	32	16	11	
	Input HP (Max) (C)	2.97	2.46	1.63	9.86	5.01	3.32	13.39	6.80	4.50	13.39	6.80	4.50	12.11	6.80	4.50	13.39	6.80	4.50	
	Output Torque, In-Lb	5896	9610	9605	19553	19564	19552	26553	26568	26553	26553	26568	26553	26553	26568	26553	26553	26568	26553	26553
	OHL Input Shaft OHL Output Shaft (B)	(A) 5586 5586	(A) 346 5586	360 5586	(A) 455 5586	475 5586	(A) 5586 5586	(A) 714 5586	743 5586	(A) 5586 5586	(A) 5586 5586	(A) 841 5586	875 5586	(A) 5586 5586	(A) 959 5586	998 5586	(A) 5586 5586	(A) 1534 5586	(A) 1534 5586	1597 5586
120.03	Output RPM	29	15	10	29	15	10	29	15	10	29	15	10	29	15	10	29	15	10	
	Input HP (Max) (C)	2.83	2.46	1.63	9.86	5.01	3.32	12.11	6.15	4.07	12.11	6.15	4.07	11.29	6.15	4.07	12.11	6.15	4.07	
	Output Torque, In-Lb	6216	10630	10624	21628	21640	21627	26553	26568	26553	26553	26568	26553	26553	26568	26553	26553	26568	26553	26553
	OHL Input Shaft OHL Output Shaft (B)	(A) 5586 5586	(A) 346 5586	360 5586	(A) 454 5586	475 5586	(A) 5586 5586	(A) 714 5586	743 5586	(A) 5586 5586	(A) 5586 5586	(A) 842 5586	877 5586	(A) 5586 5586	(A) 959 5586	998 5586	(A) 5586 5586	(A) 1534 5586	(A) 1534 5586	1597 5586
128.86	Output RPM	27	14	9	27	14	9	27	14	9	27	14	9	27	14	9	27	14	9	
	Input HP (Max) (C)	2.73	2.46	1.63	9.63	5.01	3.32	11.28	5.72	3.79	11.28	5.72	3.79	10.47	5.72	3.79	11.28	5.72	3.79	
	Output Torque, In-Lb	6438	11412	11406	22676	23232	23218	26553	26568	26553	26553	26568	26553	26553	26568	26553	26553	26568	26553	26553
	OHL Input Shaft OHL Output Shaft (B)	(A) 5586 5586	(A) 346 5586	360 5586	(A) 453 5586	475 5586	(A) 5586 5586	(A) 714 5586	736 5586	(A) 5586 5586	(A) 5586 5586	(A) 843 5586	877 5586	(A) 5586 5586	(A) 946 5586	998 5586	(A) 5586 5586	(A) 1534 5586	(A) 1534 5586	1597 5586
138.87	Output RPM	25	13	8	25	13	8	25	13	8	25	13	8	25	13	8	-	-	-	
	Input HP (Max) (C)	2.63	2.46	1.63	9.26	4.84	3.32	10.47	5.31	3.52	10.47	5.31	3.52	9.67	5.31	3.52	-	-	-	
	Output Torque, In-Lb	6668	12298	12291	23489	24183	25021	26553	26568	26553	26553	26568	26553	26553	26568	26556	-	-	-	
	OHL Input Shaft OHL Output Shaft (B)	(A) 5586 5586	(A) 346 5586	360 5586	(A) 452 5586	474 5586	(A) 5586 5586	(A) 708 5586	738 5586	(A) 5586 5586	(A) 5586 5586	(A) 843 5586	878 5586	(A) 5586 5586	(A) 946 5586	998 5586	-	-	-	
150.31	Output RPM	23	12	8	23	12	8	23	12	8	23	12	8	23	12	8	-	-	-	
	Input HP (Max) (C)	2.52	2.46	1.63	8.87	4.63	3.20	9.67	4.91	3.25	9.67	4.91	3.25	8.89	4.91	3.25	-	-	-	
	Output Torque, In-Lb	6907	13311	13304	24350	25073	26122	26553	26568	26553	26553	26568	26553	26553	26568	26553	-	-	-	
	OHL Input Shaft OHL Output Shaft (B)	(A) 5586 5586	(A) 345 5586	359 5586	(A) 452 5586	474 5586	(A) 5586 5586	(A) 709 5586	736 5586	(A) 5586 5586	(A) 5586 5586	(A) 843 5586	878 5586	(A) 5586 5586	(A) 946 5586	998 5586	-	-	-	
163.51	Output RPM	21	11	7	21	11	7	21	11	7	21	11	7	21	11	7	-	-	-	
	Input HP (Max) (C)	2.40	2.46	1.63	8.46	4.42	2.99	8.89	4.51	2.99	8.89	4.51	2.99	8.12	4.51	2.99	-	-	-	
	Output Torque, In-Lb	7159	14480	14472	25277	26033	26552	26553	26568	26553	26553	26568	26553	26553	26568	26553	-	-	-	
	OHL Input Shaft OHL Output Shaft (B)	(A) 5586 5586	(A) 345 5586	359 5586	(A) 454 5586	474 5586	(A) 5586 5586	(A) 709 5586	738 5586	(A) 5586 5586	(A) 5586 5586	(A) 844 5586	878 5586	(A) 5586 5586	(A) 946 5586	998 5586	-	-	-	
178.90	Output RPM	19	10	6	19	10	6	19	10	6	19	10	6	-	-	-	-	-	-	
	Input HP (Max) (C)	2.27	2.46	1.63	8.05	4.12	2.73	8.12	4.12	2.73	8.12	4.12	2.73	-	-	-	-	-	-	
	Output Torque, In-Lb	7425	15844	15834	26296	26568	26552	26553	26568	26553	26553	26568	26553	-	-	-	-	-	-	
	OHL Input Shaft OHL Output Shaft (B)	(A) 5586 5586	(A) 345 5586	359 5586	(A) 452 5586	474 5586	(A) 5586 5586	(A) 710 5586	739 5586	(A) 5586 5586	(A) 5586 5586	(A) 844 5586	879 5586	-	-	-	-	-	-	
201.11	Output RPM	17	9	6	17	9	6	17	9	6	17	9	6	-	-	-	-	-	-	
	Input HP (Max) (C)	2.12	2.46	1.63	7.23	3.67	2.43	7.23	3.67	2.43	7.23	3.67	2.43	-	-	-	-	-	-	
	Output Torque, In-Lb	7773	17810	17800	26553	26568	26552	26553	26568	26553	26553	26568	26553	-	-	-	-	-	-	
	OHL Input Shaft OHL Output Shaft (B)	(A) 5586 5586	(A) 344 5586	359 5586	(A) 454 5586	474 5586	(A) 5586 5586	(A) 711 5586	740 5586	(A) 5586 5586	(A) 5586 5586	(A) 879 5586	-	-	-	-	-	-	-	

(A) (B) (C) - See Footnote page on inside back cover
Blank areas (-) indicate configuration not available

NOMENCLATURE PAGE RHB-5	STOCK/NON-STOCK PART NUMBERS PAGE RHB-50	DIMENSIONS PAGE RHB-218	THERMAL RATINGS PAGE RHB-364
----------------------------	---	----------------------------	---------------------------------

SELECTION



RIGHT ANGLE HELICAL BEVEL REDUCER (RHB)

SIZE: B_1083

Service Factor 1.0 / Clamp Collar / 3 Pc Coupled / Separate

60 HZ

Triple Reduction

NEMA MOTOR FRAME IEC MOTOR FRAME SEPARATE GROUP		---			140TC			180TC			---			210TC			250TC		
		80D 80			90D 90			100D 100			112D 112			132D 132			160D 160		
RATIO	OUTPUT RATING DATA	3450	1750	1160	3450	1750	1160	3450	1750	1160	3450	1750	1160	3450	1750	1160	3450	1750	1160
219.64	Output RPM	16	8	5	16	8	5	16	8	5	16	8	5	-	-	-	-	-	-
	Input HP (Max) (C)	2.00	2.46	1.63	6.62	3.36	2.23	6.62	3.36	2.23	6.62	3.36	2.23	-	-	-	-	-	-
	Output Torque, In-Lb (A)	8042	19451	19440	26553	26568	26552	26553	26568	26553	26553	26568	26553	-	-	-	-	-	-
	OHL Input Shaft (B)	5586	5586	5586	5586	5586	5586	5586	5586	5586	5586	5586	5586	-	-	-	-	-	-
243.47	Output RPM	14	7	5	14	7	5	14	7	5	-	-	-	-	-	-	-	-	-
	Input HP (Max) (C)	1.88	2.37	1.55	5.97	3.03	2.01	5.97	3.03	2.01	-	-	-	-	-	-	-	-	-
	Output Torque, In-Lb (A)	8373	20802	20562	26553	26568	26553	26553	26553	26553	-	-	-	-	-	-	-	-	-
	OHL Output Shaft (B)	5586	5586	5586	5586	5586	5586	5586	5586	5586	-	-	-	-	-	-	-	-	-
278.10	Output RPM	12	6	4	12	6	4	-	-	-	-	-	-	-	-	-	-	-	-
	Input HP (Max) (C)	1.72	2.17	1.42	5.23	2.65	1.76	-	-	-	-	-	-	-	-	-	-	-	-
	Output Torque, In-Lb (A)	8761	21764	21461	26553	26568	26553	-	-	-	-	-	-	-	-	-	-	-	-
	OHL Output Shaft (B)	5586	5586	5586	5586	5586	5586	-	-	-	-	-	-	-	-	-	-	-	-
307.24	Output RPM	11	6	4	11	6	4	-	-	-	-	-	-	-	-	-	-	-	-
	Input HP (Max) (C)	1.61	2.03	1.32	4.73	2.40	1.59	-	-	-	-	-	-	-	-	-	-	-	-
	Output Torque, In-Lb (A)	9029	22430	22082	22970	26568	25389	-	-	-	-	-	-	-	-	-	-	-	-
	OHL Output Shaft (B)	5586	5586	5586	5586	5586	5586	-	-	-	-	-	-	-	-	-	-	-	-

(A) (B) (C) - See Footnote page on inside back cover
Blank areas (-) indicate configuration not available

NOMENCLATURE PAGE RHB-5	STOCK/NON-STOCK PART NUMBERS PAGE RHB-50	DIMENSIONS PAGE RHB-218	THERMAL RATINGS PAGE RHB-364
----------------------------	---	----------------------------	---------------------------------

QUANTIS

QUANTIS GOLD

ILH

RHB

MSM

SELECTION



RIGHT ANGLE HELICAL BEVEL REDUCER (RHB)

SIZE: B_1283
60 HZ

Service Factor 1.0 / Clamp Collar / 3 Pc Coupled / Separate Triple Reduction

NEMA MOTOR FRAME IEC MOTOR FRAME SEPARATE GROUP		140TC 90D 90			180TC 100D 100			--- 112D 112			210TC 132D 132			250TC 160D 160			280TC 180D/200D 180		
RATIO	OUTPUT RATING DATA	3450	1750	1160	3450	1750	1160	3450	1750	1160	3450	1750	1160	3450	1750	1160	3450	1750	1160
7.10	Output RPM	-	-	-	-	-	-	-	-	-	486	246	163	486	246	163	486	246	163
	Input HP (Max) (C)	-	-	-	-	-	-	-	-	-	64.54	32.76	21.70	89.63	45.49	30.14	140.63	92.65	61.38
	Output Torque, In-Lb	-	-	-	-	-	-	-	-	-	8374	8378	8373	11629	11635	11628	18245	23697	23683
	OHL Input Shaft OHL Output Shaft (B)	-	-	-	-	-	-	-	-	-	(A) (A)	949 6907	989 6907	(A) (A)	1473 6907	1586 6907	(A) (A)	1534 6907	1955 6907
8.26	Output RPM	-	-	-	-	-	-	-	-	-	418	212	140	418	212	140	418	212	140
	Input HP (Max) (C)	-	-	-	-	-	-	-	-	-	64.54	32.76	21.70	89.64	45.49	30.14	127.06	85.54	57.44
	Output Torque, In-Lb	-	-	-	-	-	-	-	-	-	9742	9748	9742	13529	13537	13529	19179	25452	25785
	OHL Input Shaft OHL Output Shaft (B)	-	-	-	-	-	-	-	-	-	(A) (A)	948 6907	989 6907	(A) (A)	1439 6907	1586 6907	(A) (A)	1551 6907	1911 6907
9.16	Output RPM	-	-	-	-	-	-	377	191	127	377	191	127	377	191	127	377	191	127
	Input HP (Max) (C)	-	-	-	-	-	-	27.34	13.87	9.19	64.54	32.76	21.70	89.63	45.49	30.14	118.56	78.21	52.51
	Output Torque, In-Lb	-	-	-	-	-	-	4574	4576	4574	10798	10804	10797	14995	15003	14995	19835	25796	26125
	OHL Input Shaft OHL Output Shaft (B)	-	-	-	-	-	-	(A) (A)	838 6907	873 6907	(A) (A)	943 6907	990 6907	(A) (A)	1413 6907	1585 6907	(A) (A)	1551 6907	1889 6907
10.88	Output RPM	-	-	-	317	161	107	317	161	107	317	161	107	317	161	107	317	161	107
	Input HP (Max) (C)	-	-	-	20.42	10.42	6.87	27.34	13.95	9.19	64.38	32.94	21.70	84.99	45.75	30.14	105.49	67.60	45.14
	Output Torque, In-Lb	-	-	-	4059	4061	4059	5435	5438	5435	12798	12838	12830	16896	17829	17818	20970	26345	26690
	OHL Input Shaft OHL Output Shaft (B)	-	-	-	(A) (A)	713 6907	742 6907	(A) (A)	843 6907	869 6907	(A) (A)	949 6907	988 6907	(A) (A)	1360 6907	1583 6907	(A) (A)	1579 6907	1924 6907
12.56	Output RPM	-	-	-	275	139	92	275	139	92	275	139	92	275	139	92	275	139	92
	Input HP (Max) (C)	-	-	-	20.42	10.36	6.87	27.34	13.88	9.19	62.19	32.76	21.70	79.92	43.57	28.97	95.70	59.21	39.75
	Output Torque, In-Lb	-	-	-	4685	4687	4685	6273	6276	6273	14267	14816	14808	18336	19709	19765	21956	26782	27126
	OHL Input Shaft OHL Output Shaft (B)	-	-	-	(A) (A)	713 6907	742 6907	(A) (A)	843 6907	877 6907	(A) (A)	951 6907	985 6907	(A) (A)	1332 6907	1582 6907	(A) (A)	1602 6907	1949 6907
13.00	Output RPM	-	-	-	-	-	-	-	-	-	265	135	89	265	135	89	265	135	89
	Input HP (Max) (C)	-	-	-	-	-	-	-	-	-	64.54	32.76	21.70	89.63	45.49	30.14	125.35	75.26	55.79
	Output Torque, In-Lb	-	-	-	-	-	-	-	-	-	15329	15338	15329	21289	21301	21288	29772	35237	39410
	OHL Input Shaft OHL Output Shaft (B)	-	-	-	-	-	-	-	-	-	(A) (A)	949 6907	989 6907	(A) (A)	1473 6907	1586 6907	(A) (A)	1700 6907	1969 6907
15.13	Output RPM	-	-	-	-	-	-	-	-	-	228	116	77	228	116	77	228	116	77
	Input HP (Max) (C)	-	-	-	-	-	-	-	-	-	64.54	32.76	21.70	89.63	45.49	30.14	112.74	67.69	48.49
	Output Torque, In-Lb	-	-	-	-	-	-	-	-	-	17835	17845	17834	24768	24782	24767	31153	36876	39847
	OHL Input Shaft OHL Output Shaft (B)	-	-	-	-	-	-	-	-	-	(A) (A)	948 6907	989 6907	(A) (A)	1439 6907	1586 6907	(A) (A)	1712 6907	2008 6907
16.76	Output RPM	-	-	-	-	-	-	206	104	69	206	104	69	206	104	69	206	104	69
	Input HP (Max) (C)	-	-	-	-	-	-	27.34	13.85	9.19	64.54	32.76	21.70	89.63	45.49	30.14	104.92	62.99	44.07
	Output Torque, In-Lb	-	-	-	-	-	-	8373	8360	8373	19767	19778	19766	27451	27467	27450	32134	38032	40141
	OHL Input Shaft OHL Output Shaft (B)	-	-	-	-	-	-	(A) (A)	838 6907	873 6907	(A) (A)	943 6907	990 6907	(A) (A)	1413 6907	1585 6907	(A) (A)	1717 6907	2033 6907
19.92	Output RPM	-	-	-	173	88	58	173	88	58	173	88	58	173	88	58	173	88	58
	Input HP (Max) (C)	-	-	-	20.42	10.36	6.87	27.34	13.88	9.19	64.38	32.76	21.70	84.99	45.49	30.14	92.98	55.82	37.56
	Output Torque, In-Lb	-	-	-	7431	7435	7431	9950	9956	9950	23429	23503	23489	30931	32639	32620	33838	40048	40654
	OHL Input Shaft OHL Output Shaft (B)	-	-	-	(A) (A)	713 6907	742 6907	(A) (A)	843 6907	869 6907	(A) (A)	949 6907	988 6907	(A) (A)	1360 6907	1583 6907	(A) (A)	1723 6907	2070 6907

(A) (B) (C) - See Footnote page on inside back cover
Blank areas (-) indicate configuration not available

NOMENCLATURE PAGE RHB-5	STOCK/NON-STOCK PART NUMBERS PAGE RHB-50	DIMENSIONS PAGE RHB-250	THERMAL RATINGS PAGE RHB-364
----------------------------	---	----------------------------	---------------------------------

RIGHT ANGLE HELICAL BEVEL REDUCER (RHB)

Service Factor 1.0 / Clamp Collar / 3 Pc Coupled / Separate Triple Reduction

SIZE: B_1283
60 HZ

NEMA MOTOR FRAME IEC MOTOR FRAME SEPARATE GROUP		140TC 90D 90			180TC 100D 100			--- 112D 112			210TC 132D 132			250TC 160D 160			280TC 180D/200D 180		
RATIO	OUTPUT RATING DATA	3450	1750	1160	3450	1750	1160	3450	1750	1160	3450	1750	1160	3450	1750	1160	3450	1750	1160
22.92	Output RPM	-	-	-	151	76	51	151	76	51	151	76	51	151	76	51	151	76	51
	Input HP (Max) (C)	-	-	-	20.42	10.39	6.87	27.34	13.92	9.19	62.19	32.86	21.70	79.92	43.71	28.97	84.10	49.11	32.88
	Output Torque, In-Lb	-	-	-	8576	8581	8576	11483	11490	11483	26119	27124	27108	33568	36082	36184	35324	40539	41076
	OHL Input Shaft OHL Output Shaft (B)	- -	- -	- -	(A) 6907	713 6907	742 6907	(A) 6907	843 6907	877 6907	(A) 6907	951 6907	985 6907	(A) 6907	1332 6907	1582 6907	(A) 6907	1745 6907	2094 6907
27.02	Output RPM	128	65	43	128	65	43	128	65	43	128	65	43	128	65	43	128	65	43
	Input HP (Max) (C)	9.86	5.01	3.32	20.42	10.36	6.87	27.34	13.88	9.19	59.33	31.87	21.45	74.14	40.43	26.87	75.14	42.16	28.32
	Output Torque, In-Lb	4868	4870	4868	10077	10083	10077	13493	13500	13493	29280	31010	31485	36590	39336	39443	37081	41016	41564
	OHL Input Shaft OHL Output Shaft (B)	(A) 6907	453 6907	471 6907	(A) 6907	711 6907	740 6907	(A) 6907	842 6907	877 6907	(A) 6907	951 6907	991 6907	(A) 6907	1266 6907	1581 6907	(A) 6907	1768 6907	2166 6907
30.61	Output RPM	113	57	38	113	57	38	113	57	38	113	57	38	113	57	38	113	57	38
	Input HP (Max) (C)	9.86	5.01	3.32	20.42	10.36	6.87	27.34	13.88	9.19	56.88	30.56	20.57	68.84	37.54	25.01	68.84	37.54	25.01
	Output Torque, In-Lb	5516	5519	5516	11419	11426	11419	15290	15299	15290	31813	33693	34214	38498	41391	41599	38498	41391	41600
	OHL Input Shaft OHL Output Shaft (B)	(A) 6907	454 6907	473 6907	(A) 6907	708 6907	738 6907	(A) 6907	839 6907	875 6907	(A) 6907	935 6907	989 6907	(A) 6907	1255 6907	1580 6907	(A) 6907	1782 6907	2136 6907
35.92	Output RPM	96	49	32	96	49	32	96	49	32	96	49	32	96	49	32	96	49	32
	Input HP (Max) (C)	9.86	5.01	3.32	20.42	10.36	6.87	27.34	13.88	9.19	51.24	28.80	19.38	59.69	32.17	21.31	59.69	32.17	21.31
	Output Torque, In-Lb	6473	6477	6473	13400	13408	13400	17942	17953	17942	33626	37263	37825	39173	41623	41599	39173	41623	41600
	OHL Input Shaft OHL Output Shaft (B)	(A) 6907	456 6907	470 6907	(A) 6907	709 6907	739 6907	(A) 6907	840 6907	874 6907	(A) 6907	946 6907	986 6907	(A) 6907	1271 6907	1587 6907	(A) 6907	1802 6907	2159 6907
39.19	Output RPM	88	45	30	88	45	30	88	45	30	88	45	30	88	45	30	88	45	30
	Input HP (Max) (C)	9.86	5.01	3.32	20.42	10.36	6.87	27.18	13.88	9.19	47.70	27.84	18.74	54.34	29.47	19.54	54.34	29.47	19.54
	Output Torque, In-Lb	7061	7065	7061	14618	14627	14618	19457	19585	19573	34151	39300	39901	38904	41587	41599	38904	41587	41600
	OHL Input Shaft OHL Output Shaft (B)	(A) 6907	456 6907	474 6907	(A) 6907	712 6907	738 6907	(A) 6907	755 6907	874 6907	(A) 6907	946 6907	994 6907	(A) 6907	1298 6907	1585 6907	(A) 6907	1813 6907	2170 6907
41.38	Output RPM	-	-	-	-	-	-	-	-	-	83	42	28	83	42	28	83	42	28
	Input HP (Max) (C)	-	-	-	-	-	-	-	-	-	48.18	27.93	18.50	48.18	27.93	18.50	48.18	27.93	18.50
	Output Torque, In-Lb	-	-	-	-	-	-	-	-	-	36425	41600	36425	41623	41600	36425	41623	41600	
	OHL Input Shaft OHL Output Shaft (B)	- -	- -	- -	- -	- -	- -	- -	- -	- -	6907 6907	6907 6907	6907 6907	6907 6907	6907 6907	6907 6907	6907 6907	6907 6907	6907 6907
48.14	Output RPM	-	-	-	-	-	-	-	-	-	72	36	24	72	36	24	72	36	24
	Input HP (Max) (C)	-	-	-	-	-	-	-	-	-	43.34	24.01	15.90	43.34	24.01	15.90	43.43	24.01	15.90
	Output Torque, In-Lb	-	-	-	-	-	-	-	-	-	38118	41623	41600	38118	41623	41600	38118	41623	41600
	OHL Input Shaft OHL Output Shaft (B)	- -	- -	- -	- -	- -	- -	- -	- -	- -	(A) 6907	946 6907	986 6907	(A) 6907	1524 6907	1588 6907	(A) 6907	2174 6907	2502 6907
53.36	Output RPM	-	-	-	-	-	65	33	22	65	33	22	65	33	22	65	33	22	
	Input HP (Max) (C)	-	-	-	-	-	27.34	13.88	9.19	40.33	21.66	14.35	40.33	21.66	14.35	40.33	21.66	14.35	
	Output Torque, In-Lb	-	-	-	-	-	26650	26665	26650	39312	41623	41600	39312	41623	41600	39312	41623	41600	
	OHL Input Shaft OHL Output Shaft (B)	- -	- -	- -	- -	- -	6907 6907	6907 6907	6907 6907	6907 6907	(A) 6907	838 6907	873 6907	(A) 6907	950 6907	989 6907	(A) 6907	1527 6907	1590 6907
63.41	Output RPM	-	-	-	54	28	18	54	28	18	54	28	18	54	28	18	54	28	18
	Input HP (Max) (C)	-	-	-	20.42	10.36	6.87	27.34	13.88	9.19	35.11	18.23	12.08	35.11	18.23	12.08	35.11	18.23	12.08
	Output Torque, In-Lb	-	-	-	23651	23665	23651	31669	31686	31669	40669	41623	41600	40669	41623	41600	40669	41623	41600
	OHL Input Shaft OHL Output Shaft (B)	- -	- -	- -	(A) 6907	713 6907	742 6907	(A) 6907	843 6907	869 6907	(A) 6907	947 6907	987 6907	(A) 6907	1531 6907	1594 6907	(A) 6907	2198 6907	2503 6907

(A) (B) (C) - See Footnote page on inside back cover
Blank areas (-) indicate configuration not available

NOMENCLATURE PAGE RHB-5	STOCK/NON-STOCK PART NUMBERS PAGE RHB-50	DIMENSIONS PAGE RHB-250	THERMAL RATINGS PAGE RHB-364
----------------------------	---	----------------------------	---------------------------------

SELECTION



RIGHT ANGLE HELICAL BEVEL REDUCER (RHB)

SIZE: B_1283

Service Factor 1.0 / Clamp Collar / 3 Pc Coupled / Separate

60 HZ

Triple Reduction

NEMA MOTOR FRAME IEC MOTOR FRAME SEPARATE GROUP		140TC 90D 90			180TC 100D 100			--- 112D 112			210TC 132D 132			250TC 160D 160			280TC 180D/200D 180		
RATIO	OUTPUT RATING DATA	3450	1750	1160	3450	1750	1160	3450	1750	1160	3450	1750	1160	3450	1750	1160	3450	1750	1160
73.18	Output RPM	-	-	-	47	24	16	47	24	16	47	24	16	47	24	16	47	24	16
	Input HP (Max) (C)	-	-	-	20.42	10.36	6.87	27.34	13.88	9.19	30.75	15.79	10.46	30.75	15.79	10.46	30.75	15.79	10.46
	Output Torque, In-Lb	-	-	-	27296	27311	27296	36549	36569	36549	41104	41623	41600	41104	41623	41600	41104	41623	41600
	OHL Input Shaft	-	-	-	(A)	713	742	(A)	843	877	(A)	952	992	(A)	1532	1595	(A)	2209	2503
	OHL Output Shaft (B)	-	-	-	6907	6907	6907	6907	6907	6907	6907	6907	6907	6907	6907	6907	6907	6907	6907
85.98	Output RPM	40	20	13	40	20	13	40	20	13	40	20	13	40	20	13	40	20	13
	Input HP (Max) (C)	9.86	5.01	3.32	20.42	10.36	6.87	26.48	13.44	8.90	26.48	13.44	8.90	26.48	13.44	8.90	26.48	13.44	8.90
	Output Torque, In-Lb	15493	15501	15493	32073	32091	32073	41600	41623	41600	41600	41623	41600	41600	41623	41600	41600	41623	41600
	OHL Input Shaft	(A)	453	471	(A)	711	740	(A)	842	877	(A)	955	994	(A)	1533	1596	(A)	2220	2503
	OHL Output Shaft (B)	6907	6907	6907	6907	6907	6907	6907	6907	6907	6907	6907	6907	6907	6907	6907	6907	6907	6907
97.44	Output RPM	35	18	12	35	18	12	35	18	12	35	18	12	35	18	12	35	18	12
	Input HP (Max) (C)	9.86	5.01	3.32	20.42	10.36	6.87	23.37	11.86	7.86	23.37	11.86	7.86	23.37	11.86	7.86	23.37	11.86	7.86
	Output Torque, In-Lb	17556	17566	17556	36345	36365	36345	41600	41623	41600	41600	41623	41600	41600	41623	41600	41600	41623	41600
	OHL Input Shaft	(A)	454	473	(A)	708	738	(A)	843	878	(A)	956	996	(A)	1534	1596	(A)	2227	2503
	OHL Output Shaft (B)	6907	6907	6907	6907	6907	6907	6907	6907	6907	6907	6907	6907	6907	6907	6907	6907	6907	6907
114.34	Output RPM	30	15	10	30	15	10	30	15	10	30	15	10	30	15	10	30	15	10
	Input HP (Max) (C)	9.86	5.01	3.32	19.92	10.11	6.70	19.92	10.11	6.70	19.92	10.11	6.70	19.92	10.11	6.70	19.92	10.11	6.70
	Output Torque, In-Lb	20602	20614	20602	41600	41623	41600	41600	41623	41600	41600	41623	41600	41600	41623	41600	41600	41623	41600
	OHL Input Shaft	(A)	456	470	(A)	710	740	(A)	844	878	(A)	958	997	(A)	1534	1597	(A)	2234	2480
	OHL Output Shaft (B)	6907	6907	6907	6907	6907	6907	6907	6907	6907	6907	6907	6907	6907	6907	6907	6907	6907	6907
124.74	Output RPM	28	14	9	28	14	9	28	14	9	28	14	9	28	14	9	28	14	9
	Input HP (Max) (C)	9.86	5.01	3.32	18.26	9.27	6.14	18.26	9.27	6.14	18.26	9.27	6.14	18.26	9.27	6.14	18.26	9.27	6.14
	Output Torque, In-Lb	22475	22488	22475	41600	41623	41600	41600	41623	41600	41600	41623	41600	41600	41623	41600	41600	41623	41600
	OHL Input Shaft	(A)	456	474	(A)	706	736	(A)	836	871	(A)	958	997	(A)	1534	1597	(A)	2238	2481
	OHL Output Shaft (B)	6907	6907	6907	6907	6907	6907	6907	6907	6907	6907	6907	6907	6907	6907	6907	6907	6907	6907
136.07	Output RPM	25	13	9	25	13	9	25	13	9	25	13	9	25	13	9	25	13	9
	Input HP (Max) (C)	9.86	5.01	3.32	16.74	8.49	5.63	16.74	8.49	5.63	16.74	8.49	5.63	16.74	8.49	5.63	16.74	8.49	5.63
	Output Torque, In-Lb	24516	24530	24516	41600	41623	41600	41600	41623	41600	41600	41623	41600	41600	41623	41600	41600	41623	41600
	OHL Input Shaft	(A)	456	475	(A)	708	738	(A)	838	873	(A)	958	997	(A)	1534	1597	(A)	2241	2485
	OHL Output Shaft (B)	6907	6907	6907	6907	6907	6907	6907	6907	6907	6907	6907	6907	6907	6907	6907	6907	6907	6907
146.84	Output RPM	23	12	8	23	12	8	23	12	8	23	12	8	23	12	8	23	12	8
	Input HP (Max) (C)	9.86	5.01	3.32	15.51	7.87	5.21	15.51	7.87	5.21	15.51	7.87	5.21	15.51	7.87	5.21	15.51	7.87	5.21
	Output Torque, In-Lb	26457	26472	26456	41600	41623	41600	41600	41623	41600	41600	41623	41600	41600	41623	41600	41600	41623	41600
	OHL Input Shaft	(A)	455	475	(A)	710	740	(A)	839	871	(A)	958	998	(A)	1534	1597	(A)	2240	2489
	OHL Output Shaft (B)	6907	6907	6907	6907	6907	6907	6907	6907	6907	6907	6907	6907	6907	6907	6907	6907	6907	6907
164.11	Output RPM	21	11	7	21	11	7	21	11	7	21	11	7	21	11	7	-	-	-
	Input HP (Max) (C)	9.86	5.01	3.32	13.88	7.04	4.67	13.88	7.04	4.67	13.88	7.04	4.67	13.88	7.04	4.67	-	-	-
	Output Torque, In-Lb	29570	29587	29569	41600	41623	41600	41600	41623	41600	41600	41623	41600	41600	41623	41600	-	-	-
	OHL Input Shaft	(A)	454	475	(A)	711	741	(A)	838	873	(A)	959	998	(A)	1534	1597	-	-	-
	OHL Output Shaft (B)	6907	6907	6907	6907	6907	6907	6907	6907	6907	6907	6907	6907	6907	6907	6907	-	-	-
175.80	Output RPM	20	10	7	20	10	7	20	10	7	20	10	7	20	10	7	-	-	-
	Input HP (Max) (C)	9.59	5.01	3.32	12.95	6.57	4.36	12.95	6.57	4.36	12.95	6.57	4.36	12.95	6.57	4.36	-	-	-
	Output Torque, In-Lb	30812	31693	31675	41600	41623	41600	41600	41623	41600	41600	41623	41600	41600	41623	41600	-	-	-
	OHL Input Shaft	(A)	452	475	(A)	712	741	(A)	839	874	(A)	959	998	(A)	1534	1597	-	-	-
	OHL Output Shaft (B)	6907	6907	6907	6907	6907	6907	6907	6907	6907	6907	6907	6907	6907	6907	6907	-	-	-

(A) (B) (C) - See Footnote page on inside back cover
Blank areas (-) indicate configuration not available

NOMENCLATURE PAGE RHB-5	STOCK/NON-STOCK PART NUMBERS PAGE RHB-50	DIMENSIONS PAGE RHB-250	THERMAL RATINGS PAGE RHB-364
----------------------------	---	----------------------------	---------------------------------

SELECTION



RIGHT ANGLE HELICAL BEVEL REDUCER (RHB)

SIZE: B_1283

Service Factor 1.0 / Clamp Collar / 3 Pc Coupled / Separate

60 HZ

Triple Reduction

NEMA MOTOR FRAME IEC MOTOR FRAME SEPARATE GROUP		140TC 90D 90			180TC 100D 100			--- 112D 112			210TC 132D 132			250TC 160D 160			280TC 180D/200D 180		
RATIO	OUTPUT RATING DATA	3450	1750	1160	3450	1750	1160	3450	1750	1160	3450	1750	1160	3450	1750	1160	3450	1750	1160
189.04	Output RPM	18	9	6	18	9	6	18	9	6	18	9	6	-	-	-	-	-	-
	Input HP (Max) (C)	9.22	4.82	3.32	12.05	6.11	4.05	12.05	6.11	4.05	12.05	6.11	4.05	-	-	-	-	-	-
	Output Torque, In-Lb	31846	32784	34061	41600	41623	41600	41600	41623	41600	41600	41623	41600	41600	41623	41600	-	-	-
	OHL Input Shaft OHL Output Shaft (B)	(A) 6907 6907	(A) 452 6907	474 6907	(A) 6907 6907	(A) 713 6907	742 6907	(A) 6907 6907	(A) 840 6907	875 6907	(A) 6907 6907	(A) 959 6907	998 6907	-	-	-	-	-	-
204.18	Output RPM	17	9	6	17	9	6	17	9	6	17	9	6	-	-	-	-	-	-
	Input HP (Max) (C)	8.83	4.61	3.19	11.15	5.66	3.75	11.15	5.66	3.75	11.15	5.66	3.75	-	-	-	-	-	-
	Output Torque, In-Lb	32937	33915	35335	41600	41623	41600	41600	41623	41600	41600	41623	41600	41600	41623	41600	-	-	-
	OHL Input Shaft OHL Output Shaft (B)	(A) 6907 6907	(A) 452 6907	474 6907	(A) 6907 6907	(A) 713 6907	742 6907	(A) 6907 6907	(A) 842 6907	876 6907	(A) 6907 6907	(A) 959 6907	998 6907	-	-	-	-	-	-
221.64	Output RPM	16	8	5	16	8	5	16	8	5	16	8	5	-	-	-	-	-	-
	Input HP (Max) (C)	8.43	4.40	3.04	10.27	5.21	3.45	10.27	5.21	3.45	10.27	5.21	3.45	-	-	-	-	-	-
	Output Torque, In-Lb	34116	35135	36606	41600	41623	41600	41600	41623	41600	41600	41623	41600	41600	41623	41600	-	-	-
	OHL Input Shaft OHL Output Shaft (B)	(A) 6907 6907	(A) 454 6907	474 6907	(A) 6907 6907	(A) 714 6907	743 6907	(A) 6907 6907	(A) 842 6907	877 6907	(A) 6907 6907	(A) 959 6907	998 6907	-	-	-	-	-	-
242.02	Output RPM	14	7	5	14	7	5	14	7	5	14	7	5	-	-	-	-	-	-
	Input HP (Max) (C)	8.01	4.18	2.89	9.41	4.78	3.16	9.41	4.78	3.16	9.41	4.78	3.16	-	-	-	-	-	-
	Output Torque, In-Lb	35412	36473	38002	41600	41623	41600	41600	41623	41600	41600	41623	41600	41600	41623	41600	-	-	-
	OHL Input Shaft OHL Output Shaft (B)	(A) 6907 6907	(A) 454 6907	474 6907	(A) 6907 6907	(A) 714 6907	743 6907	(A) 6907 6907	(A) 843 6907	877 6907	(A) 6907 6907	(A) 959 6907	998 6907	-	-	-	-	-	-
270.90	Output RPM	13	6	4	13	6	4	13	6	4	-	-	-	-	-	-	-	-	-
	Input HP (Max) (C)	7.51	3.93	2.71	8.41	4.27	2.83	8.41	4.27	2.83	-	-	-	-	-	-	-	-	-
	Output Torque, In-Lb	37182	38299	39910	41600	41623	41600	41600	41623	41600	-	-	-	-	-	-	-	-	-
	OHL Input Shaft OHL Output Shaft (B)	(A) 6907 6907	(A) 453 6907	474 6907	(A) 6907 6907	(A) 714 6907	743 6907	(A) 6907 6907	(A) 843 6907	878 6907	-	-	-	-	-	-	-	-	-
295.38	Output RPM	12	6	4	12	6	4	12	6	4	-	-	-	-	-	-	-	-	-
	Input HP (Max) (C)	7.16	3.74	2.58	7.71	3.91	2.59	7.71	3.91	2.59	-	-	-	-	-	-	-	-	-
	Output Torque, In-Lb	38646	39802	41473	41600	41623	41600	41600	41623	41600	-	-	-	-	-	-	-	-	-
	OHL Input Shaft OHL Output Shaft (B)	(A) 6907 6907	(A) 453 6907	474 6907	(A) 6907 6907	(A) 714 6907	743 6907	(A) 6907 6907	(A) 844 6907	878 6907	-	-	-	-	-	-	-	-	-

(A) (B) (C) - See Footnote page on inside back cover
Blank areas (-) indicate configuration not available

NOMENCLATURE PAGE RHB-5	STOCK/NON-STOCK PART NUMBERS PAGE RHB-50	DIMENSIONS PAGE RHB-250	THERMAL RATINGS PAGE RHB-364
----------------------------	---	----------------------------	---------------------------------

QUANTIS

QUANTIS GOLD

ILH

RHB

MSM

SELECTION



RIGHT ANGLE HELICAL BEVEL REDUCER (RHB)

SIZE: B_1483

Service Factor 1.0 / Clamp Collar / 3 Pc Coupled / Separate

60 HZ

Triple Reduction

NEMA MOTOR FRAME IEC MOTOR FRAME SEPARATE GROUP		180TC 100D 100			--- 112D 112			210TC 132D 132			250TC 160D 160			280TC 180D/200D 180			320TC 225D 225		
RATIO	OUTPUT RATING DATA	3450	1750	1160	3450	1750	1160	3450	1750	1160	3450	1750	1160	3450	1750	1160	3450	1750	1160
4.83	Output RPM	-	-	-	-	-	-	-	-	-	714	362	240	714	362	240	714	362	240
	Input HP (Max) (C)	-	-	-	-	-	-	-	-	-	89.63	45.49	30.14	182.55	92.65	61.38	247.87	136.15	89.92
	Output Torque, In-Lb	-	-	-	-	-	-	-	-	-	7910	7915	7910	16110	16120	16110	21875	23688	23602
	OHL Input Shaft OHL Output Shaft (B)	-	-	-	-	-	-	-	-	-	(A) (A)	1523 9207	1587 10246	(A) (A)	1739 9207	2148 10246	(A) (A)	2182 9207	2284 10246
6.43	Output RPM	-	-	-	-	-	-	-	-	-	537	272	181	537	272	181	537	272	181
	Input HP (Max) (C)	-	-	-	-	-	-	-	-	-	89.63	45.49	30.14	181.92	92.65	61.38	209.62	126.51	86.71
	Output Torque, In-Lb	-	-	-	-	-	-	-	-	-	10525	10531	10524	21361	21448	21435	24613	29288	30281
	OHL Input Shaft OHL Output Shaft (B)	-	-	-	-	-	-	-	-	-	(A) (A)	1474 9207	1587 10246	(A) (A)	1631 9207	2075 10246	(A) (A)	2133 9207	2274 10246
7.44	Output RPM	-	-	-	-	-	-	464	235	156	464	235	156	464	235	156	464	235	156
	Input HP (Max) (C)	-	-	-	-	-	-	64.56	32.76	21.70	89.63	45.49	30.14	176.60	92.67	61.38	189.91	116.71	84.42
	Output Torque, In-Lb	-	-	-	-	-	-	8775	8780	8775	12187	12193	12186	24011	24838	24819	25819	31280	34136
	OHL Input Shaft OHL Output Shaft (B)	-	-	-	-	-	-	(A) (A)	948 10246	990 10246	(A) (A)	1442 10246	1588 10246	(A) (A)	1562 10246	2036 10246	(A) (A)	2094 10246	2287 10246
8.79	Output RPM	-	-	-	-	-	-	393	199	132	393	199	132	393	199	132	393	199	132
	Input HP (Max) (C)	-	-	-	-	-	-	64.38	32.76	21.70	84.99	45.49	30.14	167.09	91.75	60.62	169.74	105.76	76.39
	Output Torque, In-Lb	-	-	-	-	-	-	10334	10366	10360	13643	14396	14387	26820	29036	28938	27246	33468	36466
	OHL Input Shaft OHL Output Shaft (B)	-	-	-	-	-	-	(A) (A)	949 10246	990 11162	(A) (A)	1397 10246	1589 11162	(A) (A)	1321 10246	2003 11162	(A) (A)	2058 10246	2285 11162
9.77	Output RPM	-	-	-	-	-	-	-	-	-	353	179	119	353	179	119	353	179	119
	Input HP (Max) (C)	-	-	-	-	-	-	-	-	-	89.63	45.49	30.14	182.55	92.66	61.38	244.22	136.16	89.92
	Output Torque, In-Lb	-	-	-	-	-	-	-	-	-	16000	16009	16000	32587	32606	32586	43594	47914	47739
	OHL Input Shaft OHL Output Shaft (B)	-	-	-	-	-	-	-	-	-	(A) (A)	1523 10246	1587 11162	(A) (A)	1739 10246	2148 11162	(A) (A)	2182 10246	2284 11162
13.00	Output RPM	-	-	-	-	-	-	-	-	-	265	135	89	265	135	89	265	135	89
	Input HP (Max) (C)	-	-	-	-	-	-	-	-	-	89.63	45.49	30.14	181.92	92.65	61.38	207.73	126.53	86.71
	Output Torque, In-Lb	-	-	-	-	-	-	-	-	-	21289	21301	21288	43207	43383	43357	49338	59242	61251
	OHL Input Shaft OHL Output Shaft (B)	-	-	-	-	-	-	-	-	-	(A) (A)	1474 11162	1587 11951	(A) (A)	1631 9207	2075 11162	(A) (A)	2128 11162	2274 11951
15.05	Output RPM	-	-	-	-	-	-	229	116	77	229	116	77	229	116	77	229	116	77
	Input HP (Max) (C)	-	-	-	-	-	-	64.38	32.76	21.70	89.63	45.49	30.14	176.60	92.65	61.38	189.91	116.70	81.15
	Output Torque, In-Lb	-	-	-	-	-	-	20902	17760	17749	24650	24664	24649	48567	50233	50203	52226	63268	66374
	OHL Input Shaft OHL Output Shaft (B)	-	-	-	-	-	-	(A) (A)	948 11162	990 11951	(A) (A)	1442 11162	1588 10246	(A) (A)	1562 11162	2036 11951	(A) (A)	2094 11162	2287 11951
17.77	Output RPM	-	-	-	-	-	-	194	98	65	194	98	65	194	98	65	194	98	65
	Input HP (Max) (C)	-	-	-	-	-	-	64.38	32.76	21.70	84.99	45.49	30.14	167.09	91.76	60.62	169.74	103.53	69.59
	Output Torque, In-Lb	-	-	-	-	-	-	20902	20968	20955	27595	29119	29102	54250	58731	58534	55111	66265	67198
	OHL Input Shaft OHL Output Shaft (B)	-	-	-	-	-	-	(A) (A)	949 10246	990 11951	(A) (A)	1397 10246	1589 11951	(A) (A)	1321 11951	2003 11951	(A) (A)	2120 10246	2285 11951
19.84	Output RPM	-	-	-	174	88	59	174	88	59	174	88	59	174	88	59	174	88	59
	Input HP (Max) (C)	-	-	-	27.34	13.88	9.19	62.19	32.76	21.70	79.92	43.58	28.97	145.01	87.33	57.70	157.48	93.52	62.90
	Output Torque, In-Lb	-	-	-	9911	9917	9911	22543	23411	23397	28973	31142	31230	52568	62412	62215	57090	66834	67818
	OHL Input Shaft OHL Output Shaft (B)	-	-	-	(A) (A)	835 10246	870 11951	(A) (A)	949 12561	991 10246	(A) (A)	1384 11951	1589 12561	(A) (A)	1250 11951	1983 12561	(A) (A)	2192 11951	2285 12561

(A) (B) (C) - See Footnote page on inside back cover
Blank areas (-) indicate configuration not available

NOMENCLATURE PAGE RHB-5	STOCK/NON-STOCK PART NUMBERS PAGE RHB-50	DIMENSIONS PAGE RHB-282	THERMAL RATINGS PAGE RHB-364
----------------------------	---	----------------------------	---------------------------------

RIGHT ANGLE HELICAL BEVEL REDUCER (RHB)

SIZE: B_1483

Service Factor 1.0 / Clamp Collar / 3 Pc Coupled / Separate

60 HZ

Triple Reduction

NEMA MOTOR FRAME IEC MOTOR FRAME SEPARATE GROUP		180TC 100D 100			--- 112D 112			210TC 132D 132			250TC 160D 160			280TC 180D/200D 180			320TC 225D 225		
RATIO	OUTPUT RATING DATA	3450	1750	1160	3450	1750	1160	3450	1750	1160	3450	1750	1160	3450	1750	1160	3450	1750	1160
23.19	Output RPM	149	75	50	149	75	50	149	75	50	149	75	50	149	75	50	149	75	50
	Input HP (Max) (C)	20.42	10.36	6.87	27.34	13.88	9.19	59.33	31.87	21.45	74.14	40.43	26.87	128.69	81.03	54.46	141.61	81.03	54.46
	Output Torque, In-Lb	8649	8654	8649	11581	11588	11581	25132	26617	27024	31406	33762	33854	54513	67670	68609	59983	67670	68611
	OHL Input Shaft OHL Output Shaft (B)	(A) 713 11162	742 11951	742 12561	(A) 843 11162	877 11951	877 12561	(A) 946 11162	990 11951	990 12561	(A) 1370 11162	1589 12561	(A) 1589 11162	(A) 1938 11162	(A) 1938 11162	(A) 2191 11162	(A) 2191 11162	(A) 2191 11162	(A) 2191 11162
26.58	Output RPM	130	66	44	130	66	44	130	66	44	130	66	44	130	66	44	130	66	44
	Input HP (Max) (C)	20.42	10.36	6.87	27.34	13.88	9.19	56.88	30.56	20.57	69.86	38.10	25.32	115.52	71.44	48.00	128.96	71.44	48.00
	Output Torque, In-Lb	9916	9922	9916	13277	13285	13277	27626	29258	29711	33926	36474	36575	56100	68393	69333	62627	68393	69335
	OHL Input Shaft OHL Output Shaft (B)	(A) 712 11162	741 11951	741 12561	(A) 842 11162	877 11951	877 12561	(A) 952 11162	988 11951	988 12561	(A) 1352 11162	1588 12561	(A) 1588 11162	(A) 1213 11162	(A) 1213 11162	(A) 1873 11162	(A) 1873 11162	(A) 2189 11162	(A) 2189 11162
30.74	Output RPM	-	-	-	112	57	38	112	57	38	112	57	38	112	57	38	112	57	38
	Input HP (Max) (C)	-	-	-	27.34	13.88	9.19	53.58	28.80	19.38	64.94	35.42	23.54	114.77	62.48	41.99	114.77	62.48	41.99
	Output Torque, In-Lb	-	-	-	15351	15359	15350	30083	31881	32361	36463	39207	39308	64442	69154	70112	64442	69154	70112
	OHL Input Shaft OHL Output Shaft (B)	-	-	-	(A) 840 11162	877 12561	877 13027	(A) 953 11162	986 12561	986 13027	(A) 1334 11162	1587 13027	(A) 1587 11162	(A) 1268 11162	(A) 1268 11162	(A) 1824 11162	(A) 1824 11162	(A) 2197 11162	(A) 2197 11162
31.10	Output RPM	-	-	-	-	-	-	-	-	-	111	56	37	111	56	37	111	56	37
	Input HP (Max) (C)	-	-	-	-	-	-	-	-	-	89.63	45.49	30.14	116.84	63.25	41.90	116.84	63.25	41.90
	Output Torque, In-Lb	-	-	-	-	-	-	-	-	-	50925	50954	50924	66384	70848	70808	66384	70848	70808
	OHL Input Shaft OHL Output Shaft (B)	-	-	-	-	-	-	-	-	-	(A) 1523 11162	1587 13027	(A) 1587 11162	(A) 1957 11162	(A) 1957 11162	(A) 2313 11162	(A) 2313 11162	(A) 2205 11162	(A) 2205 11162
41.38	Output RPM	-	-	-	-	-	-	-	-	-	83	42	28	83	42	28	83	42	28
	Input HP (Max) (C)	-	-	-	-	-	-	-	-	-	77.27	42.12	28.00	87.78	47.54	31.49	91.66	47.54	31.49
	Output Torque, In-Lb	-	-	-	-	-	-	-	-	-	58413	62775	62944	66357	70848	70806	69288	70848	70808
	OHL Input Shaft OHL Output Shaft (B)	-	-	-	-	-	-	-	-	-	(A) 1504 11951	1592 13027	(A) 2018 11951	(A) 2018 11951	(A) 2443 13027	(A) 2443 13027	(A) 2194 11951	(A) 2194 11951	(A) 2194 13027
47.91	Output RPM	-	-	-	-	-	-	72	37	24	72	37	24	72	37	24	72	37	24
	Input HP (Max) (C)	-	-	-	-	-	-	64.54	32.76	21.70	80.10	41.06	27.20	80.10	41.06	27.20	80.10	41.06	27.20
	Output Torque, In-Lb	-	-	-	-	-	-	56494	56526	56493	70108	70848	70806	70108	70848	70808	70108	70848	70808
	OHL Input Shaft OHL Output Shaft (B)	-	-	-	-	-	-	(A) 948 11951	991 13027	991 13027	(A) 1484 11951	1588 13027	(A) 2044 11951	(A) 2044 11951	(A) 2403 13027	(A) 2403 13027	(A) 2190 11951	(A) 2190 11951	(A) 2190 13027
56.57	Output RPM	-	-	-	-	-	-	61	31	21	61	31	21	61	31	21	61	31	21
	Input HP (Max) (C)	-	-	-	-	-	-	64.38	32.76	21.70	68.52	34.78	23.04	68.52	34.78	23.04	68.52	34.78	23.04
	Output Torque, In-Lb	-	-	-	-	-	-	66528	66736	66697	70808	70848	70808	70808	70848	70808	70808	70848	70808
	OHL Input Shaft OHL Output Shaft (B)	-	-	-	-	-	-	(A) 949 12561	990 13027	990 13027	(A) 1509 13027	1591 13027	(A) 2068 12561	(A) 2068 12561	(A) 2426 13027	(A) 2426 13027	(A) 2199 12561	(A) 2199 12561	(A) 2199 13027
63.16	Output RPM	-	-	-	55	28	18	55	28	18	55	28	18	55	28	18	55	28	18
	Input HP (Max) (C)	-	-	-	27.34	13.88	9.19	61.37	31.15	20.63	61.37	31.15	20.63	61.37	31.15	20.63	61.37	31.15	20.63
	Output Torque, In-Lb	-	-	-	31545	31563	31545	70808	70848	70806	70808	70848	70808	70808	70848	70808	70808	70848	70808
	OHL Input Shaft OHL Output Shaft (B)	-	-	-	(A) 835 12561	870 13027	870 13027	(A) 950 12561	994 13027	994 13027	(A) 1524 13027	1593 13027	(A) 2084 12561	(A) 2084 12561	(A) 2439 13027	(A) 2439 13027	(A) 2202 12561	(A) 2202 12561	(A) 2202 13027
73.80	Output RPM	47	24	16	47	24	16	47	24	16	47	24	16	47	24	16	47	24	16
	Input HP (Max) (C)	20.42	10.36	6.87	27.34	13.88	9.19	52.52	26.66	17.66	52.52	26.66	17.66	52.52	26.66	17.66	52.52	26.66	17.66
	Output Torque, In-Lb	27528	27544	27528	36860	36881	36860	70808	70848	70808	70808	70848	70808	70808	70848	70808	70808	70848	70808
	OHL Input Shaft OHL Output Shaft (B)	(A) 713 12561	742 13027	742 13027	(A) 843 12561	877 13027	877 13027	(A) 950 12561	995 13027	995 13027	(A) 1531 12561	1594 13027	(A) 1531 12561	(A) 2100 12561	(A) 2100 12561	(A) 2455 13027	(A) 2455 13027	(A) 2208 12561	(A) 2208 12561

(A) (B) (C) - See Footnote page on inside back cover
Blank areas (-) indicate configuration not available

NOMENCLATURE PAGE RHB-5	STOCK/NON-STOCK PART NUMBERS PAGE RHB-50	DIMENSIONS PAGE RHB-282	THERMAL RATINGS PAGE RHB-364
----------------------------	---	----------------------------	---------------------------------

SELECTION



RIGHT ANGLE HELICAL BEVEL REDUCER (RHB)

SIZE: B_1483
60 HZ

Service Factor 1.0 / Clamp Collar / 3 Pc Coupled / Separate Triple Reduction

NEMA MOTOR FRAME IEC MOTOR FRAME SEPARATE GROUP		180TC 100D 100			--- 112D 112			210TC 132D 132			250TC 160D 160			280TC 180D/200D 180			320TC 225D 225		
RATIO	OUTPUT RATING DATA	3450	1750	1160	3450	1750	1160	3450	1750	1160	3450	1750	1160	3450	1750	1160	3450	1750	1160
84.61	Output RPM	41	21	14	41	21	14	41	21	14	41	21	14	41	21	14	41	21	14
	Input HP (Max) (C)	20.42	10.36	6.87	27.34	13.88	9.19	45.81	23.25	15.40	45.81	23.25	15.40	45.81	23.25	15.40	45.81	23.25	15.40
	Output Torque, In-Lb	31561	31579	31561	42259	42283	42258	70808	70848	70808	70808	70848	70808	70808	70848	70808	70808	70848	70808
	OHL Input Shaft OHL Output Shaft (B)	(A) 712 12561	741 13027	741 13027	(A) 842 12561	877 13027	877 13027	(A) 954 12561	995 13027	995 13027	(A) 1532 12561	1595 13027	1595 13027	(A) 2113 12561	2468 13027	2468 13027	(A) 2113 12561	2468 13027	(A) 2207 12561
97.82	Output RPM	-	-	-	35	18	12	35	18	12	35	18	12	35	18	12	35	18	12
	Input HP (Max) (C)	-	-	-	27.34	13.88	9.19	39.62	20.11	13.32	39.62	20.11	13.32	39.62	20.11	13.32	39.62	20.11	13.32
	Output Torque, In-Lb	-	-	-	48858	48886	48857	70808	70848	70808	70808	70848	70808	70808	70848	70808	70808	70848	70808
	OHL Input Shaft OHL Output Shaft (B)	- -	- -	- -	(A) 840 13027	877 13027	877 13027	(A) 956 13027	996 13027	996 13027	(A) 1521 13027	1585 13027	1585 13027	(A) 2124 13027	2483 13027	2483 13027	(A) 2124 13027	2483 13027	(A) 2208 13027
101.53	Output RPM	34	17	11	34	17	11	34	17	11	34	17	11	34	17	11	34	17	11
	Input HP (Max) (C)	20.42	10.36	6.87	27.18	13.88	9.19	38.17	19.37	12.84	38.17	19.37	12.84	38.17	19.37	12.84	38.17	19.37	12.84
	Output Torque, In-Lb	37873	37894	37872	50410	50740	50710	70808	70848	70808	70808	70848	70808	70808	70848	70808	70808	70848	70808
	OHL Input Shaft OHL Output Shaft (B)	(A) 708 13027	740 13027	740 13027	(A) 839 13027	878 13027	878 13027	(A) 956 13027	996 13027	996 13027	(A) 1522 13027	1586 13027	1586 13027	(A) 2127 13027	2485 13027	2485 13027	(A) 2127 13027	2485 13027	(A) 2209 13027
112.35	Output RPM	31	16	10	31	16	10	31	16	10	31	16	10	31	16	10	31	16	10
	Input HP (Max) (C)	20.42	10.36	6.87	26.07	13.88	9.19	34.50	17.51	11.60	34.50	17.51	11.60	34.50	17.51	11.60	34.50	17.51	11.60
	Output Torque, In-Lb	41908	41932	41907	53509	56146	56112	70808	70848	70808	70808	70848	70808	70808	70848	70808	70808	70848	70808
	OHL Input Shaft OHL Output Shaft (B)	(A) 711 13027	739 13027	739 13027	(A) 835 13027	877 13027	877 13027	(A) 957 13027	997 13027	997 13027	(A) 1520 13027	1583 13027	1583 13027	(A) 2134 13027	2491 13027	2491 13027	(A) 2134 13027	2491 13027	(A) 2209 13027
131.49	Output RPM	26	13	9	26	13	9	26	13	9	26	13	9	26	13	9	26	13	9
	Input HP (Max) (C)	20.36	10.36	6.87	25.11	13.44	9.08	29.48	14.96	9.91	29.48	14.96	9.91	29.48	14.96	9.91	29.48	14.96	9.91
	Output Torque, In-Lb	48895	49075	49046	60305	63665	64845	70808	70848	70808	70808	70848	70808	70808	70848	70808	70808	70848	70808
	OHL Input Shaft OHL Output Shaft (B)	(A) 712 13027	737 13027	737 13027	(A) 838 13027	876 13027	876 13027	(A) 957 13027	988 13027	988 13027	(A) 1525 13027	1589 13027	1589 13027	(A) 2143 13027	2499 13027	2499 13027	(A) 2143 13027	2499 13027	(A) 2210 13027
142.41	Output RPM	24	12	8	24	12	8	24	12	8	24	12	8	24	12	8	24	12	8
	Input HP (Max) (C)	19.23	10.09	6.87	23.72	12.71	8.58	27.22	13.81	9.15	27.22	13.81	9.15	27.22	13.81	9.15	27.22	13.81	9.15
	Output Torque, In-Lb	50033	51758	53117	61716	65162	66372	70808	70848	70808	70808	70848	70808	70808	70848	70808	70808	70848	70808
	OHL Input Shaft OHL Output Shaft (B)	(A) 712 13027	737 13027	737 13027	(A) 838 13027	876 13027	876 13027	(A) 958 13027	990 13027	990 13027	(A) 1527 13027	1590 13027	1590 13027	(A) 2147 13027	2503 13027	2503 13027	(A) 2147 13027	2503 13027	(A) 2210 13027
158.93	Output RPM	22	11	7	22	11	7	22	11	7	22	11	7	22	11	7	-	-	-
	Input HP (Max) (C)	18.57	9.75	6.71	22.96	12.30	8.20	24.39	12.38	8.20	24.39	12.38	8.20	24.39	12.38	8.20	-	-	-
	Output Torque, In-Lb	53928	55811	57958	66677	70405	70806	70808	70848	70808	70808	70848	70808	70808	70848	70808	-	-	-
	OHL Input Shaft OHL Output Shaft (B)	(A) 659 13027	736 13027	736 13027	(A) 751 13027	875 13027	875 13027	(A) 949 13027	989 13027	989 13027	(A) 1529 13027	1592 13027	1592 13027	(A) 2153 13027	2503 13027	2503 13027	(A) 2153 13027	-	-
168.50	Output RPM	21	10	7	21	10	7	21	10	7	21	10	7	21	10	7	-	-	-
	Input HP (Max) (C)	17.89	9.39	6.47	22.19	11.67	7.73	23.00	11.67	7.73	23.00	11.67	7.73	23.00	11.67	7.73	-	-	-
	Output Torque, In-Lb	55077	57009	59201	68310	70848	70806	70808	70848	70808	70808	70848	70808	70808	70848	70808	-	-	-
	OHL Input Shaft OHL Output Shaft (B)	(A) 639 13027	736 13027	736 13027	(A) 755 13027	875 13027	875 13027	(A) 950 13027	991 13027	991 13027	(A) 1530 13027	1593 13027	1593 13027	(A) 2155 13027	2503 13027	2503 13027	(A) 2155 13027	-	-
191.02	Output RPM	18	9	6	18	9	6	18	9	6	18	9	6	-	-	-	-	-	-
	Input HP (Max) (C)	17.23	9.04	6.23	20.29	10.30	6.82	20.29	10.30	6.82	20.29	10.30	6.82	-	-	-	-	-	-
	Output Torque, In-Lb	60116	62204	64612	70808	70848	70806	70808	70848	70808	70808	70848	70808	-	-	-	-	-	-
	OHL Input Shaft OHL Output Shaft (B)	(A) 514 13027	738 13027	738 13027	(A) 786 13027	873 13027	873 13027	(A) 950 13027	992 13027	992 13027	(A) 1531 13027	1594 13027	1594 13027	-	-	-	-	-	-

(A) (B) (C) - See Footnote page on inside back cover
Blank areas (-) indicate configuration not available

NOMENCLATURE PAGE RHB-5	STOCK/NON-STOCK PART NUMBERS PAGE RHB-50	DIMENSIONS PAGE RHB-282	THERMAL RATINGS PAGE RHB-364
----------------------------	---	----------------------------	---------------------------------

SELECTION



RIGHT ANGLE HELICAL BEVEL REDUCER (RHB)

SIZE: B_1483

Service Factor 1.0 / Clamp Collar / 3 Pc Coupled / Separate

60 HZ

Triple Reduction

NEMA MOTOR FRAME IEC MOTOR FRAME SEPARATE GROUP		180TC 100D 100			--- 112D 112			210TC 132D 132			250TC 160D 160			280TC 180D/200D 180			320TC 225D 225		
RATIO	OUTPUT RATING DATA	3450	1750	1160	3450	1750	1160	3450	1750	1160	3450	1750	1160	3450	1750	1160	3450	1750	1160
204.38	Output RPM	17	9	6	17	9	6	17	9	6	17	9	6	-	-	-	-	-	-
	Input HP (Max) (C)	16.58	8.55	5.99	18.96	9.63	6.38	18.96	9.63	6.38	18.96	9.63	6.38	-	-	-	-	-	-
	Output Torque, In-Lb	61904	62906	66524	70808	70848	70806	70808	70848	70808	70808	70848	70808	-	-	-	-	-	-
	OHL Input Shaft OHL Output Shaft (B)	(A) 507 13027	(A) 507 13027	(A) 737 13027	(A) 801 13027	(A) 801 13027	(A) 873 13027	(A) 951 13027	(A) 951 13027	(A) 993 13027	(A) 1532 13027	(A) 1532 13027	(A) 1595 13027	-	-	-	-	-	-
214.96	Output RPM	16	8	5	16	8	5	16	8	5	-	-	-	-	-	-	-	-	-
	Input HP (Max) (C)	15.93	12.06	5.76	18.03	9.15	6.06	18.03	9.15	6.06	-	-	-	-	-	-	-	-	-
	Output Torque, In-Lb	62546	63335	67238	70808	70848	70806	70808	70848	70808	-	-	-	-	-	-	-	-	-
	OHL Input Shaft OHL Output Shaft (B)	(A) 507 13027	(A) 507 13027	(A) 738 13027	(A) 815 13027	(A) 815 13027	(A) 873 13027	(A) 952 13027	(A) 952 13027	(A) 994 13027	-	-	-	-	-	-	-	-	-
231.95	Output RPM	15	8	5	15	8	5	15	8	5	-	-	-	-	-	-	-	-	-
	Input HP (Max) (C)	15.13	11.26	5.48	16.71	8.48	5.62	16.71	8.48	5.62	-	-	-	-	-	-	-	-	-
	Output Torque, In-Lb	64128	64024	69062	70808	70848	70808	70808	70848	70808	-	-	-	-	-	-	-	-	-
	OHL Input Shaft OHL Output Shaft (B)	(A) 507 13027	(A) 507 13027	(A) 737 13027	(A) 830 13027	(A) 830 13027	(A) 874 13027	(A) 953 13027	(A) 953 13027	(A) 995 13027	-	-	-	-	-	-	-	-	-
251.55	Output RPM	14	7	5	14	7	5	14	7	5	-	-	-	-	-	-	-	-	-
	Input HP (Max) (C)	14.07	7.13	5.18	15.41	7.81	5.18	15.41	7.81	5.18	-	-	-	-	-	-	-	-	-
	Output Torque, In-Lb	64653	64739	70806	70808	70848	70808	70808	70848	70808	-	-	-	-	-	-	-	-	-
	OHL Input Shaft OHL Output Shaft (B)	(A) 507 13027	(A) 507 13027	(A) 742 13027	(A) 840 13027	(A) 840 13027	(A) 875 13027	(A) 955 13027	(A) 955 13027	(A) 994 13027	-	-	-	-	-	-	-	-	-
274.42	Output RPM	13	6	4	13	6	4	13	6	4	-	-	-	-	-	-	-	-	-
	Input HP (Max) (C)	13.00	6.62	4.75	14.12	7.17	4.75	14.12	7.17	4.75	-	-	-	-	-	-	-	-	-
	Output Torque, In-Lb	65181	65438	70808	70808	70848	70808	70808	70848	70808	-	-	-	-	-	-	-	-	-
	OHL Input Shaft OHL Output Shaft (B)	(A) 507 13027	(A) 507 13027	(A) 683 13027	(A) 841 13027	(A) 841 13027	(A) 876 13027	(A) 955 13027	(A) 955 13027	(A) 994 13027	-	-	-	-	-	-	-	-	-
306.08	Output RPM	11	6	4	11	6	4	-	-	-	-	-	-	-	-	-	-	-	-
	Input HP (Max) (C)	11.77	6.01	4.26	12.66	6.43	4.26	-	-	-	-	-	-	-	-	-	-	-	-
	Output Torque, In-Lb	65793	66221	70808	70808	70848	70808	-	-	-	-	-	-	-	-	-	-	-	-
	OHL Input Shaft OHL Output Shaft (B)	(A) 507 13027	(A) 507 13027	(A) 700 13027	(A) 842 13027	(A) 842 13027	(A) 877 13027	-	-	-	-	-	-	-	-	-	-	-	-

(A) (B) (C) - See Footnote page on inside back cover

Blank areas (-) indicate configuration not available

NOMENCLATURE PAGE RHB-5	STOCK/NON-STOCK PART NUMBERS PAGE RHB-50	DIMENSIONS PAGE RHB-282	THERMAL RATINGS PAGE RHB-364
----------------------------	---	----------------------------	---------------------------------

QUANTIS

QUANTIS GOLD

ILH

RHB

MSM

SELECTION



RIGHT ANGLE HELICAL BEVEL REDUCER (RHB)

SIZE: B_1683
60 HZ

Service Factor 1.0 / Clamp Collar / 3 Pc Coupled / Separate Triple Reduction

NEMA MOTOR FRAME IEC MOTOR FRAME SEPARATE GROUP		210TC 132D 132			250TC 160D 160			280TC 180D/200D 180			320TC 225D 225			360TC 250D 250		
RATIO	OUTPUT RATING DATA	3450	1750	1160	3450	1750	1160	3450	1750	1160	3450	1750	1160	3450	1750	1160
6.61	Output RPM	-	-	-	522	265	176	522	265	176	522	265	176	522	265	176
	Input HP (Max) (C)	-	-	-	89.63	45.49	30.14	182.55	92.65	61.38	92.70	116.82	93.51	95.95	120.91	96.78
	Output Torque, In-Lb	-	-	-	10825	10831	10825	22047	22060	22047	11196	27813	33587	11588	28787	34764
	OHL Input Shaft OHL Output Shaft (B)	-	-	-	(A) (A)	1523 13774	1587 15278	(A) (A)	1745 13774	2479 15278	(A) (A)	2188 13774	2281 15278	(A) (A)	2275 13774	2730 15278
8.64	Output RPM	-	-	-	399	203	134	399	203	134	399	203	134	399	203	134
	Input HP (Max) (C)	-	-	-	89.63	45.49	30.14	181.92	92.65	61.38	89.76	113.11	90.54	93.46	117.78	94.27
	Output Torque, In-Lb	-	-	-	14144	14152	14144	28707	28824	28807	14164	35186	42491	14748	36639	44245
	OHL Input Shaft OHL Output Shaft (B)	-	-	-	(A) (A)	1488 15278	1588 16566	(A) (A)	1640 15278	2491 16566	(A) (A)	2193 13774	2284 16566	(A) (A)	2170 13774	2626 16566
10.17	Output RPM	339	172	114	339	172	114	339	172	114	339	172	114	339	172	114
	Input HP (Max) (C)	64.54	32.76	21.70	89.63	45.49	30.14	176.60	92.65	61.38	87.59	110.37	88.35	91.51	114.28	92.31
	Output Torque, In-Lb	11996	12003	11995	16659	16668	16658	32822	33948	33928	16278	40439	48835	17008	41872	51025
	OHL Input Shaft OHL Output Shaft (B)	(A) 13774	948 15278	990 16566	(A) 13774	1451 15278	1588 16566	(A) 13774	1546 15278	2484 16566	(A) 13774	2189 15278	2284 16566	(A) 13774	2067 15278	2548 16566
11.67	Output RPM	296	150	99	296	150	99	296	150	99	296	150	99	296	150	99
	Input HP (Max) (C)	64.38	32.76	21.70	84.99	45.49	30.14	167.09	91.75	60.62	84.19	106.09	84.92	88.33	104.90	89.10
	Output Torque, In-Lb	13723	13767	13758	18118	19118	19107	35618	38560	38431	17947	44583	53840	18830	44083	56491
	OHL Input Shaft OHL Output Shaft (B)	(A) 13774	942 16566	990 17607	(A) 13774	1415 16566	1589 17607	(A) 13774	1334 16566	2007 17607	(A) 13774	2066 13774	2277 16566	(A) 13774	2034 13774	2495 17607
12.41	Output RPM	-	-	-	278	141	94	278	141	94	278	141	94	278	141	94
	Input HP (Max) (C)	-	-	-	89.63	45.49	30.14	182.55	92.66	61.38	92.70	116.82	93.51	95.95	120.91	96.78
	Output Torque, In-Lb	-	-	-	20316	20328	20316	41378	41401	41377	21012	52198	63035	21748	54027	65244
	OHL Input Shaft OHL Output Shaft (B)	-	-	-	(A) 13774	1523 16566	1587 17607	(A) 13774	1745 16566	2479 17607	(A) 13774	2188 16566	2281 17607	(A) 13774	2275 16566	2730 17607
16.21	Output RPM	-	-	-	213	108	72	213	108	72	213	108	72	213	108	72
	Input HP (Max) (C)	-	-	-	89.63	45.49	30.14	181.92	92.65	61.38	89.76	113.10	90.54	93.46	117.77	94.27
	Output Torque, In-Lb	-	-	-	26546	26561	26545	53876	54096	54063	26582	66036	79746	27679	68762	83038
	OHL Input Shaft OHL Output Shaft (B)	-	-	-	(A) 15278	1488 16566	1588 17607	(A) 15278	1640 16566	2491 17607	(A) 15278	2193 16566	2284 17607	(A) 15278	2170 16566	2626 17607
19.09	Output RPM	181	92	61	181	92	61	181	92	61	181	92	61	181	92	61
	Input HP (Max) (C)	64.54	32.76	21.70	89.63	45.49	30.14	176.60	92.65	61.38	87.59	110.37	88.35	91.51	114.28	92.31
	Output Torque, In-Lb	22513	22526	22512	31265	31283	31264	61600	63713	63675	30550	75894	91651	31920	78583	95761
	OHL Input Shaft OHL Output Shaft (B)	(A) 15278	948 17607	990 19423	(A) 15278	1451 17607	1588 19423	(A) 15278	1546 17607	2484 19423	(A) 15278	2189 17607	2284 19423	(A) 15278	2067 17607	2548 19423
21.90	Output RPM	158	80	53	158	80	53	158	80	53	158	80	53	158	80	53
	Input HP (Max) (C)	64.38	32.76	21.70	84.99	45.49	30.14	167.09	91.75	60.62	84.19	106.09	84.92	88.33	104.90	89.10
	Output Torque, In-Lb	25756	25837	25821	34003	35880	35859	66846	72368	72125	33681	83672	101044	35340	82734	106020
	OHL Input Shaft OHL Output Shaft (B)	(A) 16566	942 17607	991 19423	(A) 16566	1415 17607	1589 19423	(A) 16566	1334 17607	2007 19423	(A) 16566	2066 17607	2277 19423	(A) 16566	2034 17607	2495 19423
24.14	Output RPM	143	73	48	143	73	48	143	73	48	143	73	48	143	73	48
	Input HP (Max) (C)	62.19	32.76	21.70	79.92	43.58	28.97	159.05	87.33	57.70	81.64	100.11	82.35	85.91	98.43	86.56
	Output Torque, In-Lb	27420	28476	28459	35241	37880	37987	70131	75916	75676	35997	87022	107992	37881	85562	113524
	OHL Input Shaft OHL Output Shaft (B)	(A) 16566	949 17607	991 19423	(A) 16566	1404 17607	1581 19423	(A) 16566	1280 17607	1994 19423	(A) 16566	2027 17607	2268 19423	(A) 16566	2014 17607	2451 19423

(A) (B) (C) - See Footnote page on inside back cover
Blank areas (-) indicate configuration not available

NOMENCLATURE PAGE RHB-5	STOCK/NON-STOCK PART NUMBERS PAGE RHB-50	DIMENSIONS PAGE RHB-314	THERMAL RATINGS PAGE RHB-364
----------------------------	---	----------------------------	---------------------------------

RIGHT ANGLE HELICAL BEVEL REDUCER (RHB)

SIZE: B_1683

Service Factor 1.0 / Clamp Collar / 3 Pc Coupled / Separate

60 HZ

Triple Reduction

NEMA MOTOR FRAME IEC MOTOR FRAME SEPARATE GROUP		210TC 132D 132			250TC 160D 160			280TC 180D/200D 180			320TC 225D 225			360TC 250D 250		
RATIO	OUTPUT RATING DATA	3450	1750	1160	3450	1750	1160	3450	1750	1160	3450	1750	1160	3450	1750	1160
28.54	Output RPM	121	61	41	121	61	41	121	61	41	121	61	41	121	61	41
	Input HP (Max) (C)	59.33	31.87	21.45	74.14	40.43	26.87	151.27	83.10	54.89	77.92	89.27	74.20	82.35	87.74	74.20
	Output Torque, In-Lb	30936	32763	33265	38658	41559	41673	78873	85423	85116	40629	91759	115070	42937	90186	115070
	OHL Input Shaft OHL Output Shaft (B)	(A) 947 16566	990 19423	990 19423	(A) 1385 16566	1579 19423	(A) 1078 16566	1939 19423	(A) 1078 19423	1939 19423	(A) 1078 16566	1939 19423	(A) 1990 19423	2290 19423	(A) 1979 16566	2253 19423
32.53	Output RPM	106	54	36	106	54	36	106	54	36	106	54	36	106	54	36
	Input HP (Max) (C)	56.88	30.56	20.57	69.86	38.10	25.32	147.61	81.07	53.56	74.57	81.25	65.79	79.11	79.85	65.79
	Output Torque, In-Lb	33806	35803	36358	41516	44634	44758	87725	94984	94672	44314	95199	116284	47014	93552	116288
	OHL Input Shaft OHL Output Shaft (B)	(A) 952 16566	988 19423	988 18949	(A) 1387 16566	1577 19423	(A) 860 18949	1876 19423	(A) 860 19423	1876 18949	(A) 1967 16566	2292 19423	(A) 1967 18949	2292 16566	(A) 1956 16566	2050 19423
34.55	Output RPM	-	-	-	100	51	34	100	51	34	100	51	34	100	51	34
	Input HP (Max) (C)	-	-	-	89.63	45.49	30.14	165.01	92.65	61.38	92.70	96.07	63.65	95.95	96.07	63.65
	Output Torque, In-Lb	-	-	-	56580	56612	56578	104160	115300	115232	58516	119556	119489	60567	119556	119489
	OHL Input Shaft OHL Output Shaft (B)	- -	- -	- -	(A) 1523 16566	1575 19423	(A) 1745 16566	2154 19423	(A) 1745 18949	2154 18949	(A) 2194 16566	2286 19423	(A) 2194 18949	2286 16566	(A) 2446 16566	2785 19423
45.15	Output RPM	-	-	-	76	39	26	76	39	26	76	39	26	76	39	26
	Input HP (Max) (C)	-	-	-	89.63	45.49	30.14	136.83	73.53	48.71	89.76	73.53	48.71	93.46	73.53	48.71
	Output Torque, In-Lb	-	-	-	73928	73970	73926	112855	119556	119489	74030	119556	119489	77086	119556	119489
	OHL Input Shaft OHL Output Shaft (B)	- -	- -	- -	(A) 1488 17607	1574 18949	(A) 1801 17607	2158 18949	(A) 1801 18949	2158 18949	(A) 2192 17607	2287 18949	(A) 2192 18949	2287 16566	(A) 2520 17607	2784 18949
53.18	Output RPM	65	33	22	65	33	22	65	33	22	65	33	22	65	33	22
	Input HP (Max) (C)	64.54	32.76	21.70	89.63	45.49	30.14	122.03	62.43	41.36	87.59	62.43	41.36	91.51	62.43	41.36
	Output Torque, In-Lb	62698	62733	62696	87071	87120	87069	118538	119556	119489	85081	119556	119489	88896	119556	119489
	OHL Input Shaft OHL Output Shaft (B)	(A) 948 17607	990 18949	990 18949	(A) 1451 17607	1584 18949	(A) 1841 17607	2198 18949	(A) 1841 18949	2198 18949	(A) 2202 17607	2295 18949	(A) 2202 18949	2295 16566	(A) 2555 17607	2792 18949
60.99	Output RPM	57	29	19	57	29	19	57	29	19	57	29	19	57	29	19
	Input HP (Max) (C)	64.38	32.76	21.70	84.99	45.49	30.14	107.24	54.43	36.06	84.19	54.43	36.06	88.33	54.43	36.06
	Output Torque, In-Lb	71728	71953	71911	94695	99924	99865	119489	119556	119489	93801	119556	119489	98420	119556	119489
	OHL Input Shaft OHL Output Shaft (B)	(A) 942 19423	991 18949	991 18949	(A) 1415 19423	1582 18949	(A) 1869 19423	2227 18949	(A) 1869 18949	2227 18949	(A) 2206 19423	2299 18949	(A) 2206 18949	2299 16566	(A) 2580 19423	2796 18949
67.22	Output RPM	51	26	17	51	26	17	51	26	17	51	26	17	51	26	17
	Input HP (Max) (C)	62.19	32.76	21.70	79.92	43.58	28.97	97.30	49.38	32.72	81.64	49.38	32.72	85.91	49.38	32.72
	Output Torque, In-Lb	76364	79304	79257	98144	105494	105792	119489	119556	119489	100250	119556	119489	105496	119556	119489
	OHL Input Shaft OHL Output Shaft (B)	(A) 949 19423	991 18949	991 18949	(A) 1404 19423	1590 18949	(A) 1887 19423	2244 18949	(A) 1887 18949	2244 18949	(A) 2207 19423	2299 18949	(A) 2207 18949	2299 16566	(A) 2596 19423	2797 18949
79.49	Output RPM	43	22	15	43	22	15	43	22	15	43	22	15	43	22	15
	Input HP (Max) (C)	59.33	31.87	21.45	74.14	40.43	26.87	82.29	41.76	27.67	77.92	41.76	27.67	82.29	41.76	27.67
	Output Torque, In-Lb	86155	91244	92640	107662	115740	116056	119489	119556	119489	113149	119556	119489	119489	119556	119489
	OHL Input Shaft OHL Output Shaft (B)	(A) 947 19423	990 18949	990 18949	(A) 1385 19423	1590 18949	(A) 1914 19423	2271 18949	(A) 1914 18949	2271 18949	(A) 2208 19423	2300 18949	(A) 2208 18949	2300 16566	(A) 2623 19423	2798 18949
90.60	Output RPM	38	19	13	38	19	13	38	19	13	38	19	13	38	19	13
	Input HP (Max) (C)	56.88	30.56	20.57	69.86	36.64	24.27	72.20	36.64	24.27	72.20	36.64	24.27	72.20	36.64	24.27
	Output Torque, In-Lb	94148	99711	101254	115619	119556	119485	119489	119556	119489	119489	119556	119489	119489	119556	119489
	OHL Input Shaft OHL Output Shaft (B)	(A) 952 18949	988 18949	988 18949	(A) 1387 18949	1590 18949	(A) 1931 18949	2288 18949	(A) 1931 18949	2288 18949	(A) 2209 19423	2301 18949	(A) 2209 18949	2301 16566	(A) 2638 19423	2774 18949

(A) (B) (C) - See Footnote page on inside back cover
Blank areas (-) indicate configuration not available

NOMENCLATURE PAGE RHB-5	STOCK/NON-STOCK PART NUMBERS PAGE RHB-50	DIMENSIONS PAGE RHB-314	THERMAL RATINGS PAGE RHB-364
----------------------------	---	----------------------------	---------------------------------

SELECTION



RIGHT ANGLE HELICAL BEVEL REDUCER (RHB)

SIZE: B_1683
60 HZ

Service Factor 1.0 / Clamp Collar / 3 Pc Coupled / Separate Triple Reduction

NEMA MOTOR FRAME IEC MOTOR FRAME SEPARATE GROUP		210TC 132D 132			250TC 160D 160			280TC 180D/200D 180			320TC 225D 225			360TC 250D 250		
RATIO	OUTPUT RATING DATA	3450	1750	1160	3450	1750	1160	3450	1750	1160	3450	1750	1160	3450	1750	1160
104.18	Output RPM	33	17	11	33	17	11	33	17	11	33	17	11	33	17	11
	Input HP (Max) (C)	53.58	28.80	19.38	62.79	31.87	21.11	62.79	31.87	21.11	62.79	31.87	21.11	62.79	31.87	21.11
	Output Torque, In-Lb	101966	108058	109688	119489	119556	119485	119489	119556	119489	119489	119556	119489	119489	119556	119489
	OHL Input Shaft (A) OHL Output Shaft (B)	(A) 953 18949	987 18949	(A) 1403 18949	1590 18949	(A) 1948 18949	2304 18949	(A) 2191 18949	2284 18949	(A) 2652 18949	2772 18949					
119.09	Output RPM	29	15	10	29	15	10	29	15	10	29	15	10	29	15	10
	Input HP (Max) (C)	51.80	27.84	18.47	54.92	27.88	18.47	54.92	27.88	18.47	54.92	27.88	18.47	54.92	27.88	18.47
	Output Torque, In-Lb	112697	119422	119485	119489	119556	119489	119489	119556	119489	119489	119556	119489	119489	119556	119489
	OHL Input Shaft (A) OHL Output Shaft (B)	(A) 951 18949	991 18949	(A) 1417 18949	1588 18949	(A) 1961 18949	2318 18949	(A) 2190 18949	2283 18949	(A) 2665 18949	2781 18949					
138.01	Output RPM	25	13	8	25	13	8	25	13	8	25	13	8	-	-	-
	Input HP (Max) (C)	47.40	24.05	15.94	47.40	24.05	15.94	47.40	24.05	15.94	47.40	24.05	15.94	-	-	-
	Output Torque, In-Lb	119489	119556	119485	119489	119556	119489	119489	119556	119489	119489	119556	119489	-	-	-
	OHL Input Shaft (A) OHL Output Shaft (B)	(A) 954 18949	986 18949	(A) 1432 18949	1591 18949	(A) 1974 18949	2331 18949	(A) 2196 18949	2289 18949	-	-	-	-	-	-	-
150.36	Output RPM	23	12	8	23	12	8	23	12	8	23	12	8	-	-	-
	Input HP (Max) (C)	43.50	22.08	14.63	43.50	22.08	14.63	43.50	22.08	14.63	43.50	22.08	14.63	-	-	-
	Output Torque, In-Lb	119489	119556	119489	119489	119556	119489	119489	119556	119489	119489	119556	119489	-	-	-
	OHL Input Shaft (A) OHL Output Shaft (B)	(A) 955 18949	994 18949	(A) 1439 18949	1593 18949	(A) 1980 18949	2337 18949	(A) 2200 18949	2293 18949	-	-	-	-	-	-	-
167.50	Output RPM	21	10	7	21	10	7	21	10	7	-	-	-	-	-	-
	Input HP (Max) (C)	39.05	19.82	13.13	39.05	19.82	13.13	39.05	19.82	13.13	-	-	-	-	-	-
	Output Torque, In-Lb	119489	119556	119489	119489	119556	119489	119489	119556	119489	-	-	-	-	-	-
	OHL Input Shaft (A) OHL Output Shaft (B)	(A) 956 18949	987 18949	(A) 1446 18949	1594 18949	(A) 1988 18949	2345 18949	-	-	-	-	-	-	-	-	-
177.43	Output RPM	19	10	7	19	10	7	19	10	7	-	-	-	-	-	-
	Input HP (Max) (C)	36.86	18.71	12.40	36.86	18.71	12.40	36.86	18.71	12.40	-	-	-	-	-	-
	Output Torque, In-Lb	119489	119556	119489	119489	119556	119489	119489	119556	119489	-	-	-	-	-	-
	OHL Input Shaft (A) OHL Output Shaft (B)	(A) 948 18949	988 18949	(A) 1450 18949	1595 18949	(A) 1992 18949	2349 18949	-	-	-	-	-	-	-	-	-
199.54	Output RPM	17	9	6	17	9	6	-	-	-	-	-	-	-	-	-
	Input HP (Max) (C)	32.78	16.64	11.02	32.78	16.64	11.02	-	-	-	-	-	-	-	-	-
	Output Torque, In-Lb	119489	119556	119489	119489	119556	119489	-	-	-	-	-	-	-	-	-
	OHL Input Shaft (A) OHL Output Shaft (B)	(A) 951 18949	991 18949	(A) 1444 18949	1595 18949	-	-	-	-	-	-	-	-	-	-	-
213.33	Output RPM	16	8	5	16	8	5	-	-	-	-	-	-	-	-	-
	Input HP (Max) (C)	30.66	15.56	10.31	30.66	15.56	10.31	-	-	-	-	-	-	-	-	-
	Output Torque, In-Lb	119489	119556	119489	119489	119556	119489	-	-	-	-	-	-	-	-	-
	OHL Input Shaft (A) OHL Output Shaft (B)	(A) 952 18949	988 18949	(A) 1448 18949	1596 18949	-	-	-	-	-	-	-	-	-	-	-
226.15	Output RPM	15	8	5	-	-	-	-	-	-	-	-	-	-	-	-
	Input HP (Max) (C)	28.92	14.68	9.72	-	-	-	-	-	-	-	-	-	-	-	-
	Output Torque, In-Lb	119489	119556	119489	-	-	-	-	-	-	-	-	-	-	-	-
	OHL Input Shaft (A) OHL Output Shaft (B)	(A) 949 18949	989 18949	-	-	-	-	-	-	-	-	-	-	-	-	-

(A) (B) (C) - See Footnote page on inside back cover
Blank areas (-) indicate configuration not available

NOMENCLATURE PAGE RHB-5	STOCK/NON-STOCK PART NUMBERS PAGE RHB-50	DIMENSIONS PAGE RHB-314	THERMAL RATINGS PAGE RHB-364
----------------------------	---	----------------------------	---------------------------------

SELECTION



RIGHT ANGLE HELICAL BEVEL REDUCER (RHB)

SIZE: B_1683
60 HZ

Service Factor 1.0 / Clamp Collar / 3 Pc Coupled / Separate Triple Reduction

NEMA MOTOR FRAME IEC MOTOR FRAME SEPARATE GROUP		210TC 132D 132			250TC 160D 160			280TC 180D/200D 180			320TC 225D 225			360TC 250D 250		
RATIO	OUTPUT RATING DATA	3450	1750	1160	3450	1750	1160	3450	1750	1160	3450	1750	1160	3450	1750	1160
243.80	Output RPM	14	7	5	-	-	-	-	-	-	-	-	-	-	-	-
	Input HP (Max) (C)	26.83	13.62	9.02	-	-	-	-	-	-	-	-	-	-	-	-
	Output Torque, In-Lb	119489	119556	119489	-	-	-	-	-	-	-	-	-	-	-	-
	OHL Input Shaft (A)	951	991	-	-	-	-	-	-	-	-	-	-	-	-	-
	OHL Output Shaft (B)	18949	18949	18949	-	-	-	-	-	-	-	-	-	-	-	-
264.18	Output RPM	13	7	4	-	-	-	-	-	-	-	-	-	-	-	-
	Input HP (Max) (C)	24.76	12.57	8.32	-	-	-	-	-	-	-	-	-	-	-	-
	Output Torque, In-Lb	119489	119556	119485	-	-	-	-	-	-	-	-	-	-	-	-
	OHL Input Shaft (A)	952	995	-	-	-	-	-	-	-	-	-	-	-	-	-
	OHL Output Shaft (B)	18949	18949	18949	-	-	-	-	-	-	-	-	-	-	-	-
287.95	Output RPM	12	6	4	-	-	-	-	-	-	-	-	-	-	-	-
	Input HP (Max) (C)	18.82	10.11	6.81	-	-	-	-	-	-	-	-	-	-	-	-
	Output Torque, In-Lb	98985	104886	106497	-	-	-	-	-	-	-	-	-	-	-	-
	OHL Input Shaft (A)	957	989	-	-	-	-	-	-	-	-	-	-	-	-	-
	OHL Output Shaft (B)	18949	18949	18949	-	-	-	-	-	-	-	-	-	-	-	-

(A) (B) (C) - See Footnote page on inside back cover

Blank areas (-) indicate configuration not available

NOMENCLATURE PAGE RHB-5	STOCK/NON-STOCK PART NUMBERS PAGE RHB-50	DIMENSIONS PAGE RHB-314	THERMAL RATINGS PAGE RHB-364
----------------------------	---	----------------------------	---------------------------------

QUANTIS PART NUMBERS



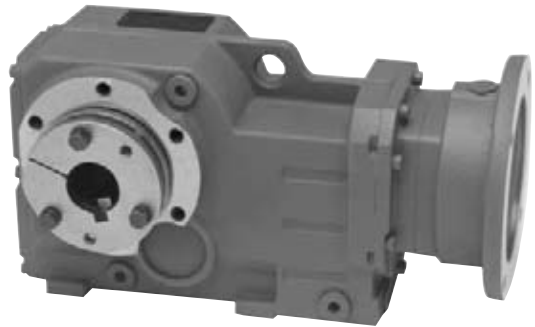
QUANTIS Part Number Nomenclature

RHB Example: B3C14S000565

B	3	C	14	S	00565
Housing Configuration	Size	Input Type	Frame	Output Type	Ratio
H = ILH Foot Mounted B = RHB Foot Mounted BF = RHB Flange Mounted M = MSM Universal Mounting	3 = 38 4 = 48 6 = 68 8 = 88 10 = 108 12 = 128 14 = 148 16 = 168	C = Clamp Collar L = 3pc Coupled	56 = 56C 14 = 140TC 18 = 180TC 21 = 210TC 25 = 250TC 28 = 280TC	S = Solid Inch Shaft (RHB - A side) T = Tapered Hollow	000.00

RHB Reducer Specifications:

- Size 38 - 168
- NEMA Clamp Collar and 3 Pc Coupled Inputs
- Foot and Flange Mounted Housing Configurations
- Standard Inch Output Shafts (A-Side)
- Tapered Hollow Bores With Twin-Tapered Bushings
- Nitrile Input and Output Lip Seals
- A1 Mounting
- Mobilgear 600 XP 220



RHB Footed Housing Stock Part Numbers BB HOUSING - STOCK

Ratio	Size	Exact Ratio	Part Number	Output RPM	Output Torque (in-lb)	Output OHL (lbf)	Mechanical Input HP (Max)			
							56C	140TC	180TC	210TC
5:1	BB 383	5.65	B3C56S00565	310	411	589	2.02			
	BB 383	5.65	B3C14S00565	310	1019	589		5.00		
	BB 383	5.65	B3C18S00565	310	1140	589			5.60	
	BB 483	7.22	B4C18S00722	242	2573	1032			9.90	
	BB 683	6.44	B6C18S00644	272	2404	2503			10.36	
	BB 883	5.54	B8C21S00554	316	5377	4505				26.94
15:1	BB 383	15.91	B3C56S01591	110	1157	617	2.02			
	BB 383	17.99	B3C14S01799	97	2213	726		3.41		
	BB 483	15.42	B4C18S01542	113	3985	1110			7.17	
	BB 883	14.04	B8C21S01404	125	12592	4512				24.90
30:1	BB 383	31.59	B3C56S03159	55	2213	926	1.94			
	BB 483	28.90	B4C14S02890	61	3985	1226		3.83		
	BB 683	39.39	B6C14S03939	44	7101	2503		5.01		
	BB 683	27.99	B6C18S02799	63	7262	2503			7.20	
	BB 883	28.50	B8C21S02850	61	14612	4512				14.24
50:1	BB 483	54.49	B4C56S05449	32	3964	1591	2.02			
	BB 483	60.08	B4C14S06008	29	3985	1591		1.84		
	BB 683	58.23	B6C14S05823	30	7262	2503		3.46		
	BB 883	58.37	B8C18S05837	30	14612	4512			6.95	
75:1	BB 483	83.25	B4C56S08325	21	3985	1878	1.33			
	BB 683	83.40	B6C14S08340	21	7262	2503		2.42		
	BB 883	84.21	B8C14S08421	21	14612	4512		4.82		
	BB 883	75.45	B8C18S07545	23	14612	4512			5.38	
	BB 883	84.21	B8C18S08421	21	14612	4512			4.82	
100:1	BB 683	99.55	B6C56S09955	18	7046	2503	1.97			
	BB 883	103.38	B8C14S10338	17	14612	4512		3.92		
150:1	BB 683	150.98	B6C56S15098	12	7262	2503	1.34			
	BB 883	120.42	B8C14S12042	15	14612	4512		3.37		
	BB 883	144.58	B8C14S14458	12	14612	4512		2.81		
200:1	BB 883	193.24	B8C56S19324	9	10992	4512	1.58			
250:1	BB 683	243.72	B6C56S24372	7	7262	2503	0.83			
	BB 883	302.68	B8C56S30268	6	11638	4512	1.07			

Stock

Notes: Footed, standard inch shaft diameter, A-side shaft, A1 mounting position, clamp collar input, 1750 rpm input speed

NOMENCLATURE PAGE RHB-5	SELECTION GEARMOTOR PAGE RHB-63	DIMENSIONS PAGE RHB-90	THERMAL RATINGS PAGE RHB-364
----------------------------	------------------------------------	---------------------------	---------------------------------

RHB Flanged Housing Stock Part Numbers BF HOUSING - STOCK

Ratio	Size	Exact Ratio	Part Number	Output RPM	Output Torque (in-lb)	Output OHL (lbf)	Mechanical Input HP (Max)			
							56C	140TC	180TC	210TC
							56C	140TC	180TC	210TC
5:1	BF 383	5.65	BF3C56T00565	310	411	589	2.02			
	BF 383	5.65	BF3C14T00565	310	1019	589		5.00		
	BF 383	5.65	BF3C18T00565	310	1140	589			5.60	
	BF 483	7.22	BF4C18T00722	242	2573	1032			9.90	
	BF 683	6.44	BF6C18T00644	272	2404	2503			10.36	
	BF 883	5.54	BF8C21T00554	316	5377	4505				26.94
10:1	BF 483	10.15	BF4L14T01015*	172	1825	1032		4.99		
12:1	BF 483	11.95	BF4C14T01195	146	2155	1110		5.01		
15:1	BF 383	15.91	BF3C56T01591	110	1157	617	2.02			
	BF 383	17.99	BF3C14T01799	63	2213	726		3.41		
	BF 483	16.79	BF4L14T01679*	104	3019	1110		4.99		
	BF 483	15.42	BF4C18T01542	113	3985	1110			7.17	
	BF 883	14.04	BF8C21T01404	125	12592	4512				24.90
20:1	BF 483	22.54	BF4C14T02254	78	3540	1149		4.36		
30:1	BF 383	31.59	BF3C56T03159	55	2213	926	1.94			
	BF 483	28.90	BF4C14T02890	61	3985	1226		3.83		
	BF 683	39.39	BF6C14T03939	44	7101	2503		5.01		
	BF 683	39.39	BF6L14T03939*	44	7101	2503		5.01		
	BF 683	27.99	BF6C18T02799	63	7262	2503			7.20	
	BF 883	28.50	BF8C21T02850	61	14612	4512				14.24
40:1	BF 483	40.60	BF4L14T04060*	43	3985	1226		2.73		
50:1	BF 483	54.49	BF4C56T05449	32	3964	1591	2.02			
	BF 483	60.08	BF4C14T06008	29	3985	1591		1.84		
	BF 683	58.23	BF6C14T05823	30	7262	2503		3.46		
	BF 883	58.37	BF8C18T05837	30	14612	4512			6.95	
75:1	BF 483	83.25	BF4C56T08325	21	3985	1878	1.33			
	BF 483	75.45	BF4L14T07545*	23	3985	1878		1.47		
	BF 683	83.40	BF6C14T08340	21	7262	2503		2.42		
	BF 883	84.21	BF8C14T08421	21	14612	4512		4.82		
	BF 883	75.45	BF8C18T07545	23	14612	4512			5.38	
	BF 883	84.21	BF8C18T08421	21	14612	4512			4.82	
100:1	BF 683	99.55	BF6C56T09955	18	7046	2503	1.97			
	BF 883	103.38	BF8C14T10338	17	14612	4512		3.92		
150:1	BF 683	150.98	BF6C56T15098	12	7262	2503	1.34			
	BF 883	120.42	BF8C14T12042	15	14612	4512		3.37		
	BF 883	144.58	BF8C14T14458	12	14612	4512		2.81		
200:1	BF 883	193.24	BF8C56T19324	9	10992	4512	1.58			
250:1	BF 683	243.72	BF6C56T24372	7	7262	2503	0.83			
	BF 883	246.13	BF8C56T24613	7	11368	4512	1.28			
	BF 883	302.68	BF8C56T30268	6	11638	4512	1.07			

Stock

Notes: Twin Tapered hollow output bore, A1 mounting position, clamp collar input, 1750 rpm input speed
 *Twin Tapered hollow output bore, A1 mounting position, 3-pc coupled input, 1750 rpm input speed
 **Twin Tapered Bushings need to be ordered separately, page RHB-350

NOMENCLATURE PAGE RHB-5	SELECTION GEARMOTOR PAGE RHB-63	DIMENSIONS PAGE RHB-90	THERMAL RATINGS PAGE RHB-364
----------------------------	------------------------------------	---------------------------	---------------------------------

RHB Footed Housing Non-Stock Part Numbers

BB Housing - Non-Stock ◆

Ratio	Size	Exact Ratio	Part Number	Output RPM	Output Torque (in-lb)	Output OHL (lbf)	Mechanical Input HP (Max)			
							180TC	210TC	250TC	280TC
6:1	BB 1483	6.43	B14C25S00643	272	10531	9207			45.49	
	BB 1483	6.43	B14C28S00643	272	21448	9207				92.65
	BB 1683	6.61	B16C25S00661	265	10831	13774			45.49	
	BB 1683	6.61	B16C28S00661	265	22060	13774				92.65
7.5:1	BB 1083	7.68	B10C21S00768	228	8348	5586		30.2		
	BB 1083	7.68	B10C25S00768	228	12540	5586			45.36	
	BB 1283	7.10	B12C21S00710	246	8378	6907		32.76		
	BB 1283	7.10	B12C25S00710	246	11635	6907			45.49	
	BB 1283	7.10	B12C28S00710	246	23697	6907				92.65
10:1	BB 1083	10.97	B10C18S01097	160	4094	5586	10.36			
	BB 1083	10.97	B10C21S01097	160	10737	5586		27.18		
	BB 1083	10.97	B10C25S01097	160	12862	5586			32.56	
	BB 1283	10.88	B12C18S01088	161	4061	6907	10.42			
	BB 1283	10.88	B12C21S01088	161	12838	6907		32.94		
	BB 1283	10.88	B12C25S01088	161	17829	6907			45.75	
	BB 1283	10.88	B12C28S01088	161	26345	6907				67.6
	BB 1483	9.77	B14C25S00977	179	16009	10246			45.49	
	BB 1483	9.77	B14C28S00977	179	32606	10246				92.66
	BB 1683	10.17	B16C21S01017	172	12003	15278		32.76		
	BB 1683	10.17	B16C25S01017	172	16668	15278			45.49	
BB 1683	10.17	B16C28S01017	172	33948	15278				92.65	
15:1	BB 1083	16.75	B10C18S01675	104	6253	5586	10.36			
	BB 1083	16.75	B10C21S01675	104	17279	5586		28.64		
	BB 1083	16.75	B10C25S01675	104	22429	5586			37.17	
	BB 1283	15.13	B12C21S01513	116	17845	6907		32.76		
	BB 1283	15.13	B12C25S01513	116	24782	6907			45.49	
	BB 1283	15.13	B12C28S01513	116	36876	6907				67.69
	BB 1483	15.05	B14C21S01505	116	17760	11162		32.76		
	BB 1483	15.05	B14C25S01505	116	24664	11162			45.49	
	BB 1483	15.05	B14C28S01505	116	50233	11162				92.65
	BB 1683	16.21	B16C25S01621	108	26561	16566			45.49	
	BB 1683	16.21	B16C28S01621	108	54096	16566				92.65

◆ - Build to Order

Notes: Footed, standard inch shaft diameter, A-side shaft, A1 mounted position, clamp collar input, 1750 RPM input speed

NOMENCLATURE PAGE RHB-5	SELECTION GEARMOTOR PAGE RHB-63	DIMENSIONS PAGE RHB-90	THERMAL RATINGS PAGE RHB-364
----------------------------	------------------------------------	---------------------------	---------------------------------

QUANTIS PART NUMBERS



RHB Footed Housing Non-Stock Part Numbers BB Housing - Non-Stock ♦ (continued)

Ratio	Size	Exact Ratio	Part Number	Output RPM	Output Torque (in-lb)	Output OHL (lbf)	Mechanical Input HP (Max)			
							180TC	210TC	250TC	280TC
20:1	BB 1083	19.63	B10C18S01963	90	7327	5586	10.51			
	BB 1083	19.63	B10C21S01963	90	19214	5586		27.55		
	BB 1083	19.63	B10C25S01963	90	23527	5586			33.74	
	BB 1283	19.92	B12C18S01992	88	7435	6907	10.36			
	BB 1283	19.92	B12C21S01992	88	23503	6907		32.76		
	BB 1283	19.92	B12C25S01992	88	32639	6907			45.49	
	BB 1283	19.92	B12C28S01992	88	40048	6907				55.82
	BB 1483	19.84	B14C21S01984	88	23411	11951		32.76		
	BB 1483	19.84	B14C25S01984	88	31142	11951			43.58	
	BB 1483	19.84	B14C28S01984	88	62412	11951				87.33
	BB 1683	21.90	B16C21S02190	80	25837	17607		32.76		
BB 1683	21.90	B16C25S02190	80	35880	17607			45.49		
BB 1683	21.90	B16C28S02190	80	72368	17607				91.75	
25:1	BB 1083	26.48	B10C18S02648	66	9882	5586	10.36			
	BB 1083	26.48	B10C21S02648	66	22967	5586		24.08		
	BB 1083	26.48	B10C25S02648	66	24813	5586			26.02	
	BB 1283	27.02	B12C18S02702	65	10083	6907	10.36			
	BB 1283	27.02	B12C21S02702	65	31010	6907		31.87		
	BB 1283	27.02	B12C25S02702	65	39336	6907			40.43	
	BB 1283	27.02	B12C28S02702	65	41016	6907				42.16
	BB 1483	26.58	B14C18S02658	66	9922	11951	10.36			
	BB 1483	26.58	B14C21S02658	66	29258	11951		30.56		
BB 1483	26.58	B14C25S02658	66	36474	11951			38.1		
BB 1483	26.58	B14C28S02658	66	68393	11951				71.44	
30:1	BB 1283	30.61	B12C18S03061	57	11426	6907	10.36			
	BB 1283	30.61	B12C21S03061	57	33693	6907		30.56		
	BB 1283	30.61	B12C25S03061	57	41391	6907			37.54	
	BB 1283	30.61	B12C28S03061	57	41391	6907				37.54
	BB 1483	31.10	B14C25S03110	56	50954	12561			45.49	
	BB 1483	31.10	B14C28S03110	56	70848	12561				63.25
	BB 1683	32.53	B16C21S03253	54	35803	19423		30.56		
	BB 1683	32.53	B16C25S03253	54	44634	19423			38.1	
BB 1683	32.53	B16C28S03253	54	94984	19423				81.07	
35:1	BB 1083	36.44	B10C21S03644	48	25251	5586		19.24		
	BB 1083	36.44	B10C25S03644	48	25251	5586			19.24	
	BB 1283	35.92	B12C18S03592	49	13408	6907	10.36			
	BB 1283	35.92	B12C21S03592	49	37263	6907		28.8		
	BB 1283	35.92	B12C25S03592	49	41623	6907			32.17	
	BB 1283	35.92	B12C28S03592	49	41623	6907				32.17

♦ - Build to Order

Notes: Footed, standard inch shaft diameter, A-side shaft, A1 mounted position, clamp collar input, 1750 RPM input speed

NOMENCLATURE PAGE RHB-5	SELECTION GEARMOTOR PAGE RHB-63	DIMENSIONS PAGE RHB-90	THERMAL RATINGS PAGE RHB-364
----------------------------	------------------------------------	---------------------------	---------------------------------

RHB Finished Goods Part Numbers BB Housing - Non-Stock ♦ (continued)

Ratio	Size	Exact Ratio	Part Number	Output RPM	Output Torque (in-lb)	Output OHL (lbf)	Mechanical Input HP (Max)			
							180TC	210TC	250TC	280TC
40:1	BB 1083	44.44	B10C18S04444	39	16587	5586	10.36			
	BB 1083	44.44	B10C21S04444	39	26568	5586		16.6		
	BB 1083	44.44	B10C25S04444	39	26568	5586			16.6	
	BB 1283	41.38	B12C21S04138	42	41623	6907		27.93		
	BB 1283	41.38	B12C25S04138	42	41623	6907			27.93	
	BB 1283	41.38	B12C28S04138	42	41623	6907				27.93
	BB 1483	41.38	B14C25S04138	42	62775	12561			42.12	
	BB 1483	41.38	B14C28S04138	42	70848	12561				47.54
	BB 1683	45.15	B16C25S04515	39	73970	18949			45.49	
BB 1683	45.15	B16C28S04515	39	119556	18949				73.53	
50:1	BB 1083	52.08	B10C18S05208	34	19436	5586	10.36			
	BB 1083	52.08	B10C21S05208	34	26568	5586		14.17		
	BB 1083	52.08	B10C25S05208	34	26568	5586			14.17	
	BB 1283	48.14	B12C21S04814	36	41623	6907		24.01		
	BB 1283	48.14	B12C25S04814	36	41623	6907			24.01	
	BB 1283	48.14	B12C28S04814	36	41623	6907				24.01
	BB 1283	53.36	B12C21S05336	33	41623	6907		21.66		
	BB 1283	53.36	B12C25S05336	33	41623	6907			21.66	
	BB 1283	53.36	B12C28S05336	33	41623	6907				21.66
	BB 1683	53.18	B16C21S05318	33	62733	18949		32.76		
	BB 1683	53.18	B16C25S05318	33	87120	18949			45.49	
BB 1683	53.18	B16C28S05318	33	119556	18949				62.43	
60:1	BB 1083	61.22	B10C18S06122	29	22847	5586	10.36			
	BB 1083	61.22	B10C21S06122	29	26568	5586		12.05		
	BB 1083	61.22	B10C25S06122	29	26568	5586			12.05	
	BB 1483	56.57	B14C21S05657	31	66736	13027		32.76		
	BB 1483	56.57	B14C25S05657	31	70848	13027			34.78	
	BB 1483	56.57	B14C28S05657	31	70848	13027				34.78
75:1	BB 1083	70.24	B10C18S07024	25	26213	5586	10.36			
	BB 1083	70.24	B10C21S07024	25	26568	5586		10.5		
	BB 1083	70.24	B10C25S07024	25	26568	5586			10.5	
	BB 1483	73.80	B14C18S07380	24	27544	13027	10.36			
	BB 1483	73.80	B14C21S07380	24	70848	13027		26.66		
	BB 1483	73.80	B14C25S07380	24	70848	13027			26.66	
	BB 1483	73.80	B14C28S07380	24	70848	13027				26.66
80:1	BB 1283	85.98	B12C18S08598	20	32091	6907	10.36			
	BB 1283	85.98	B12C21S08598	20	41623	6907		13.44		
	BB 1283	85.98	B12C25S08598	20	41623	6907			13.44	
	BB 1283	85.98	B12C28S08598	20	41623	6907				13.44
	BB 1683	79.49	B16C21S07949	22	91244	18949		31.87		
	BB 1683	79.49	B16C25S07949	22	115740	18949			40.43	
	BB 1683	79.49	B16C28S07949	22	119556	18949				41.76

♦ - Build to Order

Notes: Footed, standard inch shaft diameter, A-side shaft, A1 mounted position, clamp collar input, 1750 RPM input speed

NOMENCLATURE PAGE RHB-5	SELECTION GEARMOTOR PAGE RHB-63	DIMENSIONS PAGE RHB-90	THERMAL RATINGS PAGE RHB-364
----------------------------	------------------------------------	---------------------------	---------------------------------

RHB Finished Goods Part Numbers BB Housing - Non-Stock ♦ (continued)

Ratio	Size	Exact Ratio	Part Number	Output RPM	Output Torque (in-lb)	Output OHL (lbf)	Mechanical Input HP (Max)			
							180TC	210TC	250TC	280TC
90:1	BB 1083	89.85	B10C18S08985	19	26568	5586	8.21			
	BB 1083	89.85	B10C21S08985	19	26568	5586		8.21		
	BB 1083	89.85	B10C25S08985	19	26568	5586			8.21	
	BB 1283	97.44	B12C18S09744	18	36365	6907	10.36			
	BB 1283	97.44	B12C21S09744	18	41623	6907		11.86		
	BB 1283	97.44	B12C25S09744	18	41623	6907			11.86	
100:1	BB 1283	97.44	B12C28S09744	18	41623	6907				11.86
	BB 1083	108.52	B10C18S10852	16	26568	5586	6.8			
	BB 1083	108.52	B10C21S10852	16	26568	5586		6.8		
	BB 1083	108.52	B10C25S10852	16	26568	5586			6.8	
	BB 1483	101.53	B14C18S10153	17	37894	13027	10.36			
	BB 1483	101.53	B14C21S10153	17	70848	13027		19.37		
	BB 1483	101.53	B14C25S10153	17	70848	13027			19.37	
	BB 1483	101.53	B14C28S10153	17	70848	13027				19.37
125:1	BB 1683	104.18	B16C21S10418	17	108058	18949		28.8		
	BB 1683	104.18	B16C25S10418	17	119556	18949			31.87	
	BB 1683	104.18	B16C28S10418	17	119556	18949				31.87
	BB 1083	128.86	B10C18S12886	14	26568	5586	5.72			
	BB 1083	128.86	B10C21S12886	14	26568	5586		5.72		
	BB 1083	128.86	B10C25S12886	14	26568	5586			5.72	
	BB 1283	114.34	B12C18S11434	15	41623	6907	10.11			
	BB 1283	114.34	B12C21S11434	15	41623	6907		10.11		
150:1	BB 1283	114.34	B12C25S11434	15	41623	6907			10.11	
	BB 1283	114.34	B12C28S11434	15	41623	6907				10.11
	BB 1283	136.07	B12C18S13607	13	41623	6907	8.49			
	BB 1283	136.07	B12C21S13607	13	41623	6907		8.49		
	BB 1283	136.07	B12C25S13607	13	41623	6907			8.49	
	BB 1283	136.07	B12C28S13607	13	41623	6907				8.49
	BB 1483	142.41	B14C18S14241	12	51758	13027	10.09			
	BB 1483	142.41	B14C21S14241	12	70848	13027		13.81		
175:1	BB 1483	142.41	B14C25S14241	12	70848	13027			13.81	
	BB 1483	142.41	B14C28S14241	12	70848	13027				13.81
	BB 1683	150.36	B16C21S15036	12	119556	18949		22.08		
	BB 1683	150.36	B16C25S15036	12	119556	18949			22.08	
	BB 1683	150.36	B16C28S15036	12	119556	18949				22.08
	BB 1083	163.51	B10C18S16351	11	26568	5586	4.51			
175:1	BB 1083	163.51	B10C21S16351	11	26568	5586		4.51		
	BB 1283	175.80	B12C18S17580	10	41623	6907	6.57			
	BB 1283	175.80	B12C21S17580	10	41623	6907		6.57		
	BB 1283	175.80	B12C25S17580	10	41623	6907			6.57	

♦ - Build to Order

Notes: Footed, standard inch shaft diameter, A-side shaft, A1 mounted position, clamp collar input, 1750 RPM input speed

NOMENCLATURE PAGE RHB-5	SELECTION GEARMOTOR PAGE RHB-63	DIMENSIONS PAGE RHB-90	THERMAL RATINGS PAGE RHB-364
----------------------------	------------------------------------	---------------------------	---------------------------------

RHB Finished Goods Part Numbers BB Housing - Non-Stock ♦ (continued)

Ratio	Size	Exact Ratio	Part Number	Output RPM	Output Torque (in-lb)	Output OHL (lbf)	Mechanical Input HP (Max)			
							180TC	210TC	250TC	280TC
200:1	BB 1083	201.11	B10C18S20111	9	41623	5586	3.67			
	BB 1283	204.18	B12C18S20418	9	41623	6907	5.66			
	BB 1283	204.18	B12C21S20418	9	41623	6907		5.66		
	BB 1483	204.38	B14C18S20438	9	62906	13027	8.55			
	BB 1483	204.38	B14C21S20438	9	70848	13027		9.63		
	BB 1483	204.38	B14C25S20438	9	70848	13027			9.63	
	BB 1683	199.54	B16C21S19954	9	119556	18949		16.64		
BB 1683	199.54	B16C25S19954	9	119556	18949			16.64		
250:1	BB 1083	243.47	B10C18S24347	7	26553	5586	3.03			
	BB 1283	242.02	B12C18S24202	7	41623	6907	4.78			
	BB 1283	242.02	B12C21S24202	7	41623	6907		4.78		
	BB 1483	251.55	B14C18S25155	7	64739	13027	7.13			
	BB 1483	251.55	B14C21S25155	7	70848	13027		7.81		
	BB 1683	226.15	B16C21S22615	8	119556	18949		14.68		
300:1	BB 1283	295.38	B12C18S29538	6	41623	6907	3.91			
	BB 1483	306.08	B14C18S30608	6	66221	13027	6.01			
	BB 1683	287.95	B16C21S28795	6	104886	18949		10.11		

♦ - Build to Order

Notes: Footed, standard inch shaft diameter, A-side shaft, A1 mounted position, clamp collar input, 1750 RPM input speed

NOMENCLATURE PAGE RHB-5	SELECTION GEARMOTOR PAGE RHB-63	DIMENSIONS PAGE RHB-90	THERMAL RATINGS PAGE RHB-364
----------------------------	------------------------------------	---------------------------	---------------------------------

RHB Flanged Housing Non-Stock Part Numbers

BF Housing - Non-Stock ◆

Ratio	Size	Exact Ratio	Part Number	Output RPM	Output Torque (in-lb)	Output OHL (lbf)	Mechanical Input HP (Max)			
							180TC	210TC	250TC	280TC
6:1	BF 1483	6.43	BF14C25T00643	272	10531	9207			45.49	
	BF 1483	6.43	BF14C28T00643	272	21448	9207				92.65
	BF 1683	6.61	BF16C25T00661	265	10831	13774			45.49	
	BF 1683	6.61	BF16C28T00661	265	22060	13774				92.65
7.5:1	BF 1083	7.68	BF10C21T00768	228	8348	5586		30.2		
	BF 1083	7.68	BF10C25T00768	228	12540	5586			45.36	
	BF 1283	7.10	BF12C21T00710	246	8378	6907		32.76		
	BF 1283	7.10	BF12C25T00710	246	11635	6907			45.49	
	BF 1283	7.10	BF12C28T00710	246	23697	6907				92.65
10:1	BF 1083	10.97	BF10C18T01097	160	4094	5586	10.36			
	BF 1083	10.97	BF10C21T01097	160	10737	5586		27.18		
	BF 1083	10.97	BF10C25T01097	160	12862	5586			32.56	
	BF 1283	10.88	BF12C18T01088	161	4061	6907	10.42			
	BF 1283	10.88	BF12C21T01088	161	12838	6907		32.94		
	BF 1283	10.88	BF12C25T01088	161	17829	6907			45.75	
	BF 1283	10.88	BF12C28T01088	161	26345	6907				67.6
	BF 1483	9.77	BF14C25T00977	179	16009	10246			45.49	
	BF 1483	9.77	BF14C28T00977	179	32606	10246				92.66
	BF 1683	10.17	BF16C21T01017	172	12003	15278		32.76		
BF 1683	10.17	BF16C25T01017	172	16668	15278			45.49		
BF 1683	10.17	BF16C28T01017	172	33948	15278				92.65	
15:1	BF 1083	16.75	BF10C18T01675	104	6253	5586	10.36			
	BF 1083	16.75	BF10C21T01675	104	17279	5586		28.64		
	BF 1083	16.75	BF10C25T01675	104	22429	5586			37.17	
	BF 1283	15.13	BF12C21T01513	116	17845	6907		32.76		
	BF 1283	15.13	BF12C25T01513	116	24782	6907			45.49	
	BF 1283	15.13	BF12C28T01513	116	36876	6907				67.69
	BF 1483	15.05	BF14C21T01505	116	17760	11162		32.76		
	BF 1483	15.05	BF14C25T01505	116	24664	11162			45.49	
	BF 1483	15.05	BF14C28T01505	116	50233	11162				92.65
	BF 1683	16.21	BF16C25T01621	108	26561	16566			45.49	
BF 1683	16.21	BF16C28T01621	108	54096	16566				92.65	

◆ - Build to Order

Notes: Twin Tapered Hollow Output Bore, A1 Mounting Position, Clamp Collar Input, 1750 RPM Input Speed

Twin Tapered Bushings Need To Be Ordered Separately

NOMENCLATURE PAGE RHB-5	SELECTION GEARMOTOR PAGE RHB-63	DIMENSIONS PAGE RHB-90	THERMAL RATINGS PAGE RHB-364
----------------------------	------------------------------------	---------------------------	---------------------------------

RHB Flanged Housing Non-Stock Part Numbers BF Housing - Non-Stock ♦ (continued)

Ratio	Size	Exact Ratio	Part Number	Output RPM	Output Torque (in-lb)	Output OHL (lbf)	Mechanical Input HP (Max)			
							180TC	210TC	250TC	280TC
20:1	BF 1083	19.63	BF10C18T01963	90	7327	5586	10.51			
	BF 1083	19.63	BF10C21T01963	90	19214	5586		27.55		
	BF 1083	19.63	BF10C25T01963	90	23527	5586			33.74	
	BF 1283	19.92	BF12C18T01992	88	7435	6907	10.36			
	BF 1283	19.92	BF12C21T01992	88	23503	6907		32.76		
	BF 1283	19.92	BF12C25T01992	88	32639	6907			45.49	
	BF 1283	19.92	BF12C28T01992	88	40048	6907				55.82
	BF 1483	19.84	BF14C21T01984	88	23411	11951		32.76		
	BF 1483	19.84	BF14C25T01984	88	31142	11951			43.58	
	BF 1483	19.84	BF14C28T01984	88	62412	11951				87.33
	BF 1683	21.90	BF16C21T02190	80	25837	17607		32.76		
	BF 1683	21.90	BF16C25T02190	80	35880	17607			45.49	
BF 1683	21.90	BF16C28T02190	80	72368	17607				91.75	
25:1	BF 1083	26.48	BF10C18T02648	66	9882	5586	10.36			
	BF 1083	26.48	BF10C21T02648	66	22967	5586		24.08		
	BF 1083	26.48	BF10C25T02648	66	24813	5586			26.02	
	BF 1283	27.02	BF12C18T02702	65	10083	6907	10.36			
	BF 1283	27.02	BF12C21T02702	65	31010	6907		31.87		
	BF 1283	27.02	BF12C25T02702	65	39336	6907			40.43	
	BF 1283	27.02	BF12C28T02702	65	41016	6907				42.16
	BF 1483	26.58	BF14C18T02658	66	9922	11951	10.36			
	BF 1483	26.58	BF14C21T02658	66	29258	11951		30.56		
	BF 1483	26.58	BF14C25T02658	66	36474	11951			38.1	
	BF 1483	26.58	BF14C28T02658	66	68393	11951				71.44
	30:1	BF 1283	30.61	BF12C18T03061	57	11426	6907	10.36		
BF 1283		30.61	BF12C21T03061	57	33693	6907		30.56		
BF 1283		30.61	BF12C25T03061	57	41391	6907			37.54	
BF 1283		30.61	BF12C28T03061	57	41391	6907				37.54
BF 1483		31.10	BF14C25T03110	56	50954	12561			45.49	
BF 1483		31.10	BF14C28T03110	56	70848	12561				63.25
BF 1683		32.53	BF16C21T03253	54	35803	19423		30.56		
BF 1683		32.53	BF16C25T03253	54	44634	19423			38.1	
BF 1683	32.53	BF16C28T03253	54	94984	19423				81.07	
35:1	BF 1083	36.44	BF10C21T03644	48	25251	5586		19.24		
	BF 1083	36.44	BF10C25T03644	48	25251	5586			19.24	
	BF 1283	35.92	BF12C18T03592	49	13408	6907	10.36			
	BF 1283	35.92	BF12C21T03592	49	37263	6907		28.8		
	BF 1283	35.92	BF12C25T03592	49	41623	6907			32.17	
	BF 1283	35.92	BF12C28T03592	49	41623	6907				32.17

♦ - Build to Order

Notes: Twin Tapered Hollow Output Bore, A1 Mounting Position, Clamp Collar Input, 1750 RPM Input Speed
Twin Tapered Bushings Need To Be Ordered Separately

NOMENCLATURE PAGE RHB-5	SELECTION GEARMOTOR PAGE RHB-63	DIMENSIONS PAGE RHB-90	THERMAL RATINGS PAGE RHB-364
----------------------------	------------------------------------	---------------------------	---------------------------------

RHB Flanged Housing Non-Stock Part Numbers BF Housing - Non-Stock ♦ (continued)

Ratio	Size	Exact Ratio	Part Number	Output RPM	Output Torque (in-lb)	Output OHL (lbf)	Mechanical Input HP (Max)			
							180TC	210TC	250TC	280TC
40:1	BF 1083	44.44	BF10C18T04444	39	16587	5586	10.36			
	BF 1083	44.44	BF10C21T04444	39	26568	5586		16.6		
	BF 1083	44.44	BF10C25T04444	39	26568	5586			16.6	
	BF 1283	41.38	BF12C21T04138	42	41623	6907		27.93		
	BF 1283	41.38	BF12C25T04138	42	41623	6907			27.93	
	BF 1283	41.38	BF12C28T04138	42	41623	6907				27.93
	BF 1483	41.38	BF14C25T04138	42	62775	12561			42.12	
	BF 1483	41.38	BF14C28T04138	42	70848	12561				47.54
50:1	BF 1683	45.15	BF16C25T04515	39	73970	18949			45.49	
	BF 1683	45.15	BF16C28T04515	39	119556	18949				73.53
	BF 1083	52.08	BF10C18T05208	34	19436	5586	10.36			
	BF 1083	52.08	BF10C21T05208	34	26568	5586		14.17		
	BF 1083	52.08	BF10C25T05208	34	26568	5586			14.17	
	BF 1283	48.14	BF12C21T04814	36	41623	6907		24.01		
	BF 1283	48.14	BF12C25T04814	36	41623	6907			24.01	
	BF 1283	48.14	BF12C28T04814	36	41623	6907				24.01
60:1	BF 1283	53.36	BF12C21T05336	33	41623	6907		21.66		
	BF 1283	53.36	BF12C25T05336	33	41623	6907			21.66	
	BF 1283	53.36	BF12C28T05336	33	41623	6907				21.66
	BF 1683	53.18	BF16C21T05318	33	62733	18949		32.76		
	BF 1683	53.18	BF16C25T05318	33	87120	18949			45.49	
	BF 1683	53.18	BF16C28T05318	33	119556	18949				62.43
	BF 1083	61.22	BF10C18T06122	29	22847	5586	10.36			
	BF 1083	61.22	BF10C21T06122	29	26568	5586		12.05		
75:1	BF 1083	61.22	BF10C25T06122	29	26568	5586			12.05	
	BF 1483	56.57	BF14C21T05657	31	66736	13027		32.76		
	BF 1483	56.57	BF14C25T05657	31	70848	13027			34.78	
	BF 1483	56.57	BF14C28T05657	31	70848	13027				34.78
	BF 1083	70.24	BF10C18T07024	25	26213	5586	10.36			
80:1	BF 1083	70.24	BF10C21T07024	25	26568	5586		10.5		
	BF 1083	70.24	BF10C25T07024	25	26568	5586			10.5	
	BF 1483	73.80	BF14C18T07380	24	27544	13027	10.36			
	BF 1483	73.80	BF14C21T07380	24	70848	13027		26.66		
	BF 1483	73.80	BF14C25T07380	24	70848	13027			26.66	
	BF 1483	73.80	BF14C28T07380	24	70848	13027				26.66
80:1	BF 1283	85.98	BF12C18T08598	20	32091	6907	10.36			
	BF 1283	85.98	BF12C21T08598	20	41623	6907		13.44		
	BF 1283	85.98	BF12C25T08598	20	41623	6907			13.44	
	BF 1283	85.98	BF12C28T08598	20	41623	6907				13.44
	BF 1683	79.49	BF16C21T07949	22	91244	18949		31.87		
	BF 1683	79.49	BF16C25T07949	22	115740	18949			40.43	
	BF 1683	79.49	BF16C28T07949	22	119556	18949				41.76

♦ - Build to Order

Notes: Twin Tapered Hollow Output Bore, A1 Mounting Position, Clamp Collar Input, 1750 RPM Input Speed

Twin Tapered Bushings Need To Be Ordered Separately

NOMENCLATURE PAGE RHB-5	SELECTION GEARMOTOR PAGE RHB-63	DIMENSIONS PAGE RHB-90	THERMAL RATINGS PAGE RHB-364
----------------------------	------------------------------------	---------------------------	---------------------------------

RHB Flanged Housing Non-Stock Part Numbers BF Housing - Non-Stock ♦ (continued)

Ratio	Size	Exact Ratio	Part Number	Output RPM	Output Torque (in-lb)	Output OHL (lbf)	Mechanical Input HP (Max)			
							180TC	210TC	250TC	280TC
90:1	BF 1083	89.85	BF10C18T08985	19	26568	5586	8.21			
	BF 1083	89.85	BF10C21T08985	19	26568	5586		8.21		
	BF 1083	89.85	BF10C25T08985	19	26568	5586			8.21	
	BF 1283	97.44	BF12C18T09744	18	36365	6907	10.36			
	BF 1283	97.44	BF12C21T09744	18	41623	6907		11.86		
	BF 1283	97.44	BF12C25T09744	18	41623	6907			11.86	
100:1	BF 1283	97.44	BF12C28T09744	18	41623	6907				11.86
	BF 1083	108.52	BF10C18T10852	16	26568	5586	6.8			
	BF 1083	108.52	BF10C21T10852	16	26568	5586		6.8		
	BF 1083	108.52	BF10C25T10852	16	26568	5586			6.8	
	BF 1483	101.53	BF14C18T10153	17	37894	13027	10.36			
	BF 1483	101.53	BF14C21T10153	17	70848	13027		19.37		
	BF 1483	101.53	BF14C25T10153	17	70848	13027			19.37	
	BF 1483	101.53	BF14C28T10153	17	70848	13027				19.37
	BF 1683	104.18	BF16C21T10418	17	108058	18949		28.8		
125:1	BF 1683	104.18	BF16C25T10418	17	119556	18949			31.87	
	BF 1683	104.18	BF16C28T10418	17	119556	18949				31.87
	BF 1083	128.86	BF10C18T12886	14	26568	5586	5.72			
	BF 1083	128.86	BF10C21T12886	14	26568	5586		5.72		
	BF 1083	128.86	BF10C25T12886	14	26568	5586			5.72	
	BF 1283	114.34	BF12C18T11434	15	41623	6907	10.11			
	BF 1283	114.34	BF12C21T11434	15	41623	6907		10.11		
	BF 1283	114.34	BF12C25T11434	15	41623	6907			10.11	
	BF 1283	114.34	BF12C28T11434	15	41623	6907				10.11
150:1	BF 1283	136.07	BF12C18T13607	13	41623	6907	8.49			
	BF 1283	136.07	BF12C21T13607	13	41623	6907		8.49		
	BF 1283	136.07	BF12C25T13607	13	41623	6907			8.49	
	BF 1283	136.07	BF12C28T13607	13	41623	6907				8.49
	BF 1483	142.41	BF14C18T14241	12	51758	13027	10.09			
	BF 1483	142.41	BF14C21T14241	12	70848	13027		13.81		
	BF 1483	142.41	BF14C25T14241	12	70848	13027			13.81	
175:1	BF 1483	142.41	BF14C28T14241	12	70848	13027				13.81
	BF 1683	150.36	BF16C21T15036	12	119556	18949		22.08		
	BF 1683	150.36	BF16C25T15036	12	119556	18949			22.08	
	BF 1683	150.36	BF16C28T15036	12	119556	18949				22.08
	BF 1083	163.51	BF10C18T16351	11	26568	5586	4.51			
175:1	BF 1083	163.51	BF10C21T16351	11	26568	5586		4.51		
	BF 1283	175.80	BF12C18T17580	10	41623	6907	6.57			
	BF 1283	175.80	BF12C21T17580	10	41623	6907		6.57		
	BF 1283	175.80	BF12C25T17580	10	41623	6907			6.57	
	BF 1283	175.80	BF12C28T17580	10	41623	6907				6.57

♦ - Build to Order

Notes: Twin Tapered Hollow Output Bore, A1 Mounting Position, Clamp Collar Input, 1750 RPM Input Speed

Twin Tapered Bushings Need To Be Ordered Separately

NOMENCLATURE PAGE RHB-5	SELECTION GEARMOTOR PAGE RHB-63	DIMENSIONS PAGE RHB-90	THERMAL RATINGS PAGE RHB-364
----------------------------	------------------------------------	---------------------------	---------------------------------

QUANTIS PART NUMBERS



QUANTIS

QUANTIS GOLD

ILH

RHB

MSM

RHB Flanged Housing Non-Stock Part Numbers

BF Housing - Non-Stock ♦ (continued)

Ratio	Size	Exact Ratio	Part Number	Output RPM	Output Torque (in-lb)	Output OHL (lbf)	Mechanical Input HP (Max)			
							180TC	210TC	250TC	280TC
200:1	BF 1083	201.11	BF10C18T20111	9	41623	5586	3.67			
	BF 1283	204.18	BF12C18T20418	9	41623	6907	5.66			
	BF 1283	204.18	BF12C21T20418	9	41623	6907		5.66		
	BF 1483	204.38	BF14C18T20438	9	62906	13027	8.55			
	BF 1483	204.38	BF14C21T20438	9	70848	13027		9.63		
	BF 1483	204.38	BF14C25T20438	9	70848	13027			9.63	
	BF 1683	199.54	BF16C21T19954	9	119556	18949		16.64		
	BF 1683	199.54	BF16C25T19954	9	119556	18949			16.64	
250:1	BF 1083	243.47	BF10C18T24347	7	26553	5586	3.03			
	BF 1283	242.02	BF12C18T24202	7	41623	6907	4.78			
	BF 1283	242.02	BF12C21T24202	7	41623	6907		4.78		
	BF 1483	251.55	BF14C18T25155	7	64739	13027	7.13			
	BF 1483	251.55	BF14C21T25155	7	70848	13027		7.81		
	BF 1683	226.15	BF16C21T22615	8	119556	18949		14.68		
300:1	BF 1283	295.38	BF12C18T29538	6	41623	6907	3.91			
	BF 1483	306.08	BF14C18T30608	6	66221	13027	6.01			
	BF 1683	287.95	BF16C21T28795	6	104886	18949		10.11		

♦ - Build to Order

Notes: Twin Tapered Hollow Output Bore, A1 Mounting Position, Clamp Collar Input, 1750 RPM Input Speed

Twin Tapered Bushings Need To Be Ordered Separately

NOMENCLATURE PAGE RHB-5	SELECTION GEARMOTOR PAGE RHB-63	DIMENSIONS PAGE RHB-90	THERMAL RATINGS PAGE RHB-364
----------------------------	------------------------------------	---------------------------	---------------------------------

RIGHT ANGLE HELICAL BEVEL INTEGRAL GEARMOTORS (RHB) - 1750 RPM 60 Hz

INPUT POWER (HP)	SPEED (RPM)	RATIO	OHL (LBF) (B)	OUTPUT TORQUE (LB-IN)	GEAR STAGE	SERVICE FACTOR (SF)	CATALOG NUMBER
0.25	65	26.90	726	242	3	7.03	B_383GH71C4
	55	31.59	926	284	3	7.79	
	48	36.69	926	330	3	6.71	
	44	39.73	926	358	3	6.18	
	39	44.94	1150	405	3	5.46	
	35	49.38	1150	445	3	4.97	
	32	54.47	1150	490	3	4.52	
	29	60.33	1150	543	3	4.08	
	26	67.18	1150	605	3	3.66	
	23	77.09	1411	694	3	3.19	
	21	85.33	1411	768	3	2.88	
	18	97.05	1411	874	3	2.53	
	16	110.75	1411	997	3	2.22	
	14	124.78	1411	1123	3	1.97	
	13	139.43	1411	1255	3	1.76	
	11	159.04	1411	1432	3	1.55	
	10	179.13	1411	1613	3	1.37	
	64	27.55	1149	248	3	7.35	B_483GH71C4
	29	60.08	1591	541	3	7.36	
	26	66.60	1591	600	3	6.64	
	23	75.45	1878	679	3	5.87	
	21	83.25	1878	750	3	5.31	
	19	94.12	1878	847	3	4.70	
	16	107.47	1878	968	3	4.11	
	14	122.19	1878	1100	3	3.62	
	13	130.78	1878	1177	3	3.38	
	12	150.76	1878	1357	3	2.94	
	10	169.53	1878	1526	3	2.61	
	16	109.64	2503	987	3	7.29	B_683GH71C4
	14	126.09	2503	1135	3	6.39	
	13	136.60	2503	1230	3	5.90	
	12	150.98	2503	1359	3	5.34	
	10	176.14	2503	1586	3	4.58	
	9	196.07	2503	1765	3	4.11	
	8	215.68	2503	1942	3	3.74	
	7	243.72	2503	2194	3	3.31	
10	176.50	4512	1589	3	6.81	B_883GH71C4	
9	193.24	4512	1740	3	6.31		
8	215.25	4512	1938	3	5.76		
7	246.13	4512	2216	3	5.13		
6	272.95	4512	2458	3	4.68		
6	302.68	4512	2725	3	4.27		
0.33	310	5.65	589	67	3	6.13	B_383GH71D4
	281	6.22	589	74	3	6.11	

(B) See Footnote page on inside back cover

NOMENCLATURE PAGE RHB-5	DIMENSIONS PAGE RHB-66	THERMAL RATINGS PAGE RHB-364	MOTOR INFORMATION PAGE ENGINEERING-14
----------------------------	---------------------------	---------------------------------	--

RIGHT ANGLE HELICAL BEVEL INTEGRAL GEARMOTORS (RHB) - 1750 RPM 60 Hz

INPUT POWER (HP)	SPEED (RPM)	RATIO	OHL (LBF) (B)	OUTPUT TORQUE (LB-IN)	GEAR STAGE	SERVICE FACTOR (SF)	CATALOG NUMBER	
0.33 (CONT.)	242	7.22	620	86	3	6.11	B_383GH71D4	
	224	7.82	620	93	3	6.11		
	198	8.85	620	105	3	6.12		
	180	9.72	620	116	3	6.09		
	163	10.72	620	127	3	6.14		
	152	11.50	617	137	3	6.10		
	138	12.65	617	150	3	6.13		
	119	14.69	617	175	3	6.10		
	110	15.91	617	189	3	6.12		
	97	17.99	726	214	3	6.11		
	88	19.78	726	235	3	6.12		
	80	21.81	726	259	3	6.12		
	72	24.16	726	287	3	5.74		
	65	26.90	726	320	3	5.32		
	61	28.72	926	341	3	6.12		
	55	31.59	926	375	3	5.90		
	48	36.69	926	436	3	5.08		
	44	39.73	926	472	3	4.69		
	39	44.94	1150	534	3	4.14		
	35	49.38	1150	587	3	3.77		
	32	54.47	1150	647	3	3.42		
	29	60.33	1150	717	3	3.09		
	26	67.18	1150	798	3	2.77		
	23	77.09	1141	916	3	2.42		
	21	85.33	1141	1014	3	2.18		
	18	97.05	1141	1153	3	1.92		
	16	110.75	1141	1316	3	1.68		
	14	124.78	1141	1483	3	1.49		
	13	139.43	1141	1657	3	1.34		
	11	159.04	1141	1890	3	1.17		
	10	179.13	1141	2129	3	1.04		
	188	9.32	1032	111	3	6.10		B_483GH71D4
	172	10.15	1032	121	3	6.10		
	113	15.42	1110	183	3	6.13		
	104	16.79	1110	200	3	6.10		
	93	18.78	1149	223	3	6.12		
85	20.54	1149	244	3	6.12			
78	22.54	1149	268	3	6.11			
70	24.85	1149	295	3	6.01			
64	27.55	1149	327	3	5.57			
61	28.90	1266	343	3	6.13			
52	33.60	1266	399	3	6.12			
47	37.28	1266	443	3	6.12			
43	40.60	1266	483	3	6.11			

(B) See Footnote page on inside back cover

NOMENCLATURE PAGE RHB-5	DIMENSIONS PAGE RHB-96	THERMAL RATINGS PAGE RHB-364	MOTOR INFORMATION PAGE ENGINEERING-14
----------------------------	---------------------------	---------------------------------	--

RIGHT ANGLE HELICAL BEVEL INTEGRAL GEARMOTORS (RHB) - 1750 RPM 60 Hz

INPUT POWER (HP)	SPEED (RPM)	RATIO	OHL (LBF) (B)	OUTPUT TORQUE (LB-IN)	GEAR STAGE	SERVICE FACTOR (SF)	CATALOG NUMBER	
0.33 (CONT.)	39	45.41	1591	540	3	6.11	B_483GH71D4	
	35	49.65	1591	590	3	6.12		
	32	54.49	1591	648	3	6.11		
	29	60.08	1591	714	3	5.58		
	26	66.60	1591	792	3	5.03		
	23	75.45	1878	897	3	4.44		
	21	83.25	1878	989	3	4.03		
	19	94.12	1878	1119	3	3.56		
	16	107.47	1878	1277	3	3.12		
	14	122.19	1878	1452	3	2.74		
	13	130.78	1878	1554	3	2.56		
	12	150.76	1878	1792	3	2.22		
	10	169.53	1878	2015	3	1.98		
	206	8.50	2503	101	3	6.12		B_683GH71D4
	184	9.52	2503	113	3	6.13		
	168	10.40	2503	124	3	6.10		
	92	18.93	2503	225	3	6.12		
	82	21.22	2503	252	3	6.12		
	76	23.16	2503	275	3	6.12		
	69	25.42	2503	302	3	6.12		
	63	27.99	2503	333	3	6.11		
	58	30.38	2503	361	3	6.12		
	34	51.96	2503	618	3	6.11		
	30	58.23	2503	692	3	6.12		
	28	63.57	2503	756	3	6.11		
	25	69.78	2503	829	3	6.12		
	23	76.84	2503	913	3	6.12		
	21	83.40	2503	991	3	6.12		
	19	90.89	2503	1080	3	6.12		
	18	99.55	2503	1183	3	5.95		
	16	109.64	2503	1303	3	5.52		
	14	126.09	2503	1499	3	4.84		
	13	136.60	2503	1623	3	4.47		
	12	150.98	2503	1794	3	4.05		
	10	176.14	2503	2093	3	3.47		
	9	196.07	2503	2330	3	3.11		
	8	215.68	2503	2563	3	2.83		
	7	243.72	2503	2897	3	2.51		
	69	25.53	4512	303	3	6.13	B_883GH71D4	
61	28.50	4512	339	3	6.11			
57	30.87	4512	367	3	6.12			
23	75.45	4512	897	3	6.12			
21	84.21	4512	1001	3	6.12			
19	91.22	4512	1084	3	6.12			

(B) See Footnote page on inside back cover

NOMENCLATURE PAGE RHB-5	DIMENSIONS PAGE RHB-128	THERMAL RATINGS PAGE RHB-364	MOTOR INFORMATION PAGE ENGINEERING-14
----------------------------	----------------------------	---------------------------------	--

SELECTION



RIGHT ANGLE HELICAL BEVEL INTEGRAL GEARMOTORS (RHB) - 1750 RPM 60 Hz

INPUT POWER (HP)	SPEED (RPM)	RATIO	OHL (LBF) (B)	OUTPUT TORQUE (LB-IN)	GEAR STAGE	SERVICE FACTOR (SF)	CATALOG NUMBER
0.33 CONT')	17	103.38	4512	1229	3	6.12	B_883GH71D4
	16	111.37	4512	1324	3	6.12	
	15	120.42	4512	1431	3	6.12	
	13	130.77	4512	1554	3	6.12	
	12	144.58	4512	1718	3	6.08	
	11	156.63	4512	1862	3	5.69	
	10	176.50	4512	2098	3	5.16	
	9	193.24	4512	2297	3	4.78	
	8	215.25	4512	2558	3	4.36	
	7	246.13	4512	2925	3	3.88	
	6	272.95	4512	3244	3	3.55	
6	302.68	4512	3597	3	3.23		
0.5	310	5.65	589	102	3	4.03	B_383GH71E4
	281	6.22	589	112	3	4.04	
	242	7.22	620	130	3	4.04	
	224	7.82	620	141	3	4.03	
	198	8.85	620	159	3	4.04	
	180	9.72	620	175	3	4.04	
	163	10.72	620	193	3	4.04	
	152	11.50	617	207	3	4.04	
	138	12.65	617	228	3	4.03	
	119	14.69	617	265	3	4.03	
	110	15.91	617	286	3	4.04	
	97	17.99	726	324	3	4.04	
	88	19.78	726	356	3	4.04	
	80	21.81	726	393	3	4.04	
	72	24.16	726	435	3	3.79	
	65	26.90	726	484	3	3.52	
	61	28.72	926	517	3	4.04	
	55	31.59	926	569	3	3.89	
	48	36.69	926	661	3	3.35	
	44	39.73	926	715	3	3.09	
	39	44.94	1150	809	3	2.74	
	35	49.38	1150	889	3	2.49	
	32	54.47	1150	981	3	2.26	
	29	60.33	1150	1086	3	2.04	
	26	67.18	1150	1210	3	1.83	
	23	77.09	1411	1388	3	1.59	
	21	85.33	1411	1537	3	1.44	
18	97.05	1411	1748	3	1.27		
16	110.75	1411	1994	3	1.11		
242	7.22	1032	130	3	4.04	B_483GH71E4	
208	8.40	1032	151	3	4.04		
188	9.32	1032	168	3	4.03		

(B) See Footnote page on inside back cover

NOMENCLATURE PAGE RHB-5	DIMENSIONS PAGE RHB-192	THERMAL RATINGS PAGE RHB-364	MOTOR INFORMATION PAGE ENGINEERING-14
----------------------------	----------------------------	---------------------------------	--

RIGHT ANGLE HELICAL BEVEL INTEGRAL GEARMOTORS (RHB) - 1750 RPM 60 Hz

INPUT POWER (HP)	SPEED (RPM)	RATIO	OHL (LBF) (B)	OUTPUT TORQUE (LB-IN)	GEAR STAGE	SERVICE FACTOR (SF)	CATALOG NUMBER
0.5 CONT')	172	10.15	1032	183	3	4.03	B_483GH71E4
	146	11.95	1110	215	3	4.04	
	126	13.90	1110	250	3	4.04	
	113	15.42	1110	278	3	4.03	
	104	16.79	1110	302	3	4.04	
	93	18.78	1149	338	3	4.04	
	85	20.54	1149	370	3	4.04	
	78	22.54	1149	406	3	4.04	
	70	24.85	1149	447	3	3.97	
	64	27.55	1149	496	3	3.68	
	61	28.90	1266	520	3	4.04	
	52	33.60	1266	605	3	4.04	
	47	37.28	1266	671	3	4.04	
	43	40.60	1266	731	3	4.04	
	39	45.41	1591	818	3	4.04	
	35	49.65	1591	894	3	4.04	
	32	54.49	1591	981	3	4.04	
	29	60.08	1591	1082	3	3.68	
	26	66.60	1591	1199	3	3.32	
	23	75.45	1878	1359	3	2.93	
21	83.25	1878	1499	3	2.66		
19	94.12	1878	1695	3	2.35		
16	107.47	1878	1935	3	2.06		
14	122.19	1878	2200	3	1.81		
13	130.78	1878	2355	3	1.69		
12	150.76	1878	2715	3	1.47		
10	169.53	1878	3053	3	1.30		
	206	8.50	2503	153	3	4.04	B_683GH71E4
	184	9.52	2503	171	3	4.05	
	168	10.40	2503	187	3	4.04	
	92	18.93	2503	341	3	4.04	
	82	21.22	2503	382	3	4.04	
	76	23.16	2503	417	3	4.04	
	69	25.42	2503	458	3	4.04	
	63	27.99	2503	504	3	4.04	
	58	30.38	2503	547	3	4.04	
	34	51.96	2503	936	3	4.04	
	30	58.23	2503	1049	3	4.04	
	28	63.57	2503	1145	3	4.04	
	25	69.78	2503	1257	3	4.04	
	23	76.84	2503	1384	3	4.04	
	21	83.40	2503	1502	3	4.04	
	19	90.89	2503	1637	3	4.04	
18	99.55	2503	1793	3	3.93		

(B) See Footnote page on inside back cover

NOMENCLATURE PAGE RHB-5	DIMENSIONS PAGE RHB-128	THERMAL RATINGS PAGE RHB-364	MOTOR INFORMATION PAGE ENGINEERING-14
----------------------------	----------------------------	---------------------------------	--

SELECTION



RIGHT ANGLE HELICAL BEVEL INTEGRAL GEARMOTORS (RHB) - 1750 RPM 60 Hz

INPUT POWER (HP)	SPEED (RPM)	RATIO	OHL (LBF) (B)	OUTPUT TORQUE (LB-IN)	GEAR STAGE	SERVICE FACTOR (SF)	CATALOG NUMBER
0.5 (CONT.)	16	109.64	2503	1974	3	3.64	B_683GH71E4
	14	126.09	2503	2271	3	3.20	
	13	136.60	2503	2460	3	2.95	
	12	150.98	2503	2719	3	2.67	
	10	176.14	2503	3172	3	2.29	
	9	196.07	2503	3531	3	2.06	
	8	215.68	2503	3884	3	1.87	
	7	243.72	2503	4389	3	1.65	
	69	25.53	4512	460	3	4.04	B_883GH71E4
	61	28.50	4512	513	3	4.04	
	57	30.87	4512	556	3	4.04	
	23	75.45	4512	1359	3	4.04	
	21	84.21	4512	1516	3	4.04	
	19	91.22	4512	1643	3	4.04	
	17	103.38	4512	1862	3	4.04	
	16	111.37	4512	2005	3	4.04	
	15	120.42	4512	2168	3	4.04	
	13	130.77	4512	2355	3	4.04	
	12	144.58	4512	2603	3	4.01	
	11	156.63	4512	2820	3	3.76	
10	176.50	4512	3178	3	3.41		
9	193.24	4512	3480	3	3.16		
8	215.25	4512	3876	3	2.88		
7	246.13	4512	4432	3	2.56		
6	272.95	4512	4915	3	2.34		
6	302.68	4512	5450	3	2.13		
0.75	310	5.65	589	153	3	2.69	B_383GH80F4
	281	6.22	589	168	3	2.69	
	242	7.22	620	195	3	2.69	
	224	7.82	620	211	3	2.69	
	198	8.85	620	239	3	2.69	
	180	9.72	620	263	3	2.69	
	163	10.72	620	290	3	2.69	
	152	11.50	617	311	3	2.69	
	138	12.65	617	342	3	2.69	
	119	14.69	617	397	3	2.69	
	110	15.91	617	430	3	2.69	
	97	17.99	726	486	3	2.69	
	88	19.78	726	534	3	2.69	
	80	21.81	726	589	3	2.69	
	72	24.16	726	653	3	2.52	
	65	26.90	726	727	3	2.34	
61	28.72	926	776	3	2.69		
55	31.59	926	853	3	2.59		

(B) See Footnote page on inside back cover

NOMENCLATURE PAGE RHB-5	DIMENSIONS PAGE RHB-160	THERMAL RATINGS PAGE RHB-364	MOTOR INFORMATION PAGE ENGINEERING-14
----------------------------	----------------------------	---------------------------------	--

RIGHT ANGLE HELICAL BEVEL INTEGRAL GEARMOTORS (RHB) - 1750 RPM 60 Hz

INPUT POWER (HP)	SPEED (RPM)	RATIO	OHL (LBF) (B)	OUTPUT TORQUE (LB-IN)	GEAR STAGE	SERVICE FACTOR (SF)	CATALOG NUMBER
0.75 (CONT.)	48	36.69	926	991	3	2.23	B_383GH80F4
	44	39.73	926	1073	3	2.06	
	39	44.94	1150	1214	3	1.82	
	35	49.38	1150	1334	3	1.66	
	32	54.47	1150	1471	3	1.50	
	29	60.33	1150	1630	3	1.36	
	26	67.18	1150	1815	3	1.22	
	23	77.09	1411	2082	3	1.06	
	242	7.22	1032	195	3	2.69	
	208	8.40	1032	227	3	2.69	
	188	9.32	1032	252	3	2.69	
	172	10.15	1032	274	3	2.69	
	146	11.95	1110	323	3	2.69	
	126	13.90	1110	375	3	2.69	
	113	15.42	1110	417	3	2.69	
	104	16.79	1110	454	3	2.69	
	93	18.78	1149	507	3	2.69	
	85	20.54	1149	555	3	2.69	
	78	22.54	1149	609	3	2.69	
	70	24.85	1149	671	3	2.64	
	64	27.55	1149	744	3	2.45	
	61	28.90	1266	781	3	2.69	
	52	33.60	1266	908	3	2.69	
	47	37.28	1266	1007	3	2.69	
	43	40.60	1266	1097	3	2.69	
	39	45.41	1591	1227	3	2.69	
	35	49.65	1591	1341	3	2.69	
	32	54.49	1591	1472	3	2.69	
	29	60.08	1591	1623	3	2.45	
	26	66.60	1591	1799	3	2.21	
	23	75.45	1878	2038	3	1.95	
	21	83.25	1878	2249	3	1.77	
	19	94.12	1878	2542	3	1.57	
16	107.47	1878	2903	3	1.37		
14	122.19	1878	3300	3	1.21		
13	130.78	1878	3532	3	1.13		
206	8.50	2503	230	3	2.69	B_683GH80F4	
184	9.52	2503	257	3	2.69		
168	10.40	2503	281	3	2.69		
92	18.93	2503	511	3	2.69		
82	21.22	2503	573	3	2.69		
76	23.16	2503	626	3	2.69		
69	25.42	2503	687	3	2.69		
63	27.99	2503	756	3	2.69		

(B) See Footnote page on inside back cover

NOMENCLATURE PAGE RHB-5	DIMENSIONS PAGE RHB-96	THERMAL RATINGS PAGE RHB-364	MOTOR INFORMATION PAGE ENGINEERING-14
----------------------------	---------------------------	---------------------------------	--

SELECTION



RIGHT ANGLE HELICAL BEVEL INTEGRAL GEARMOTORS (RHB) - 1750 RPM 60 Hz

INPUT POWER (HP)	SPEED (RPM)	RATIO	OHL (LBF) (B)	OUTPUT TORQUE (LB-IN)	GEAR STAGE	SERVICE FACTOR (SF)	CATALOG NUMBER
0.75 (CONT.)	58	30.38	2503	821	3	2.69	B_683GH80F4
	34	51.96	2503	1403	3	2.69	
	30	58.23	2503	1573	3	2.69	
	28	63.57	2503	1717	3	2.69	
	25	69.78	2503	1885	3	2.69	
	23	76.84	2503	2076	3	2.69	
	21	83.40	2503	2253	3	2.69	
	19	90.89	2503	2455	3	2.69	
	18	99.55	2503	2689	3	2.62	
	16	109.64	2503	2961	3	2.43	
	14	126.09	2503	3406	3	2.13	
	13	136.60	2503	3690	3	1.97	
	12	150.98	2503	4078	3	1.78	
	10	176.14	2503	4758	3	1.53	
	9	196.07	2503	5296	3	1.37	
	8	215.68	2503	5826	3	1.25	
	7	243.72	2503	6583	3	1.10	
	69	25.53	4512	690	3	2.69	B_883GH80F4
	61	28.50	4512	770	3	2.69	
	57	30.87	4512	834	3	2.69	
23	75.45	4512	2038	3	2.69		
21	84.21	4512	2275	3	2.69		
19	91.22	4512	2464	3	2.69		
17	103.38	4512	2792	3	2.69		
16	111.37	4512	3008	3	2.69		
15	120.42	4512	3253	3	2.69		
13	130.77	4512	3532	3	2.69		
12	144.58	4512	3905	3	2.67		
11	156.63	4512	4231	3	2.51		
10	176.50	4512	4767	3	2.27		
9	193.24	4512	5220	3	2.10		
8	215.25	4512	5814	3	1.92		
7	246.13	4512	6648	3	1.71		
6	272.95	4512	7373	3	1.56		
6	302.68	4512	8176	3	1.42		
1	310	5.65	589	203	3	2.46	B_383GH80G4
	281	6.22	589	224	3	2.46	
	242	7.22	620	260	3	2.46	
	224	7.82	620	282	3	2.45	
	198	8.85	620	319	3	2.45	
	180	9.72	620	350	3	2.46	
	163	10.72	620	386	3	2.46	
	152	11.50	617	414	3	2.46	
	138	12.65	617	456	3	2.46	

(B) See Footnote page on inside back cover

NOMENCLATURE PAGE RHB-5	DIMENSIONS PAGE RHB-160	THERMAL RATINGS PAGE RHB-364	MOTOR INFORMATION PAGE ENGINEERING-14
----------------------------	----------------------------	---------------------------------	--

RIGHT ANGLE HELICAL BEVEL INTEGRAL GEARMOTORS (RHB) - 1750 RPM 60 Hz

INPUT POWER (HP)	SPEED (RPM)	RATIO	OHL (LBF) (B)	OUTPUT TORQUE (LB-IN)	GEAR STAGE	SERVICE FACTOR (SF)	CATALOG NUMBER	
1 (CONT.)	119	14.69	617	529	3	2.46	B_383GH80G4	
	110	15.91	617	573	3	2.46		
	97	17.99	726	648	3	2.46		
	88	19.78	726	712	3	2.46		
	80	21.81	726	785	3	2.46		
	72	24.16	726	870	3	2.46		
	65	26.90	726	969	3	2.28		
	61	28.72	926	1034	3	2.14		
	55	31.59	926	1138	3	1.94		
	48	36.69	926	1321	3	1.68		
	44	39.73	926	1431	3	1.55		
	39	44.94	1150	1618	3	1.37		
	35	49.38	1150	1778	3	1.24		
	32	54.47	1150	1962	3	1.13		
	29	60.33	1150	2173	3	1.02		
	242	7.22	1032	260	3	2.46		B_483GH80G4
	208	8.40	1032	303	3	2.45		
	188	9.32	1032	336	3	2.45		
	172	10.15	1032	366	3	2.45		
	146	11.95	1110	430	3	2.46		
	126	13.90	1110	501	3	2.46		
	113	15.42	1110	555	3	2.46		
	104	16.79	1110	605	3	2.46		
	93	18.78	1149	676	3	2.40		
	85	20.54	1149	740	3	2.26		
	78	22.54	1149	812	3	2.12		
	70	24.85	1149	895	3	1.98		
	64	27.55	1149	992	3	1.84		
	61	28.90	1266	1041	3	2.46		
	52	33.60	1266	1210	3	2.46		
	47	37.28	1266	1343	3	2.46		
	43	40.60	1266	1462	3	2.46		
	39	45.41	1591	1635	3	2.44		
	35	49.65	1591	1788	3	2.23		
	32	54.49	1591	1962	3	2.03		
	29	60.08	1591	2164	3	1.84		
26	66.60	1591	2399	3	1.66			
23	75.45	1878	2717	3	1.47			
21	83.25	1878	2998	3	1.33			
19	94.12	1878	3390	3	1.17			
16	107.47	1878	3870	3	1.03			
326	5.36	2503	193	3	2.46	B_683GH80G4		
272	6.44	2503	232	3	2.46			
231	7.58	2503	273	3	2.46			

(B) See Footnote page on inside back cover

NOMENCLATURE PAGE RHB-5	DIMENSIONS PAGE RHB-96	THERMAL RATINGS PAGE RHB-364	MOTOR INFORMATION PAGE ENGINEERING-14
----------------------------	---------------------------	---------------------------------	--

SELECTION



RIGHT ANGLE HELICAL BEVEL INTEGRAL GEARMOTORS (RHB) - 1750 RPM 60 Hz

INPUT POWER (HP)	SPEED (RPM)	RATIO	OHL (LBF) (B)	OUTPUT TORQUE (LB-IN)	GEAR STAGE	SERVICE FACTOR (SF)	CATALOG NUMBER
1 (CONT.)	206	8.50	2503	306	3	2.46	B_683GH80G4
	184	9.52	2503	343	3	2.46	
	168	10.40	2503	375	3	2.45	
	147	11.94	2503	430	3	2.46	
	122	14.35	2503	517	3	2.46	
	104	16.89	2503	608	3	2.46	
	92	18.93	2503	682	3	2.46	
	82	21.22	2503	764	3	2.46	
	76	23.16	2503	834	3	2.46	
	69	25.42	2503	915	3	2.46	
	63	27.99	2503	1008	3	2.46	
	58	30.38	2503	1094	3	2.46	
	53	32.78	2503	1181	3	2.46	
	44	39.39	2503	1419	3	2.46	
	38	46.37	2503	1670	3	2.46	
	34	51.96	2503	1871	3	2.46	
	30	58.23	2503	2097	3	2.46	
	28	63.57	2503	2289	3	2.46	
	25	69.78	2503	2513	3	2.46	
	23	76.84	2503	2767	3	2.46	
	21	83.40	2503	3004	3	2.42	
	19	90.89	2503	3273	3	2.22	
	18	99.55	2503	3585	3	2.02	
	16	109.64	2503	3949	3	1.84	
	14	126.09	2503	4541	3	1.60	
	13	136.60	2503	4920	3	1.48	
	12	150.98	2503	5437	3	1.33	
	10	176.14	2503	6344	3	1.14	
	9	196.07	2503	7061	3	1.03	
	RHB	218	8.03	4512	289	3	
186		9.41	4512	339	3	2.46	
104		16.85	4512	607	3	2.46	
89		19.75	4512	711	3	2.46	
74		23.54	4512	848	3	2.46	
69		25.53	4512	919	3	2.46	
61		28.50	4512	1026	3	2.46	
57		30.87	4512	1112	3	2.46	
35		49.80	4512	1794	3	2.46	
30		58.37	4512	2102	3	2.46	
25		69.57	4512	2506	3	2.46	
23		75.45	4512	2717	3	2.46	
21		84.21	4512	3033	3	2.46	
19		91.22	4512	3285	3	2.46	
17		103.38	4512	3723	3	2.46	

(B) See Footnote page on inside back cover

NOMENCLATURE PAGE RHB-5	DIMENSIONS PAGE RHB-160	THERMAL RATINGS PAGE RHB-364	MOTOR INFORMATION PAGE ENGINEERING-14
----------------------------	----------------------------	---------------------------------	--

RIGHT ANGLE HELICAL BEVEL INTEGRAL GEARMOTORS (RHB) - 1750 RPM 60 Hz

INPUT POWER (HP)	SPEED (RPM)	RATIO	OHL (LBF) (B)	OUTPUT TORQUE (LB-IN)	GEAR STAGE	SERVICE FACTOR (SF)	CATALOG NUMBER	
1 (CONT.)	16	111.37	4512	4011	3	2.46	B_883GH80G4	
	15	120.42	4512	4337	3	2.46		
	13	130.77	4512	4710	3	2.46		
	12	144.58	4512	5207	3	2.46		
	11	156.63	4512	5641	3	2.46		
	10	176.50	4512	6357	3	2.30		
	9	193.24	4512	6959	3	2.10		
	8	215.25	4512	7752	3	1.88		
	7	246.13	4512	8864	3	1.65		
	6	272.95	4512	9830	3	1.49		
	6	302.68	4512	10901	3	1.34		
	136	12.90	5586	465	3	2.45		B_1083GH80G4
	76	23.08	5586	831	3	2.46		
	66	26.48	5586	954	3	2.46		
	56	31.25	5586	1125	3	2.46		
	52	33.87	5586	1220	3	2.46		
	29	61.22	5586	2205	3	2.46		
	25	70.24	5586	2530	3	2.46		
	21	82.90	5586	2986	3	2.46		
	19	89.85	5586	3236	3	2.46		
	18	99.90	5586	3598	3	2.46		
	16	108.52	5586	3908	3	2.46		
	15	120.03	5586	4323	3	2.46		
	14	128.86	5586	4641	3	2.46		
	13	138.87	5586	5001	3	2.46		
	12	150.31	5586	5413	3	2.46		
	11	163.51	5586	5889	3	2.46		
10	178.90	5586	6443	3	2.46			
9	201.11	5586	7243	3	2.46			
8	219.64	5586	7910	3	2.46			
7	243.47	5586	8768	3	2.37			
6	278.10	5586	10016	3	2.17			
6	307.24	5586	11065	3	2.03			
1.5	310	5.65	589	305	3	3.34	B_383GH90H4	
	281	6.22	589	336	3	3.33		
	242	7.22	620	390	3	3.34		
	224	7.82	620	422	3	3.33		
	198	8.85	620	478	3	2.94		
	180	9.72	620	525	3	2.68		
	163	10.72	620	579	3	2.43		
	152	11.50	617	621	3	3.34		
	138	12.65	617	683	3	3.24		
	119	14.69	617	794	3	2.79		
	110	15.91	617	859	3	2.58		

(B) See Footnote page on inside back cover

NOMENCLATURE PAGE RHB-5	DIMENSIONS PAGE RHB-192	THERMAL RATINGS PAGE RHB-364	MOTOR INFORMATION PAGE ENGINEERING-14
----------------------------	----------------------------	---------------------------------	--

RIGHT ANGLE HELICAL BEVEL INTEGRAL GEARMOTORS (RHB) - 1750 RPM 60 Hz

INPUT POWER (HP)	SPEED (RPM)	RATIO	OHL (LBF) (B)	OUTPUT TORQUE (LB-IN)	GEAR STAGE	SERVICE FACTOR (SF)	CATALOG NUMBER
1.5 (CONT.)	97	17.99	726	972	3	2.28	B_383GH90H4
	88	19.78	726	1069	3	2.07	
	80	21.81	726	1178	3	1.88	
	72	24.16	726	1305	3	1.70	
	65	26.90	726	1453	3	1.52	
	61	28.72	926	1551	3	1.43	
	55	31.59	926	1707	3	1.30	
	48	36.69	926	1982	3	1.12	
	44	39.73	926	2146	3	1.03	
	242	7.22	1032	390	3	3.34	B_483GH90H4
	208	8.40	1032	454	3	3.33	
	188	9.32	1032	503	3	3.34	
	172	10.15	1032	548	3	3.33	
	146	11.95	1110	646	3	3.33	
	126	13.90	1110	751	3	3.33	
	113	15.42	1110	833	3	3.34	
	104	16.79	1110	907	3	3.33	
	93	18.78	1149	1015	3	3.17	
	85	20.54	1149	1110	3	3.04	
	78	22.54	1149	1218	3	2.90	
	70	24.85	1149	1342	3	2.77	
	64	27.55	1149	1488	3	2.63	
	61	28.90	1266	1561	3	2.55	
	52	33.60	1266	1815	3	2.19	
	47	37.28	1266	2014	3	1.98	
	43	40.60	1266	2193	3	1.82	
	39	45.41	1591	2453	3	1.62	
	35	49.65	1591	2682	3	1.49	
	32	54.49	1591	2944	3	1.35	
	29	60.08	1591	3246	3	1.23	
	26	66.60	1591	3598	3	1.11	
	326	5.36	2503	290	3	3.33	B_683GH90H4
	272	6.44	2503	348	3	3.33	
	231	7.58	2503	409	3	3.34	
	206	8.50	2503	459	3	3.34	
	184	9.52	2503	514	3	3.34	
168	10.40	2503	562	3	3.33		
147	11.94	2503	645	3	3.34		
122	14.35	2503	775	3	3.34		
104	16.89	2503	912	3	3.34		
92	18.93	2503	1023	3	3.33		
82	21.22	2503	1146	3	3.34		
76	23.16	2503	1251	3	3.34		
69	25.42	2503	1373	3	3.34		

(B) See Footnote page on inside back cover

NOMENCLATURE PAGE RHB-5	DIMENSIONS PAGE RHB-96	THERMAL RATINGS PAGE RHB-364	MOTOR INFORMATION PAGE ENGINEERING-14
----------------------------	---------------------------	---------------------------------	--

RIGHT ANGLE HELICAL BEVEL INTEGRAL GEARMOTORS (RHB) - 1750 RPM 60 Hz

INPUT POWER (HP)	SPEED (RPM)	RATIO	OHL (LBF) (B)	OUTPUT TORQUE (LB-IN)	GEAR STAGE	SERVICE FACTOR (SF)	CATALOG NUMBER		
1.5 (CONT.)	63	27.99	2503	1512	3	3.34	B_683GH90H4		
	58	30.38	2503	1641	3	3.34			
	53	32.78	2503	1771	3	3.34			
	44	39.39	2503	2128	3	3.33			
	38	46.37	2503	2505	3	2.90			
	34	51.96	2503	2807	3	2.59			
	30	58.23	2503	3146	3	2.31			
	28	63.57	2503	3434	3	2.11			
	25	69.78	2503	3770	3	1.93			
	23	76.84	2503	4151	3	1.75			
	21	83.40	2503	4505	3	1.61			
	19	90.89	2503	4910	3	1.48			
	18	99.55	2503	5378	3	1.35			
	16	109.64	2503	5923	3	1.23			
	14	126.09	2503	6812	3	1.07			
	218	8.03	4512	4512	434	3		3.33	B_883GH90H4
	186	9.41	4512	4512	508	3		3.34	
	104	16.85	4512	4512	910	3		3.34	
	89	19.75	4512	4512	1067	3	3.34		
	74	23.54	4512	4512	1272	3	3.33		
	69	25.53	4512	4512	1379	3	3.34		
	61	28.50	4512	4512	1540	3	3.33		
	57	30.87	4512	4512	1668	3	3.33		
	35	49.80	4512	4512	2690	3	3.34		
	30	58.37	4512	4512	3153	3	3.34		
	25	69.57	4512	4512	3758	3	3.34		
	23	75.45	4512	4512	4076	3	3.34		
	21	84.21	4512	4512	4549	3	3.21		
	19	91.22	4512	4512	4928	3	2.96		
	17	103.38	4512	4512	5585	3	2.61		
	16	111.37	4512	4512	6016	3	2.43		
	15	120.42	4512	4512	6505	3	2.25		
	13	130.77	4512	4512	7064	3	2.07		
	12	144.58	4512	4512	7810	3	1.87		
	11	156.63	4512	4512	8461	3	1.73		
	10	176.50	4512	4512	9535	3	1.53		
	9	193.24	4512	4512	10439	3	1.40		
	8	215.25	4512	4512	11628	3	1.26		
	7	246.13	4512	4512	13296	3	1.10		
	136	12.90	5586	5586	697	3	3.33	B_1083GH90H4	
	76	23.08	5586	5586	1247	3	3.33		
	66	26.48	5586	5586	1430	3	3.34		
56	31.25	5586	5586	1688	3	3.34			
52	33.87	5586	5586	1830	3	3.34			

(B) See Footnote page on inside back cover

NOMENCLATURE PAGE RHB-5	DIMENSIONS PAGE RHB-160	THERMAL RATINGS PAGE RHB-364	MOTOR INFORMATION PAGE ENGINEERING-14
----------------------------	----------------------------	---------------------------------	--

SELECTION



RIGHT ANGLE HELICAL BEVEL INTEGRAL GEARMOTORS (RHB) - 1750 RPM 60 Hz

INPUT POWER (HP)	SPEED (RPM)	RATIO	OHL (LBF) (B)	OUTPUT TORQUE (LB-IN)	GEAR STAGE	SERVICE FACTOR (SF)	CATALOG NUMBER	
1.5 (CONT.)	29	61.22	5586	3307	3	3.34	B_1083GH90H4	
	25	70.24	5586	3794	3	3.34		
	21	82.90	5586	4478	3	3.34		
	19	89.85	5586	4854	3	3.34		
	18	99.90	5586	5397	3	3.34		
	16	108.52	5586	5862	3	3.34		
	15	120.03	5586	6484	3	3.34		
	14	128.86	5586	6961	3	3.34		
	13	138.87	5586	7502	3	3.22		
	12	150.31	5586	8120	3	3.09		
	11	163.51	5586	8833	3	2.95		
	10	178.90	5586	9664	3	2.75		
	9	201.11	5586	10864	3	2.44		
	8	219.64	5586	11865	3	2.24		
	7	243.47	5586	13153	3	2.02		
	6	278.10	5586	15023	3	1.77		
	6	307.24	5586	16598	3	1.60		
	1.5 (CONT.)	65	27.02	6907	1460	3	3.33	B_1283GH90H4
		57	30.61	6907	1654	3	3.33	
		49	35.92	6907	1940	3	3.34	
45		39.19	6907	2117	3	3.34		
20		85.98	6907	4645	3	3.34		
18		97.44	6907	5264	3	3.34		
15		114.34	6907	6177	3	3.34		
14		124.73	6907	6738	3	3.34		
13		136.06	6907	7350	3	3.34		
12		146.84	6907	7933	3	3.34		
11		164.11	6907	8865	3	3.34		
10		175.8	6907	9497	3	3.34		
9		189.04	6907	10212	3	3.21		
9		204.18	6907	11030	3	3.07		
8		221.64	6907	11973	3	2.93		
7	242.02	6907	13074	3	2.79			
6	270.90	6907	14634	3	2.62			
6	295.38	6907	15957	3	2.49			
2	310	5.65	589	407	3	2.50	B_383GH90I4	
	281	6.22	589	448	3	2.50		
	242	7.22	620	520	3	2.50		
	224	7.82	620	563	3	2.49		
	198	8.85	620	637	3	2.20		
	180	9.72	620	700	3	2.01		
	163	10.72	620	772	3	1.82		
	152	11.50	617	828	3	2.50		
	138	12.65	617	911	3	2.43		

(B) See Footnote page on inside back cover

NOMENCLATURE PAGE RHB-5	DIMENSIONS PAGE RHB-224	THERMAL RATINGS PAGE RHB-364	MOTOR INFORMATION PAGE ENGINEERING-14
----------------------------	----------------------------	---------------------------------	--

RIGHT ANGLE HELICAL BEVEL INTEGRAL GEARMOTORS (RHB) - 1750 RPM 60 Hz

INPUT POWER (HP)	SPEED (RPM)	RATIO	OHL (LBF) (B)	OUTPUT TORQUE (LB-IN)	GEAR STAGE	SERVICE FACTOR (SF)	CATALOG NUMBER
2 (CONT.)	119	14.69	617	1058	3	2.09	B_383GH90I4
	110	15.91	617	1146	3	1.93	
	97	17.99	726	1296	3	1.71	
	88	19.78	726	1425	3	1.55	
	80	21.81	726	1571	3	1.41	
	72	24.16	726	1740	3	1.27	
	65	26.90	726	1938	3	1.14	
	61	28.72	926	2069	3	1.07	
	242	7.22	1032	520	3	2.50	
	208	8.40	1032	605	3	2.50	
	188	9.32	1032	671	3	2.50	
	172	10.15	1032	731	3	2.49	
	146	11.95	1110	861	3	2.50	
	126	13.90	1110	1001	3	2.50	
	113	15.42	1110	1111	3	2.50	
	104	16.79	1110	1209	3	2.50	
	93	18.78	1149	1353	3	2.38	
	85	20.54	1149	1479	3	2.28	
	78	22.54	1149	1624	3	2.18	
	70	24.85	1149	1790	3	2.08	
	64	27.55	1149	1984	3	1.97	
	61	28.90	1266	2082	3	1.91	
	52	33.60	1266	2420	3	1.65	
	47	37.28	1266	2685	3	1.48	
	43	40.60	1266	2924	3	1.36	
	39	45.41	1591	3271	3	1.22	
	35	49.65	1591	3576	3	1.11	
	32	54.49	1591	3925	3	1.01	
	326	5.36	2503	386	3	2.50	B_683GH90I4
	272	6.44	2503	464	3	2.50	
	231	7.58	2503	546	3	2.50	
	206	8.50	2503	612	3	2.50	
	184	9.52	2503	686	3	2.50	
	168	10.40	2503	749	3	2.50	
	147	11.94	2503	860	3	2.50	
	122	14.35	2503	1034	3	2.50	
104	16.89	2503	1217	3	2.50		
92	18.93	2503	1364	3	2.50		
82	21.22	2503	1528	3	2.50		
76	23.16	2503	1668	3	2.50		
69	25.42	2503	1831	3	2.50		
63	27.99	2503	2016	3	2.50		
58	30.38	2503	2188	3	2.50		
53	32.78	2503	2361	3	2.50		

(B) See Footnote page on inside back cover

NOMENCLATURE PAGE RHB-5	DIMENSIONS PAGE RHB-96	THERMAL RATINGS PAGE RHB-364	MOTOR INFORMATION PAGE ENGINEERING-14
----------------------------	---------------------------	---------------------------------	--

RIGHT ANGLE HELICAL BEVEL INTEGRAL GEARMOTORS (RHB) - 1750 RPM 60 Hz

INPUT POWER (HP)	SPEED (RPM)	RATIO	OHL (LBF) (B)	OUTPUT TORQUE (LB-IN)	GEAR STAGE	SERVICE FACTOR (SF)	CATALOG NUMBER		
2 (CONT.)	44	39.39	2503	2837	3	2.50	B_683GH90I4		
	38	46.37	2503	3340	3	2.17			
	34	51.96	2503	3743	3	1.94			
	30	58.23	2503	4194	3	1.73			
	28	63.57	2503	4579	3	1.59			
	25	69.78	2503	5026	3	1.44			
	23	76.84	2503	5535	3	1.31			
	21	83.40	2503	6007	3	1.21			
	19	90.89	2503	6547	3	1.11			
	18	99.55	2503	7170	3	1.01			
	218	8.03	4512	4512	578	3		2.50	B_883GH90I4
	186	9.41	4512	4512	678	3		2.50	
	104	16.85	4512	4512	1214	3	2.50		
	89	19.75	4512	4512	1423	3	2.50		
	74	23.54	4512	4512	1696	3	2.50		
	69	25.53	4512	4512	1839	3	2.50		
	61	28.50	4512	4512	2053	3	2.50		
	57	30.87	4512	4512	2224	3	2.50		
	35	49.80	4512	4512	3587	3	2.50		
	30	58.37	4512	4512	4204	3	2.50		
	25	69.57	4512	4512	5011	3	2.50		
	23	75.45	4512	4512	5435	3	2.50		
	21	84.21	4512	4512	6066	3	2.41		
	19	91.22	4512	4512	6570	3	2.22		
	17	103.38	4512	4512	7446	3	1.96		
	16	111.37	4512	4512	8022	3	1.82		
	15	120.42	4512	4512	8674	3	1.68		
	13	130.77	4512	4512	9419	3	1.55		
	12	144.58	4512	4512	10414	3	1.40		
	11	156.63	4512	4512	11282	3	1.29		
	10	176.50	4512	4512	12713	3	1.15		
	9	193.24	4512	4512	13919	3	1.05		
	136	12.90	5586	5586	929	3	2.50	B_1083GH90I4	
	76	23.08	5586	5586	1662	3	2.50		
	66	26.48	5586	5586	1907	3	2.50		
	56	31.25	5586	5586	2251	3	2.50		
52	33.87	5586	5586	2440	3	2.50			
29	61.22	5586	5586	4410	3	2.50			
25	70.24	5586	5586	5059	3	2.50			
21	82.90	5586	5586	5971	3	2.50			
19	89.85	5586	5586	6472	3	2.50			
18	99.90	5586	5586	7196	3	2.50			
16	108.52	5586	5586	7817	3	2.50			
15	120.03	5586	5586	8646	3	2.50			

(B) See Footnote page on inside back cover

NOMENCLATURE PAGE RHB-5	DIMENSIONS PAGE RHB-160	THERMAL RATINGS PAGE RHB-364	MOTOR INFORMATION PAGE ENGINEERING-14
----------------------------	----------------------------	---------------------------------	--

RIGHT ANGLE HELICAL BEVEL INTEGRAL GEARMOTORS (RHB) - 1750 RPM 60 Hz

INPUT POWER (HP)	SPEED (RPM)	RATIO	OHL (LBF) (B)	OUTPUT TORQUE (LB-IN)	GEAR STAGE	SERVICE FACTOR (SF)	CATALOG NUMBER	
2 (CONT.)	14	128.86	5586	9282	3	2.50	B_1083GH90I4	
	13	138.87	5586	10003	3	2.42		
	12	150.31	5586	10827	3	2.31		
	11	163.51	5586	11777	3	2.21		
	10	178.90	5586	12886	3	2.06		
	9	201.11	5586	14486	3	1.83		
	8	219.64	5586	15820	3	1.68		
	7	243.47	5586	17537	3	1.51		
	6	278.10	5586	20031	3	1.33		
	6	307.24	5586	22130	3	1.20		
	65	27.02	6907	1946	3	2.50	B_1283GH90I4	
	57	30.61	6907	2205	3	2.50		
	49	35.92	6907	2587	3	2.50		
	45	39.19	6907	2823	3	2.50		
	20	85.98	6907	6193	3	2.50		
	18	97.44	6907	7018	3	2.50		
	15	114.34	6907	8236	3	2.50		
	14	124.73	6907	8984	3	2.50		
	13	136.06	6907	9800	3	2.50		
	12	146.84	6907	10577	3	2.50		
11	164.11	6907	11821	3	2.50			
10	175.80	6907	12663	3	2.50			
9	189.04	6907	13616	3	2.41			
9	204.18	6907	14707	3	2.30			
8	221.64	6907	15964	3	2.20			
7	242.02	6907	17432	3	2.09			
6	270.90	6907	19513	3	1.96			
6	295.38	6907	21276	3	1.87			
3	310	5.65	589	610	3	1.87	B_383GH100J4	
	281	6.22	589	672	3	1.75		
	242	7.22	620	780	3	1.59		
	224	7.82	620	845	3	1.50		
	198	8.85	620	956	3	1.38		
	180	9.72	620	1050	3	1.30		
	163	10.72	620	1158	3	1.21		
	152	11.50	617	1242	3	1.78		
	138	12.65	617	1367	3	1.62		
	119	14.69	617	1587	3	1.39		
	110	15.91	617	1719	3	1.29		
	97	17.99	726	1944	3	1.14		
	88	19.78	726	2137	3	1.04		
	242	7.22	1032	780	3	3.30		B_483GH100J4
	208	8.40	1032	908	3	2.83		
	188	9.32	1032	1007	3	2.55		

(B) See Footnote page on inside back cover

NOMENCLATURE PAGE RHB-5	DIMENSIONS PAGE RHB-224	THERMAL RATINGS PAGE RHB-364	MOTOR INFORMATION PAGE ENGINEERING-14
----------------------------	----------------------------	---------------------------------	--

RIGHT ANGLE HELICAL BEVEL INTEGRAL GEARMOTORS (RHB) - 1750 RPM 60 Hz

INPUT POWER (HP)	SPEED (RPM)	RATIO	OHL (LBF) (B)	OUTPUT TORQUE (LB-IN)	GEAR STAGE	SERVICE FACTOR (SF)	CATALOG NUMBER
3 (CONT.)	172	10.15	1032	1097	3	2.34	B_483GH100J4
	146	11.95	1110	1291	3	2.90	
	126	13.90	1110	1502	3	2.61	
	113	15.42	1110	1666	3	2.39	
	104	16.79	1110	1814	3	2.20	
	93	18.78	1149	2029	3	1.96	
	85	20.54	1149	2219	3	1.79	
	78	22.54	1149	2435	3	1.64	
	70	24.85	1149	2685	3	1.48	
	64	27.55	1149	2977	3	1.34	
	61	28.90	1266	3122	3	1.28	
	52	33.60	1266	3630	3	1.10	
	326	5.36	2503	579	3	3.45	
	272	6.44	2503	696	3	3.45	
	231	7.58	2503	819	3	3.45	
	206	8.50	2503	918	3	3.45	
	184	9.52	2503	1029	3	3.45	
	168	10.40	2503	1124	3	3.45	
	147	11.94	2503	1290	3	3.45	
	122	14.35	2503	1550	3	3.45	
	104	16.89	2503	1825	3	3.45	
	92	18.93	2503	2045	3	3.31	
	82	21.22	2503	2293	3	3.05	
	76	23.16	2503	2502	3	2.87	
	69	25.42	2503	2746	3	2.64	
	63	27.99	2503	3024	3	2.40	
	58	30.38	2503	3282	3	2.21	
	53	32.78	2503	3542	3	1.98	
	44	39.39	2503	4256	3	1.71	
	38	46.37	2503	5010	3	1.45	
	34	51.96	2503	5614	3	1.29	
	30	58.23	2503	6291	3	1.15	
	28	63.57	2503	6868	3	1.06	
316	5.54	4505	599	3	3.45	B_883GH100J4	
262	6.69	4505	723	3	3.45		
218	8.03	4512	868	3	3.45		
186	9.41	4512	1017	3	3.45		
150	11.64	4512	1258	3	3.45		
125	14.04	4512	1517	3	3.45		
104	16.85	4512	1821	3	3.45		
89	19.75	4512	2134	3	3.45		
74	23.54	4512	2543	3	3.45		
69	25.53	4512	2758	3	3.45		
61	28.50	4512	3079	3	3.31		

(B) See Footnote page on inside back cover

NOMENCLATURE PAGE RHB-5	DIMENSIONS PAGE RHB-128	THERMAL RATINGS PAGE RHB-364	MOTOR INFORMATION PAGE ENGINEERING-14
----------------------------	----------------------------	---------------------------------	--

RIGHT ANGLE HELICAL BEVEL INTEGRAL GEARMOTORS (RHB) - 1750 RPM 60 Hz

INPUT POWER (HP)	SPEED (RPM)	RATIO	OHL (LBF) (B)	OUTPUT TORQUE (LB-IN)	GEAR STAGE	SERVICE FACTOR (SF)	CATALOG NUMBER
3 (CONT.)	57	30.87	4512	3335	3	3.19	B_883GH100J4
	51	34.40	4512	3717	3	3.45	
	42	41.50	4512	4484	3	3.26	
	35	49.80	4512	5381	3	2.71	
	30	58.37	4512	6306	3	2.32	
	25	69.57	4512	7517	3	1.94	
	23	75.45	4512	8152	3	1.79	
	21	84.21	4512	9098	3	1.61	
	19	91.22	4512	9856	3	1.48	
	17	103.38	4512	11169	3	1.31	
	16	111.37	4512	12033	3	1.21	
	15	120.42	4512	13011	3	1.12	
	13	130.77	4512	14129	3	1.03	
	187	9.36	5586	1011	3	3.45	B_1083GH100J4
	160	10.97	5586	1185	3	3.45	
	136	12.90	5586	1394	3	3.45	
	104	16.75	5586	1810	3	3.45	
	89	19.63	5586	2121	3	3.45	
	76	23.08	5586	2494	3	3.45	
	66	26.48	5586	2861	3	3.45	
	56	31.25	5586	3376	3	3.45	
	52	33.87	5586	3659	3	3.45	
	39	44.44	5586	4801	3	3.45	
	34	52.08	5586	5627	3	3.45	
	29	61.22	5586	6614	3	3.45	
	25	70.24	5586	7589	3	3.45	
	21	82.90	5586	8957	3	2.96	
	19	89.85	5586	9708	3	2.74	
	18	99.90	5586	10793	3	2.46	
	16	108.52	5586	11725	3	2.26	
	15	120.03	5586	12968	3	2.05	
	14	128.86	5586	13922	3	1.91	
	13	138.87	5586	15004	3	1.77	
	12	150.31	5586	16240	3	1.64	
	11	163.51	5586	17666	3	1.50	
	10	178.90	5586	19329	3	1.37	
	9	201.11	5586	21728	3	1.22	
	8	219.64	5586	23731	3	1.12	
	7	243.47	5586	26305	3	1.01	
	161	10.88	6907	1176	3	3.45	B_1283GH100J4
139	12.56	6907	1357	3	3.45		
88	19.92	6907	2152	3	3.45		
76	22.99	6907	2484	3	3.45		
65	27.02	6907	2919	3	3.45		

(B) See Footnote page on inside back cover

NOMENCLATURE PAGE RHB-5	DIMENSIONS PAGE RHB-192	THERMAL RATINGS PAGE RHB-364	MOTOR INFORMATION PAGE ENGINEERING-14
----------------------------	----------------------------	---------------------------------	--

SELECTION



RIGHT ANGLE HELICAL BEVEL INTEGRAL GEARMOTORS (RHB) - 1750 RPM 60 Hz

INPUT POWER (HP)	SPEED (RPM)	RATIO	OHL (LBF) (B)	OUTPUT TORQUE (LB-IN)	GEAR STAGE	SERVICE FACTOR (SF)	CATALOG NUMBER
3 (CONT.)	57	30.61	6907	3307	3	3.45	B_1283GH100J4
	49	35.92	6907	3881	3	3.45	
	45	39.19	6907	4234	3	3.45	
	28	63.41	6907	6851	3	3.45	
	24	73.18	6907	7907	3	3.45	
	20	85.98	6907	9290	3	3.45	
	18	97.44	6907	10528	3	3.45	
	15	114.34	6907	12354	3	3.37	
	14	124.73	6907	13476	3	3.09	
	13	136.06	6907	14700	3	2.83	
	12	146.84	6907	15865	3	2.62	
	11	164.11	6907	17731	3	2.35	
	10	175.80	6907	18994	3	2.19	
	9	189.04	6907	20424	3	2.04	
	9	204.18	6907	22060	3	1.89	
	8	221.64	6907	23947	3	1.74	
	7	242.02	6907	26149	3	1.59	
	6	270.90	6907	29269	3	1.42	
	6	295.38	6907	31914	3	1.30	
	3 (CONT.)	75	23.19	11951	2506	3	
66		26.58	11951	2872	3	3.45	
24		73.80	13027	7974	3	3.45	
21		84.61	13027	9142	3	3.45	
17		101.53	13027	10970	3	3.45	
16		112.35	13027	12139	3	3.45	
13		131.49	13027	14207	3	3.45	
12		142.41	13027	15386	3	3.36	
11		158.93	13027	17171	3	3.25	
10		168.50	13027	18205	3	3.13	
9		191.02	13027	20638	3	3.01	
9		204.38	13027	22082	3	2.85	
8		214.96	13027	23225	3	2.73	
8		231.95	13027	25061	3	2.55	
7		251.55	13027	27178	3	2.38	
6	274.42	13027	29649	3	2.21		
6	306.08	13027	33070	3	2.00		
5	326	5.36	2503	965	3	2.77	B_683GH112L4
	272	6.44	2503	1160	3	2.77	
	231	7.58	2503	1365	3	2.77	
	206	8.50	2503	1531	3	2.77	
	184	9.52	2503	1714	3	2.75	
	168	10.40	2503	1873	3	2.59	
	147	11.94	2503	2150	3	2.74	
	122	14.35	2503	2584	3	2.41	

(B) See Footnote page on inside back cover

NOMENCLATURE PAGE RHB-5	DIMENSIONS PAGE RHB-256	THERMAL RATINGS PAGE RHB-364	MOTOR INFORMATION PAGE ENGINEERING-14
----------------------------	----------------------------	---------------------------------	--

RIGHT ANGLE HELICAL BEVEL INTEGRAL GEARMOTORS (RHB) - 1750 RPM 60 Hz

INPUT POWER (HP)	SPEED (RPM)	RATIO	OHL (LBF) (B)	OUTPUT TORQUE (LB-IN)	GEAR STAGE	SERVICE FACTOR (SF)	CATALOG NUMBER
5 (CONT.)	104	16.89	2503	3041	3	2.15	B_683GH112L4
	92	18.93	2503	3409	3	1.98	
	82	21.22	2503	3821	3	1.83	
	76	23.16	2503	4170	3	1.72	
	69	25.42	2503	4577	3	1.59	
	63	27.99	2503	5040	3	1.44	
	58	30.38	2503	5471	3	1.33	
	53	32.78	2503	5903	3	1.19	
	44	39.39	2503	7093	3	1.02	
	316	5.54	4505	998	3	2.77	
	262	6.69	4505	1205	3	2.77	
	218	8.03	4512	1446	3	2.77	
	186	9.41	4512	1694	3	2.77	
	150	11.64	4512	2096	3	2.77	
	125	14.04	4512	2528	3	2.77	
	104	16.85	4512	3034	3	2.77	
	89	19.75	4512	3556	3	2.77	
	74	23.54	4512	4239	3	2.75	
	69	25.53	4512	4597	3	2.65	
	61	28.50	4512	5132	3	2.51	
	57	30.87	4512	5559	3	2.42	
	51	34.40	4512	6194	3	2.36	
	42	41.50	4512	7473	3	1.95	
	35	49.80	4512	8968	3	1.63	
	30	58.37	4512	10511	3	1.39	
	25	69.57	4512	12528	3	1.17	
	23	75.45	4512	13586	3	1.07	
	228	7.68	5586	1383	3	2.77	B_1083GH112L4
	187	9.36	5586	1685	3	2.78	
	160	10.97	5586	1975	3	2.77	
	136	12.90	5586	2323	3	2.77	
	127	13.74	5586	2474	3	2.77	
	104	16.75	5586	3016	3	2.77	
	89	19.63	5586	3535	3	2.77	
	76	23.08	5586	4156	3	2.77	
	66	26.48	5586	4768	3	2.77	
56	31.25	5586	5627	3	2.77		
52	33.87	5586	6099	3	2.77		
48	36.44	5586	6562	3	2.77		
39	44.44	5586	8002	3	2.77		
34	52.08	5586	9378	3	2.77		
29	61.22	5586	11024	3	2.41		
25	70.24	5586	12648	3	2.10		
21	82.90	5586	14928	3	1.78		

(B) See Footnote page on inside back cover

NOMENCLATURE PAGE RHB-5	DIMENSIONS PAGE RHB-160	THERMAL RATINGS PAGE RHB-364	MOTOR INFORMATION PAGE ENGINEERING-14
----------------------------	----------------------------	---------------------------------	--

RIGHT ANGLE HELICAL BEVEL INTEGRAL GEARMOTORS (RHB) - 1750 RPM 60 Hz

INPUT POWER (HP)	SPEED (RPM)	RATIO	OHL (LBF) (B)	OUTPUT TORQUE (LB-IN)	GEAR STAGE	SERVICE FACTOR (SF)	CATALOG NUMBER
5 (CONT.)	19	89.85	5586	16179	3	1.64	B_1083GH112L4
	18	99.90	5586	17989	3	1.48	
	16	108.52	5586	19541	3	1.36	
	15	120.03	5586	21614	3	1.23	
	14	128.86	5586	23204	3	1.14	
	13	138.87	5586	25007	3	1.06	
	191	9.16	6907	1649	3	2.77	B_1283GH112L4
	161	10.88	6907	1959	3	2.77	
	139	12.56	6907	2262	3	2.77	
	104	16.76	6907	3018	3	2.77	
	88	19.92	6907	3587	3	2.77	
	76	22.99	6907	4140	3	2.77	
	65	27.02	6907	4866	3	2.77	
	57	30.61	6907	5512	3	2.77	
	49	35.92	6907	6468	3	2.77	
	45	39.19	6907	7057	3	2.77	
	33	53.36	6907	9609	3	2.77	
	28	63.41	6907	11418	3	2.77	
	24	73.18	6907	13178	3	2.77	
	20	85.98	6907	15483	3	2.69	
	18	97.44	6907	17546	3	2.37	
	15	114.34	6907	20589	3	2.02	
	14	124.73	6907	22460	3	1.85	
	13	136.06	6907	24501	3	1.70	
	12	146.84	6907	26442	3	1.57	
	11	164.11	6907	29552	3	1.41	
	10	175.80	6907	31657	3	1.31	
	9	189.04	6907	34041	3	1.22	
	9	204.18	6907	36767	3	1.13	
	8	221.64	6907	39911	3	1.04	
	88	19.84	11951	3573	3	2.77	B_1483GH112L4
	75	23.19	11951	4176	3	2.77	
	66	26.58	11951	4786	3	2.77	
	57	30.74	12561	5535	3	2.77	
	28	63.16	13027	11373	3	2.77	
	24	73.80	13027	13289	3	2.77	
21	84.61	13027	15236	3	2.77		
18	97.82	13027	17615	3	2.77		
17	101.53	13027	18283	3	2.77		
16	112.35	13027	20231	3	2.77		
13	131.49	13027	23678	3	2.69		
12	142.41	13027	25644	3	2.54		
11	158.93	13027	28619	3	2.46		
10	168.50	13027	30342	3	2.33		

(B) See Footnote page on inside back cover

NOMENCLATURE PAGE RHB-5	DIMENSIONS PAGE RHB-224	THERMAL RATINGS PAGE RHB-364	MOTOR INFORMATION PAGE ENGINEERING-14
----------------------------	----------------------------	---------------------------------	--

RIGHT ANGLE HELICAL BEVEL INTEGRAL GEARMOTORS (RHB) - 1750 RPM 60 Hz

INPUT POWER (HP)	SPEED (RPM)	RATIO	OHL (LBF) (B)	OUTPUT TORQUE (LB-IN)	GEAR STAGE	SERVICE FACTOR (SF)	CATALOG NUMBER	
5 (CONT.)	9	191.02	13027	34397	3	2.06	B_1483GH112L4	
	9	204.38	13027	36803	3	1.92		
	8	214.96	13027	38708	3	1.83		
	8	231.95	13027	41768	3	1.70		
	7	251.55	13027	45297	3	1.56		
	6	274.42	13027	49415	3	1.43		
	6	306.08	13027	55116	3	1.28		
7.5	316	5.54	4505	1496	3	3.59	B_883GH132M4	
	262	6.69	4505	1807	3	3.38		
	218	8.03	4512	2169	3	3.16		
	186	9.41	4512	2542	3	2.96		
	150	11.64	4512	3144	3	3.59		
	125	14.04	4512	3792	3	3.32		
	104	16.85	4512	4551	3	2.92		
	89	19.75	4512	5335	3	2.61		
	74	23.54	4512	6358	3	2.30		
	69	25.53	4512	6896	3	2.12		
	61	28.50	4512	7698	3	1.90		
	57	30.87	4512	8338	3	1.75		
	51	34.40	4512	9292	3	1.57		
	42	41.50	4512	11209	3	1.30		
	35	49.80	4512	13451	3	1.09		
	7.5	228	7.68	5586	2074	3	4.02	B_1083GH132M4
		187	9.36	5586	2528	3	3.82	
		160	10.97	5586	2963	3	3.62	
		136	12.90	5586	3484	3	3.41	
		127	13.74	5586	3711	3	4.02	
104		16.75	5586	4524	3	3.82		
89		19.63	5586	5302	3	3.62		
76		23.08	5586	6234	3	3.41		
66		26.48	5586	7152	3	3.21		
56		31.25	5586	8441	3	2.97		
52		33.87	5586	9149	3	2.76		
48		36.44	5586	9843	3	2.56		
39		44.44	5586	12004	3	2.21		
34		52.08	5586	14067	3	1.89		
29		61.22	5586	16536	3	1.61		
25		70.24	5586	18972	3	1.40		
21		82.90	5586	22392	3	1.19		
19	89.85	5586	24269	3	1.09			
7.5	246	7.10	6907	1918	3	4.37	B_1283GH132M4	
	212	8.26	6907	2231	3	4.37		
	191	9.16	6907	2474	3	4.36		
	161	10.88	6907	2939	3	4.37		

(B) See Footnote page on inside back cover

NOMENCLATURE PAGE RHB-5	DIMENSIONS PAGE RHB-288	THERMAL RATINGS PAGE RHB-364	MOTOR INFORMATION PAGE ENGINEERING-14
----------------------------	----------------------------	---------------------------------	--

RIGHT ANGLE HELICAL BEVEL INTEGRAL GEARMOTORS (RHB) - 1750 RPM 60 Hz

INPUT POWER (HP)	SPEED (RPM)	RATIO	OHL (LBF) (B)	OUTPUT TORQUE (LB-IN)	GEAR STAGE	SERVICE FACTOR (SF)	CATALOG NUMBER	
7.5 (CONT.)	139	12.56	6907	3393	3	4.36	B_1283GH132M4	
	135	13.00	6907	3511	3	4.37		
	116	15.13	6907	4087	3	4.36		
	104	16.76	6907	4527	3	4.37		
	88	19.92	6907	5381	3	4.37		
	76	22.99	6907	6210	3	4.37		
	65	27.02	6907	7298	3	4.25		
	57	30.61	6907	8268	3	4.07		
	49	35.92	6907	9702	3	3.84		
	45	39.19	6907	10585	3	3.71		
	42	41.38	6907	11177	3	3.72		
	36	48.14	6907	13003	3	3.20		
	33	53.36	6907	14413	3	2.89		
	28	63.41	6907	17127	3	2.43		
	24	73.18	6907	19766	3	2.10		
	20	85.98	6907	23224	3	1.79		
	18	97.44	6907	26319	3	1.58		
	15	114.34	6907	30884	3	1.35		
	14	124.73	6907	33690	3	1.23		
	13	136.06	6907	36751	3	1.13		
	12	146.84	6907	39663	3	1.05		
	235	7.44	10246	2010	3	4.37		B_1483GH132M4
	199	8.79	10246	2374	3	4.36		
	116	15.05	11162	4065	3	4.37		
98	17.77	11951	4800	3	4.37			
88	19.84	11951	5359	3	4.37			
75	23.19	11951	6264	3	4.25			
66	26.58	11951	7179	3	4.07			
57	30.74	12561	8303	3	3.84			
56	31.10	12561	8400	3	4.37			
42	41.38	12561	11177	3	4.37			
37	47.91	13027	12941	3	4.37			
31	56.57	13027	15280	3	4.37			
28	63.16	13027	17060	3	4.15			
24	73.80	13027	19934	3	3.55			
21	84.61	13027	22854	3	3.10			
18	97.82	13027	26422	3	2.68			
17	101.53	13027	27424	3	2.58			
16	112.35	13027	30347	3	2.33			
13	131.49	13027	35516	3	1.99			
12	142.41	13027	38466	3	1.84			
11	158.93	13027	42928	3	1.65			
10	168.50	13027	45513	3	1.56			
9	191.02	13027	51596	3	1.37			

(B) See Footnote page on inside back cover

NOMENCLATURE PAGE RHB-5	DIMENSIONS PAGE RHB-256	THERMAL RATINGS PAGE RHB-364	MOTOR INFORMATION PAGE ENGINEERING-14
----------------------------	----------------------------	---------------------------------	--

RIGHT ANGLE HELICAL BEVEL INTEGRAL GEARMOTORS (RHB) - 1750 RPM 60 Hz

INPUT POWER (HP)	SPEED (RPM)	RATIO	OHL (LBF) (B)	OUTPUT TORQUE (LB-IN)	GEAR STAGE	SERVICE FACTOR (SF)	CATALOG NUMBER
7.5 (CONT.)	9	204.38	13027	55204	3	1.28	B_1483GH132M4
	8	214.96	13027	58062	3	1.22	
	8	231.95	13027	62651	3	1.13	
	7	251.55	13027	67945	3	1.04	
	172	10.17	15278	2747	3	4.37	B_1683GH132M4
	150	11.67	16566	3152	3	4.37	
	92	19.09	17607	5156	3	4.37	
	80	21.90	17607	5915	3	4.37	
	72	24.14	17607	6520	3	4.37	
	61	28.54	18949	7709	3	4.25	
	54	32.53	18949	8787	3	4.07	
	33	53.18	18949	14364	3	4.36	
	29	60.99	18949	16474	3	4.37	
	26	67.22	18949	18157	3	4.37	
	22	79.49	18949	21471	3	4.25	
	19	90.60	18949	24472	3	4.07	
	17	104.18	18949	28140	3	3.84	
	15	119.09	18949	32167	3	3.71	
	13	138.00	18949	37275	3	3.21	
	12	150.36	18949	40613	3	2.94	
	10	167.50	18949	45243	3	2.64	
	10	177.43	18949	47925	3	2.49	
	9	199.54	18949	53897	3	2.22	
	8	213.33	18949	57622	3	2.07	
	8	226.15	18949	61085	3	1.96	
	7	243.80	18949	65852	3	1.81	
7	264.18	18949	71357	3	1.67		
6	287.95	18949	77777	3	1.35		
10	316	5.54	4505	1995	3	2.69	B_883GH132N4
	262	6.69	4505	2409	3	2.54	
	218	8.03	4512	2892	3	2.37	
	186	9.41	4512	3389	3	2.22	
	150	11.64	4512	4192	3	2.69	
	125	14.04	4512	5056	3	2.49	
	104	16.85	4512	6068	3	2.19	
	89	19.75	4512	7113	3	1.96	
	74	23.54	4512	8478	3	1.72	
	69	25.53	4512	9194	3	1.59	
	61	28.50	4512	10264	3	1.42	
	57	30.87	4512	11118	3	1.31	
	51	34.40	4512	12389	3	1.18	
	228	7.68	5586	2766	3	3.02	
	187	9.36	5586	3371	3	2.86	
	160	10.97	5586	3951	3	2.72	

(B) See Footnote page on inside back cover

NOMENCLATURE PAGE RHB-5	DIMENSIONS PAGE RHB-288	THERMAL RATINGS PAGE RHB-364	MOTOR INFORMATION PAGE ENGINEERING-14
----------------------------	----------------------------	---------------------------------	--

RIGHT ANGLE HELICAL BEVEL INTEGRAL GEARMOTORS (RHB) - 1750 RPM 60 Hz

INPUT POWER (HP)	SPEED (RPM)	RATIO	OHL (LBF) (B)	OUTPUT TORQUE (LB-IN)	GEAR STAGE	SERVICE FACTOR (SF)	CATALOG NUMBER	
10 (CONT.)	136	12.90	5586	4646	3	2.55	B_1083GH132N4	
	127	13.74	5586	4948	3	3.02		
	104	16.75	5586	6032	3	2.86		
	89	19.63	5586	7070	3	2.72		
	76	23.08	5586	8312	3	2.55		
	66	26.48	5586	9537	3	2.41		
	56	31.25	5586	11254	3	2.23		
	52	33.87	5586	12198	3	2.07		
	48	36.44	5586	13124	3	1.92		
	39	44.44	5586	16005	3	1.66		
	34	52.08	5586	18756	3	1.42		
	29	61.22	5586	22048	3	1.20		
	25	70.24	5586	25296	3	1.05		
	246	7.10	6907	2557	3	3.27		B_1283GH132N4
	212	8.26	6907	2975	3	3.27		
	191	9.16	6907	3299	3	3.27		
	161	10.88	6907	3918	3	3.27		
	139	12.56	6907	4523	3	3.27		
	135	13.00	6907	4682	3	3.27		
	116	15.13	6907	5449	3	3.27		
	104	16.76	6907	6036	3	3.27		
	88	19.92	6907	7174	3	3.27		
	76	22.99	6907	8280	3	3.27		
	65	27.02	6907	9731	3	3.18		
	57	30.61	6907	11024	3	3.05		
	49	35.92	6907	12936	3	2.88		
	45	39.19	6907	14114	3	2.78		
	42	41.38	6907	14903	3	2.79		
	36	48.14	6907	17337	3	2.40		
	33	53.36	6907	19217	3	2.16		
	28	63.41	6907	22837	3	1.82		
	24	73.18	6907	26355	3	1.58		
	20	85.98	6907	30965	3	1.34		
	18	97.44	6907	35092	3	1.19		
	15	114.34	6907	41179	3	1.01		
	235	7.44	10246	2679	3	3.28	B_1483GH132N4	
	199	8.79	10246	3166	3	3.27		
	116	15.05	11162	5420	3	3.27		
	98	17.77	11951	6400	3	3.27		
88	19.84	11951	7145	3	3.27			
75	23.19	11951	8352	3	3.19			
66	26.58	11951	9573	3	3.05			
57	30.74	12561	11071	3	2.88			
56	31.10	12561	11200	3	3.27			

(B) See Footnote page on inside back cover

NOMENCLATURE PAGE RHB-5	DIMENSIONS PAGE RHB-224	THERMAL RATINGS PAGE RHB-364	MOTOR INFORMATION PAGE ENGINEERING-14
----------------------------	----------------------------	---------------------------------	--

RIGHT ANGLE HELICAL BEVEL INTEGRAL GEARMOTORS (RHB) - 1750 RPM 60 Hz

INPUT POWER (HP)	SPEED (RPM)	RATIO	OHL (LBF) (B)	OUTPUT TORQUE (LB-IN)	GEAR STAGE	SERVICE FACTOR (SF)	CATALOG NUMBER
10 (CONT.)	42	41.38	12561	14903	3	3.27	B_1483GH132N4
	37	47.91	13027	17254	3	3.27	
	31	56.57	13027	20373	3	3.27	
	28	63.16	13027	22747	3	3.11	
	24	73.80	13027	26579	3	2.66	
	21	84.61	13027	30472	3	2.32	
	18	97.82	13027	35229	3	2.01	
	17	101.53	13027	36565	3	1.94	
	16	112.35	13027	40462	3	1.75	
	13	131.49	13027	47355	3	1.50	
	12	142.41	13027	51288	3	1.38	
	11	158.93	13027	57238	3	1.24	
	10	168.50	13027	60684	3	1.17	
	9	191.02	13027	68794	3	1.03	
	172	10.17	15278	3663	3	3.27	B_1683GH132N4
	150	11.67	16566	4203	3	3.27	
	92	19.09	17607	6875	3	3.27	
	80	21.90	17607	7887	3	3.27	
	72	24.14	17607	8694	3	3.27	
	61	28.54	18949	10278	3	3.19	
	54	32.53	18949	11715	3	3.05	
	33	53.18	18949	19152	3	3.27	
	29	60.99	18949	21965	3	3.27	
	26	67.22	18949	24209	3	3.27	
	22	79.49	18949	28628	3	3.19	
	19	90.60	18949	32629	3	3.05	
	17	104.18	18949	37520	3	2.88	
	15	119.09	18949	42889	3	2.78	
13	138.00	18949	49700	3	2.40		
12	150.36	18949	54151	3	2.21		
10	167.50	18949	60324	3	1.98		
10	177.43	18949	63900	3	1.87		
9	199.54	18949	71863	3	1.66		
8	213.33	18949	76829	3	1.56		
8	226.15	18949	81446	3	1.47		
7	243.80	18949	87803	3	1.36		
7	264.18	18949	95143	3	1.26		
6	287.95	18949	103703	3	1.01		

(B) See Footnote page on inside back cover

NOMENCLATURE PAGE RHB-5	DIMENSIONS PAGE RHB-288	THERMAL RATINGS PAGE RHB-364	MOTOR INFORMATION PAGE ENGINEERING-14
----------------------------	----------------------------	---------------------------------	--

DIMENSIONS



QUANTIS

QUANTIS GOLD

ILH

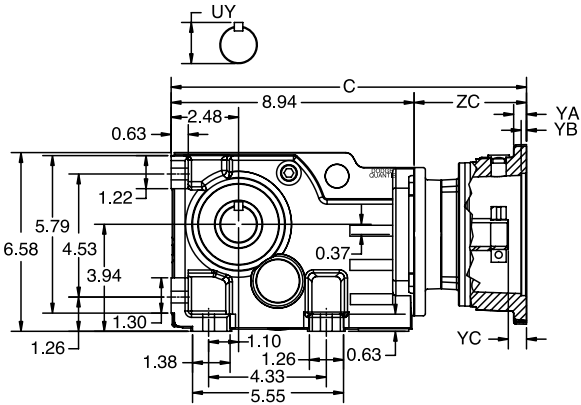
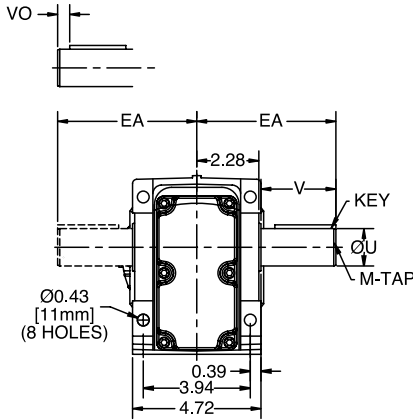
RHB

MSW

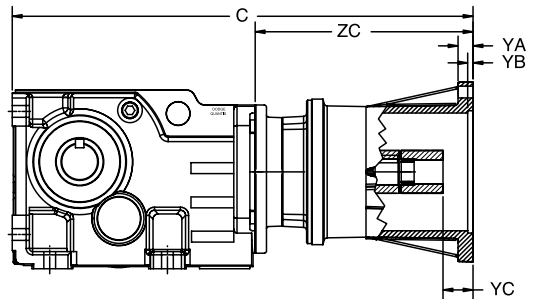
RIGHT ANGLE HELICAL BEVEL (RHB) NEMA C-Face - Foot Mounted - Clamp Collar / 3 Piece Coupled Triple Reduction Solid Output Shaft

SIZE: BB38

METRIC OUTPUT SHAFT



CLAMP COLLAR



THREE-PIECE COUPLED

NOMENCLATURE PAGE RHB-5	MOUNTING POSITIONS PAGE RHB-11	STOCK/NON-STOCK PART NUMBERS PAGE RHB-50	WEIGHTS PAGE RHB-372
----------------------------	-----------------------------------	---	-------------------------

DIMENSIONS



RIGHT ANGLE HELICAL BEVEL (RHB) NEMA C-Face - Foot Mounted - Clamp Collar / 3 Piece Coupled Triple Reduction Solid Output Shaft

SIZE: BB38

STANDARD SOLID OUTPUT SHAFT

Dimension - Inch/MM

ØU	tol.	UY	V	VO	KEY	M-TAP x DEPTH	EA
1.000	+0.0000 -0.0005	1.11	1.97	-	1/4 x 1/4 x 1-5/8	3/8-16 UNC x 0.87	4.33
25	+0.015 +0.002	28	50	5	8 x 7 x 40	M10 x 22	110

OPTIONAL SOLID OUTPUT SHAFT

Dimension - Inch/MM

ØU	tol.	UY	V	VO	KEY	M-TAP x DEPTH	EA
1.375	+0.0000 -0.0005	1.52	2.76	-	5/16 x 5/16 x 2-3/8	3/8-16 UNC x 0.87	5.12
35	+0.018 +0.002	38	70	5	10 x 8 x 56	M12 x 28	130

NEMA MOTOR ADAPTER - CLAMP COLLAR

Dimension - Inch

	C	ZC	YA	YB	YC
56C	12.44	3.50	0.47	0.20	0.67
140TC	13.11	4.17	0.47	0.20	0.67
180TC	13.43	4.49	0.69	0.22	0.93

NEMA MOTOR ADAPTER - 3 PIECE COUPLED

Dimension - Inch

	C	ZC	YA	YB	YC
56C	15.53	6.59	0.55	0.20	1.08
140TC	16.95	8.01	0.55	0.20	1.10
180TC	18.23	9.29	0.87	0.22	1.66

Refer to page Engineering-2 for Input Flange and Shaft details

NOMENCLATURE PAGE RHB-5	MOUNTING POSITIONS PAGE RHB-11	STOCK/NON-STOCK PART NUMBERS PAGE RHB-50	WEIGHTS PAGE RHB-372
----------------------------	-----------------------------------	---	-------------------------

DIMENSIONS



QUANTIS

QUANTIS GOLD

ILH

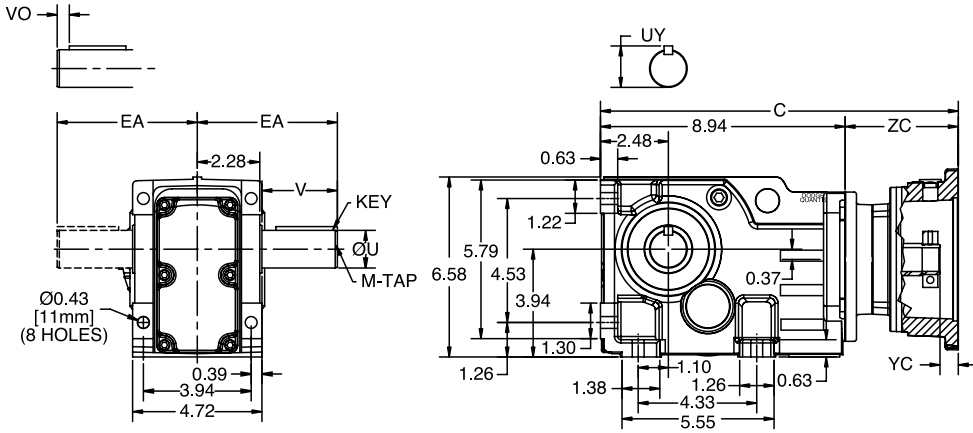
RHB

MSW

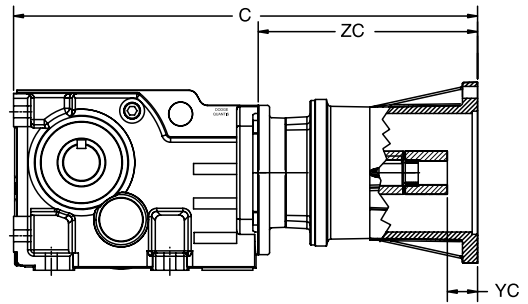
RIGHT ANGLE HELICAL BEVEL (RHB) IEC D-Flange (B5 Input) - Foot Mounted - Clamp Collar / 3 Piece Coupled Triple Reduction Solid Output Shaft

SIZE: BB38

METRIC OUTPUT SHAFT



CLAMP COLLAR



THREE-PIECE COUPLED

NOMENCLATURE PAGE RHB-5	MOUNTING POSITIONS PAGE RHB-11	STOCK/NON-STOCK PART NUMBERS PAGE RHB-50	WEIGHTS PAGE RHB-372
----------------------------	-----------------------------------	---	-------------------------

DIMENSIONS



RIGHT ANGLE HELICAL BEVEL (RHB) IEC D-Flange (B5 Input) - Foot Mounted - Clamp Collar / 3 Piece Coupled Triple Reduction Solid Output Shaft

SIZE: BB38

STANDARD SOLID OUTPUT SHAFT

Dimension - Inch/MM

ØU	tol.	UY	V	VO	KEY	M-TAP x DEPTH	EA
1.000	+0.0000 -0.0005	1.11	1.97	-	1/4 x 1/4 x 1-5/8	3/8-16 UNC x 0.87	4.33
25	+0.015 +0.002	28	50	5	8 x 7 x 40	M10 x 22	110

OPTIONAL SOLID OUTPUT SHAFT

Dimension - Inch/MM

ØU	tol.	UY	V	VO	KEY	M-TAP x DEPTH	EA
1.375	+0.0000 -0.0005	1.52	2.76	-	5/16 x 5/16 x 2-3/8	3/8-16 UNC x 0.87	5.12
35	+0.018 +0.002	38	70	5	10 x 8 x 56	M12 x 28	130

IEC MOTOR ADAPTER - CLAMP COLLAR

Dimension - Inch

	C	ZC	YC
71D	11.70	2.76	0.16
80D	12.64	3.70	0.61
90D	12.64	3.70	0.61
100D	12.94	4.00	0.28

IEC MOTOR ADAPTER - 3 PIECE COUPLED

Dimension - Inch

	C	ZC	YC
80D	16.87	7.93	0.59
90D	16.87	7.93	1.02
100D	17.76	8.82	1.18

Refer to page Engineering-3 for Input Flange and Shaft details.

QUANTIS

QUANTIS GOLD

ILH

RHB

MSM

NOMENCLATURE PAGE RHB-5	MOUNTING POSITIONS PAGE RHB-11	STOCK/NON-STOCK PART NUMBERS PAGE RHB-50	WEIGHTS PAGE RHB-372
----------------------------	-----------------------------------	---	-------------------------

DIMENSIONS



RIGHT ANGLE HELICAL BEVEL (RHB)

SIZE: BB38

Separate - Foot Mounted
Triple Reduction
Solid Output Shaft

QUANTIS

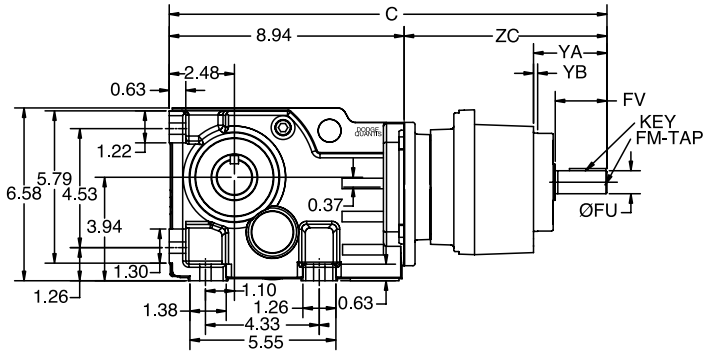
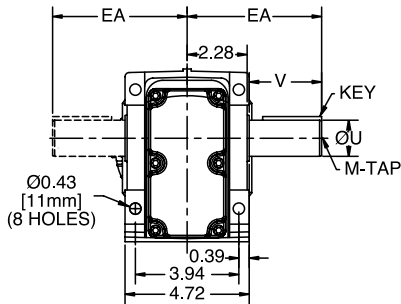
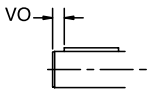
QUANTIS GOLD

ILH

RHB

MSW

METRIC OUTPUT SHAFT



METRIC INPUT SHAFT



NOMENCLATURE
PAGE RHB-5

MOUNTING POSITIONS
PAGE RHB-11

STOCK/NON-STOCK PART NUMBERS
PAGE RHB-50

WEIGHTS
PAGE RHB-372

DIMENSIONS



RIGHT ANGLE HELICAL BEVEL (RHB)

SIZE: BB38

Separate - Foot Mounted
Triple Reduction
Solid Output Shaft

STANDARD SOLID OUTPUT SHAFT

Dimension - Inch/MM

ØU	tol.	UY	V	VO	KEY	M-TAP x DEPTH	EA
1.000	+0.0000 -0.0005	1.11	1.97	-	1/4 x 1/4 x 1-5/8	3/8-16 UNC x 0.87	4.33
25	+0.015 +0.002	28	50	5	8 x 7 x 40	M10 x 22	110

OPTIONAL SOLID OUTPUT SHAFT

Dimension - Inch/MM

ØU	tol.	UY	V	VO	KEY	M-TAP x DEPTH	EA
1.375	+0.0000 -0.0005	1.52	2.76	-	5/16 x 5/16 x 2-3/8	3/8-16 UNC x 0.87	5.12
35	+0.018 +0.002	38	70	5	10 x 8 x 56	M12 x 28	130

SEPARATE INPUT

Dimension - Inch/MM

	C	ZC	FO	FM x Depth	ØFU	tol.	FV	YA	YB	Key
71	14.89	5.95	---	8-32 UNC x 0.49	0.625	+0.0000 -0.0005	1.57	2.40	0.16	3/16 x 3/16 x 1-5/16
	378	151	4	M5 x 12.5	16	+0.012 +0.001	40			5 x 5 x 32
80	16.27	7.33	---	1/4-20 UNC x 0.63	0.750	+0.0000 -0.0005	1.57	2.40	0.16	3/16 x 3/16 x 1-5/16
	413	186	4	M6 x 16	19	+0.015 +0.002	40			6 x 6 x 32
90	16.66	7.72	---	5/16-18 UNC x 0.75	0.875	+0.0000 -0.0005	1.97	2.80	0.16	3/16 x 3/16 x 1-5/8
	423	196	5	M8 x 19	24	+0.015 +0.002	50			8 x 7 x 40
100	17.29	8.35	---	3/8-16 UNC x 0.87	1.125	+0.0000 -0.0005	2.36	3.27	0.16	1/4 x 1/4 x 2
	439	212	5	M10 x 22	28	+0.015 +0.002	60			8 x 7 x 50

Refer to page Engineering-4 for Input Flange and Shaft details.

NOMENCLATURE PAGE RHB-5	MOUNTING POSITIONS PAGE RHB-11	STOCK/NON-STOCK PART NUMBERS PAGE RHB-50	WEIGHTS PAGE RHB-372
----------------------------	-----------------------------------	---	-------------------------

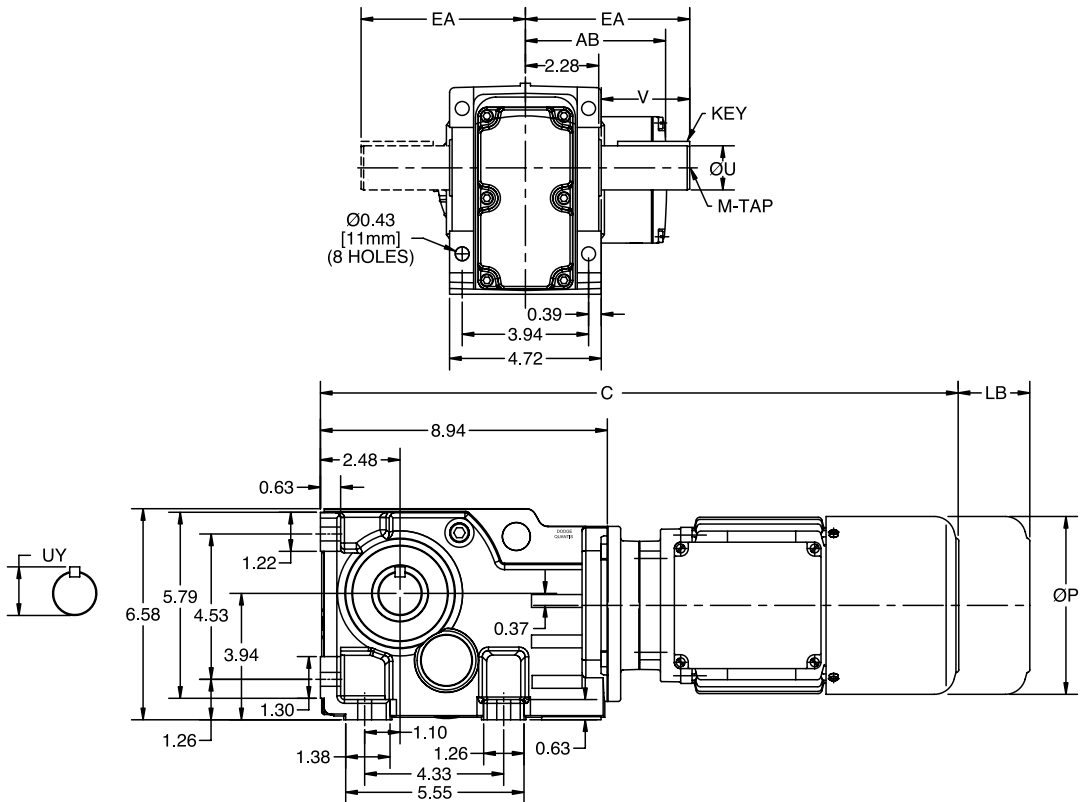
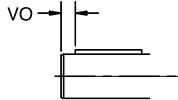
DIMENSIONS



RIGHT ANGLE HELICAL BEVEL (RHB) Integral Gearmotor - Foot Mounted Triple Reduction Solid Output Shaft

SIZE: BB38

METRIC OUTPUT SHAFT



NOMENCLATURE
PAGE RHB-5

MOUNTING POSITIONS
PAGE RHB-11

STOCK/NON-STOCK PART NUMBERS
PAGE RHB-50

WEIGHTS
PAGE RHB-372

DIMENSIONS



RIGHT ANGLE HELICAL BEVEL (RHB)

SIZE: BB38

Integral Gearmotor - Foot Mounted

Triple Reduction

Solid Output Shaft

STANDARD SOLID OUTPUT SHAFT

Dimension - Inch/MM

ØU	tol.	UY	V	VO	KEY	M-TAP x DEPTH	EA
1.000	+0.0000 -0.0005	1.11	1.97	-	1/4 x 1/4 x 1-5/8	3/8-16 UNC x 0.87	4.33
25	+0.015 +0.002	28	50	5	8 x 7 x 40	M10 x 22	110

OPTIONAL SOLID OUTPUT SHAFT

Dimension - Inch/MM

ØU	tol.	UY	V	VO	KEY	M-TAP x DEPTH	EA
1.375	+0.0000 -0.0005	1.52	2.76	-	5/16 x 5/16 x 2-3/8	3/8-16 UNC x 0.87	5.12
35	+0.018 +0.002	38	70	5	10 x 8 x 56	M12 x 28	130

MOTOR

Dimension - Inch/MM

Frame	C	LB	P	AB
71C4 / 71D4 / 71E4	19.48	1.81	6.19	5.18
	495	46	158	132
80F4	19.62	2.56	6.19	5.12
	499	65	158	131
80G4	21.12	2.56	6.19	5.12
	537	65	158	131
90H4	21.05	2.52	7.19	5.79
	535	64	183	148
90I4	21.94	2.52	7.19	5.79
	558	64	183	148
100J4	23.94	2.91	7.19	5.79
	609	74	183	148

DIMENSIONS



QUANTIS

QUANTIS GOLD

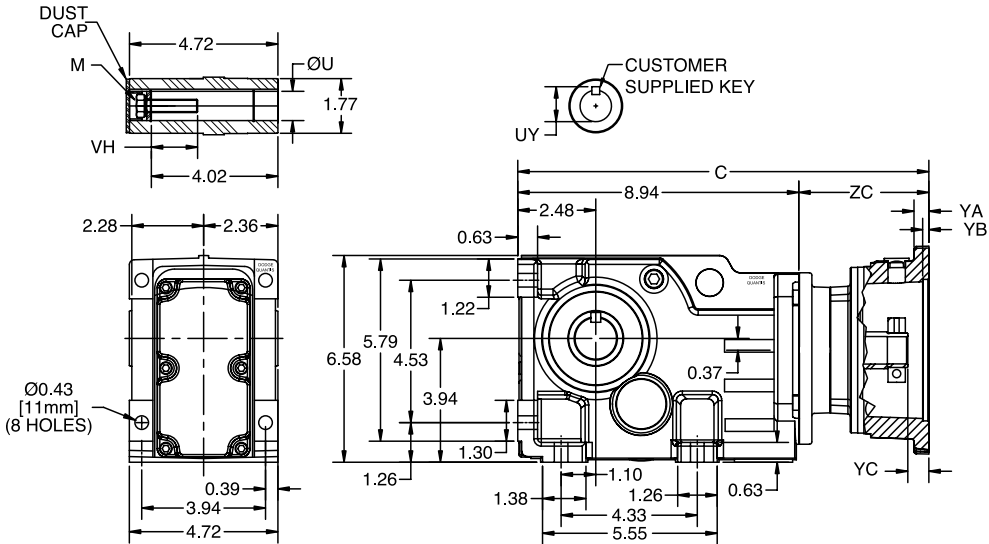
ILH

RHB

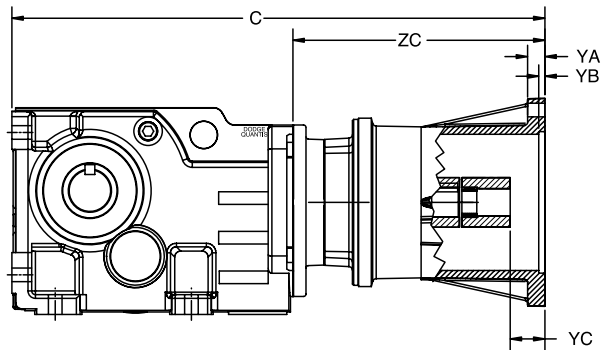
MSW

RIGHT ANGLE HELICAL BEVEL (RHB) NEMA C-Face - Foot Mounted - Clamp Collar / 3 Piece Coupled Triple Reduction Straight Hollow Bore Output Shaft

SIZE: BB38



CLAMP COLLAR



THREE-PIECE COUPLED

NOMENCLATURE PAGE RHB-5	MOUNTING POSITIONS PAGE RHB-11	STOCK/NON-STOCK PART NUMBERS PAGE RHB-50	WEIGHTS PAGE RHB-372
----------------------------	-----------------------------------	---	-------------------------

DIMENSIONS



RIGHT ANGLE HELICAL BEVEL (RHB) NEMA C-Face - Foot Mounted - Clamp Collar / 3 Piece Coupled Triple Reduction Straight Hollow Bore Output Shaft

SIZE: BB38

HOLLOW OUTPUT SHAFT

Dimension - Inch/MM

ØU	tol.	UY	VH	KEY	M
1.250	+0.0010 +0.0004	1.38	1.47	1/4 x 1/4 x 1-7/8	3/8-16 x 1-3/4 UNC
30	+0.020 -0.007	33	31	8 x 7 x 40	M10 x 40

NEMA MOTOR ADAPTER - CLAMP COLLAR

Dimension - Inch

	C	ZC	YA	YB	YC
56C	12.44	3.50	0.47	0.20	0.67
140TC	13.11	4.17	0.47	0.20	0.67
180TC	13.43	4.49	0.69	0.22	0.93

NEMA MOTOR ADAPTER - 3 PIECE COUPLED

Dimension - Inch

	C	ZC	YA	YB	YC
56C	15.53	6.59	0.55	0.20	1.08
140TC	16.95	8.01	0.55	0.20	1.10

Refer to page Engineering-2 for Input Flange and Shaft details.
Refer to page Engineering-8 and Engineering-9 for driven shaft dimensions.
Refer to page RHB-350 for Twin Tapered Bushing details.

QUANTIS

QUANTIS GOLD

ILH

RHB

MSM

NOMENCLATURE PAGE RHB-5	MOUNTING POSITIONS PAGE RHB-11	STOCK/NON-STOCK PART NUMBERS PAGE RHB-50	WEIGHTS PAGE RHB-372
----------------------------	-----------------------------------	---	-------------------------

DIMENSIONS



QUANTIS

QUANTIS GOLD

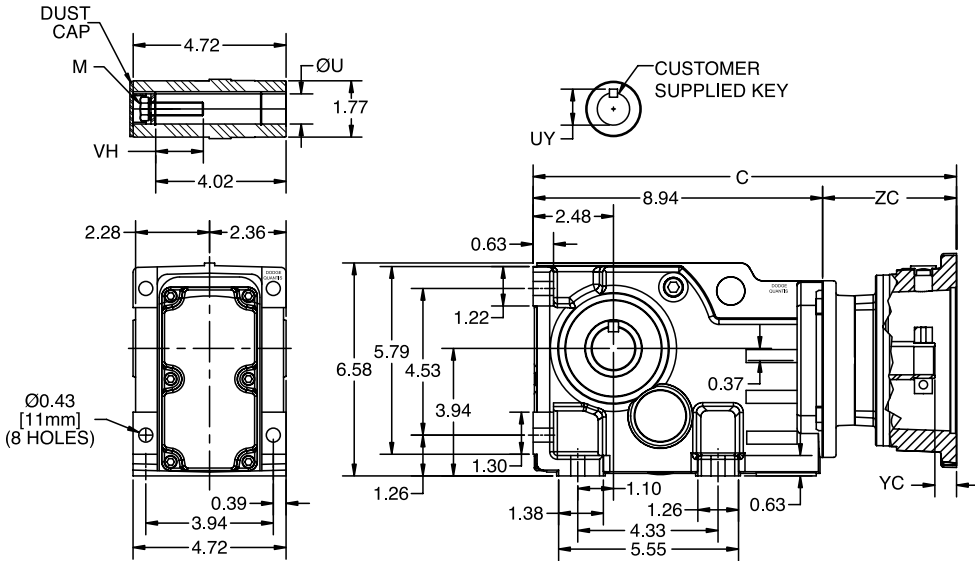
ILH

RHB

MSW

RIGHT ANGLE HELICAL BEVEL (RHB)
IEC D Flange (B5 Input) - Foot Mounted - Clamp Collar / 3 Piece Coupled
Triple Reduction
Straight Hollow Bore Output Shaft

SIZE: BB38



CLAMP COLLAR

THREE-PIECE COUPLED

NOMENCLATURE PAGE RHB-5	MOUNTING POSITIONS PAGE RHB-11	STOCK/NON-STOCK PART NUMBERS PAGE RHB-50	WEIGHTS PAGE RHB-372
----------------------------	-----------------------------------	---	-------------------------

DIMENSIONS



RIGHT ANGLE HELICAL BEVEL (RHB) IEC D Flange (B5 Input) - Foot Mounted - Clamp Collar / 3 Piece Coupled Triple Reduction Straight Hollow Bore Output Shaft

SIZE: BB38

HOLLOW OUTPUT SHAFT

Dimension - Inch/MM

ØU	tol.	UY	VH	KEY	M
1.250	+0.0010 +0.0004	1.38	1.47	1/4 x 1/4 x 1-7/8	3/8-16 x 1-3/4 UNC
30	+0.020 -0.007	33	31	8 x 7 x 40	M10 x 40

IEC MOTOR ADAPTER - CLAMP COLLAR

Dimension - Inch

	C	ZC	YC
71D	11.70	2.76	0.16
80D	12.64	3.70	0.61
90D	12.64	3.70	0.61
100D	12.94	4.00	0.28

IEC MOTOR ADAPTER - 3 PIECE COUPLED

Dimension - Inch

	C	ZC	YC
80D	16.87	7.93	0.59
90D	16.87	7.93	1.02
100D	17.76	8.82	1.18

Refer to page Engineering-3 for Input Flange and Shaft details.
Refer to page Engineering-8 and Engineering-9 for driven shaft dimensions.
Refer to page RHB-350 for Twin Tapered Bushing details.

QUANTIS

QUANTIS GOLD

ILH

RHB

MSM

NOMENCLATURE PAGE RHB-5	MOUNTING POSITIONS PAGE RHB-11	STOCK/NON-STOCK PART NUMBERS PAGE RHB-50	WEIGHTS PAGE RHB-372
----------------------------	-----------------------------------	---	-------------------------

DIMENSIONS



RIGHT ANGLE HELICAL BEVEL (RHB)

SIZE: BB38

Separate - Foot Mounted

Triple Reduction

Straight Hollow Bore Output Shaft

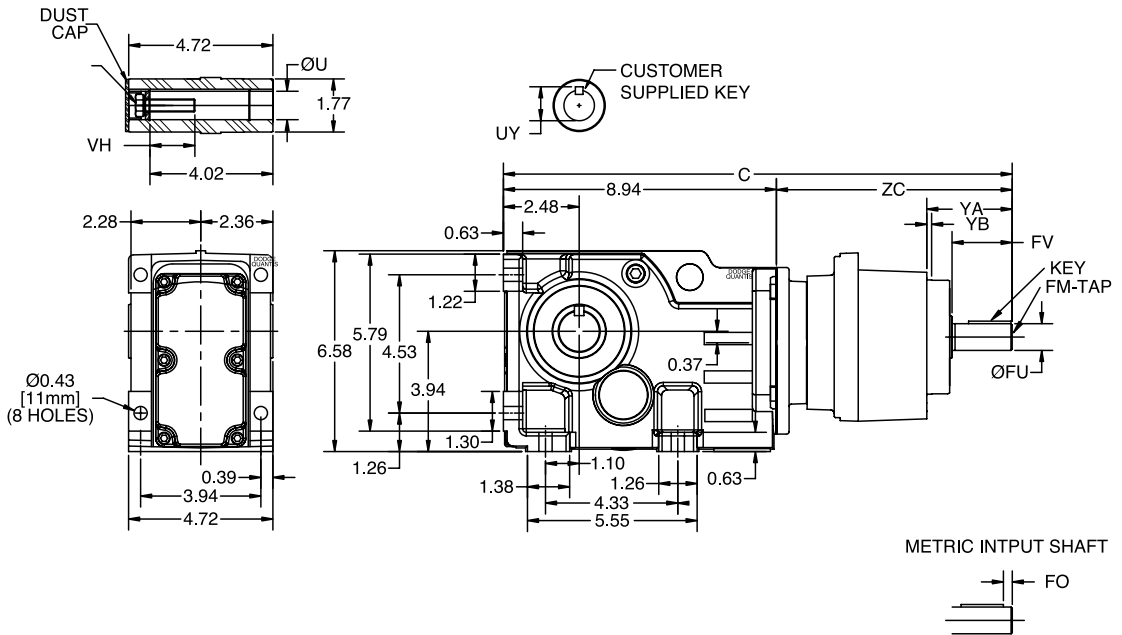
QUANTIS

QUANTIS GOLD

ILH

RHB

MSW



NOMENCLATURE PAGE RHB-5	MOUNTING POSITIONS PAGE RHB-11	STOCK/NON-STOCK PART NUMBERS PAGE RHB-50	WEIGHTS PAGE RHB-372
----------------------------	-----------------------------------	---	-------------------------

RIGHT ANGLE HELICAL BEVEL (RHB)

SIZE: BB38

Separate - Foot Mounted
Triple Reduction
Straight Hollow Bore Output Shaft

HOLLOW OUTPUT SHAFT

Dimension - Inch/MM

ØU	tol.	UY	VH	KEY	M
1.250	+0.0010 +0.0004	1.38	1.47	1/4 x 1/4 x 1-7/8	3/8-16 x 1-3/4 UNC
30	+0.020 +0.007	33	31	8 x 7 x 40	M10 x 40

SEPARATE INPUT

Dimension - Inch/MM

	C	ZC	FO	FM x Depth	ØFU	tol.	FV	YA	YB	Key
71	14.89	5.95	---	8-32 UNC x 0.49	0.625	+0.0000 -0.0005	1.57	2.40	0.16	3/16 x 3/16 x 1-5/16
	378	151	4	M5 x 12.5	16	+0.012 +0.001	40			5 x 5 x 32
80	16.27	7.33	---	1/4-20 UNC x 0.63	0.750	+0.0000 -0.0005	1.57	2.40	0.16	3/16 x 3/16 x 1-5/16
	413	186	4	M6 x 16	19	+0.015 +0.002	40			6 x 6 x 32
90	16.66	7.72	---	5/16-18 UNC x 0.75	0.875	+0.0000 -0.0005	1.97	2.80	0.16	3/16 x 3/16 x 1-5/8
	423	196	5	M8 x 19	24	+0.015 +0.002	50			8 x 7 x 40
100	17.29	8.35	---	3/8-16 UNC x 0.87	1.125	+0.0000 -0.0005	2.36	3.27	0.16	1/4 x 1/4 x 2
	4.39	212	5	M10 x 22	28	+0.015 +0.002	60			8 x 7 x 50

Refer to page Engineering-4 for Input Flange and Shaft details.
Refer to page Engineering-8 and Engineering-9 for driven shaft dimensions.
Refer to page RHB-350 for Twin Tapered Bushing details.

NOMENCLATURE PAGE RHB-5	MOUNTING POSITIONS PAGE RHB-11	STOCK/NON-STOCK PART NUMBERS PAGE RHB-50	WEIGHTS PAGE RHB-372
----------------------------	-----------------------------------	---	-------------------------

DIMENSIONS



QUANTIS

QUANTIS GOLD

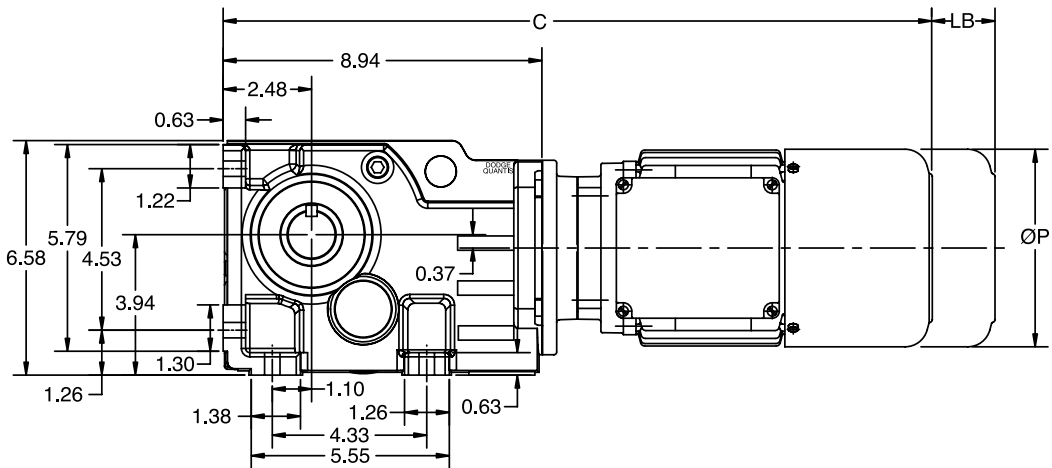
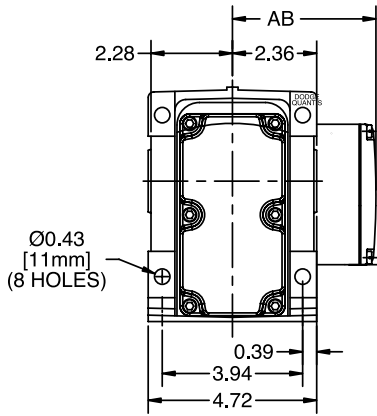
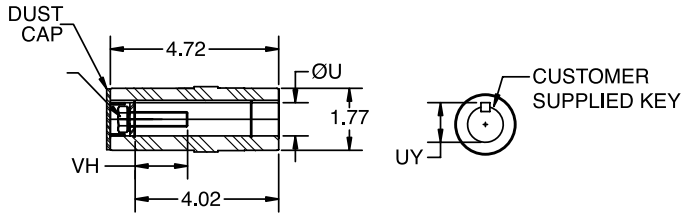
ILH

RHB

MSW

RIGHT ANGLE HELICAL BEVEL (RHB) Integral Gearmotor - Foot Mounted Triple Reduction Straight Hollow Bore Output Shaft

SIZE: BB38



NOMENCLATURE PAGE RHB-5	MOUNTING POSITIONS PAGE RHB-11	STOCK/NON-STOCK PART NUMBERS PAGE RHB-50	WEIGHTS PAGE RHB-372
----------------------------	-----------------------------------	---	-------------------------

DIMENSIONS



RIGHT ANGLE HELICAL BEVEL (RHB)

SIZE: BB38

Integral Gearmotor - Foot Mounted
Triple Reduction
Straight Hollow Bore Output Shaft

STANDARD HOLLOW OUTPUT SHAFT

Dimension - Inch/MM

ØU	tol.	UY	VH	KEY	M
1.250	+0.0010 +0.0004	1.38	1.47	1/4 x 1/4 x 1-7/8	3/8-16 x 1-3/4 UNC
30	+0.020 +0.007	33	31	8 x 7 x 40	M10 x 40

MOTOR

Dimension - Inch/MM

Frame	C	LB	P	AB
71C4 / 71D4 / 71E4	19.48	1.81	6.19	5.18
	495	46	158	132
80F4	19.62	2.56	6.19	5.12
	499	65	158	131
80G4	21.12	2.56	6.19	5.12
	537	65	158	131
90H4	21.05	2.52	7.19	5.79
	535	64	183	148
90I4	21.94	2.52	7.19	5.79
	558	64	183	148
100J4	23.94	2.91	7.19	5.79
	609	74	183	148

Refer to page Engineering-8 and Engineering-9 for driven shaft dimensions.
Refer to page RHB-350 for Twin Tapered Bushing details.

QUANTIS

QUANTIS GOLD

ILH

RHB

MSM

NOMENCLATURE PAGE RHB-5	MOUNTING POSITIONS PAGE RHB-11	STOCK/NON-STOCK PART NUMBERS PAGE RHB-50	WEIGHTS PAGE RHB-372
----------------------------	-----------------------------------	---	-------------------------

DIMENSIONS



QUANTIS

QUANTIS GOLD

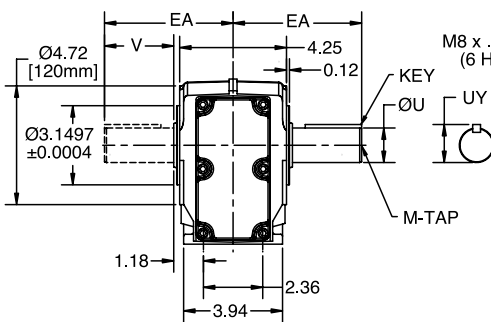
ILH

RHB

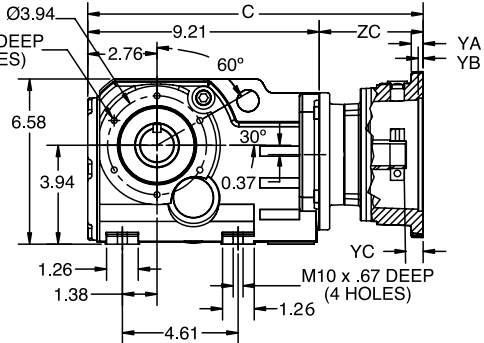
MSW

RIGHT ANGLE HELICAL BEVEL (RHB) NEMA C-Face - Flange Mounted (B5 / B14) - Clamp Collar / 3 Piece Coupled Triple Reduction Solid Output Shaft

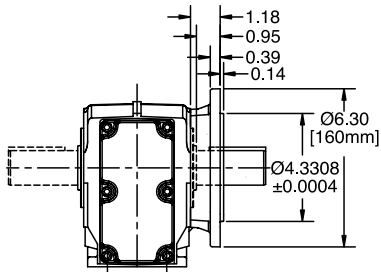
SIZE: BF38



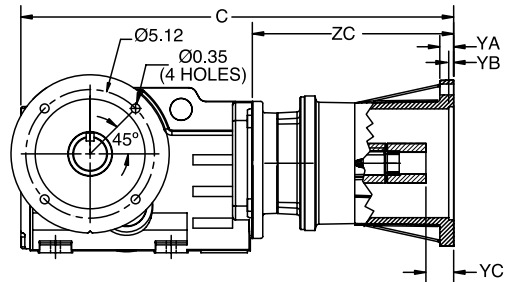
**B14 OUTPUT FLANGE -
Ø120mm**



CLAMP COLLAR

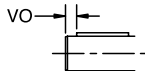


**B5 OUTPUT FLANGE -
Ø160mm**



THREE-PIECE COUPLED

METRIC OUTPUT SHAFT



NOMENCLATURE PAGE RHB-5	MOUNTING POSITIONS PAGE RHB-11	STOCK/NON-STOCK PART NUMBERS PAGE RHB-50	WEIGHTS PAGE RHB-372
----------------------------	-----------------------------------	---	-------------------------

DIMENSIONS



RIGHT ANGLE HELICAL BEVEL (RHB) NEMA C-Face - Flange Mounted (B5 / B14) - Clamp Collar / 3 Piece Coupled Triple Reduction Solid Output Shaft

SIZE: BF38

STANDARD SOLID OUTPUT SHAFT

Dimension - Inch/MM

ØU	tol.	UY	V	VO	KEY	M-TAP x DEPTH	EA
1.000	+0.0000 -0.0005	1.11	1.97	-	1/4 x 1/4 x 1-5/8	3/8-16 UNC x 0.87	4.33
25	+0.015 +0.002	28	50	5	8 x 7 x 40	M10 x 22	110

OPTIONAL SOLID OUTPUT SHAFT

Dimension - Inch/MM

ØU	tol.	UY	V	VO	KEY	M-TAP x DEPTH	EA
1.375	+0.0000 -0.0005	1.52	2.76	-	5/16 x 5/16 x 2-3/8	3/8-16 UNC x 0.87	5.12
35	+0.018 +0.002	38	70	5	10 x 8 x 56	M12 x 28	130

NEMA MOTOR ADAPTER - CLAMP COLLAR

Dimension - Inch

	C	ZC	YA	YB	YC
56C	12.71	3.50	0.47	0.20	0.67
140TC	13.38	4.17	0.47	0.20	0.67
180TC	13.70	4.49	0.69	0.22	0.93

NEMA MOTOR ADAPTER - 3 PIECE COUPLED

Dimension - Inch

	C	ZC	YA	YB	YC
56C	15.80	6.59	0.55	0.20	1.08
140TC	17.22	8.01	0.55	0.20	1.10

Refer to page Engineering-2 for Input Flange and Shaft details.

QUANTIS

QUANTIS GOLD

ILH

RHB

MSM

NOMENCLATURE PAGE RHB-5	MOUNTING POSITIONS PAGE RHB-11	STOCK/NON-STOCK PART NUMBERS PAGE RHB-60	WEIGHTS PAGE RHB-372
----------------------------	-----------------------------------	---	-------------------------

DIMENSIONS



QUANTIS

QUANTIS GOLD

ILH

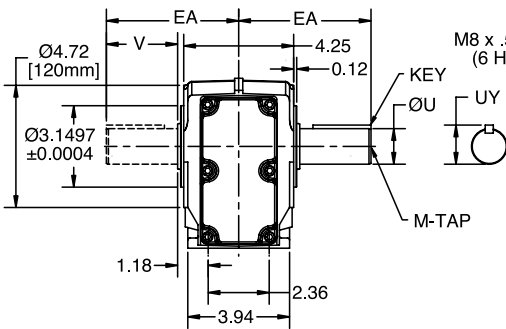
RHB

MSW

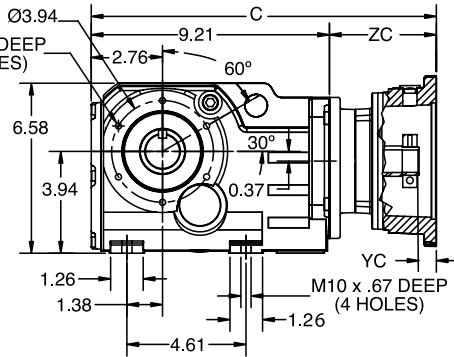
RIGHT ANGLE HELICAL BEVEL (RHB)

SIZE: BF38

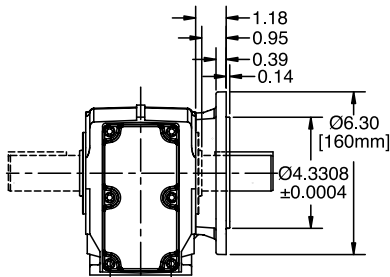
IEC D Flange (B5 Input) - Flange Mounted (B5 / B14) - Clamp Collar / 3 Piece Coupled
Triple Reduction
Solid Output Shaft



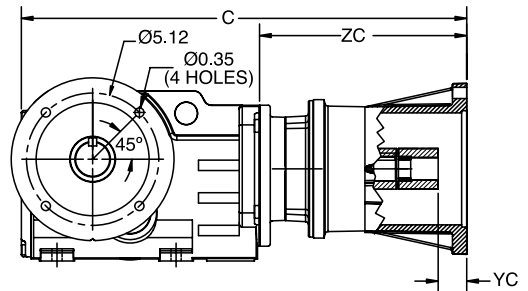
B14 OUTPUT FLANGE -
Ø120mm



CLAMP COLLAR

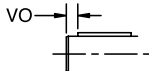


B5 OUTPUT FLANGE -
Ø160mm



THREE-PIECE COUPLED

METRIC OUTPUT SHAFT



NOMENCLATURE
PAGE RHB-5

MOUNTING POSITIONS
PAGE RHB-11

STOCK/NON-STOCK PART NUMBERS
PAGE RHB-50

WEIGHTS
PAGE RHB-372

RIGHT ANGLE HELICAL BEVEL (RHB) SIZE: BF38

IEC D Flange (B5 Input) - Flange Mounted (B5 / B14) - Clamp Collar / 3 Piece Coupled
Triple Reduction
Solid Output Shaft

STANDARD SOLID OUTPUT SHAFT

Dimension - Inch/MM

ØU	tol.	UY	V	VO	KEY	M-TAP x DEPTH	EA
1.000	+0.0000 -0.0005	1.11	1.97	-	1/4 x 1/4 x 1-5/8	3/8-16 UNC x 0.87	4.33
25	+0.015 +0.002	28	50	5	8 x 7 x 40	M10 x 22	110

OPTIONAL SOLID OUTPUT SHAFT

Dimension - Inch/MM

ØU	tol.	UY	V	VO	KEY	M-TAP x DEPTH	EA
1.375	+0.0000 -0.0005	1.52	2.76	-	5/16 x 5/16 x 2-3/8	3/8-16 UNC x 0.87	5.12
35	+0.018 +0.002	38	70	5	10 x 8 x 56	M12 x 28	130

IEC MOTOR ADAPTER - CLAMP COLLAR

Dimension - Inch

	C	ZC	YC
71D	11.97	2.76	0.16
80D	12.91	3.70	0.61
90D	12.91	3.70	0.61
100D	13.21	4.00	0.28

IEC MOTOR ADAPTER - 3 PIECE COUPLED

Dimension - Inch

	C	ZC	YC
80D	17.14	7.93	0.59
90D	17.14	7.93	1.02
100D	18.03	8.82	1.18

Refer to page Engineering-3 for Input Flange and Shaft details.

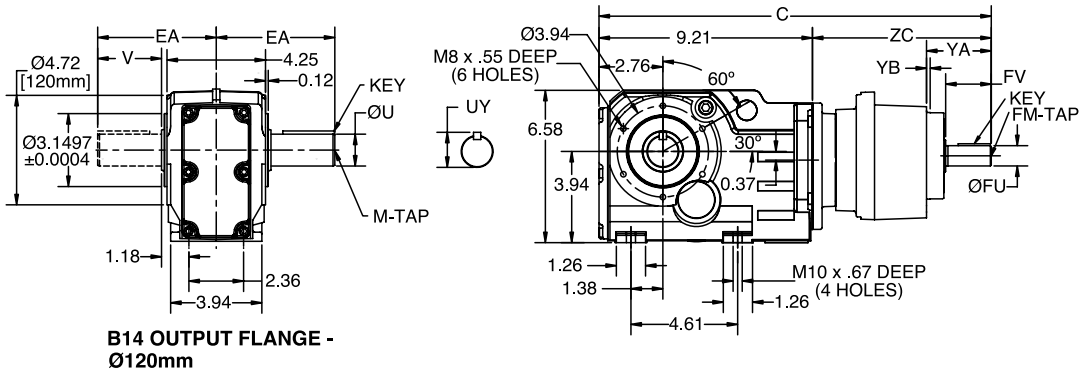
NOMENCLATURE PAGE RHB-5	MOUNTING POSITIONS PAGE RHB-11	STOCK/NON-STOCK PART NUMBERS PAGE RHB-50	WEIGHTS PAGE RHB-372
----------------------------	-----------------------------------	---	-------------------------

DIMENSIONS

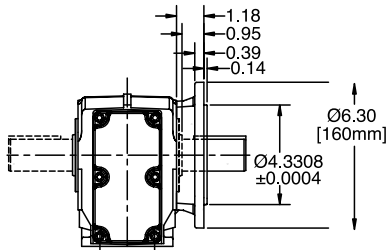


RIGHT ANGLE HELICAL BEVEL (RHB) Separate - Flange Mounted (B5 / B14) Triple Reduction Solid Output Shaft

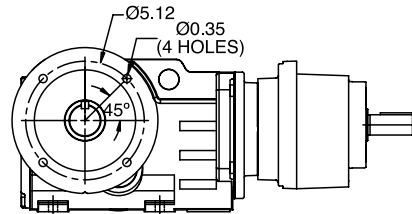
SIZE: BF38



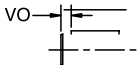
**B14 OUTPUT FLANGE -
Ø120mm**



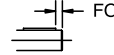
**B5 OUTPUT FLANGE -
Ø160mm**



METRIC OUTPUT SHAFT



METRIC INPUT SHAFT



NOMENCLATURE
PAGE RHB-5

MOUNTING POSITIONS
PAGE RHB-11

STOCK/NON-STOCK PART NUMBERS
PAGE RHB-50

WEIGHTS
PAGE RHB-372

DIMENSIONS



RIGHT ANGLE HELICAL BEVEL (RHB)

SIZE: BF38

Separate - Flange Mounted (B5 / B14)

Triple Reduction

Solid Output Shaft

STANDARD SOLID OUTPUT SHAFT

Dimension - Inch/MM

ØU	tol.	UY	V	VO	KEY	M-TAP x DEPTH	EA
1.000	+0.0000 -0.0005	1.11	1.97	-	1/4 x 1/4 x 1-5/8	3/8-16 UNC x 0.87	4.33
25	+0.015 +0.002	28	50	5	8 x 7 x 40	M10 x 22	110

OPTIONAL SOLID OUTPUT SHAFT

Dimension - Inch/MM

ØU	tol.	UY	V	VO	KEY	M-TAP x DEPTH	EA
1.375	+0.0000 -0.0005	1.52	2.76	-	5/16 x 5/16 x 2-3/8	3/8-16 UNC x 0.87	5.12
35	+0.018 +0.002	38	70	5	10 x 8 x 56	M12 x 28	130

SEPARATE INPUT

Dimension - Inch/MM

	C	ZC	FO	FM x Depth	ØFU	tol.	FV	YA	YB	Key
71	15.16	5.95	---	8-32 UNC x 0.49	0.625	+0.0000 -0.0005	1.57	2.40	0.16	3/16 x 3/16 x 1-5/16
	385	151	4	M5 x 12.5	16	+0.012 +0.001	40			5 x 5 x 32
80	16.54	7.33	---	1/4-20 UNC x 0.63	0.750	+0.0000 -0.0005	1.57	2.40	0.16	3/16 x 3/16 x 1-5/16
	420	186	4	M6 x 16	19	+0.015 +0.002	40			6 x 6 x 32
90	16.93	7.72	---	5/16-18 UNC x 0.75	0.875	+0.0000 -0.0005	1.97	2.80	0.16	3/16 x 3/16 x 1-5/8
	430	196	5	M8 x 19	24	+0.015 +0.002	50			8 x 7 x 40
100	17.56	8.35	---	3/8-16 UNC x 0.87	1.125	+0.0000 -0.0005	2.36	3.27	0.16	1/4 x 1/4 x 2
	4.46	212	5	M10 x 22	28	+0.015 +0.002	60			8 x 7 x 50

Refer to page Engineering-4 for Input Flange and Shaft details

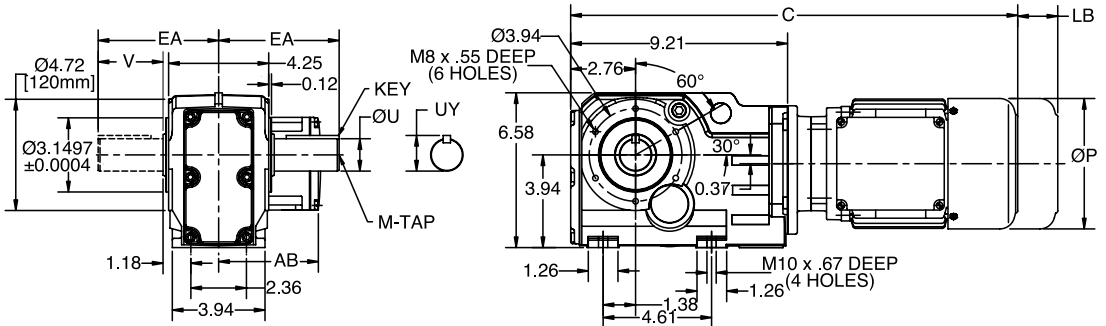
NOMENCLATURE PAGE RHB-5	MOUNTING POSITIONS PAGE RHB-11	STOCK/NON-STOCK PART NUMBERS PAGE RHB-50	WEIGHTS PAGE RHB-372
----------------------------	-----------------------------------	---	-------------------------

DIMENSIONS

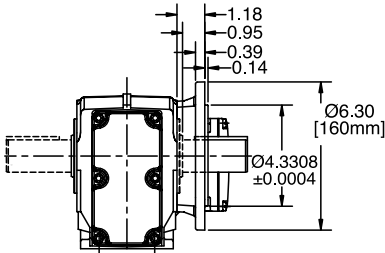


RIGHT ANGLE HELICAL BEVEL (RHB) Integral Gearmotor - Flange Mounted (B5 / B14) Triple Reduction Solid Output Shaft

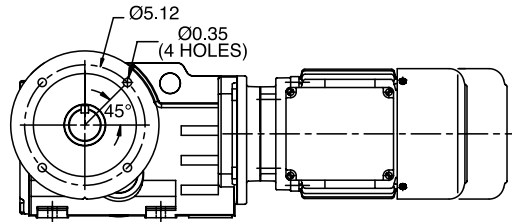
SIZE: BF38



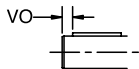
**B14 OUTPUT FLANGE -
Ø120mm**



**B5 OUTPUT FLANGE -
Ø160mm**



METRIC OUTPUT SHAFT



QUANTIS

QUANTIS GOLD

ILH

RHB

MSW

NOMENCLATURE PAGE RHB-5	MOUNTING POSITIONS PAGE RHB-11	STOCK/NON-STOCK PART NUMBERS PAGE RHB-50	WEIGHTS PAGE RHB-372
----------------------------	-----------------------------------	---	-------------------------

DIMENSIONS



RIGHT ANGLE HELICAL BEVEL (RHB) Integral Gearmotor - Flange Mounted (B5 / B14) Triple Reduction Solid Output Shaft

SIZE: BF38

STANDARD SOLID OUTPUT SHAFT

Dimension - Inch/MM

ØU	tol.	UY	V	VO	KEY	M-TAP x DEPTH	EA
1.000	+0.0000 -0.0005	1.11	1.97	-	1/4 x 1/4 x 1-5/8	3/8-16 UNC x 0.87	4.33
25	+0.015 +0.002	28	50	7	8 x 7 x 40	M10 x 22	110

OPTIONAL SOLID OUTPUT SHAFT

Dimension - Inch/MM

ØU	tol.	UY	V	VO	KEY	M-TAP x DEPTH	EA
1.375	+0.0000 -0.0005	1.52	2.76	-	5/16 x 5/16 x 2-3/8	3/8-16 UNC x 0.87	5.12
35	+0.018 +0.002	38	70	5	10 x 8 x 56	M12 x 28	130

MOTOR

Dimension - Inch/MM

Frame	C	LB	P	AB
71C4 / 71D4 / 71E4	19.76	1.81	6.19	5.18
	502	46	158	132
80F4	19.9	2.56	6.19	5.12
	506	65	158	131
80G4	21.4	2.56	6.19	5.12
	544	65	158	131
90H4	21.33	2.52	7.19	5.79
	542	64	183	148
90I4	22.21	2.52	7.19	5.79
	565	64	183	148
100J4	24.21	2.91	7.19	5.79
	615	74	183	148

QUANTIS

QUANTIS GOLD

ILH

RHB

MSM

NOMENCLATURE PAGE RHB-5	MOUNTING POSITIONS PAGE RHB-11	STOCK/NON-STOCK PART NUMBERS PAGE RHB-50	WEIGHTS PAGE RHB-372
----------------------------	-----------------------------------	---	-------------------------

DIMENSIONS



QUANTIS

QUANTIS GOLD

ILH

RHB

MSW

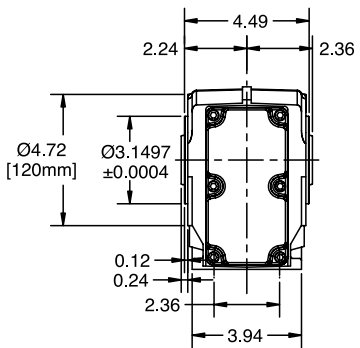
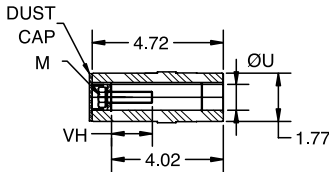
RIGHT ANGLE HELICAL BEVEL (RHB)

SIZE: BF38

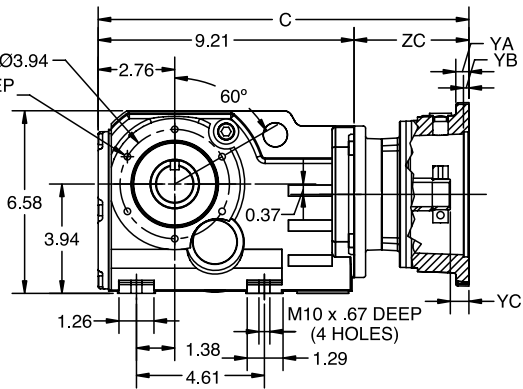
NEMA C-Face - Flange Mounted (B5 / B14) - Clamp Collar / 3 Piece Coupled

Triple Reduction

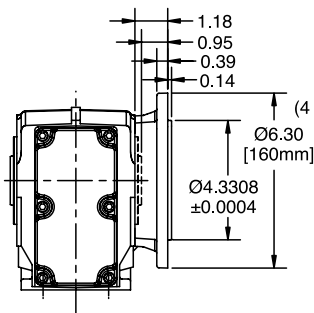
Straight Hollow Bore Output Shaft



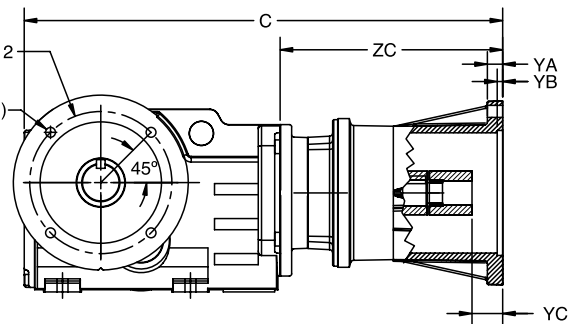
B14 OUTPUT FLANGE -
Ø120mm



CLAMP COLLAR



B5 OUTPUT FLANGE -
Ø160mm



THREE-PIECE COUPLED

NOMENCLATURE
PAGE RHB-5

MOUNTING POSITIONS
PAGE RHB-11

STOCK/NON-STOCK PART NUMBERS
PAGE RHB-50

WEIGHTS
PAGE RHB-372

DIMENSIONS



RIGHT ANGLE HELICAL BEVEL (RHB) NEMA C-Face - Flange Mounted (B5 / B14) - Clamp Collar / 3 Piece Coupled Triple Reduction Straight Hollow Bore Output Shaft

SIZE: BF38

HOLLOW OUTPUT SHAFT

Dimension - Inch/MM

ØU	tol.	UY	VH	KEY	M
1.250	+0.0010 +0.0004	1.38	1.47	1/4 x 1/4 x 1-7/8	3/8-16 x 1-3/4 UNC
30	+0.020 +0.007	33	31	8 x 7 x 40	M10 x 40

NEMA MOTOR ADAPTER - CLAMP COLLAR

Dimension - Inch

	C	ZC	YA	YB	YC
56C	12.71	3.50	0.47	0.20	0.67
140TC	13.38	4.17	0.47	0.20	0.67
180TC	13.70	4.49	0.69	0.22	0.93

NEMA MOTOR ADAPTER - 3 PIECE COUPLED

Dimension - Inch

	C	ZC	YA	YB	YC
56C	15.80	6.59	0.55	0.20	1.08
140TC	17.22	8.01	0.55	0.20	1.10

Refer to page Engineering-2 for Input Shaft and Flange details.
Refer to page Engineering-8 and Engineering-9 for driven shaft dimensions.
Refer to page RHB-350 for Twin Tapered Bushing details.

QUANTIS

QUANTIS GOLD

ILH

RHB

MSM

NOMENCLATURE PAGE RHB-5	MOUNTING POSITIONS PAGE RHB-11	STOCK/NON-STOCK PART NUMBERS PAGE RHB-50	WEIGHTS PAGE RHB-372
----------------------------	-----------------------------------	---	-------------------------

DIMENSIONS



QUANTIS

QUANTIS GOLD

ILH

RHB

MSW

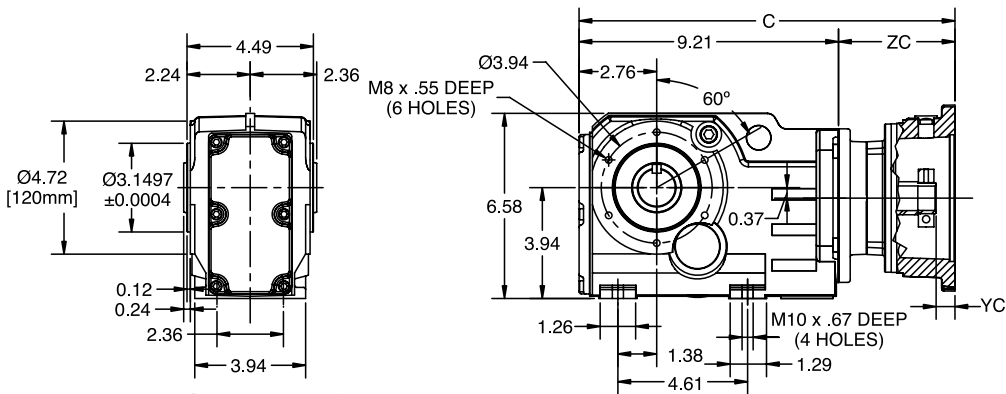
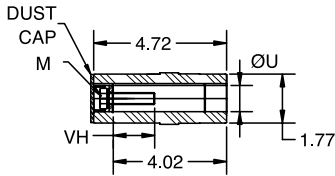
RIGHT ANGLE HELICAL BEVEL (RHB)

SIZE: BF38

IEC D Flange (B5 Input) - Flange Mounted (B5 / B14) - Clamp Collar / 3 Piece Coupled

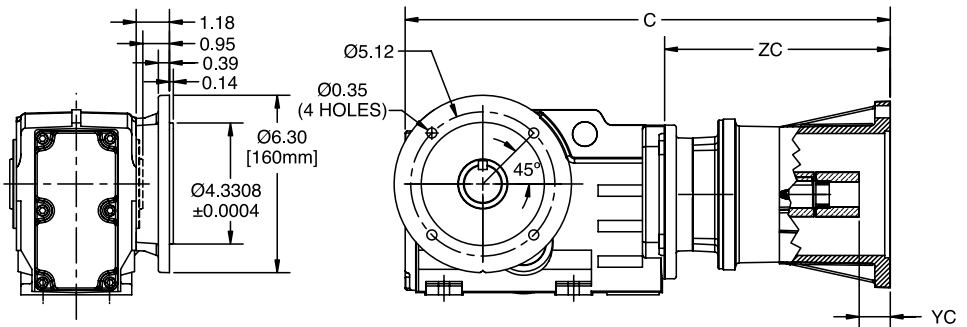
Triple Reduction

Straight Hollow Bore Output Shaft



B14 OUTPUT FLANGE -
Ø120mm

CLAMP COLLAR



B5 OUTPUT FLANGE -
Ø160mm

THREE-PIECE COUPLED

NOMENCLATURE
PAGE RHB-5

MOUNTING POSITIONS
PAGE RHB-11

STOCK/NON-STOCK PART NUMBERS
PAGE RHB-50

WEIGHTS
PAGE RHB-372

DIMENSIONS



RIGHT ANGLE HELICAL BEVEL (RHB) SIZE: BF38 IEC D Flange (B5 Input) - Flange Mounted (B5 / B14) - Clamp Collar / 3 Piece Coupled Triple Reduction Straight Hollow Bore Output Shaft

HOLLOW OUTPUT SHAFT					Dimension - Inch/MM
ØU	tol.	UY	VH	KEY	M
1.250	+0.0010 +0.0004	1.38	1.47	1/4 x 1/4 x 1-7/8	3/8-16 x 1-3/4 UNC
30	+0.020 +0.007	33	31	8 x 7 x 40	M10 x 40

IEC MOTOR ADAPTER - CLAMP COLLAR		Dimension - Inch	
	C	ZC	YC
71D	11.97	2.76	0.16
80D	12.91	3.70	0.61
90D	12.91	3.70	0.61
100D	13.21	4.00	0.28

IEC MOTOR ADAPTER - 3 PIECE COUPLED		Dimension - Inch	
	C	ZC	YC
80D	17.14	7.93	0.59
90D	17.14	7.93	1.02
100D	18.03	8.82	1.18

Refer to page Engineering-3 for Input Flange and Shaft details.
 Refer to page Engineering-8 and Engineering-9 for driven shaft dimensions.
 Refer to page RHB-350 for Twin Tapered Bushing details.

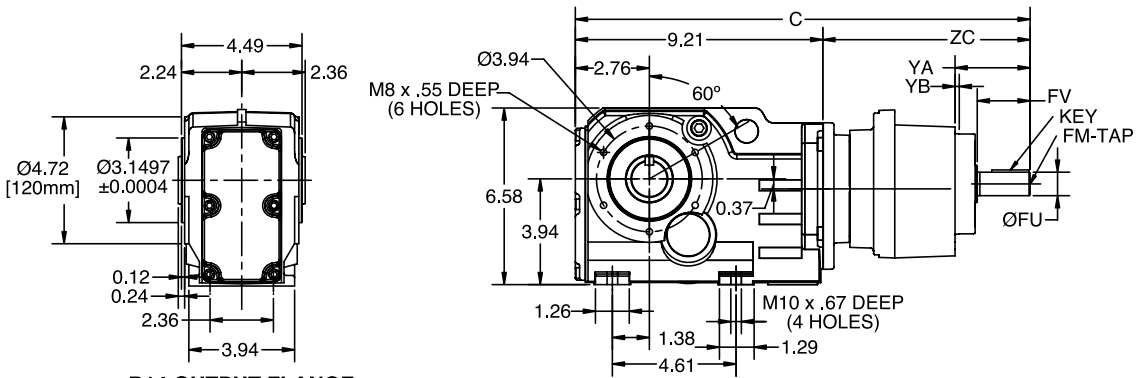
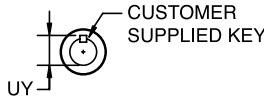
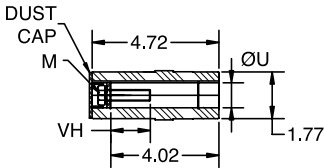
NOMENCLATURE PAGE RHB-5	MOUNTING POSITIONS PAGE RHB-11	STOCK/NON-STOCK PART NUMBERS PAGE RHB-50	WEIGHTS PAGE RHB-372
----------------------------	-----------------------------------	---	-------------------------

DIMENSIONS

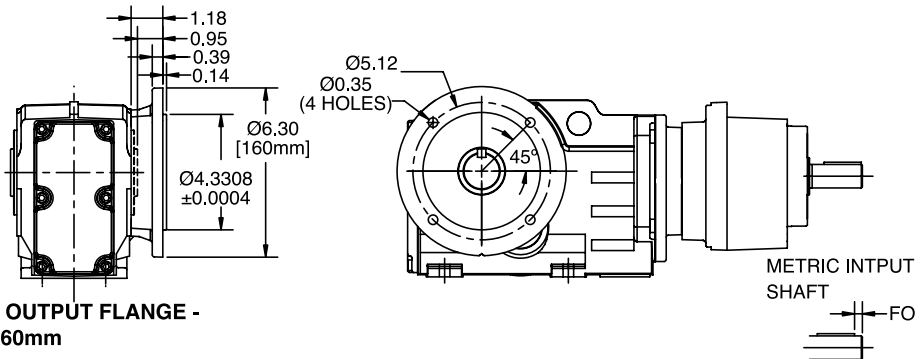


RIGHT ANGLE HELICAL BEVEL (RHB) Separate - Flange Mounted (B5 / B14) Triple Reduction Straight Hollow Bore Output Shaft

SIZE: BF38



**B14 OUTPUT FLANGE -
Ø120mm**



**B5 OUTPUT FLANGE -
Ø160mm**

NOMENCLATURE
PAGE RHB-5

MOUNTING POSITIONS
PAGE RHB-11

STOCK/NON-STOCK PART NUMBERS
PAGE RHB-50

WEIGHTS
PAGE RHB-372

DIMENSIONS



RIGHT ANGLE HELICAL BEVEL (RHB)

SIZE: BF38

Separate - Flange Mounted (B5 / B14)

Triple Reduction

Straight Hollow Bore Output Shaft

HOLLOW OUTPUT SHAFT

Dimension - Inch/MM

ØU	tol.	UY	VH	KEY	M
1.250	+0.0010 +0.0004	1.38	1.47	1/4 x 1/4 x 1-7/8	3/8-16 x 1-3/4 UNC
30	+0.020 +0.007	33	31	8 x 7 x 40	M10 x 40

SEPARATE INPUT

Dimension - Inch/MM

	C	ZC	FO	FM x Depth	ØFU	tol.	FV	YA	YB	Key
71	15.16	5.95	---	8-32 UNC x 0.49	0.625	+0.0000 -0.0005	1.57	2.40	0.16	3/16 x 3/16 x 1-5/16
	385	151	4	M5 x 12.5	16	+0.012 +0.001	40			5 x 5 x 32
80	16.54	7.33	---	1/4-20 UNC x 0.63	0.750	+0.0000 -0.0005	1.57	2.40	0.16	3/16 x 3/16 x 1-5/16
	420	186	4	M6 x 16	19	+0.015 +0.002	40			6 x 6 x 32
90	16.93	7.72	---	5/16-18 UNC x 0.75	0.875	+0.0000 -0.0005	1.97	2.80	0.16	3/16 x 3/16 x 1-5/8
	430	196	5	M8 x 19	24	+0.015 +0.002	50			8 x 7 x 40
100	17.56	8.35	---	3/8-16 UNC x 0.87	1.125	+0.0000 -0.0005	2.36	3.27	0.16	1/4 x 1/4 x 2
	446	212	5	M10 x 22	28	+0.015 +0.002	60			8 x 7 x 50

Refer to page Engineering-4 for Input Flange and Shaft details

Refer to page Engineering-8 and Engineering-9 for driven shaft dimensions.

Refer to page RHB-350 for Twin Tapered Bushing details.

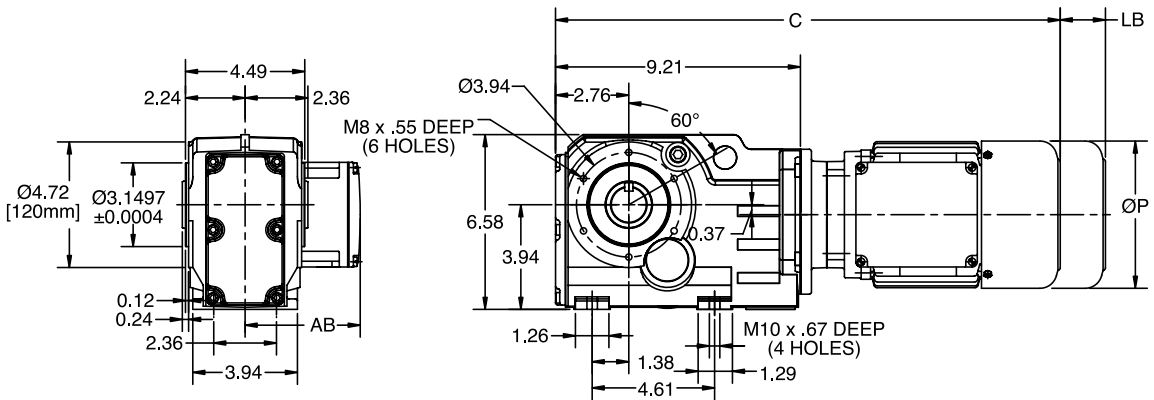
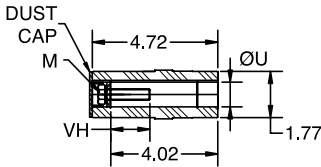
NOMENCLATURE PAGE RHB-5	MOUNTING POSITIONS PAGE RHB-11	STOCK/NON-STOCK PART NUMBERS PAGE RHB-50	WEIGHTS PAGE RHB-372
----------------------------	-----------------------------------	---	-------------------------

DIMENSIONS

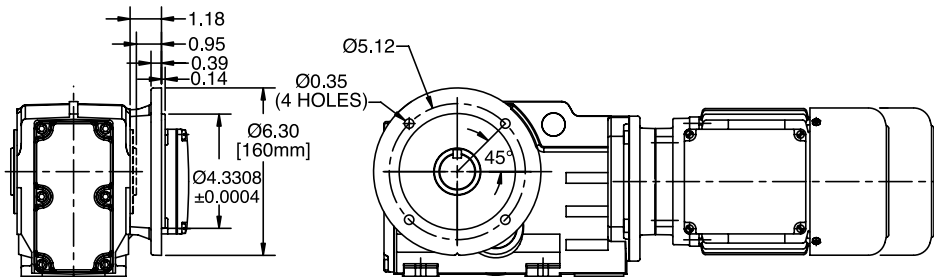


RIGHT ANGLE HELICAL BEVEL (RHB) Integral Gearmotor - Flange Mounted (B5 / B14) Triple Reduction Straight Hollow Bore Output Shaft

SIZE: BF38



**B14 OUTPUT FLANGE -
Ø120mm**



**B5 OUTPUT FLANGE -
Ø160mm**

NOMENCLATURE
PAGE RHB-5

MOUNTING POSITIONS
PAGE RHB-11

STOCK/NON-STOCK PART NUMBERS
PAGE RHB-50

WEIGHTS
PAGE RHB-372

DIMENSIONS



RIGHT ANGLE HELICAL BEVEL (RHB) Integral Gearmotor - Flange Mounted (B5 / B14) Triple Reduction Straight Hollow Bore Output Shaft

SIZE: BF38

STANDARD HOLLOW OUTPUT SHAFT

Dimension - Inch/MM

ØU	tol.	UY	VH	KEY	M
1.250	+0.0010 +0.0004	1.38	1.47	1/4 x 1/4 x 1-7/8	3/8-16 x 1-3/4 UNC
30	+0.020 +0.007	33	31	8 x 7 x 40	M10 x 40

MOTOR

Dimension - Inch/MM

Frame	C	LB	P	AB
71C4 / 71D4 / 71E4	19.76	1.81	6.19	5.18
	502	46	158	132
80F4	19.9	2.56	6.19	5.12
	506	65	158	131
80G4	21.4	2.56	6.19	5.12
	544	65	158	131
90H4	21.33	2.52	7.19	5.79
	542	64	183	148
90I4	22.21	2.52	7.19	5.79
	565	64	183	148
100J4	24.21	2.91	7.19	5.79
	615	74	183	148

Refer to page Engineering-8 and Engineering-9 for driven shaft dimensions.
Refer to page RHB-350 for Twin Tapered Bushing details.

QUANTIS

QUANTIS GOLD

ILH

RHB

MSM

NOMENCLATURE PAGE RHB-5	MOUNTING POSITIONS PAGE RHB-11	STOCK/NON-STOCK PART NUMBERS PAGE RHB-50	WEIGHTS PAGE RHB-372
----------------------------	-----------------------------------	---	-------------------------

DIMENSIONS



QUANTIS

QUANTIS GOLD

ILH

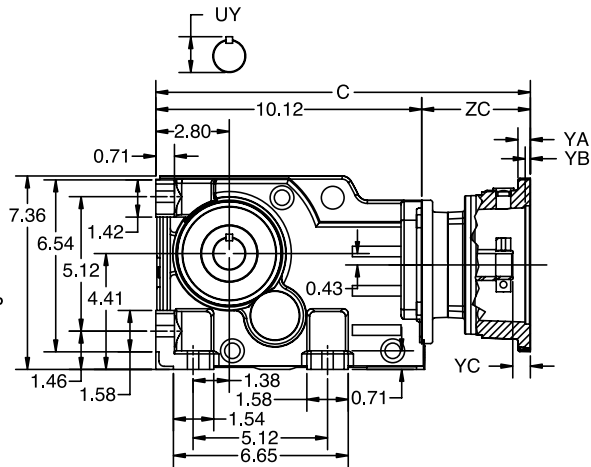
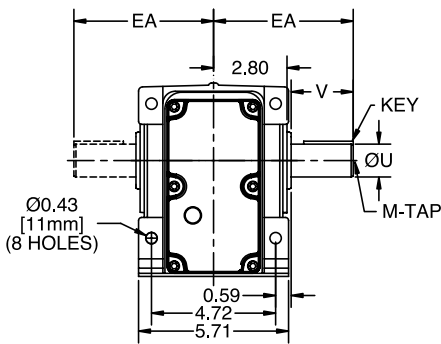
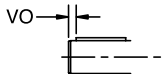
RHB

MSW

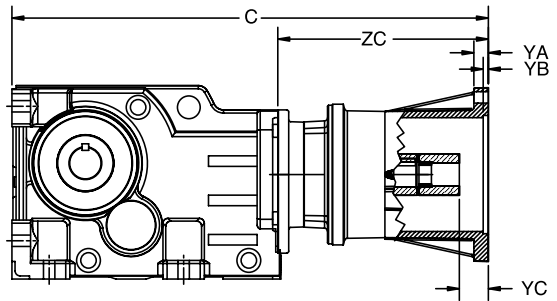
RIGHT ANGLE HELICAL BEVEL (RHB) NEMA C-Face - Foot Mounted - Clamp Collar / 3 Piece Coupled Triple Reduction Solid Output Shaft

SIZE: BB48

METRIC OUTPUT



CLAMP COLLAR



THREE-PIECE COUPLED

NOMENCLATURE PAGE RHB-5	MOUNTING POSITIONS PAGE RHB-11	STOCK/NON-STOCK PART NUMBERS PAGE RHB-50	WEIGHTS PAGE RHB-372
----------------------------	-----------------------------------	---	-------------------------

DIMENSIONS



RIGHT ANGLE HELICAL BEVEL (RHB) NEMA C-Face - Foot Mounted - Clamp Collar / 3 Piece Coupled Triple Reduction Solid Output Shaft

SIZE: BB48

STANDARD SOLID OUTPUT SHAFT

Dimension - Inch/MM

ØU	tol.	UY	V	VO	KEY	M-TAP x DEPTH	EA
1.250	+0.0000 -0.0005	1.37	2.36	-	1/4 x 1/4 x 1-7/8	3/8-16 UNC x 0.87	5.31
30	+0.015 +0.002	33	60	4	8 x 7 x 50	M10 x 22	135

OPTIONAL SOLID OUTPUT SHAFT

Dimension - Inch/MM

ØU	tol.	UY	V	VO	KEY	M-TAP x DEPTH	EA
1.625	+0.0000 -0.0010	1.80	3.15	-	3/8 x 3/8 x 2-5/8	5/8-11 UNC x 1.42	6.10
40	+0.018 +0.002	43	80	5	12 x 8 x 70	M16 x 36	155

NEMA MOTOR ADAPTER - CLAMP COLLAR

Dimension - Inch

	C	ZC	YA	YB	YC
56C	13.62	3.50	0.47	0.20	0.67
140TC	14.29	4.17	0.47	0.20	0.67
180TC	14.61	4.49	0.69	0.22	0.93

NEMA MOTOR ADAPTER - 3 PIECE COUPLED

Dimension - Inch

	C	ZC	YA	YB	YC
56C	16.71	6.59	0.55	0.20	1.08
140TC	18.13	8.01	0.55	0.20	1.10

Refer to page Engineering-2 for Input Flange and Shaft details.

NOMENCLATURE PAGE RHB-5	MOUNTING POSITIONS PAGE RHB-11	STOCK/NON-STOCK PART NUMBERS PAGE RHB-50	WEIGHTS PAGE RHB-372
----------------------------	-----------------------------------	---	-------------------------

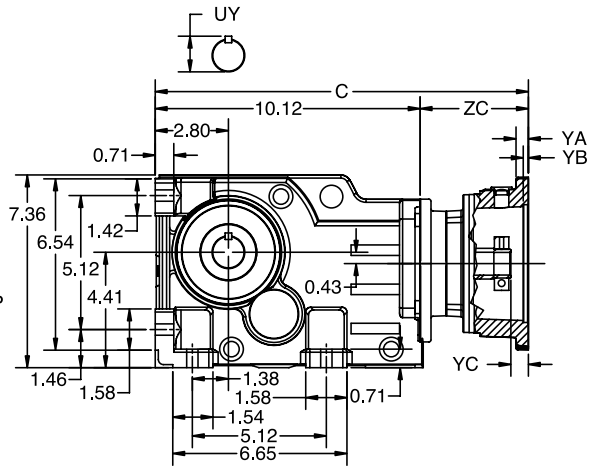
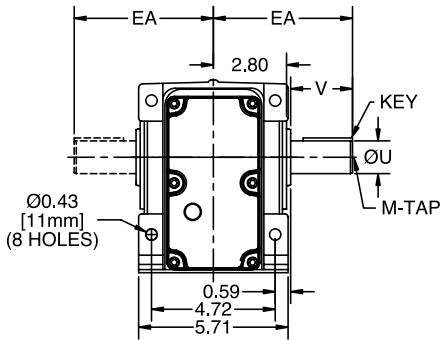
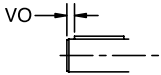
DIMENSIONS



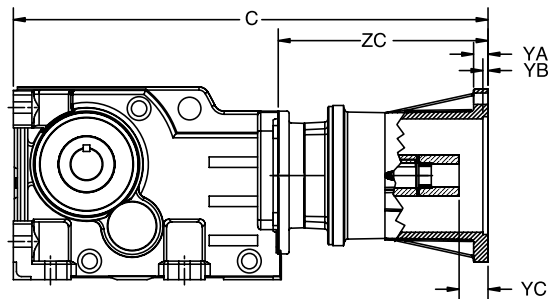
RIGHT ANGLE HELICAL BEVEL (RHB) IEC D Flange (B5 Input) - Foot Mounted - Clamp Collar / 3 Piece Coupled Triple Reduction Solid Output Shaft

SIZE: BB48

METRIC OUTPUT



CLAMP COLLAR



THREE-PIECE COUPLED

NOMENCLATURE
PAGE RHB-5

MOUNTING POSITIONS
PAGE RHB-11

STOCK/NON-STOCK PART NUMBERS
PAGE RHB-50

WEIGHTS
PAGE RHB-372

DIMENSIONS



RIGHT ANGLE HELICAL BEVEL (RHB) IEC D Flange (B5 Input) - Foot Mounted - Clamp Collar / 3 Piece Coupled Triple Reduction Solid Output Shaft

SIZE: BB48

STANDARD SOLID OUTPUT SHAFT

Dimension - Inch/MM

ØU	tol.	UY	V	VO	KEY	M-TAP x DEPTH	EA
1.250	+0.0000 -0.0005	1.37	2.36	-	1/4 x 1/4 x 1-7/8	3/8-16 UNC x 0.87	5.31
30	+0.015 +0.002	33	60	4	8 x 7 x 50	M10 x 22	135

OPTIONAL SOLID OUTPUT SHAFT

Dimension - Inch/MM

ØU	tol.	UY	V	VO	KEY	M-TAP x DEPTH	EA
1.625	+0.0000 -0.0010	1.80	3.15	-	3/8 x 3/8 x 2-5/8	5/8-11 UNC x 1.42	6.10
40	+0.018 +0.002	43	80	5	12 x 8 x 70	M16 x 36	155

IEC MOTOR ADAPTER - CLAMP COLLAR

Dimension - Inch

	C	ZC	YC
71D	12.88	2.76	0.16
80D	13.82	3.70	0.61
90D	13.82	3.70	0.61
100D	14.12	4.00	0.28

IEC MOTOR ADAPTER - 3 PIECE COUPLED

Dimension - Inch

	C	ZC	YC
80D	18.05	7.93	0.59
90D	18.05	7.93	1.02
100D	18.94	8.82	1.18

Refer to page Engineering-3 for Input Flange and Shaft details.

QUANTIS

QUANTIS GOLD

ILH

RHB

MSM

NOMENCLATURE PAGE RHB-5	MOUNTING POSITIONS PAGE RHB-11	STOCK/NON-STOCK PART NUMBERS PAGE RHB-50	WEIGHTS PAGE RHB-372
----------------------------	-----------------------------------	---	-------------------------

DIMENSIONS



RIGHT ANGLE HELICAL BEVEL (RHB)

SIZE: BB48

Separate - Foot Mounted
Triple Reduction
Solid Output Shaft

QUANTIS

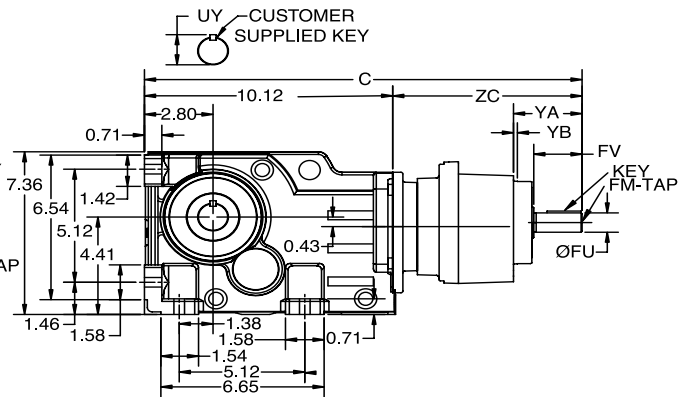
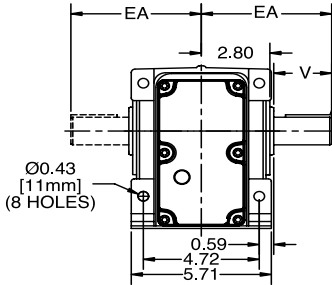
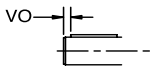
QUANTIS GOLD

ILH

RHB

MSW

METRIC OUTPUT SHAFT



METRIC INPUT SHAFT



NOMENCLATURE PAGE RHB-5	MOUNTING POSITIONS PAGE RHB-11	STOCK/NON-STOCK PART NUMBERS PAGE RHB-50	WEIGHTS PAGE RHB-372
----------------------------	-----------------------------------	---	-------------------------

RIGHT ANGLE HELICAL BEVEL (RHB)

SIZE: BB48

Separate - Foot Mounted
Triple Reduction
Solid Output Shaft

STANDARD SOLID OUTPUT SHAFT

Dimension - Inch/MM

ØU	tol.	UY	V	VO	KEY	M-TAP x DEPTH	EA
1.250	+0.0000 -0.0005	1.37	2.36	-	1/4 x 1/4 x 1-7/8	3/8-16 UNC x 0.87	5.31
30	+0.015 +0.002	33	60	4	8 x 7 x 50	M10 x 22	135

OPTIONAL SOLID OUTPUT SHAFT

Dimension - Inch/MM

ØU	tol.	UY	V	VO	KEY	M-TAP x DEPTH	EA
1.625	+0.0000 -0.0010	1.80	3.15	-	3/8 x 3/8 x 2-5/8	5/8-11 UNC x 1.42	6.10
40	+0.018 +0.002	43	80	5	12 x 8 x 70	M16 x 36	155

SEPARATE INPUT

Dimension - Inch/MM

	C	ZC	FO	FM x Depth	ØFU	tol.	FV	YA	YB	Key
71	16.06	5.94	---	8-32 UNC x 0.49	0.625	+0.0000 -0.0005	1.57	2.40	0.16	3/16 x 3/16 x 1-5/16
	408	151	4	M5 x 12.5	16	+0.012 +0.001	40			5 x 5 x 32
80	17.45	7.33	---	1/4 -20 UNC x 0.63	0.750	+0.0000 -0.0005	1.57	2.40	0.16	3/16 x 3/16 x 1-5/16
	443	186	4	M6 x 16	19	+0.015 +0.002	40			6 x 6 x 32
90	17.84	7.72	---	5/16-18 UNC x 0.75	0.875	+0.0000 -0.0005	1.97	2.80	0.16	3/16 x 3/16 x 1-5/8
	453	196	5	M8 x 19	24	+0.015 0.002	50			8 x 7 x 40
100	18.47	8.35	---	3/8-16 UNC x 0.87	1.125	+0.0000 -0.0005	2.36	3.27	0.16	1/4 x 1/4 x 2
	469	212	5	M10 x 22	28	+0.015 -0.002	60			8 x 7 x 50

Refer to page Engineering-4 for Input Flange and Shaft details.

NOMENCLATURE PAGE RHB-5	MOUNTING POSITIONS PAGE RHB-11	STOCK/NON-STOCK PART NUMBERS PAGE RHB-50	WEIGHTS PAGE RHB-372
----------------------------	-----------------------------------	---	-------------------------

DIMENSIONS

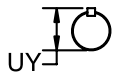
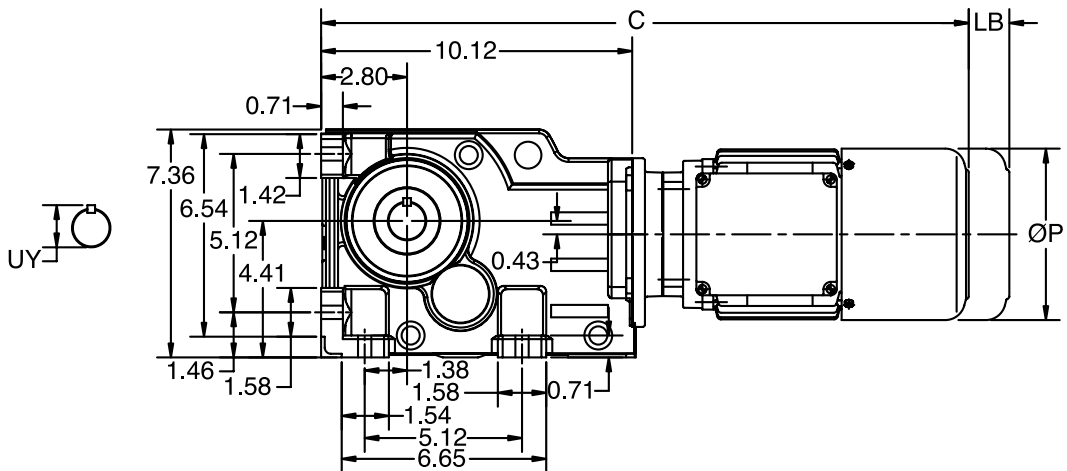
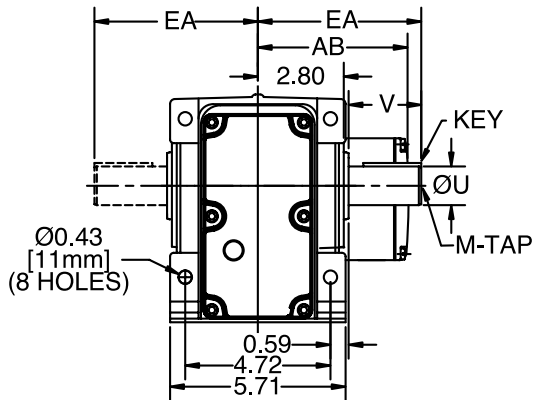
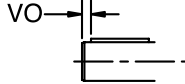


RIGHT ANGLE HELICAL BEVEL (RHB)

SIZE: BB48

Integral Gearmotor - Foot Mounted
Triple Reduction
Solid Output Shaft

METRIC OUTPUT SHAFT



NOMENCLATURE
PAGE RHB-5

MOUNTING POSITIONS
PAGE RHB-11

STOCK/NON-STOCK PART NUMBERS
PAGE RHB-50

WEIGHTS
PAGE RHB-372

DIMENSIONS



RIGHT ANGLE HELICAL BEVEL (RHB)

SIZE: BB48

Integral Gearmotor - Foot Mounted

Triple Reduction

Solid Output Shaft

STANDARD SOLID OUTPUT SHAFT

Dimension - Inch/MM

ØU	tol.	UY	V	VO	KEY	M-TAP x DEPTH	EA
1.250	+0.0000 -0.0005	1.37	2.36	-	1/4 x 1/4 x 1-7/8	3/8-16 UNC x 0.87	5.31
30	+0.015 +0.002	33	60	7	8 x 7 x 50	M10 x 22	135

OPTIONAL SOLID OUTPUT SHAFT

Dimension - Inch/MM

ØU	tol.	UY	V	VO	KEY	M-TAP x DEPTH	EA
1.625	+0.0000 -0.0010	1.80	3.15	-	3/8 x 3/8 x 2-5/8	5/8-11 UNC x 1.42	6.10
40	+0.018 +0.002	43	80	5	12 x 8 x 70	M16 x 36	155

MOTOR

Dimension - Inch/MM

Frame	C	LB	P	AB
71C4 / 71D4 / 71E4	20.66	1.81	6.19	5.18
	525	46	158	132
80F4	20.81	2.56	6.19	5.12
	529	65	158	131
80G4	22.36	2.56	6.19	5.12
	568	65	158	131
90H4	22.23	2.52	7.19	5.79
	565	64	183	148
90I4	23.12	2.52	7.19	5.79
	588	64	183	148
100J4	25.12	2.91	7.19	5.79
	639	74	183	148

QUANTIS

QUANTIS GOLD

ILH

RHB

MSM

NOMENCLATURE PAGE RHB-5	MOUNTING POSITIONS PAGE RHB-11	STOCK/NON-STOCK PART NUMBERS PAGE RHB-50	WEIGHTS PAGE RHB-372
----------------------------	-----------------------------------	---	-------------------------

DIMENSIONS



RIGHT ANGLE HELICAL BEVEL (RHB) NEMA C-Face - Foot Mounted - Clamp Collar / 3 Piece Coupled Triple Reduction Straight Hollow Bore Output Shaft

SIZE: BB48

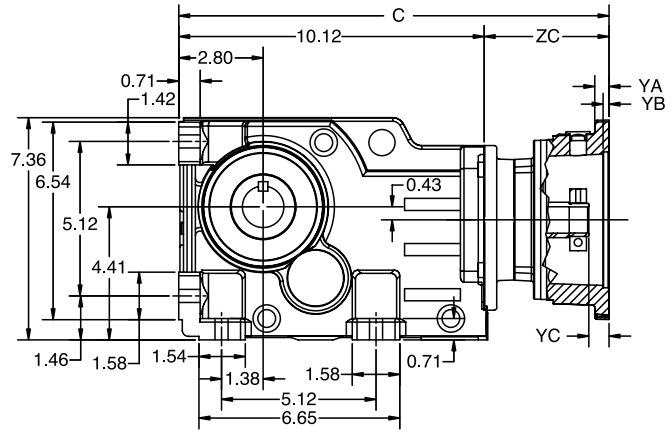
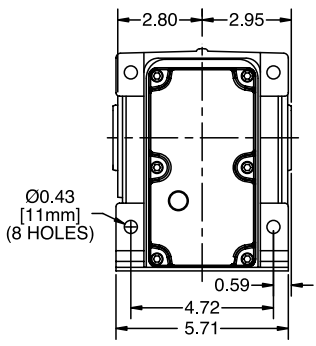
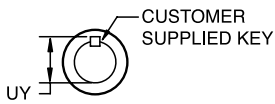
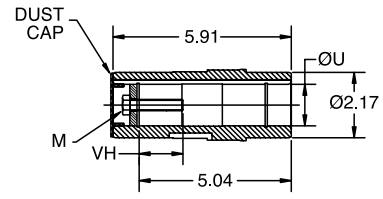
QUANTIS

QUANTIS GOLD

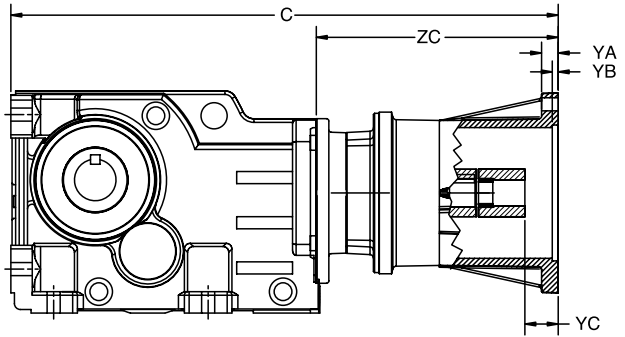
ILH

RHB

MSW



CLAMP COLLAR



THREE-PIECE COUPLED

NOMENCLATURE PAGE RHB-5	MOUNTING POSITIONS PAGE RHB-11	STOCK/NON-STOCK PART NUMBERS PAGE RHB-50	WEIGHTS PAGE RHB-372
----------------------------	-----------------------------------	---	-------------------------

DIMENSIONS



RIGHT ANGLE HELICAL BEVEL (RHB) NEMA C-Face - Foot Mounted - Clamp Collar / 3 Piece Coupled Triple Reduction Straight Hollow Bore Output Shaft

SIZE: BB48

HOLLOW OUTPUT SHAFT					Dimension - Inch/MM
ØU	tol.	UY	VH	KEY	M
1.375	+0.0010 +0.0004	1.53	1.45	5/16 x 5/16 x 2-3/16	3/8 x16 x 1-3/4 UNC
35	+0.025 +0.009	38	43	10 x 8 x 45	M12 x 50

OPTIONAL HOLLOW OUTPUT SHAFT					Dimension - MM
ØU	tol.	UY	VH	KEY	M
40	+0.025 +0.009	43.3	48	12 x 8 x 50	M16 x 60

NEMA MOTOR ADAPTER - CLAMP COLLAR					Dimension - Inch
	C	ZC	YA	YB	YC
56C	13.62	3.50	0.47	0.20	0.67
140TC	14.29	4.17	0.47	0.20	0.67
180TC	14.61	4.49	0.69	0.22	0.93

NEMA MOTOR ADAPTER - 3 PIECE COUPLED					Dimension - Inch
	C	ZC	YA	YB	YC
56C	16.71	6.59	0.55	0.20	1.08
140TC	18.13	8.01	0.55	0.20	1.10

Refer to page Engineering-2 for Input Flange and Shaft details.
Refer to page Engineering-8 and Engineering-9 for driven shaft dimensions.
Refer to page RHB-351 for Twin Tapered Bushing details.

NOMENCLATURE PAGE RHB-5	MOUNTING POSITIONS PAGE RHB-11	STOCK/NON-STOCK PART NUMBERS PAGE RHB-60	WEIGHTS PAGE RHB-372
----------------------------	-----------------------------------	---	-------------------------

DIMENSIONS



QUANTIS

QUANTIS GOLD

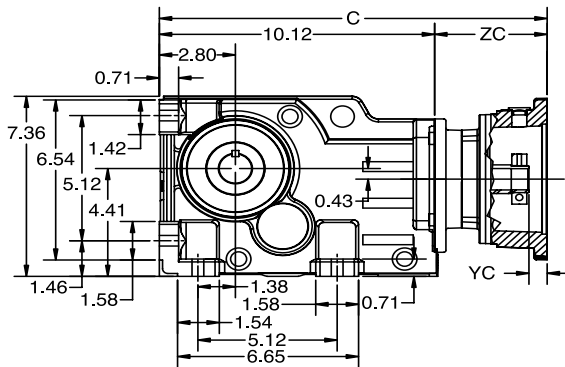
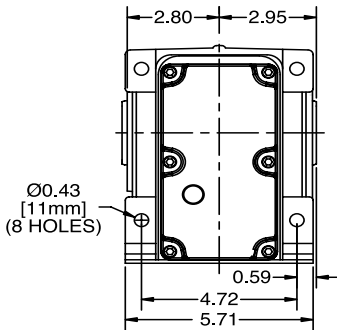
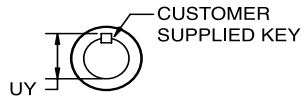
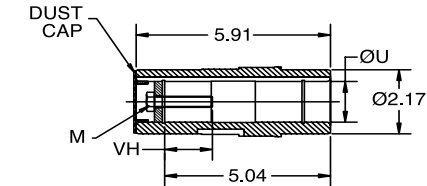
ILH

RHB

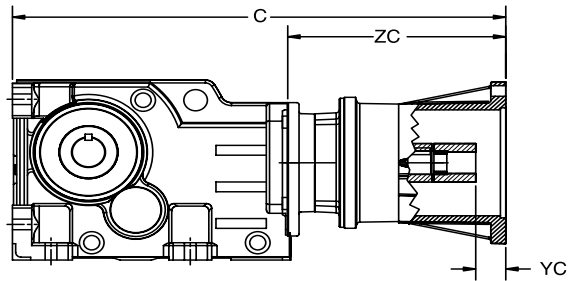
MSW

RIGHT ANGLE HELICAL BEVEL (RHB)
IEC D Flange (B5 Input) - Foot Mounted - Clamp Collar / 3 Piece Coupled
Triple Reduction
Straight Hollow Bore Output Shaft

SIZE: BB48



CLAMP COLLAR



THREE-PIECE COUPLED

NOMENCLATURE PAGE RHB-5	MOUNTING POSITIONS PAGE RHB-11	STOCK/NON-STOCK PART NUMBERS PAGE RHB-50	WEIGHTS PAGE RHB-372
----------------------------	-----------------------------------	---	-------------------------

DIMENSIONS



RIGHT ANGLE HELICAL BEVEL (RHB) IEC D Flange (B5 Input) - Foot Mounted - Clamp Collar / 3 Piece Coupled Triple Reduction Straight Hollow Bore Output Shaft

SIZE: BB48

HOLLOW OUTPUT SHAFT					Dimension - Inch/MM
ØU	tol.	UY	VH	KEY	M
1.375	+0.0010 +0.0004	1.53	1.45	5/16 x 5/16 x 2-3/16	3/8 x16 x 1-3/4 UNC
35	+0.025 +0.009	38	43	10 x 8 x 45	M12 x 50

OPTIONAL HOLLOW OUTPUT SHAFT					Dimension - MM
ØU	tol.	UY	VH	KEY	M
40	+0.025 +0.009	43.3	48	12 x 8 x 50	M16 x 60

IEC MOTOR ADAPTER - CLAMP COLLAR				Dimension - Inch
	C	ZC	YC	
71D	12.88	2.76	0.16	
80D	13.82	3.70	0.61	
90D	13.82	3.70	0.61	
100D	14.12	4.00	0.28	

IEC MOTOR ADAPTER - 3 PIECE COUPLED				Dimension - Inch
	C	ZC	YC	
80D	18.05	7.93	0.59	
90D	18.05	7.93	1.02	
100D	18.94	8.82	1.18	

Refer to page Engineering-3 for Input Flange and Shaft details.
Refer to page Engineering-8 and Engineering-9 for driven shaft dimensions.
Refer to page RHB-351 for Twin Tapered Bushing details.

NOMENCLATURE PAGE RHB-5	MOUNTING POSITIONS PAGE RHB-11	STOCK/NON-STOCK PART NUMBERS PAGE RHB-50	WEIGHTS PAGE RHB-372
----------------------------	-----------------------------------	---	-------------------------

DIMENSIONS



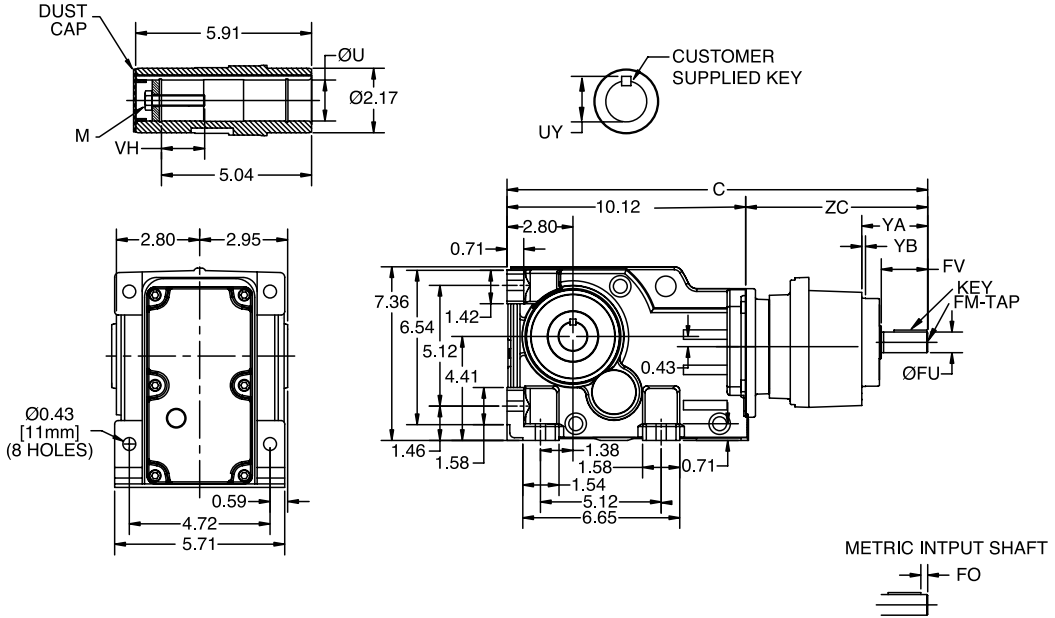
RIGHT ANGLE HELICAL BEVEL (RHB)

SIZE: BB48

Separate - Foot Mounted

Triple Reduction

Straight Hollow Bore Output Shaft



QUANTIS

QUANTIS GOLD

ILH

RHB

MSW

NOMENCLATURE PAGE RHB-5	MOUNTING POSITIONS PAGE RHB-11	STOCK/NON-STOCK PART NUMBERS PAGE RHB-50	WEIGHTS PAGE RHB-372
----------------------------	-----------------------------------	---	-------------------------

DIMENSIONS



RIGHT ANGLE HELICAL BEVEL (RHB)

SIZE: BB48

Separate - Foot Mounted
Triple Reduction
Straight Hollow Bore Output Shaft

STANDARD HOLLOW OUTPUT SHAFT

Dimension - Inch/MM

ØU	tol.	UY	VH	KEY	M
1.375	+0.0010 +0.0004	1.52	1.45	5/16 x 5/16 x 2-3/16	3/8-16 x 1-3/4 UNC
35	+0.025 +0.009	38	43	10 x 8 x 45	M12 x 50

OPTIONAL HOLLOW OUTPUT SHAFT

Dimension - MM

ØU	tol.	UY	VH	KEY	M
40	+0.025 +0.009	43.3	48	12 X 8 X 50	M16 x 60

SEPARATE INPUT

Dimension - Inch/MM

	C	ZC	F0	FM x Depth	ØFU	tol.	FV	YA	YB	Key
71	16.06	5.94	---	8-32 UNC x 0.49	0.625	+0.0000 -0.0005	1.57	2.40	0.16	3/16 x 3/16 x 1-5/16
	408	151	4	M5 x 12.5	16	+0.012 +0.001	40			5 x 5 x 32
80	17.45	7.33	---	1/4 -20 UNC x 0.63	0.750	+0.0000 -0.0005	1.57	2.40	0.16	3/16 x 3/16 x 1-5/16
	443	186	4	M6 x 16	19	+0.015 +0.002	40			6 x 6 x 32
90	17.84	7.72	---	5/16-18 UNC x 0.75	0.875	+0.0000 -0.0005	1.97	2.80	0.16	3/16 x 3/16 x 1-5/8
	453	196	5	M8 x 19	24	+0.015 0.002	50			8 x 7 x 40
100	18.47	8.35	---	3/8-16 UNC x 0.87	1.125	+0.0000 +0.015	2.36	3.27	0.16	1/4 x 1/4 x 2
	469	212	5	M10 x 22	28	-0.002	60			8 x 7 x 50

Refer to page Engineering-4 for Input Flange and Shaft details.
Refer to page Engineering-8 and Engineering-9 for driven shaft dimensions.
Refer to page RHB-351 for Twin Tapered Bushing details.

NOMENCLATURE PAGE RHB-5	MOUNTING POSITIONS PAGE RHB-11	STOCK/NON-STOCK PART NUMBERS PAGE RHB-50	WEIGHTS PAGE RHB-372
----------------------------	-----------------------------------	---	-------------------------

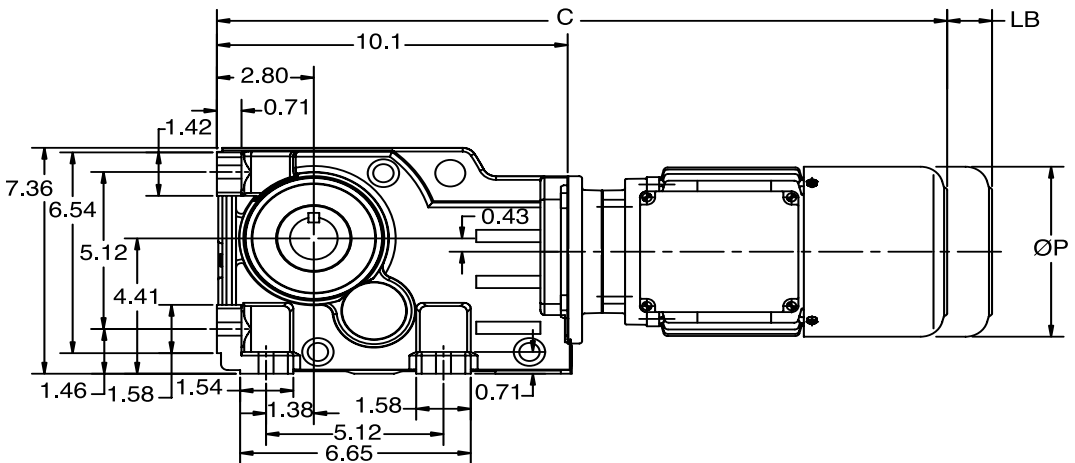
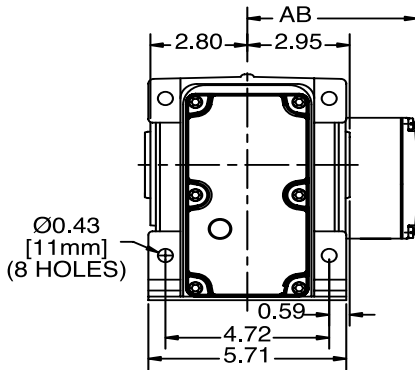
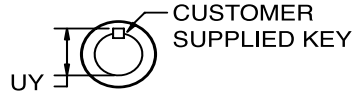
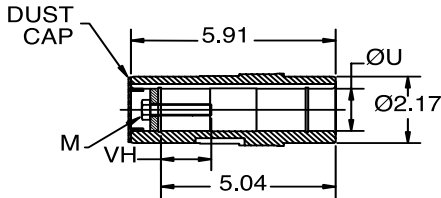
DIMENSIONS



RIGHT ANGLE HELICAL BEVEL (RHB)

SIZE: BB48

Integral Gearmotor - Foot Mounted
Triple Reduction
Straight Hollow Bore Output Shaft



NOMENCLATURE
PAGE RHB-5

MOUNTING POSITIONS
PAGE RHB-11

STOCK/NON-STOCK PART NUMBERS
PAGE RHB-50

WEIGHTS
PAGE RHB-372

DIMENSIONS



RIGHT ANGLE HELICAL BEVEL (RHB)

SIZE: BB48

Integral Gearmotor - Foot Mounted

Triple Reduction

Straight Hollow Bore Output Shaft

STANDARD HOLLOW OUTPUT SHAFT

Dimension - Inch/MM

ØU	tol.	UY	VH	KEY	M
1.375	+0.0010 +0.0004	1.52	1.45	5/16 x 5/16 x 2-3/16	3/8-16 x 1-3/4 UNC
35	+0.025 +0.009	38	43	10 x 8 x 45	M12 x 50

OPTIONAL HOLLOW OUTPUT SHAFT

Dimension - MM

ØU	tol.	UY	VH	KEY	M
40	+0.025 +0.009	43.3	48	12 x 8 x 50	M16 x 60

MOTOR

Dimension - Inch/MM

Frame	C	LB	P	AB
71C4 / 71D4 / 71E4	20.66	1.81	6.19	5.18
	525	46	158	132
80F4	20.81	2.56	6.19	5.12
	529	65	158	131
80G4	22.36	2.56	6.19	5.12
	568	65	158	131
90H4	22.23	2.52	7.19	5.79
	565	64	183	148
90I4	23.12	2.52	7.19	5.79
	588	64	183	148
100J4	25.12	2.91	7.19	5.79
	639	74	183	148

Refer to page Engineering-8 and Engineering-9 for driven shaft dimensions.

Refer to page RHB-350 for Twin Tapered Bushing details.

NOMENCLATURE PAGE RHB-5	MOUNTING POSITIONS PAGE RHB-11	STOCK/NON-STOCK PART NUMBERS PAGE RHB-50	WEIGHTS PAGE RHB-372
----------------------------	-----------------------------------	---	-------------------------

DIMENSIONS



QUANTIS

QUANTIS GOLD

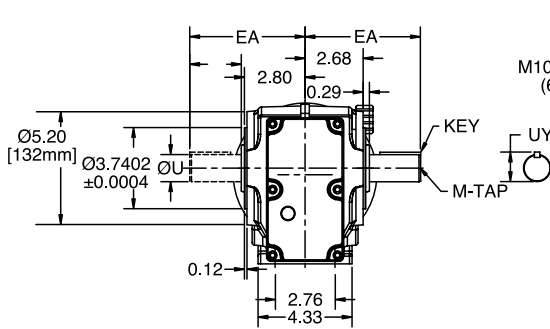
ILH

RHB

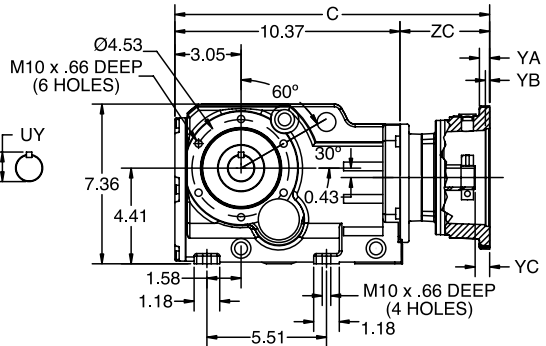
MSW

RIGHT ANGLE HELICAL BEVEL (RHB) NEMA C-Face - Flange Mounted (B5 / B14) - Clamp Collar / 3 Piece Coupled Triple Reduction Solid Output Shaft

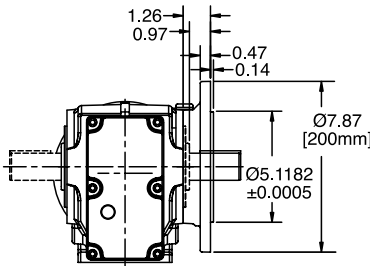
SIZE: BF48



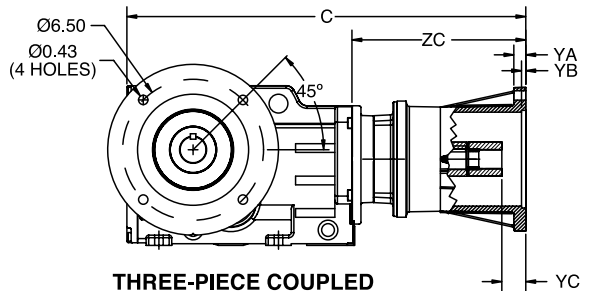
**B14 OUTPUT FLANGE -
Ø132mm**



COLLAR CLAMP

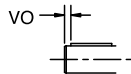


**B5 OUTPUT FLANGE -
Ø200mm**



THREE-PIECE COUPLED

METRIC OUTPUT SHAFT



NOMENCLATURE PAGE RHB-5	MOUNTING POSITIONS PAGE RHB-11	STOCK/NON-STOCK PART NUMBERS PAGE RHB-50	WEIGHTS PAGE RHB-372
----------------------------	-----------------------------------	---	-------------------------

DIMENSIONS



RIGHT ANGLE HELICAL BEVEL (RHB) NEMA C-Face - Flange Mounted (B5 / B14) - Clamp Collar / 3 Piece Coupled Triple Reduction Solid Output Shaft

SIZE: BF48

STANDARD SOLID OUTPUT SHAFT

Dimension - Inch/MM

ØU	tol.	UY	V	VO	KEY	M-TAP x DEPTH	EA
1.250	+0.0000 -0.0005	137	2036	-	1/4 x 1/4 x 1-7/8	3/8-16 UNC x 0.87	5.31
30	+0.015 +0.002	33	60	4	8 x 7 x 50	M10 x 22	135

OPTIONAL SOLID OUTPUT SHAFT

Dimension - Inch/MM

ØU	tol.	UY	V	VO	KEY	M-TAP x DEPTH	EA
1.625	+0.0000 -0.0010	1.80	3.15	-	3/8 x 3/8 x 2-5/8	5/8-11 UNC x 1.42	6.10
40	+0.018 +0.002	43	80	5	12 x 8 x 70	M16 x 36	155

NEMA MOTOR ADAPTER - CLAMP COLLAR

Dimension - Inch

	C	ZC	YA	YB	YC
56C	13.87	3.50	0.47	0.20	0.67
140TC	14.54	4.17	0.47	0.20	0.67
180TC	14.86	4.49	0.69	0.22	0.93

NEMA MOTOR ADAPTER - 3 PIECE COUPLED

Dimension - Inch

	C	ZC	YA	YB	YC
56C	16.97	6.59	0.55	0.20	1.08
140TC	18.39	8.01	0.55	0.20	1.10

Refer to page Engineering-2 for Input Flange and Shaft details.

NOMENCLATURE PAGE RHB-5	MOUNTING POSITIONS PAGE RHB-11	STOCK/NON-STOCK PART NUMBERS PAGE RHB-50	WEIGHTS PAGE RHB-372
----------------------------	-----------------------------------	---	-------------------------

DIMENSIONS



QUANTIS

QUANTIS GOLD

ILH

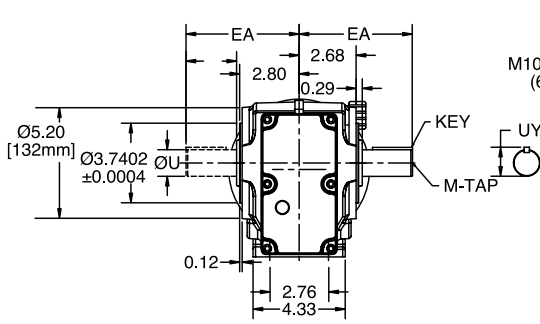
RHB

MSW

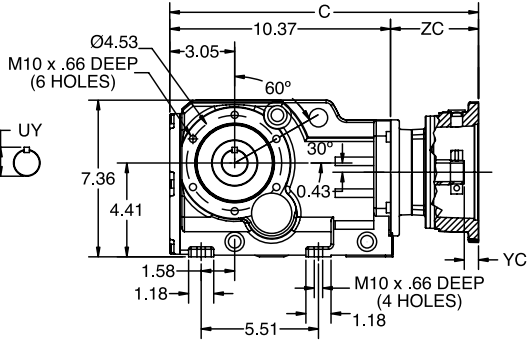
RIGHT ANGLE HELICAL BEVEL (RHB)

SIZE: BF48

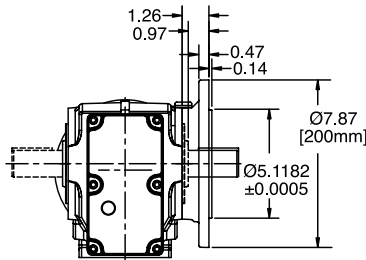
IEC D Flange (B5 Input) - Flange Mounted (B5 / B14) - Clamp Collar / 3 Piece Coupled
Triple Reduction
Solid Output Shaft



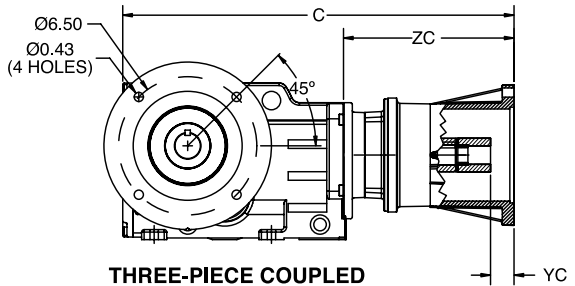
B14 OUTPUT FLANGE - Ø132mm



COLLAR CLAMP

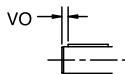


B5 OUTPUT FLANGE - Ø200mm



THREE-PIECE COUPLED

METRIC OUPUT SHAFT



NOMENCLATURE PAGE RHB-5	MOUNTING POSITIONS PAGE RHB-11	STOCK/NON-STOCK PART NUMBERS PAGE RHB-50	WEIGHTS PAGE RHB-372
----------------------------	-----------------------------------	---	-------------------------

DIMENSIONS



RIGHT ANGLE HELICAL BEVEL (RHB) SIZE: BF48 IEC D Flange (B5 Input) - Flange Mounted (B5 / B14) - Clamp Collar / 3 Piece Coupled Triple Reduction Solid Output Shaft

STANDARD SOLID OUTPUT SHAFT

Dimension - Inch/MM

ØU	tol.	UY	V	VO	KEY	M-TAP x DEPTH	EA
1.250	+0.0000 -0.0005	137	2036	-	1/4 x 1/4 x 1-7/8	3/8-16 UNC x 0.87	5.31
30	+0.015 +0.002	33	60	4	8 x 7 x 50	M10 x 22	135

OPTIONAL SOLID OUTPUT SHAFT

Dimension - Inch/MM

ØU	tol.	UY	V	VO	KEY	M-TAP x DEPTH	EA
1.625	+0.0000 -0.0010	1.80	3.15	-	3/8 x 3/8 x 2-5/8	5/8-11 UNC x 1.42	6.10
40	+0.018 +0.002	43	80	5	12 x 8 x 70	M16 x 36	155

IEC MOTOR ADAPTER - CLAMP COLLAR

Dimension - Inch

	C	ZC	YC
71D	13.13	2.76	0.16
80D	14.07	3.70	0.61
90D	14.07	3.70	0.61
100D	14.37	4.00	0.28

IEC MOTOR ADAPTER - 3 PIECE COUPLED

Dimension - Inch

	C	ZC	YC
80D	18.30	7.93	0.59
90D	18.30	7.93	1.02
100D	19.19	8.82	1.18

Refer to page Engineering-3 for Input Flange and Shaft details.

NOMENCLATURE PAGE RHB-5	MOUNTING POSITIONS PAGE RHB-11	STOCK/NON-STOCK PART NUMBERS PAGE RHB-50	WEIGHTS PAGE RHB-372
----------------------------	-----------------------------------	---	-------------------------

DIMENSIONS



QUANTIS

QUANTIS GOLD

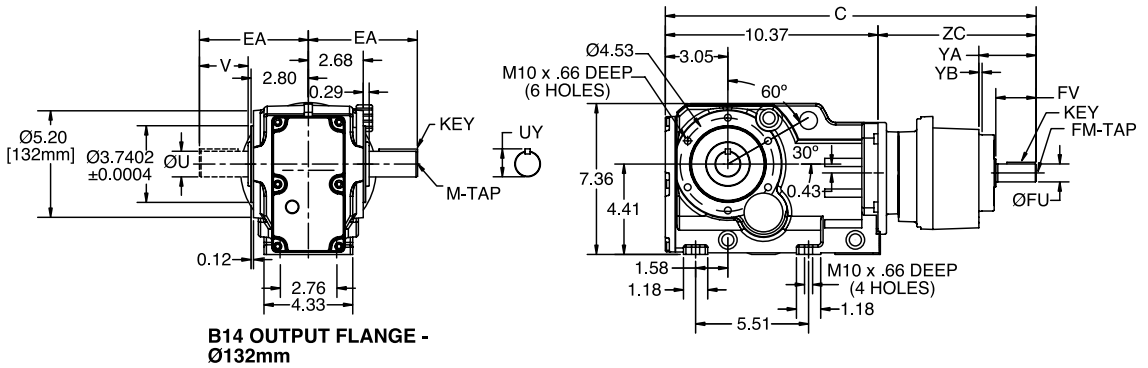
ILH

RHB

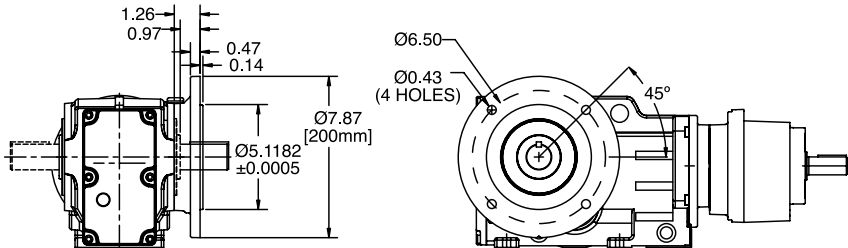
MSW

RIGHT ANGLE HELICAL BEVEL (RHB) Separate - Flange Mounted (B5 / B14) Triple Reduction Solid Output Shaft

SIZE: BF48

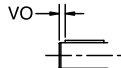


**B14 OUTPUT FLANGE -
Ø132mm**

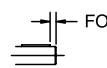


**B5 OUTPUT FLANGE -
Ø200mm**

METRIC OUPUT SHAFT



METRIC INPUT SHAFT



NOMENCLATURE
PAGE RHB-5

MOUNTING POSITIONS
PAGE RHB-11

STOCK/NON-STOCK PART NUMBERS
PAGE RHB-50

WEIGHTS
PAGE RHB-372

RIGHT ANGLE HELICAL BEVEL (RHB)

SIZE: BF48

Separate - Flange Mounted (B5 / B14)

Triple Reduction

Solid Output Shaft

STANDARD SOLID OUTPUT SHAFT

Dimension - Inch/MM

ØU	tol.	UY	V	VO	KEY	M-TAP x DEPTH	EA
1.250	+0.0000 -0.0005	137	2036	-	1/4 x 1/4 x 1-7/8	3/8-16 UNC x 0.87	5.31
30	+0.015 +0.002	33	60	4	8 x 7 x 50	M10 x 22	135

OPTIONAL SOLID OUTPUT SHAFT

Dimension - Inch/MM

ØU	tol.	UY	V	VO	KEY	M-TAP x DEPTH	EA
1.625	+0.0000 -0.0010	1.80	3.15	-	3/8 x 3/8 x 2-5/8	5/8-11 UNC x 1.42	6.10
40	+0.018 +0.002	43	80	5	12 x 8 x 70	M16 x 36	155

SEPARATE INPUT

Dimension - Inch/MM

	C	ZC	F0	FM x Depth	ØFU	tol.	FV	YA	YB	Key
71	16.31	5.94	---	8-32 UNC x 0.49	0.625	+0.0000 -0.0005	1.57	2.40	0.16	3/16 x 3/16 x 1-5/16
	415	151	4	M5 x 12.5	16	+0.012 +0.001	40			5 x 5 x 32
80	17.70	7.33	---	1/4 -20 UNC x 0.63	0.750	+0.0000 -0.0005	1.57	2.40	0.16	3/16 x 3/16 x 1-5/16
	450	186	4	M6 x 16	19	+0.015 +0.002	40			6 x 6 x 32
90	18.09	7.72	---	5/16-18 UNC x 0.75	0.875	+0.0000 -0.0005	1.97	280	0.16	3/16 x 3/16 x 1-5/8
	460	196	5	M8 x 19	24	+0.015 0.002	50			8 x 7 x 40
100	18.72	8.35	---	3/8-16 UNC x 0.87	1.125	+0.0000	2.36	3.27	0.16	1/4 x 1/4 x 2
	476	212	5	M10 x 22	28	+0.015 -0.002	60			8 x 7 x 50

Refer to page Engineering-4 for Input Flange and Shaft details.

NOMENCLATURE PAGE RHB-5	MOUNTING POSITIONS PAGE RHB-11	STOCK/NON-STOCK PART NUMBERS PAGE RHB-50	WEIGHTS PAGE RHB-372
----------------------------	-----------------------------------	---	-------------------------

DIMENSIONS



QUANTIS

QUANTIS GOLD

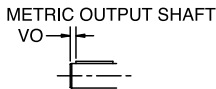
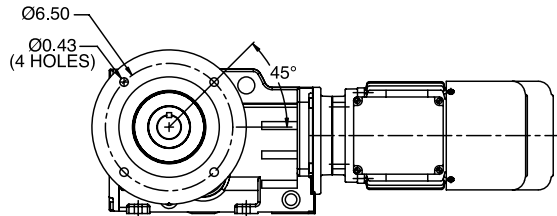
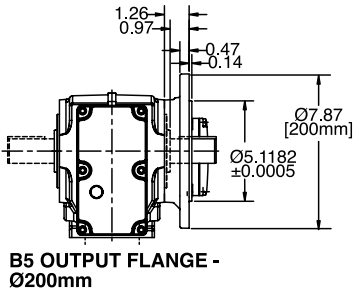
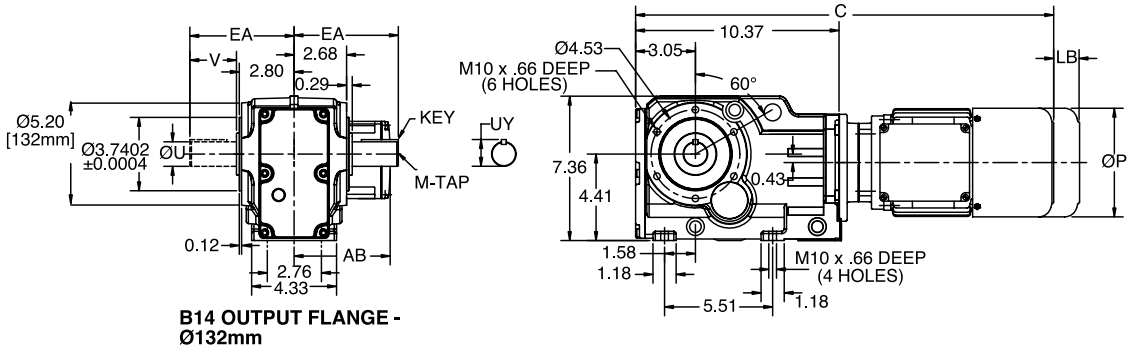
ILH

RHB

MSW

RIGHT ANGLE HELICAL BEVEL (RHB) Integral Gearmotor - Flange Mounted (B5 / B14) Triple Reduction Solid Output Shaft

SIZE: BF48



NOMENCLATURE PAGE RHB-5	MOUNTING POSITIONS PAGE RHB-11	STOCK/NON-STOCK PART NUMBERS PAGE RHB-50	WEIGHTS PAGE RHB-372
----------------------------	-----------------------------------	---	-------------------------

DIMENSIONS



RIGHT ANGLE HELICAL BEVEL (RHB) Integral Gearmotor - Flange Mounted (B5 / B14) Triple Reduction Solid Output Shaft

SIZE: BF48

STANDARD SOLID OUTPUT SHAFT

Dimension - Inch/MM

ØU	tol.	UY	V	VO	KEY	M-TAP x DEPTH	EA
1.250	+0.0000 -0.0005	1.37	2.36	-	1/4 x 1/4 x 1-7/8	3/8-16 UNC x 0.87	5.31
30	+0.015 +0.002	33	60	7	8 x 7 x 50	M10 x 22	135

OPTIONAL SOLID OUTPUT SHAFT

Dimension - Inch/MM

ØU	tol.	UY	V	VO	KEY	M-TAP x DEPTH	EA
1.625	+0.0000 -0.0010	1.80	3.15	-	3/8 x 3/8 x 2-5/8	5/8-11 UNC x 1.42	6.10
40	+0.018 +0.002	43	80	5	12 x 8 x 70	M16 x 36	155

MOTOR

Dimension - Inch/MM

Frame	C	LB	P	AB
71C4 / 71D4 / 71E4	20.92	1.81	6.19	5.18
	532	46	158	132
80F4	21.06	2.56	6.19	5.12
	535	65	158	131
80G4	22.56	2.56	6.19	5.12
	574	65	158	131
90H4	22.49	2.52	7.19	5.79
	572	64	183	148
90I4	23.37	2.52	7.19	5.79
	594	64	183	148
100J4	25.38	2.91	7.19	5.79
	645	74	183	148

NOMENCLATURE PAGE RHB-5	MOUNTING POSITIONS PAGE RHB-11	STOCK/NON-STOCK PART NUMBERS PAGE RHB-50	WEIGHTS PAGE RHB-372
----------------------------	-----------------------------------	---	-------------------------

DIMENSIONS



QUANTIS

QUANTIS GOLD

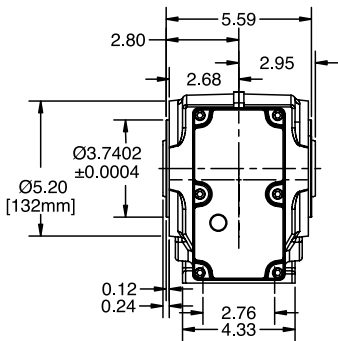
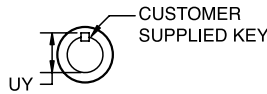
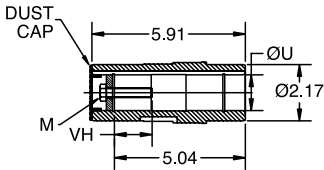
ILH

RHB

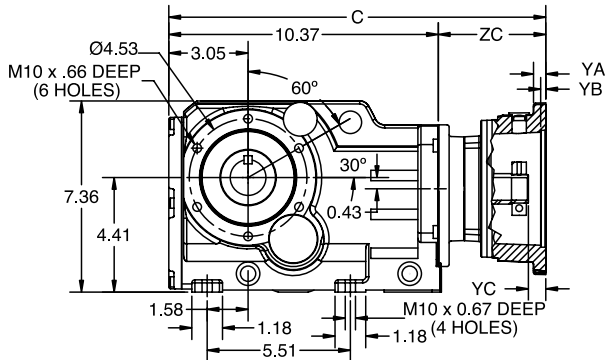
MSW

RIGHT ANGLE HELICAL BEVEL (RHB) NEMA C-Face - Flange Mounted (B5 / B14) - Clamp Collar / 3 Piece Coupled Triple Reduction Straight Hollow Bore Output Shaft

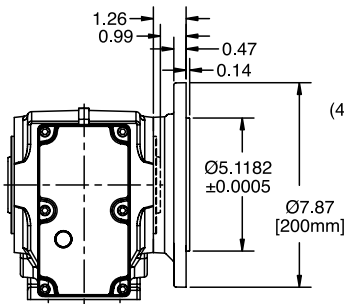
SIZE: BF48



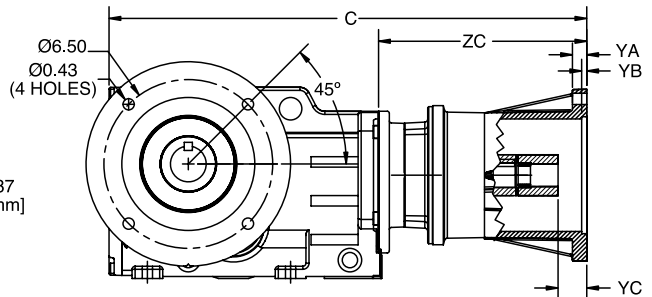
**B14 OUTPUT FLANGE -
Ø132mm**



CLAMP COLLAR



**B5 OUTPUT FLANGE -
Ø200mm**



THREE-PIECE COUPLED

NOMENCLATURE PAGE RHB-5	MOUNTING POSITIONS PAGE RHB-11	STOCK/NON-STOCK PART NUMBERS PAGE RHB-50	WEIGHTS PAGE RHB-372
----------------------------	-----------------------------------	---	-------------------------

DIMENSIONS



RIGHT ANGLE HELICAL BEVEL (RHB) NEMA C-Face - Flange Mounted (B5 / B14) - Clamp Collar / 3 Piece Coupled Triple Reduction Straight Hollow Bore Output Shaft

SIZE: BF48

HOLLOW OUTPUT SHAFT					Dimension - Inch/MM
ØU	tol.	UY	VH	KEY	M
1.375	+0.0010 +0.0004	1.53	1.45	5/16 x 5/16 x 2-3/16	3/8-16 x 1-3/4 UNC
35	+0.025 +0.009	38	43	10 x 8 x 45	M12 x 50

OPTIONAL HOLLOW OUTPUT SHAFT					Dimension - MM
ØU	tol.	UY	VH	KEY	M
40	+0.025 +0.009	43.3	48	12 x 8 x 50	M16 x 60

NEMA MOTOR ADAPTER - CLAMP COLLAR					Dimension - Inch
	C	ZC	YA	YB	YC
56C	13.87	3.50	0.47	0.20	0.67
140TC	14.54	4.17	0.47	0.20	0.67
180TC	14.86	4.49	0.69	0.22	0.93

NEMA MOTOR ADAPTER - 3 PIECE COUPLED					Dimension - Inch
	C	ZC	YA	YB	YC
56C	16.97	6.59	0.55	0.20	1.08
140TC	18.39	8.01	0.55	0.20	1.10

Refer to page Engineering-2 for Input Flange and Shaft details.
Refer to page Engineering-8 and Engineering-9 for driven shaft dimensions.
Refer to page RHB-350 for Twin Tapered Bushing details.

NOMENCLATURE PAGE RHB-5	MOUNTING POSITIONS PAGE RHB-11	STOCK/NON-STOCK PART NUMBERS PAGE RHB-50	WEIGHTS PAGE RHB-372
----------------------------	-----------------------------------	---	-------------------------

DIMENSIONS



QUANTIS

QUANTIS GOLD

ILH

RHB

MSW

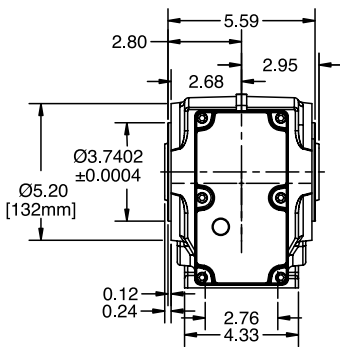
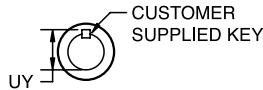
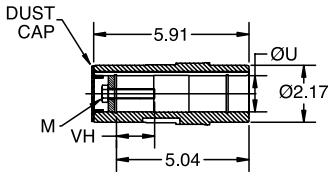
RIGHT ANGLE HELICAL BEVEL (RHB)

SIZE: BF48

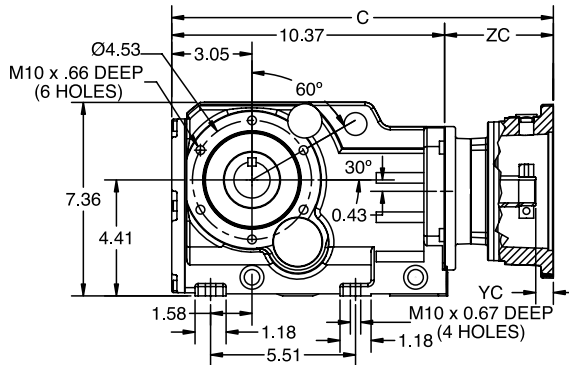
IEC D Flange (B5 Input) - Flange Mounted (B5 / B14) - Clamp Collar / 3 Piece Coupled

Triple Reduction

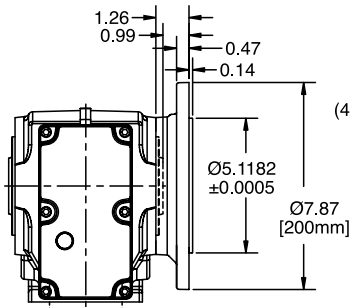
Straight Hollow Bore Output Shaft



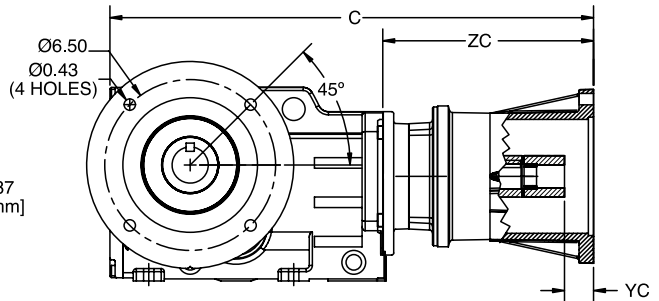
B14 OUTPUT FLANGE -
Ø132mm



CLAMP COLLAR



B5 OUTPUT FLANGE -
Ø200mm



THREE-PIECE COUPLED

NOMENCLATURE PAGE RHB-5	MOUNTING POSITIONS PAGE RHB-11	STOCK/NON-STOCK PART NUMBERS PAGE RHB-50	WEIGHTS PAGE RHB-372
----------------------------	-----------------------------------	---	-------------------------

DIMENSIONS



RIGHT ANGLE HELICAL BEVEL (RHB) SIZE: BF48 IEC D Flange (B5 Input) - Flange Mounted (B5 / B14) - Clamp Collar / 3 Piece Coupled Triple Reduction Straight Hollow Bore Output Shaft

HOLLOW OUTPUT SHAFT					Dimension - Inch/MM
ØU	tol.	UY	VH	KEY	M
1.375	+0.0010 +0.0004	1.53	1.45	5/16 x 5/16 x 2-3/16	3/8-16 x 1-3/4 UNC
35	+0.025 +0.009	38	43	10 x 8 x 45	M12 x 50

OPTIONAL HOLLOW OUTPUT SHAFT					Dimension - MM
ØU	tol.	UY	VH	KEY	M
40	+0.025 +0.009	43.3	48	12 x 8 x 50	M16 x 60

IEC MOTOR ADAPTER - CLAMP COLLAR				Dimension - Inch
	C	ZC	YC	
71D	13.13	2.76	0.16	
80D	14.07	3.70	0.61	
90D	14.07	3.70	0.61	
100D	14.37	4.00	0.28	

IEC MOTOR ADAPTER - 3 PIECE COUPLED				Dimension - Inch
	C	ZC	YC	
80D	18.30	7.93	0.59	
90D	18.30	7.93	1.02	
100D	19.19	8.82	1.18	

Refer to page Engineering-3 for Input Flange and Shaft details.
 Refer to page Engineering-8 and Engineering-9 for driven shaft dimensions.
 Refer to page RHB-350 for Twin Tapered Bushing details.

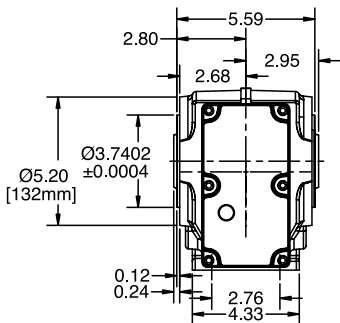
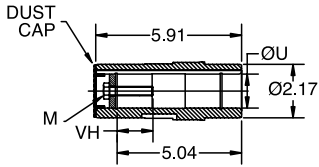
NOMENCLATURE PAGE RHB-5	MOUNTING POSITIONS PAGE RHB-11	STOCK/NON-STOCK PART NUMBERS PAGE RHB-50	WEIGHTS PAGE RHB-372
----------------------------	-----------------------------------	---	-------------------------

DIMENSIONS

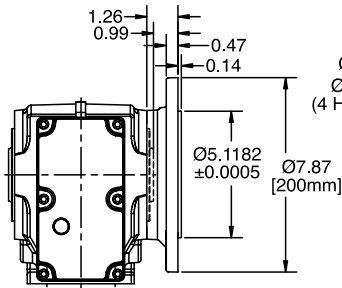
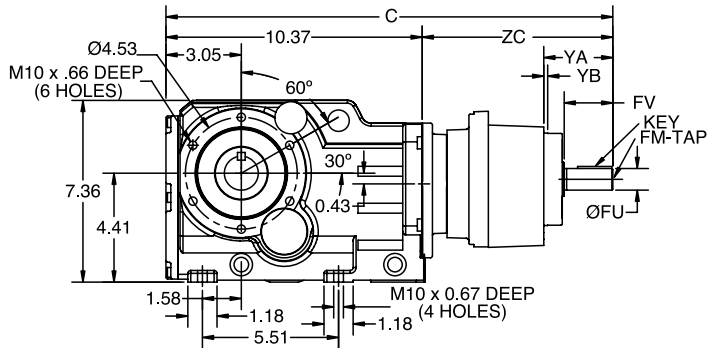


RIGHT ANGLE HELICAL BEVEL (RHB) Separate - Flange Mounted (B5 / B14) Triple Reduction Straight Hollow Bore Output Shaft

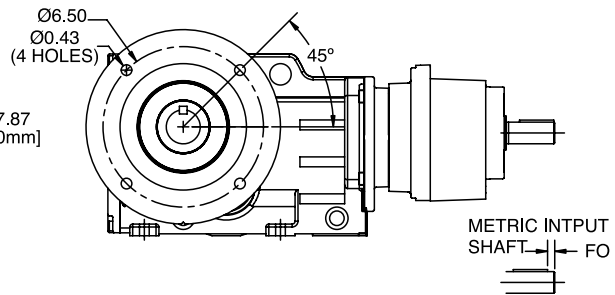
SIZE: BF48



**B14 OUTPUT FLANGE -
Ø132mm**



**B5 OUTPUT FLANGE -
Ø200mm**



NOMENCLATURE
PAGE RHB-5

MOUNTING POSITIONS
PAGE RHB-11

STOCK/NON-STOCK PART NUMBERS
PAGE RHB-50

WEIGHTS
PAGE RHB-372

DIMENSIONS



RIGHT ANGLE HELICAL BEVEL (RHB) Separate - Flange Mounted (B5 / B14) Triple Reduction Straight Hollow Bore Output Shaft

SIZE: BF48

HOLLOW OUTPUT SHAFT

Dimension - Inch/MM

ØU	tol.	UY	VH	KEY	M
1.375	+0.0010 +0.0004	1.53	1.45	5/16 x 5/16 x 2-3/16	3/8-16 x 1-3/4 UNC
35	+0.025 +0.009	38	43	10 x 8 x 45	M12 x 50

OPTIONAL HOLLOW OUTPUT SHAFT

Dimension - MM

ØU	tol.	UY	VH	KEY	M
40	+0.025 +0.009	43.3	48	12 x 8 x 50	M16 x 60

SEPARATE INPUT

Dimension - Inch/MM

	C	ZC	FO	FM x Depth	ØFU	tol.	FV	YA	YB	Key
71	16.31	5.94	---	8-32 UNC x 0.49	0.625	+0.0000 -0.0005	1.57	2.40	0.16	3/16 x 3/16 x 1-5/16
	415	151	4	M5 x 12.5	16	+0.012 +0.001	40			5 x 5 x 32
80	17.70	7.33	---	1/4 -20 UNC x 0.63	0.750	+0.0000 -0.0005	1.57	2.40	0.16	3/16 x 3/16 x 1-5/16
	450	186	4	M6 x 16	19	+0.015 +0.002	40			6 x 6 x 32
90	18.09	7.72	---	5/16-18 UNC x 0.75	0.875	+0.0000 -0.0005	1.97	2.80	0.16	3/16 x 3/16 x 1-5/8
	460	196	5	M8 x 19	24	+0.015 0.002	50			8 x 7 x 40
100	18.72	8.35	---	3/8-16 UNC x 0.87	1.125	+0.0000 +0.015	2.36	3.27	0.16	1/4 x 1/4 x 2
	476	212	5	M10 x 22	28	-0.002	60			8 x 7 x 50

Refer to page Engineering-4 for Input Flange and Shaft details.
Refer to page Engineering-8 and Engineering-9 for driven shaft dimensions.
Refer to page RHB-350 for Twin Tapered Bushing details.

NOMENCLATURE PAGE RHB-5	MOUNTING POSITIONS PAGE RHB-11	STOCK/NON-STOCK PART NUMBERS PAGE RHB-50	WEIGHTS PAGE RHB-372
----------------------------	-----------------------------------	---	-------------------------

DIMENSIONS



QUANTIS

QUANTIS GOLD

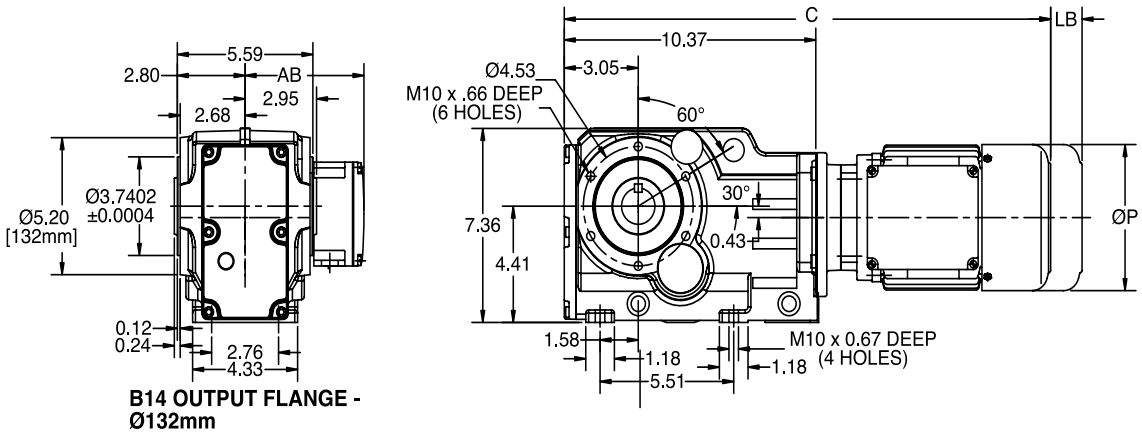
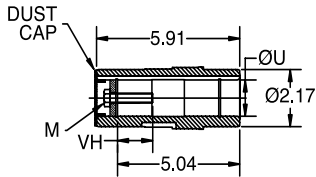
ILH

RHB

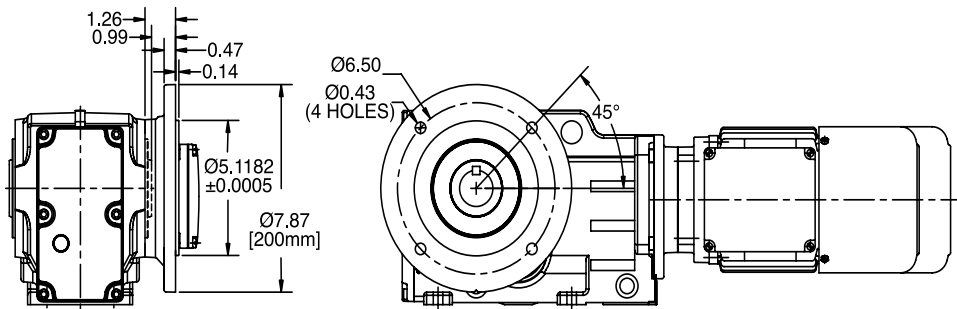
MSW

RIGHT ANGLE HELICAL BEVEL (RHB) Integral Gearmotor - Flange Mounted (B5 / B14) Triple Reduction Straight Hollow Bore Output Shaft

SIZE: BF48



**B14 OUTPUT FLANGE -
Ø132mm**



**B5 OUTPUT FLANGE -
Ø200mm**

NOMENCLATURE PAGE RHB-5	MOUNTING POSITIONS PAGE RHB-11	STOCK/NON-STOCK PART NUMBERS PAGE RHB-50	WEIGHTS PAGE RHB-372
----------------------------	-----------------------------------	---	-------------------------

DIMENSIONS



RIGHT ANGLE HELICAL BEVEL (RHB) Integral Gearmotor - Flange Mounted (B5 / B14) Triple Reduction Straight Hollow Bore Output Shaft

SIZE: BF48

STANDARD HOLLOW OUTPUT SHAFT

Dimension - Inch/MM

ØU	tol.	UY	VH	KEY	M
1.375	+0.0010 +0.0004	1.52	1.45	5/16 x 5/16 x 2-3/16	3/8-16 x 1-3/4 UNC
35	+0.025 +0.009	38	43	10 x 8 x 45	M12 x 50

OPTIONAL HOLLOW OUTPUT SHAFT

Dimension - MM

ØU	tol.	UY	VH	KEY	M
40	+0.025 +0.009	43.3	48	12 x 8 x 50	M16 x 60

MOTOR

Dimension - Inch/MM

Frame	C	LB	P	AB
71C4 / 71D4 / 71E4	20.92	1.81	6.19	5.18
	532	46	158	132
80F4	21.06	2.56	6.19	5.12
	535	65	158	131
80G4	22.56	2.56	6.19	5.12
	574	65	158	131
90H4	22.49	2.52	7.19	5.79
	572	64	183	148
90I4	23.37	2.52	7.19	5.79
	594	64	183	148
100J4	25.38	2.91	7.19	5.79
	645	74	183	148

Refer to page Engineering-8 and Engineering-9 for driven shaft dimensions.
Refer to page RHB-350 for Twin Tapered Bushing details.

NOMENCLATURE PAGE RHB-5	MOUNTING POSITIONS PAGE RHB-11	STOCK/NON-STOCK PART NUMBERS PAGE RHB-50	WEIGHTS PAGE RHB-372
----------------------------	-----------------------------------	---	-------------------------

DIMENSIONS



QUANTIS

QUANTIS GOLD

ILH

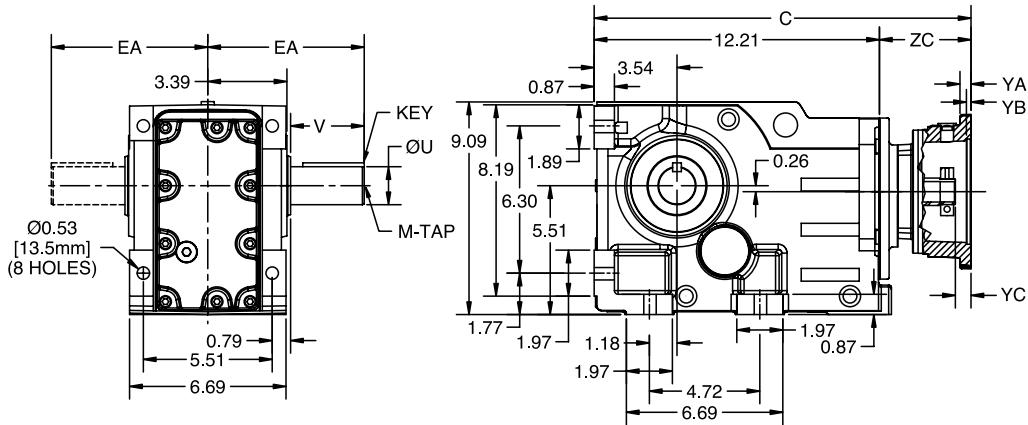
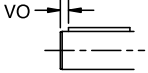
RHB

MSW

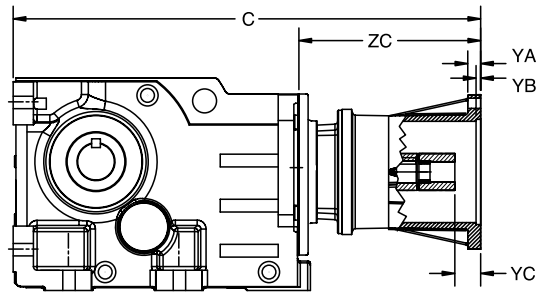
RIGHT ANGLE HELICAL BEVEL (RHB) NEMA C-Face - Foot Mounted - Clamp Collar / 3 Piece Coupled Triple Reduction Solid Output Shaft

SIZE: BB68

METRIC OUTPUT SHAFT



CLAMP COLLAR



THREE-PIECE COUPLED

NOMENCLATURE PAGE RHB-5	MOUNTING POSITIONS PAGE RHB-11	STOCK/NON-STOCK PART NUMBERS PAGE RHB-50	WEIGHTS PAGE RHB-372
----------------------------	-----------------------------------	---	-------------------------

DIMENSIONS



RIGHT ANGLE HELICAL BEVEL (RHB) NEMA C-Face - Foot Mounted - Clamp Collar / 3 Piece Coupled Triple Reduction Solid Output Shaft

SIZE: BB68

STANDARD SOLID OUTPUT SHAFT

Dimension - Inch/MM

ØU	tol.	UY	V	VO	KEY	M-TAP x DEPTH	EA
1.625	+0.0000 -0.0010	1.80	3.15	-	3/8 x 3/8 x 2-5/8	5/8-11 UNC x 1.42	6.69
40	+0.018 +0.002	43	80	5	12 x 8 x 70	M16 x 36	170

OPTIONAL SOLID OUTPUT SHAFT

Dimension - Inch/MM

ØU	tol.	UY	V	VO	KEY	M-TAP x DEPTH	EA
2.000	+0.0000 -0.0010	2.22	3.94	-	1/2 x 1/2 x 3-1/4	3/4-10 UNC x 1.65	7.48
50	+0.018 +0.002	54	100	10	14 x 9 x 80	M16 x 36	190

NEMA MOTOR ADAPTER - CLAMP COLLAR

Dimension - Inch

	C	ZC	YA	YB	YC
56C	15.50	3.29	0.47	0.20	0.67
140TC	16.17	3.96	0.47	0.20	0.67
180TC	17.75	5.54	0.73	0.22	0.91

NEMA MOTOR ADAPTER - 3 PIECE COUPLED

Dimension - Inch

	C	ZC	YA	YB	YC
56C	18.59	6.38	0.55	0.20	1.08
140TC	20.01	7.80	0.55	0.20	1.10
180TC	21.28	9.07	0.73	0.22	1.65

Refer to page Engineering-2 for Input Flange and Shaft details.

NOMENCLATURE PAGE RHB-5	MOUNTING POSITIONS PAGE RHB-11	STOCK/NON-STOCK PART NUMBERS PAGE RHB-50	WEIGHTS PAGE RHB-372
----------------------------	-----------------------------------	---	-------------------------

DIMENSIONS



QUANTIS

QUANTIS GOLD

ILH

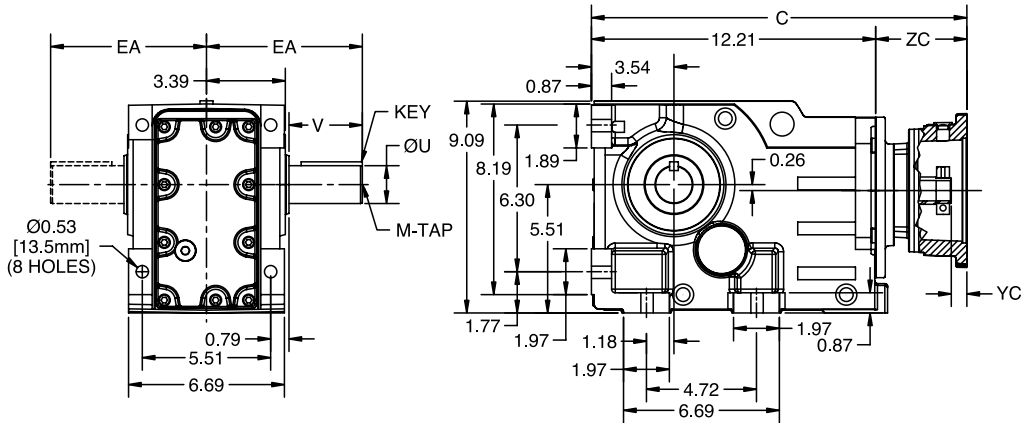
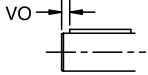
RHB

MSW

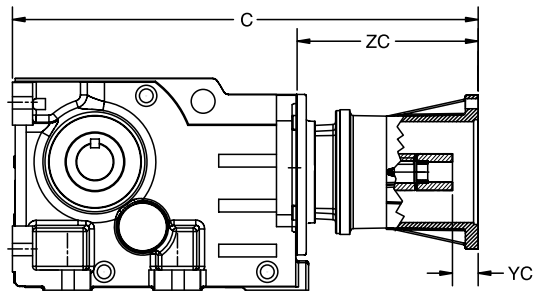
RIGHT ANGLE HELICAL BEVEL (RHB) IEC D Flange (B5 Input) - Foot Mounted - Clamp Collar / 3 Piece Coupled Triple Reduction Solid Output Shaft

SIZE: BB68

METRIC OUTPUT SHAFT



CLAMP COLLAR



THREE-PIECE COUPLED

NOMENCLATURE PAGE RHB-5	MOUNTING POSITIONS PAGE RHB-11	STOCK/NON-STOCK PART NUMBERS PAGE RHB-50	WEIGHTS PAGE RHB-372
----------------------------	-----------------------------------	---	-------------------------

DIMENSIONS



RIGHT ANGLE HELICAL BEVEL (RHB) IEC D Flange (B5 Input) - Foot Mounted - Clamp Collar / 3 Piece Coupled Triple Reduction Solid Output Shaft

SIZE: BB68

STANDARD SOLID OUTPUT SHAFT

Dimension - Inch/MM

ØU	tol.	UY	V	VO	KEY	M-TAP x DEPTH	EA
1.625	+0.0000 -0.0010	1.80	3.15	-	3/8 x 3/8 x 2-5/8	5/8-11 UNC x 1.42	6.69
40	+0.018 +0.002	43	80	5	12 x 8 x 70	M16 x 36	170

OPTIONAL SOLID OUTPUT SHAFT

Dimension - Inch/MM

ØU	tol.	UY	V	VO	KEY	M-TAP x DEPTH	EA
2.000	+0.0000 -0.0010	2.22	3.94	-	1/2 x 1/2 x 3-1/4	3/4-10 UNC x 1.65	7.48
50	+0.018 +0.002	54	100	10	14 x 9 x 80	M16 x 36	190

IEC MOTOR ADAPTER - CLAMP COLLAR

Dimension - Inch

	C	ZC	YC
71D	14.75	2.54	0.16
80D	15.69	3.48	0.61
90D	15.69	3.48	0.61
100D	15.99	3.78	0.28
112D	16.32	4.11	0.28

IEC MOTOR ADAPTER - 3 PIECE COUPLED

Dimension - Inch

	C	ZC	YC
80D	19.93	7.72	0.59
90D	19.93	7.72	1.02
100D	20.81	8.60	1.18
112D	20.77	8.56	1.18

Refer to page Engineering-3 for Input Flange and Shaft details

NOMENCLATURE PAGE RHB-5	MOUNTING POSITIONS PAGE RHB-11	STOCK/NON-STOCK PART NUMBERS PAGE RHB-50	WEIGHTS PAGE RHB-372
----------------------------	-----------------------------------	---	-------------------------

DIMENSIONS



RIGHT ANGLE HELICAL BEVEL (RHB)

SIZE: BB68

Separate - Foot Mounted
Triple Reduction
Solid Output Shaft

QUANTIS

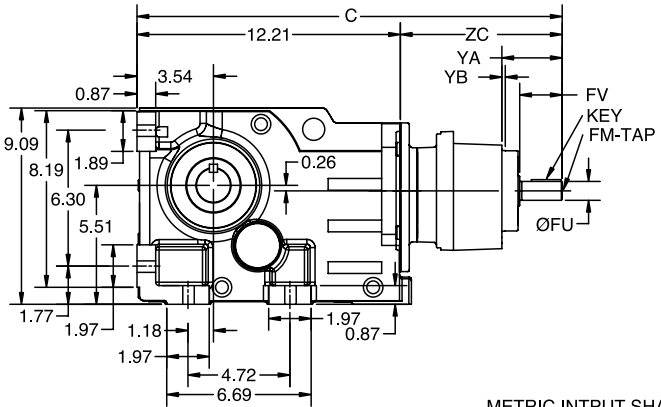
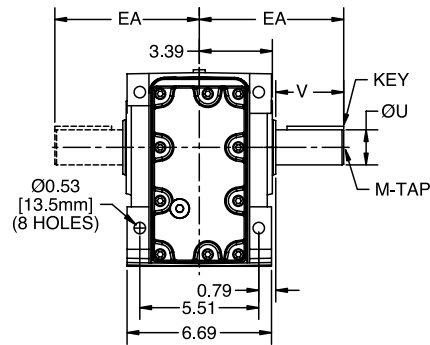
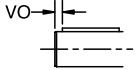
QUANTIS GOLD

ILH

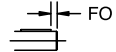
RHB

MSW

METRIC OUTPUT SHAFT



METRIC INPUT SHAFT



NOMENCLATURE PAGE RHB-5	MOUNTING POSITIONS PAGE RHB-11	STOCK/NON-STOCK PART NUMBERS PAGE RHB-50	WEIGHTS PAGE RHB-372
----------------------------	-----------------------------------	---	-------------------------

RIGHT ANGLE HELICAL BEVEL (RHB)

SIZE: BB68

Separate - Foot Mounted
Triple Reduction
Solid Output Shaft

STANDARD SOLID OUTPUT SHAFT

Dimension - Inch/MM

ØU	tol.	UY	V	VO	KEY	M-TAP x DEPTH	EA
1.625	+0.0000 -0.0010	1.80	3.15	-	3/8 x 3/8 x 2-5/8	5/8-11 UNC x 1.42	6.69
40	+0.018 +0.002	43	80	5	12 x 8 x 70	M16 x 36	170

OPTIONAL SOLID OUTPUT SHAFT

Dimension - Inch/MM

ØU	tol.	UY	V	VO	KEY	M-TAP x DEPTH	EA
2.000	+0.0000 -0.0010	2.22	3.94	-	1/2 x 1/2 x 3-1/4	3/4-10 UNC x 1.65	7.48
50	+0.018 +0.002	54	100	10	14 x 9 x 80	M16 x 36	190

SEPARATE INPUT

Dimension - Inch/MM

	C	ZC	FO	FM x Depth	ØFU	tol.	FV	YA	YB	Key
71	17.96	5.75	---	8-32 UNC x 0.49	0.625	+0.0000 -0.0005	1.57	2.40	0.16	3/16 x 3/16 x 1-5/16
	456	146	4	M5 x 12.5	16	+0.012 +0.001	40			5 x 5 x 32
80	19.34	7.13	---	1/4 -20 UNC x 0.63	0.750	+0.0000 -0.0005	1.57	2.40	0.16	3/16 x 3/16 x 1-5/16
	491	181	4	M6 x 16	19	+0.015 +0.002	40			6 x 6 x 32
90	19.73	7.52	---	5/16-18 UNC x 0.75	0.875	+0.0000 -0.0005	1.97	2.80	0.16	3/16 x 3/16 x 1-5/8
	501	191	5	M8 x 19	24	+0.015 +0.002	50			8 x 7 x 40
100	20.36	8.15	---	3/8-16 UNC x 0.87	1.125	+0.0000 -0.0005	2.36	3.27	0.16	1/4 x 1/4 x 2
	517	207	5	M10 x 22	28	+0.015 +0.002	60			8 x 7 x 50
112	20.40	8.19	---	3/8-16 UNC x 0.87	1.250	+0.0000 -0.0005	2.36	3.27	0.16	1/4 x 1/4 x 2
	518	208	5	M10 x 22	28	+0.015 +0.002	60			8 x 7 x 50

Refer to page Engineering-4 for Input Flange and Shaft details.

NOMENCLATURE PAGE RHB-5	MOUNTING POSITIONS PAGE RHB-11	STOCK/NON-STOCK PART NUMBERS PAGE RHB-50	WEIGHTS PAGE RHB-372
----------------------------	-----------------------------------	---	-------------------------

DIMENSIONS



QUANTIS

QUANTIS GOLD

ILH

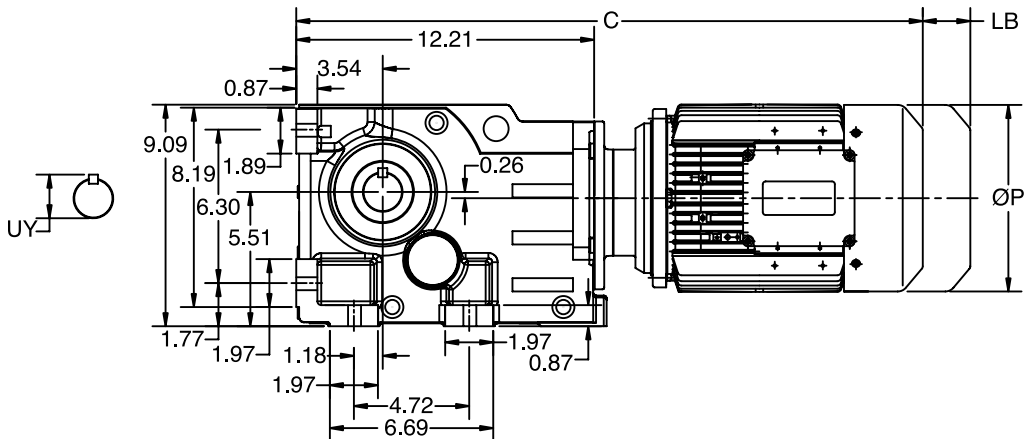
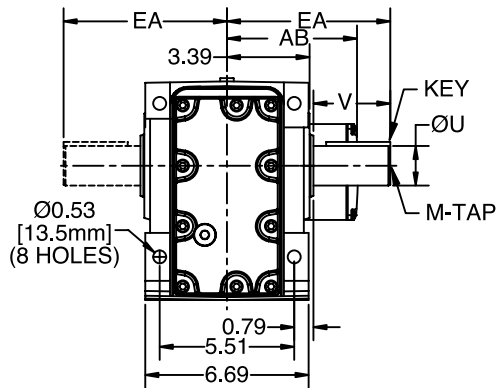
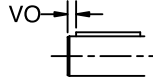
RHB

MSW

RIGHT ANGLE HELICAL BEVEL (RHB) Integral Gearmotor - Foot Mounted Triple Reduction Solid Output Shaft

SIZE: BB68

METRIC OUTPUT SHAFT



NOMENCLATURE PAGE RHB-5	MOUNTING POSITIONS PAGE RHB-11	STOCK/NON-STOCK PART NUMBERS PAGE RHB-50	WEIGHTS PAGE RHB-372
----------------------------	-----------------------------------	---	-------------------------

DIMENSIONS



RIGHT ANGLE HELICAL BEVEL (RHB)

SIZE: BB68

Integral Gearmotor - Foot Mounted

Triple Reduction

Solid Output Shaft

STANDARD SOLID OUTPUT SHAFT

Dimension - Inch/MM

ØU	tol.	UY	V	VO	KEY	M-TAP x DEPTH	EA
1.625	+0.0000 -0.0010	1.80	3.15	-	3/8 x 3/8 x 2-5/8	5/8-11 UNC x 1.42	6.69
40	+0.018 +0.002	43	80	5	12 x 8 x 70	M16 x 36	170

OPTIONAL SOLID OUTPUT SHAFT

Dimension - Inch/MM

ØU	tol.	UY	V	VO	KEY	M-TAP x DEPTH	EA
2.000	+0.0000 -0.0010	2.22	3.94	-	1/2 x 1/2 x 3-1/4	3/4-10 UNC x 1.65	7.48
50	+0.018 +0.002	54	100	10	14 x 9 x 80	M16 x 36	190

MOTOR

Dimension - Inch/MM

Frame	C	LB	P	AB
71C4 / 71D4 / 71E4	22.53	1.81	6.19	5.18
	573	46	158	132
80F4	22.68	2.56	6.19	5.12
	577	65	158	131
80G4	24.18	2.56	6.19	5.12
	615	65	158	131
90H4	24.1	2.52	7.19	5.79
	613	64	183	148
90I4	24.99	2.52	7.19	5.79
	635	64	183	148
100J4	26.99	2.91	7.19	5.79
	686	74	183	148
112L4	28.72	2.91	8.6	6.88
	730	74	219	175

QUANTIS

QUANTIS GOLD

ILH

RHB

MSM

NOMENCLATURE PAGE RHB-5	MOUNTING POSITIONS PAGE RHB-11	STOCK/NON-STOCK PART NUMBERS PAGE RHB-50	WEIGHTS PAGE RHB-372
----------------------------	-----------------------------------	---	-------------------------

DIMENSIONS



QUANTIS

QUANTIS GOLD

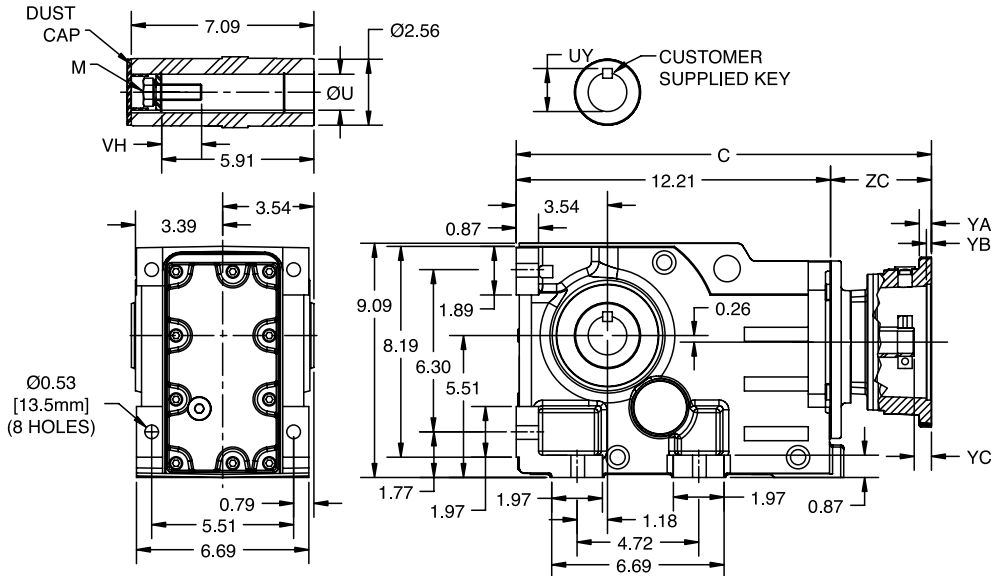
ILH

RHB

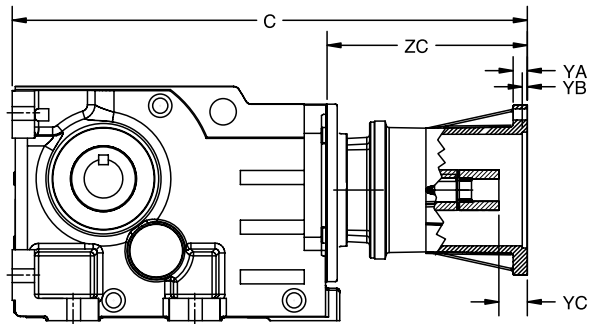
MSW

RIGHT ANGLE HELICAL BEVEL (RHB) NEMA C-Face - Foot Mounted - Clamp Collar / 3 Piece Coupled Triple Reduction Straight Hollow Bore Output Shaft

SIZE: BB68



CLAMP COLLAR



THREE-PIECE COUPLED

NOMENCLATURE PAGE RHB-5	MOUNTING POSITIONS PAGE RHB-11	STOCK/NON-STOCK PART NUMBERS PAGE RHB-50	WEIGHTS PAGE RHB-372
----------------------------	-----------------------------------	---	-------------------------

DIMENSIONS



RIGHT ANGLE HELICAL BEVEL (RHB) NEMA C-Face - Foot Mounted - Clamp Collar / 3 Piece Coupled Triple Reduction Straight Hollow Bore Output Shaft

SIZE: BB68

STANDARD HOLLOW OUTPUT SHAFT Dimension - Inch/MM

ØU	tol.	UY	VH	KEY	M
1.500	+0.0010 +0.0004	1.68	2.05	3/8 x 3/8 x 3-1/8	5/8-11 x 2-1/4 UNC
40	+0.025 +0.009	43	48	12 x 8 x 50	M16 x 60

OPTIONAL HOLLOW OUTPUT SHAFT Dimension - Inch/MM

ØU	tol.	UY	VH	KEY	M
1.4375	+0.0010 +0.0004	1.62	1.98	3/8 x 3/8 x 3-3/8	3/8-16 x 2-1/4 UNC
45	+0.025 +0.009	49	47	14 x 9 x 70	M16 x 60

NEMA MOTOR ADAPTER - CLAMP COLLAR Dimension - Inch

	C	ZC	YA	YB	YC
56C	15.50	3.29	0.47	0.20	0.67
140TC	16.17	3.96	0.47	0.20	0.67
180TC	17.75	5.54	0.73	0.22	0.91

NEMA MOTOR ADAPTER - 3 PIECE COUPLED Dimension - Inch

	C	ZC	YA	YB	YC
56C	18.59	6.38	0.55	0.20	1.08
140TC	20.01	7.80	0.55	0.20	1.10
180TC	21.28	9.07	0.73	0.22	1.65

Refer to page Engineering-2 for Input Flange and Shaft details.
Refer to page Engineering-8 and Engineering-9 for driven shaft dimensions.
Refer to page RHB-352 for Twin Tapered Bushing details.

NOMENCLATURE PAGE RHB-5	MOUNTING POSITIONS PAGE RHB-11	STOCK/NON-STOCK PART NUMBERS PAGE RHB-50	WEIGHTS PAGE RHB-372
----------------------------	-----------------------------------	---	-------------------------

DIMENSIONS



QUANTIS

QUANTIS GOLD

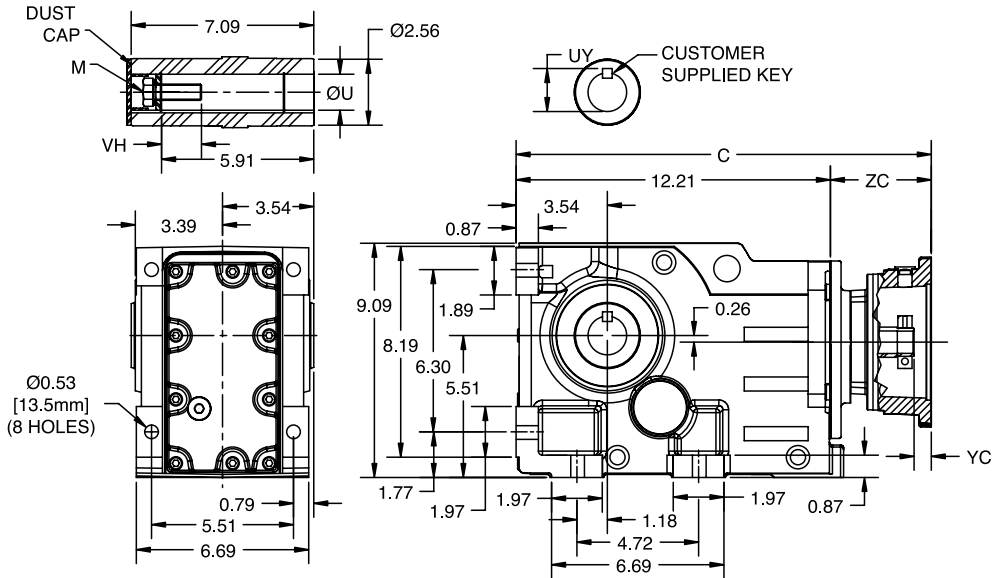
ILH

RHB

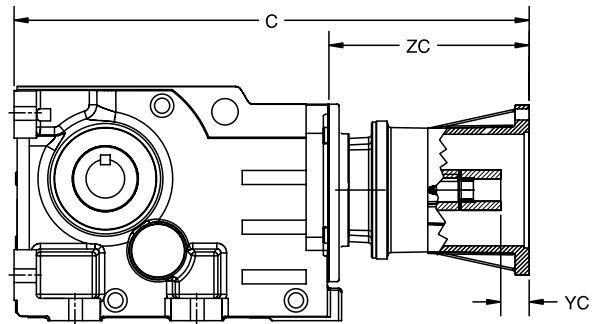
MSW

RIGHT ANGLE HELICAL BEVEL (RHB)
IEC D Flange (B5 Input) - Foot Mounted - Clamp Collar / 3 Piece Coupled
Triple Reduction
Straight Hollow Bore Output Shaft

SIZE: BB68



CLAMP COLLAR



THREE-PIECE COUPLED

NOMENCLATURE PAGE RHB-5	MOUNTING POSITIONS PAGE RHB-11	STOCK/NON-STOCK PART NUMBERS PAGE RHB-50	WEIGHTS PAGE RHB-372
----------------------------	-----------------------------------	---	-------------------------

DIMENSIONS



RIGHT ANGLE HELICAL BEVEL (RHB) IEC D Flange (B5 Input) - Foot Mounted - Clamp Collar / 3 Piece Coupled Triple Reduction Straight Hollow Bore Output Shaft

SIZE: BB68

QUANTIS

QUANTIS GOLD

ILH

RHB

MSM

STANDARD HOLLOW OUTPUT SHAFT Dimension - Inch/MM

ØU	tol.	UY	VH	KEY	M
1.500	+0.0010 +0.0004	1.68	2.05	3/8 x 3/8 x 3-1/8	5/8-11 x 2-1/4 UNC
40	+0.025 +0.009	43	48	12 x 8 x 50	M16 x 60

OPTIONAL HOLLOW OUTPUT SHAFT Dimension - Inch/MM

ØU	tol.	UY	VH	KEY	M
1.4375	+0.0010 +0.0004	1.62	1.98	3/8 x 3/8 x 3-3/8	3/8-16 x 2-1/4 UNC
45	+0.025 +0.009	49	47	14 x 9 x 70	M16 x 60

IEC MOTOR ADAPTER - CLAMP COLLAR Dimension - Inch

	C	ZC	YC
71D	14.75	2.54	0.16
80D	15.69	3.48	0.61
90D	15.69	3.48	0.61
100D	15.99	3.78	0.28
112D	16.32	4.11	0.28

IEC MOTOR ADAPTER - 3 PIECE COUPLED Dimension - Inch

	C	ZC	YC
80D	19.93	7.72	0.59
90D	19.93	7.72	1.02
100D	20.81	8.60	1.18
112D	20.77	8.56	1.18

Refer to page Engineering-3 for Input Flange and Shaft details.
Refer to page Engineering-8 and Engineering-9 for driven shaft dimensions.
Refer to page RHB-352 for Twin Tapered Bushing details.

NOMENCLATURE PAGE RHB-5	MOUNTING POSITIONS PAGE RHB-11	STOCK/NON-STOCK PART NUMBERS PAGE RHB-50	WEIGHTS PAGE RHB-372
----------------------------	-----------------------------------	---	-------------------------

DIMENSIONS



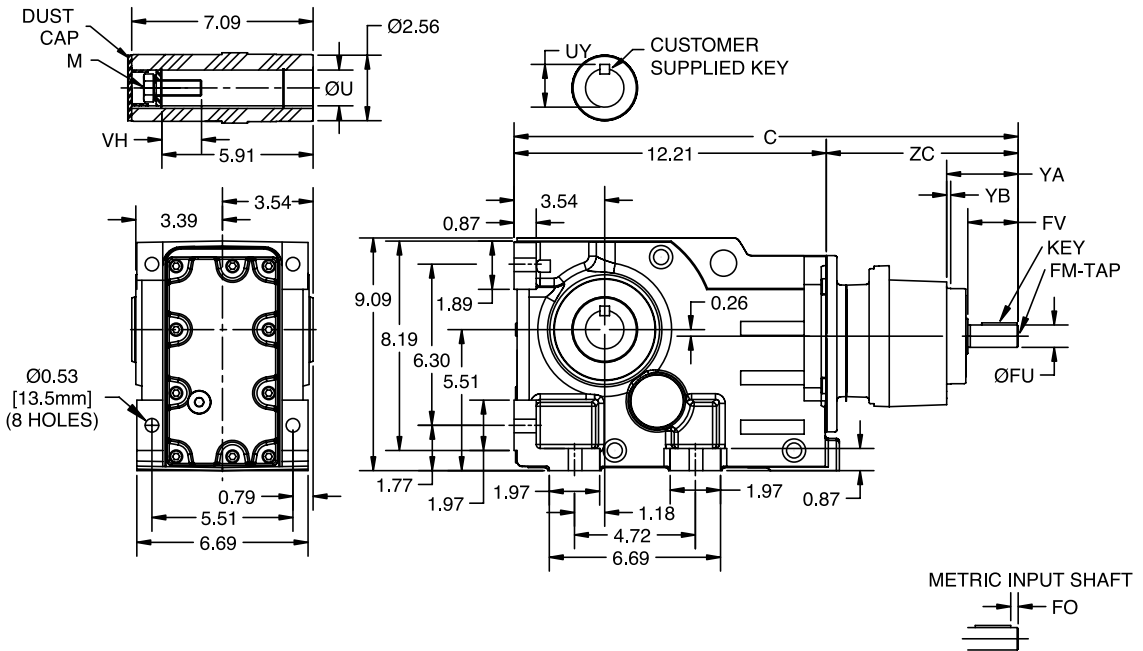
RIGHT ANGLE HELICAL BEVEL (RHB)

SIZE: BB68

Separate - Foot Mounted

Triple Reduction

Straight Hollow Bore Output Shaft



NOMENCLATURE
PAGE RHB-5

MOUNTING POSITIONS
PAGE RHB-11

STOCK/NON-STOCK PART NUMBERS
PAGE RHB-50

WEIGHTS
PAGE RHB-372

RIGHT ANGLE HELICAL BEVEL (RHB)

SIZE: BB68

Separate - Foot Mounted
Triple Reduction
Straight Hollow Bore Output Shaft

STANDARD HOLLOW OUTPUT SHAFT

Dimension - Inch/MM

ØU	tol.	UY	VH	KEY	M
1.500	+0.0010 +0.0004	1.68	2.05	3/8 x 3/8 x 3-1/8	5/8-11 x 2-1/4 UNC
40	+0.025 +0.009	43	48	12 x 8 x 50	M16 x 60

OPTIONAL HOLLOW OUTPUT SHAFT

Dimension - Inch/MM

ØU	tol.	UY	VH	KEY	M
1.4375	+0.0010 +0.0004	1.62	1.98	3/8 x 3/8 x 3-3/8	3/8-16 x 2-1/4 UNC
45	+0.025 +0.009	49	47	14 x 9 x 70	M16 x 60

SEPARATE INPUT

Dimension - Inch/MM

	C	ZC	FO	FM x Depth	ØFU	tol.	FV	YA	YB	Key
71	17.96	5.75	---	8-32 UNC x 0.49	0.625	+0.0000 -0.0005	1.57	2.40	0.16	3/16 x 3/16 x 1-5/16
	456	146	4	M5 x 12.5	16	+0.012 +0.001	40			5 x 5 x 32
80	19.34	7.13	---	1/4 -20 UNC x 0.63	0.750	+0.0000 -0.0005	1.57	2.40	0.16	3/16 x 3/16 x 1-5/16
	491	181	4	M6 x 16	19	+0.015 +0.002	40			6 x 6 x 32
90	19.73	7.52	---	5/16-18 UNC x 0.75	0.875	+0.0000 -0.0005	1.97	2.80	0.16	3/16 x 3/16 x 1-5/8
	501	191	5	M8 x 19	24	+0.015 +0.002	50			8 x 7 x 40
100	20.36	8.15	---	3/8-16 UNC x 0.87	1.125	+0.0000 -0.0005	2.36	3.27	0.16	1/4 x 1/4 x 2
	517	207	5	M10 x 22	28	+0.015 +0.002	60			8 x 7 x 50
112	20.40	8.19	---	3/8-16 UNC x 0.87	1.250	+0.0000 -0.0005	2.36	3.27	0.16	1/4 x 1/4 x 2
	518	208	5	M10 x 22	28	+0.015 +0.002	60			8 x 7 x 50

Refer to page Engineering-4 for Input Flange and Shaft details.
Refer to page Engineering-8 and Engineering-9 for driven shaft dimensions.
Refer to page RHB-352 for Twin Tapered Bushing details.

NOMENCLATURE PAGE RHB-5	MOUNTING POSITIONS PAGE RHB-11	STOCK/NON-STOCK PART NUMBERS PAGE RHB-60	WEIGHTS PAGE RHB-372
----------------------------	-----------------------------------	---	-------------------------

DIMENSIONS



QUANTIS

QUANTIS GOLD

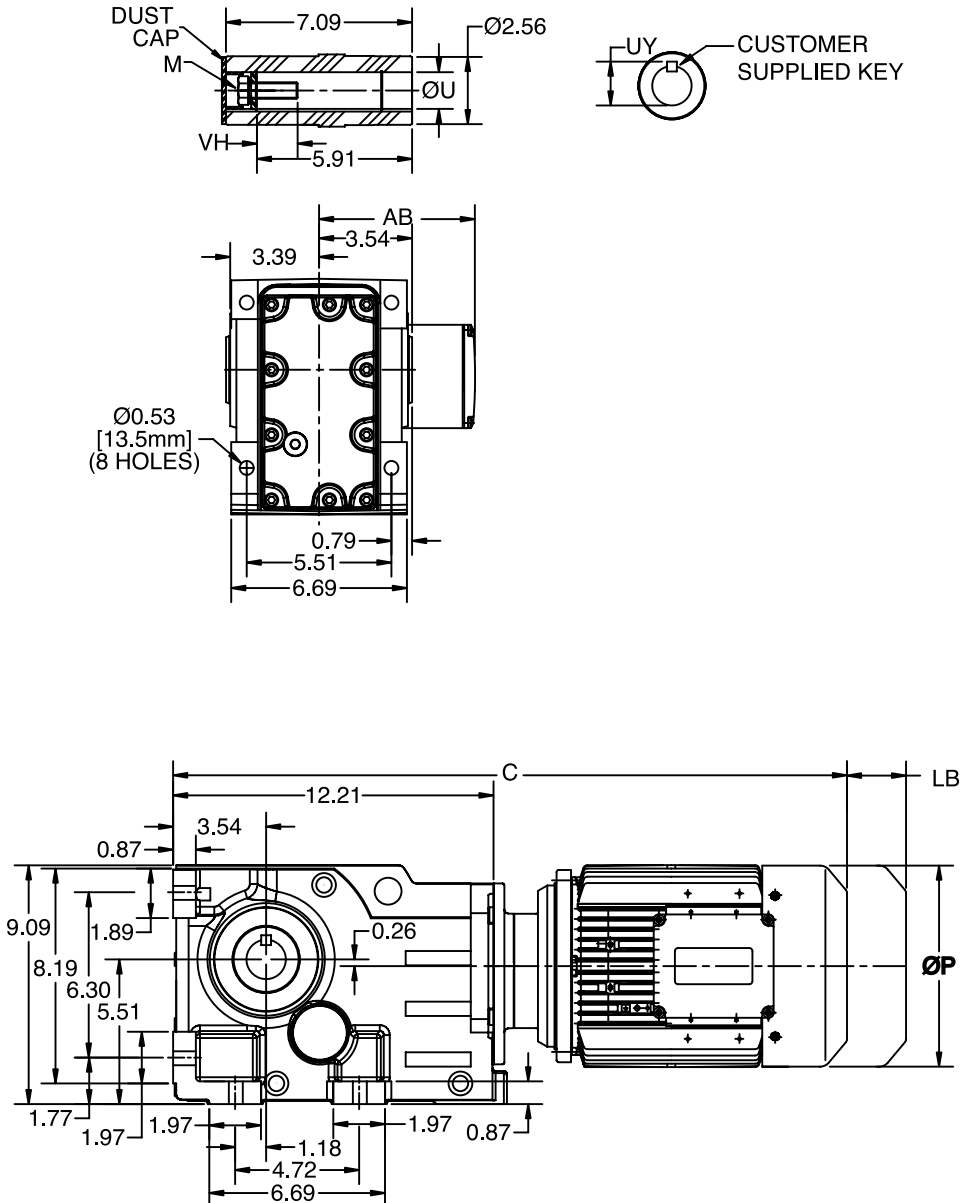
ILH

RHB

MSM

RIGHT ANGLE HELICAL BEVEL (RHB) Integral Gearmotor - Foot Mounted Triple Reduction Straight Hollow Bore Output Shaft

SIZE: BB68



NOMENCLATURE
PAGE RHB-5

MOUNTING POSITIONS
PAGE RHB-11

STOCK/NON-STOCK PART NUMBERS
PAGE RHB-50

WEIGHTS
PAGE RHB-372

DIMENSIONS



RIGHT ANGLE HELICAL BEVEL (RHB)

SIZE: BB68

Integral Gearmotor - Foot Mounted
Triple Reduction
Straight Hollow Bore Output Shaft

QUANTIS

QUANTIS GOLD

ILH

RHB

MSM

STANDARD HOLLOW OUTPUT SHAFT Dimension - Inch/MM

ØU	tol.	UY	VH	KEY	M
1.500	+0.0010 +0.0004	1.68	2.05	3/8 x 3/8 x 3-1/8	5/8-11 x 2-1/4 UNC
40	+0.025 +0.009	43	48	12 x 8 x 50	M16 x 60

OPTIONAL HOLLOW OUTPUT SHAFT Dimension - Inch/MM

ØU	tol.	UY	VH	KEY	M
1.4375	+0.0010 +0.0004	1.62	1.98	3/8 x 3/8 x 3-3/8	3/8-16 x 2-1/4 UNC
45	+0.025 +0.009	49	47	14 x 9 x 70	M16 x 60

MOTOR Dimension - Inch/MM

Frame	C	LB	P	AB
71C4 / 71D4 / 71E4	22.53	1.81	6.19	5.18
	573	46	158	132
80F4	22.68	2.56	6.19	5.12
	577	65	158	131
80G4	24.18	2.56	6.19	5.12
	615	65	158	131
90H4	24.1	2.52	7.19	5.79
	613	64	183	148
90I4	24.99	2.52	7.19	5.79
	635	64	183	148
100J4	26.99	2.91	7.19	5.79
	686	74	183	148
112L4	28.72	2.91	8.6	6.88
	730	74	219	175

Refer to page Engineering-8 and Engineering-9 for driven shaft dimensions.
Refer to page RHB-352 for Twin Tapered Bushing details.

NOMENCLATURE PAGE RHB-5	MOUNTING POSITIONS PAGE RHB-11	STOCK/NON-STOCK PART NUMBERS PAGE RHB-50	WEIGHTS PAGE RHB-372
----------------------------	-----------------------------------	---	-------------------------

DIMENSIONS



QUANTIS

QUANTIS GOLD

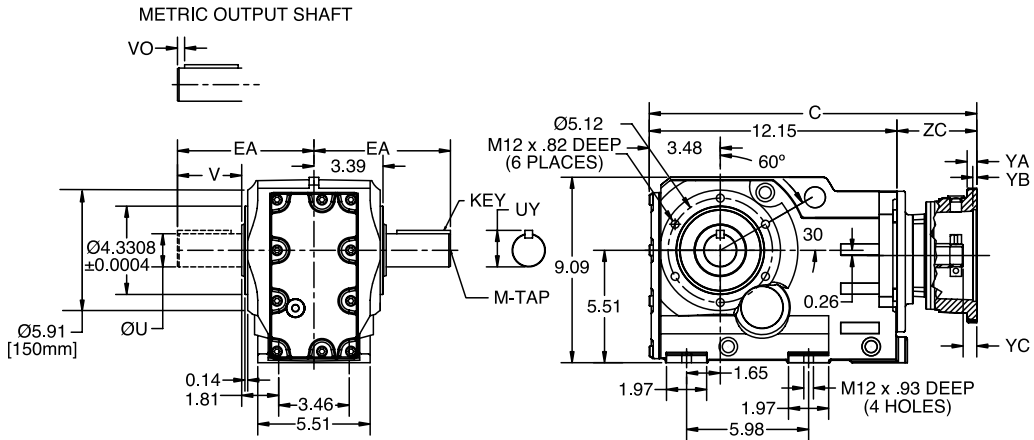
ILH

RHB

MSW

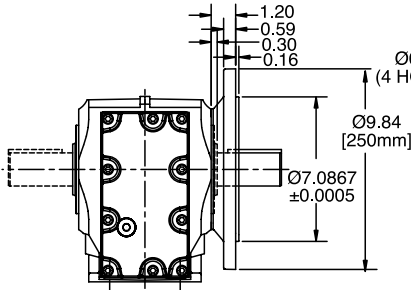
RIGHT ANGLE HELICAL BEVEL (RHB) NEMA C-Face - Flange Mounted (B5 / B14) - Clamp Collar / 3 Piece Coupled Triple Reduction Solid Output Shaft

SIZE: BF68

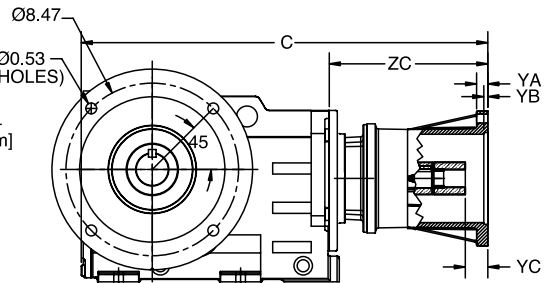


**B14 OUTPUT FLANGE -
Ø150mm**

CLAMP COLLAR



**B5 OUTPUT FLANGE -
Ø250mm**



THREE-PIECE COUPLED

NOMENCLATURE PAGE RHB-5	MOUNTING POSITIONS PAGE RHB-11	STOCK/NON-STOCK PART NUMBERS PAGE RHB-50	WEIGHTS PAGE RHB-372
----------------------------	-----------------------------------	---	-------------------------

RIGHT ANGLE HELICAL BEVEL (RHB)
NEMA C-Face - Flange Mounted (B5 / B14) - Clamp Collar / 3 Piece Coupled
Triple Reduction
Solid Output Shaft

SIZE: BF68

STANDARD SOLID OUTPUT SHAFT

Dimension - Inch/MM

ØU	tol.	UY	V	VO	KEY	M-TAP x DEPTH	EA
1.625	+0.0000 -0.0010	1.80	3.15	-	3/8 x 3/8 x 2-5/8	5/8-11 UNC x 1.42	6.69
40	+0.018 +0.002	43	80	5	12 x 8 x 70	M16 x 36	170

OPTIONAL SOLID OUTPUT SHAFT

Dimension - Inch/MM

ØU	tol.	UY	V	VO	KEY	M-TAP x DEPTH	EA
2.000	+0.0000 -0.0010	2.22	3.94	-	1/2 x 1/2 x 3-1/4	3/4-10 UNC x 1.65	7.48
50	+0.018 +0.002	54	100	10	14 x 9 x 80	M16 x 36	190

NEMA MOTOR ADAPTER - CLAMP COLLAR

Dimension - Inch

	C	ZC	YA	YB	YC
56C	15.44	3.29	0.47	0.20	0.67
140TC	16.11	3.96	0.47	0.20	0.67
180TC	17.69	5.54	0.73	0.22	0.91

NEMA MOTOR ADAPTER - 3 PIECE COUPLED

Dimension - Inch

	C	ZC	YA	YB	YC
56C	18.53	6.38	0.55	0.20	1.08
140TC	19.95	7.80	0.55	0.20	1.10
180TC	21.22	9.07	0.73	0.22	1.65

Refer to page Engineering-2 for Input Flange and Shaft details

NOMENCLATURE PAGE RHB-5	MOUNTING POSITIONS PAGE RHB-11	STOCK/NON-STOCK PART NUMBERS PAGE RHB-60	WEIGHTS PAGE RHB-372
----------------------------	-----------------------------------	---	-------------------------

DIMENSIONS



QUANTIS

QUANTIS GOLD

ILH

RHB

MSW

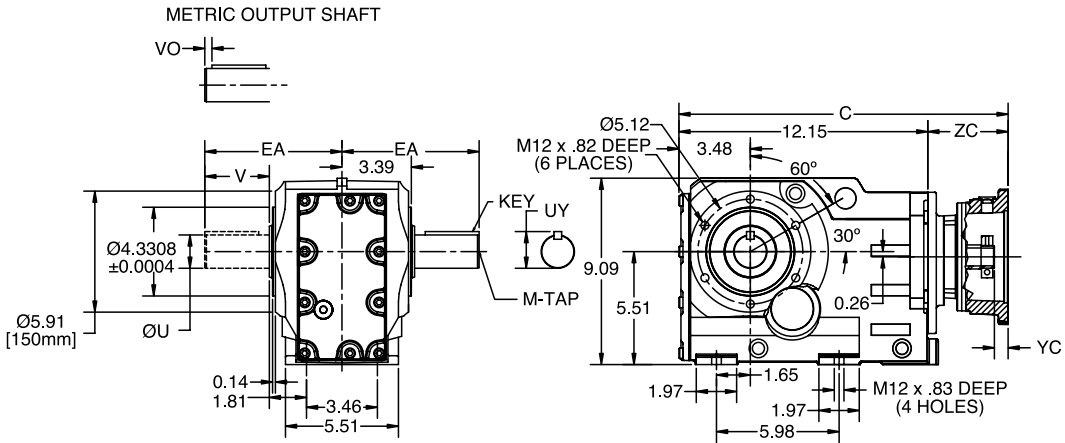
RIGHT ANGLE HELICAL BEVEL (RHB)

SIZE: BF68

IEC D Flange (B5 Input) - Flange Mounted (B5 / B14) - Clamp Collar / 3 Piece Coupled

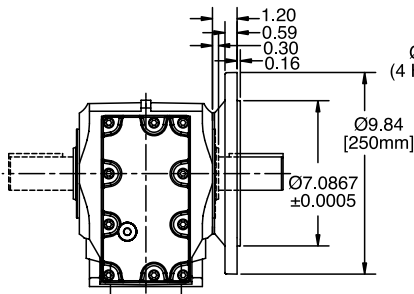
Triple Reduction

Solid Output Shaft

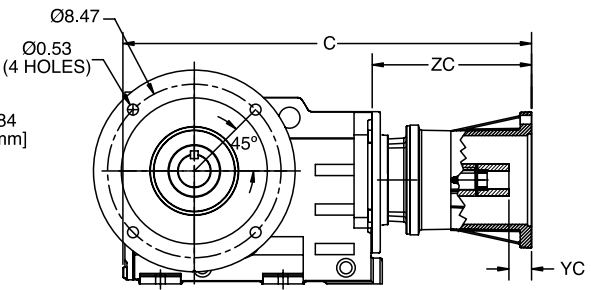


B14 OUTPUT FLANGE - Ø150mm

CLAMP COLLAR



B5 OUTPUT FLANGE - Ø250mm



THREE-PIECE COUPLED

NOMENCLATURE PAGE RHB-5	MOUNTING POSITIONS PAGE RHB-11	STOCK/NON-STOCK PART NUMBERS PAGE RHB-50	WEIGHTS PAGE RHB-372
----------------------------	-----------------------------------	---	-------------------------

RIGHT ANGLE HELICAL BEVEL (RHB) SIZE: BF68 IEC D Flange (B5 Input) - Flange Mounted (B5 / B14) - Clamp Collar / 3 Piece Coupled Triple Reduction Solid Output Shaft

STANDARD SOLID OUTPUT SHAFT Dimension - Inch/MM

ØU	tol.	UY	V	VO	KEY	M-TAP x DEPTH	EA
1.625	+0.0000 -0.0010	1.80	3.15	-	3/8 x 3/8 x 2-5/8	5/8-11 UNC x 1.42	6.69
40	+0.018 +0.002	43	80	5	12 x 8 x 70	M16 x 36	170

OPTIONAL SOLID OUTPUT SHAFT Dimension - Inch/MM

ØU	tol.	UY	V	VO	KEY	M-TAP x DEPTH	EA
2.000	+0.0000 -0.0010	2.22	3.94	-	1/2 x 1/2 x 3-1/4	3/4-10 UNC x 1.65	7.48
50	+0.018 +0.002	54	100	10	14 x 9 x 80	M16 x 36	190

IEC MOTOR ADAPTER - CLAMP COLLAR Dimension - Inch

	C	ZC	YC
71D	14.69	2.54	0.16
80D	15.63	3.48	0.61
90D	15.63	3.48	0.61
100D	15.93	3.78	0.28
112D	16.26	4.11	0.28

IEC MOTOR ADAPTER - 3 PIECE COUPLED Dimension - Inch

	C	ZC	YC
80D	19.87	7.72	0.59
90D	19.87	7.72	1.02
100D	20.75	8.60	1.18
112D	20.71	8.56	1.18

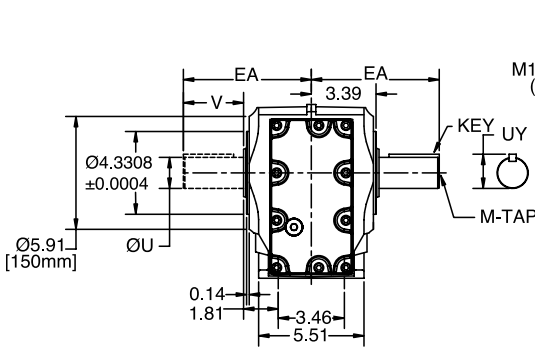
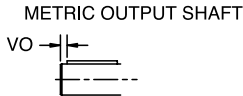
Refer to page Engineering-3 for Input Flange and Shaft details

DIMENSIONS

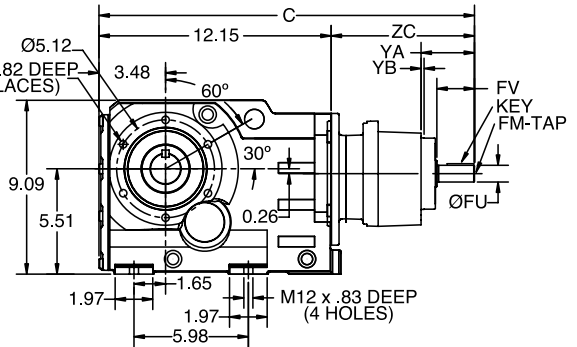


RIGHT ANGLE HELICAL BEVEL (RHB) Separate - Flange Mounted (B5 / B14) Triple Reduction Solid Output Shaft

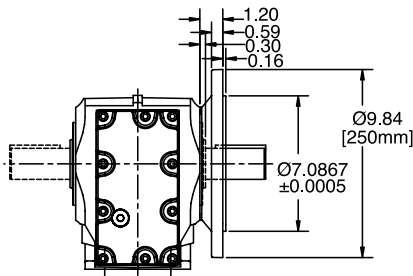
SIZE: BF68



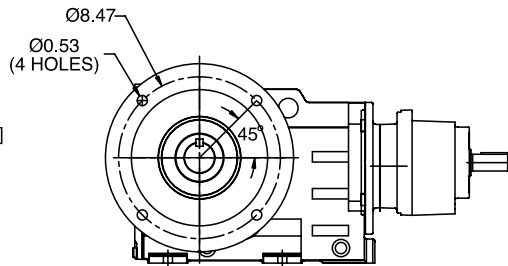
B14 OUTPUT FLANGE
Ø150mm



CLAMP COLLAR



B5 OUTPUT FLANGE
Ø250mm



THREE-PIECE COUPLED

NOMENCLATURE
PAGE RHB-5

MOUNTING POSITIONS
PAGE RHB-11

STOCK/NON-STOCK PART NUMBERS
PAGE RHB-50

WEIGHTS
PAGE RHB-372

DIMENSIONS



RIGHT ANGLE HELICAL BEVEL (RHB) Separate - Flange Mounted (B5 / B14) Triple Reduction Solid Output Shaft

SIZE: BF68

STANDARD SOLID OUTPUT SHAFT

Dimension - Inch/MM

ØU	tol.	UY	V	VO	KEY	M-TAP x DEPTH	EA
1.625	+0.0000 -0.0010	1.80	3.15	-	3/8 x 3/8 x 2-5/8	5/8-11 UNC x 1.42	6.69
40	+0.018 +0.002	43	80	5	12 x 8 x 70	M16 x 36	170

OPTIONAL SOLID OUTPUT SHAFT

Dimension - Inch/MM

ØU	tol.	UY	V	VO	KEY	M-TAP x DEPTH	EA
2.000	+0.0000 -0.0010	2.22	3.94	-	1/2 x 1/2 x 3-1/4	3/4-10 UNC x 1.65	7.48
50	+0.018 +0.002	54	100	10	14 x 9 x 80	M16 x 36	190

SEPARATE INPUT

Dimension - Inch/MM

	C	ZC	FO	FM x Depth	ØFU	tol.	FV	YA	YB	Key
71	17.90	5.75	---	8-32 UNC x 0.49	0.625	+0.0000 -0.0005	1.57	2.40	0.16	3/16 x 3/16 x 1-5/16
	454	146	4	M5 x 12.5	16	+0.012 +0.001	40			5 x 5 x 32
80	19.28	7.13	---	1/4 -20 UNC x 0.63	0.750	+0.0000 -0.0005	1.57	2.40	0.16	3/16 x 3/16 x 1-5/16
	489	181	4	M6 x 16	19	+0.015 +0.002	40			6 x 6 x 32
90	19.67	7.52	---	5/16-18 UNC x 0.75	0.875	+0.0000 -0.0005	1.97	2.80	0.16	3/16 x 3/16 x 1-5/8
	499	191	5	M8 x 19	24	+0.015 +0.002	50			8 x 7 x 40
100	20.30	8.15	---	3/8-16 UNC x 0.87	1.125	+0.0000 -0.0005	2.36	3.27	0.16	1/4 x 1/4 x 2
	515	207	5	M10 x 22	28	+0.015 +0.002	60			8 x 7 x 50
112	20.34	8.19	---	3/8-16 UNC x 0.87	1.250	+0.0000 -0.0005	2.36	3.27	0.16	1/4 x 1/4 x 2
	516	208	5	M10 x 22	28	+0.015 +0.002	60			8 x 7 x 50

Refer to page Engineering-4 for Input Flange and Shaft details.

NOMENCLATURE PAGE RHB-5	MOUNTING POSITIONS PAGE RHB-11	STOCK/NON-STOCK PART NUMBERS PAGE RHB-50	WEIGHTS PAGE RHB-372
----------------------------	-----------------------------------	---	-------------------------

RIGHT ANGLE HELICAL BEVEL (RHB) Integral Gearmotor - Flange Mounted (B5 / B14) Triple Reduction Solid Output Shaft

SIZE: BF68

QUANTIS

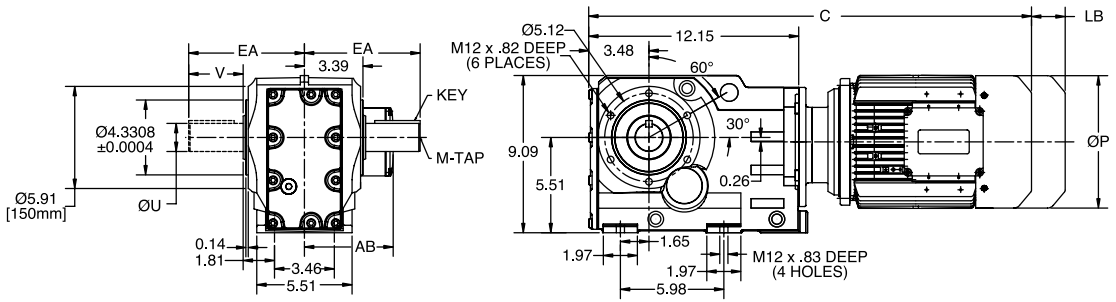
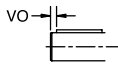
QUANTIS GOLD

ILH

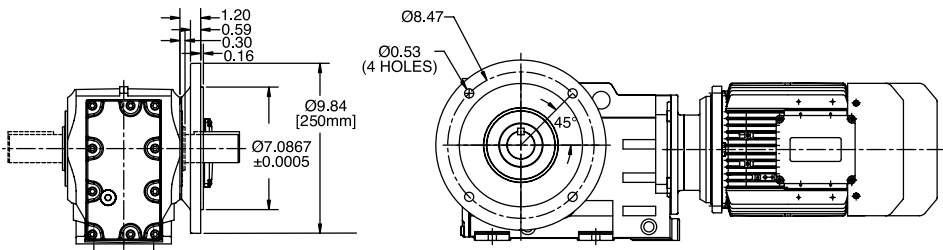
RHB

MSW

METRIC OUTPUT SHAFT



**B14 OUTPUT FLANGE -
Ø150mm**



**B5 OUTPUT FLANGE -
Ø250mm**

NOMENCLATURE PAGE RHB-5	MOUNTING POSITIONS PAGE RHB-11	STOCK/NON-STOCK PART NUMBERS PAGE RHB-50	WEIGHTS PAGE RHB-372
----------------------------	-----------------------------------	---	-------------------------

DIMENSIONS



RIGHT ANGLE HELICAL BEVEL (RHB) Integral Gearmotor - Flange Mounted (B5 / B14) Triple Reduction Solid Output Shaft

SIZE: BF68

STANDARD SOLID OUTPUT SHAFT

Dimension - Inch/MM

ØU	tol.	UY	V	VO	KEY	M-TAP x DEPTH	EA
1.625	+0.0000 -0.0010	1.80	3.15	-	3/8 x 3/8 x 2-5/8	5/8-11 UNC x 1.42	6.69
40	+0.018 +0.002	43	80	5	12 x 8 x 70	M16 x 36	170

OPTIONAL SOLID OUTPUT SHAFT

Dimension - Inch/MM

ØU	tol.	UY	V	VO	KEY	M-TAP x DEPTH	EA
2.000	+0.0000 -0.0010	2.22	3.94	-	1/2 x 1/2 x 3-1/4	3/4-10 UNC x 1.65	7.48
50	+0.018 +0.002	54	100	10	14 x 9 x 80	M16 x 36	190

MOTOR

Dimension - Inch/MM

Frame	C	LB	P	AB
71C4 / 71D4 / 71E4	22.47	1.81	6.19	5.18
	571	46	158	132
80F4	22.62	2.56	6.19	5.12
	575	65	158	131
80G4	24.12	2.56	6.19	5.12
	613	65	158	131
90H4	24.04	2.52	7.19	5.79
	611	64	183	148
90I4	24.93	2.52	7.19	5.79
	634	64	183	148
100J4	26.93	2.91	7.19	5.79
	685	74	183	148
112L4	28.66	2.91	8.6	6.88
	728	74	219	175

QUANTIS

QUANTIS GOLD

ILH

RHB

MSM

NOMENCLATURE PAGE RHB-5	MOUNTING POSITIONS PAGE RHB-11	STOCK/NON-STOCK PART NUMBERS PAGE RHB-50	WEIGHTS PAGE RHB-372
----------------------------	-----------------------------------	---	-------------------------

DIMENSIONS



QUANTIS

QUANTIS GOLD

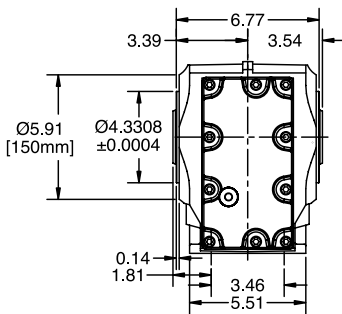
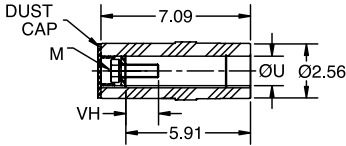
ILH

RHB

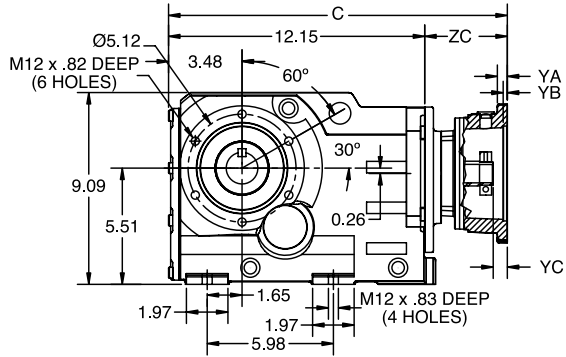
MSW

RIGHT ANGLE HELICAL BEVEL (RHB) NEMA C-Face - Flange Mounted (B5 / B14) - Clamp Collar / 3 Piece Coupled Triple Reduction Straight Hollow Bore Output Shaft

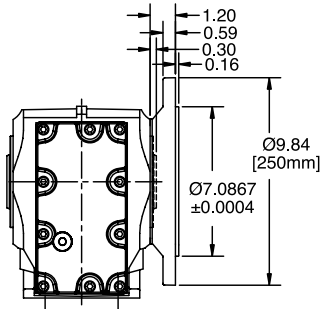
SIZE: BF68



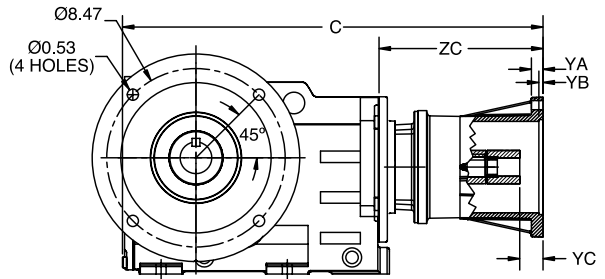
**B14 OUTPUT FLANGE -
Ø150mm**



CLAMP COLLAR



**B5 OUTPUT FLANGE -
Ø250mm**



THREE-PIECE COUPLED

NOMENCLATURE PAGE RHB-5	MOUNTING POSITIONS PAGE RHB-11	STOCK/NON-STOCK PART NUMBERS PAGE RHB-50	WEIGHTS PAGE RHB-372
----------------------------	-----------------------------------	---	-------------------------

RIGHT ANGLE HELICAL BEVEL (RHB)
NEMA C-Face - Flange Mounted (B5 / B14) - Clamp Collar / 3 Piece Coupled
Triple Reduction
Straight Hollow Bore Output Shaft

SIZE: BF68

STANDARD HOLLOW OUTPUT SHAFT

Dimension - Inch/MM

$\emptyset U$	tol.	UY	VH	KEY	M
1.500	+0.0010 +0.0004	1.68	2.05	3/8 x 3/8 x 3-1/8	5/8-11 x 2-1/4 UNC
40	+0.025 +0.009	43	48	12 x 8 x 50	M16 x 60

OPTIONAL HOLLOW OUTPUT SHAFT

Dimension - Inch/MM

$\emptyset U$	tol.	UY	VH	KEY	M
1.4375	+0.0010 +0.0004	1.62	1.98	3/8 x 3/8 x 3-3/8	3/8-16 x 2-1/4 UNC
45	+0.025 +0.009	49	47	14 x 9 x 70	M16 x 60

NEMA MOTOR ADAPTER - CLAMP COLLAR

Dimension - Inch

	C	ZC	YA	YB	YC
56C	15.44	3.29	0.47	0.20	0.67
140TC	16.11	3.96	0.47	0.20	0.67
180TC	17.69	5.54	0.73	0.22	0.91

NEMA MOTOR ADAPTER - 3 PIECE COUPLED

Dimension - Inch

	C	ZC	YA	YB	YC
56C	18.53	6.38	0.55	0.20	1.08
140TC	19.95	7.80	0.55	0.20	1.10
180TC	21.22	9.07	0.73	0.22	1.65

Refer to page Engineering-2 for Input Flange and Shaft details.
 Refer to page Engineering-8 and Engineering-9 for driven shaft dimensions.
 Refer to page RHB-352 for Twin Tapered Bushing details.

NOMENCLATURE PAGE RHB-5	MOUNTING POSITIONS PAGE RHB-11	STOCK/NON-STOCK PART NUMBERS PAGE RHB-50	WEIGHTS PAGE RHB-372
----------------------------	-----------------------------------	---	-------------------------

DIMENSIONS



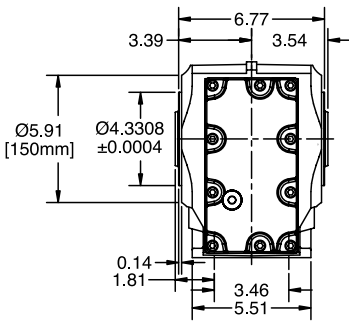
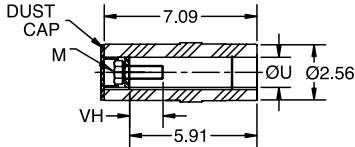
RIGHT ANGLE HELICAL BEVEL (RHB)

SIZE: BF68

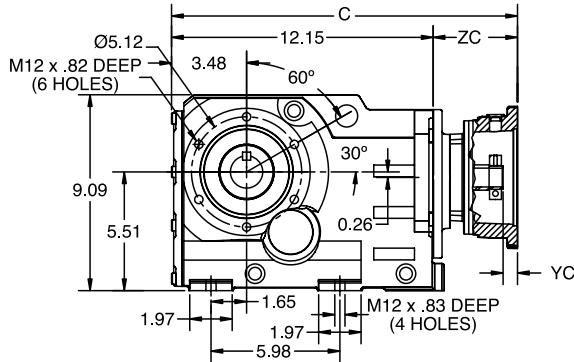
IEC D Flange (B5 Input) - Flange Mounted (B5 / B14) - Clamp Collar / 3 Piece Coupled

Triple Reduction

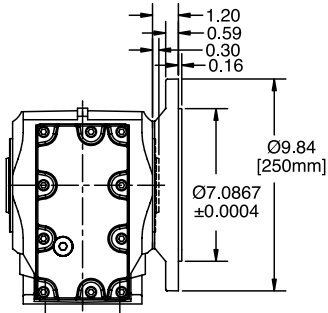
Straight Hollow Bore Output Shaft



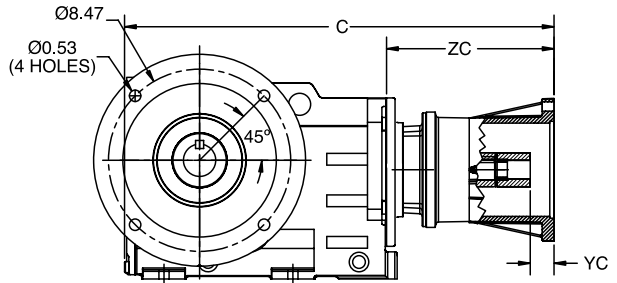
B14 OUTPUT FLANGE -
Ø150mm



CLAMP COLLAR



B5 OUTPUT FLANGE -
Ø250mm



THREE-PIECE COUPLED

NOMENCLATURE
PAGE RHB-5

MOUNTING POSITIONS
PAGE RHB-11

STOCK/NON-STOCK PART NUMBERS
PAGE RHB-50

WEIGHTS
PAGE RHB-372

DIMENSIONS



RIGHT ANGLE HELICAL BEVEL (RHB) SIZE: BF68 IEC D Flange (B5 Input) - Flange Mounted (B5 / B14) - Clamp Collar / 3 Piece Coupled Triple Reduction Straight Hollow Bore Output Shaft

STANDARD HOLLOW OUTPUT SHAFT Dimension - Inch/MM

ØU	tol.	UY	VH	KEY	M
1.500	+0.0010 +0.0004	1.68	2.05	3/8 x 3/8 x 3-1/8	5/8-11 x 2-1/4 UNC
40	+0.025 +0.009	43	48	12 x 8 x 50	M16 x 60

OPTIONAL HOLLOW OUTPUT SHAFT Dimension - Inch/MM

ØU	tol.	UY	VH	KEY	M
1.4375	+0.0010 +0.0004	1.62	1.98	3/8 x 3/8 x 3-3/8	3/8-16 x 2-1/4 UNC
45	+0.025 +0.009	49	47	14 x 9 x 70	M16 x 60

IEC MOTOR ADAPTER - CLAMP COLLAR Dimension - Inch

	C	ZC	YC
71D	14.69	2.54	0.16
80D	15.63	3.48	0.61
90D	15.63	3.48	0.61
100D	15.93	3.78	0.28
112D	16.26	4.11	0.28

IEC MOTOR ADAPTER - 3 PIECE COUPLED Dimension - Inch

	C	ZC	YC
80D	19.87	7.72	0.59
90D	19.87	7.72	1.02
100D	20.75	8.60	1.18
112D	20.71	8.56	1.18

Refer to page Engineering-3 for Input Flange and Shaft details.
 Refer to page Engineering-8 and Engineering-9 for driven shaft dimensions.
 Refer to page RHB-352 for Twin Tapered Bushing details.

NOMENCLATURE PAGE RHB-5	MOUNTING POSITIONS PAGE RHB-11	STOCK/NON-STOCK PART NUMBERS PAGE RHB-50	WEIGHTS PAGE RHB-372
----------------------------	-----------------------------------	---	-------------------------

DIMENSIONS



RIGHT ANGLE HELICAL BEVEL (RHB) Separate - Flange Mounted (B5 / B14) Triple Reduction Straight Hollow Bore Output Shaft

SIZE: BF68

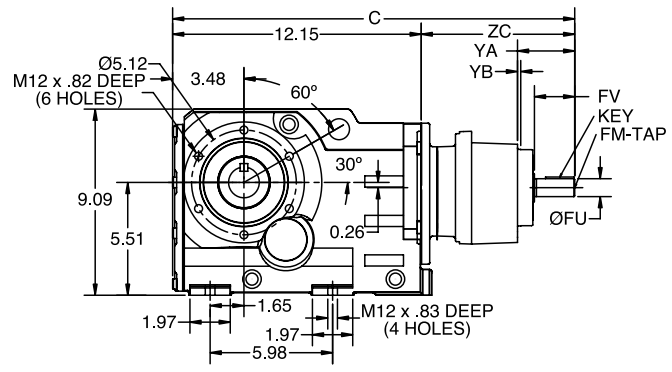
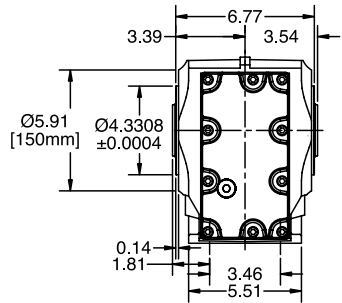
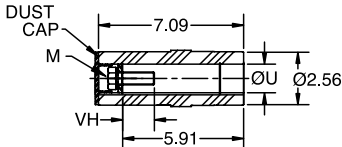
QUANTIS

QUANTIS GOLD

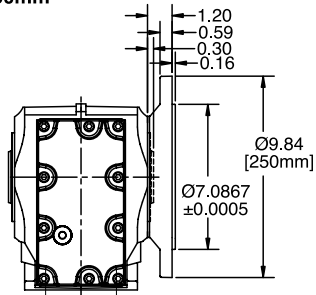
ILH

RHB

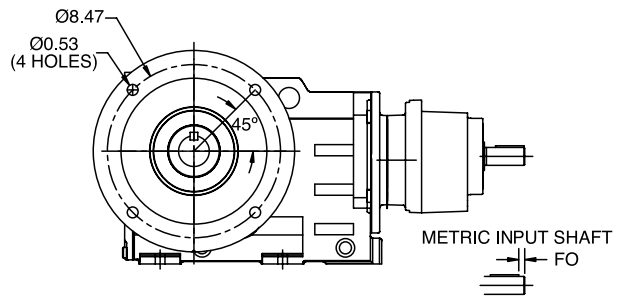
MSW



**B14 OUTPUT FLANGE -
Ø150mm**



**B5 OUTPUT FLANGE -
Ø250mm**



NOMENCLATURE PAGE RHB-5	MOUNTING POSITIONS PAGE RHB-11	STOCK/NON-STOCK PART NUMBERS PAGE RHB-50	WEIGHTS PAGE RHB-372
----------------------------	-----------------------------------	---	-------------------------

RIGHT ANGLE HELICAL BEVEL (RHB)

SIZE: BF68

Separate - Flange Mounted (B5 / B14)

Triple Reduction

Straight Hollow Bore Output Shaft

STANDARD HOLLOW OUTPUT SHAFT

Dimension - Inch/MM

ØU	tol.	UY	VH	KEY	M
1.500	+0.0010 +0.0004	1.68	2.05	3/8 x 3/8 x 3-1/8	5/8-11 x 2-1/4 UNC
40	+0.025 +0.009	43	48	12 x 8 x 50	M16 x 60

OPTIONAL HOLLOW OUTPUT SHAFT

Dimension - Inch/MM

ØU	tol.	UY	VH	KEY	M
1.4375	+0.0010 +0.0004	1.62	1.98	3/8 x 3/8 x 3-3/8	3/8-16 x 2-1/4 UNC
45	+0.025 +0.009	49	47	14 x 9 x 70	M16 x 60

SEPARATE INPUT

Dimension - Inch/MM

	C	ZC	FO	FM x Depth	ØFU	tol.	FV	YA	YB	Key
71	17.90	5.75	---	8-32 UNC x 0.49	0.625	+0.0000 -0.0005	1.57	2.40	0.16	3/16 x 3/16 x 1-5/16
	454	146	4	M5 x 12.5	16	+0.012 +0.001	40			5 x 5 x 32
80	19.28	7.13	---	1/4 -20 UNC x 0.63	0.750	+0.0000 -0.0005	1.57	2.40	0.16	3/16 x 3/16 x 1-5/16
	489	181	4	M6 x 16	19	+0.015 +0.002	40			6 x 6 x 32
90	19.67	7.52	---	5/16-18 UNC x 0.75	0.875	+0.0000 -0.0005	1.97	2.80	0.16	3/16 x 3/16 x 1-5/8
	499	191	5	M8 x 19	24	+0.015 +0.002	50			8 x 7 x 40
100	20.30	8.15	---	3/8-16 UNC x 0.87	1.125	+0.0000 -0.0005	2.36	3.27	0.16	1/4 x 1/4 x 2
	515	207	5	M10 x 22	28	+0.015 +0.002	60			8 x 7 x 50
112	20.34	8.19	---	3/8-16 UNC x 0.87	1.250	+0.0000 -0.0005	2.36	3.27	0.16	1/4 x 1/4 x 2
	516	208	5	M10 x 22	28	+0.015 +0.002	60			8 x 7 x 50

Refer to page Engineering-4 for Input Flange and Shaft details.

Refer to page Engineering-8 and Engineering-9 for driven shaft dimensions.

Refer to page RHB-352 for Twin Tapered Bushing details.

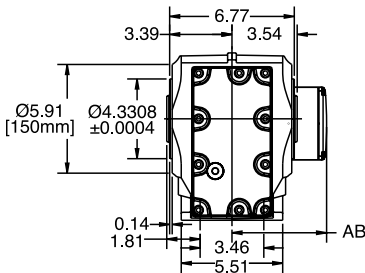
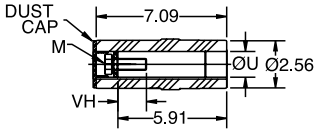
NOMENCLATURE PAGE RHB-5	MOUNTING POSITIONS PAGE RHB-11	STOCK/NON-STOCK PART NUMBERS PAGE RHB-50	WEIGHTS PAGE RHB-372
----------------------------	-----------------------------------	---	-------------------------

DIMENSIONS

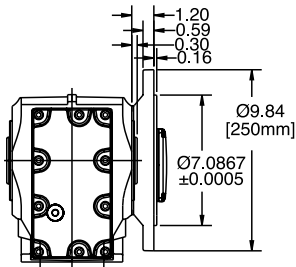
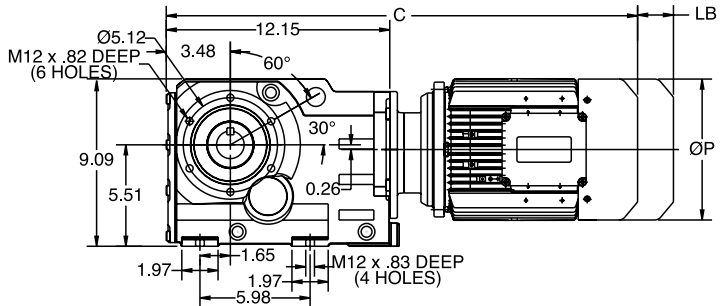


RIGHT ANGLE HELICAL BEVEL (RHB) Integral Gearmotor - Flange Mounted (B5 / B14) Triple Reduction Straight Hollow Bore Output Shaft

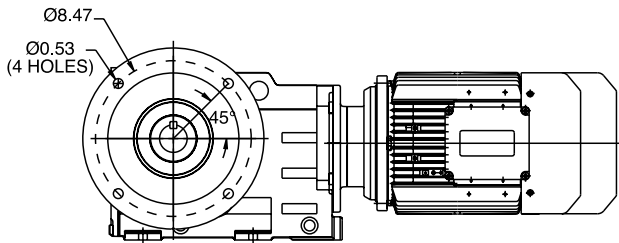
SIZE: BF68



**B14 OUTPUT FLANGE -
Ø150mm**



**B5 OUTPUT FLANGE -
Ø250mm**



NOMENCLATURE
PAGE RHB-5

MOUNTING POSITIONS
PAGE RHB-11

STOCK/NON-STOCK PART NUMBERS
PAGE RHB-50

WEIGHTS
PAGE RHB-372

DIMENSIONS



RIGHT ANGLE HELICAL BEVEL (RHB) Integral Gearmotor - Flange Mounted (B5 / B14) Triple Reduction Straight Hollow Bore Output Shaft

SIZE: BF68

QUANTIS

QUANTIS GOLD

ILH

RHB

MSM

STANDARD HOLLOW OUTPUT SHAFT

Dimension - Inch/MM

ØU	tol.	UY	VH	KEY	M
1.500	+0.0010 +0.0004	1.68	2.02	3/8 x 3/8 x 3-1/8	5/8-11 x 2-1/4 UNC
40	+0.025 +0.009	43	51	12 x 8 x 50	M16 x 60

OPTIONAL HOLLOW OUTPUT SHAFT

Dimension - Inch/MM

ØU	tol.	UY	VH	KEY	M
1.4375	+0.0010 +0.0004	1.62	1.98	3/8 x 3/8 x 3-3/8	3/8-16 x 2-1/4 UNC
45	+0.025 +0.009	49	50	14 x 9 x 70	M16 x 60

MOTOR

Dimension - Inch/MM

Frame	C	LB	P	AB
71C4 / 71D4 / 71E4	22.47	1.81	6.19	5.18
	571	46	158	132
80F4	22.62	2.56	6.19	5.12
	575	65	158	131
80G4	24.12	2.56	6.19	5.12
	613	65	158	131
90H4	24.04	2.52	7.19	5.79
	611	64	183	148
90I4	24.93	2.52	7.19	5.79
	634	64	183	148
100J4	26.93	2.91	7.19	5.79
	685	74	183	148
112L4	28.66	2.91	8.6	6.88
	728	74	219	175

Refer to page Engineering-8 and Engineering-9 for driven shaft dimensions.
Refer to page RHB-352 for Twin Tapered Bushing details.

NOMENCLATURE PAGE RHB-5	MOUNTING POSITIONS PAGE RHB-11	STOCK/NON-STOCK PART NUMBERS PAGE RHB-50	WEIGHTS PAGE RHB-372
----------------------------	-----------------------------------	---	-------------------------

DIMENSIONS



QUANTIS

QUANTIS GOLD

ILH

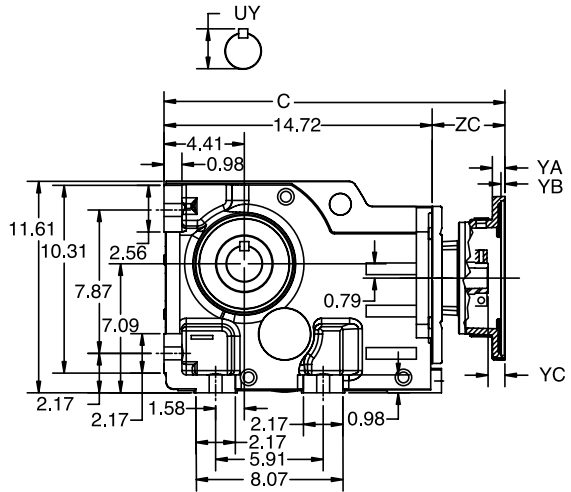
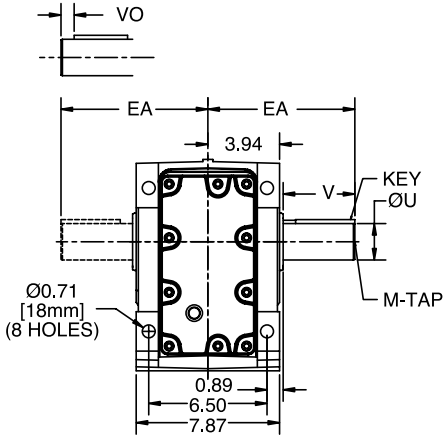
RHB

MSW

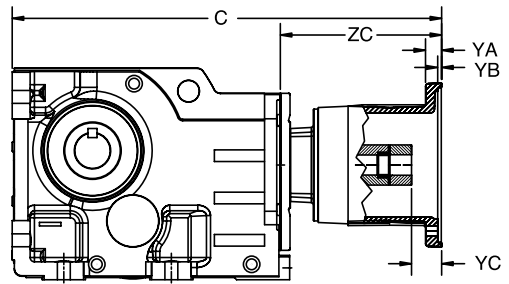
RIGHT ANGLE HELICAL BEVEL (RHB) NEMA C-Face - Foot Mounted - Clamp Collar / 3 Piece Coupled Triple Reduction Solid Output Shaft

SIZE: BB88

METRIC OUTPUT SHAFT



CLAMP COLLAR



THREE-PIECE COUPLED

NOMENCLATURE PAGE RHB-5	MOUNTING POSITIONS PAGE RHB-11	STOCK/NON-STOCK PART NUMBERS PAGE RHB-50	WEIGHTS PAGE RHB-372
----------------------------	-----------------------------------	---	-------------------------

DIMENSIONS



RIGHT ANGLE HELICAL BEVEL (RHB) NEMA C-Face - Foot Mounted - Clamp Collar / 3 Piece Coupled Triple Reduction Solid Output Shaft

SIZE: BB88

STANDARD SOLID OUTPUT SHAFT

Dimension - Inch/MM

ØU	tol.	UY	V	VO	KEY	M-TAP x DEPTH	EA
2.000	+0.000 -0.0010	2.22	3.94	-	1/2 x 1/2 x 3-1/4	3/4-10 UNC x 1.65	8.07
50	+0.030 +0.011	54	100	10	14 x 9 x 80	M16 x 36	205

OPTIONAL SOLID OUTPUT SHAFT

Dimension - Inch/MM

ØU	tol.	UY	V	VO	KEY	M-TAP x DEPTH	EA
2.750	+0.000 -0.0010	3.03	5.51	-	5/8 x 5/8 x 4-9/16	3/4-10 UNC x 1.65	9.65
70	+0.030 +0.011	75	140	15	20 x 12 x 110	M20 x 42	245

NEMA MOTOR ADAPTER - CLAMP COLLAR

Dimension - Inch

	C	ZC	YA	YB	YC
56C	17.80	3.08	0.47	0.20	0.67
140TC	18.46	3.74	0.47	0.20	0.67
180TC	19.96	5.24	0.73	0.22	0.91
210TC	21.85	7.13	0.69	0.22	0.89

NEMA MOTOR ADAPTER - 3 PIECE COUPLED

Dimension - Inch

	C	ZC	YA	YB	YC
56C	20.87	6.15	0.55	0.20	1.08
140TC	22.28	7.56	0.55	0.20	1.10
180TC	23.48	8.76	0.73	0.22	1.65
210TC	25.63	10.91	0.87	0.22	2.01

Refer to page Engineering-2 for Input Flange and Shaft details.

NOMENCLATURE PAGE RHB-5	MOUNTING POSITIONS PAGE RHB-11	STOCK/NON-STOCK PART NUMBERS PAGE RHB-50	WEIGHTS PAGE RHB-372
----------------------------	-----------------------------------	---	-------------------------

DIMENSIONS



QUANTIS

QUANTIS GOLD

ILH

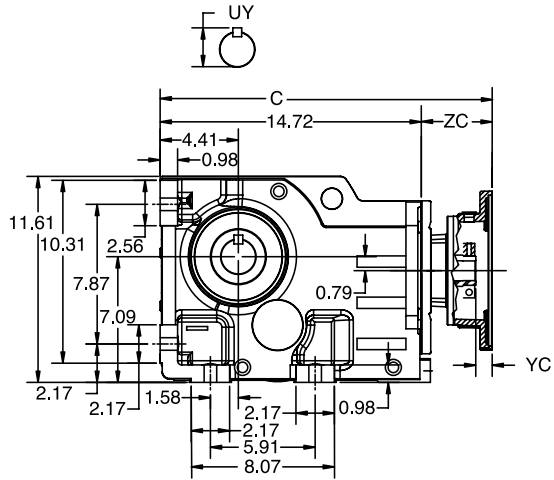
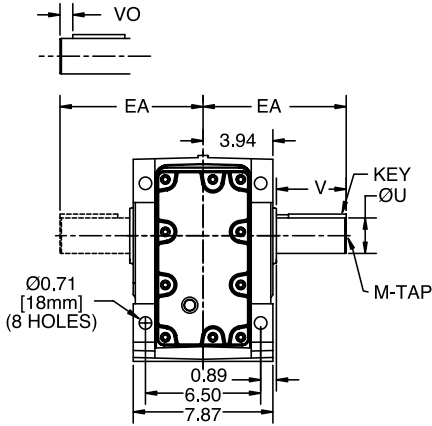
RHB

MSW

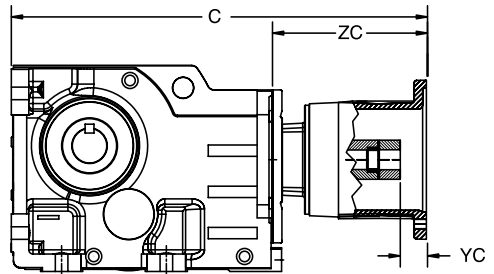
RIGHT ANGLE HELICAL BEVEL (RHB) IEC D Flange (B5 Flange) - Foot Mounted - Clamp Collar / 3 Piece Coupled Triple Reduction Solid Output Shaft

SIZE: BB88

METRIC OUTPUT SHAFT



CLAMP COLLAR



THREE-PIECE COUPLED

NOMENCLATURE PAGE RHB-5	MOUNTING POSITIONS PAGE RHB-11	STOCK/NON-STOCK PART NUMBERS PAGE RHB-50	WEIGHTS PAGE RHB-372
----------------------------	-----------------------------------	---	-------------------------

DIMENSIONS



RIGHT ANGLE HELICAL BEVEL (RHB) IEC D Flange (B5 Flange) - Clamp Collar / 3 Piece Coupled Triple Reduction Solid Output Shaft

SIZE: BB88

STANDARD SOLID OUTPUT SHAFT

Dimension - Inch/MM

ØU	tol.	UY	V	VO	KEY	M-TAP x DEPTH	EA
2.000	+0.000 -0.0010	2.22	3.94	-	1/2 x 1/2 x 3-1/4	3/4-10 UNC x 1.65	8.07
50	+0.030 +0.011	54	100	10	14 x 9 x 80	M16 x 36	205

OPTIONAL SOLID OUTPUT SHAFT

Dimension - Inch/MM

ØU	tol.	UY	V	VO	KEY	M-TAP x DEPTH	EA
2.750	+0.000 -0.0010	3.03	5.51	-	5/8 x 5/8 x 4-9/16	3/4-10 UNC x 1.65	9.65
70	+0.030 +0.011	75	140	15	20 x 12 x 110	M20 x 42	245

IEC MOTOR ADAPTER - CLAMP COLLAR

Dimension - Inch

	C	ZC	YC
71D	17.03	2.31	0.16
80D	17.97	3.25	0.61
90D	17.97	3.25	0.61
100D	18.27	3.55	0.28
112D	18.52	3.80	0.28
132D	20.14	5.42	0.87

IEC MOTOR ADAPTER - 3 PIECE COUPLED

Dimension - Inch

	C	ZC	YC
80D	22.20	7.48	0.59
90D	22.20	7.48	1.02
100D	23.09	8.37	1.18
112D	22.97	8.25	1.18
132D	25.39	10.67	1.77

Refer to page Engineering-3 for Input Flange and Shaft details.

NOMENCLATURE PAGE RHB-5	MOUNTING POSITIONS PAGE RHB-11	STOCK/NON-STOCK PART NUMBERS PAGE RHB-50	WEIGHTS PAGE RHB-372
----------------------------	-----------------------------------	---	-------------------------

DIMENSIONS



RIGHT ANGLE HELICAL BEVEL (RHB)

SIZE: BB88

Separate - Foot Mounted
Triple Reduction
Solid Output Shaft

QUANTIS

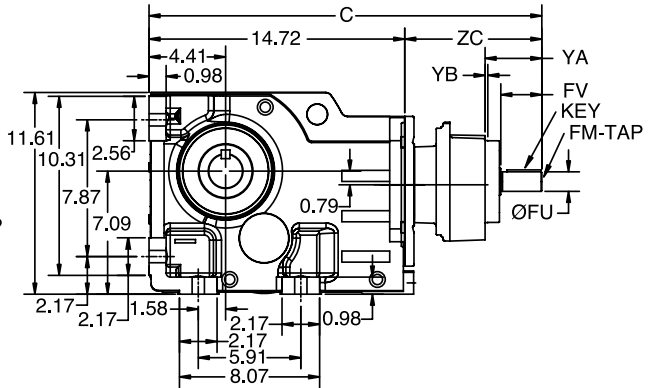
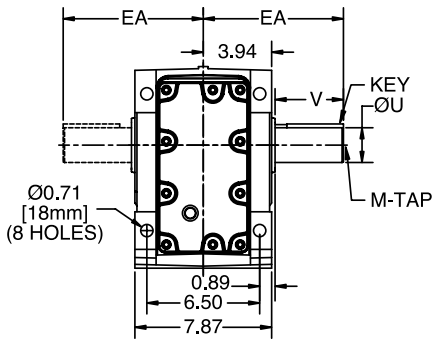
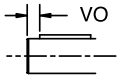
QUANTIS GOLD

ILH

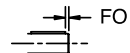
RHB

MSW

METRIC OUTPUT SHAFT



METRIC INPUT SHAFT



NOMENCLATURE PAGE RHB-5	MOUNTING POSITIONS PAGE RHB-11	STOCK/NON-STOCK PART NUMBERS PAGE RHB-50	WEIGHTS PAGE RHB-372
----------------------------	-----------------------------------	---	-------------------------

RIGHT ANGLE HELICAL BEVEL (RHB)

SIZE: BB88

Separate - Foot Mounted
Triple Reduction
Solid Output Shaft

STANDARD SOLID OUTPUT SHAFT

Dimension - Inch/MM

ØU	tol.	UY	V	VO	KEY	M-TAP x DEPTH	EA
2.000	+0.000 -0.0010	2.22	3.94	-	1/2 x 1/2 x 3-1/4	3/4-10 UNC x 1.65	8.07
50	+0.030 +0.011	54	100	10	14 x 9 x 80	M16 x 36	205

OPTIONAL SOLID OUTPUT SHAFT

Dimension - Inch/MM

ØU	tol.	UY	V	VO	KEY	M-TAP x DEPTH	EA
2.750	+0.000 -0.0010	3.03	5.51	-	5/8 x 5/8 x 4-9/16	3/4-10 UNC x 1.65	9.65
70	+0.030 +0.011	75	140	15	20 x 12 x 110	M20 x 42	245

SEPARATE INPUT

Dimension - Inch/MM

	C	BC	ZC	FO	FM x Depth	ØFU	tol.	FV	YA	YB	Key
71	20.24	11.50	5.52	---	8-32 UNC x 0.49	0.625	0.000 -0.001	1.57	2.40	0.16	3/16 x 3/16 x 1-5/16
	514	292	140	4	M5 x 12.5	16	0.012 0.001	40			5 x 5 x 32
80	21.61	12.87	6.89	---	1/4 -20 UNC x 0.63	0.750	0.000 -0.001	1.57	2.40	0.16	3/16 x 3/16 x 1-5/16
	549	327	175	4	M6 x 16	19	0.015 0.002	40			6 x 6 x 32
90	22.01	13.27	7.29	---	5/16-18 UNC x 0.75	0.875	0.000 -0.001	1.97	2.80	0.16	3/16 x 3/16 x 1-5/8
	559	337	185	5	M8 x 19	24	0.015 0.002	50			8 x 7 x 40
100	22.64	13.90	7.92	---	3/8-16 UNC x 0.87	1.125	0.000 -0.001	2.36	3.27	0.16	1/4 x 1/4 x 2
	575	353	201	5	M10 x 22	28	0.015 0.002	60			8 x 7 x 50
112	22.60	13.86	7.88	---	3/8-16 UNC x 0.87	1.250	0.000 -0.001	2.36	3.27	0.16	1/4 x 1/4 x 2
	574	352	200	5	M10 x 22	28	0.015 0.002	60			8 x 7 x 50
132	25.91	17.17	11.19	---	3/8-16 UNC x 0.87	1.375	0.000 -0.001	3.15	6.61	0.14	5/16 x 5/16 x 2-3/4
	658	436	284	5	M12 x 28	38	0.018 0.002	80			10 x 8 x 70

Refer to page Engineering-3 for Input Shaft and Flange details.

NOMENCLATURE PAGE RHB-5	MOUNTING POSITIONS PAGE RHB-11	STOCK/NON-STOCK PART NUMBERS PAGE RHB-50	WEIGHTS PAGE RHB-372
----------------------------	-----------------------------------	---	-------------------------

DIMENSIONS



QUANTIS

QUANTIS GOLD

ILH

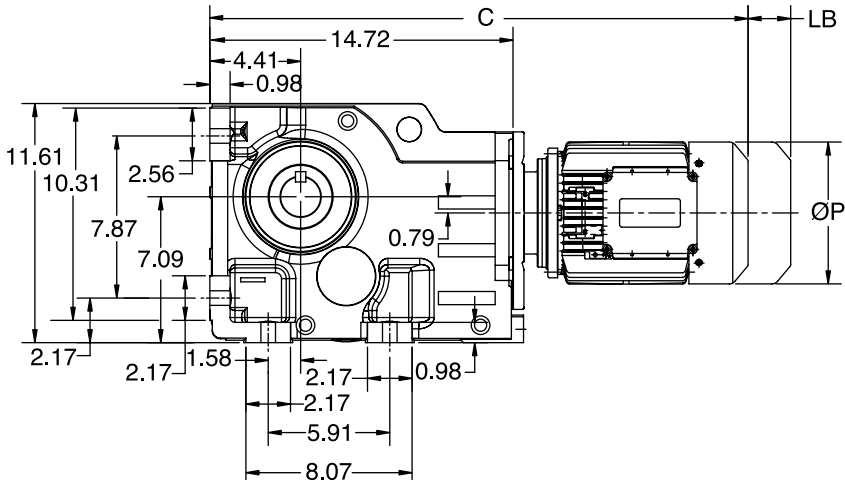
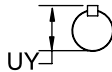
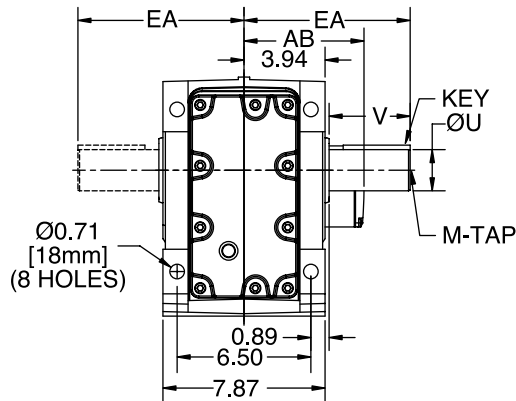
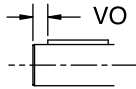
RHB

MSW

RIGHT ANGLE HELICAL BEVEL (RHB) Integral Gearmotor - Foot Mounted Triple Reduction Solid Output Shaft

SIZE: BB88

METRIC OUTPUT SHAFT



NOMENCLATURE PAGE RHB-5	MOUNTING POSITIONS PAGE RHB-11	STOCK/NON-STOCK PART NUMBERS PAGE RHB-50	WEIGHTS PAGE RHB-372
----------------------------	-----------------------------------	---	-------------------------

DIMENSIONS



RIGHT ANGLE HELICAL BEVEL (RHB)

SIZE: BB88

Integral Gearmotor - Foot Mounted

Triple Reduction

Solid Output Shaft

STANDARD SOLID OUTPUT SHAFT

Dimension - Inch/MM

ØU	tol.	UY	V	VO	KEY	M-TAP x DEPTH	EA
2.000	+0.000 -0.0010	2.22	3.94	-	1/2 x 1/2 x 3-1/4	3/4-10 UNC x 1.65	8.07
50	+0.018 +0.002	54	100	10	14 x 9 x 80	M16 x 36	205

OPTIONAL SOLID OUTPUT SHAFT

Dimension - Inch/MM

ØU	tol.	UY	V	VO	KEY	M-TAP x DEPTH	EA
2.750	+0.000 -0.0010	3.03	5.51	-	5/8 x 5/8 x 4-9/16	3/4-10 UNC x 1.65	9.65
70	+0.030 +0.011	75	140	15	20 x 12 x 110	M20 x 42	245

MOTOR

Dimension - Inch/MM

Frame	C	LB	P	AB
71C4 / 71D4 / 71E4	24.82	1.81	6.19	5.18
	631	46	158	132
80F4	24.96	2.56	6.19	5.12
	634	65	158	131
80G4	26.46	2.56	6.19	5.12
	673	65	158	131
90H4	26.39	2.52	7.19	5.79
	671	64	183	148
90I4	27.27	2.52	7.19	5.79
	693	64	183	148
100J4	29.27	2.91	7.19	5.79
	744	74	183	148
112L4	30.92	2.91	8.6	6.88
	786	74	219	175
132M4	32.48	3.9	10.28	8.09
	825	99	262	206
132N4	33.98	3.9	10.28	8.09
	864	99	262	206

NOMENCLATURE
PAGE RHB-5

MOUNTING POSITIONS
PAGE RHB-11

STOCK/NON-STOCK PART NUMBERS
PAGE RHB-50

WEIGHTS
PAGE RHB-372

DIMENSIONS



RIGHT ANGLE HELICAL BEVEL (RHB) NEMA C-Face - Foot Mounted - Clamp Collar / 3 Piece Coupled Triple Reduction Straight Hollow Bore Output Shaft

SIZE: BB88

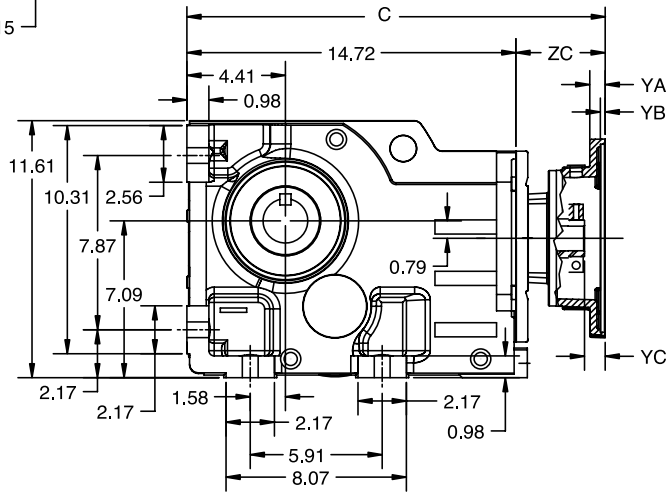
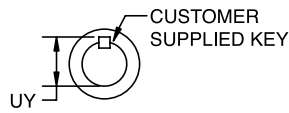
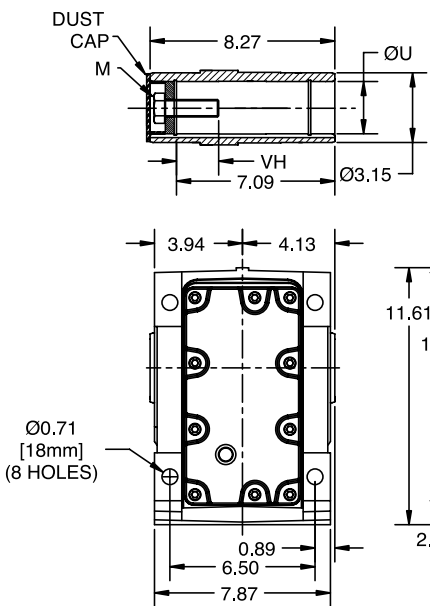
QUANTIS

QUANTIS GOLD

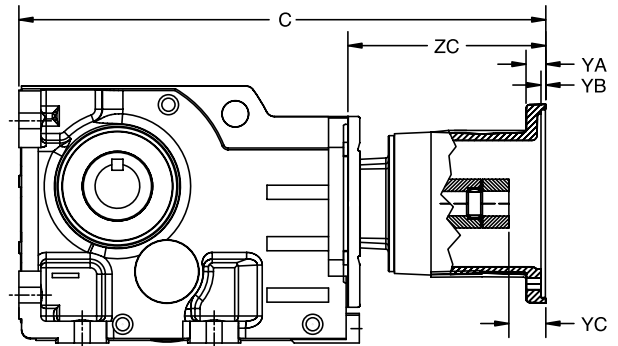
ILH

RHB

MSW



CLAMP COLLAR



THREE-PIECE COUPLED

NOMENCLATURE PAGE RHB-5	MOUNTING POSITIONS PAGE RHB-11	STOCK/NON-STOCK PART NUMBERS PAGE RHB-50	WEIGHTS PAGE RHB-372
----------------------------	-----------------------------------	---	-------------------------

DIMENSIONS



RIGHT ANGLE HELICAL BEVEL (RHB) NEMA C-Face - Foot Mounted - Clamp Collar / 3 Piece Coupled Triple Reduction Straight Hollow Bore Output Shaft

SIZE: BB88

STANDARD HOLLOW OUTPUT SHAFT

Dimension - Inch/MM

ØU	tol.	UY	VH	KEY	M
2.000	+0.0012 +0.0004	2.23	1.89	1/2 x 1/2 x 3-5/16	3/4-10 x 2-1/4 UNC
50	+0.029 +0.010	54	48	14 x 9 x 80	M16 x 60

OPTIONAL HOLLOW OUTPUT SHAFT

Dimension - Inch/MM

ØU	tol.	UY	VH	KEY	M
1.9375	+0.0012 +0.0004	2.17	1.89	1/2 x 1/2 x 3-7/16	5/8-11 x 2-1/4 UNC
60	+0.029 +0.010	64	58	18 x 11 x 100	M20 x 70

NEMA MOTOR ADAPTER - CLAMP COLLAR

Dimension - Inch

	C	ZC	YA	YB	YC
56C	17.80	3.08	0.47	0.20	0.67
140TC	18.46	3.74	0.47	0.20	0.67
180TC	19.96	5.24	0.73	0.22	0.91
210TC	21.85	7.13	0.69	0.22	0.89

NEMA MOTOR ADAPTER - 3 PIECE COUPLED

Dimension - Inch

	C	ZC	YA	YB	YC
56C	20.87	6.15	0.55	0.20	1.08
140TC	22.28	7.56	0.55	0.20	1.10
180TC	23.48	8.76	0.73	0.22	1.65
210TC	25.63	10.91	0.87	0.22	2.01

Refer to page Engineering-2 for Input Flange and Shaft details.
Refer to page Engineering-8 and Engineering-9 for driven shaft dimensions.
Refer to page RHB-353 for Twin Tapered Bushing details.

NOMENCLATURE PAGE RHB-5	MOUNTING POSITIONS PAGE RHB-11	STOCK/NON-STOCK PART NUMBERS PAGE RHB-50	WEIGHTS PAGE RHB-372
----------------------------	-----------------------------------	---	-------------------------

DIMENSIONS



QUANTIS

QUANTIS GOLD

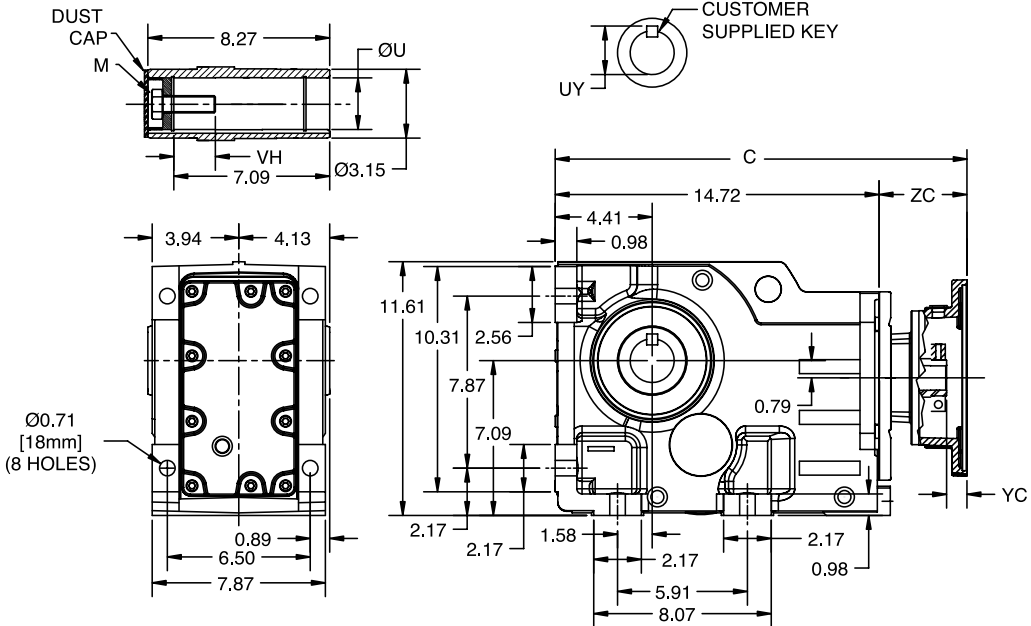
ILH

RHB

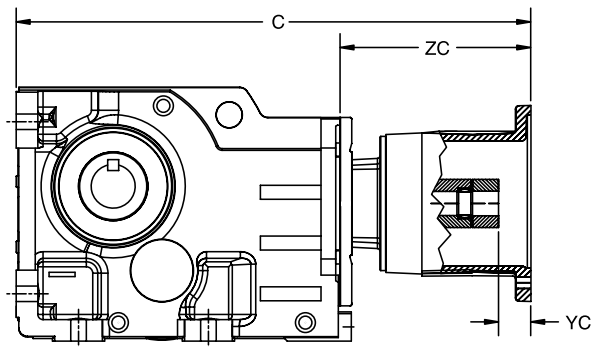
MSW

RIGHT ANGLE HELICAL BEVEL (RHB) IEC D Flange (B5 Input) - Foot Mounted - Clamp Collar / 3 Piece Coupled Triple Reduction Straight Hollow Bore Output Shaft

SIZE: BB88



CLAMP COLLAR



THREE-PIECE COUPLED

NOMENCLATURE PAGE RHB-5	MOUNTING POSITIONS PAGE RHB-11	STOCK/NON-STOCK PART NUMBERS PAGE RHB-50	WEIGHTS PAGE RHB-372
----------------------------	-----------------------------------	---	-------------------------

DIMENSIONS



RIGHT ANGLE HELICAL BEVEL (RHB) IEC D Flange (B5 Input) - Foot Mounted - Clamp Collar / 3 Piece Coupled Triple Reduction Straight Hollow Bore Output Shaft

SIZE: BB88

STANDARD HOLLOW OUTPUT SHAFT

Dimension - Inch/MM

ØU	tol.	UY	VH	KEY	M
2.000	+0.0012 +0.0004	2.23	1.89	1/2 x 1/2 x 3-5/16	3/4-10 x 2-1/4 UNC
50	+0.029 +0.010	54	48	14 x 9 x 80	M16 x 60

OPTIONAL HOLLOW OUTPUT SHAFT

Dimension - Inch/MM

ØU	tol.	UY	VH	KEY	M
1.9375	+0.0012 +0.0004	2.17	1.89	1/2 x 1/2 x 3-7/16	5/8-11 x 2-1/4 UNC
60	+0.029 +0.010	64	58	18 x 11 x 100	M20 x 70

IEC MOTOR ADAPTER - CLAMP COLLAR

Dimension - Inch

	C	ZC	YC
71D	17.03	2.31	0.16
80D	17.97	3.25	0.61
90D	17.97	3.25	0.61
100D	18.27	3.55	0.28
112D	18.52	3.80	0.28
132D	20.14	5.42	0.87

IEC MOTOR ADAPTER - 3 PIECE COUPLED

Dimension - Inch

	C	ZC	YC
80D	22.20	7.48	0.59
90D	22.20	7.48	1.02
100D	23.09	8.37	1.18
112D	22.97	8.25	1.18
132D	25.39	10.67	1.77

Refer to page Engineering-3 for Input Flange and Shaft details.
Refer to page Engineering-8 and Engineering-9 for driven shaft dimensions.
Refer to page RHB-353 for Twin Tapered Bushing details.

NOMENCLATURE PAGE RHB-5	MOUNTING POSITIONS PAGE RHB-11	STOCK/NON-STOCK PART NUMBERS PAGE RHB-50	WEIGHTS PAGE RHB-372
----------------------------	-----------------------------------	---	-------------------------

DIMENSIONS



RIGHT ANGLE HELICAL BEVEL (RHB)

SIZE: BB88

Separate - Foot Mounted
Triple Reduction
Straight Hollow Bore Output Shaft

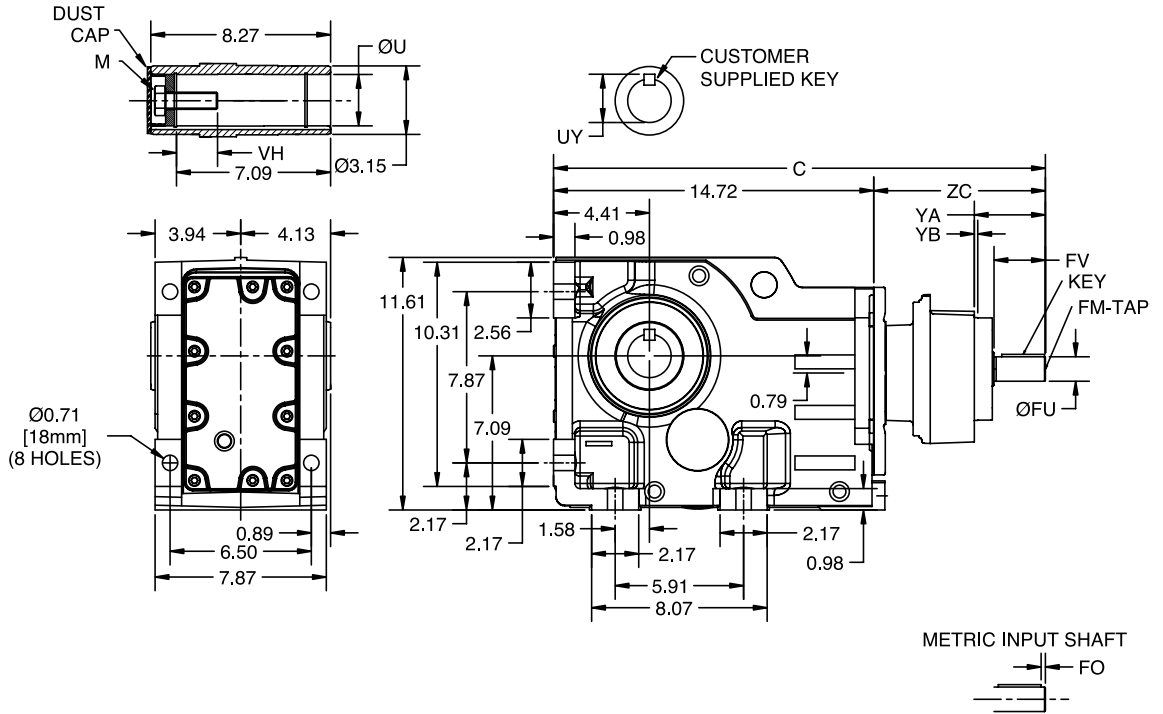
QUANTIS

QUANTIS GOLD

ILH

RHB

MSW



NOMENCLATURE PAGE RHB-5	MOUNTING POSITIONS PAGE RHB-11	STOCK/NON-STOCK PART NUMBERS PAGE RHB-50	WEIGHTS PAGE RHB-372
----------------------------	-----------------------------------	---	-------------------------

RIGHT ANGLE HELICAL BEVEL (RHB)

SIZE: BB88

Separate - Foot Mounted
Triple Reduction
Straight Hollow Bore Output Shaft

STANDARD HOLLOW OUTPUT SHAFT

Dimension - Inch/MM

ØU	tol.	UY	VH	KEY	M
2.000	+0.0012 +0.0004	2.23	1.89	1/2 x 1/2 x 3-5/16	3/4-10 x 2-1/4 UNC
50	+0.029 +0.010	54	48	14 x 9 x 80	M16 x 60

OPTIONAL HOLLOW OUTPUT SHAFT

Dimension - Inch/MM

ØU	tol.	UY	VH	KEY	M
1.9375	+0.0012 +0.0004	2.17	1.89	1/2 x 1/2 x 3-7/16	5/8-11 x 2-1/4 UNC
60	+0.029 +0.010	64	58	18 x 11 x 100	M20 x 70

SEPARATE INPUT

Dimension - Inch/MM

	C	ZC	FO	FM x Depth	ØFU	tol.	FV	YA	YB	Key
71	20.24	5.52	---	8-32 UNC x 0.49	0.625	+0.0000 -0.0005	1.57	2.40	0.16	3/16 x 3/16 x 1-5/16
	514	140	4	M5 x 12.5	16	+0.012 +0.001	40			5 x 5 x 32
80	21.61	6.89	---	1/4 -20 UNC x 0.63	0.750	+0.0000 -0.0005	1.57	2.40	0.16	3/16 x 3/16 x 1-5/16
	549	175	4	M6 x 16	19	+0.015 +0.002	40			6 x 6 x 32
90	22.01	7.29	---	5/16-18 UNC x 0.75	0.875	+0.0000 -0.0005	1.97	2.80	0.16	3/16 x 3/16 x 1-5/8
	559	185	5	M8 x 19	24	+0.015 +0.002	50			8 x 7 x 40
100	22.64	7.92	---	3/8-16 UNC x 0.87	1.125	+0.0000 -0.0005	2.36	3.27	0.16	1/4 x 1/4 x 2
	575	201	5	M10 x 22	28	+0.015 +0.002	60			8 x 7 x 50
112	22.60	7.88	---	3/8-16 UNC x 0.87	1.250	+0.0000 -0.0005	2.36	3.27	0.16	1/4 x 1/4 x 2
	574	200	5	M10 x 22	28	+0.015 +0.002	60			8 x 7 x 50
132	25.91	11.19	---	3/8-16 UNC x 0.87	1.375	+0.0000 -0.0005	3.15	6.61	0.14	5/16 x 5/16 x 2-3/4
	658	284	5	M12 x 28	38	+0.018 +0.002	80			10 x 8 x 70

Refer to page Engineering-3 for Input Flange and Shaft details.
Refer to page Engineering-8 and Engineering-9 for driven shaft dimensions.
Refer to page RHB-353 for Twin Tapered Bushing details.

NOMENCLATURE PAGE RHB-5	MOUNTING POSITIONS PAGE RHB-11	STOCK/NON-STOCK PART NUMBERS PAGE RHB-50	WEIGHTS PAGE RHB-372
----------------------------	-----------------------------------	---	-------------------------

DIMENSIONS



QUANTIS

QUANTIS GOLD

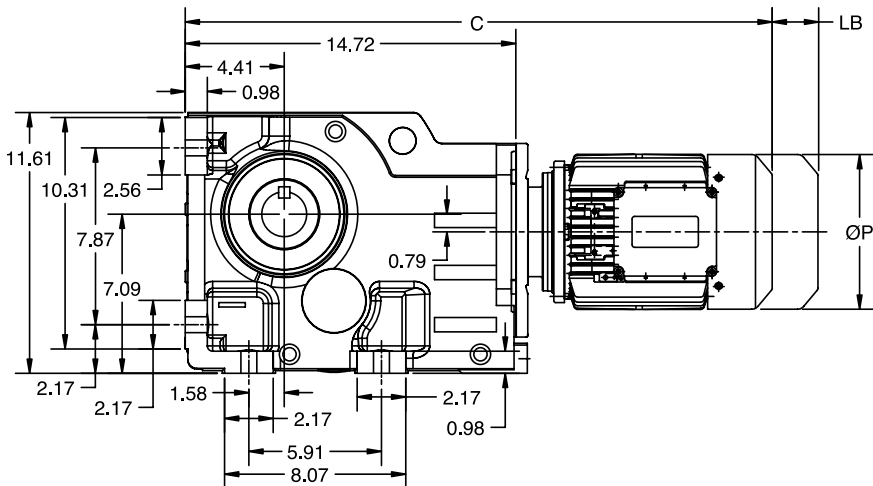
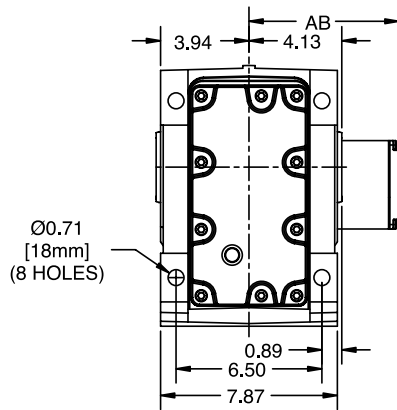
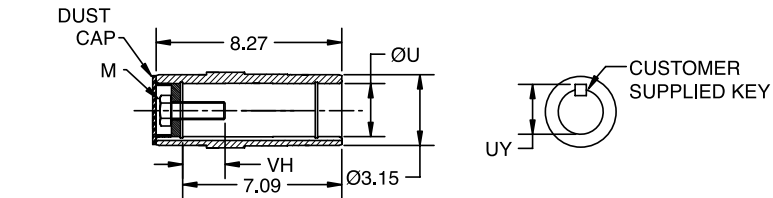
ILH

RHB

MSW

RIGHT ANGLE HELICAL BEVEL (RHB) Integral Gearmotor - Foot Mounted Triple Reduction Straight Hollow Bore Output Shaft

SIZE: BB88



NOMENCLATURE PAGE RHB-5	MOUNTING POSITIONS PAGE RHB-11	STOCK/NON-STOCK PART NUMBERS PAGE RHB-50	WEIGHTS PAGE RHB-372
----------------------------	-----------------------------------	---	-------------------------

DIMENSIONS



RIGHT ANGLE HELICAL BEVEL (RHB)

SIZE: BB88

Integral Gearmotor - Foot Mounted

Triple Reduction

Straight Hollow Bore Output Shaft

STANDARD HOLLOW OUTPUT SHAFT

Dimension - Inch/MM

ØU	tol.	UY	VH	KEY	M
2.000	+0.0012 +0.0004	2.22	1.89	1/2 x 1/2 x 3-5/16	3/4-10 x 2-1/4 UNC
50	+0.029 +0.010	54	48	14 x 9 x 80	M16 x 60

OPTIONAL HOLLOW OUTPUT SHAFT

Dimension - Inch/MM

ØU	tol.	UY	VH	KEY	M
1.9375	+0.0012 +0.0004	2.17	1.89	1/2 x 1/2 x 3-7/16	5/8-11 x 2-1/4 UNC
60	+0.029 +0.010	64	58	18 x 11 x 100	M20 x 70

MOTOR

Dimension - Inch/MM

Frame	C	LB	P	AB
71C4 / 71D4 / 71E4	24.82	1.81	6.19	5.18
	631	46	158	132
80F4	24.96	2.56	6.19	5.12
	634	65	158	131
80G4	26.46	2.56	6.19	5.12
	673	65	158	131
90H4	26.39	2.52	7.19	5.79
	671	64	183	148
90I4	27.27	2.52	7.19	5.79
	693	64	183	148
100J4	29.27	2.91	7.19	5.79
	744	74	183	148
112L4	30.92	2.91	8.6	6.88
	786	74	219	175
132M4	32.48	3.9	10.28	8.09
	825	99	262	206
132N4	33.98	3.9	10.28	8.09
	864	99	262	206

Refer to page Engineering-8 and Engineering-9 for driven shaft dimensions.

Refer to page RHB-353 for Twin Tapered Bushing details.

NOMENCLATURE PAGE RHB-5	MOUNTING POSITIONS PAGE RHB-11	STOCK/NON-STOCK PART NUMBERS PAGE RHB-60	WEIGHTS PAGE RHB-372
----------------------------	-----------------------------------	---	-------------------------

DIMENSIONS



QUANTIS

QUANTIS GOLD

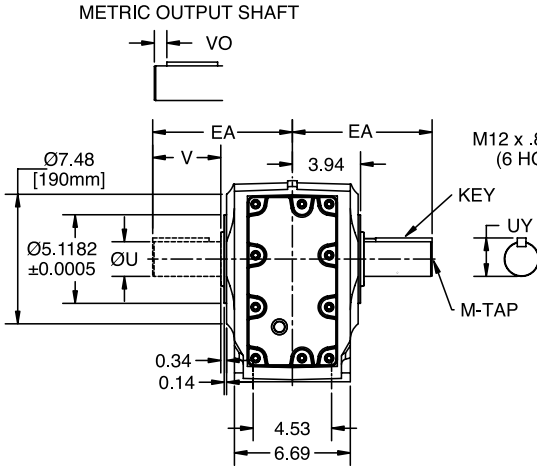
ILH

RHB

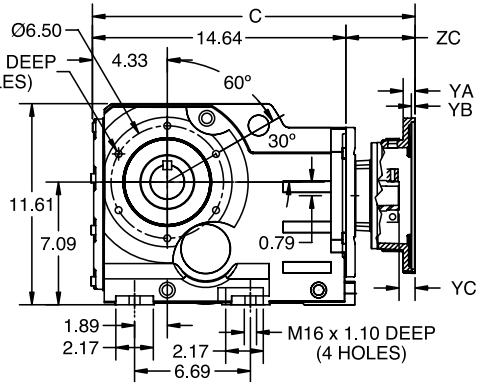
MSW

RIGHT ANGLE HELICAL BEVEL (RHB) NEMA C-Face - Flange Mounted (B5 / B14) - Clamp Collar / 3 Piece Coupled Triple Reduction Solid Output Shaft

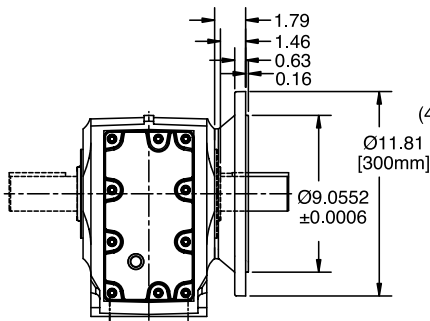
SIZE: BF88



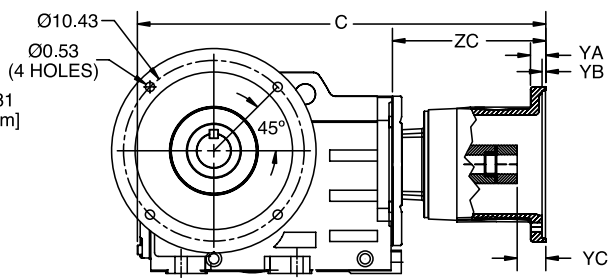
B14 OUTPUT FLANGE -
Ø190mm



CLAMP COLLAR



B5 OUTPUT FLANGE -
Ø300mm



THREE-PIECE COUPLED

NOMENCLATURE PAGE RHB-5	MOUNTING POSITIONS PAGE RHB-11	STOCK/NON-STOCK PART NUMBERS PAGE RHB-50	WEIGHTS PAGE RHB-372
----------------------------	-----------------------------------	---	-------------------------

RIGHT ANGLE HELICAL BEVEL (RHB)
NEMA C-Face - Flange Mounted (B5 / B14) - Clamp Collar / 3 Piece Coupled
Triple Reduction
Solid Output Shaft

SIZE: BF88

STANDARD SOLID OUTPUT SHAFT Dimension - Inch/MM

ØU	tol.	UY	V	VO	KEY	M-TAP x DEPTH	EA
2.000	+0.000 -0.0010	2.22	3.94	-	1/2 x 1/2 x 3-1/4	3/4-10 UNC x 1.65	8.07
50	+0.030 +0.011	54	100	10	14 x 9 x 80	M16 x 36	205

OPTIONAL SOLID OUTPUT SHAFT Dimension - Inch/MM

ØU	tol.	UY	V	VO	KEY	M-TAP x DEPTH	EA
2.750	+0.000 -0.0010	3.03	5.51	-	5/8 x 5/8 x 4-9/16	3/4-10 UNC x 1.65	9.65
70	+0.030 +0.011	75	140	15	20 x 12 x 110	M20 x 42	245

NEMA MOTOR ADAPTER - CLAMP COLLAR Dimension - Inch

	C	ZC	YA	YB	YC
56C	17.72	3.08	0.47	0.20	0.67
140TC	18.38	3.74	0.47	0.20	0.67
180TC	19.88	5.24	0.73	0.22	0.91
210TC	21.77	7.13	0.69	0.22	0.89

NEMA MOTOR ADAPTER - 3 PIECE COUPLED Dimension - Inch

	C	ZC	YA	YB	YC
56C	20.79	6.15	0.55	0.20	1.08
140TC	22.20	7.56	0.55	0.20	1.10
180TC	23.40	8.76	0.73	0.22	1.65
210TC	25.55	10.91	0.87	0.22	2.01

Refer to page Engineering-2 for Input Flange and Shaft details.

NOMENCLATURE PAGE RHB-5	MOUNTING POSITIONS PAGE RHB-11	STOCK/NON-STOCK PART NUMBERS PAGE RHB-50	WEIGHTS PAGE RHB-372
----------------------------	-----------------------------------	---	-------------------------

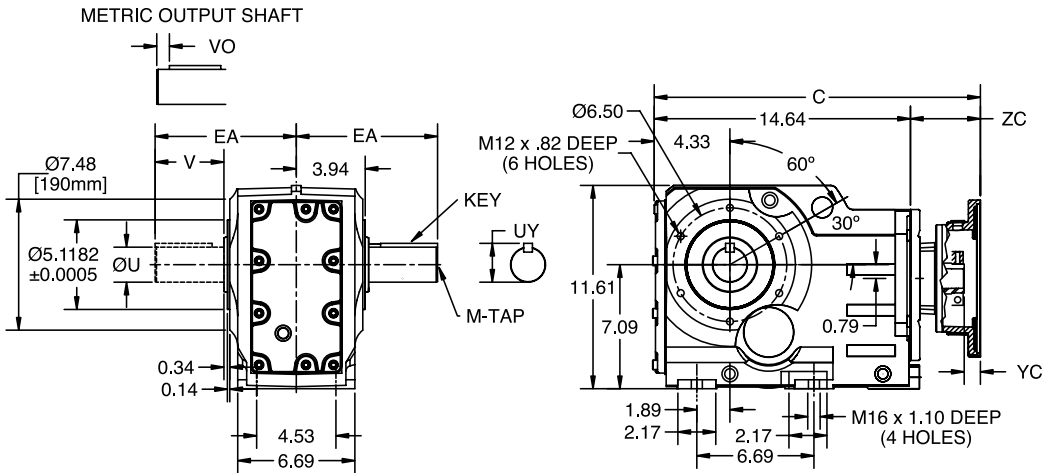
DIMENSIONS



RIGHT ANGLE HELICAL BEVEL (RHB)

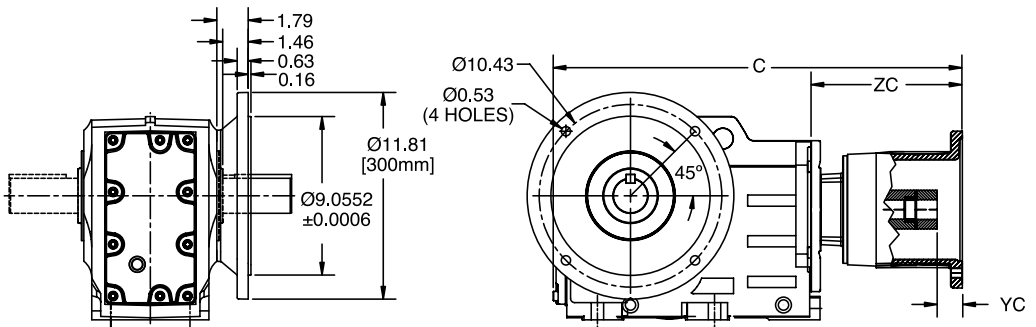
SIZE: BF88

IEC D Flange (B5 Input) - Flange Mounted (B5 / B14) - Clamp Collar / 3 Piece Coupled
Triple Reduction
Solid Output Shaft



**B14 OUTPUT FLANGE -
Ø190mm**

CLAMP COLLAR



**B5 OUTPUT FLANGE -
Ø300mm**

THREE-PIECE COUPLED

NOMENCLATURE
PAGE RHB-5

MOUNTING POSITIONS
PAGE RHB-11

STOCK/NON-STOCK PART NUMBERS
PAGE RHB-50

WEIGHTS
PAGE RHB-372

DIMENSIONS



RIGHT ANGLE HELICAL BEVEL (RHB) SIZE: BF88 IEC D Flange (B5 Input) - Flange Mounted (B5 / B14) - Clamp Collar / 3 Piece Coupled Triple Reduction Solid Output Shaft

STANDARD SOLID OUTPUT SHAFT Dimension - Inch/MM

ØU	tol.	UY	V	VO	KEY	M-TAP x DEPTH	EA
2.000	+0.000 -0.0010	2.22	3.94	-	1/2 x 1/2 x 3-1/4	3/4-10 UNC x 1.65	8.07
50	+0.030 +0.011	54	100	10	14 x 9 x 80	M16 x 36	205

OPTIONAL SOLID OUTPUT SHAFT Dimension - Inch/MM

ØU	tol.	UY	V	VO	KEY	M-TAP x DEPTH	EA
2.750	+0.000 -0.0010	3.03	5.51	-	5/8 x 5/8 x 4-9/16	3/4-10 UNC x 1.65	9.65
70	+0.030 +0.011	75	140	15	20 x 12 x 110	M20 x 42	245

IEC MOTOR ADAPTER - CLAMP COLLAR Dimension - Inch

	C	ZC	YC
71D	16.95	2.31	0.16
80D	17.89	3.25	0.61
90D	17.89	3.25	0.61
100D	18.19	3.55	0.28
112D	18.44	3.80	0.28
132D	20.06	5.42	0.87

IEC MOTOR ADAPTER - 3 PIECE COUPLED Dimension - Inch

	C	ZC	YC
80D	22.12	7.48	0.59
90D	22.12	7.48	1.02
100D	23.01	8.37	1.18
112D	22.89	8.25	1.18
132D	25.31	10.67	1.77

Refer to page Engineering-3 for Input Flange and Shaft details

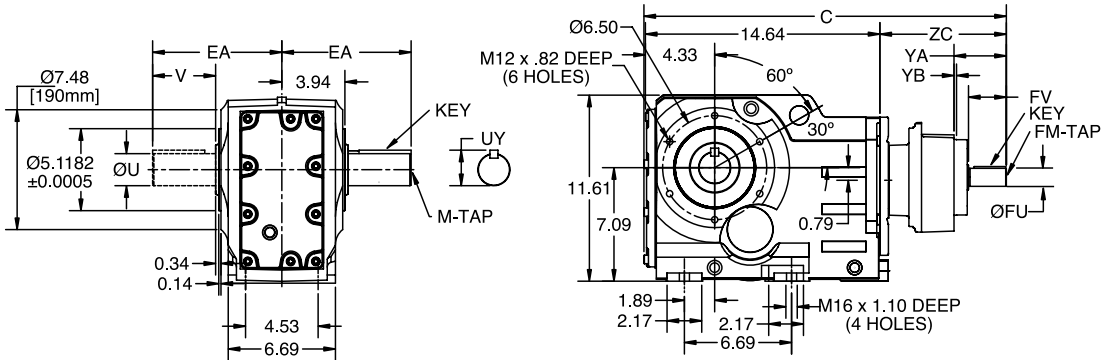
NOMENCLATURE PAGE RHB-5	MOUNTING POSITIONS PAGE RHB-11	STOCK/NON-STOCK PART NUMBERS PAGE RHB-50	WEIGHTS PAGE RHB-372
----------------------------	-----------------------------------	---	-------------------------

DIMENSIONS

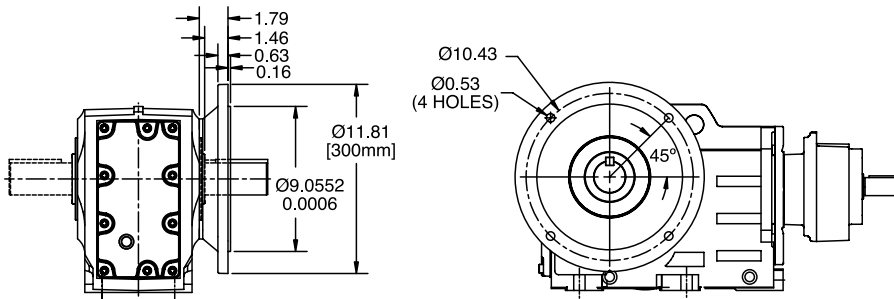


RIGHT ANGLE HELICAL BEVEL (RHB) Separate - Flange Mounted (B5 / B14) Triple Reduction Solid Output Shaft

SIZE: BF88



**B14 OUTPUT FLANGE -
Ø190mm**



**B5 OUTPUT FLANGE -
Ø300mm**

METRIC OUTPUT SHAFT



METRIC INPUT SHAFT



NOMENCLATURE
PAGE RHB-5

MOUNTING POSITIONS
PAGE RHB-11

STOCK/NON-STOCK PART NUMBERS
PAGE RHB-50

WEIGHTS
PAGE RHB-372

RIGHT ANGLE HELICAL BEVEL (RHB)

SIZE: BF88

Separate - Flange Mounted (B5 / B14)

Triple Reduction

Solid Output Shaft

STANDARD SOLID OUTPUT SHAFT

Dimension - Inch/MM

ØU	tol.	UY	V	VO	KEY	M-TAP x DEPTH	EA
2	0 -0.001	2.22	3.94	-	1/2 x 1/2 x 3-1/4	3/4-10 UNC x 1.65	8.07
50	0.03 0.011	54	100	10	14 x 9 x 80	M16 x 36	205

OPTIONAL SOLID OUTPUT SHAFT

Dimension - Inch/MM

ØU	tol.	UY	V	VO	KEY	M-TAP x DEPTH	EA
2.75	0 -0.001	3.03	5.51	-	5/8 x 5/8 x 4-9/16	3/4-10 UNC x 1.65	9.65
70	0.03 0.011	75	140	15	20 x 12 x 110	M20 x 42	245

SEPARATE INPUT

Dimension - Inch/MM

	C	ZC	FO	FM x Depth	ØFU	tol.	FV	YA	YB	Key
71	20.16	5.52	---	8-32 UNC x 0.49	0.625	+0.0000 -0.0005	1.57	2.40	0.16	3/16 x 3/16 x 1-5/16
	512	140	4	M5 x 12.5	16	+0.012 +0.001	40			5 x 5 x 32
80	21.53	6.89	---	1/4 -20 UNC x 0.63	0.750	+0.0000 -0.0005	1.57	2.40	0.16	3/16 x 3/16 x 1-5/16
	547	175	4	M6 x 16	19	+0.015 +0.002	40			6 x 6 x 32
90	21.93	7.29	---	5/16-18 UNC x 0.75	0.875	+0.0000 -0.0005	1.97	2.80	0.16	3/16 x 3/16 x 1-5/8
	557	185	5	M8 x 19	24	+0.015 +0.002	50			8 x 7 x 40
100	22.56	7.92	---	3/8-16 UNC x 0.87	1.125	+0.0000 -0.0005	2.36	3.27	0.16	1/4 x 1/4 x 2
	573	201	5	M10 x 22	28	+0.015 +0.002	60			8 x 7 x 50
112	22.52	7.88	---	3/8-16 UNC x 0.87	1.250	+0.0000 -0.0005	2.36	3.27	0.16	1/4 x 1/4 x 2
	572	200	5	M10 x 22	28	+0.015 +0.002	60			8 x 7 x 50
132	25.83	11.19	---	3/8-16 UNC x 0.87	1.375	+0.0000 -0.0005	3.15	6.61	0.14	5/16 x 5/16 x 2-3/4
	656	284	5	M12 x 28	38	+0.018 +0.002	80			10 x 8 x 70

Refer to page Engineering-4 for Input Flange and Shaft details

NOMENCLATURE PAGE RHB-5	MOUNTING POSITIONS PAGE RHB-11	STOCK/NON-STOCK PART NUMBERS PAGE RHB-50	WEIGHTS PAGE RHB-372
----------------------------	-----------------------------------	---	-------------------------

DIMENSIONS



QUANTIS

RIGHT ANGLE HELICAL BEVEL (RHB) Integral Gearmotor - Flange Mounted (B5 / B14) Triple Reduction Solid Output Shaft

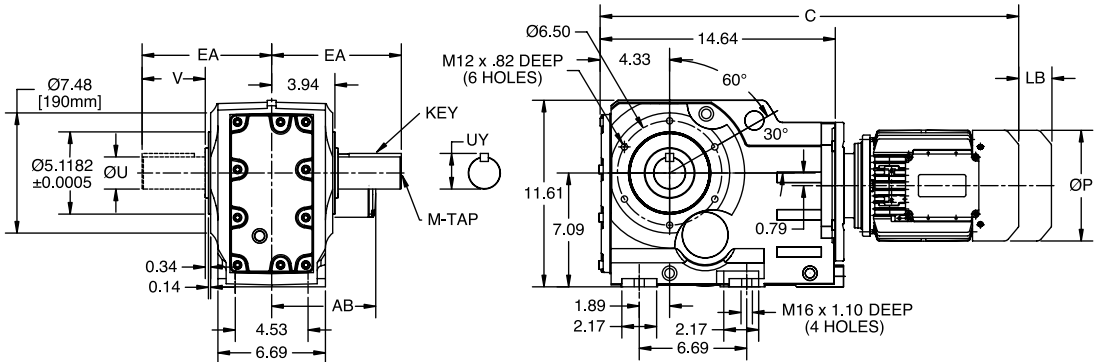
SIZE: BF88

QUANTIS GOLD

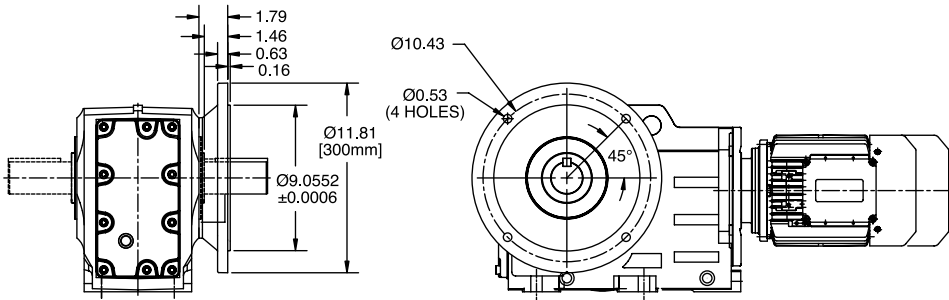
ILH

RHB

MSW



**B14 OUTPUT FLANGE -
Ø190mm**



**B5 OUTPUT FLANGE -
Ø300mm**

METRIC OUTPUT SHAFT



NOMENCLATURE PAGE RHB-5	MOUNTING POSITIONS PAGE RHB-11	STOCK/NON-STOCK PART NUMBERS PAGE RHB-50	WEIGHTS PAGE RHB-372
----------------------------	-----------------------------------	---	-------------------------

DIMENSIONS



RIGHT ANGLE HELICAL BEVEL (RHB) Integral Gearmotor - Flange Mounted (B5 / B14) Triple Reduction Solid Output Shaft

SIZE: BF88

QUANTIS

QUANTIS GOLD

ILH

RHB

MSM

STANDARD SOLID OUTPUT SHAFT

Dimension - Inch/MM

ØU	tol.	UY	V	VO	KEY	M-TAP x DEPTH	EA
2.000	+0.000 -0.0010	2.22	3.94	-	1/2 x 1/2 x 3-1/4	3/4-10 UNC x 1.65	8.07
50	+0.018 +0.002	54	100	10	14 x 9 x 80	M16 x 36	205

OPTIONAL SOLID OUTPUT SHAFT

Dimension - Inch/MM

ØU	tol.	UY	V	VO	KEY	M-TAP x DEPTH	EA
2.750	+0.000 -0.0010	3.03	5.51	-	5/8 x 5/8 x 4-9/16	3/4-10 UNC x 1.65	9.65
70	+0.030 +0.011	75	140	15	20 x 12 x 110	M20 x 42	245

MOTOR

Dimension - Inch/MM

Frame	C	LB	P	AB
71C4 / 71D4 / 71E4	24.74	1.81	6.19	5.18
	629	46	158	132
80F4	24.88	2.56	6.19	5.12
	632	65	158	131
80G4	26.38	2.56	6.19	5.12
	671	65	158	131
90H4	26.31	2.52	7.19	5.79
	669	64	183	148
90I4	27.19	2.52	7.19	5.79
	691	64	183	148
100J4	29.19	2.91	7.19	5.79
	742	74	183	148
112L4	30.84	2.91	8.6	6.88
	784	74	219	175
132M4	32.4	3.90	10.28	8.09
	823	99	262	206
132N4	33.9	3.90	10.28	8.09
	862	99	262	206

NOMENCLATURE PAGE RHB-5	MOUNTING POSITIONS PAGE RHB-11	STOCK/NON-STOCK PART NUMBERS PAGE RHB-50	WEIGHTS PAGE RHB-372
----------------------------	-----------------------------------	---	-------------------------

DIMENSIONS



QUANTIS

QUANTIS GOLD

ILH

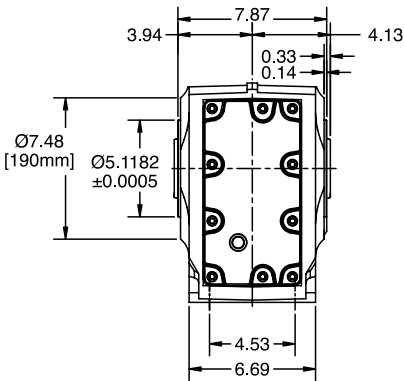
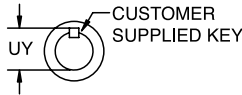
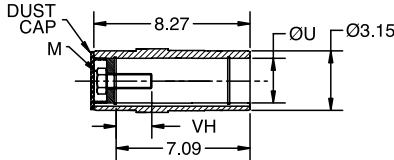
RHB

MSW

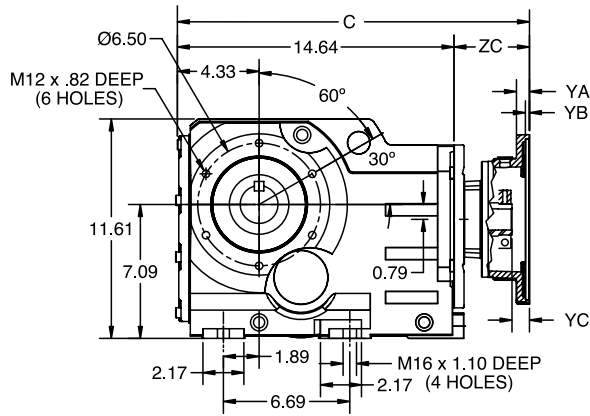
RIGHT ANGLE HELICAL BEVEL (RHB)

NEMA C-Face - Flange Mounted (B5 / B14) - Clamp Collar / 3 Piece Coupled
Triple Reduction
Straight Hollow Bore Output Shaft

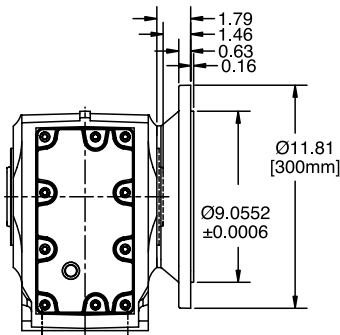
SIZE: BF88



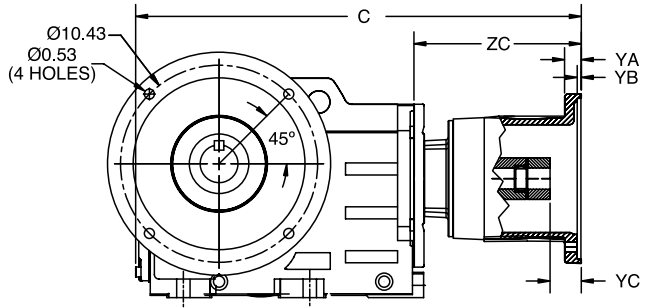
**B14 OUTPUT FLANGE -
Ø190mm**



CLAMP COLLAR



**B5 OUTPUT FLANGE -
Ø300mm**



THREE-PIECE COUPLED

NOMENCLATURE
PAGE RHB-5

MOUNTING POSITIONS
PAGE RHB-11

STOCK/NON-STOCK PART NUMBERS
PAGE RHB-50

WEIGHTS
PAGE RHB-372

RIGHT ANGLE HELICAL BEVEL (RHB)
NEMA C-Face - Flange Mounted (B5 / B14) - Clamp Collar / 3 Piece Coupled
Triple Reduction
Straight Hollow Bore Output Shaft

SIZE: BF88

STANDARD HOLLOW OUTPUT SHAFT						Dimension - Inch/MM
ØU	tol.	UY	VH	KEY	M	
2.000	+0.0012 +0.0004	2.23	1.89	1/2 x 1/2 x 3-5/16	3/4-10 x 2-1/4 UNC	
50	+0.029 +0.010	54	48	14 x 9 x 80	M16 x 60	

OPTIONAL HOLLOW OUTPUT SHAFT						Dimension - Inch/MM
ØU	tol.	UY	VH	KEY	M	
1.9375	+0.0012 +0.0004	2.17	1.89	1/2 x 1/2 x 3-7/16	5/8-11 x 2-1/4 UNC	
60	+0.029 +0.010	64	58	18 x 11 x 100	M20 x 70	

NEMA MOTOR ADAPTER - CLAMP COLLAR						Dimension - Inch
	C	ZC	YA	YB	YC	
56C	17.72	3.08	0.47	0.20	0.67	
140TC	18.38	3.74	0.47	0.20	0.67	
180TC	19.88	5.24	0.73	0.22	0.91	
210TC	21.77	7.13	0.69	0.22	0.89	

NEMA MOTOR ADAPTER - 3 PIECE COUPLED						Dimension - Inch
	C	ZC	YA	YB	YC	
56C	20.79	6.15	0.55	0.20	1.08	
140TC	22.20	7.56	0.55	0.20	1.10	
180TC	23.40	8.76	0.73	0.22	1.65	
210TC	25.55	10.91	0.87	0.22	2.01	

Refer to page Engineering-2 for Input Flange and Shaft details.
 Refer to page Engineering-8 and Engineering-9 for driven shaft dimensions.
 Refer to page RHB-353 for Twin Tapered Bushing details.

NOMENCLATURE PAGE RHB-5	MOUNTING POSITIONS PAGE RHB-11	STOCK/NON-STOCK PART NUMBERS PAGE RHB-60	WEIGHTS PAGE RHB-372
----------------------------	-----------------------------------	---	-------------------------

DIMENSIONS



QUANTIS

QUANTIS GOLD

ILH

RHB

MSW

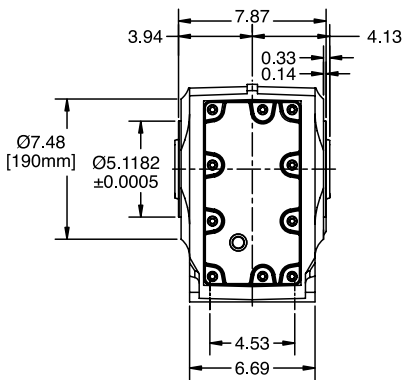
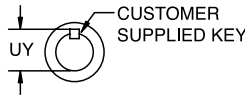
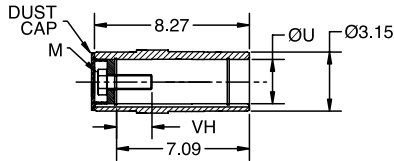
RIGHT ANGLE HELICAL BEVEL (RHB)

SIZE: BF88

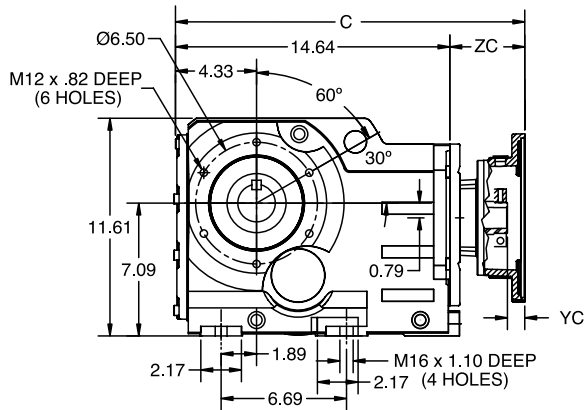
IEC D Flange (B5 Input) - Flange Mounted (B5 / B14) - Clamp Collar / 3 Piece Coupled

Triple Reduction

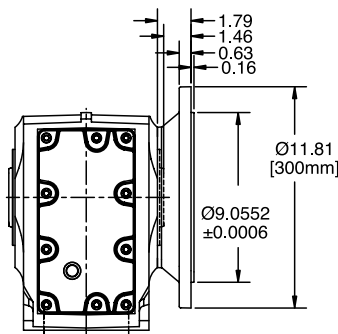
Straight Hollow Bore Output Shaft



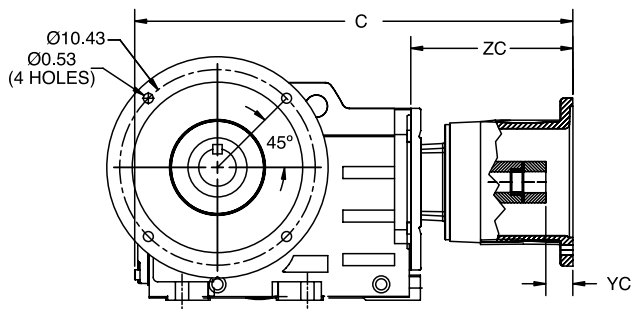
B14 OUTPUT FLANGE -
Ø190mm



CLAMP COLLAR



B5 OUTPUT FLANGE -
Ø300mm



THREE-PIECE COUPLED

NOMENCLATURE PAGE RHB-5	MOUNTING POSITIONS PAGE RHB-11	STOCK/NON-STOCK PART NUMBERS PAGE RHB-50	WEIGHTS PAGE RHB-372
----------------------------	-----------------------------------	---	-------------------------

DIMENSIONS



RIGHT ANGLE HELICAL BEVEL (RHB) SIZE: BF88 IEC D Flange (B5 Input) - Flange Mounted (B5 / B14) - Clamp Collar / 3 Piece Coupled Triple Reduction Straight Hollow Bore Output Shaft

STANDARD HOLLOW OUTPUT SHAFT Dimension - Inch/MM

ØU	tol.	UY	VH	KEY	M
2.000	+0.0012 +0.0004	2.23	1.89	1/2 x 1/2 x 3-5/16	3/4-10 x 2-1/4 UNC
50	+0.029 +0.010	54	48	14 x 9 x 80	M16 x 60

OPTIONAL HOLLOW OUTPUT SHAFT Dimension - Inch/MM

ØU	tol.	UY	VH	KEY	M
1.9375	+0.0012 +0.0004	2.17	1.89	1/2 x 1/2 x 3-7/16	5/8-11 x 2-1/4 UNC
60	+0.029 +0.010	64	58	18 x 11 x 100	M20 x 70

IEC MOTOR ADAPTER - CLAMP COLLAR Dimension - Inch

	C	ZC	YC
71D	16.95	2.31	0.16
80D	17.89	3.25	0.61
90D	17.89	3.25	0.61
100D	18.19	3.55	0.28
112D	18.44	3.80	0.28
132D	20.06	5.42	0.87

IEC MOTOR ADAPTER - 3 PIECE COUPLED Dimension - Inch

	C	ZC	YC
80D	22.12	7.48	0.59
90D	22.12	7.48	1.02
100D	23.01	8.37	1.18
112D	22.89	8.25	1.18
132D	25.31	10.67	1.77

Refer to page Engineering-3 for Input Flange and Shaft details.
 Refer to page Engineering-9 and Engineering-9 for driven shaft dimensions.
 Refer to page RHB-353 for Twin Tapered Bushing details.

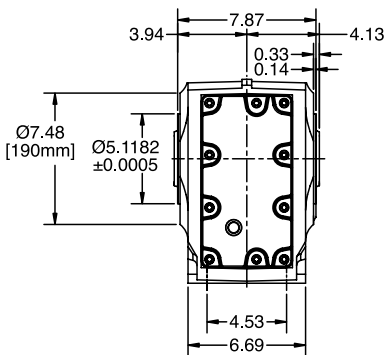
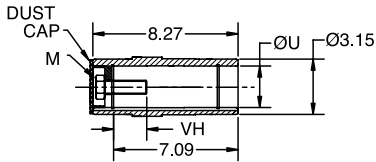
NOMENCLATURE PAGE RHB-5	MOUNTING POSITIONS PAGE RHB-11	STOCK/NON-STOCK PART NUMBERS PAGE RHB-50	WEIGHTS PAGE RHB-372
----------------------------	-----------------------------------	---	-------------------------

DIMENSIONS

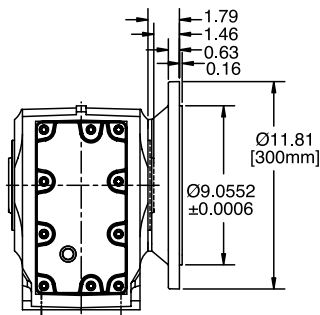
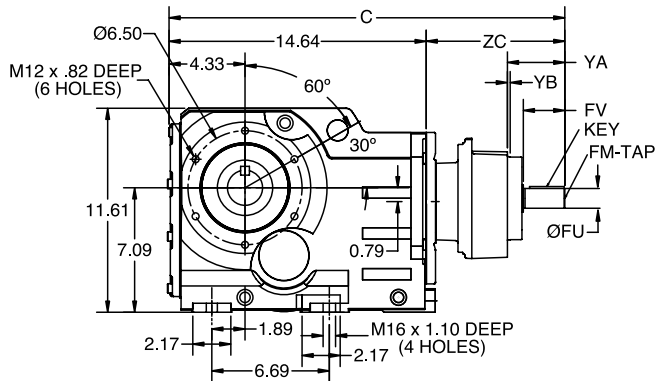


RIGHT ANGLE HELICAL BEVEL (RHB) Separate - Flange Mounted (B5 / B14) Triple Reduction Straight Hollow Bore Output Shaft

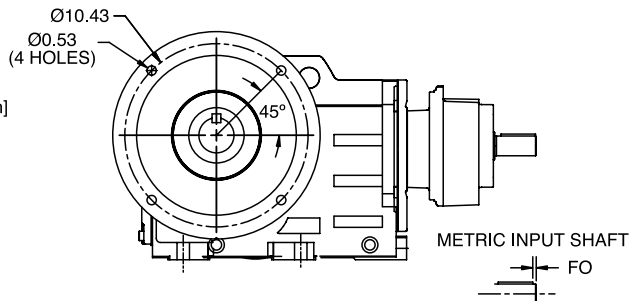
SIZE: BF88



**B14 OUTPUT FLANGE -
Ø190mm**



**B5 OUTPUT FLANGE -
Ø300mm**



NOMENCLATURE
PAGE RHB-5

MOUNTING POSITIONS
PAGE RHB-11

STOCK/NON-STOCK PART NUMBERS
PAGE RHB-50

WEIGHTS
PAGE RHB-372

RIGHT ANGLE HELICAL BEVEL (RHB) Separate - Flange Mounted (B5 / B14) Triple Reduction Straight Hollow Bore Output Shaft

SIZE: BF88

QUANTIS

QUANTIS GOLD

ILH

RHB

MSM

STANDARD HOLLOW OUTPUT SHAFT

Dimension - Inch/MM

ØU	tol.	UY	VH	KEY	M
2.000	+0.0012 +0.0004	2.23	1.89	1/2 x 1/2 x 3-5/16	3/4-10 x 2-1/4 UNC
50	+0.029 +0.010	54	48	14 x 9 x 80	M16 x 60

OPTIONAL HOLLOW OUTPUT SHAFT

Dimension - Inch/MM

ØU	tol.	UY	VH	KEY	M
1.9375	+0.0012 +0.0004	2.17	1.89	1/2 x 1/2 x 3-7/16	5/8-11 x 2-1/4 UNC
60	+0.029 +0.010	64	58	18 x 11 x 100	M20 x 70

SEPARATE INPUT

Dimension - Inch/MM

	C	ZC	FO	FM x Depth	ØFU	tol.	FV	YA	YB	Key
71	20.16	5.52	---	8-32 UNC x 0.49	0.625	+0.0000 -0.0005	1.57	2.40	0.16	3/16 x 3/16 x 1-5/16
	512	140	4	M5 x 12.5	16	+0.012 +0.001	40			5 x 5 x 32
80	21.53	6.89	---	1/4 -20 UNC x 0.63	0.750	+0.0000 -0.0005	1.57	2.40	0.16	3/16 x 3/16 x 1-5/16
	547	175	4	M6 x 16	19	+0.015 +0.002	40			6 x 6 x 32
90	21.93	7.29	---	5/16-18 UNC x 0.75	0.875	+0.0000 -0.0005	1.97	2.80	0.16	3/16 x 3/16 x 1-5/8
	557	185	5	M8 x 19	24	+0.015 +0.002	50			8 x 7 x 40
100	22.56	7.92	---	3/8-16 UNC x 0.87	1.125	+0.0000 -0.0005	2.36	3.27	0.16	1/4 x 1/4 x 2
	573	201	5	M10 x 22	28	+0.015 +0.002	60			8 x 7 x 50
112	22.52	7.88	---	3/8-16 UNC x 0.87	1.250	+0.0000 -0.0005	2.36	3.27	0.16	1/4 x 1/4 x 2
	572	200	5	M10 x 22	28	+0.015 +0.002	60			8 x 7 x 50
132	25.83	11.19	---	3/8-16 UNC x 0.87	1.375	+0.0000 -0.0005	3.15	6.61	0.14	5/16 x 5/16 x 2-3/4
	656	284	5	M12 x 28	38	+0.018 +0.002	80			10 x 8 x 70

Refer to page Engineering-4 for Input Flange and Shaft details.
Refer to page Engineering-8 and Engineering-9 for driven shaft dimensions.
Refer to page RHB-353 for Twin Tapered Bushing details.

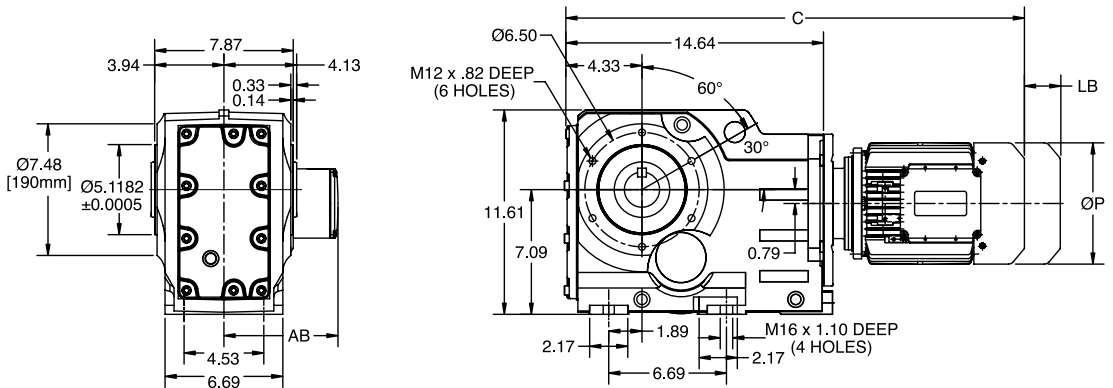
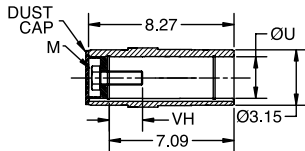
NOMENCLATURE PAGE RHB-5	MOUNTING POSITIONS PAGE RHB-11	STOCK/NON-STOCK PART NUMBERS PAGE RHB-50	WEIGHTS PAGE RHB-372
----------------------------	-----------------------------------	---	-------------------------

DIMENSIONS

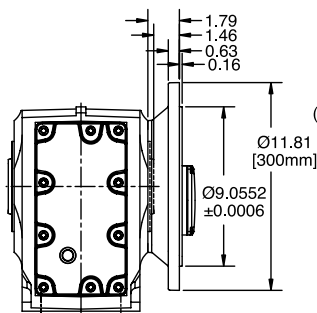


RIGHT ANGLE HELICAL BEVEL (RHB) Integral Gearmotor - Flange Mounted (B5 / B14) Triple Reduction Straight Hollow Bore Output Shaft

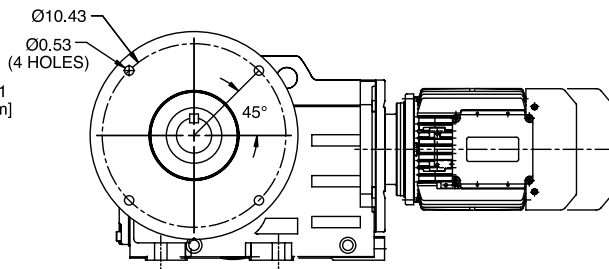
SIZE: BF88



**B14 OUTPUT FLANGE -
Ø190mm**



**B5 OUTPUT FLANGE -
Ø300mm**



NOMENCLATURE
PAGE RHB-5

MOUNTING POSITIONS
PAGE RHB-11

STOCK/NON-STOCK PART NUMBERS
PAGE RHB-50

WEIGHTS
PAGE RHB-372

DIMENSIONS



RIGHT ANGLE HELICAL BEVEL (RHB) Integral Gearmotor - Flange Mounted (B5 / B14) Triple Reduction Straight Hollow Bore Output Shaft

SIZE: BF88

QUANTIS

QUANTIS GOLD

ILH

RHB

MSM

STANDARD HOLLOW OUTPUT SHAFT					Dimension - Inch/MM
ØU	tol.	UY	VH	KEY	M
2.000	+0.0012 +0.0004	2.22	1.89	1/2 x 1/2 x 3-5/16	3/4-10 x 2-1/4 UNC
50	+0.029 +0.010	54	48	14 x 9 x 80	M16 x 60

OPTIONAL HOLLOW OUTPUT SHAFT					Dimension - Inch/MM
ØU	tol.	UY	VH	KEY	M
1.9375	+0.0012 +0.0004	2.17	1.89	1/2 x 1/2 x 3-7/16	5/8-11 x 2-1/4 UNC
60	+0.029 +0.010	64	58	18 x 11 x 100	M20 x 70

MOTOR					Dimension - Inch/MM
Frame	C	LB	P	AB	
71C4 / 71D4 / 71E4	24.74	1.81	6.19	5.18	
	629	46	158	132	
80F4	24.88	2.56	6.19	5.12	
	632	65	158	131	
80G4	26.38	2.56	6.19	5.12	
	671	65	158	131	
90H4	26.31	2.52	7.19	5.79	
	669	64	183	148	
90I4	27.19	2.52	7.19	5.79	
	691	64	183	148	
100J4	29.19	2.91	7.19	5.79	
	742	74	183	148	
112L4	30.84	2.91	8.6	6.88	
	784	74	219	175	
132M4	32.4	3.9	10.28	8.09	
	823	99	262	206	
132N4	33.9	3.9	10.28	8.09	
	862	99	262	206	

Refer to page Engineering-8 and Engineering-9 for driven shaft dimensions.
Refer to page RHB-353 for Twin Tapered Bushing details.

NOMENCLATURE PAGE RHB-5	MOUNTING POSITIONS PAGE RHB-11	STOCK/NON-STOCK PART NUMBERS PAGE RHB-60	WEIGHTS PAGE RHB-372
----------------------------	-----------------------------------	---	-------------------------

DIMENSIONS



QUANTIS

QUANTIS GOLD

ILH

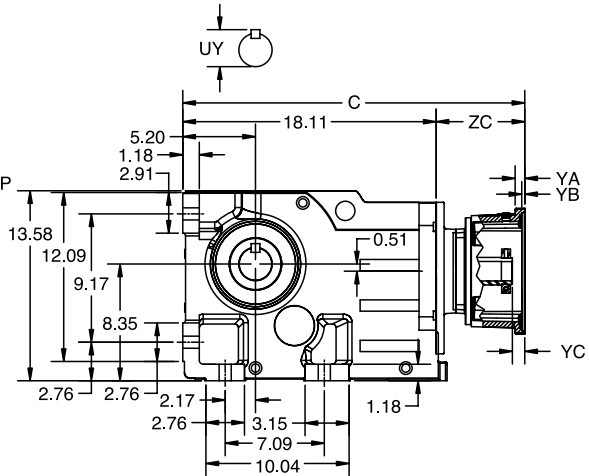
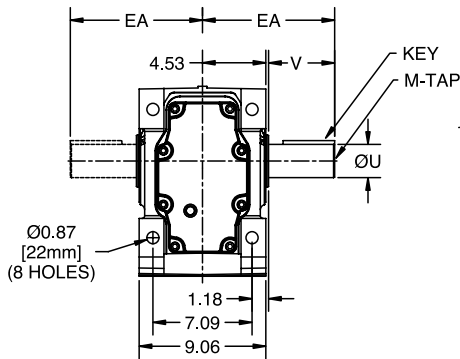
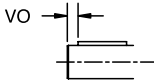
RHB

MSW

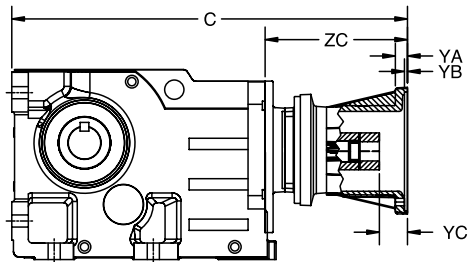
RIGHT ANGLE HELICAL BEVEL (RHB) NEMA C-Face - Foot Mounted - Clamp Collar / 3 Piece Coupled Triple Reduction Solid Output Shaft

SIZE: BB108

METRIC OUTPUT SHAFT



CLAMP COLLAR



THREE-PIECE COUPLED

NOMENCLATURE PAGE RHB-5	MOUNTING POSITIONS PAGE RHB-11	STOCK/NON-STOCK PART NUMBERS PAGE RHB-50	WEIGHTS PAGE RHB-372
----------------------------	-----------------------------------	---	-------------------------

DIMENSIONS



RIGHT ANGLE HELICAL BEVEL (RHB) NEMA C-Face - Foot Mounted - Clamp Collar / 3 Piece Coupled Triple Reduction Solid Output Shaft

SIZE: BB108

STANDARD SOLID OUTPUT SHAFT Dimension - Inch/MM

ØU	tol.	UY	V	VO	KEY	M-TAP x DEPTH	EA
2.375	+0.0000 -0.0010	2.65	4.72	-	5/8 x 5/8 x 3-11/16	3/4-10 UNC x 1.65	9.45
60	+0.030 +0.011	64	120	5	18 x 11 x 100	M20 x 42	240

OPTIONAL SOLID OUTPUT SHAFT Dimension - Inch/MM

ØU	tol.	UY	V	VO	KEY	M-TAP x DEPTH	EA
3.1875	+0.0000 -0.0010	3.52	6.69	-	3/4 x 3/4 x 5-3/8	3/4-10 UNC x 1.65	11.42
80	+0.030 +0.011	85	170	20	22 x 14 x 125	M20 x 42	290

NEMA MOTOR ADAPTER - CLAMP COLLAR Dimension - Inch

	C	ZC	YA	YB	YC
140TC	21.28	3.17	0.47	0.20	0.67
180TC	22.64	4.53	0.73	0.22	0.91
210TC	24.53	6.42	0.69	0.22	0.89
250TC	24.47	6.36	0.95	0.20	1.13

NEMA MOTOR ADAPTER - 3 PIECE COUPLED Dimension - Inch

	C	ZC	YA	YB	YC
140TC	25.08	6.97	0.55	0.20	1.10
180TC	26.14	8.03	0.73	0.22	1.65
210TC	28.29	10.18	0.87	0.22	2.01
250TC	30.24	12.13	0.95	0.20	2.17

Refer to page Engineering-2 for Input Flange and Shaft details.

NOMENCLATURE PAGE RHB-5	MOUNTING POSITIONS PAGE RHB-11	STOCK/NON-STOCK PART NUMBERS PAGE RHB-50	WEIGHTS PAGE RHB-372
----------------------------	-----------------------------------	---	-------------------------

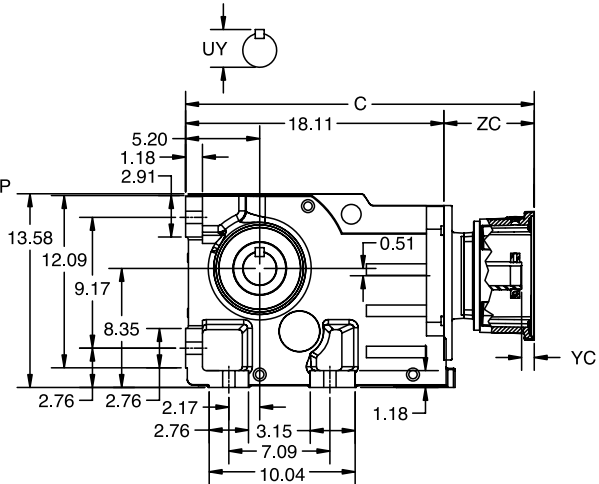
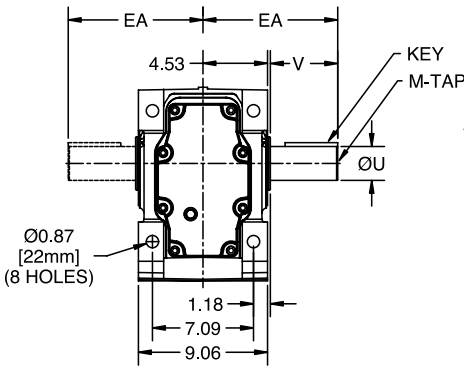
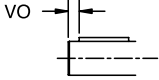
DIMENSIONS



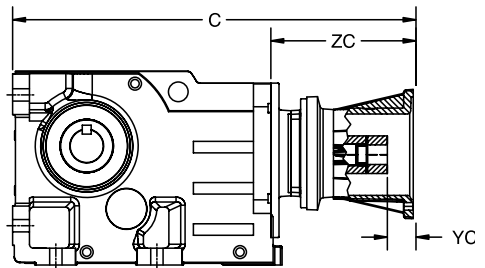
RIGHT ANGLE HELICAL BEVEL (RHB) IEC D Flange (B5 Input) - Foot Mounted - Clamp Collar / 3 Piece Coupled Triple Reduction Solid Output Shaft

SIZE: BB108

METRIC OUTPUT SHAFT



CLAMP COLLAR



THREE-PIECE COUPLED

NOMENCLATURE
PAGE RHB-5

MOUNTING POSITIONS
PAGE RHB-11

STOCK/NON-STOCK PART NUMBERS
PAGE RHB-50

WEIGHTS
PAGE RHB-372

DIMENSIONS



RIGHT ANGLE HELICAL BEVEL (RHB) IEC D Flange (B5 Input) - Foot Mounted - Clamp Collar / 3 Piece Coupled Triple Reduction Solid Output Shaft

SIZE: BB108

STANDARD SOLID OUTPUT SHAFT

Dimension - Inch/MM

ØU	tol.	UY	V	VO	KEY	M-TAP x DEPTH	EA
2.375	+0.000 -0.0010	2.65	4.72	-	5/8 x 5/8 x 3-11/16	3/4-10 UNC x 1.65	9.45
60	+0.030 +0.011	64	120	5	18 x 11 x 100	M20 x 42	240

OPTIONAL SOLID OUTPUT SHAFT

Dimension - Inch/MM

ØU	tol.	UY	V	VO	KEY	M-TAP x DEPTH	EA
3.1875	+0.000 -0.0010	3.52	6.69	-	3/4 x 3/4 x 5-3/8	3/4-10 UNC x 1.65	11.42
80	+0.030 +0.011	85	170	20	22 x 14 x 125	M20 x 42	290

IEC MOTOR ADAPTER - CLAMP COLLAR

Dimension - Inch

	C	ZC	YC
80D	20.77	2.66	0.61
90D	20.77	2.66	0.61
100D	20.96	2.85	0.28
112D	21.18	3.07	0.28
132D	22.80	4.69	0.87
160D	24.50	6.39	0.79

IEC MOTOR ADAPTER - 3 PIECE COUPLED

Dimension - Inch

	C	ZC	YC
80D	25.00	6.89	0.59
90D	25.00	6.89	1.02
100D	25.79	7.68	1.18
112D	25.63	7.52	1.18
132D	28.05	9.94	1.77
160D	30.67	12.56	2.60

Refer to page Engineering-3 for Input Flange and Shaft details.

NOMENCLATURE PAGE RHB-5	MOUNTING POSITIONS PAGE RHB-11	STOCK/NON-STOCK PART NUMBERS PAGE RHB-50	WEIGHTS PAGE RHB-372
----------------------------	-----------------------------------	---	-------------------------

DIMENSIONS

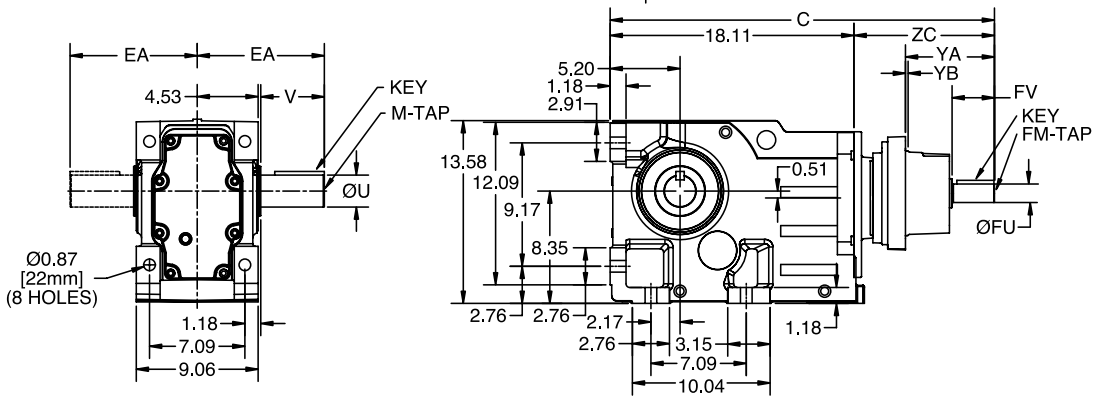
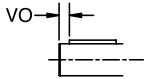


RIGHT ANGLE HELICAL BEVEL (RHB)

SIZE: BB108

Separate - Foot Mounted
Triple Reduction
Solid Output Shaft

METRIC OUTPUT SHAFT



METRIC INPUT SHAFT



QUANTIS

QUANTIS GOLD

ILH

RHB

MSW

NOMENCLATURE
PAGE RHB-5

MOUNTING POSITIONS
PAGE RHB-11

STOCK/NON-STOCK PART NUMBERS
PAGE RHB-50

WEIGHTS
PAGE RHB-372

RIGHT ANGLE HELICAL BEVEL (RHB)

SIZE: BB108

Separate - Foot Mounted
Triple Reduction
Solid Output Shaft

STANDARD SOLID OUTPUT SHAFT

Dimension - Inch/MM

ØU	tol.	UY	V	VO	KEY	M-TAP x DEPTH	EA
2.375	+0.000 -0.0010	2.65	4.72	-	5/8 x 5/8 x 3-11/16	3/4-10 UNC x 1.65	9.45
60	+0.030 +0.011	64	120	5	18 x 11 x 100	M20 x 42	240

OPTIONAL SOLID OUTPUT SHAFT

Dimension - Inch/MM

ØU	tol.	UY	V	VO	KEY	M-TAP x DEPTH	EA
3.1875	+0.000 -0.0010	3.52	6.69	-	3/4 x 3/4 x 5-3/8	3/4-10 UNC x 1.65	11.42
80	+0.030 +0.011	85	170	20	22 x 14 x 125	M20 x 42	290

SEPARATE INPUT

Dimension - Inch/MM

	C	ZC	FO	FM x Depth	ØFU	tol.	FV	YA	YB	Key
80	24.41	6.30	---	1/4-20 UNC x 0.63	0.75	+0.0000 -0.0005	1.57	2.40	0.16	3/16 x 3/16 x 1-5/16
	620	160	4	M6 x 16	19	+0.015 +0.002	40			6 x 6 x 32
90	24.80	6.69	---	5/16-18 UNC x 0.75	0.875	+0.0000 -0.0005	1.97	2.80	0.16	3/16 x 3/16 x 1-5/8
	630	170	5	M8 x 19	24	+0.015 +0.002	50			8 x 7 x 40
100	25.31	7.20	---	3/8-16 UNC x 0.87	1.125	+0.0000 -0.0005	2.36	3.27	0.16	1/4" x 1/4 x 2
	643	183	5	M10 x 22	28	+0.015 +0.002	60			8 x 7 x 50
112	25.24	7.13	---	3/8-16 UNC x 0.87	1.250	+0.0000 -0.0005	2.36	3.27	0.16	1/4" x 1/4 x 2
	641	181	5	M10 x 22	28	+0.015 +0.002	60			8 x 7 x 50
132	28.58	10.47	---	3/8-16 UNC x 0.87	1.375	+0.0000 -0.0005	3.15	6.61	0.14	5/16 x 5/16 x 2-3/4
	726	266	5	M12 x 28	38	+0.018 +0.002	80			10 x 8 x 70
160	30.28	12.17	---	5/8-11 UNC x 1.42	1.625	+0.0000 -0.0010	4.33	8.46	0.14	3/8 x 3/8 x 3-1/2
	769	309	10	M16 x 36	42	+0.018 +0.002	110			12 x 8 x 90

Refer to page Engineering-4 for Input Flange and Shaft details.

NOMENCLATURE PAGE RHB-5	MOUNTING POSITIONS PAGE RHB-11	STOCK/NON-STOCK PART NUMBERS PAGE RHB-50	WEIGHTS PAGE RHB-372
----------------------------	-----------------------------------	---	-------------------------

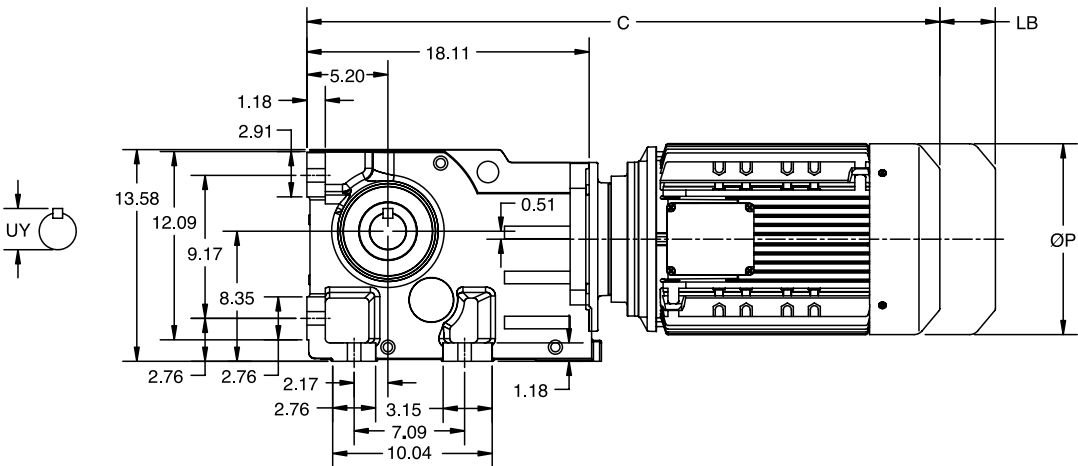
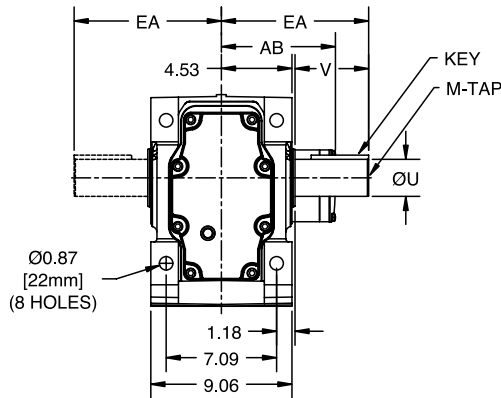
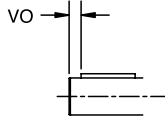
DIMENSIONS



RIGHT ANGLE HELICAL BEVEL (RHB) Integral Gearmotor - Foot Mounted Triple Reduction Solid Output Shaft

SIZE: BB108

METRIC OUTPUT SHAFT



NOMENCLATURE
PAGE RHB-5

MOUNTING POSITIONS
PAGE RHB-11

STOCK/NON-STOCK PART NUMBERS
PAGE RHB-50

WEIGHTS
PAGE RHB-372

DIMENSIONS



RIGHT ANGLE HELICAL BEVEL (RHB)

SIZE: BB108

Integral Gearmotor - Foot Mounted
Triple Reduction
Solid Output Shaft

STANDARD SOLID OUTPUT SHAFT

Dimension - Inch/MM

ØU	tol.	UY	V	VO	KEY	M-TAP x DEPTH	EA
2.375	+0.000 -0.0010	2.65	4.72	-	5/8 x 5/8 x 3-11/16	3/4-10 UNC x 1.65	9.45
60	+0.030 +0.011	64	120	10	18 x 11 x 100	M20 x 42	240

OPTIONAL SOLID OUTPUT SHAFT

Dimension - Inch/MM

ØU	tol.	UY	V	VO	KEY	M-TAP x DEPTH	EA
3.1875	+0.000 -0.0010	3.52	6.69	-	3/4 x 3/4 x 5-3/8	3/4-10 UNC x 1.65	11.42
80	+0.030 +0.011	85	170	20	22 x 14 x 125	M20 x 42	290

MOTOR

Dimension - Inch/MM

Frame	C	LB	P	AB
80F4	27.75	2.56	6.19	5.12
	705	65	158	131
80G4	29.25	2.56	6.19	5.12
	743	65	158	131
90H4	29.18	2.52	7.19	5.79
	742	64	183	148
90I4	30.07	2.52	7.19	5.79
	764	64	183	148
100J4	31.97	2.91	7.19	5.79
	813	74	183	148
112L4	33.58	2.91	8.6	6.88
	853	74	219	175
132M4	35.14	3.9	10.28	8.09
	893	99	262	206
132N4	36.64	3.9	10.28	8.09
	931	99	262	206

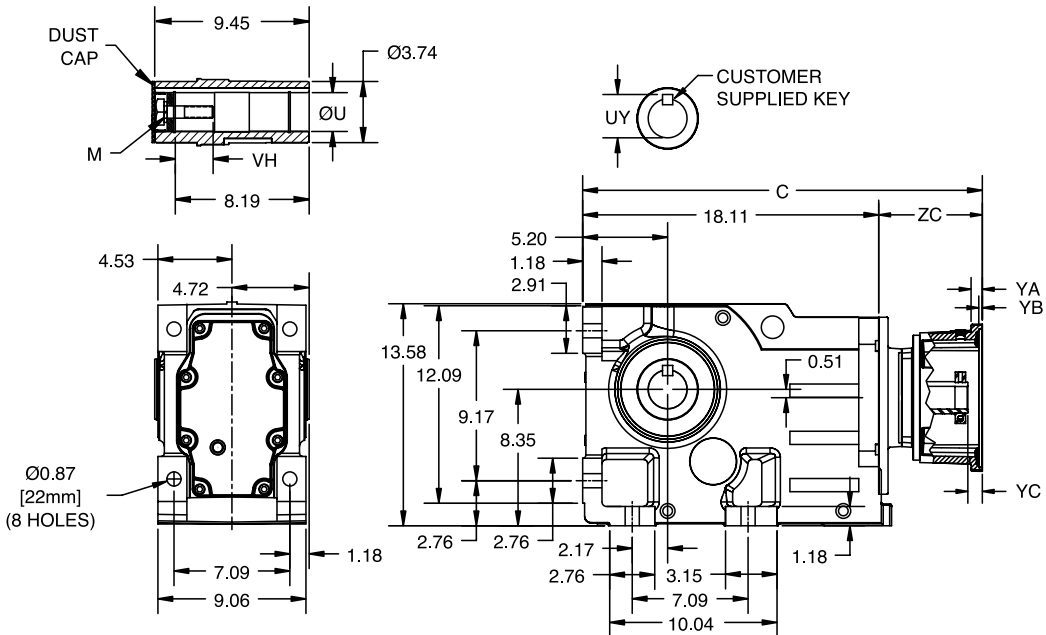
NOMENCLATURE PAGE RHB-5	MOUNTING POSITIONS PAGE RHB-11	STOCK/NON-STOCK PART NUMBERS PAGE RHB-50	WEIGHTS PAGE RHB-372
----------------------------	-----------------------------------	---	-------------------------

DIMENSIONS

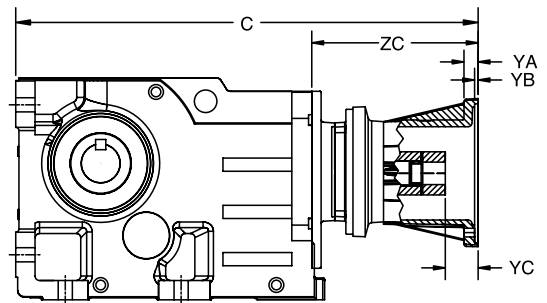


RIGHT ANGLE HELICAL BEVEL (RHB) NEMA C-Face - Foot Mounted - Clamp Collar / 3 Piece Coupled Triple Reduction Straight Hollow Bore Output Shaft

SIZE: BB108



CLAMP COLLAR



THREE-PIECE COUPLED

QUANTIS

QUANTIS GOLD

ILH

RHB

MSW

NOMENCLATURE PAGE RHB-5	MOUNTING POSITIONS PAGE RHB-11	STOCK/NON-STOCK PART NUMBERS PAGE RHB-50	WEIGHTS PAGE RHB-372
----------------------------	-----------------------------------	---	-------------------------

RIGHT ANGLE HELICAL BEVEL (RHB)
NEMA C-Face - Foot Mounted - Clamp Collar / 3 Piece Coupled
Triple Reduction
Straight Hollow Bore Output Shaft

SIZE: BB108

QUANTIS

QUANTIS GOLD

ILH

RHB

MSM

STANDARD HOLLOW OUTPUT SHAFT

Dimension - Inch/MM

$\emptyset U$	tol.	UY	VH	KEY	M
2.375	+0.0012 +0.0004	2.66	2.53	5/8 x 5/8 x 4-1/16	3/4-10 x 3 UNC
60	+0.029 +0.010	64	68	18 x 11 x 100	M20 x 80

OPTIONAL HOLLOW OUTPUT SHAFT

Dimension - Inch/MM

$\emptyset U$	tol.	UY	VH	KEY	M
2.4375	+0.0012 +0.0004	2.72	2.51	5/8 x 5/8 x 4	3/4-10 x 3 UNC
70	+0.029 +0.010	75	67	20 x 12 x 110	M20 x 80

NEMA MOTOR ADAPTER - CLAMP COLLAR

Dimension - Inch

	C	ZC	YA	YB	YC
140TC	21.28	3.17	0.47	0.20	0.67
180TC	22.64	4.53	0.73	0.22	0.91
210TC	24.53	6.42	0.69	0.22	0.89
250TC	24.47	6.36	0.95	0.20	1.13

NEMA MOTOR ADAPTER - 3 PIECE COUPLED

Dimension - Inch

	C	ZC	YA	YB	YC
140TC	25.08	6.97	0.55	0.20	1.10
180TC	26.14	8.03	0.73	0.22	1.65
210TC	28.29	10.18	0.87	0.22	2.01
250TC	30.24	12.13	0.95	0.20	2.17

Refer to page Engineering-2 for Input Flange and Shaft details.
 Refer to page Engineering-8 and Engineering-9 for driven shaft dimensions.
 Refer to page RHB-354 for Twin Tapered Bushing details.

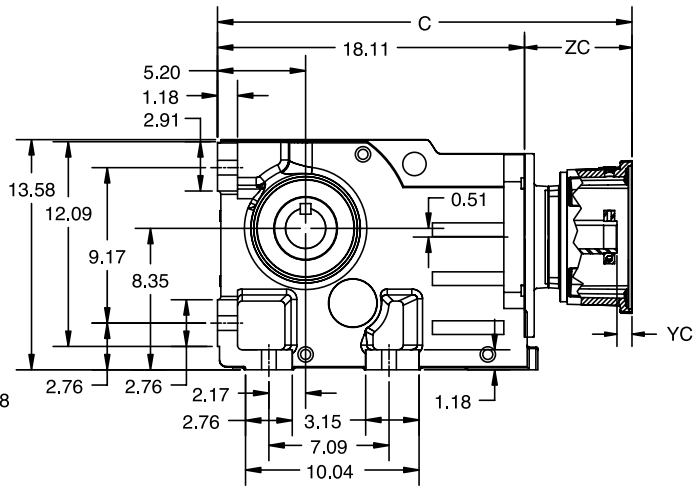
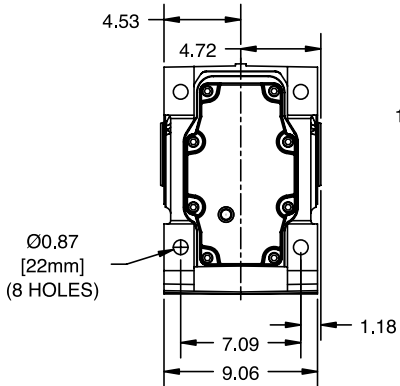
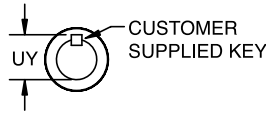
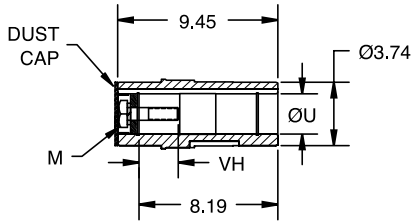
NOMENCLATURE PAGE RHB-5	MOUNTING POSITIONS PAGE RHB-11	STOCK/NON-STOCK PART NUMBERS PAGE RHB-60	WEIGHTS PAGE RHB-372
----------------------------	-----------------------------------	---	-------------------------

DIMENSIONS

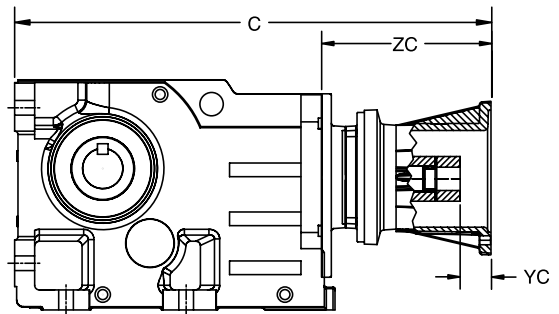


RIGHT ANGLE HELICAL BEVEL (RHB) IEC D Flange (B5 Input) - Foot Mounted - Clamp Collar / 3 Piece Coupled Triple Reduction Straight Hollow Bore Output Shaft

SIZE: BB108



CLAMP COLLAR



THREE-PIECE COUPLED

NOMENCLATURE
PAGE RHB-5

MOUNTING POSITIONS
PAGE RHB-11

STOCK/NON-STOCK PART NUMBERS
PAGE RHB-50

WEIGHTS
PAGE RHB-372

DIMENSIONS



RIGHT ANGLE HELICAL BEVEL (RHB) IEC D Flange (B5 Input) - Foot Mounted - Clamp Collar / 3 Piece Coupled Triple Reduction Straight Hollow Bore Output Shaft

SIZE: BB108

STANDARD HOLLOW OUTPUT SHAFT

Dimension - Inch/MM

ØU	tol.	UY	VH	KEY	M
2.375	+0.0012 +0.0004	2.66	2.53	5/8 x 5/8 x 4-1/16	3/4-10 x 3 UNC
60	+0.029 +0.010	64	68	18 x 11 x 100	M20 x 80

OPTIONAL HOLLOW OUTPUT SHAFT

Dimension - Inch/MM

ØU	tol.	UY	VH	KEY	M
2.4375	+0.0012 +0.0004	2.72	2.51	5/8 x 5/8 x 4	3/4-10 x 3 UNC
70	+0.029 +0.010	75	67	20 x 12 x 110	M20 x 80

IEC MOTOR ADAPTER - CLAMP COLLAR

Dimension - Inch

	C	ZC	YC
80D	20.77	2.66	0.61
90D	20.77	2.66	0.61
100D	20.96	2.85	0.28
112D	21.18	3.07	0.28
132D	22.80	4.69	0.87
160D	24.50	6.39	0.79

IEC MOTOR ADAPTER - 3 PIECE COUPLED

Dimension - Inch

	C	ZC	YC
80D	25.00	6.89	0.59
90D	25.00	6.89	1.02
100D	25.79	7.68	1.18
112D	25.63	7.52	1.18
132D	28.05	9.94	1.77
160D	30.67	12.56	2.60

Refer to page Engineering-3 for Input Flange and Shaft details.
Refer to page Engineering-8 and Engineering-9 for driven shaft dimensions.
Refer to page RHB-354 for Twin Tapered Bushing details.

NOMENCLATURE PAGE RHB-5	MOUNTING POSITIONS PAGE RHB-11	STOCK/NON-STOCK PART NUMBERS PAGE RHB-50	WEIGHTS PAGE RHB-372
----------------------------	-----------------------------------	---	-------------------------

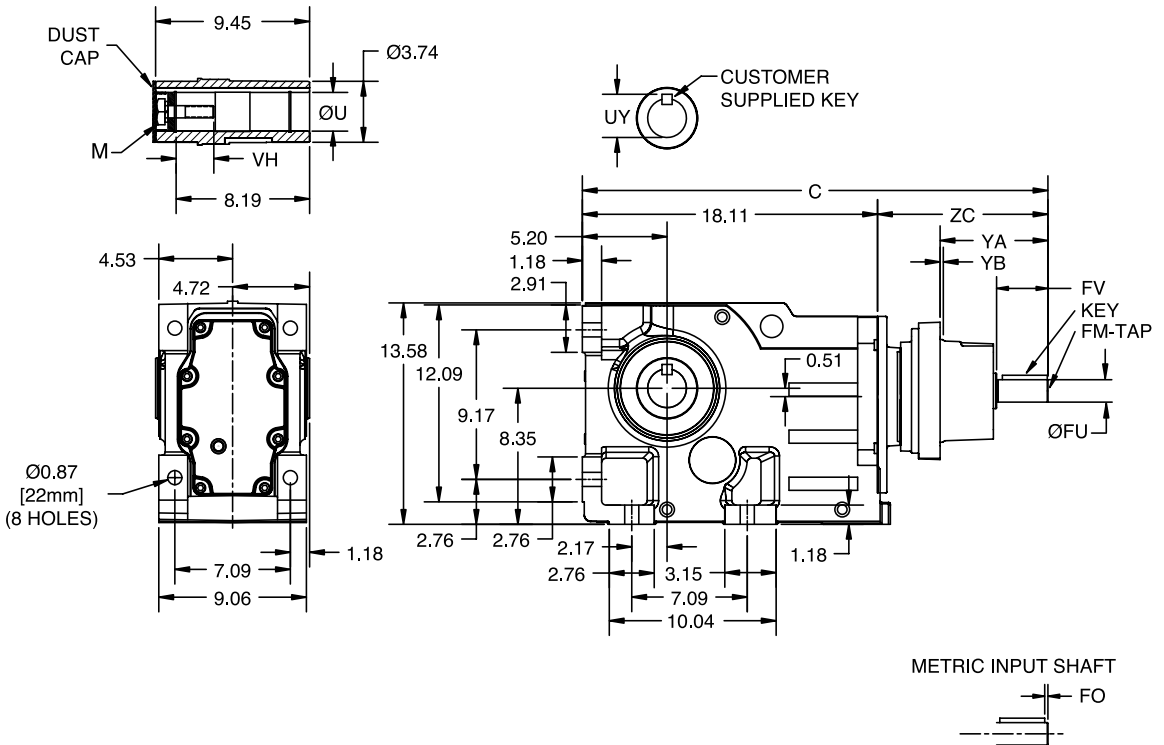
DIMENSIONS



RIGHT ANGLE HELICAL BEVEL (RHB)

SIZE: BB108

Separate - Foot Mounted
Triple Reduction
Straight Hollow Bore Output Shaft



NOMENCLATURE
PAGE RHB-5

MOUNTING POSITIONS
PAGE RHB-11

STOCK/NON-STOCK PART NUMBERS
PAGE RHB-50

WEIGHTS
PAGE RHB-372

RIGHT ANGLE HELICAL BEVEL (RHB)

SIZE: BB108

Separate - Foot Mounted
Triple Reduction
Straight Hollow Bore Output Shaft

STANDARD HOLLOW OUTPUT SHAFT

Dimension - Inch/MM

ØU	tol.	UY	VH	KEY	M
2.375	+0.0012 +0.0004	2.66	2.53	5/8 x 5/8 x 4-1/16	3/4-10 x 3 UNC
60	+0.029 +0.010	64	68	18 x 11 x 100	M20 x 80

OPTIONAL HOLLOW OUTPUT SHAFT

Dimension - Inch/MM

ØU	tol.	UY	VH	KEY	M
2.4375	+0.0012 +0.0004	2.72	2.51	5/8 x 5/8 x 4	3/4-10 x 3 UNC
70	+0.029 +0.010	75	67	20 x 12 x 110	M20 x 80

SEPARATE INPUT

Dimension - Inch/MM

	C	ZC	FO	FM x Depth	ØFU	tol.	FV	YA	YB	Key
80	24.41	6.30	---	1/4-20 UNC x 0.63	0.75	+0.0000 -0.0005	1.57	2.40	0.16	3/16 x 3/16 x 1-5/16
	620	160	4	M6 x 16	19	+0.015 +0.002	40			6 x 6 x 32
90	24.80	6.69	---	5/16-18 UNC x 0.75	0.875	+0.0000 -0.0005	1.97	2.80	0.16	3/16 x 3/16 x 1-5/8
	630	170	5	M8 x 19	24	+0.015 +0.002	50			8 x 7 x 40
100	25.31	7.20	---	3/8-16 UNC x 0.87	1.125	+0.0000 -0.0005	2.36	3.27	0.16	1/4" x 1/4 x 2
	643	183	5	M10 x 22	28	+0.015 +0.002	60			8 x 7 x 50
112	25.24	7.13	---	3/8-16 UNC x 0.87	1.250	+0.0000 -0.0005	2.36	3.27	0.16	1/4" x 1/4 x 2
	641	181	5	M10 x 22	28	+0.015 +0.002	60			8 x 7 x 50
132	28.58	10.47	---	3/8-16 UNC x 0.87	1.375	+0.0000 -0.0005	3.15	6.61	0.14	5/16 x 5/16 x 2-3/4
	726	266	5	M12 x 28	38	+0.018 +0.002	80			10 x 8 x 70
160	30.28	12.17	---	5/8-11 UNC x 1.42	1.625	+0.0000 -0.0010	4.33	8.46	0.14	3/8 x 3/8 x 3-1/2
	769	309	10	M16 x 36	42	+0.018 +0.002	110			12 x 8 x 90

Refer to page Engineering-4 for Input Flange and Shaft details.
Refer to page Engineering-8 and Engineering-9 for driven shaft dimensions.
Refer to page RHB-354 for Twin Tapered Bushing details.

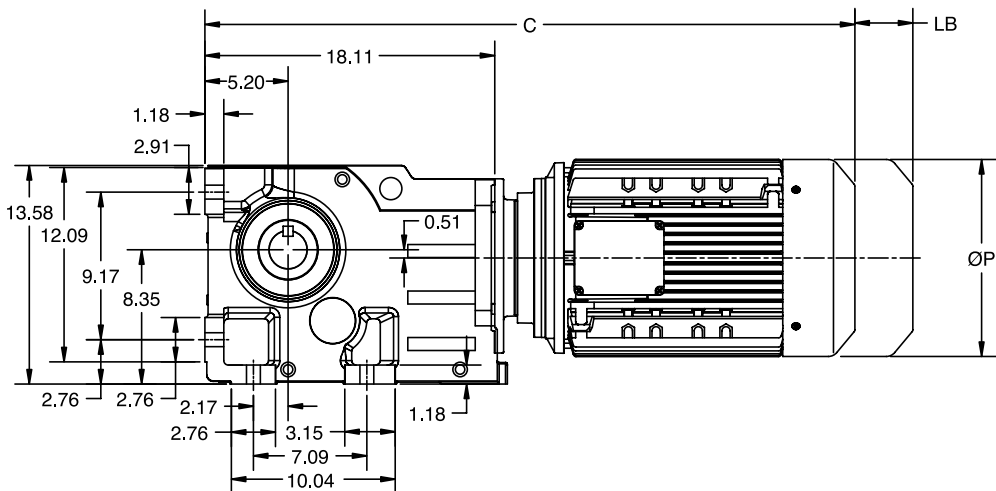
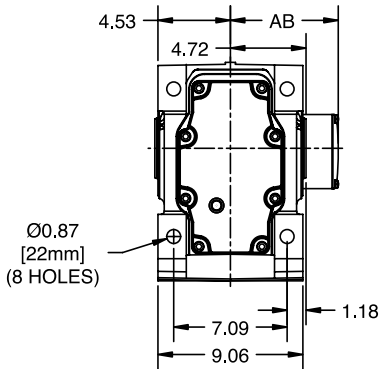
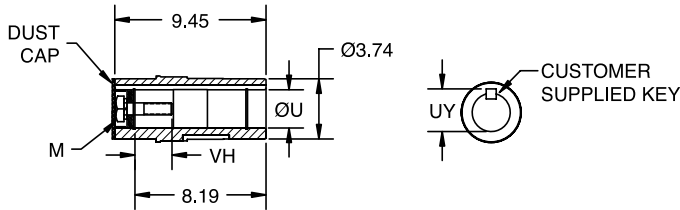
NOMENCLATURE PAGE RHB-5	MOUNTING POSITIONS PAGE RHB-11	STOCK/NON-STOCK PART NUMBERS PAGE RHB-50	WEIGHTS PAGE RHB-372
----------------------------	-----------------------------------	---	-------------------------

DIMENSIONS



RIGHT ANGLE HELICAL BEVEL (RHB) Integral Gearmotor - Foot Mounted Triple Reduction Straight Hollow Bore Output Shaft

SIZE: BB108



NOMENCLATURE
PAGE RHB-5

MOUNTING POSITIONS
PAGE RHB-11

STOCK/NON-STOCK PART NUMBERS
PAGE RHB-50

WEIGHTS
PAGE RHB-372

DIMENSIONS



RIGHT ANGLE HELICAL BEVEL (RHB)

SIZE: BB108

Integral Gearmotor - Foot Mounted
Triple Reduction
Straight Hollow Bore Output Shaft

STANDARD HOLLOW OUTPUT SHAFT

Dimension - Inch/MM

ØU	tol.	UY	VH	KEY	M
2.4375	+0.0012 +0.0004	2.66	2.53	5/8 x 5/8 x 4-1/16	3/4-10 x 3 UNC
60	+0.029 +0.010	64	68	18 x 11 x 100	M20 x 80

OPTIONAL HOLLOW OUTPUT SHAFT

Dimension - Inch/MM

ØU	tol.	UY	VH	KEY	M
2.4375	+0.0012 +0.0004	2.72	2.51	5/8 x 5/8 x 4	3/4-10 x 3 UNC
70	+0.029 +0.010	75	67	20 x 12 x 110	M20 x 80

MOTOR

Dimension - Inch/MM

Frame	C	LB	P	AB
80F4	27.75	2.56	6.19	5.12
	705	65	158	131
80G4	29.25	2.56	6.19	5.12
	743	65	158	131
90H4	29.18	2.52	7.19	5.79
	742	64	183	148
90I4	30.07	2.52	7.19	5.79
	764	64	183	148
100J4	31.97	2.91	7.19	5.79
	813	74	183	148
112L4	33.58	2.91	8.6	6.88
	853	74	219	175
132M4	35.14	3.90	10.28	8.09
	893	99	262	206
132N4	36.64	3.90	10.28	8.09
	931	99	262	206

Refer to page Engineering-8 and Engineering-9 for driven shaft dimensions.
Refer to page RHB-354 for Twin Tapered Bushing details.

NOMENCLATURE PAGE RHB-5	MOUNTING POSITIONS PAGE RHB-11	STOCK/NON-STOCK PART NUMBERS PAGE RHB-60	WEIGHTS PAGE RHB-372
----------------------------	-----------------------------------	---	-------------------------

DIMENSIONS



QUANTIS

QUANTIS GOLD

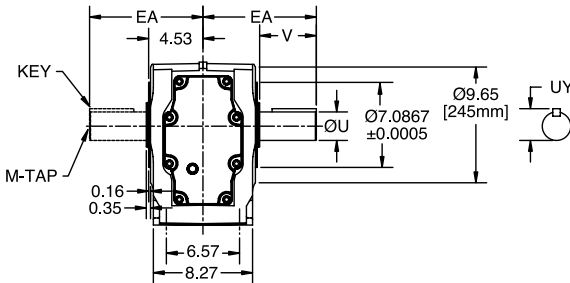
ILH

RHB

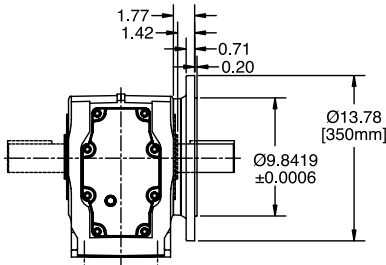
MSW

RIGHT ANGLE HELICAL BEVEL (RHB) NEMA C-Face - Flange Mounted (B5 / B14) - Clamp Collar - 3 Piece Coupled Triple Reduction Solid Output Shaft

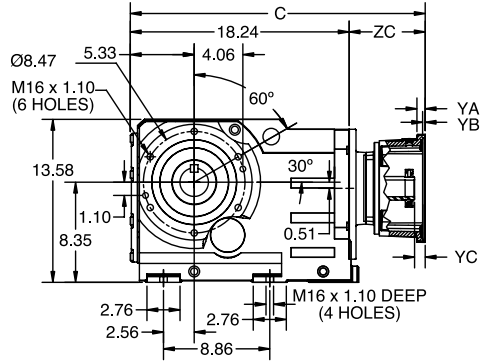
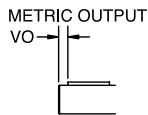
SIZE: BF108



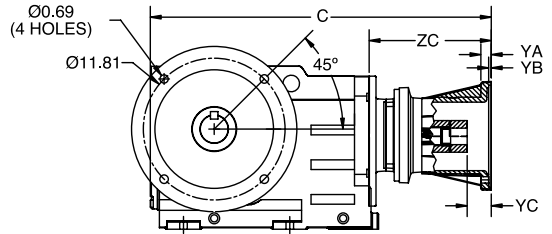
**B14 OUTPUT FLANGE -
Ø245mm**



**B5 OUTPUT FLANGE -
Ø350mm**



CLAMP COLLAR



THREE-PIECE COUPLED

NOMENCLATURE PAGE RHB-5	MOUNTING POSITIONS PAGE RHB-11	STOCK/NON-STOCK PART NUMBERS PAGE RHB-50	WEIGHTS PAGE RHB-372
----------------------------	-----------------------------------	---	-------------------------

DIMENSIONS



RIGHT ANGLE HELICAL BEVEL (RHB) NEMA C-Face - Flange Mounted (B5 / B14) - Clamp Collar - 3 Piece Coupled Triple Reduction Solid Output Shaft

SIZE: BF108

STANDARD SOLID OUTPUT SHAFT

Dimension - Inch/MM

ØU	tol.	UY	V	VO	KEY	M-TAP x DEPTH	EA
2.375	+0.000 -0.0010	2.65	4.72	-	5/8 x 5/8 x 3-11/16	3/4-10 UNC x 1.65	9.45
60	+0.030 +0.011	64	120	5	18 x 11 x 100	M20 x 42	240

OPTIONAL SOLID OUTPUT SHAFT

Dimension - Inch/MM

ØU	tol.	UY	V	VO	KEY	M-TAP x DEPTH	EA
3.1875	+0.000 -0.0010	3.52	6.69	-	3/4 x 3/4 x 5-3/8	3/4-10 UNC x 1.65	11.42
80	+0.030 +0.011	85	170	20	22 x 14 x 125	M20 x 42	290

NEMA MOTOR ADAPTER - CLAMP COLLAR

Dimension - Inch

	C	ZC	YA	YB	YC
140TC	21.41	3.17	0.47	0.20	0.67
180TC	22.77	4.53	0.73	0.22	0.91
210TC	24.66	6.42	0.69	0.22	0.89
250TC	24.60	6.36	0.95	0.20	1.13

NEMA MOTOR ADAPTER - 3 PIECE COUPLED

Dimension - Inch

	C	ZC	YA	YB	YC
140TC	25.21	6.97	0.55	0.20	1.10
180TC	26.27	8.03	0.73	0.22	1.65
210TC	28.42	10.18	0.87	0.22	2.01
250TC	30.37	12.13	0.95	0.20	2.17

Refer to page Engineering-2 for Input Flange and Shaft details.

NOMENCLATURE PAGE RHB-5	MOUNTING POSITIONS PAGE RHB-11	STOCK/NON-STOCK PART NUMBERS PAGE RHB-50	WEIGHTS PAGE RHB-372
----------------------------	-----------------------------------	---	-------------------------

DIMENSIONS



QUANTIS

QUANTIS GOLD

ILH

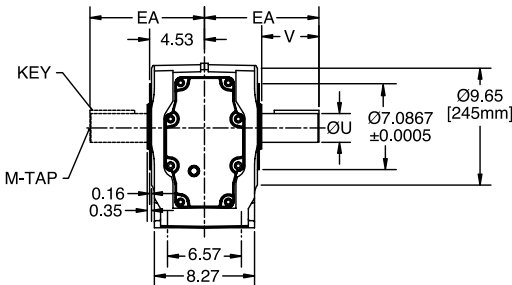
RHB

MSW

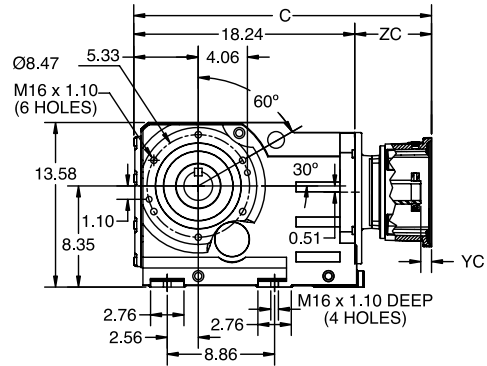
RIGHT ANGLE HELICAL BEVEL (RHB)

SIZE: BF108

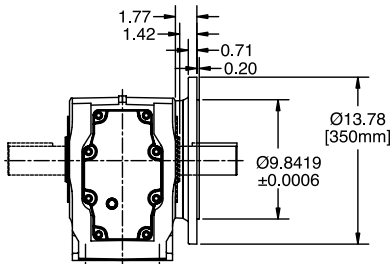
IEC D Flange (B5 Input) - Flange Mounted (B5 / B14) - Clamp Collar - 3 Piece Coupled
Triple Reduction
Solid Output Shaft



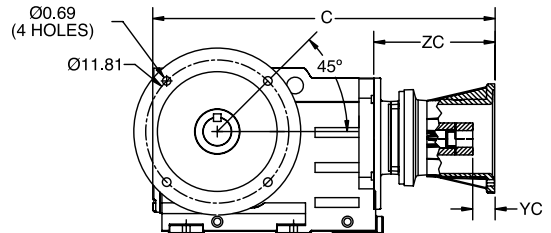
B14 OUTPUT FLANGE -
Ø245mm



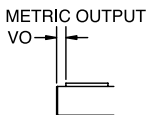
CLAMP COLLAR



B5 OUTPUT FLANGE -
Ø350mm



THREE-PIECE COUPLED



NOMENCLATURE
PAGE RHB-5

MOUNTING POSITIONS
PAGE RHB-11

STOCK/NON-STOCK PART NUMBERS
PAGE RHB-50

WEIGHTS
PAGE RHB-372

DIMENSIONS



RIGHT ANGLE HELICAL BEVEL (RHB) SIZE: BF108 IEC D Flange (B5 Input) - Flange Mounted (B5 / B14) - Clamp Collar - 3 Piece Coupled Triple Reduction Solid Output Shaft

STANDARD SOLID OUTPUT SHAFT Dimension - Inch/MM

ØU	tol.	UY	V	VO	KEY	M-TAP x DEPTH	EA
2.375	+0.000 -0.0010	2.65	4.72	-	5/8 x 5/8 x 3-11/16	3/4-10 UNC x 1.65	9.45
60	+0.030 +0.011	64	120	5	18 x 11 x 100	M20 x 42	240

OPTIONAL SOLID OUTPUT SHAFT Dimension - Inch/MM

ØU	tol.	UY	V	VO	KEY	M-TAP x DEPTH	EA
3.1875	+0.000 -0.0010	3.52	6.69	-	3/4 x 3/4 x 5-3/8	3/4-10 UNC x 1.65	11.42
80	+0.030 +0.011	85	170	20	22 x 14 x 125	M20 x 42	290

IEC MOTOR ADAPTER - CLAMP COLLAR Dimension - Inch

	C	ZC	YC
80D	20.90	2.66	0.61
90D	20.90	2.66	0.61
100D	21.09	2.85	0.28
112D	21.31	3.07	0.28
132D	22.93	4.69	0.87
160D	24.63	6.39	0.79

IEC MOTOR ADAPTER - 3 PIECE COUPLED Dimension - Inch

	C	ZC	YC
80D	25.13	6.89	0.59
90D	25.13	6.89	1.02
100D	25.92	7.68	1.18
112D	25.76	7.52	1.18
132D	28.18	9.94	1.77
160D	30.80	12.56	2.60

Refer to page Engineering-3 for Input Flange and Shaft details.

NOMENCLATURE PAGE RHB-5	MOUNTING POSITIONS PAGE RHB-11	STOCK/NON-STOCK PART NUMBERS PAGE RHB-50	WEIGHTS PAGE RHB-372
----------------------------	-----------------------------------	---	-------------------------

DIMENSIONS



QUANTIS

QUANTIS GOLD

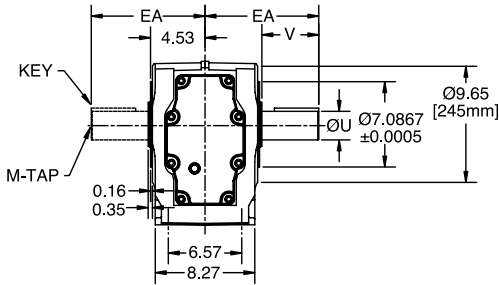
ILH

RHB

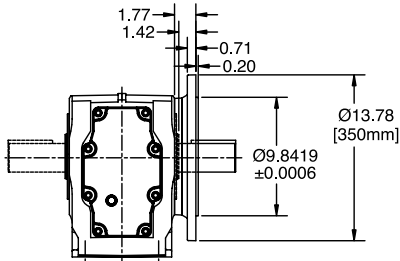
MSW

RIGHT ANGLE HELICAL BEVEL (RHB) Separate - Flange Mounted (B5 / B14) Triple Reduction Solid Output Shaft

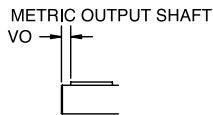
SIZE: BF108



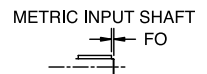
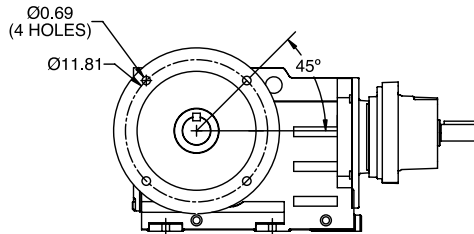
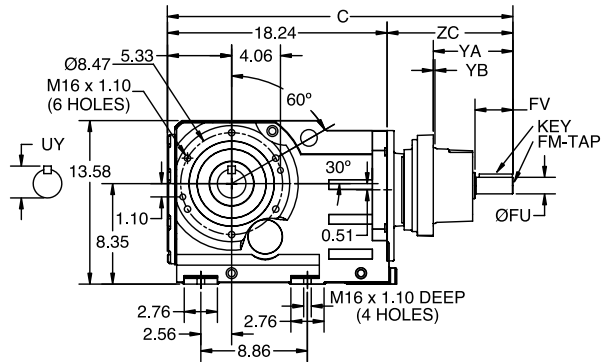
**B14 OUTPUT FLANGE -
Ø245mm**



**B5 OUTPUT FLANGE -
Ø350mm**



METRIC OUTPUT SHAFT
VO



METRIC INPUT SHAFT
FO

NOMENCLATURE
PAGE RHB-5

MOUNTING POSITIONS
PAGE RHB-11

STOCK/NON-STOCK PART NUMBERS
PAGE RHB-50

WEIGHTS
PAGE RHB-372

RIGHT ANGLE HELICAL BEVEL (RHB) Separate - Flange Mounted (B5 / B14) Triple Reduction Solid Output Shaft

SIZE: BF108

STANDARD SOLID OUTPUT SHAFT

Dimension - Inch/MM

ØU	tol.	UY	V	VO	KEY	M-TAP x DEPTH	EA
2.375	+0.000 -0.0010	2.65	4.72	-	5/8 x 5/8 x 3-11/16	3/4-10 UNC x 1.65	9.45
60	+0.030 +0.011	64	120	5	18 x 11 x 100	M20 x 42	240

OPTIONAL SOLID OUTPUT SHAFT

Dimension - Inch/MM

ØU	tol.	UY	V	VO	KEY	M-TAP x DEPTH	EA
3.1875	+0.000 -0.0010	3.52	6.69	-	3/4 x 3/4 x 5-3/8	3/4-10 UNC x 1.65	11.42
80	+0.030 +0.011	85	170	20	22 x 14 x 125	M20 x 42	290

SEPARATE INPUT

Dimension - Inch/MM

	C	ZC	FO	FM x Depth	ØFU	tol.	FV	YA	YB	Key
80	24.54	6.30	---	1/4-20 UNC x 0.63	0.750	+0.0000 -0.0005	1.57	2.40	0.16	3/16 x 3/16 x 1-5/16
	623	160	4	M6 x 16	19	+0.015 +0.002	40			6 x 6 x 32
90	24.93	6.69	---	5/16-18 UNC x 0.75	0.875	+0.0000 -0.0005	1.97	2.80	0.16	3/16 x 3/16 x 1-5/8
	633	170	5	M8 x 19	24	+0.015 +0.002	50			8 x 7 x 40
100	25.44	7.20	---	3/8-16 UNC x 0.87	1.125	+0.0000 -0.0005	2.36	3.27	0.16	1/4/ x 1/4 x 2
	647	183	5	M10 x 22	28	+0.015 +0.002	60			8 x 7 x 50
112	25.37	7.13	---	3/8-16 UNC x 0.87	1.250	+0.0000 -0.0005	2.36	3.27	0.16	1/4/ x 1/4 x 2
	645	181	5	M10 x 22	28	+0.015 +0.002	60			8 x 7 x 50
132	28.71	10.47	---	3/8-16 UNC x 0.87	1.375	+0.0000 -0.0005	3.15	6.61	0.14	5/16 x 5/16 x 2-3/4
	729	266	5	M12 x 28	38	+0.018 +0.002	80			10 x 8 x 70
160	30.41	12.17	---	5/8-11 UNC x 1.42	1.625	+0.0000 -0.0010	4.33	8.46	0.14	3/8 x 3/8 x 3-1/2
	773	309	10	M16 x 36	42	+0.018 +0.002	110			12 x 8 x 90

Refer to page Engineering-4 for Input Flange and Shaft details.

NOMENCLATURE PAGE RHB-5	MOUNTING POSITIONS PAGE RHB-11	STOCK/NON-STOCK PART NUMBERS PAGE RHB-50	WEIGHTS PAGE RHB-372
----------------------------	-----------------------------------	---	-------------------------

DIMENSIONS



RIGHT ANGLE HELICAL BEVEL (RHB) Integral Gearmotor - Flange Mounted (B5 / B14) Triple Reduction Solid Output Shaft

SIZE: BF108

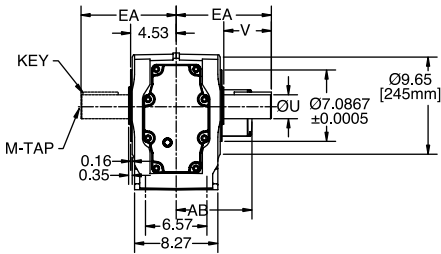
QUANTIS

QUANTIS GOLD

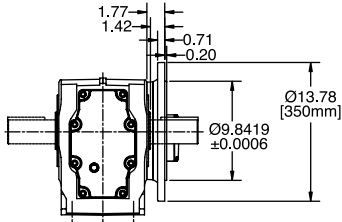
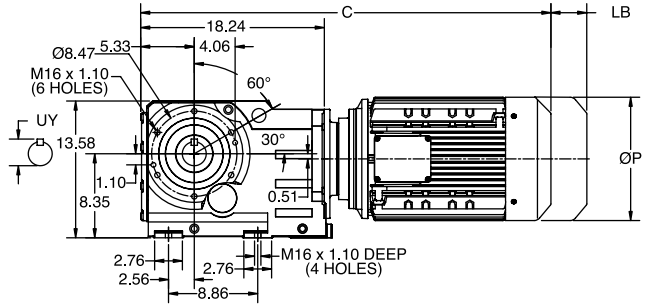
ILH

RHB

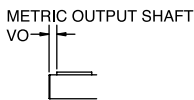
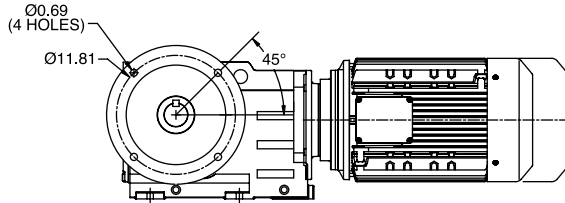
MSW



**B14 OUTPUT FLANGE -
Ø245mm**



**B5 OUTPUT FLANGE -
Ø350mm**



NOMENCLATURE PAGE RHB-5	MOUNTING POSITIONS PAGE RHB-11	STOCK/NON-STOCK PART NUMBERS PAGE RHB-50	WEIGHTS PAGE RHB-372
----------------------------	-----------------------------------	---	-------------------------

DIMENSIONS



RIGHT ANGLE HELICAL BEVEL (RHB) Integral Gearmotor - Flange Mounted (B5 / B14) Triple Reduction Solid Output Shaft

SIZE: BF108

STANDARD SOLID OUTPUT SHAFT

Dimension - Inch/MM

ØU	tol.	UY	V	VO	KEY	M-TAP x DEPTH	EA
2.375	+0.000 -0.0010	2.65	4.72	-	5/8 x 5/8 x 3-11/16	3/4-10 UNC x 1.65	9.45
60	+0.030 +0.011	64	120	5	18 x 11 x 100	M20 x 42	240

OPTIONAL SOLID OUTPUT SHAFT

Dimension - Inch/MM

ØU	tol.	UY	V	VO	KEY	M-TAP x DEPTH	EA
3.1875	+0.000 -0.0010	3.52	6.69	-	3/4 x 3/4 x 5-3/8	3/4-10 UNC x 1.65	11.42
80	+0.030 +0.011	85	170	20	22 x 14 x 125	M20 x 42	290

MOTOR

Dimension - Inch/MM

Frame	C	LB	P	AB
80F4	27.89	2.56	6.19	5.12
	709	65	158	131
80G4	29.39	2.56	6.19	5.12
	747	65	158	131
90H4	29.32	2.52	7.19	5.79
	745	64	183	148
90I4	30.2	2.52	7.19	5.79
	768	64	183	148
100J4	32.11	2.91	7.19	5.79
	816	74	183	148
112L4	33.72	2.91	8.6	6.88
	857	74	219	175
132M4	35.28	3.9	10.28	8.09
	897	99	262	206
132N4	36.78	3.9	10.28	8.09
	935	99	262	206

NOMENCLATURE PAGE RHB-5	MOUNTING POSITIONS PAGE RHB-11	STOCK/NON-STOCK PART NUMBERS PAGE RHB-50	WEIGHTS PAGE RHB-372
----------------------------	-----------------------------------	---	-------------------------

DIMENSIONS



QUANTIS

QUANTIS GOLD

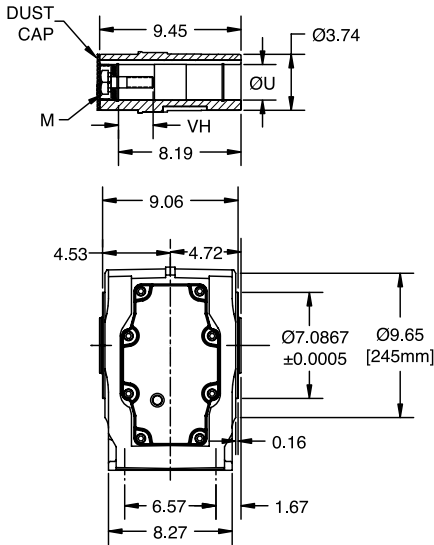
ILH

RHB

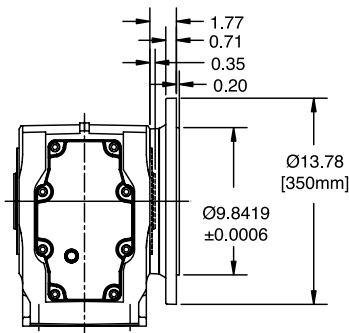
MSW

RIGHT ANGLE HELICAL BEVEL (RHB) NEMA C-Face - Flange Mounted (B5 / B14) - Clamp Collar / 3 Piece Coupled Triple Reduction Straight Hollow Bore Output Shaft

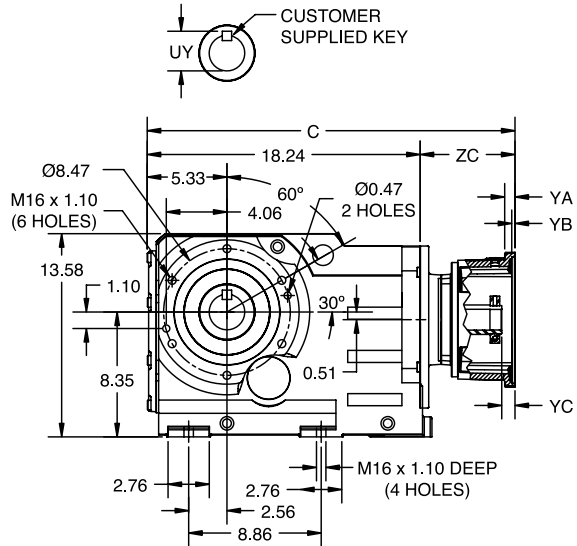
SIZE: BF108



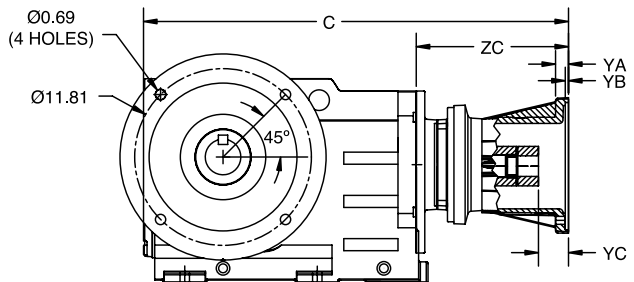
B14 OUTPUT FLANGE - Ø245mm



B5 OUTPUT FLANGE - Ø350mm



CLAMP COLLAR



THREE-PIECE COUPLED

NOMENCLATURE PAGE RHB-5	MOUNTING POSITIONS PAGE RHB-11	STOCK/NON-STOCK PART NUMBERS PAGE RHB-50	WEIGHTS PAGE RHB-372
----------------------------	-----------------------------------	---	-------------------------

DIMENSIONS



RIGHT ANGLE HELICAL BEVEL (RHB) NEMA C-Face - Flange Mounted (B5 / B14) - Clamp Collar / 3 Piece Coupled Triple Reduction Straight Hollow Bore Output Shaft

SIZE: BF108

STANDARD HOLLOW OUTPUT SHAFT

Dimension - Inch/MM

ØU	tol.	UY	VH	KEY	M
2.375	+0.0012 +0.0004	2.66	2.53	5/8 x 5/8 x 4-1/16	3/4-10 x 3 UNC
60	+0.029 +0.010	64	68	18 x 11 x 100	M20 x 80

OPTIONAL HOLLOW OUTPUT SHAFT

Dimension - Inch/MM

ØU	tol.	UY	VH	KEY	M
2.4375	+0.0012 +0.0004	2.72	2.51	5/8 x 5/8 x 4	3/4-10 x 3 UNC
70	+0.029 +0.010	75	67	20 x 12 x 110	M20 x 80

NEMA MOTOR ADAPTER - CLAMP COLLAR

Dimension - Inch

	C	ZC	YA	YB	YC
140TC	21.41	3.17	0.47	0.20	0.67
180TC	22.77	4.53	0.73	0.22	0.91
210TC	24.66	6.42	0.69	0.22	0.89
250TC	24.60	6.36	0.95	0.20	1.13

NEMA MOTOR ADAPTER - 3 PIECE COUPLED

Dimension - Inch

	C	ZC	YA	YB	YC
140TC	25.21	6.97	0.55	0.20	1.10
180TC	26.27	8.03	0.73	0.22	1.65
210TC	28.42	10.18	0.87	0.22	2.01
250TC	30.37	12.13	0.95	0.20	2.17

Refer to page Engineering-2 for Input Flange and Shaft details.

Refer to page Engineering-8 and Engineering-9 for driven shaft dimensions.

Refer to page RHB-354 for Twin Tapered Bushing details.

NOMENCLATURE PAGE RHB-5	MOUNTING POSITIONS PAGE RHB-11	STOCK/NON-STOCK PART NUMBERS PAGE RHB-50	WEIGHTS PAGE RHB-372
----------------------------	-----------------------------------	---	-------------------------

DIMENSIONS



QUANTIS

QUANTIS GOLD

ILH

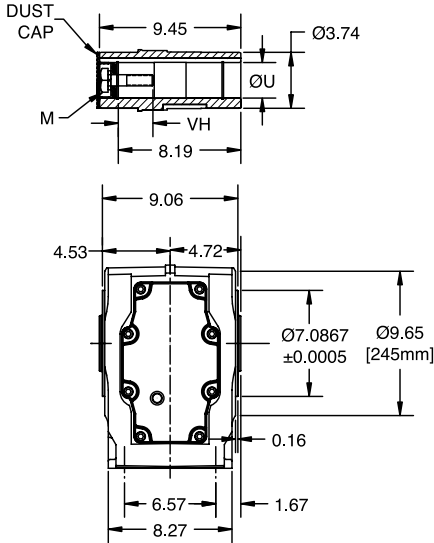
RHB

MSW

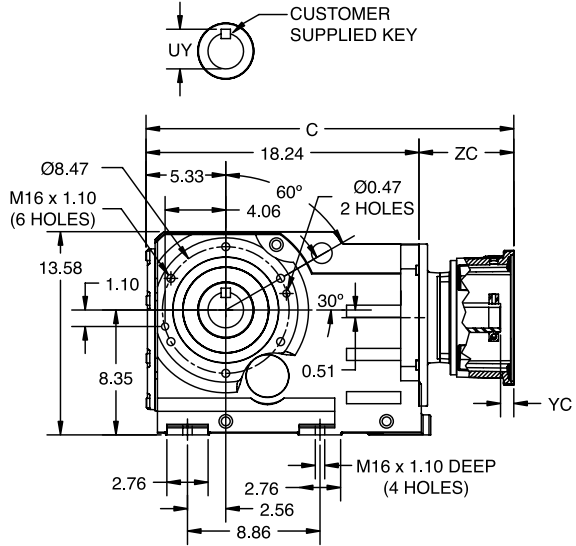
RIGHT ANGLE HELICAL BEVEL (RHB)

SIZE: BF108

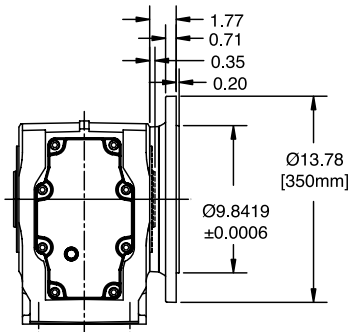
IEC D Flange (B5 Flange) - Flange Mounted (B5 / B14) - Clamp Collar / 3 Piece Coupled
Triple Reduction
Straight Hollow Bore Output Shaft



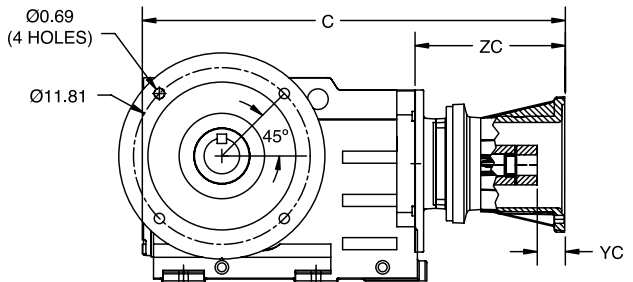
**B14 OUTPUT FLANGE -
Ø245mm**



CLAMP COLLAR



**B5 OUTPUT FLANGE -
Ø350mm**



THREE-PIECE COUPLED

NOMENCLATURE PAGE RHB-5	MOUNTING POSITIONS PAGE RHB-11	STOCK/NON-STOCK PART NUMBERS PAGE RHB-50	WEIGHTS PAGE RHB-372
----------------------------	-----------------------------------	---	-------------------------

DIMENSIONS



RIGHT ANGLE HELICAL BEVEL (RHB) SIZE: BF108 IEC D Flange (B5 Flange) - Flange Mounted (B5 / B14) - Clamp Collar / 3 Piece Coupled Triple Reduction Straight Hollow Bore Output Shaft

STANDARD HOLLOW OUTPUT SHAFT Dimension - Inch/MM

ØU	tol.	UY	VH	KEY	M
2.375	+0.0012 +0.0004	2.66	2.53	5/8 x 5/8 x 4-1/16	3/4-10 x 3 UNC
60	+0.029 +0.010	64	68	18 x 11 x 100	M20 x 80

OPTIONAL HOLLOW OUTPUT SHAFT Dimension - Inch/MM

ØU	tol.	UY	VH	KEY	M
2.4375	+0.0012 +0.0004	2.72	2.51	5/8 x 5/8 x 4	3/4-10 x 3 UNC
70	+0.029 +0.010	75	67	20 x 12 x 110	M20 x 80

IEC MOTOR ADAPTER - CLAMP COLLAR Dimension - Inch

	C	ZC	YC
80D	20.90	2.66	0.61
90D	20.90	2.66	0.61
100D	21.09	2.85	0.28
112D	21.31	3.07	0.28
132D	22.93	4.69	0.87
160D	24.63	6.39	0.79

IEC MOTOR ADAPTER - 3 PIECE COUPLED Dimension - Inch

	C	ZC	YC
80D	25.13	6.89	0.59
90D	25.13	6.89	1.02
100D	25.92	7.68	1.18
112D	25.76	7.52	1.18
132D	28.18	9.94	1.77
160D	30.80	12.56	2.60

Refer to page Engineering-3 for Input Flange and Shaft details.
 Refer to page Engineering-8 and Engineering-9 for driven shaft dimensions.
 Refer to page RHB-354 for Twin Tapered Bushing details.

NOMENCLATURE PAGE RHB-5	MOUNTING POSITIONS PAGE RHB-11	STOCK/NON-STOCK PART NUMBERS PAGE RHB-50	WEIGHTS PAGE RHB-372
----------------------------	-----------------------------------	---	-------------------------

DIMENSIONS



RIGHT ANGLE HELICAL BEVEL (RHB) Separate - Flange Mounted (B5 / B14) Triple Reduction Straight Hollow Bore Output Shaft

SIZE: BF108

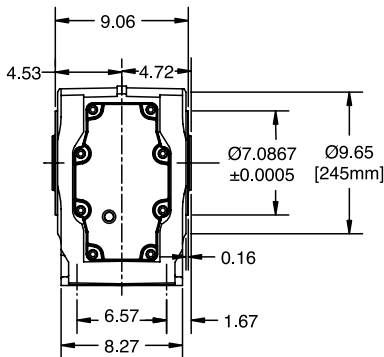
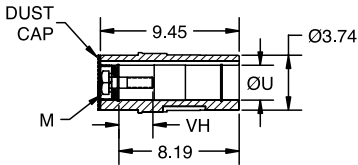
QUANTIS

QUANTIS GOLD

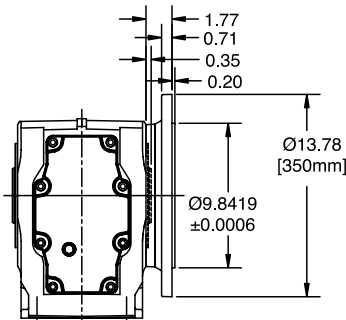
ILH

RHB

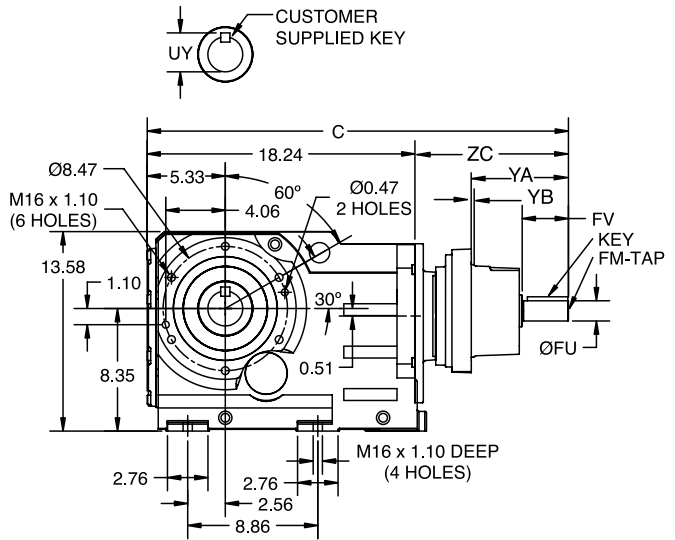
MSW



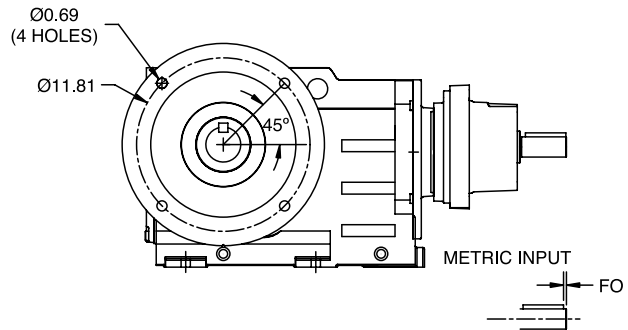
**B14 OUTPUT FLANGE -
Ø245mm**



**B5 OUTPUT FLANGE -
Ø350mm**



CLAMP COLLAR



THREE-PIECE COUPLED

NOMENCLATURE PAGE RHB-5	MOUNTING POSITIONS PAGE RHB-11	STOCK/NON-STOCK PART NUMBERS PAGE RHB-50	WEIGHTS PAGE RHB-372
----------------------------	-----------------------------------	---	-------------------------

RIGHT ANGLE HELICAL BEVEL (RHB) Separate - Flange Mounted (B5 / B14) Triple Reduction Straight Hollow Bore Output Shaft

SIZE: BF108

QUANTIS

QUANTIS GOLD

ILH

RHB

MSM

STANDARD HOLLOW OUTPUT SHAFT

Dimension - Inch/MM

ØU	tol.	UY	VH	KEY	M
2.375	+0.0012 +0.0004	2.66	2.53	5/8 x 5/8 x 4-1/16	3/4-10 x 3 UNC
60	+0.029 +0.010	64	68	18 x 11 x 100	M20 x 80

OPTIONAL HOLLOW OUTPUT SHAFT

Dimension - Inch/MM

ØU	tol.	UY	VH	KEY	M
2.4375	+0.0012 +0.0004	2.72	2.51	5/8 x 5/8 x 4	3/4-10 x 3 UNC
70	+0.029 +0.010	75	67	20 x 12 x 110	M20 x 80

SEPARATE INPUT

Dimension - Inch/MM

	C	ZC	FO	FM x Depth	ØFU	tol.	FV	YA	YB	Key
80	24.54	6.30	---	1/4-20 UNC x 0.63	0.75	+0.0000 -0.0005	1.57	2.40	0.16	3/16 x 3/16 x 1-5/16
	623	160	4	M6 x 16	19	+0.015 +0.002	40			6 x 6 x 32
90	24.93	6.69	---	5/16-18 UNC x 0.75	0.875	+0.0000 -0.0005	1.97	2.80	0.16	3/16 x 3/16 x 1-5/8
	633	170	5	M8 x 19	24	+0.015 +0.002	50			8 x 7 x 40
100	24.54	7.20	---	3/8-16 UNC x 0.87	1.125	+0.0000 -0.0005	2.36	3.27	0.16	1/4 x 1/4 x 2
	647	183	5	M10 x 22	28	+0.015 +0.002	60			8 x 7 x 50
112	25.37	7.13	---	3/8-16 UNC x 0.87	1.250	+0.0000 -0.0005	2.36	3.27	0.16	1/4 x 1/4 x 2
	645	181	5	M10 x 22	28	+0.015 +0.002	60			8 x 7 x 50
132	28.71	10.47	---	3/8-16 UNC x 0.87	1.375	+0.0000 -0.0005	3.15	6.61	0.14	5/16 x 5/16 x 2-3/4
	729	266	5	M12 x 28	38	+0.018 +0.002	80			10 x 8 x 70
160	30.41	12.17	---	5/8-11 UNC x 1.42	1.625	+0.0000 -0.0010	4.33	8.46	0.14	3/8 x 3/8 x 3-1/2
	773	309	10	M16 x 36	42	+0.018 +0.002	110			12 x 8 x 90

Refer to page Engineering-4 for Input Flange and Shaft details.
Refer to page Engineering-8 and Engineering-9 for driven shaft dimensions.
Refer to page RHB-354 for Twin Tapered Bushing details.

NOMENCLATURE PAGE RHB-5	MOUNTING POSITIONS PAGE RHB-11	STOCK/NON-STOCK PART NUMBERS PAGE RHB-50	WEIGHTS PAGE RHB-372
----------------------------	-----------------------------------	---	-------------------------

DIMENSIONS



RIGHT ANGLE HELICAL BEVEL (RHB) Integral Gearmotor - Flange Mounted (B5 / B14) Triple Reduction Straight Hollow Bore Output Shaft

SIZE: BF108

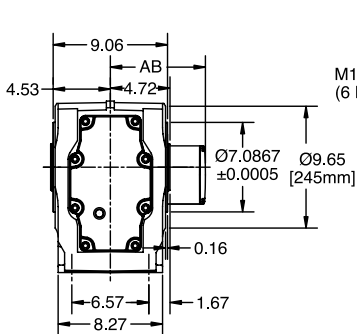
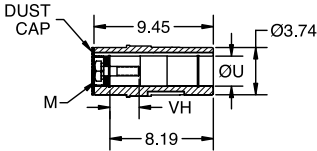
QUANTIS

QUANTIS GOLD

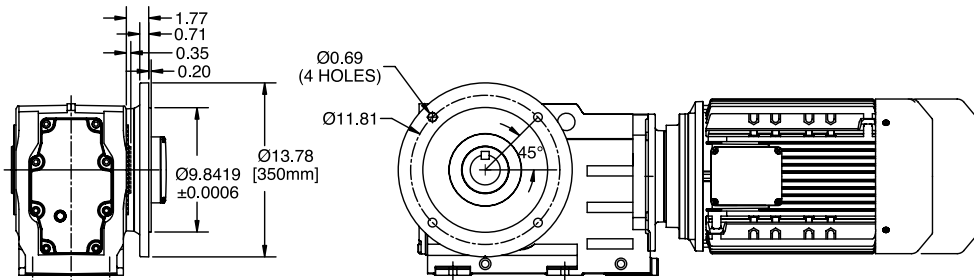
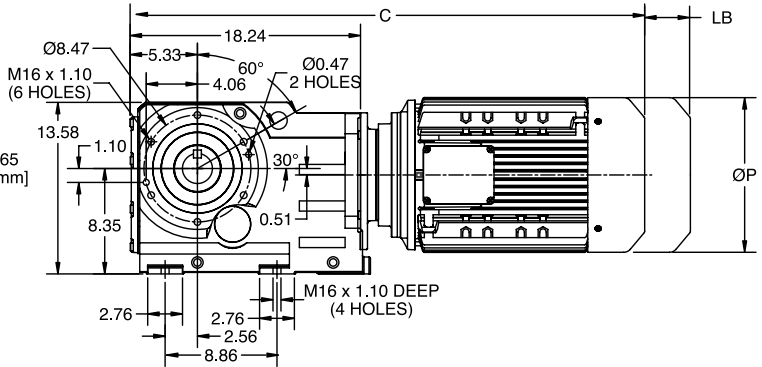
ILH

RHB

MSW



**B14 OUTPUT FLANGE -
Ø245mm**



**B5 OUTPUT FLANGE -
Ø350mm**

NOMENCLATURE PAGE RHB-5	MOUNTING POSITIONS PAGE RHB-11	STOCK/NON-STOCK PART NUMBERS PAGE RHB-50	WEIGHTS PAGE RHB-372
----------------------------	-----------------------------------	---	-------------------------

DIMENSIONS



RIGHT ANGLE HELICAL BEVEL (RHB) Integral Gearmotor - Flange Mounted (B5 / B14) Triple Reduction Straight Hollow Bore Output Shaft

SIZE: BF108

QUANTIS

QUANTIS GOLD

ILH

RHB

MSM

STANDARD HOLLOW OUTPUT SHAFT

Dimension - Inch/MM

ØU	tol.	UY	VH	KEY	M
2.375	+0.0012 +0.0004	2.65	2.53	5/8 x 5/8 x 4-1/16	3/4-10 x 3 UNC
60	+0.029 +0.010	64	68	18 x 11 x 100	M20 x 80

OPTIONAL HOLLOW OUTPUT SHAFT

Dimension - Inch/MM

ØU	tol.	UY	VH	KEY	M
2.4375	+0.0012 +0.0004	2.72	2.51	5/8 x 5/8 x 4	3/4-10 x 3 UNC
70	+0.029 +0.010	75	67	20 x 12 x 110	M20 x 80

MOTOR

Dimension - Inch/MM

Frame	C	LB	P	AB
80F4	27.89	2.56	6.19	5.12
	709	65	158	131
80G4	29.39	2.56	6.19	5.12
	747	65	158	131
90H4	29.32	2.52	7.19	5.79
	745	64	183	148
90I4	30.2	2.52	7.19	5.79
	768	64	183	148
100J4	32.11	2.91	7.19	5.79
	816	74	183	148
112L4	33.72	2.91	8.60	6.88
	857	81	219	175
132M4	35.28	3.9	10.28	8.09
	897	99	262	206
132N4	36.78	3.9	10.28	8.09
	935	99	262	206

Refer to page Engineering-8 and Engineering-9 for driven shaft dimensions.
Refer to page RHB-354 for Twin Tapered Bushing details.

NOMENCLATURE PAGE RHB-5	MOUNTING POSITIONS PAGE RHB-11	STOCK/NON-STOCK PART NUMBERS PAGE RHB-60	WEIGHTS PAGE RHB-372
----------------------------	-----------------------------------	---	-------------------------

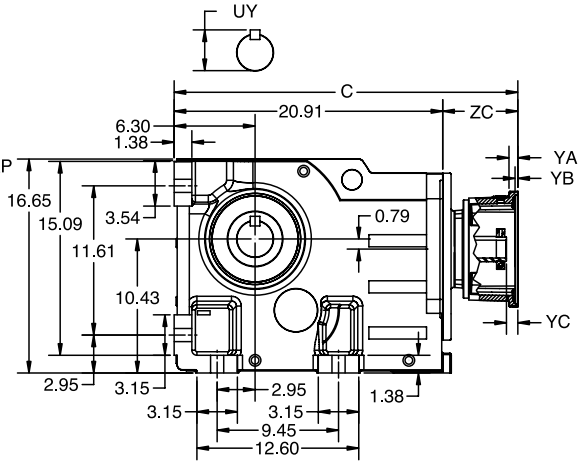
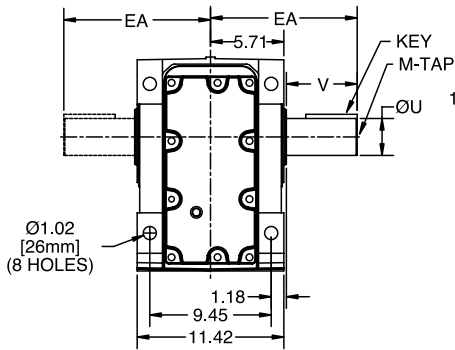
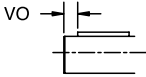
DIMENSIONS



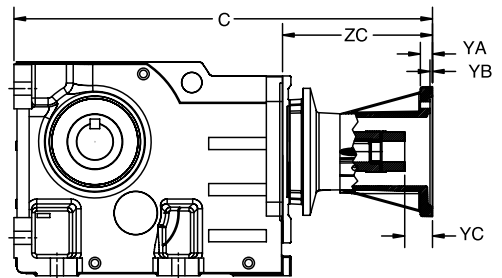
RIGHT ANGLE HELICAL BEVEL (RHB) NEMA C-Face - Foot Mounted - Clamp Collar / 3 Piece Coupled Triple Reduction Solid Output Shaft

SIZE: BB128

METRIC OUTPUT SHAFT



CLAMP COLLAR



THREE-PIECE COUPLED

QUANTIS

QUANTIS GOLD

ILH

RHB

MSW

NOMENCLATURE PAGE RHB-5	MOUNTING POSITIONS PAGE RHB-11	STOCK/NON-STOCK PART NUMBERS PAGE RHB-50	WEIGHTS PAGE RHB-372
----------------------------	-----------------------------------	---	-------------------------

RIGHT ANGLE HELICAL BEVEL (RHB)
NEMA C-Face - Foot Mounted - Clamp Collar / 3 Piece Coupled
Triple Reduction
Solid Output Shaft

SIZE: BB128

STANDARD SOLID OUTPUT SHAFT

Dimension - Inch/MM

ØU	tol.	UY	V	VO	KEY	M-TAP x DEPTH	EA
2.875	+0.0000 -0.0010	3.21	5.51	-	3/4 x 3/4 x 4	3/4-10 UNC x 1.65	11.42
70	+0.035 +0.013	75	140	8	20 x 12 x 125	M20 x 42	290

OPTIONAL SOLID OUTPUT SHAFT

Dimension - Inch/MM

ØU	tol.	UY	V	VO	KEY	M-TAP x DEPTH	EA
3.625	+0.0000 -0.0010	4.01	6.69	-	7/8 x 7/8 x 5-5/8	1-8 UNC x 1.97	12.60
90	+0.035 +0.013	95	170	15	25 x 14 x 140	M24 x 50	320

NEMA MOTOR ADAPTER - CLAMP COLLAR

Dimension - Inch

	C	ZC	YA	YB	YC
140TC	23.55	2.64	0.47	0.20	0.67
180TC	24.86	3.95	0.69	0.22	0.93
210TC	26.76	5.85	0.69	0.22	0.89
250TC	26.74	5.83	0.94	0.20	1.13
280TC	27.54	6.63	0.94	0.20	1.30

NEMA MOTOR ADAPTER - 3 PIECE COUPLED

Dimension - Inch

	C	ZC	YA	YB	YC
140TC	27.42	6.52	0.55	0.20	1.10
180TC	28.58	7.68	0.87	0.22	1.65
210TC	30.59	9.69	0.87	0.22	2.01
250TC	32.58	11.67	0.94	0.20	2.17
280TC	35.28	14.37	0.94	0.20	2.57

Refer to page Engineering-2 for Input Flange and Shaft details

NOMENCLATURE PAGE RHB-5	MOUNTING POSITIONS PAGE RHB-11	STOCK/NON-STOCK PART NUMBERS PAGE RHB-50	WEIGHTS PAGE RHB-372
----------------------------	-----------------------------------	---	-------------------------

DIMENSIONS



QUANTIS

QUANTIS GOLD

ILH

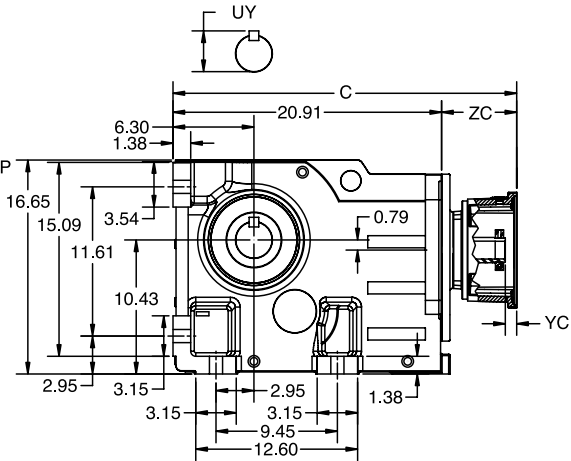
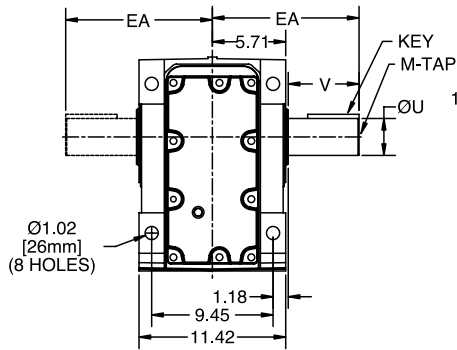
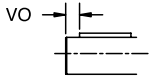
RHB

MSW

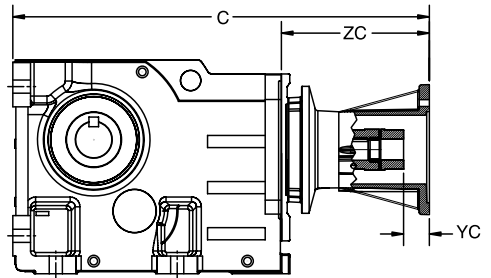
RIGHT ANGLE HELICAL BEVEL (RHB)
IEC D Flange (B5 Input) - Foot Mounted - Clamp Collar / 3 Piece Coupled
Triple Reduction
Solid Output Shaft

SIZE: BB128

METRIC OUTPUT SHAFT



CLAMP COLLAR



THREE-PIECE COUPLED

NOMENCLATURE PAGE RHB-5	MOUNTING POSITIONS PAGE RHB-11	STOCK/NON-STOCK PART NUMBERS PAGE RHB-50	WEIGHTS PAGE RHB-372
----------------------------	-----------------------------------	---	-------------------------

DIMENSIONS



RIGHT ANGLE HELICAL BEVEL (RHB) IEC D Flange (B5 Input) - Foot Mounted - Clamp Collar / 3 Piece Coupled Triple Reduction Solid Output Shaft

SIZE: BB128

STANDARD SOLID OUTPUT SHAFT

Dimension - Inch/MM

ØU	tol.	UY	V	VO	KEY	M-TAP x DEPTH	EA
2.875	+0.0000 -0.0010	3.21	5.51	-	3/4 x 3/4 x 4	3/4-10 UNC x 1.65	11.42
70	+0.035 +0.013	75	140	8	20 x 12 x 125	M20 x 42	290

OPTIONAL SOLID OUTPUT SHAFT

Dimension - Inch/MM

ØU	tol.	UY	V	VO	KEY	M-TAP x DEPTH	EA
3.625	+0.0000 -0.0010	4.01	6.69	-	7/8 x 7/8 x 5-5/8	1-8 UNC x 1.97	12.60
90	+0.035 +0.013	95	170	15	25 x 14 x 140	M24 x 50	320

IEC MOTOR ADAPTER - CLAMP COLLAR

Dimension - Inch

	C	ZC	YC
90D	23.11	2.20	0.61
100D	23.29	2.38	0.28
112D	23.53	2.62	0.28
132D	25.10	4.19	0.87
160D	26.84	5.93	0.79
180D	27.37	6.46	0.85
200D	27.76	6.85	1.18

IEC MOTOR ADAPTER - 3 PIECE COUPLED

Dimension - Inch

	C	ZC	YC
90D	27.34	6.43	1.02
100D	28.11	7.20	1.18
112D	27.98	7.07	1.18
132D	30.36	9.45	1.77
160D	33.01	12.10	2.60
180D	35.00	14.09	2.32
200D	35.04	14.13	2.36

Refer to page Engineering-3 for Input Flange and Shaft details.

NOMENCLATURE PAGE RHB-5	MOUNTING POSITIONS PAGE RHB-11	STOCK/NON-STOCK PART NUMBERS PAGE RHB-50	WEIGHTS PAGE RHB-372
----------------------------	-----------------------------------	---	-------------------------

DIMENSIONS

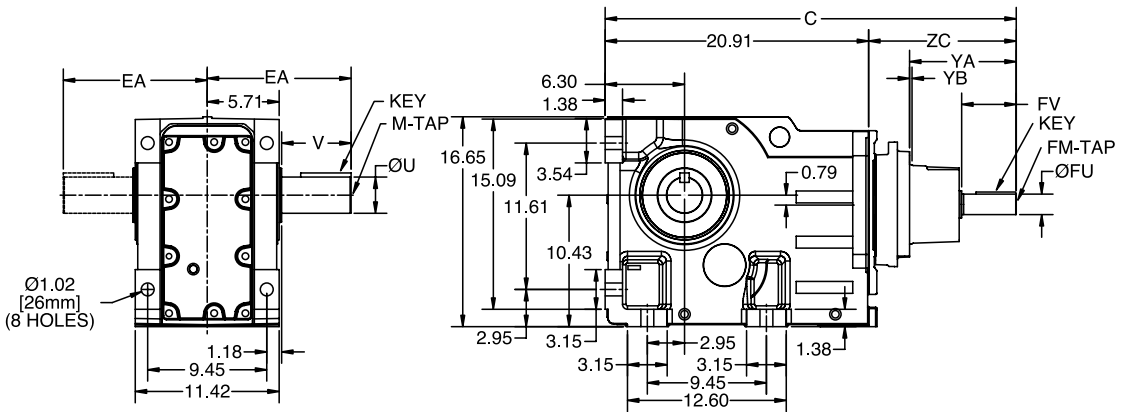
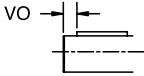


RIGHT ANGLE HELICAL BEVEL (RHB)

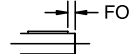
SIZE: BB128

Separate - Foot Mounted
Triple Reduction
Solid Output Shaft

METRIC OUTPUT SHAFT



METRIC INPUT SHAFT



NOMENCLATURE
PAGE RHB-5

MOUNTING POSITIONS
PAGE RHB-11

STOCK/NON-STOCK PART NUMBERS
PAGE RHB-50

WEIGHTS
PAGE RHB-372

RIGHT ANGLE HELICAL BEVEL (RHB)

SIZE: BB128

Separate - Foot Mounted
Triple Reduction
Solid Output Shaft

STANDARD SOLID OUTPUT SHAFT

Dimension - Inch/MM

ØU	tol.	UY	V	VO	KEY	M-TAP x DEPTH	EA
2.875	+0.0000 -0.0010	3.21	5.51	-	3/4 x 3/4 x 4	3/4-10 UNC x 1.65	11.42
70	+0.035 +0.013	75	140	8	20 x 12 x 125	M20 x 42	290

OPTIONAL SOLID OUTPUT SHAFT

Dimension - Inch/MM

ØU	tol.	UY	V	VO	KEY	M-TAP x DEPTH	EA
3.625	+0.0000 -0.0010	4.01	6.69	-	7/8 x 7/8 x 5-5/8	1-8 UNC x 1.97	12.60
90	+0.035 +0.013	95	170	15	25 x 14 x 140	M24 x 50	320

SEPARATE INPUT

Dimension - Inch/MM

	C	ZC	FO	FM x Depth	ØFU	tol.	FV	YA	YB	Key
90	27.13	6.22	---	5/16-18 UNC x 0.75	0.875	+0.0000 -0.0005	1.97	2.80	0.16	3/16 x 3/16 x 1-5/8
	689	158	5	M8 x 19	24	+0.015 +0.002	50			8 x 7 x 40
100	27.64	6.73	---	3/8-16 UNC x 0.87	1.125	+0.0000 -0.0005	2.36	3.27	0.16	1/4 x 1/4 x 2
	702	171	5	M10 x 22	28	+0.015 +0.002	60			8 x 7 x 50
112	27.59	6.68	---	3/8-16 UNC x 0.87	1.250	+0.0000 -0.0005	2.36	3.27	0.16	1/4 x 1/4 x 2
	701	170	5	M10 x 22	28	+0.015 +0.002	60			8 x 7 x 50
132	30.87	9.96	---	3/8-16 UNC x 0.87	1.375	+0.0000 -0.0005	3.15	6.61	0.14	5/15 x 5/16 x 2-3/4
	784	253	5	M12 x 28	38	+0.018 +0.002	80			10 x 8 x 70
160	32.62	11.71	---	5/8-11 UNC x 1.42	1.625	+0.0000 -0.0010	4.33	8.46	0.14	3/8 x 3/8 x 3-1/2
	829	298	10	M16 x 36	42	+0.018 +0.002	110			12 x 8 x 90
180	33.43	12.52	---	3/4-10 UNC x 1.65	2.125	+0.0000 -0.0010	4.33	9.25	0.16	1/2 x 1/2 x 3-5/8
	849	318	10	M20 x 42	55	+0.030 +0.011	110			16 x 10 x 90

Refer to page Engineering-4 for Input Flange and Shaft details.

NOMENCLATURE PAGE RHB-5	MOUNTING POSITIONS PAGE RHB-11	STOCK/NON-STOCK PART NUMBERS PAGE RHB-50	WEIGHTS PAGE RHB-372
----------------------------	-----------------------------------	---	-------------------------

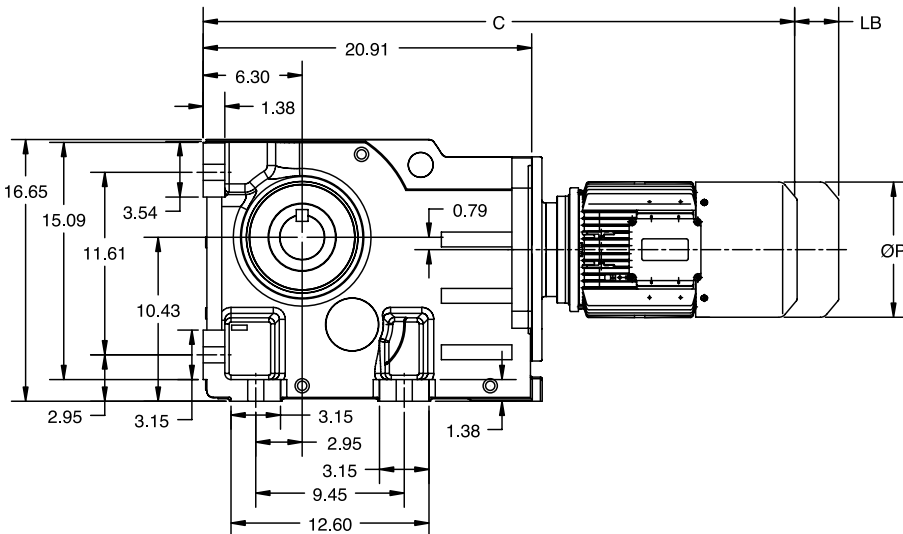
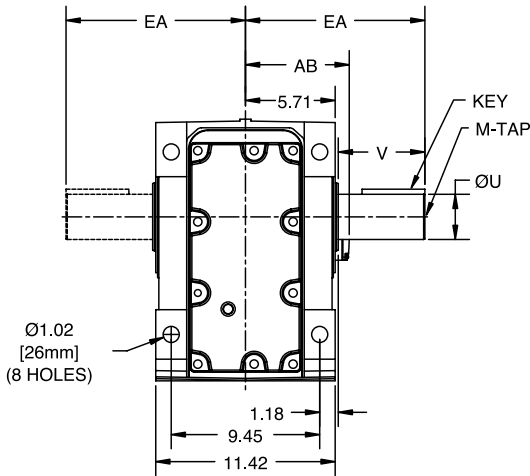
DIMENSIONS



RIGHT ANGLE HELICAL BEVEL (RHB) Integral Gearmotor - Foot Mounted Triple Reduction Solid Output Shaft

SIZE: BB128

METRIC OUTPUT SHAFT



NOMENCLATURE
PAGE RHB-5

MOUNTING POSITIONS
PAGE RHB-11

STOCK/NON-STOCK PART NUMBERS
PAGE RHB-50

WEIGHTS
PAGE RHB-372

RIGHT ANGLE HELICAL BEVEL (RHB)

SIZE: BB128

Integral Gearmotor - Foot Mounted
Triple Reduction
Solid Output Shaft

STANDARD SOLID OUTPUT SHAFT

Dimension - Inch/MM

ØU	tol.	UY	V	VO	KEY	M-TAP x DEPTH	EA
2.875	+0.0000 -0.0010	3.21	5.51	-	3/4 x 3/4 x 4	3/4-10 UNC x 1.65	11.42
70	+0.030 +0.011	75	140	15	20 x 12 x 125	M20 x 42	290

OPTIONAL SOLID OUTPUT SHAFT

Dimension - Inch/MM

ØU	tol.	UY	V	VO	KEY	M-TAP x DEPTH	EA
3.625	+0.0000 -0.0010	4.01	6.69	-	7/8 x 7/8 x 5-5/8	1-8 UNC x 1.97	12.60
90	+0.035 +0.013	95	170	15	25 x 14 x 140	M24 x 50	320

MOTOR

Dimension - Inch/MM

Frame	C	LB	P	AB
90H4	31.53	2.52	7.19	5.79
	801	64	183	148
90I4	32.41	2.52	7.19	5.79
	824	64	183	148
100J4	34.29	2.91	7.19	5.79
	871	74	183	148
112L4	35.92	2.91	8.6	6.88
	913	74	219	175
132M4	37.44	3.9	10.28	8.09
	951	99	262	206
132N4	38.94	3.9	10.28	8.09
	990	99	262	206

NOMENCLATURE PAGE RHB-5	MOUNTING POSITIONS PAGE RHB-11	STOCK/NON-STOCK PART NUMBERS PAGE RHB-50	WEIGHTS PAGE RHB-372
----------------------------	-----------------------------------	---	-------------------------

DIMENSIONS



QUANTIS

QUANTIS GOLD

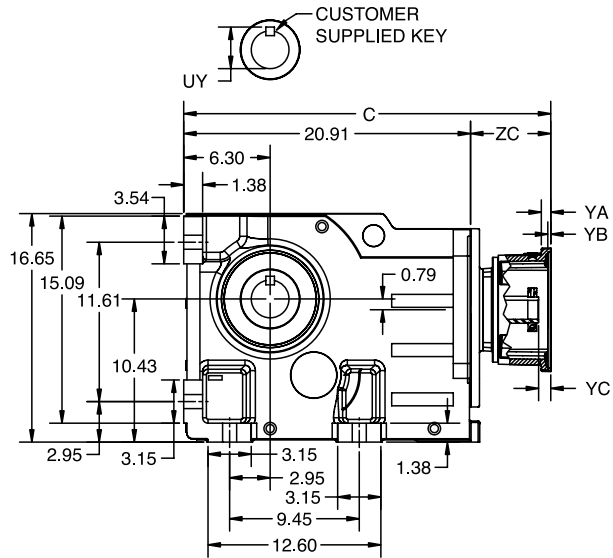
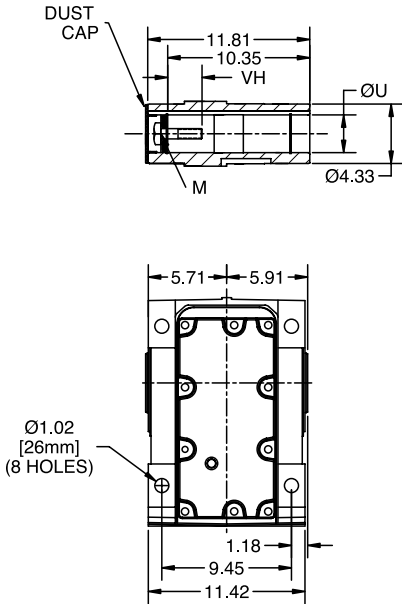
ILH

RHB

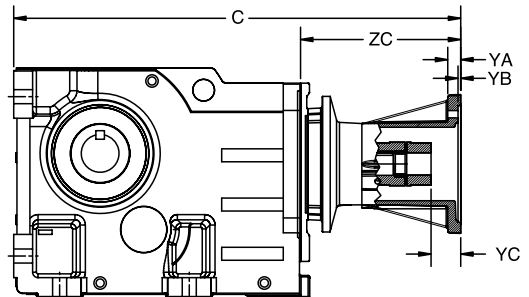
MSW

RIGHT ANGLE HELICAL BEVEL (RHB) NEMA C-Face - Foot Mounted - Clamp Collar / 3 Piece Coupled Triple Reduction Straight Hollow Bore Output Shaft

SIZE: BB128



CLAMP COLLAR



THREE-PIECE COUPLED

NOMENCLATURE PAGE RHB-5	MOUNTING POSITIONS PAGE RHB-11	STOCK/NON-STOCK PART NUMBERS PAGE RHB-50	WEIGHTS PAGE RHB-372
----------------------------	-----------------------------------	---	-------------------------

DIMENSIONS



RIGHT ANGLE HELICAL BEVEL (RHB) NEMA C-Face - Foot Mounted - Clamp Collar / 3 Piece Coupled Triple Reduction Straight Hollow Bore Output Shaft

SIZE: BB128

STANDARD HOLLOW OUTPUT SHAFT

Dimension - Inch/MM

ØU	tol.	UY	VH	KEY	M
2.750	+0.0012 +0.0004	3.04	2.51	5/8 x 5/8 x 6-1/8	3/4-10 x 3 UNC
70	+0.029 +0.010	75	68	20 x 12 x 110	M20 x 80

OPTIONAL HOLLOW OUTPUT SHAFT

Dimension - Inch/MM

ØU	tol.	UY	VH	KEY	M
2.9375	+0.0012 +0.0004	3.28	2.31	3/4 x 3/4 x 4-7/8	3/4-10 x 3 UNC
80	+0.029 +0.010	85	67	22 x 14 x 125	M20 x 85

NEMA MOTOR ADAPTER - CLAMP COLLAR

Dimension - Inch

	C	ZC	YA	YB	YC
140TC	23.55	2.64	0.47	0.20	0.67
180TC	24.86	3.95	0.69	0.22	0.93
210TC	26.76	5.85	0.69	0.22	0.89
250TC	26.74	5.83	0.94	0.20	1.13
280TC	27.54	6.63	0.94	0.20	1.30

NEMA MOTOR ADAPTER - 3 PIECE COUPLED

Dimension - Inch

	C	ZC	YA	YB	YC
140TC	27.42	6.52	0.55	0.20	1.10
180TC	28.58	7.68	0.87	0.22	1.65
210TC	30.59	9.69	0.87	0.22	2.01
250TC	32.58	11.67	0.94	0.20	2.17
280TC	35.28	14.37	0.94	0.20	2.57

Refer to page Engineering-2 for Input Flange and Shaft details.
Refer to page Engineering-8 and Engineering-9 for driven shaft dimensions.
Refer to page RHB-355 for Twin Tapered Bushing details.

NOMENCLATURE PAGE RHB-5	MOUNTING POSITIONS PAGE RHB-11	STOCK/NON-STOCK PART NUMBERS PAGE RHB-60	WEIGHTS PAGE RHB-372
----------------------------	-----------------------------------	---	-------------------------

DIMENSIONS



RIGHT ANGLE HELICAL BEVEL (RHB)
IEC D Flange (B5 Input) - Foot Mounted - Clamp Collar / 3 Piece Coupled
Triple Reduction
Straight Hollow Bore Output Shaft

SIZE: BB128

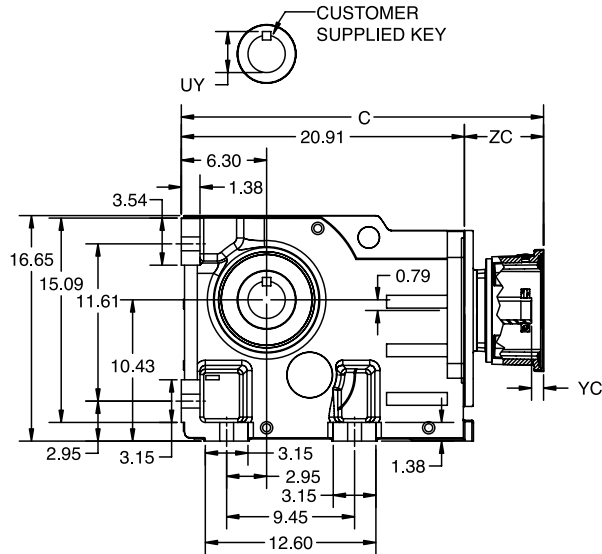
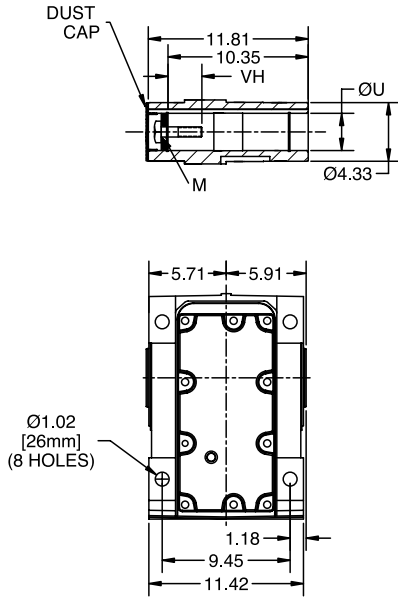
QUANTIS

QUANTIS GOLD

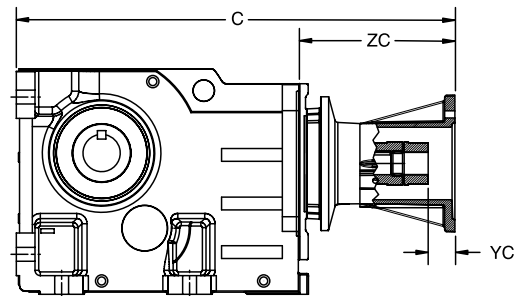
ILH

RHB

MSW



CLAMP COLLAR



THREE-PIECE COUPLED

NOMENCLATURE PAGE RHB-5	MOUNTING POSITIONS PAGE RHB-11	STOCK/NON-STOCK PART NUMBERS PAGE RHB-50	WEIGHTS PAGE RHB-372
----------------------------	-----------------------------------	---	-------------------------

DIMENSIONS



RIGHT ANGLE HELICAL BEVEL (RHB) IEC D Flange (B5 Input) - Foot Mounted - Clamp Collar / 3 Piece Coupled Triple Reduction Straight Hollow Bore Output Shaft

SIZE: BB128

STANDARD HOLLOW OUTPUT SHAFT

Dimension - Inch/MM

ØU	tol.	UY	VH	KEY	M
2.750	+0.0012 +0.0004	3.04	2.51	5/8 x 5/8 x 6-1/8	3/4-10 x 3 UNC
70	+0.029 +0.010	75	68	20 x 12 x 110	M20 x 80

OPTIONAL HOLLOW OUTPUT SHAFT

Dimension - Inch/MM

ØU	tol.	UY	VH	KEY	M
2.9375	+0.0012 +0.0004	3.28	2.31	3/4 x 3/4 x 4-7/8	3/4-10 x 3 UNC
80	+0.029 +0.010	85	67	22 x 14 x 125	M20 x 85

IEC MOTOR ADAPTER - CLAMP COLLAR

Dimension - Inch

	C	ZC	YC
90D	23.11	2.20	0.61
100D	23.29	2.38	0.28
112D	23.53	2.62	0.28
132D	25.10	4.19	0.87
160D	26.84	5.93	0.79
180D	27.37	6.46	0.85
200D	27.76	6.85	1.18

IEC MOTOR ADAPTER - 3 PIECE COUPLED

Dimension - Inch

	C	ZC	YC
90D	27.34	6.43	1.02
100D	28.11	7.20	1.18
112D	27.98	7.07	1.18
132D	30.36	9.45	1.77
160D	33.01	12.10	2.60
180D	35.00	14.09	2.32
200D	35.04	14.13	2.36

Refer to page Engineering-3 for Input Flange and Shaft details.

Refer to page Engineering-8 and Engineering-9 for driven shaft dimensions.

Refer to page RHB-355 for Twin Tapered Bushing details.

NOMENCLATURE PAGE RHB-5	MOUNTING POSITIONS PAGE RHB-11	STOCK/NON-STOCK PART NUMBERS PAGE RHB-50	WEIGHTS PAGE RHB-372
----------------------------	-----------------------------------	---	-------------------------

DIMENSIONS



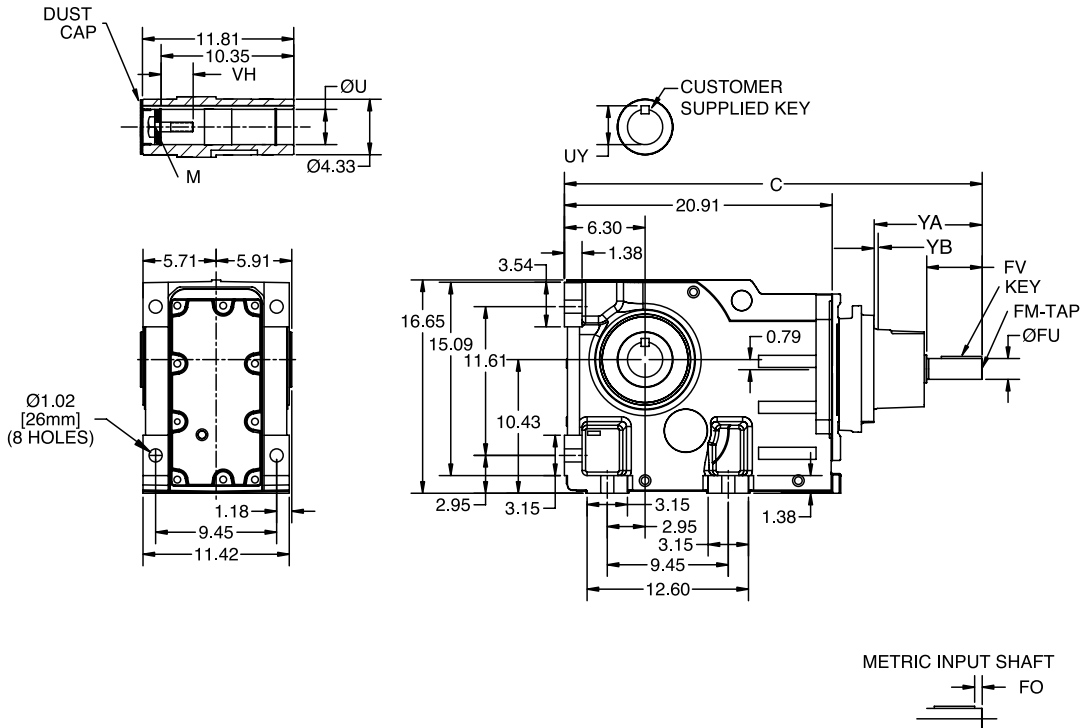
RIGHT ANGLE HELICAL BEVEL (RHB)

SIZE: BB128

Separate - Foot Mounted

Triple Reduction

Straight Hollow Bore Output Shaft



QUANTIS

QUANTIS GOLD

ILH

RHB

MSW

NOMENCLATURE PAGE RHB-5	MOUNTING POSITIONS PAGE RHB-11	STOCK/NON-STOCK PART NUMBERS PAGE RHB-50	WEIGHTS PAGE RHB-372
----------------------------	-----------------------------------	---	-------------------------

RIGHT ANGLE HELICAL BEVEL (RHB)

SIZE: BB128

Separate - Foot Mounted
Triple Reduction
Straight Hollow Bore Output Shaft

STANDARD HOLLOW OUTPUT SHAFT

Dimension - Inch/MM

ØU	tol.	UY	VH	KEY	M
2.750	+0.0012 +0.0004	3.04	2.51	5/8 x 5/8 x 6-1/8	3/4-10 x 3 UNC
70	+0.029 +0.010	75	68	20 x 12 x 110	M20 x 80

OPTIONAL HOLLOW OUTPUT SHAFT

Dimension - Inch/MM

ØU	tol.	UY	VH	KEY	M
2.9375	+0.0012 +0.0004	3.28	2.31	3/4 x 3/4 x 4-7/8	3/4-10 x 3 UNC
80	+0.029 +0.010	85	67	22 x 14 x 125	M20 x 85

SEPARATE INPUT

Dimension - Inch/MM

	C	ZC	FO	FM x Depth	ØFU	tol.	FV	YA	YB	Key
90	27.13	6.22	---	5/16-18 UNC x 0.75	0.875	+0.0000 -0.0005	1.97	2.80	0.16	3/16 x 3/16 x 1-5/8
	689	158	5	M8 x 19	24	+0.015 +0.002	50			8 x 7 x 40
100	27.64	6.73	---	3/8-16 UNC x 0.87	1.125	+0.0000 -0.0005	2.36	3.27	0.16	1/4 x 1/4 x 2
	702	171	5	M10 x 22	28	+0.015 +0.002	60			8 x 7 x 50
112	27.59	6.68	---	3/8-16 UNC x 0.87	1.250	+0.0000 -0.0005	2.36	3.27	0.16	1/4 x 1/4 x 2
	701	170	5	M10 x 22	28	+0.015 +0.002	60			8 x 7 x 50
132	30.87	9.96	---	3/8-16 UNC x 0.87	1.375	+0.0000 -0.0005	3.15	6.61	0.14	5/15 x 5/16 x 2-3/4
	784	253	5	M12 x 28	38	+0.018 +0.002	80			10 x 8 x 70
160	32.62	11.71	---	5/8-11 UNC x 1.42	1.625	+0.0000 -0.0010	4.33	8.46	0.14	3/8 x 3/8 x 3-1/2
	829	298	10	M16 x 36	42	+0.018 +0.002	110			12 x 8 x 90
180	33.43	12.52	---	3/4-10 UNC x 1.65	2.125	+0.0000 -0.0010	4.33	9.25	0.16	1/2 x 1/2 x 3-5/8
	849	318	10	M20 x 42	55	+0.030 +0.011	110			16 x 10 x 90

Refer to page Engineering-4 for Input Flange and Shaft details.
Refer to page Engineering-8 and Engineering-9 for driven shaft dimensions.
Refer to page RHB-355 for Twin Tapered Bushing details.

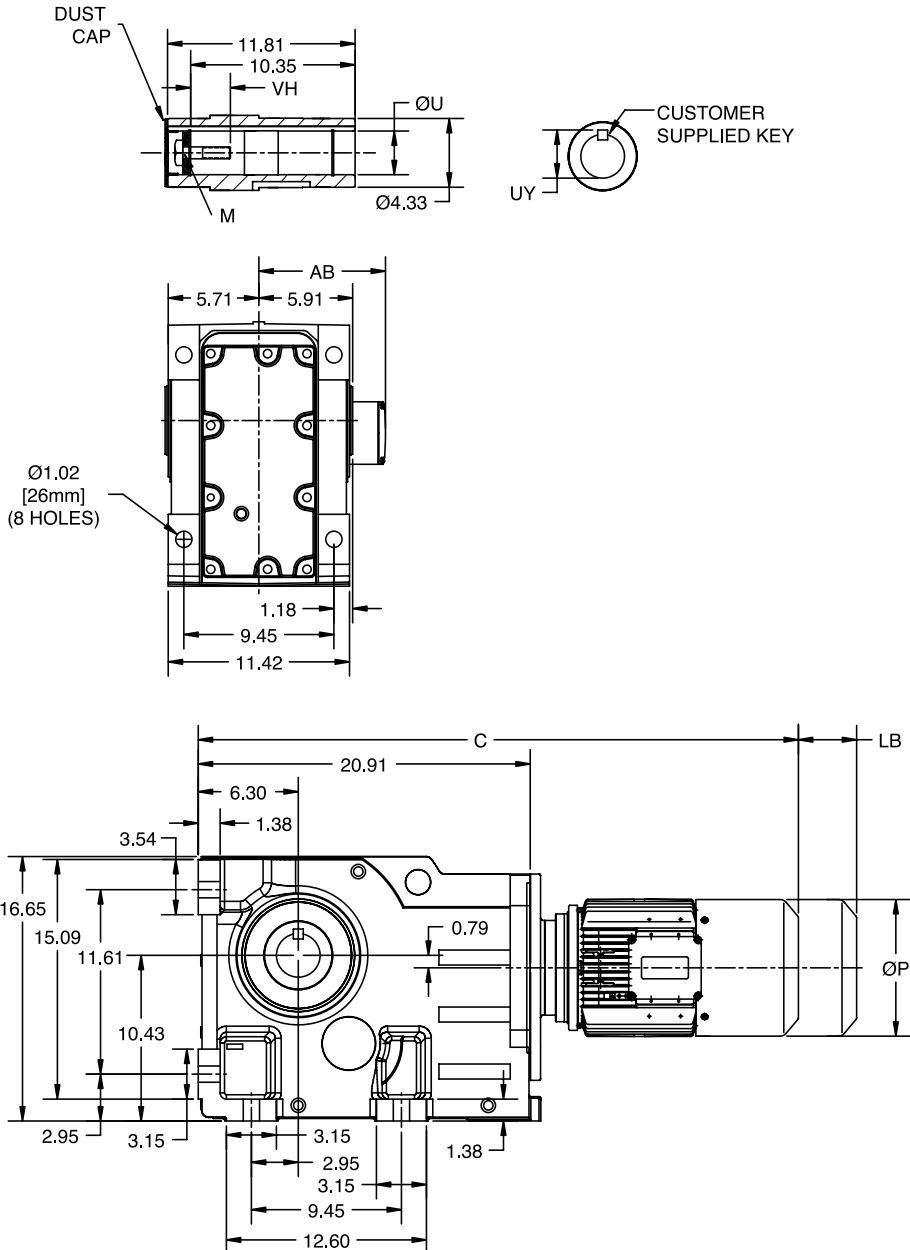
NOMENCLATURE PAGE RHB-5	MOUNTING POSITIONS PAGE RHB-11	STOCK/NON-STOCK PART NUMBERS PAGE RHB-50	WEIGHTS PAGE RHB-372
----------------------------	-----------------------------------	---	-------------------------

DIMENSIONS



RIGHT ANGLE HELICAL BEVEL (RHB) Integral Gearmotor - Foot Mounted Triple Reduction Straight Hollow Bore Output Shaft

SIZE: BB128



NOMENCLATURE
PAGE RHB-5

MOUNTING POSITIONS
PAGE RHB-11

STOCK/NON-STOCK PART NUMBERS
PAGE RHB-50

WEIGHTS
PAGE RHB-372

DIMENSIONS



RIGHT ANGLE HELICAL BEVEL (RHB)

SIZE: BB128

Integral Gearmotor - Foot Mounted

Triple Reduction

Straight Hollow Bore Output Shaft

STANDARD HOLLOW OUTPUT SHAFT

Dimension - Inch/MM

ØU	tol.	UY	VH	KEY	M
2.750	+0.0012 +0.0004	3.04	2.51	5/8 x 5/8 x 6-1/8	3/4-10 x 3 UNC
70	+0.029 +0.010	75	68	20 x 12 x 110	M20 x 80

OPTIONAL HOLLOW OUTPUT SHAFT

Dimension - Inch/MM

ØU	tol.	UY	VH	KEY	M
2.9375	+0.0012 +0.0004	3.28	2.31	3/4 x 3/4 x 4-7/8	3/4-10 x 3 UNC
80	+0.029 +0.010	85	67	22 x 14 x 125	M20 x 85

MOTOR

Dimension - Inch/MM

Frame	C	LB	P	AB
90H4	31.53	2.52	7.19	5.79
	801	64	183	148
90I4	32.41	2.52	7.19	5.79
	824	64	183	148
100J4	34.29	2.91	7.19	5.79
	871	74	183	148
112L4	35.92	2.91	8.6	6.88
	913	74	219	175
132M4	37.44	3.9	10.28	8.09
	951	99	262	206
132N4	38.94	3.9	10.28	8.09
	990	99	262	206

Refer to page Engineering-8 and Engineering-9 for driven shaft dimensions.

Refer to page RHB-355 for Twin Tapered Bushing details.

NOMENCLATURE PAGE RHB-5	MOUNTING POSITIONS PAGE RHB-11	STOCK/NON-STOCK PART NUMBERS PAGE RHB-50	WEIGHTS PAGE RHB-372
----------------------------	-----------------------------------	---	-------------------------

DIMENSIONS



QUANTIS

QUANTIS GOLD

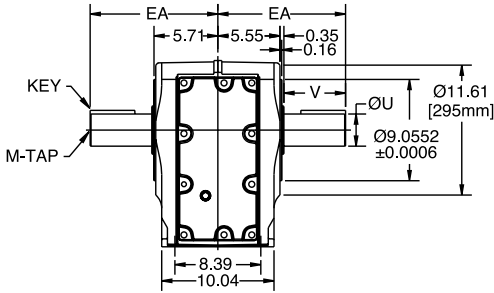
ILH

RHB

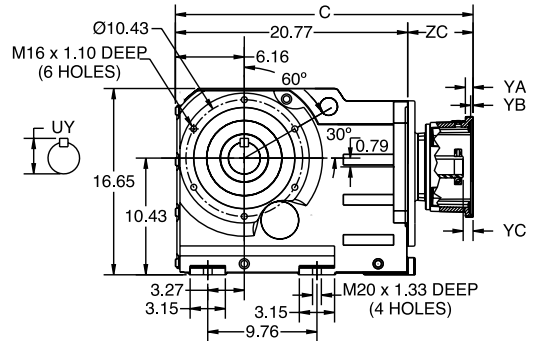
MSW

RIGHT ANGLE HELICAL BEVEL (RHB) NEMA C-Face - Flange Mounted (B4 / B14) - Clamp Collar / 3 Piece Coupled Triple Reduction Solid Output Shaft

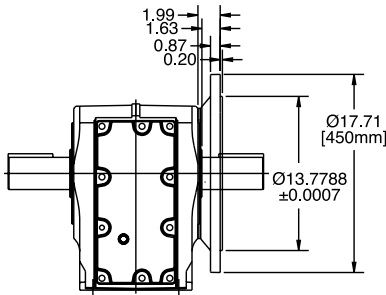
SIZE: BF128



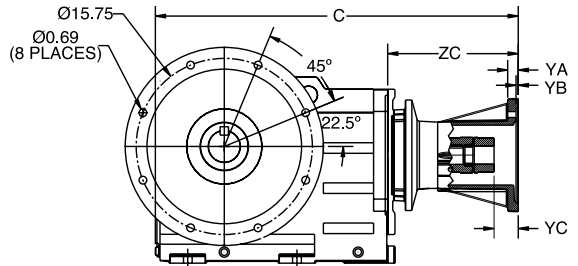
**B14 OUTPUT FLANGE -
Ø295mm**



CLAMP COLLAR

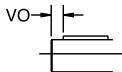


**B5 OUTPUT FLANGE -
Ø450mm**



THREE-PIECE COUPLED

METRIC OUTPUT SHAFT



NOMENCLATURE PAGE RHB-5	MOUNTING POSITIONS PAGE RHB-11	STOCK/NON-STOCK PART NUMBERS PAGE RHB-50	WEIGHTS PAGE RHB-372
----------------------------	-----------------------------------	---	-------------------------

RIGHT ANGLE HELICAL BEVEL (RHB)
NEMA C-Face - Flange Mounted (B4 / B14) - Clamp Collar / 3 Piece Coupled
Triple Reduction
Solid Output Shaft

SIZE: BF128

STANDARD SOLID OUTPUT SHAFT

Dimension - Inch/MM

ØU	tol.	UY	V	VO	KEY	M-TAP x DEPTH	EA
2.875	+0.0000 -0.0010	3.21	5.51	-	3/4 x 3/4 x 4	3/4-10 UNC x 1.65	11.42
70	+0.035 +0.013	75	140	8	20 x 12 x 125	M20 x 42	290

OPTIONAL SOLID OUTPUT SHAFT

Dimension - Inch/MM

ØU	tol.	UY	V	VO	KEY	M-TAP x DEPTH	EA
3.625	+0.0000 -0.0010	4.01	6.69	-	7/8 x 7/8 x 5-5/8	1-8 UNC x 1.97	12.60
90	+0.035 +0.013	95	170	15	25 x 14 x 140	M24 x 50	320

NEMA MOTOR ADAPTER - CLAMP COLLAR

Dimension - Inch

	C	ZC	YA	YB	YC
140TC	23.41	2.64	0.47	0.20	0.67
180TC	24.72	3.95	0.69	0.22	0.93
210TC	26.62	5.85	0.69	0.22	0.89
250TC	26.60	5.83	0.94	0.20	1.13
280TC	27.40	6.63	0.94	0.20	1.30

NEMA MOTOR ADAPTER - 3 PIECE COUPLED

Dimension - Inch

	C	ZC	YA	YB	YC
140TC	27.29	6.52	0.55	0.20	1.10
180TC	28.44	7.68	0.87	0.22	1.65
210TC	30.45	9.69	0.87	0.22	2.01
250TC	32.44	11.67	0.94	0.20	2.17
280TC	35.14	14.37	0.94	0.20	2.57

Refer to page Engineering-2 for Input Flange and Shaft details.

NOMENCLATURE PAGE RHB-5	MOUNTING POSITIONS PAGE RHB-11	STOCK/NON-STOCK PART NUMBERS PAGE RHB-50	WEIGHTS PAGE RHB-372
----------------------------	-----------------------------------	---	-------------------------

DIMENSIONS



QUANTIS

QUANTIS GOLD

ILH

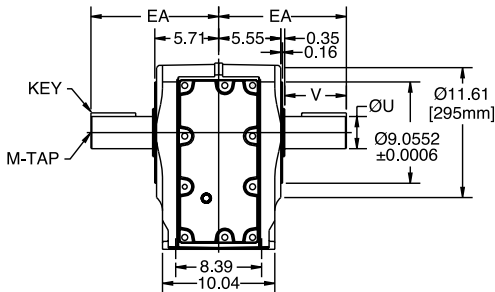
RHB

MSW

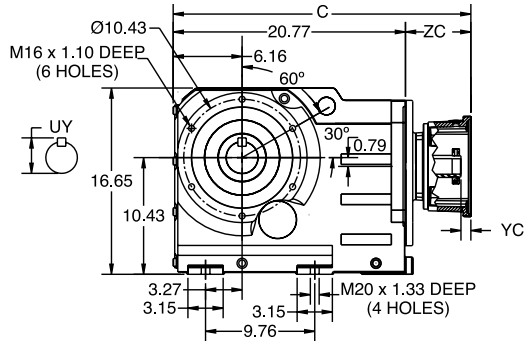
RIGHT ANGLE HELICAL BEVEL (RHB)

SIZE: BF128

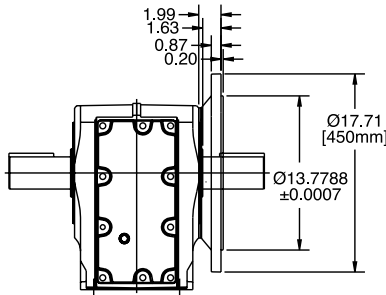
IEC D Flange (B5 Input) - Flange Mounted (B4 / B14) - Clamp Collar / 3 Piece Coupled
Triple Reduction
Solid Output Shaft



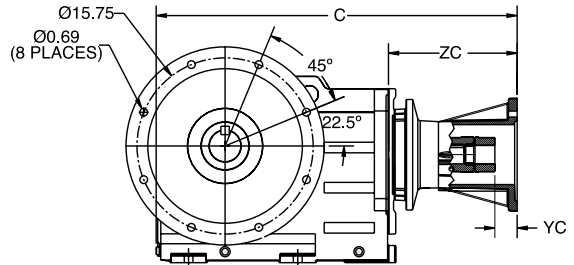
B14 OUTPUT FLANGE - Ø295mm



CLAMP COLLAR

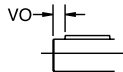


B5 OUTPUT FLANGE - Ø450mm



THREE-PIECE COUPLED

METRIC OUTPUT SHAFT



NOMENCLATURE PAGE RHB-5	MOUNTING POSITIONS PAGE RHB-11	STOCK/NON-STOCK PART NUMBERS PAGE RHB-50	WEIGHTS PAGE RHB-372
----------------------------	-----------------------------------	---	-------------------------

DIMENSIONS



RIGHT ANGLE HELICAL BEVEL (RHB) SIZE: BF128 IEC D Flange (B5 Input) - Flange Mounted (B4 / B14) - Clamp Collar / 3 Piece Coupled Triple Reduction Solid Output Shaft

STANDARD SOLID OUTPUT SHAFT

Dimension - Inch/MM

ØU	tol.	UY	V	VO	KEY	M-TAP x DEPTH	EA
2.875	+0.0000 -0.0010	3.21	5.51	-	3/4 x 3/4 x 4	3/4-10 UNC x 1.65	11.42
70	+0.035 +0.013	75	140	8	20 x 12 x 125	M20 x 42	290

OPTIONAL SOLID OUTPUT SHAFT

Dimension - Inch/MM

ØU	tol.	UY	V	VO	KEY	M-TAP x DEPTH	EA
3.625	+0.0000 -0.0010	4.01	6.69	-	7/8 x 7/8 x 5-5/8	1-8 UNC x 1.97	12.60
90	+0.035 +0.013	95	170	15	25 x 14 x 140	M24 x 50	320

IEC MOTOR ADAPTER - CLAMP COLLAR

Dimension - Inch

	C	ZC	YC
90D	22.97	2.20	0.61
100D	23.15	2.38	0.28
112D	23.39	2.62	0.28
132D	24.96	4.19	0.87
160D	26.70	5.93	0.79
180D	27.23	6.46	0.85
200D	27.62	6.85	1.18

IEC MOTOR ADAPTER - 3 PIECE COUPLED

Dimension - Inch

	C	ZC	YC
90D	27.20	6.43	1.02
100D	27.97	7.20	1.18
112D	27.84	7.07	1.18
132D	30.22	9.45	1.77
160D	32.87	12.10	2.60
180D	34.86	14.09	2.32
200D	34.90	14.13	2.36

Refer to page Engineering-3 for Input Flange and Shaft details.

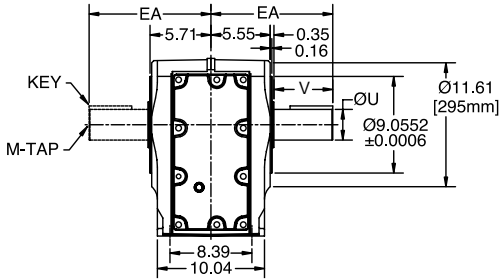
NOMENCLATURE PAGE RHB-5	MOUNTING POSITIONS PAGE RHB-11	STOCK/NON-STOCK PART NUMBERS PAGE RHB-50	WEIGHTS PAGE RHB-372
----------------------------	-----------------------------------	---	-------------------------

DIMENSIONS

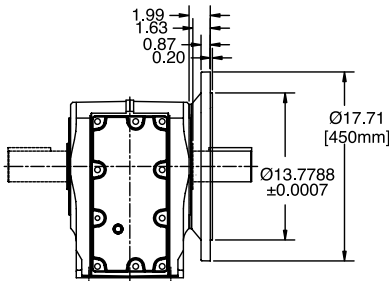
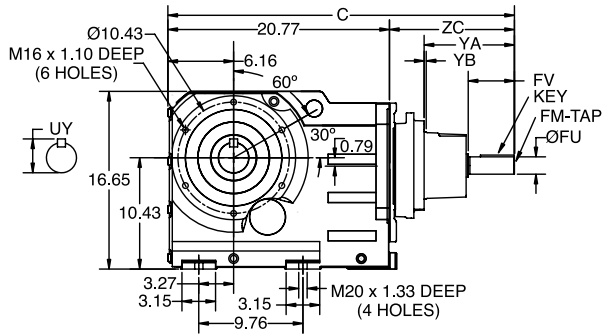


RIGHT ANGLE HELICAL BEVEL (RHB) Separate - Flange Mounted (B4 / B14) Triple Reduction Solid Output Shaft

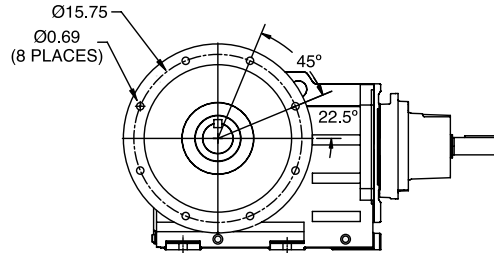
SIZE: BF128



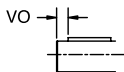
**B14 OUTPUT FLANGE -
Ø295mm**



**B5 OUTPUT FLANGE -
Ø450mm**



METRIC OUTPUT SHAFT



METRIC INPUT
SHAFT → FO



NOMENCLATURE
PAGE RHB-5

MOUNTING POSITIONS
PAGE RHB-11

STOCK/NON-STOCK PART NUMBERS
PAGE RHB-50

WEIGHTS
PAGE RHB-372

RIGHT ANGLE HELICAL BEVEL (RHB)

SIZE: BF128

Separate - Flange Mounted (B4 / B14)

Triple Reduction

Solid Output Shaft

STANDARD SOLID OUTPUT SHAFT

Dimension - Inch/MM

ØU	tol.	UY	V	VO	KEY	M-TAP x DEPTH	EA
2.875	+0.0000 -0.0010	3.21	5.51	-	3/4 x 3/4 x 4	3/4-10 UNC x 1.65	11.42
70	+0.035 +0.013	75	140	8	20 x 12 x 125	M20 x 42	290

OPTIONAL SOLID OUTPUT SHAFT

Dimension - Inch/MM

ØU	tol.	UY	V	VO	KEY	M-TAP x DEPTH	EA
3.625	+0.0000 -0.0010	4.01	6.69	-	7/8 x 7/8 x 5-5/8	1-8 UNC x 1.97	12.60
90	+0.035 +0.013	95	170	15	25 x 14 x 140	M24 x 50	320

SEPARATE INPUT

Dimension - Inch/MM

	C	ZC	FO	FM x Depth	ØFU	tol.	FV	YA	YB	Key
90	26.99	6.22	---	5/16-18 UNC x 0.75	0.875	+0.0000 -0.0005	1.97	2.80	0.16	3/16 x 3/16 x 1-5/8
	686	158	5	M8 x 19	24	+0.015 +0.002	50			8 x 7 x 40
100	27.50	6.73	---	3/8-16 UNC x 0.87	1.125	+0.0000 -0.0005	2.36	3.27	0.16	1/4 x 1/4 x 2
	699	171	5	M10 x 22	28	+0.015 +0.002	60			8 x 7 x 50
112	27.45	6.68	---	3/8-16 UNC x 0.87	1.250	+0.0000 -0.0005	2.36	3.27	0.16	1/4 x 1/4 x 2
	697	170	5	M10 x 22	28	+0.015 +0.002	60			8 x 7 x 50
132	30.73	9.96	---	3/8-16 UNC x 0.87	1.375	+0.0000 -0.0005	3.15	6.61	0.14	5/15 x 5/16 x 2-3/4
	781	253	5	M12 x 28	38	+0.018 +0.002	80			10 x 8 x 70
160	32.48	11.71	---	5/8-11 UNC x 1.42	1.625	+0.0000 -0.0010	4.33	8.46	0.14	3/8 x 3/8 x 3-1/2
	825	298	10	M16 x 36	42	+0.018 +0.002	110			12 x 8 x 90
180	33.29	12.52	---	3/4-10 UNC x 1.65	2.125	+0.0000 -0.0010	4.33	9.25	0.16	1/2 x 1/2 x 3-5/8
	846	318	10	M20 x 42	55	+0.030 +0.011	110			16 x 10 x 90

Refer to page Engineering-4 for Input Flange and Shaft details.

NOMENCLATURE PAGE RHB-5	MOUNTING POSITIONS PAGE RHB-11	STOCK/NON-STOCK PART NUMBERS PAGE RHB-50	WEIGHTS PAGE RHB-372
----------------------------	-----------------------------------	---	-------------------------

DIMENSIONS



QUANTIS

QUANTIS GOLD

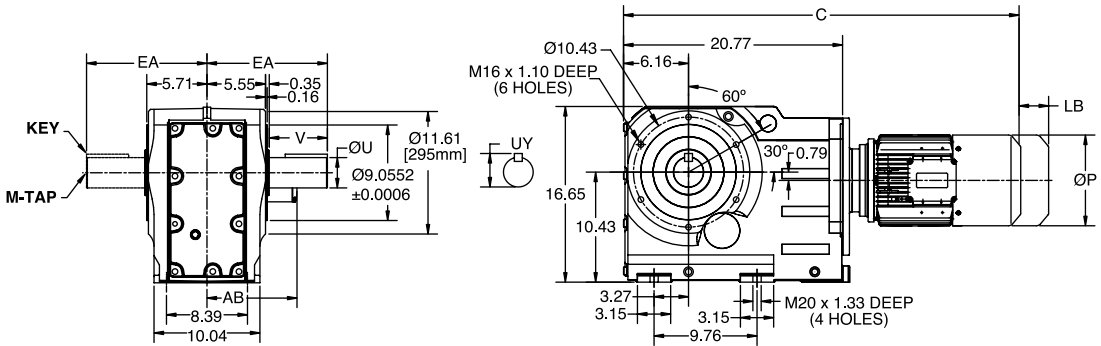
ILH

RHB

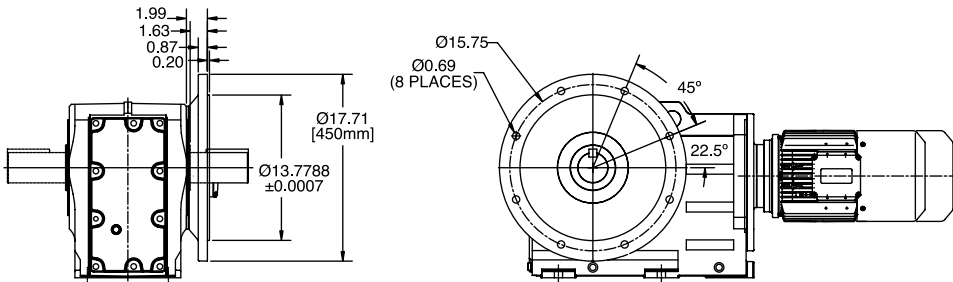
MSW

RIGHT ANGLE HELICAL BEVEL (RHB) Integral Gearmotor - Flange Mounted (B4 / B14) Triple Reduction Solid Output Shaft

SIZE: BF128

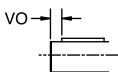


**B14 OUTPUT FLANGE -
Ø295 mm**



**B5 OUTPUT FLANGE -
Ø450mm**

METRIC OUTPUT SHAFT



NOMENCLATURE PAGE RHB-5	MOUNTING POSITIONS PAGE RHB-11	STOCK/NON-STOCK PART NUMBERS PAGE RHB-50	WEIGHTS PAGE RHB-372
----------------------------	-----------------------------------	---	-------------------------

DIMENSIONS



RIGHT ANGLE HELICAL BEVEL (RHB) Integral Gearmotor - Flange Mounted (B4 / B14) Triple Reduction Solid Output Shaft

SIZE: BF128

STANDARD SOLID OUTPUT SHAFT

Dimension - Inch/MM

ØU	tol.	UY	V	VO	KEY	M-TAP x DEPTH	EA
2.875	+0.0000 -0.0010	3.21	5.51	-	3/4 x 3/4 x 4	3/4-10 UNC x 1.65	11.42
70	+0.030 +0.011	75	140	15	20 x 12 x 110	M20 x 42	290

OPTIONAL SOLID OUTPUT SHAFT

Dimension - Inch/MM

ØU	tol.	UY	V	VO	KEY	M-TAP x DEPTH	EA
3.625	+0.0000 -0.0010	4.01	6.69	-	7/8 x 7/8 x 5-5/8	1-8 UNC x 1.97	12.60
90	+0.035 +0.013	95	170	15	25 x 14 x 140	M24 x 50	320

MOTOR

Dimension - Inch/MM

Frame	C	LB	P	AB
90H4	31.39	2.52	7.19	5.79
	798	64	183	148
90I4	32.27	2.52	7.19	5.79
	820	64	183	148
100J4	34.15	2.91	7.19	5.79
	868	74	183	148
112L4	35.79	2.91	8.6	6.88
	910	74	219	175
132M4	37.3	3.9	10.28	8.09
	948	99	262	206
132N4	38.8	3.9	10.28	8.09
	986	99	262	206

QUANTIS

QUANTIS GOLD

ILH

RHB

MSM

NOMENCLATURE PAGE RHB-5	MOUNTING POSITIONS PAGE RHB-11	STOCK/NON-STOCK PART NUMBERS PAGE RHB-50	WEIGHTS PAGE RHB-372
----------------------------	-----------------------------------	---	-------------------------

DIMENSIONS



QUANTIS

QUANTIS GOLD

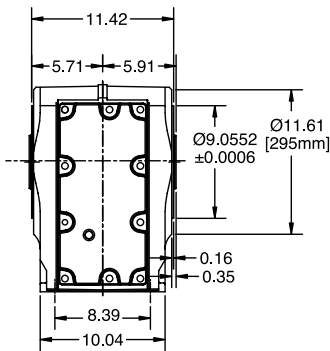
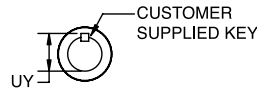
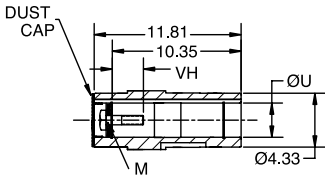
ILH

RHB

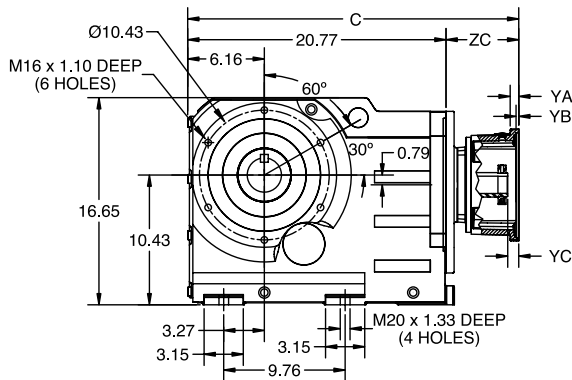
MSW

RIGHT ANGLE HELICAL BEVEL (RHB) NEMA C-Face - Flange Mounted (B5 / B14) - Clamp Collar / 3 Piece Coupled Triple Reduction Straight Hollow Bore Output Shaft

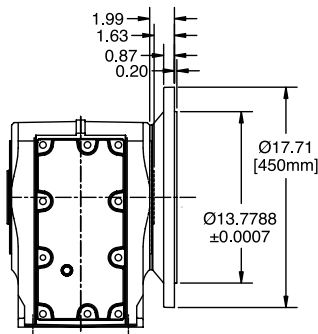
SIZE: BF128



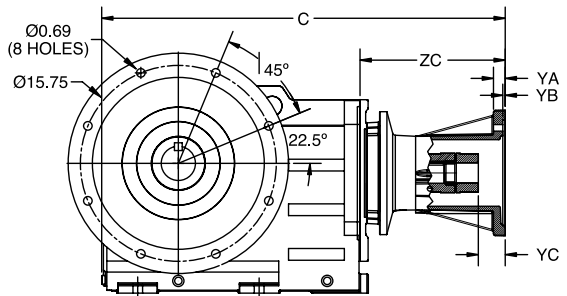
**B14 OUTPUT FLANGE -
Ø295mm**



CLAMP COLLAR



**B5 OUTPUT FLANGE -
Ø450mm**



THREE-PIECE COUPLED

NOMENCLATURE PAGE RHB-5	MOUNTING POSITIONS PAGE RHB-11	STOCK/NON-STOCK PART NUMBERS PAGE RHB-50	WEIGHTS PAGE RHB-372
----------------------------	-----------------------------------	---	-------------------------

RIGHT ANGLE HELICAL BEVEL (RHB) SIZE: BF128 NEMA C-Face - Flange Mounted (B5 / B14) - Clamp Collar / 3 Piece Coupled Triple Reduction Straight Hollow Bore Output Shaft

STANDARD HOLLOW OUTPUT SHAFT					Dimension - Inch/MM
ØU	tol.	UY	VH	KEY	M
2.750	+0.0012 +0.0004	3.04	2.51	5/8 x 5/8 x 6-1/8	3/4-10 x 3 UNC
70	+0.029 +0.010	75	68	20 x 12 x 110	M20 x 80

OPTIONAL HOLLOW OUTPUT SHAFT					Dimension - Inch/MM
ØU	tol.	UY	VH	KEY	M
2.9375	+0.0012 +0.0004	3.28	2.31	3/4 x 3/4 x 4-7/8	3/4-10 x 3 UNC
80	+0.029 +0.010	85	67	22 x 14 x 125	M20 x 85

NEMA MOTOR ADAPTER - CLAMP COLLAR					Dimension - Inch
	C	ZC	YA	YB	YC
140TC	23.41	2.64	0.47	0.20	0.67
180TC	24.72	3.95	0.69	0.22	0.93
210TC	26.62	5.85	0.69	0.22	0.89
250TC	26.60	5.83	0.94	0.20	1.13
280TC	27.40	6.63	0.94	0.20	1.30

NEMA MOTOR ADAPTER - 3 PIECE COUPLED					Dimension - Inch
	C	ZC	YA	YB	YC
140TC	27.29	6.52	0.55	0.20	1.10
180TC	28.44	7.68	0.87	0.22	1.65
210TC	30.45	9.69	0.87	0.22	2.01
250TC	32.44	11.67	0.94	0.20	2.17
280TC	35.14	14.37	0.94	0.20	2.57

Refer to page Engineering-2 for Input Flange and Shaft details.
 Refer to page Engineering-8 and Engineering-9 for driven shaft dimensions.
 Refer to page RHB-355 for Twin Tapered Bushing details.

NOMENCLATURE PAGE RHB-5	MOUNTING POSITIONS PAGE RHB-11	STOCK/NON-STOCK PART NUMBERS PAGE RHB-50	WEIGHTS PAGE RHB-372
----------------------------	-----------------------------------	---	-------------------------

QUANTIS
 QUANTIS GOLD
 ILH
 RHB
 MSM

DIMENSIONS



QUANTIS

QUANTIS GOLD

ILH

RHB

MSW

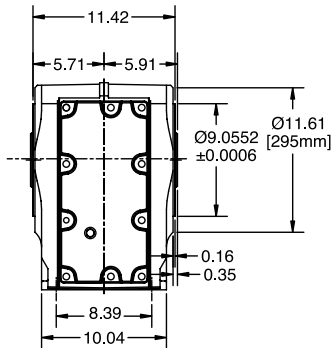
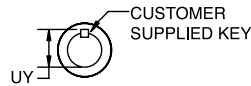
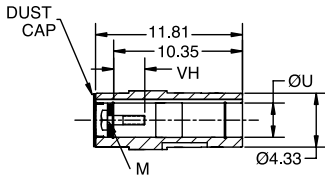
RIGHT ANGLE HELICAL BEVEL (RHB)

SIZE: BF128

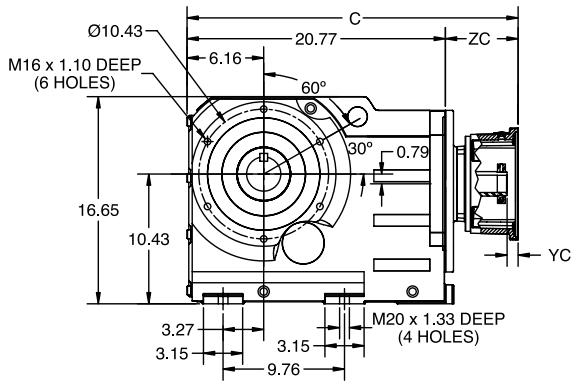
IEC D Flange (B5 Input) - Flange Mounted (B5 / B14) - Clamp Collar / 3 Piece Coupled

Triple Reduction

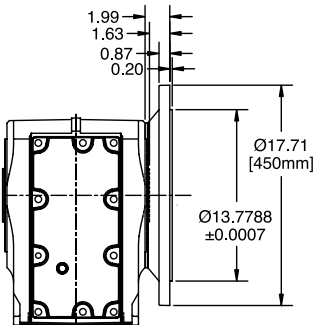
Straight Hollow Bore Output Shaft



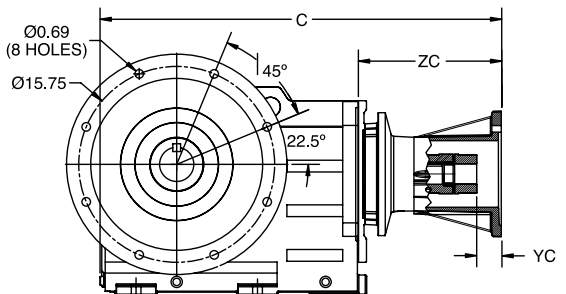
B14 OUTPUT FLANGE -
Ø295mm



CLAMP COLLAR



B5 OUTPUT FLANGE -
Ø450mm



THREE-PIECE COUPLED

NOMENCLATURE PAGE RHB-5	MOUNTING POSITIONS PAGE RHB-11	STOCK/NON-STOCK PART NUMBERS PAGE RHB-50	WEIGHTS PAGE RHB-372
----------------------------	-----------------------------------	---	-------------------------

DIMENSIONS



RIGHT ANGLE HELICAL BEVEL (RHB) SIZE: BF128 IEC D Flange (B5 Input) - Flange Mounted (B5 / B14) - Clamp Collar / 3 Piece Coupled Triple Reduction Straight Hollow Bore Output Shaft

STANDARD HOLLOW OUTPUT SHAFT Dimension - Inch/MM

ØU	tol.	UY	VH	KEY	M
2.750	+0.0012 +0.0004	3.04	2.51	5/8 x 5/8 x 6-1/8	3/4-10 x 3 UNC
70	+0.029 +0.010	75	68	20 x 12 x 110	M20 x 80

OPTIONAL HOLLOW OUTPUT SHAFT Dimension - Inch/MM

ØU	tol.	UY	VH	KEY	M
2.9375	+0.0012 +0.0004	3.28	2.31	3/4 x 3/4 x 4-7/8	3/4-10 x 3 UNC
80	+0.029 +0.010	85	67	22 x 14 x 125	M20 x 85

IEC MOTOR ADAPTER - CLAMP COLLAR Dimension - Inch

	C	ZC	YC
90D	22.97	2.20	0.61
100D	23.15	2.38	0.28
112D	23.39	2.62	0.28
132D	24.96	4.19	0.87
160D	26.70	5.93	0.79
180D	27.23	6.46	0.85
200D	27.62	6.85	1.18

IEC MOTOR ADAPTER - 3 PIECE COUPLED Dimension - Inch

	C	ZC	YC
90D	27.20	6.43	1.02
100D	27.97	7.20	1.18
112D	27.84	7.07	1.18
132D	30.22	9.45	1.77
160D	32.87	12.10	2.60
180D	34.86	14.09	2.32
200D	34.90	14.13	2.36

Refer to page Engineering-3 for Input Flange and Shaft details.
 Refer to page Engineering-8 and Engineering-9 for driven shaft dimensions.
 Refer to page RHB-355 for Twin Tapered Bushing details.

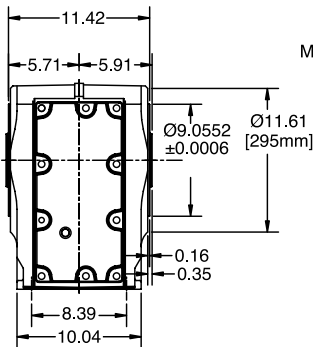
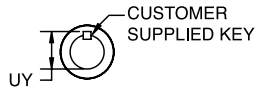
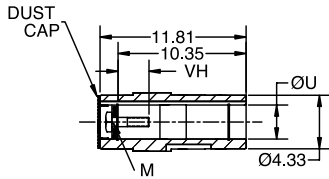
NOMENCLATURE PAGE RHB-5	MOUNTING POSITIONS PAGE RHB-11	STOCK/NON-STOCK PART NUMBERS PAGE RHB-50	WEIGHTS PAGE RHB-372
----------------------------	-----------------------------------	---	-------------------------

DIMENSIONS

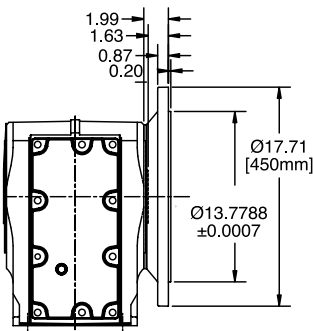


RIGHT ANGLE HELICAL BEVEL (RHB) Separate - Flange Mounted (B5 / B14) Triple Reduction Straight Hollow Bore Output Shaft

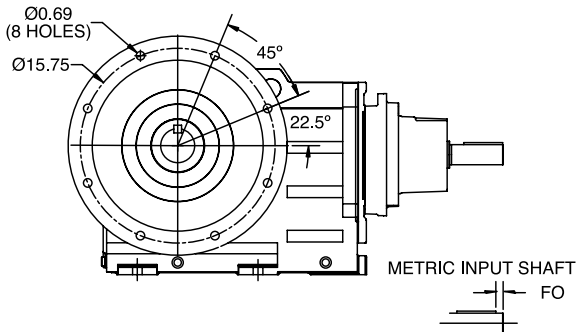
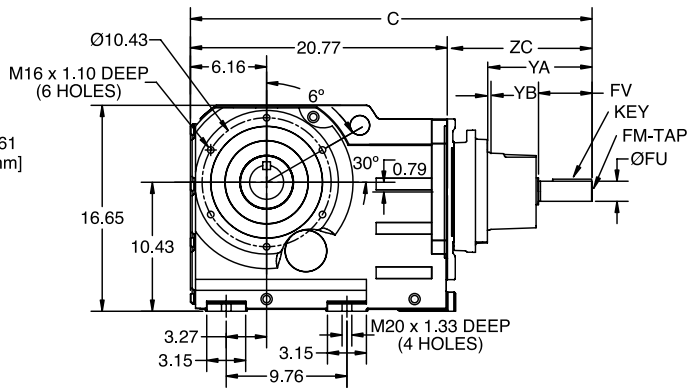
SIZE: BF128



**B14 OUTPUT FLANGE -
Ø295mm**



**B5 OUTPUT FLANGE -
Ø450mm**



NOMENCLATURE PAGE RHB-5	MOUNTING POSITIONS PAGE RHB-11	STOCK/NON-STOCK PART NUMBERS PAGE RHB-50	WEIGHTS PAGE RHB-372
----------------------------	-----------------------------------	---	-------------------------

QUANTIS

QUANTIS GOLD

ILH

RHB

MSW

RIGHT ANGLE HELICAL BEVEL (RHB) Separate - Flange Mounted (B5 / B14) Triple Reduction Straight Hollow Bore Output Shaft

SIZE: BF128

QUANTIS

QUANTIS GOLD

ILH

RHB

MSM

STANDARD HOLLOW OUTPUT SHAFT

Dimension - Inch/MM

ØU	tol.	UY	VH	KEY	M
2.750	+0.0012 +0.0004	3.04	2.51	5/8 x 5/8 x 6-1/8	3/4-10 x 3 UNC
70	+0.029 +0.010	75	68	20 x 12 x 110	M20 x 80

OPTIONAL HOLLOW OUTPUT SHAFT

Dimension - Inch/MM

ØU	tol.	UY	VH	KEY	M
2.9375	+0.0012 +0.0004	3.28	2.31	3/4 x 3/4 x 4-7/8	3/4-10 x 3 UNC
80	+0.029 +0.010	85	67	22 x 14 x 125	M20 x 85

SEPARATE INPUT

Dimension - Inch/MM

	C	ZC	FO	FM x Depth	ØFU	tol.	FV	YA	YB	Key
90	26.99	6.22	---	5/16-18 UNC x 0.75	0.875	+0.0000 -0.0005	1.97	2.80	0.16	3/16 x 3/16 x 1-5/8
	686	158	5	M8 x 19	24	+0.015 +0.002	50			8 x 7 x 40
100	27.50	6.73	---	3/8-16 UNC x 0.87	1.125	+0.0000 -0.0005	2.36	3.27	0.16	1/4 x 1/4 x 2
	699	171	5	M10 x 22	28	+0.015 +0.002	60			8 x 7 x 50
112	27.45	6.68	---	3/8-16 UNC x 0.87	1.250	+0.0000 -0.0005	2.36	3.27	0.16	1/4 x 1/4 x 2
	697	170	5	M10 x 22	28	+0.015 +0.002	60			8 x 7 x 50
132	30.73	9.96	---	3/8-16 UNC x 0.87	1.375	+0.0000 -0.0005	3.15	6.61	0.14	5/15 x 5/16 x 2-3/4
	781	253	5	M12 x 28	38	+0.018 +0.002	80			10 x 8 x 70
160	32.48	11.71	---	5/8-11 UNC x 1.42	1.625	+0.0000 -0.0010	4.33	8.46	0.14	3/8 x 3/8 x 3-1/2
	825	298	10	M16 x 36	42	+0.018 +0.002	110			12 x 8 x 90
180	33.29	12.52	---	3/4-10 UNC x 1.65	2.125	+0.0000 -0.0010	4.33	9.25	0.16	1/2 x 1/2 x 3-5/8
	846	318	10	M20 x 42	55	+0.030 +0.0011	110			16 x 10 x 90

Refer to page Engineering-4 for Input Flange and Shaft details.
Refer to page Engineering-8 and Engineering-9 for driven shaft dimensions.
Refer to page RHB-355 for Twin Tapered Bushing details.

NOMENCLATURE PAGE RHB-5	MOUNTING POSITIONS PAGE RHB-11	STOCK/NON-STOCK PART NUMBERS PAGE RHB-50	WEIGHTS PAGE RHB-372
----------------------------	-----------------------------------	---	-------------------------

DIMENSIONS



RIGHT ANGLE HELICAL BEVEL (RHB) Integral Gearmotor - Flange Mounted (B5 / B14) Triple Reduction Straight Hollow Bore Output Shaft

SIZE: BF128

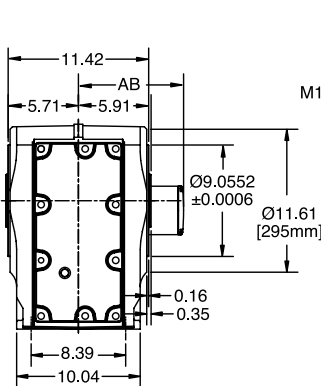
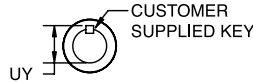
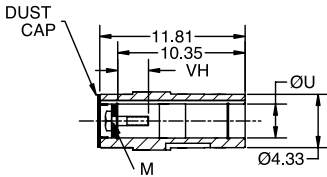
QUANTIS

QUANTIS GOLD

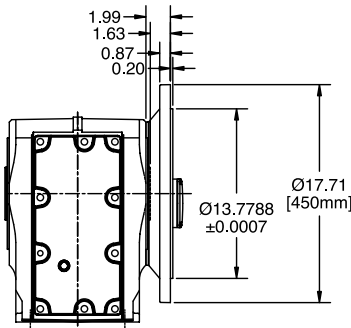
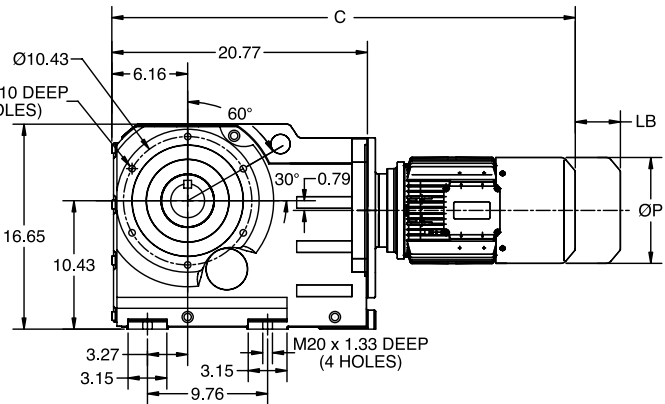
ILH

RHB

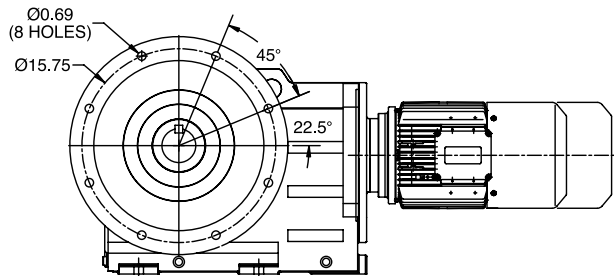
MSW



**B14 OUTPUT FLANGE -
Ø295mm**



**B5 OUTPUT FLANGE -
Ø450mm**



NOMENCLATURE PAGE RHB-5	MOUNTING POSITIONS PAGE RHB-11	STOCK/NON-STOCK PART NUMBERS PAGE RHB-50	WEIGHTS PAGE RHB-372
----------------------------	-----------------------------------	---	-------------------------

DIMENSIONS



RIGHT ANGLE HELICAL BEVEL (RHB) Integral Gearmotor - Flange Mounted (B5 / B14) Triple Reduction Straight Hollow Bore Output Shaft

SIZE: BF128

STANDARD HOLLOW OUTPUT SHAFT					Dimension - Inch/MM
ØU	tol.	UY	VH	KEY	M
2.750	+0.0012 +0.0004	3.04	2.51	5/8 x 5/8 x 6-1/8	3/4-10 x 3 UNC
70	+0.029 +0.010	75	68	20 x 12 x 110	M20 x 80

OPTIONAL HOLLOW OUTPUT SHAFT					Dimension - Inch/MM
ØU	tol.	UY	VH	KEY	M
2.9375	+0.0012 +0.0004	3.28	2.31	3/4 x 3/4 x 4-7/8	3/4-10 x 3 UNC
80	+0.029 +0.010	85	67	22 x 14 x 125	M20 x 85

MOTOR					Dimension - Inch/MM
Frame	C	LB	P	AB	
90H4	31.39	2.52	7.19	5.79	
	798	64	183	148	
90I4	32.27	2.52	7.19	5.79	
	820	64	183	148	
100J4	34.15	2.91	7.19	5.79	
	868	74	183	148	
112L4	35.79	2.91	8.6	6.88	
	910	74	219	175	
132M4	37.3	3.9	10.28	8.09	
	948	99	262	206	
132N4	38.8	3.9	10.28	8.09	
	986	99	262	206	

Refer to page Engineering-8 and Engineering-9 for driven shaft dimensions.
Refer to page RHB-355 for Twin Tapered Bushing details.

NOMENCLATURE PAGE RHB-5	MOUNTING POSITIONS PAGE RHB-11	STOCK/NON-STOCK PART NUMBERS PAGE RHB-50	WEIGHTS PAGE RHB-372
----------------------------	-----------------------------------	---	-------------------------

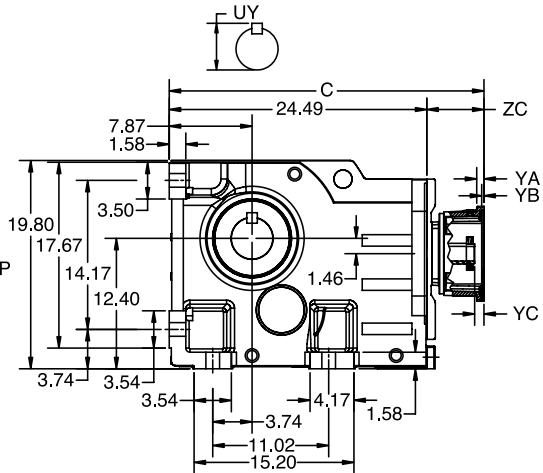
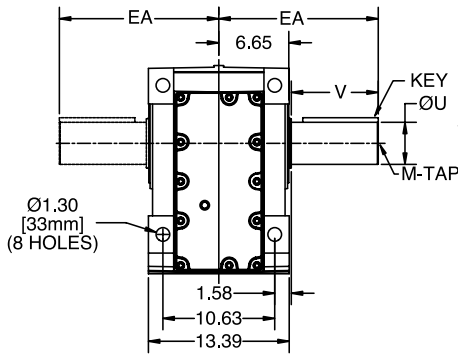
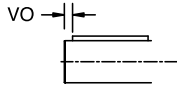
DIMENSIONS



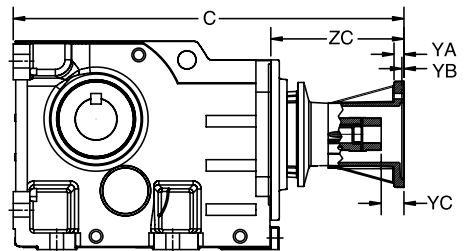
RIGHT ANGLE HELICAL BEVEL (RHB) NEMA C-Face - Foot Mounted - Clamp Collar / 3 Piece Coupled Triple Reduction Solid Output Shaft

SIZE: BB148

METRIC OUTPUT SHAFT



CLAMP COLLAR



THREE-PIECE COUPLED

NOMENCLATURE
PAGE RHB-5

MOUNTING POSITIONS
PAGE RHB-11

STOCK/NON-STOCK PART NUMBERS
PAGE RHB-50

WEIGHTS
PAGE RHB-372

DIMENSIONS



RIGHT ANGLE HELICAL BEVEL (RHB) NEMA C-Face - Foot Mounted - Clamp Collar / 3 Piece Coupled Triple Reduction Solid Output Shaft

SIZE: BB148

STANDARD SOLID OUTPUT SHAFT

Dimension - Inch/MM

ØU	tol.	UY	V	VO	KEY	M-TAP x DEPTH	EA
3.625	+0.0000 -0.0010	4.01	6.69	-	7/8 x 7/8 x 5-1/4	1-8 UNC x 1.97	13.58
90	+0.035 +0.013	95	170	15	25 x 14 x 140	M24 x 50	345

OPTIONAL SOLID OUTPUT SHAFT

Dimension - Inch/MM

ØU	tol.	UY	V	VO	KEY	M-TAP x DEPTH	EA
4.000	+0.0000 -0.0010	4.44	8.27	-	1 x 1 x 7-1/8	1-8 UNC x 1.97	15.16
100	+0.035 +0.013	106	210	15	28 x 16 x 180	M24 x 50	385

NEMA MOTOR ADAPTER - CLAMP COLLAR

Dimension - Inch

	C	ZC	YA	YB	YC
180TC	28.07	3.58	0.73	0.22	0.91
210TC	29.92	5.43	0.69	0.22	0.89
250TC	29.66	5.17	0.95	0.20	1.13
280TC	30.58	6.09	0.95	0.20	1.30
320TC	32.17	7.68	1.02	0.20	1.19

NEMA MOTOR ADAPTER - 3 PIECE COUPLED

Dimension - Inch

	C	ZC	YA	YB	YC
180TC	31.79	7.30	0.73	0.22	1.65
210TC	33.76	9.27	0.87	0.22	2.01
250TC	35.51	11.02	0.95	0.20	2.17
280TC	38.33	13.84	0.95	0.20	2.57
320TC	40.83	16.34	1.02	0.20	2.99

Refer to page Engineering-2 for Input Flange and Shaft details.

NOMENCLATURE PAGE RHB-5	MOUNTING POSITIONS PAGE RHB-11	STOCK/NON-STOCK PART NUMBERS PAGE RHB-50	WEIGHTS PAGE RHB-372
----------------------------	-----------------------------------	---	-------------------------

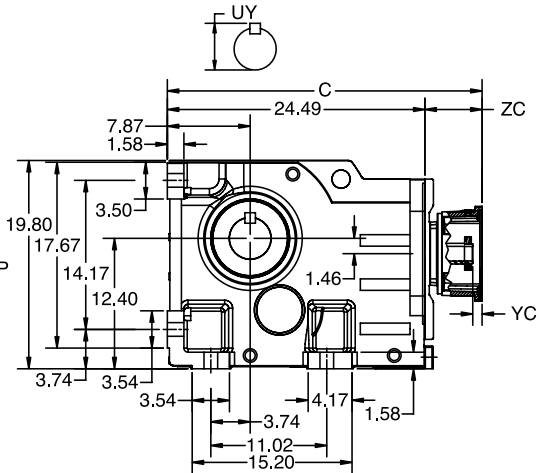
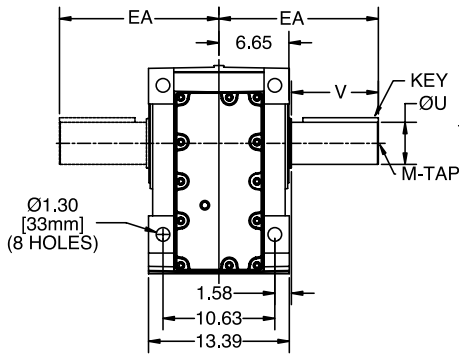
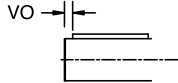
DIMENSIONS



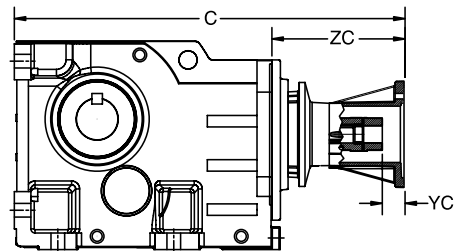
RIGHT ANGLE HELICAL BEVEL (RHB) IEC D Flange (B5 Input) - Foot Mounted - Clamp Collar / 3 Piece Coupled Triple Reduction Solid Output Shaft

SIZE: BB148

METRIC OUTPUT SHAFT



CLAMP COLLAR



THREE-PIECE COUPLED

NOMENCLATURE
PAGE RHB-5

MOUNTING POSITIONS
PAGE RHB-11

STOCK/NON-STOCK PART NUMBERS
PAGE RHB-50

WEIGHTS
PAGE RHB-372

DIMENSIONS



RIGHT ANGLE HELICAL BEVEL (RHB) IEC D Flange (B5 Input) - Foot Mounted - Clamp Collar / 3 Piece Coupled Triple Reduction Solid Output Shaft

SIZE: BB148

STANDARD SOLID OUTPUT SHAFT

Dimension - Inch/MM

ØU	tol.	UY	V	VO	KEY	M-TAP x DEPTH	EA
3.625	+0.0000 -0.0010	4.01	6.69	-	7/8 x 7/8 x 5-1/4	1-8 UNC x 1.97	13.58
90	+0.035 +0.013	95	170	15	25 x 14 x 140	M24 x 50	345

OPTIONAL SOLID OUTPUT SHAFT

Dimension - Inch/MM

ØU	tol.	UY	V	VO	KEY	M-TAP x DEPTH	EA
4.000	+0.0000 -0.0010	4.44	8.27	-	1 x 1 x 7-1/8	1-8 UNC x 1.97	15.16
100	+0.035 +0.013	106	210	15	28 x 16 x 180	M24 x 50	385

IEC MOTOR ADAPTER - CLAMP COLLAR

Dimension - Inch

	C	ZC	YC
100D	26.50	2.01	0.28
112D	26.69	2.20	0.28
132D	28.27	3.78	0.87
160D	29.77	5.28	0.79
180D	30.42	5.93	0.83
200D	30.81	6.32	1.18

IEC MOTOR ADAPTER - 3 PIECE COUPLED

Dimension - Inch

	C	ZC	YC
100D	31.32	6.83	1.18
112D	31.14	6.65	1.18
132D	33.53	9.04	1.77
160D	35.95	11.46	2.60
180D	38.05	13.56	2.32
200D	38.09	13.60	2.36
225D	41.38	16.89	3.54

Refer to page Engineering-3 for Input Flange and Shaft details.

NOMENCLATURE PAGE RHB-5	MOUNTING POSITIONS PAGE RHB-11	STOCK/NON-STOCK PART NUMBERS PAGE RHB-50	WEIGHTS PAGE RHB-372
----------------------------	-----------------------------------	---	-------------------------

DIMENSIONS

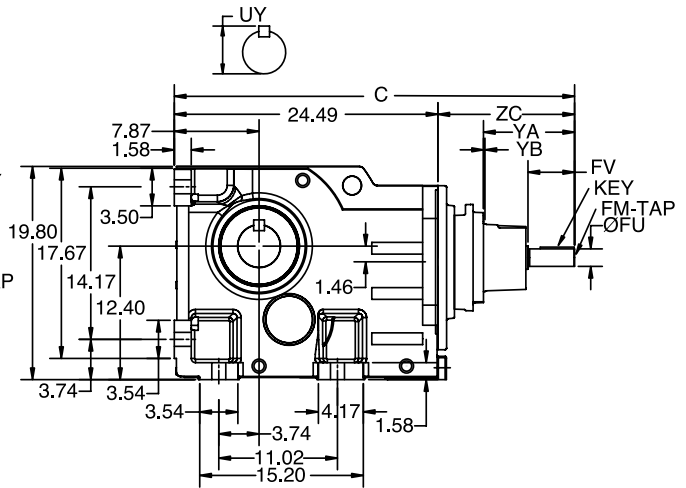
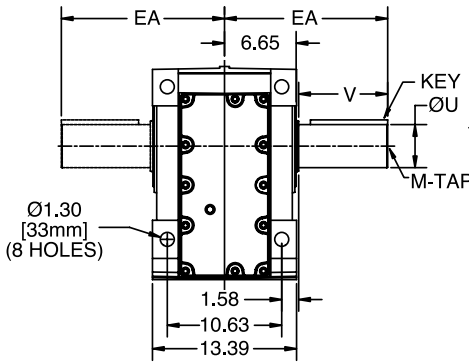
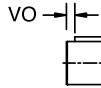


RIGHT ANGLE HELICAL BEVEL (RHB)

SIZE: BB148

Separate - Foot Mounted
Triple Reduction
Solid Output Shaft

METRIC OUTPUT SHAFT



METRIC INPUT SHAFT FO



NOMENCLATURE
PAGE RHB-5

MOUNTING POSITIONS
PAGE RHB-11

STOCK/NON-STOCK PART NUMBERS
PAGE RHB-50

WEIGHTS
PAGE RHB-372

RIGHT ANGLE HELICAL BEVEL (RHB)

SIZE: BB148

Separate - Foot Mounted
Triple Reduction
Solid Output Shaft

STANDARD SOLID OUTPUT SHAFT

Dimension - Inch/MM

ØU	tol.	UY	V	VO	KEY	M-TAP x DEPTH	EA
3.625	+0.0000 -0.0010	4.01	6.69	-	7/8 x 7/8 x 5-1/4	1-8 UNC x 1.97	13.58
90	+0.035 +0.013	95	170	15	25 x 14 x 140	M24 x 50	345

OPTIONAL SOLID OUTPUT SHAFT

Dimension - Inch/MM

ØU	tol.	UY	V	VO	KEY	M-TAP x DEPTH	EA
4.000	+0.0000 -0.0010	4.44	8.27	-	1 x 1 x 7-1/8	1-8 UNC x 1.97	15.16
100	+0.035 +0.013	106	210	15	28 x 16 x 180	M24 x 50	385

SEPARATE INPUT

Dimension - Inch/MM

	C	ZC	FO	FM x Depth	ØFU	tol.	FV	YA	YB	Key
100	30.85	6.36	---	3/8-16 UNC x 0.87	1.125	+0.0000 -0.0005	2.36	3.27	0.16	1/4 x 1/4 x 2
	784	162	5	M10 x 22	28	+0.015 +0.002	60			8 x 7 x 50
112	30.75	6.26	---	3/8-16 UNC x 0.87	1.250	+0.0000 -0.0005	2.36	3.27	0.16	1/4 x 1/4 x 2
	781	159	5	M10 x 22	28	+0.015 +0.002	60			8 x 7 x 50
132	34.04	9.55	---	3/8-16 UNC x 0.87	1.375	+0.0000 -0.0005	3.15	6.61	0.14	5/16 x 5/16 x 2-3/4
	865	243	5	M12 x 28	38	+0.018 +0.002	80			10 x 8 x 70
160	35.55	11.06	---	5/8-11 UNC x 1.42	1.625	+0.0000 -0.0010	4.33	8.46	0.14	3/8 x 3/8 x 3-1/2
	903	281	10	M16 x 36	42	+0.018 +0.002	110			12 x 8 x 90
180	36.48	11.99	---	3/4-10 UNC x 1.65	2.125	+0.0000 -0.0010	4.33	9.25	0.16	1/2 x 1/2 x 3-5/8
	927	305	10	M20 x 42	55	+0.030 +0.010	110			16 x 10 x 90
225	37.56	13.07	---	3/4-10 UNC x 1.65	2.125	+0.0000 -0.0010	4.33	9.02	0.14	1/2 x 1/2 x 3-5/8
	984	362	15	M20 x 42	60	+0.030 +0.011	140			18 x 11 x 110

Refer to page Engineering-4 for Input Flange and Shaft details.

NOMENCLATURE PAGE RHB-5	MOUNTING POSITIONS PAGE RHB-11	STOCK/NON-STOCK PART NUMBERS PAGE RHB-50	WEIGHTS PAGE RHB-372
----------------------------	-----------------------------------	---	-------------------------

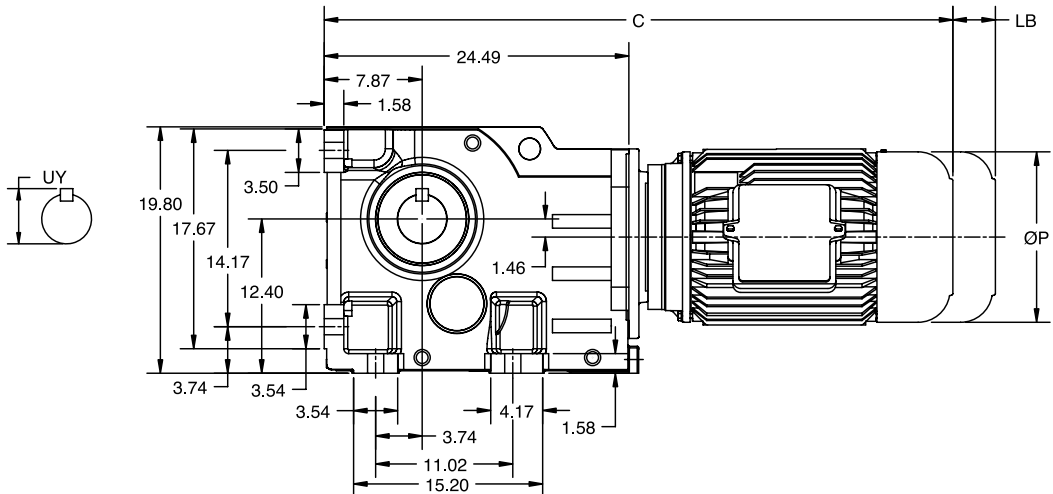
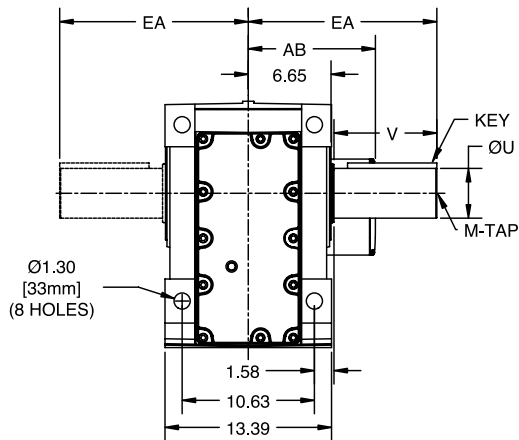
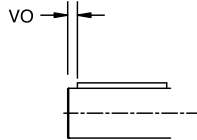
DIMENSIONS



RIGHT ANGLE HELICAL BEVEL (RHB) Integral Gearmotor - Foot Mounted Triple Reduction Solid Output Shaft

SIZE: BB148

METRIC OUTPUT SHAFT



NOMENCLATURE PAGE RHB-5	MOUNTING POSITIONS PAGE RHB-11	STOCK/NON-STOCK PART NUMBERS PAGE RHB-50	WEIGHTS PAGE RHB-372
----------------------------	-----------------------------------	---	-------------------------

QUANTIS

QUANTIS GOLD

ILH

RHB

MSW

DIMENSIONS



RIGHT ANGLE HELICAL BEVEL (RHB)

SIZE: BB148

Integral Gearmotor - Foot Mounted
Triple Reduction
Solid Output Shaft

STANDARD SOLID OUTPUT SHAFT

Dimension - Inch/MM

ØU	tol.	UY	V	VO	KEY	M-TAP x DEPTH	EA
3.625	+0.0000 -0.0010	4.01	6.69	-	7/8 x 7/8 x 5-1/4	1-8 UNC x 1.97	13.58
90	+0.035 +0.013	95	170	15	25 x 14 x 140	M24 x 50	345

OPTIONAL SOLID OUTPUT SHAFT

Dimension - Inch/MM

ØU	tol.	UY	V	VO	KEY	M-TAP x DEPTH	EA
4.000	+0.0000 -0.0010	4.44	8.27	-	1 x 1 x 7-1/8	1-8 UNC x 1.97	15.16
100	+0.035 +0.013	106	210	15	28 x 16 x 180	M24 x 50	385

MOTOR

Dimension - Inch/MM

Frame	C	LB	P	AB
100J4	37.50	2.91	7.19	5.79
	953	74	183	148
112L4	39.09	2.91	8.6	6.88
	993	74	219	175
132M4	40.61	3.9	10.28	8.09
	1032	99	262	206
132N4	42.11	3.9	10.28	8.09
	1070	99	262	206

NOMENCLATURE PAGE RHB-5	MOUNTING POSITIONS PAGE RHB-11	STOCK/NON-STOCK PART NUMBERS PAGE RHB-50	WEIGHTS PAGE RHB-372
----------------------------	-----------------------------------	---	-------------------------

DIMENSIONS



QUANTIS

QUANTIS GOLD

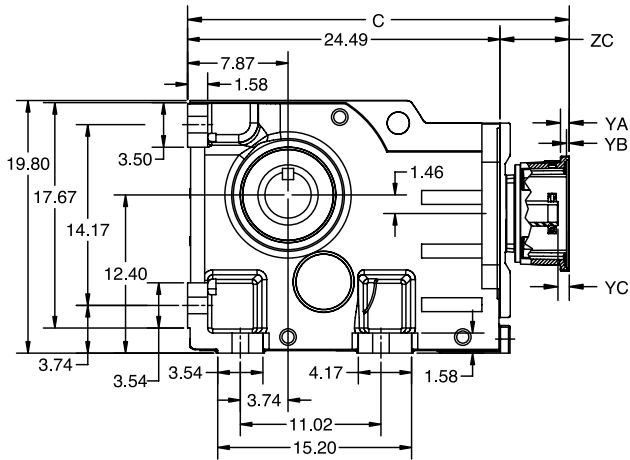
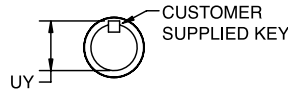
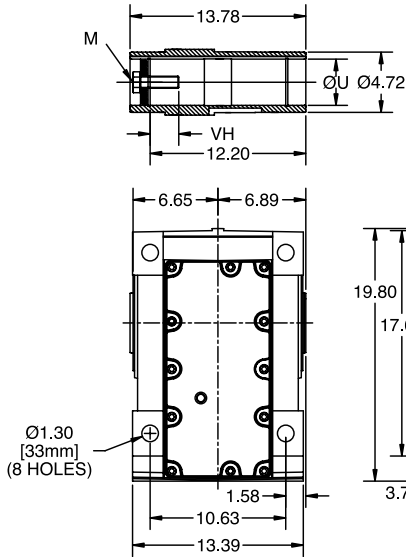
ILH

RHB

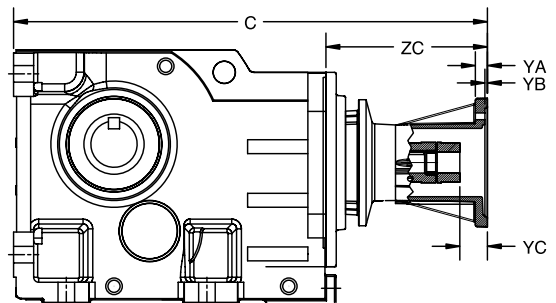
MSW

RIGHT ANGLE HELICAL BEVEL (RHB)
NEMA C-Face - Foot Mounted - Clamp Collar / 3 Piece Coupled
Triple Reduction
Straight Hollow Bore Output Shaft

SIZE: BB148



CLAMP COLLAR



THREE-PIECE COUPLED

NOMENCLATURE PAGE RHB-5	MOUNTING POSITIONS PAGE RHB-11	STOCK/NON-STOCK PART NUMBERS PAGE RHB-50	WEIGHTS PAGE RHB-372
----------------------------	-----------------------------------	---	-------------------------

RIGHT ANGLE HELICAL BEVEL (RHB)
NEMA C-Face - Foot Mounted - Clamp Collar / 3 Piece Coupled
Triple Reduction
Straight Hollow Bore Output Shaft

SIZE: BB148

QUANTIS

QUANTIS GOLD

ILH

RHB

MSM

STANDARD HOLLOW OUTPUT SHAFT

Dimension - Inch/MM

ØU	tol.	UY	VH	KEY	M
3.625	+0.0012 +0.0004	3.84	2.31	7/8 x 11/16 x 7-1/16	1-8 x 2-1/2 UNC
80	+0.034 +0.012	85	68	22 x 14 x 125	M20 x 85

OPTIONAL HOLLOW OUTPUT SHAFT

Dimension - Inch/MM

ØU	tol.	UY	VH	KEY	M
3.4375	+0.0014 +0.0005	3.70	2.29	7/8 x 3/4 x 7-7/16	1-8 x 2-1/2 UNC
90	+0.034 +0.012	95	77	25 x 14 x 140	M24 x 95

NEMA MOTOR ADAPTER - CLAMP COLLAR

Dimension - Inch

	C	ZC	YA	YB	YC
180TC	28.07	3.58	0.73	0.22	0.91
210TC	29.92	5.43	0.69	0.22	0.89
250TC	29.66	5.17	0.95	0.20	1.13
280TC	30.58	6.09	0.95	0.20	1.30
320TC	32.17	7.68	1.02	0.20	1.19

NEMA MOTOR ADAPTER - 3 PIECE COUPLED

Dimension - Inch

	C	ZC	YA	YB	YC
180TC	31.79	7.30	0.73	0.22	1.65
210TC	33.76	9.27	0.87	0.22	2.01
250TC	35.51	11.02	0.95	0.20	2.17
280TC	38.33	13.84	0.95	0.20	2.57
320TC	40.83	16.34	1.02	0.20	2.99

Refer to page Engineering-2 for Input Flange and Shaft details.
 Refer to page Engineering-8 and Engineering-9 for driven shaft dimensions.
 Refer to page RHB-356 for Twin Tapered Bushing details.

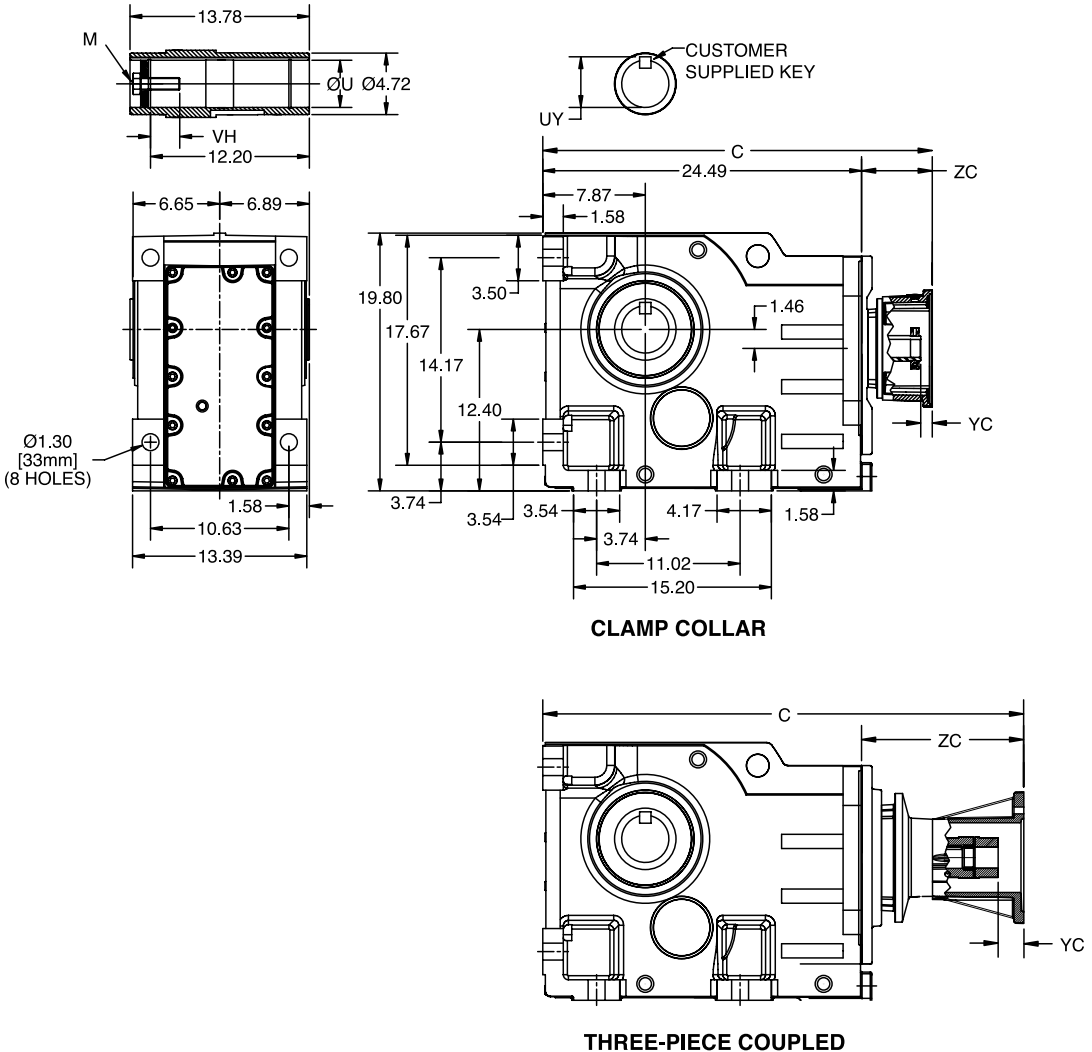
NOMENCLATURE PAGE RHB-5	MOUNTING POSITIONS PAGE RHB-11	STOCK/NON-STOCK PART NUMBERS PAGE RHB-60	WEIGHTS PAGE RHB-372
----------------------------	-----------------------------------	---	-------------------------

DIMENSIONS



RIGHT ANGLE HELICAL BEVEL (RHB)
IEC D Flange (B5 Input) - Foot Mounted - Clamp Collar / 3 Piece Coupled
Triple Reduction
Straight Hollow Bore Output Shaft

SIZE: BB148



NOMENCLATURE
PAGE RHB-5

MOUNTING POSITIONS
PAGE RHB-11

STOCK/NON-STOCK PART NUMBERS
PAGE RHB-50

WEIGHTS
PAGE RHB-372

DIMENSIONS



RIGHT ANGLE HELICAL BEVEL (RHB) IEC D Flange (B5 Input) - Foot Mounted - Clamp Collar / 3 Piece Coupled Triple Reduction Straight Hollow Bore Output Shaft

SIZE: BB148

STANDARD HOLLOW OUTPUT SHAFT

Dimension - Inch/MM

ØU	tol.	UY	VH	KEY	M
3.625	+0.0012 +0.0004	3.84	2.31	7/8 x 11/16 x 7-1/16	1-8 x 2-1/2 UNC
80	+0.034 +0.012	85	68	22 x 14 x 125	M20 x 85

OPTIONAL HOLLOW OUTPUT SHAFT

Dimension - Inch/MM

ØU	tol.	UY	VH	KEY	M
3.4375	+0.0014 +0.0005	3.70	2.29	7/8 x 3/4 x 7-7/16	1-8 x 2-1/2 UNC
90	+0.034 +0.012	95	77	25 x 14 x 140	M24 x 95

IEC MOTOR ADAPTER - CLAMP COLLAR

Dimension - Inch

	C	ZC	YC
100D	26.50	2.01	0.28
112D	26.69	2.20	0.28
132D	28.27	3.78	0.87
160D	29.77	5.28	0.79
180D	30.42	5.93	0.83
200D	30.81	6.32	1.18

IEC MOTOR ADAPTER - 3 PIECE COUPLED

Dimension - Inch

	C	ZC	YC
100D	31.32	6.83	1.18
112D	31.14	6.65	1.18
132D	33.53	9.04	1.77
160D	35.95	11.46	2.60
180D	38.05	13.56	2.32
200D	38.09	13.60	2.36
225D	41.38	16.89	3.54

Refer to page Engineering-3 for Input Flange and Shaft details.
Refer to page Engineering-8 and Engineering-9 for driven shaft dimensions.
Refer to page RHB-356 for Twin Tapered Bushing details.

NOMENCLATURE PAGE RHB-5	MOUNTING POSITIONS PAGE RHB-11	STOCK/NON-STOCK PART NUMBERS PAGE RHB-50	WEIGHTS PAGE RHB-372
----------------------------	-----------------------------------	---	-------------------------

DIMENSIONS



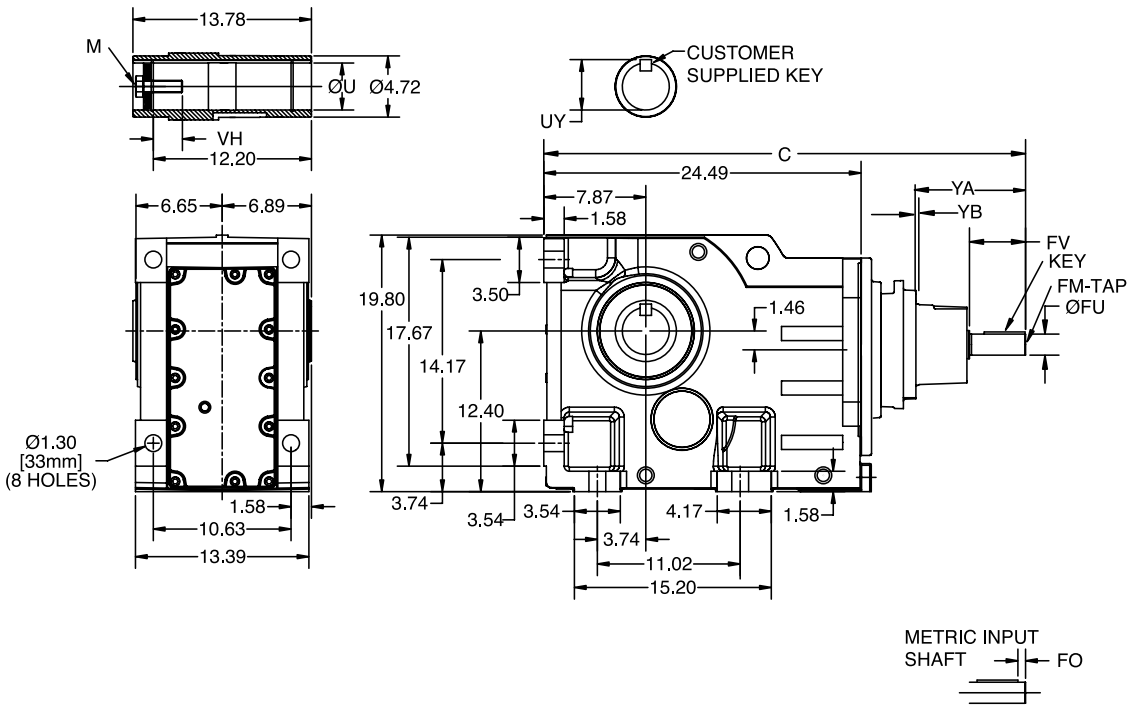
RIGHT ANGLE HELICAL BEVEL (RHB)

SIZE: BB148

Separate - Foot Mounted

Triple Reduction

Straight Hollow Bore Output Shaft



QUANTIS

QUANTIS GOLD

ILH

RHB

MSW

NOMENCLATURE PAGE RHB-5	MOUNTING POSITIONS PAGE RHB-11	STOCK/NON-STOCK PART NUMBERS PAGE RHB-50	WEIGHTS PAGE RHB-372
----------------------------	-----------------------------------	---	-------------------------

RIGHT ANGLE HELICAL BEVEL (RHB)

SIZE: BB148

Separate - Foot Mounted
Triple Reduction
Straight Hollow Bore Output Shaft

STANDARD HOLLOW OUTPUT SHAFT

Dimension - Inch/MM

ØU	tol.	UY	VH	KEY	M
3.625	+0.0012 +0.0004	3.84	2.31	7/8 x 11/16 x 7-1/16	1-8 x 2-1/2 UNC
80	+0.034 +0.012	85	68	22 x 14 x 125	M20 x 85

OPTIONAL HOLLOW OUTPUT SHAFT

Dimension - Inch/MM

ØU	tol.	UY	VH	KEY	M
3.4375	+0.0014 +0.0005	3.70	2.29	7/8 x 3/4 x 7-7/16	1-8 x 2-1/2 UNC
90	+0.034 +0.012	95	77	25 x 14 x 140	M24 x 95

SEPARATE INPUT

Dimension - Inch/MM

	C	ZC	FO	FM x Depth	ØFU	tol.	FV	YA	YB	Key
100	30.85	6.36	---	3/8-16 UNC x 0.87	1.125	+0.0000 -0.0005	2.36	3.27	0.16	1/4 x 1/4 x 2
	784	162	5	M10 x 22	28	+0.015 +0.002	60			8 x 7 x 50
112	30.75	6.26	---	3/8-16 UNC x 0.87	1.250	+0.0000 -0.0005	2.36	3.27	0.16	1/4 x 1/4 x 2
	781	159	5	M10 x 22	28	+0.015 +0.002	60			8 x 7 x 50
132	34.04	9.55	---	3/8-16 UNC x 0.87	1.375	+0.0000 -0.0005	3.15	6.61	0.14	5/16 x 5/16 x 2-3/4
	865	243	5	M12 x 28	38	+0.018 +0.002	80			10 x 8 x 70
160	35.55	11.06	---	5/8-11 UNC x 1.42	1.625	+0.0000 -0.0010	4.33	8.46	0.14	3/8 x 3/8 x 3-1/2
	903	281	10	M16 x 36	42	+0.018 +0.002	110			12 x 8 x 90
180	36.48	11.99	---	3/4-10 UNC x 1.65	2.125	+0.0000 -0.0010	4.33	9.25	0.16	1/2 x 1/2 x 3-5/8
	927	305	10	M20 x 42	55	+0.030 +0.011	110			16 x 10 x 90
225	37.56	13.07	---	3/4-10 UNC x 1.65	2.125	+0.0000 -0.0010	4.33	9.02	0.14	1/2 x 1/2 x 3-5/8
	984	362	15	M20 x 42	60	+0.030 +0.011	140			18 x 11 x 110

Refer to page Engineering-4 for Input Flange and Shaft details.
Refer to page Engineering-8 and Engineering-9 for driven shaft dimensions.
Refer to page RHB-356 for Twin Tapered Bushing details.

NOMENCLATURE PAGE RHB-5	MOUNTING POSITIONS PAGE RHB-11	STOCK/NON-STOCK PART NUMBERS PAGE RHB-50	WEIGHTS PAGE RHB-372
----------------------------	-----------------------------------	---	-------------------------

DIMENSIONS



QUANTIS

RIGHT ANGLE HELICAL BEVEL (RHB) Integral Gearmotor - Foot Mounted Triple Reduction Straight Hollow Bore Output Shaft

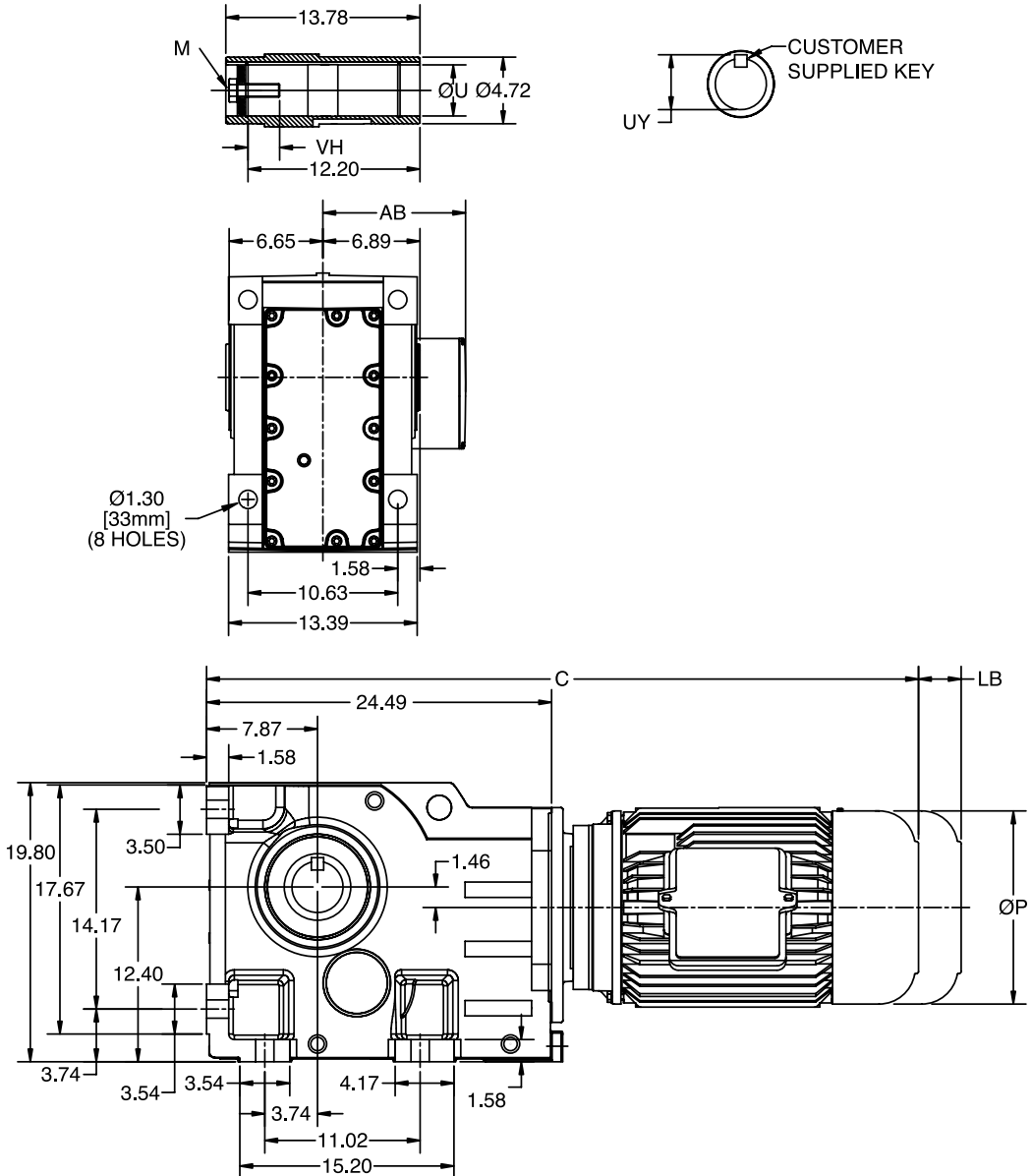
SIZE: BB148

QUANTIS GOLD

ILH

RHB

MSM



NOMENCLATURE
PAGE RHB-5

MOUNTING POSITIONS
PAGE RHB-11

STOCK/NON-STOCK PART NUMBERS
PAGE RHB-50

WEIGHTS
PAGE RHB-372

DIMENSIONS



RIGHT ANGLE HELICAL BEVEL (RHB)

SIZE: BB148

Integral Gearmotor - Foot Mounted

Triple Reduction

Straight Hollow Bore Output Shaft

STANDARD HOLLOW OUTPUT SHAFT

Dimension - Inch/MM

ØU	tol.	UY	VH	KEY	M
3.625	+0.0012 +0.0004	3.89	2.31	7/8 x 11/16 x 7-1/16	1-8 x 2-1/2 UNC
80	+0.034 +0.012	85	68	22 x 14 x 125	M20 x 85

OPTIONAL HOLLOW OUTPUT SHAFT

Dimension - Inch/MM

ØU	tol.	UY	VH	KEY	M
3.4375	+0.0014 +0.0005	3.70	2.29	7/8 x 3/4 x 7-7/16	1-8 x 2-1/2 UNC
90	+0.034 +0.012	95	77	25 x 14 x 140	M24 x 95

MOTOR

Dimension - Inch/MM

Frame	C	LB	P	AB
100J4	37.5	2.91	7.19	5.79
	953	74	183	148
112L4	39.09	2.91	8.6	6.88
	993	74	219	175
132M4	40.61	3.9	10.28	8.09
	1032	99	262	206
132N4	42.11	3.9	10.28	8.09
	1070	99	262	206

Refer to page Engineering-8 and Engineering-9 for driven shaft dimensions.

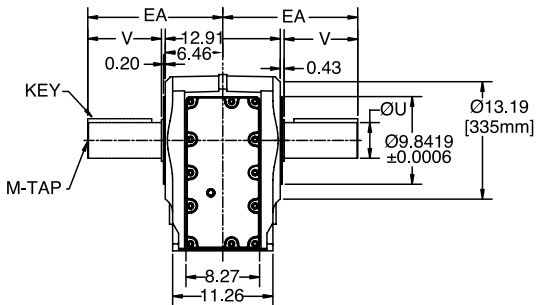
Refer to page RHB-356 for Twin Tapered Bushing details.

NOMENCLATURE PAGE RHB-5	MOUNTING POSITIONS PAGE RHB-11	STOCK/NON-STOCK PART NUMBERS PAGE RHB-50	WEIGHTS PAGE RHB-372
----------------------------	-----------------------------------	---	-------------------------

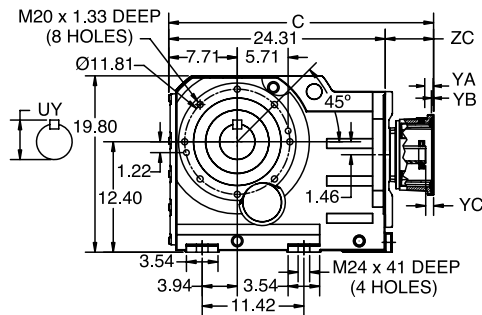
RIGHT ANGLE HELICAL BEVEL (RHB)

SIZE: BF148

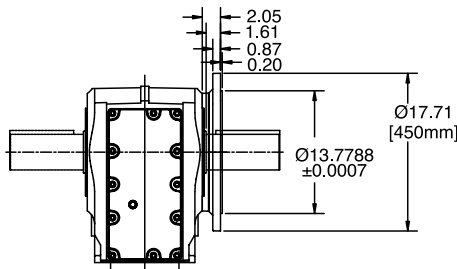
NEMA C-Face - Flange Mounted (B5 / B14) - Clamp Collar / 3 Piece Coupled
Triple Reduction
Solid Output Shaft



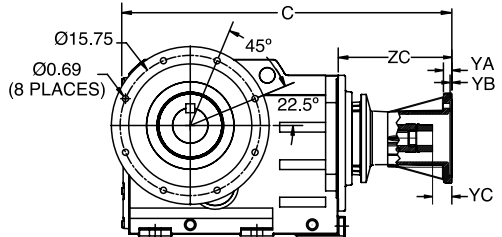
**B14 OUTPUT FLANGE -
Ø335mm**



CLAMP COLLAR

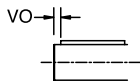


**B5 OUTPUT FLANGE -
Ø450mm**



THREE-PIECE COUPLED

METRIC OUTPUT SHAFT



NOMENCLATURE PAGE RHB-5	MOUNTING POSITIONS PAGE RHB-11	STOCK/NON-STOCK PART NUMBERS PAGE RHB-50	WEIGHTS PAGE RHB-372
----------------------------	-----------------------------------	---	-------------------------

DIMENSIONS



RIGHT ANGLE HELICAL BEVEL (RHB) NEMA C-Face - Flange Mounted (B5 / B14) - Clamp Collar / 3 Piece Coupled Triple Reduction Solid Output Shaft

SIZE: BF148

STANDARD SOLID OUTPUT SHAFT

Dimension - Inch/MM

ØU	tol.	UY	V	VO	KEY	M-TAP x DEPTH	EA
3.625	+0.0000 -0.0010	4.01	6.69	-	7/8 x 7/8 x 5-1/4	1-8 UNC x 1.97	13.58
90	+0.035 +0.013	95	170	15	25 x 14 x 140	M24 x 50	345

OPTIONAL SOLID OUTPUT SHAFT

Dimension - Inch/MM

ØU	tol.	UY	V	VO	KEY	M-TAP x DEPTH	EA
4.000	+0.0000 -0.0010	4.44	8.27	-	1 x 1 x 7-1/8	1-8 UNC x 1.97	15.16
100	+0.035 +0.013	106	210	15	28 x 16 x 180	M24 x 50	385

NEMA MOTOR ADAPTER - CLAMP COLLAR

Dimension - Inch

	C	ZC	YA	YB	YC
180TC	27.89	3.58	0.73	0.22	0.91
210TC	29.74	5.43	0.69	0.22	0.89
250TC	29.48	5.17	0.95	0.20	1.13
280TC	30.40	6.09	0.95	0.20	1.30
320TC	31.99	7.68	1.02	0.20	1.19

NEMA MOTOR ADAPTER - 3 PIECE COUPLED

Dimension - Inch

	C	ZC	YA	YB	YC
180TC	31.61	7.30	0.73	0.22	1.65
210TC	33.58	9.27	0.87	0.22	2.01
250TC	35.33	11.02	0.95	0.20	2.17
280TC	38.15	13.84	0.95	0.20	2.57
320TC	40.65	16.34	1.02	0.20	2.99

Refer to page Engineering-2 for Input Flange and Shaft details.

NOMENCLATURE PAGE RHB-5	MOUNTING POSITIONS PAGE RHB-11	STOCK/NON-STOCK PART NUMBERS PAGE RHB-50	WEIGHTS PAGE RHB-372
----------------------------	-----------------------------------	---	-------------------------

DIMENSIONS



QUANTIS

QUANTIS GOLD

ILH

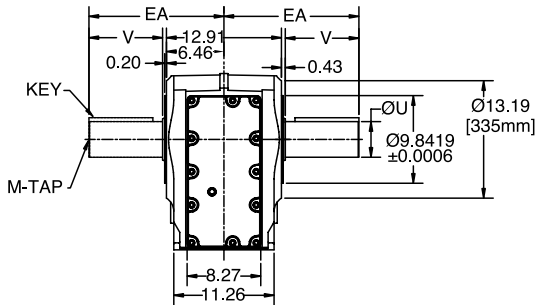
RHB

MSW

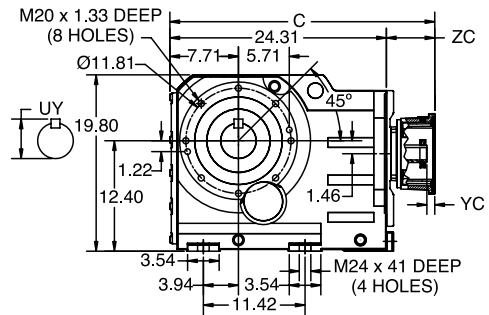
RIGHT ANGLE HELICAL BEVEL (RHB)

SIZE: BF148

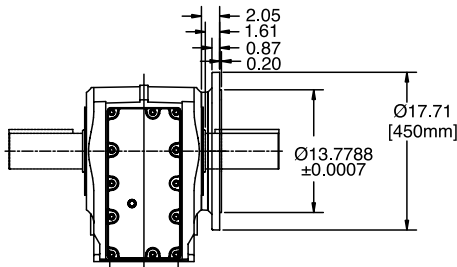
IEC D Flange (B5 Input) - Flange Mounted (B5 / B14) - Clamp Collar / 3 Piece Coupled
Triple Reduction
Solid Output Shaft



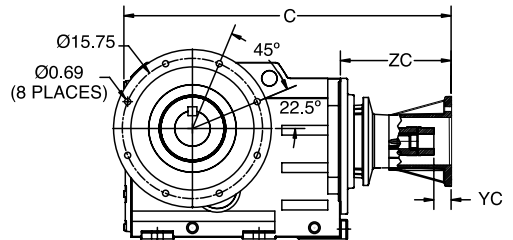
**B14 OUTPUT FLANGE -
Ø335mm**



CLAMP COLLAR

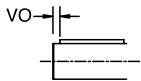


**B5 OUTPUT FLANGE -
Ø450mm**



THREE-PIECE COUPLED

METRIC OUTPUT SHAFT



NOMENCLATURE
PAGE RHB-5

MOUNTING POSITIONS
PAGE RHB-11

STOCK/NON-STOCK PART NUMBERS
PAGE RHB-50

WEIGHTS
PAGE RHB-372

DIMENSIONS



RIGHT ANGLE HELICAL BEVEL (RHB) SIZE: BF148 IEC D Flange (B5 Input) - Flange Mounted (B5 / B14) - Clamp Collar / 3 Piece Coupled Triple Reduction Solid Output Shaft

STANDARD SOLID OUTPUT SHAFT

Dimension - Inch/MM

ØU	tol.	UY	V	VO	KEY	M-TAP x DEPTH	EA
3.625	+0.0000 -0.0010	4.01	6.69	-	7/8 x 7/8 x 5-1/4	1-8 UNC x 1.97	13.58
90	+0.035 +0.013	95	170	15	25 x 14 x 140	M24 x 50	345

OPTIONAL SOLID OUTPUT SHAFT

Dimension - Inch/MM

ØU	tol.	UY	V	VO	KEY	M-TAP x DEPTH	EA
4.000	+0.0000 -0.0010	4.44	8.27	-	1 x 1 x 7-1/8	1-8 UNC x 1.97	15.16
100	+0.035 +0.013	106	210	15	28 x 16 x 180	M24 x 50	385

IEC MOTOR ADAPTER - CLAMP COLLAR

Dimension - Inch

	C	ZC	YC
100D	26.32	2.01	0.28
112D	26.51	2.20	0.28
132D	28.09	3.78	0.87
160D	29.59	5.28	0.79
180D	30.24	5.93	0.83
200D	30.63	6.32	1.18

IEC MOTOR ADAPTER - 3 PIECE COUPLED

Dimension - Inch

	C	ZC	YC
100D	31.14	6.83	1.18
112D	30.96	6.65	1.18
132D	33.35	9.04	1.77
160D	35.77	11.46	2.60
180D	37.87	13.56	2.32
200D	37.91	13.60	2.36
225D	41.20	16.89	3.54

Refer to page Engineering-3 for Input Flange and Shaft details.

NOMENCLATURE PAGE RHB-5	MOUNTING POSITIONS PAGE RHB-11	STOCK/NON-STOCK PART NUMBERS PAGE RHB-50	WEIGHTS PAGE RHB-372
----------------------------	-----------------------------------	---	-------------------------

DIMENSIONS



RIGHT ANGLE HELICAL BEVEL (RHB) Separate - Flange Mounted (B5 / B14) Triple Reduction Solid Output Shaft

SIZE: BF148

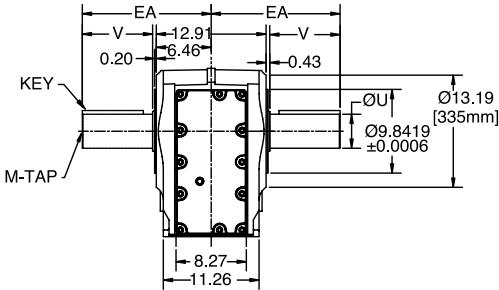
QUANTIS

QUANTIS GOLD

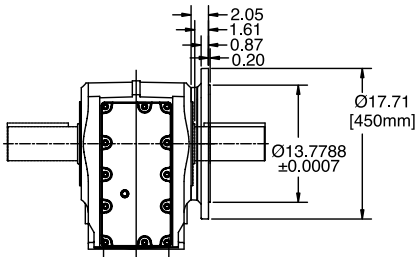
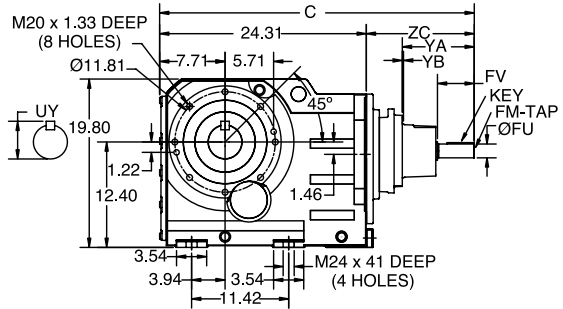
ILH

RHB

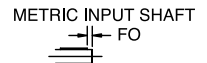
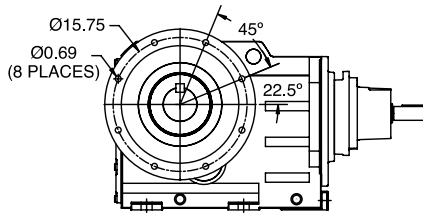
MSW



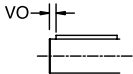
**B14 OUTPUT FLANGE -
Ø335mm**



**B5 OUTPUT FLANGE -
Ø450mm**



METRIC OUTPUT SHAFT



NOMENCLATURE PAGE RHB-5	MOUNTING POSITIONS PAGE RHB-11	STOCK/NON-STOCK PART NUMBERS PAGE RHB-50	WEIGHTS PAGE RHB-372
----------------------------	-----------------------------------	---	-------------------------

RIGHT ANGLE HELICAL BEVEL (RHB)

SIZE: BF148

Separate - Flange Mounted (B5 / B14)

Triple Reduction

Solid Output Shaft

STANDARD SOLID OUTPUT SHAFT

Dimension - Inch/MM

ØU	tol.	UY	V	VO	KEY	M-TAP x DEPTH	EA
3.625	+0.0000 -0.0010	4.01	6.69	-	7/8 x 7/8 x 5-1/4	1-8 UNC x 1.97	13.58
90	+0.035 +0.013	95	170	15	25 x 14 x 140	M24 x 50	345

OPTIONAL SOLID OUTPUT SHAFT

Dimension - Inch/MM

ØU	tol.	UY	V	VO	KEY	M-TAP x DEPTH	EA
4.000	+0.0000 -0.0010	4.44	8.27	-	1 x 1 x 7-1/8	1-8 UNC x 1.97	15.16
100	+0.035 +0.013	106	210	15	28 x 16 x 180	M24 x 50	385

SEPARATE INPUT

Dimension - Inch/MM

	C	ZC	FO	FM x Depth	ØFU	tol.	FV	YA	YB	Key
100	30.67	6.36	---	3/8-16 UNC x 0.87	1.125	+0.0000 -0.0005	2.36	3.27	0.16	1/4 x 1/4 x 2
	780	162	5	M10 x 22	28	+0.015 +0.002	60			8 x 7 x 50
112	30.57	6.26	---	3/8-16 UNC x 0.87	1.250	+0.0000 -0.0005	2.36	3.27	0.16	1/4 x 1/4 x 2
	777	159	5	M10 x 22	28	+0.015 +0.002	60			8 x 7 x 50
132	33.86	9.55	---	3/8-16 UNC x 0.87	1.375	+0.0000 -0.0005	3.15	6.61	0.14	5/16 x 5/16 x 2-3/4
	861	243	5	M12 x 28	38	+0.018 +0.002	80			10 x 8 x 70
160	35.37	11.06	---	5/8-11 UNC x 1.42	1.625	+0.0000 -0.0010	4.33	8.46	0.14	3/8 x 3/8 x 3-1/2
	899	281	10	M16 x 36	42	+0.018 +0.002	110			12 x 8 x 90
180	36.30	11.99	---	3/4-10 UNC x 1.65	2.125	+0.0000 -0.0010	4.33	9.25	0.16	1/2 x 1/2 x 3-5/8
	923	305	10	M20 x 42	55	+0.030 +0.011	110			16 x 10 x 90
225	37.38	13.07	---	3/4-10 UNC x 1.65	2.125	+0.0000 -0.0010	4.33	9.02	0.14	1/2 x 1/2 x 3-5/8
	980	362	15	M20 x 42	60	+0.030 +0.011	140			18 x 11 x 110

Refer to page Engineering-4 for Input Flange and Shaft details.

NOMENCLATURE PAGE RHB-5	MOUNTING POSITIONS PAGE RHB-11	STOCK/NON-STOCK PART NUMBERS PAGE RHB-50	WEIGHTS PAGE RHB-372
----------------------------	-----------------------------------	---	-------------------------

DIMENSIONS



RIGHT ANGLE HELICAL BEVEL (RHB) Integral Gearmotor - Flange Mounted (B5 / B14) Triple Reduction Solid Output Shaft

SIZE: BF148

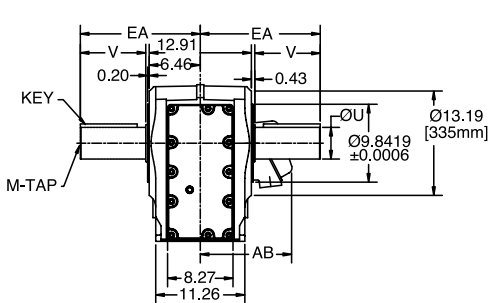
QUANTIS

QUANTIS GOLD

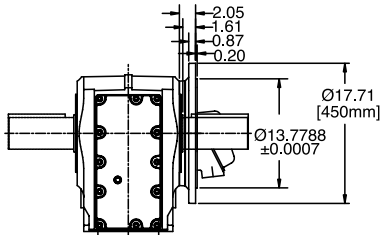
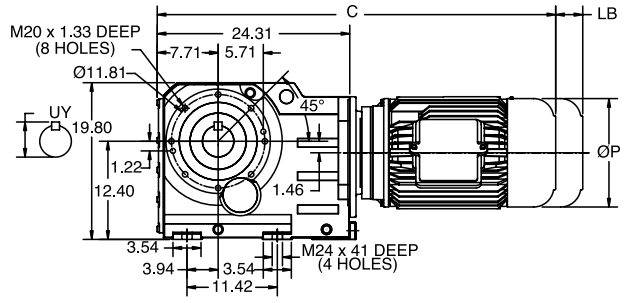
ILH

RHB

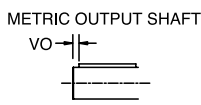
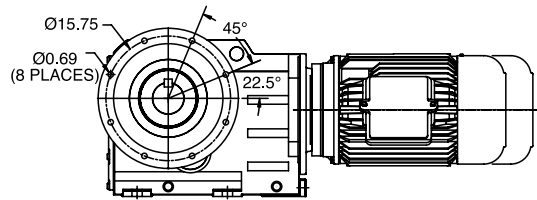
MSW



B14 OUTPUT FLANGE - Ø335mm



B5 OUTPUT FLANGE - Ø450mm



NOMENCLATURE PAGE RHB-5	MOUNTING POSITIONS PAGE RHB-11	STOCK/NON-STOCK PART NUMBERS PAGE RHB-50	WEIGHTS PAGE RHB-372
----------------------------	-----------------------------------	---	-------------------------

DIMENSIONS



RIGHT ANGLE HELICAL BEVEL (RHB) Integral Gearmotor - Flange Mounted (B5 / B14) Triple Reduction Solid Output Shaft

SIZE: BF148

STANDARD SOLID OUTPUT SHAFT

Dimension - Inch/MM

ØU	tol.	UY	V	VO	KEY	M-TAP x DEPTH	EA
3.625	+0.0000 -0.0010	4.01	6.69	-	7/8 x 7/8 x 5-1/4	1-8 UNC x 1.97	13.58
90	+0.035 +0.013	95	170	15	25 x 14 x 140	M24 x 50	345

OPTIONAL SOLID OUTPUT SHAFT

Dimension - Inch/MM

ØU	tol.	UY	V	VO	KEY	M-TAP x DEPTH	EA
4.000	+0.0000 -0.0010	4.44	8.27	-	1 x 1 x 7-1/8	1-8 UNC x 1.97	15.16
100	+0.035 +0.013	106	210	15	28 x 16 x 180	M24 x 50	385

MOTOR

Dimension - Inch/MM

Frame	C	LB	P	AB
100J4	37.34	2.91	7.19	5.79
	949	74	183	148
112L4	38.93	2.91	8.6	6.88
	989	74	219	175
132M4	40.45	3.9	10.28	8.09
	1028	99	262	206
132N4	41.95	3.9	10.28	8.09
	1066	99	262	206

QUANTIS

QUANTIS GOLD

ILH

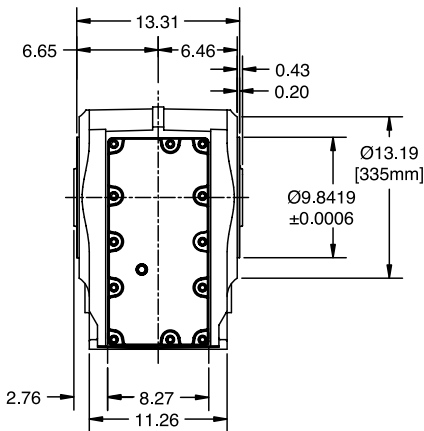
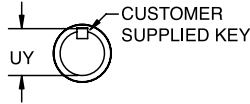
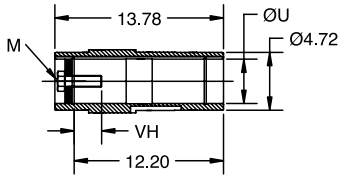
RHB

MSM

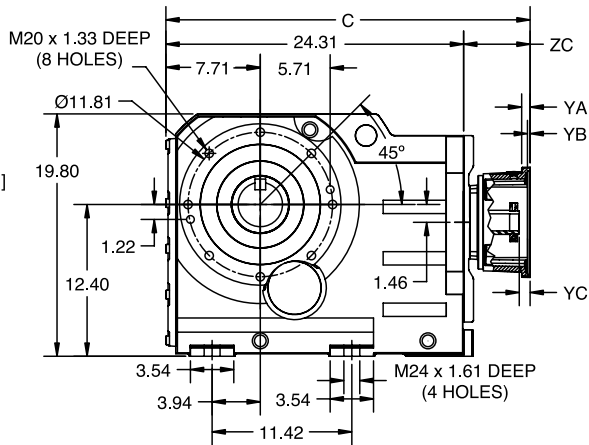
NOMENCLATURE PAGE RHB-5	MOUNTING POSITIONS PAGE RHB-11	STOCK/NON-STOCK PART NUMBERS PAGE RHB-50	WEIGHTS PAGE RHB-372
----------------------------	-----------------------------------	---	-------------------------

RIGHT ANGLE HELICAL BEVEL (RHB)
NEMA C-Face - Flange Mounted (B5 / B14) - Clamp Collar / 3 Piece Coupled
Triple Reduction
Straight Hollow Bore Output Shaft

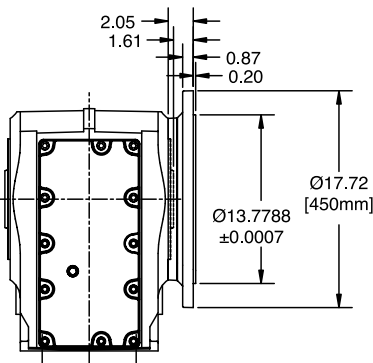
SIZE: BF148



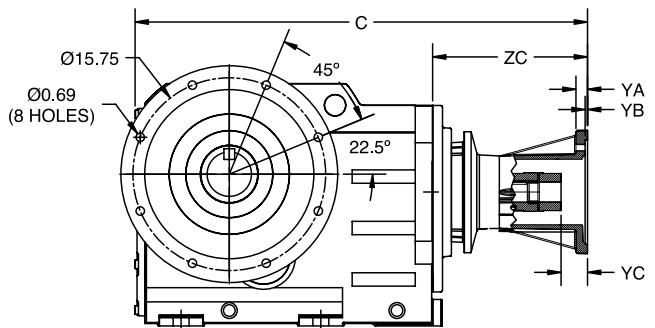
B14 OUTPUT FLANGE -
Ø335mm



CLAMP COLLAR



B5 OUTPUT FLANGE -
Ø450mm



THREE-PIECE COUPLED

NOMENCLATURE PAGE RHB-5	MOUNTING POSITIONS PAGE RHB-11	STOCK/NON-STOCK PART NUMBERS PAGE RHB-50	WEIGHTS PAGE RHB-372
----------------------------	-----------------------------------	---	-------------------------

RIGHT ANGLE HELICAL BEVEL (RHB)
NEMA C-Face - Flange Mounted (B5 / B14) - Clamp Collar / 3 Piece Coupled
Triple Reduction
Straight Hollow Bore Output Shaft

SIZE: BF148

STANDARD HOLLOW OUTPUT SHAFT

Dimension - Inch/MM

ØU	tol.	UY	VH	KEY	M
3.625	+0.0012 +0.0004	3.84	2.31	7/8 x 11/16 x 7-1/16	1-8 x 2-1/2 UNC
80	+0.034 +0.012	85	68	22 x 14 x 125	M20 x 85

OPTIONAL HOLLOW OUTPUT SHAFT

Dimension - Inch/MM

ØU	tol.	UY	VH	KEY	M
3.4375	+0.0014 +0.0005	3.70	2.29	7/8 x 3/4 x 7-7/16	1-8 x 2-1/2 UNC
90	+0.034 +0.012	95	77	25 x 14 x 140	M24 x 95

NEMA MOTOR ADAPTER - CLAMP COLLAR

Dimension - Inch

	C	ZC	YA	YB	YC
180TC	27.89	3.58	0.73	0.22	0.91
210TC	29.74	5.43	0.69	0.22	0.89
250TC	29.48	5.17	0.95	0.20	1.13
280TC	30.40	6.09	0.95	0.20	1.30
320TC	31.99	7.68	1.02	0.20	1.19

NEMA MOTOR ADAPTER - 3 PIECE COUPLED

Dimension - Inch

	C	ZC	YA	YB	YC
180TC	31.61	7.30	0.73	0.22	1.65
210TC	33.58	9.27	0.87	0.22	2.01
250TC	35.33	11.02	0.95	0.20	2.17
280TC	38.15	13.84	0.95	0.20	2.57
320TC	40.65	16.34	1.02	0.20	2.99

Refer to page Engineering-2 for Input Flange and Shaft details.
 Refer to page Engineering-8 and Engineering-9 for driven shaft dimensions.
 Refer to page RHB-356 for Twin Tapered Bushing details.

NOMENCLATURE PAGE RHB-5	MOUNTING POSITIONS PAGE RHB-11	STOCK/NON-STOCK PART NUMBERS PAGE RHB-50	WEIGHTS PAGE RHB-372
----------------------------	-----------------------------------	---	-------------------------

DIMENSIONS



QUANTIS

QUANTIS GOLD

ILH

RHB

MSW

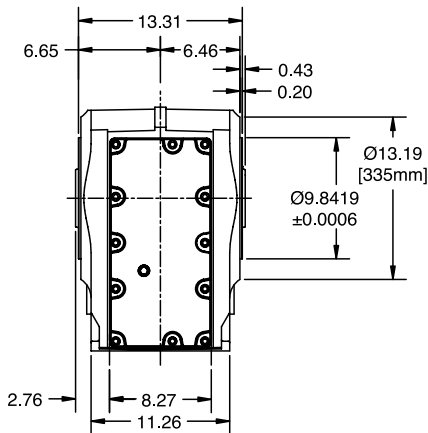
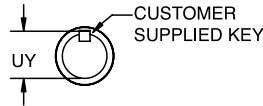
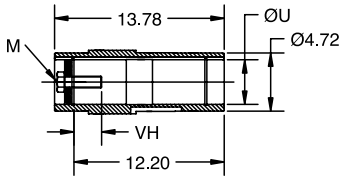
RIGHT ANGLE HELICAL BEVEL (RHB)

SIZE: BF148

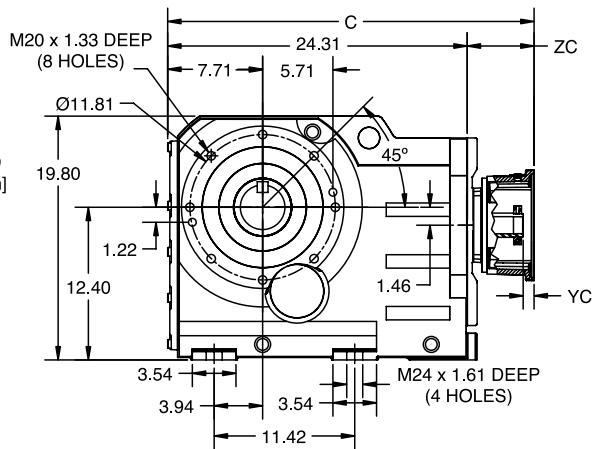
IEC D Flange (B5 Input) - Flange Mounted (B5 / B14) - Clamp Collar / 3 Piece Coupled

Triple Reduction

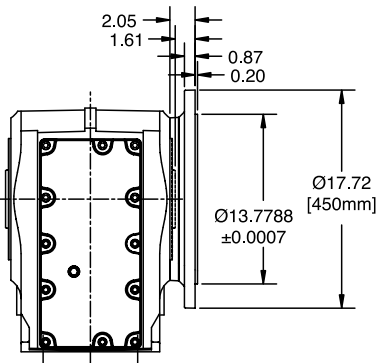
Straight Hollow Bore Output Shaft



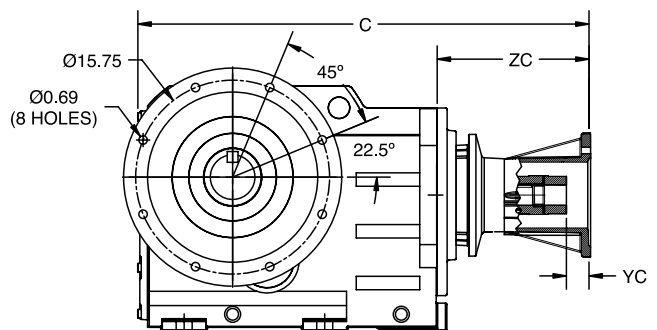
B14 OUTPUT FLANGE -
Ø335mm



CLAMP COLLAR



B5 OUTPUT FLANGE -
Ø450mm



THREE-PIECE COUPLED

NOMENCLATURE PAGE RHB-5	MOUNTING POSITIONS PAGE RHB-11	STOCK/NON-STOCK PART NUMBERS PAGE RHB-50	WEIGHTS PAGE RHB-372
----------------------------	-----------------------------------	---	-------------------------

DIMENSIONS



RIGHT ANGLE HELICAL BEVEL (RHB) **SIZE: BF148**
IEC D Flange (B5 Input) - Flange Mounted (B5 / B14) - Clamp Collar / 3 Piece Coupled
Triple Reduction
Straight Hollow Bore Output Shaft

STANDARD HOLLOW OUTPUT SHAFT **Dimension - Inch/MM**

ØU	tol.	UY	VH	KEY	M
3.625	+0.0012 +0.0004	3.84	2.31	7/8 x 11/16 x 7-1/16	1-8 x 2-1/2 UNC
80	+0.034 +0.012	85	68	22 x 14 x 125	M20 x 85

OPTIONAL HOLLOW OUTPUT SHAFT **Dimension - Inch/MM**

ØU	tol.	UY	VH	KEY	M
3.4375	+0.0014 +0.0005	3.70	2.29	7/8 x 3/4 x 7-7/16	1-8 x 2-1/2 UNC
90	+0.034 +0.012	95	77	25 x 14 x 140	M24 x 95

IEC MOTOR ADAPTER - CLAMP COLLAR **Dimension - Inch**

	C	ZC	YC
100D	26.32	2.01	0.28
112D	26.51	2.20	0.28
132D	28.09	3.78	0.87
160D	29.59	5.28	0.79
180D	30.24	5.93	0.83
200D	30.63	6.32	1.18

IEC MOTOR ADAPTER - 3 PIECE COUPLED **Dimension - Inch**

	C	ZC	YC
100D	31.14	6.83	1.18
112D	30.96	6.65	1.18
132D	33.35	9.04	1.77
160D	35.77	11.46	2.60
180D	37.87	13.56	2.32
200D	37.91	13.60	2.36
225D	41.20	16.89	3.54

Refer to page Engineering-3 for Input Flange and Shaft details.
 Refer to page Engineering-8 and Engineering-9 for driven shaft dimensions.
 Refer to page RHB-356 for Twin Tapered Bushing details.

NOMENCLATURE PAGE RHB-5	MOUNTING POSITIONS PAGE RHB-11	STOCK/NON-STOCK PART NUMBERS PAGE RHB-50	WEIGHTS PAGE RHB-372
----------------------------	-----------------------------------	---	-------------------------

DIMENSIONS



QUANTIS

QUANTIS GOLD

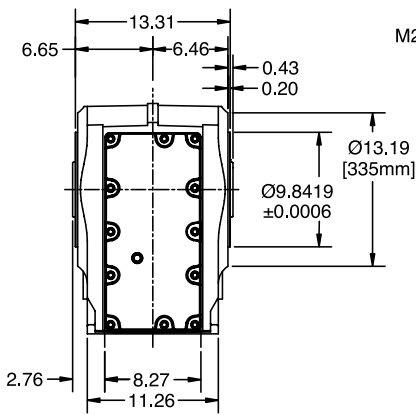
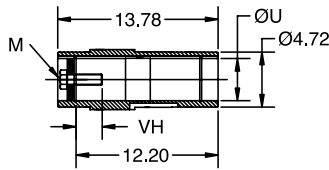
ILH

RHB

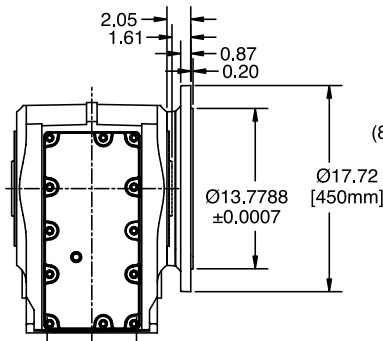
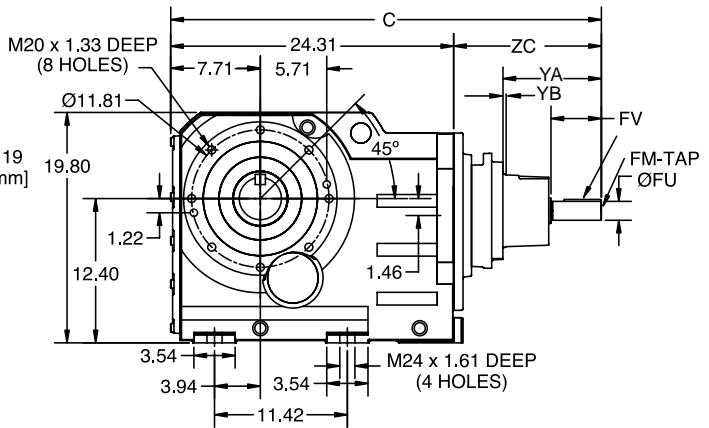
MSW

RIGHT ANGLE HELICAL BEVEL (RHB) Separate - Flange Mounted (B5 / B14) Triple Reduction Straight Hollow Bore Output Shaft

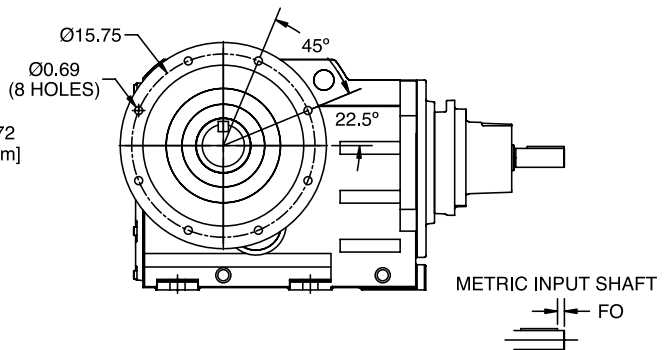
SIZE: BF148



**B14 OUTPUT FLANGE -
Ø335mm**



**B5 OUTPUT FLANGE -
Ø450mm**



NOMENCLATURE PAGE RHB-5	MOUNTING POSITIONS PAGE RHB-11	STOCK/NON-STOCK PART NUMBERS PAGE RHB-50	WEIGHTS PAGE RHB-372
----------------------------	-----------------------------------	---	-------------------------

RIGHT ANGLE HELICAL BEVEL (RHB)
 Separate - Flange Mounted (B5 / B14)
 Triple Reduction
 Straight Hollow Bore Output Shaft

SIZE: BF148

QUANTIS

QUANTIS GOLD

ILH

RHB

MSM

STANDARD HOLLOW OUTPUT SHAFT

Dimension - Inch/MM

ØU	tol.	UY	VH	KEY	M
3.625	+0.0012 +0.0004	3.84	2.31	7/8 x 11/16 x 7-1/16	1-8 x 2-1/2 UNC
80	+0.034 +0.012	85	68	22 x 14 x 125	M20 x 85

OPTIONAL HOLLOW OUTPUT SHAFT

Dimension - Inch/MM

ØU	tol.	UY	VH	KEY	M
3.4375	+0.0014 +0.0005	3.70	2.29	7/8 x 3/4 x 7-7/16	1-8 x 2-1/2 UNC
90	+0.034 +0.012	95	77	25 x 14 x 140	M24 x 95

SEPARATE INPUT

Dimension - Inch/MM

	C	ZC	FO	FM x Depth	ØFU	tol.	FV	YA	YB	Key
100	30.67	6.36	---	3/8-16 UNC x 0.87	1.125	+0.0000 -0.0005	2.36	3.27	0.16	1/4 x 1/4 x 2
	780	162	5	M10 x 22	28	+0.015 +0.002	60			8 x 7 x 50
112	30.57	6.26	---	3/8-16 UNC x 0.87	1.250	+0.0000 -0.0005	2.36	3.27	0.16	1/4 x 1/4 x 2
	777	159	5	M10 x 22	28	+0.015 +0.002	60			8 x 7 x 50
132	33.86	9.55	---	3/8-16 UNC x 0.87	1.375	+0.0000 -0.0005	3.15	6.61	0.14	5/16 x 5/16 x 2-3/4
	861	243	5	M12 x 28	38	+0.018 +0.002	80			10 x 8 x 70
160	35.37	11.06	---	5/8-11 UNC x 1.42	1.625	+0.0000 -0.0010	4.33	8.46	0.14	3/8 x 3/8 x 3-1/2
	899	281	10	M16 x 36	42	+0.018 +0.002	110			12 x 8 x 90
180	36.30	11.99	---	3/4-10 UNC x 1.65	2.125	+0.0000 -0.0010	4.33	9.25	0.16	1/2 x 1/2 x 3-5/8
	923	305	10	M20 x 42	55	+0.030 +0.011	110			16 x 10 x 90
225	37.38	13.07	---	3/4-10 UNC x 1.65	2.125	+0.0000 -0.0010	4.33	9.02	0.14	1/2 x 1/2 x 3-5/8
	980	362	15	M20 x 42	60	+0.030 +0.011	140			18 x 11 x 110

Refer to page Engineering-4 for Input Flange and Shaft details.
 Refer to page Engineering-8 and Engineering-9 for driven shaft dimensions.
 Refer to page RHB-356 for Twin Tapered Bushing details.

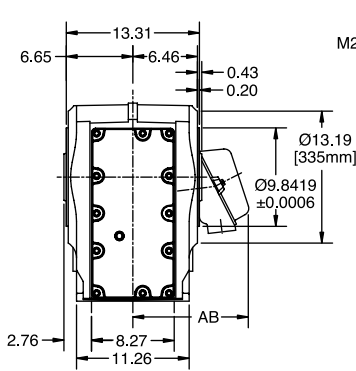
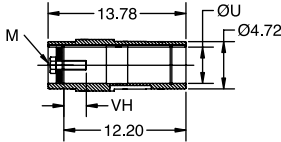
NOMENCLATURE PAGE RHB-5	MOUNTING POSITIONS PAGE RHB-11	STOCK/NON-STOCK PART NUMBERS PAGE RHB-50	WEIGHTS PAGE RHB-372
----------------------------	-----------------------------------	---	-------------------------

DIMENSIONS

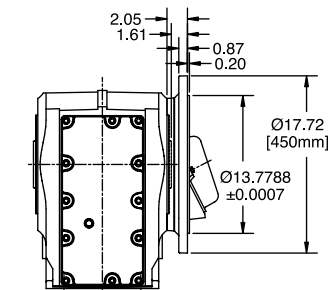
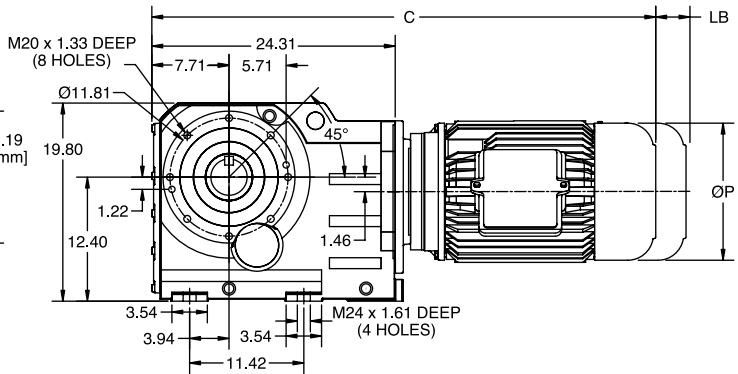


RIGHT ANGLE HELICAL BEVEL (RHB) Integral Gearmotor - Flange Mounted (B5 / B14) Triple Reduction Straight Hollow Bore Output Shaft

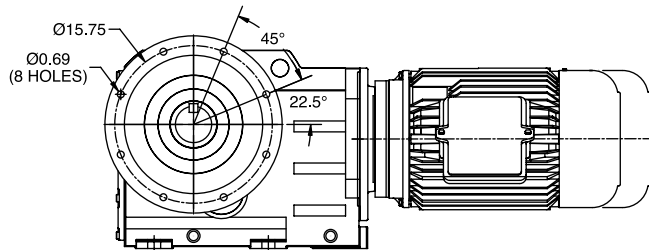
SIZE: BF148



**B14 OUTPUT FLANGE -
Ø335mm**



**B5 OUTPUT FLANGE -
Ø450mm**



NOMENCLATURE
PAGE RHB-5

MOUNTING POSITIONS
PAGE RHB-11

STOCK/NON-STOCK PART NUMBERS
PAGE RHB-50

WEIGHTS
PAGE RHB-372

DIMENSIONS



RIGHT ANGLE HELICAL BEVEL (RHB) Integral Gearmotor - Flange Mounted (B5 / B14) Triple Reduction Straight Hollow Bore Output Shaft

SIZE: BF148

STANDARD HOLLOW OUTPUT SHAFT

Dimension - Inch/MM

ØU	tol.	UY	VH	KEY (H)	M-TAP x DEPTH
3.625	+0.0012 +0.0004	3.84	2.31	7/8 x 11/16 x 7-1/16	1-8 x 2-1/2 UNC
80	+0.034 +0.012	85	68	22 x 14 x 125	M20 x 85

OPTIONAL HOLLOW OUTPUT SHAFT

Dimension - Inch/MM

ØU	tol.	UY	VH	KEY (H)	M-TAP x DEPTH
3.4375	+0.0014 +0.0005	3.70	2.29	7/8 x 3/4 x 7-7/16	1-8 x 2-1/2 UNC
90	+0.034 +0.012	95	77	25 x 14 x 140	M24 x 95

MOTOR

Dimension - Inch/MM

Frame	C	LB	P	AB
100J4	37.34	2.91	7.19	5.79
	949	74	183	148
112L4	38.93	2.91	8.6	6.88
	989	74	219	175
132M4	40.45	3.9	10.28	8.09
	1028	99	262	206
132N4	41.95	3.9	10.28	8.09
	1066	99	262	206

Refer to page Engineering-8 and Engineering-9 for driven shaft dimensions.
Refer to page RHB-356 for Twin Tapered Bushing details.

NOMENCLATURE PAGE RHB-5	MOUNTING POSITIONS PAGE RHB-11	STOCK/NON-STOCK PART NUMBERS PAGE RHB-50	WEIGHTS PAGE RHB-372
----------------------------	-----------------------------------	---	-------------------------

DIMENSIONS



QUANTIS

QUANTIS GOLD

ILH

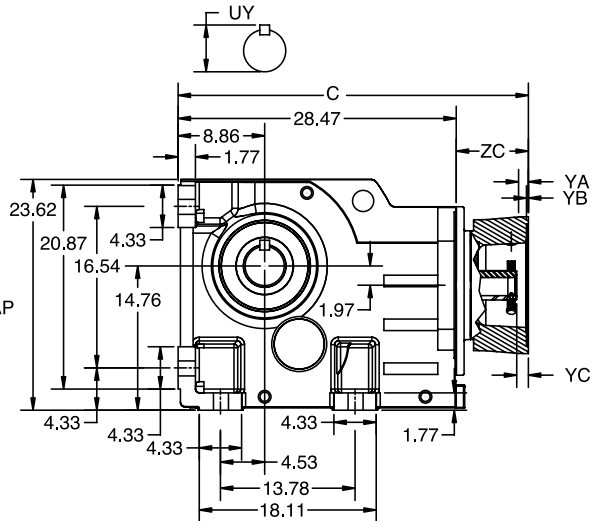
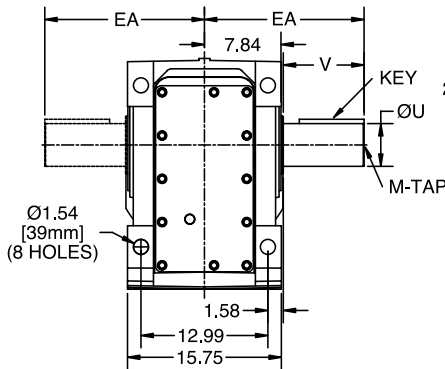
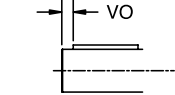
RHB

MSW

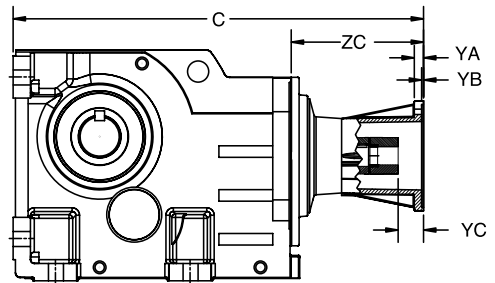
RIGHT ANGLE HELICAL BEVEL (RHB) NEMA C-Face - Foot Mounted - Clamp Collar / 3 Piece Coupled Triple Reduction Solid Output Shaft

SIZE: BB168

METRIC OUTPUT SHAFT



CLAMP COLLAR



THREE-PIECE COUPLED

NOMENCLATURE PAGE RHB-5	MOUNTING POSITIONS PAGE RHB-11	STOCK/NON-STOCK PART NUMBERS PAGE RHB-50	WEIGHTS PAGE RHB-372
----------------------------	-----------------------------------	---	-------------------------

DIMENSIONS



RIGHT ANGLE HELICAL BEVEL (RHB) NEMA C-Face - Foot Mounted - Clamp Collar / 3 Piece Coupled Triple Reduction Solid Output Shaft

SIZE: BB168

STANDARD SOLID OUTPUT SHAFT

Dimension - Inch/MM

ØU	tol.	UY	V	VO	KEY	M-TAP x DEPTH	EA
4.375	+0.0000 -0.0010	4.82	8.27	-	1 x 1 x 6-5/8	1-8 UNC x 1.97	16.34
110	+0.035 +0.013	116	210	15	28 x 16 x 180	M24 x 50	415

OPTIONAL SOLID OUTPUT SHAFT

Dimension - Inch/MM

ØU	tol.	UY	V	VO	KEY	M-TAP x DEPTH	EA
4.750	+0.0000 -0.0010	5.30	8.27	-	1-1/4 x 1-1/4 x 7	1-8 UNC x 1.97	16.34
120	+0.035 +0.013	127	210	15	32 x 18 x 180	M24 x 50	415

NEMA MOTOR ADAPTER - CLAMP COLLAR

Dimension - Inch

	C	ZC	YA	YB	YC
210TC	33.59	5.12	0.69	0.22	0.89
250TC	33.34	4.87	0.94	0.20	1.13
280TC	34.26	5.79	0.94	0.20	1.30
320TC	35.87	7.40	1.00	0.20	1.19
360TC	37.58	9.11	1.02	0.20	1.48

NEMA MOTOR ADAPTER - 3 PIECE COUPLED

Dimension - Inch

	C	ZC	YA	YB	YC
210TC	37.43	8.96	0.87	0.22	2.01
250TC	39.20	10.73	0.94	0.20	2.17
280TC	42.01	13.54	0.94	0.20	2.57
320TC	44.51	16.04	1.02	0.20	2.99
360TC	45.56	17.09	1.02	0.20	3.27

Refer to page Engineering-2 for Input Flange and Shaft details.

NOMENCLATURE PAGE RHB-5	MOUNTING POSITIONS PAGE RHB-11	STOCK/NON-STOCK PART NUMBERS PAGE RHB-50	WEIGHTS PAGE RHB-372
----------------------------	-----------------------------------	---	-------------------------

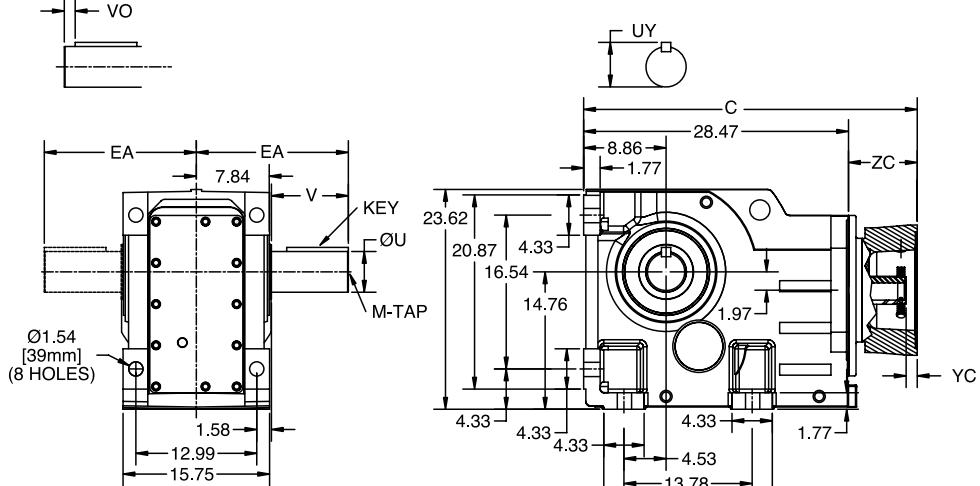
DIMENSIONS



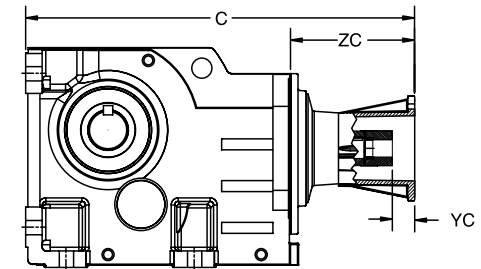
RIGHT ANGLE HELICAL BEVEL (RHB) IEC D Flange (B5 Input) - Foot Mounted - Clamp Collar / 3 Piece Coupled Triple Reduction Solid Output Shaft

SIZE: BB168

METRIC OUTPUT SHAFT



CLAMP COLLAR



THREE-PIECE COUPLED

NOMENCLATURE
PAGE RHB-5

MOUNTING POSITIONS
PAGE RHB-11

STOCK/NON-STOCK PART NUMBERS
PAGE RHB-50

WEIGHTS
PAGE RHB-372

DIMENSIONS



RIGHT ANGLE HELICAL BEVEL (RHB) IEC D Flange (B5 Input) - Foot Mounted - Clamp Collar / 3 Piece Coupled Triple Reduction Solid Output Shaft

SIZE: BB168

STANDARD SOLID OUTPUT SHAFT

Dimension - Inch/MM

ØU	tol.	UY	V	VO	KEY	M-TAP x DEPTH	EA
4.375	+0.0000 -0.0010	4.82	8.27	-	1 x 1 x 6-5/8	1-8 UNC x 1.97	16.34
110	+0.035 +0.013	116	210	15	28 x 16 x 180	M24 x 50	415

OPTIONAL SOLID OUTPUT SHAFT

Dimension - Inch/MM

ØU	tol.	UY	V	VO	KEY	M-TAP x DEPTH	EA
4.750	+0.0000 -0.0010	5.30	8.27	-	1-1/4 x 1-1/4 x 7	1-8 UNC x 1.97	16.34
120	+0.035 +0.013	127	210	15	32 x 18 x 180	M24 x 50	415

IEC MOTOR ADAPTER - CLAMP COLLAR

Dimension - Inch

	C	ZC	YC
132D	31.93	3.46	0.87
160D	33.45	4.98	0.79
180D	34.10	5.63	0.83
200D	34.49	6.02	1.18

IEC MOTOR ADAPTER - 3 PIECE COUPLED

Dimension - Inch

	C	ZC	YC
132D	37.19	8.72	1.77
160D	39.63	11.16	2.60
180D	41.74	13.27	2.32
200D	41.78	13.31	2.36
225D	45.06	16.59	3.54
250D	45.24	16.77	2.95

Refer to page Engineering-3 for Input Flange and Shaft details.

NOMENCLATURE PAGE RHB-5	MOUNTING POSITIONS PAGE RHB-11	STOCK/NON-STOCK PART NUMBERS PAGE RHB-50	WEIGHTS PAGE RHB-372
----------------------------	-----------------------------------	---	-------------------------

DIMENSIONS



RIGHT ANGLE HELICAL BEVEL (RHB)

SIZE: BB168

Separate - Foot Mounted
Triple Reduction
Solid Output Shaft

QUANTIS

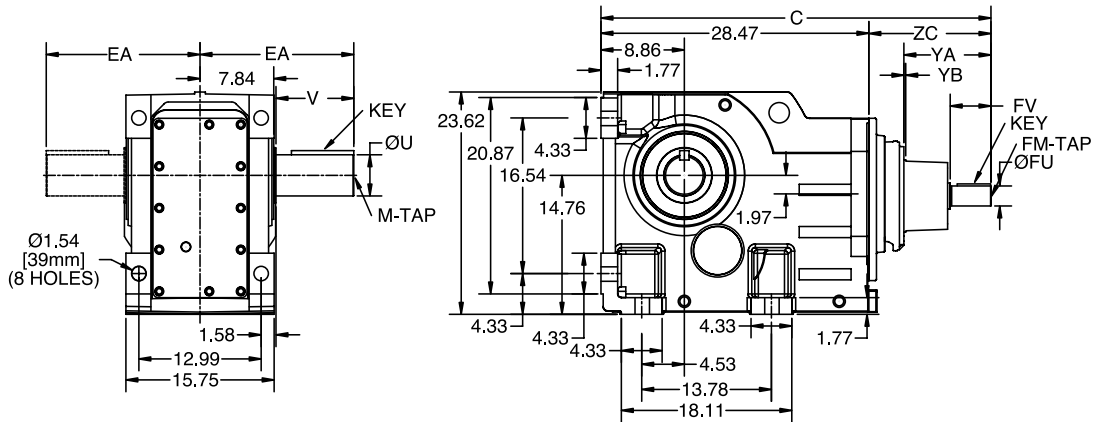
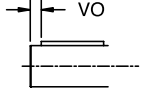
QUANTIS GOLD

ILH

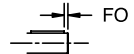
RHB

MSW

METRIC OUTPUT SHAFT



METRIC INPUT SHAFT



NOMENCLATURE PAGE RHB-5	MOUNTING POSITIONS PAGE RHB-11	STOCK/NON-STOCK PART NUMBERS PAGE RHB-50	WEIGHTS PAGE RHB-372
----------------------------	-----------------------------------	---	-------------------------

RIGHT ANGLE HELICAL BEVEL (RHB)

SIZE: BB168

Separate - Foot Mounted
Triple Reduction
Solid Output Shaft

STANDARD SOLID OUTPUT SHAFT

Dimension - Inch/MM

ØU	tol.	UY	V	VO	KEY	M-TAP x DEPTH	EA
4.375	+0.0000 -0.0010	4.82	8.27	-	1 x 1 x 6-5/8	1-8 UNC x 1.97	16.34
110	+0.035 +0.013	116	210	15	28 x 16 x 180	M24 x 50	415

OPTIONAL SOLID OUTPUT SHAFT

Dimension - Inch/MM

ØU	tol.	UY	V	VO	KEY	M-TAP x DEPTH	EA
4.750	+0.0000 -0.0010	5.30	8.27	-	1-1/4 x 1-1/4 x 7	1-8 UNC x 1.97	16.34
120	+0.035 +0.013	127	210	15	32 x 18 x 180	M24 x 50	415

SEPARATE INPUT

Dimension - Inch/MM

	C	ZC	FO	FM x Depth	ØFU	tol.	FV	YA	YB	Key
132	37.70	9.23	---	3/8-16 UNC x 0.87	1.375	+0.0000 -0.0005	3.15	6.61	0.14	5/16 x 5/16 x 2-3/4
	958	235	5	M12 x 28	38	+0.018 +0.002	80			10 x 8 x 70
160	39.24	10.77	---	5/8-11 UNC x 1.42	1.625	+0.0000 -0.0010	4.33	8.46	0.14	3/8 x 3/8 x 3-1/2
	997	274	10	M16 x 36	42	+0.018 +0.002	110			12 x 8 x 90
180	40.16	11.69	---	3/4-10 UNC x 1.65	2.125	+0.0000 -0.0010	4.33	9.25	0.16	1/2 x 1/2 x 3-5/8
	1020	297	10	M20 x 42	55	+0.030 +0.011	110			16 x 10 x 90
225	41.25	12.78	---	3/4-10 UNC x 1.65	2.125	+0.0000 -0.0010	4.33	9.02	0.14	1/2 x 1/2 x 3-5/8
	1078	355	15	M20 x 42	60	+0.030 +0.011	140			259
250	42.41	13.94	---	3/4-10 UNC x 1.65	2.375	+0.0000 -0.0010	5.51	10.20	0.14	5/8 x 5/8 x 4-3/8
	1077	354	15	M20 x 42	65	+0.030 +0.011	140			18 x 11 x 110

Refer to page Engineering-4 for Input Shaft and Flange details.

NOMENCLATURE PAGE RHB-5	MOUNTING POSITIONS PAGE RHB-11	STOCK/NON-STOCK PART NUMBERS PAGE RHB-50	WEIGHTS PAGE RHB-372
----------------------------	-----------------------------------	---	-------------------------

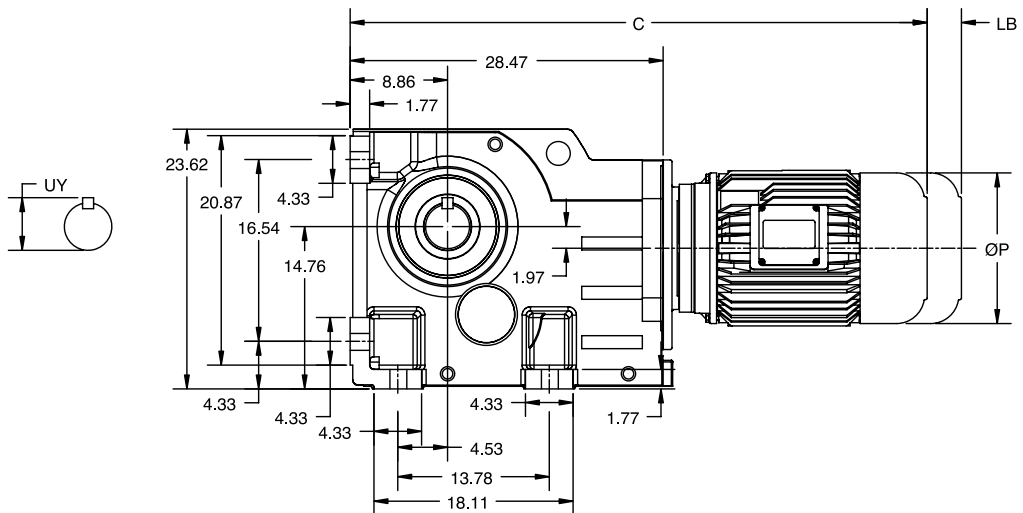
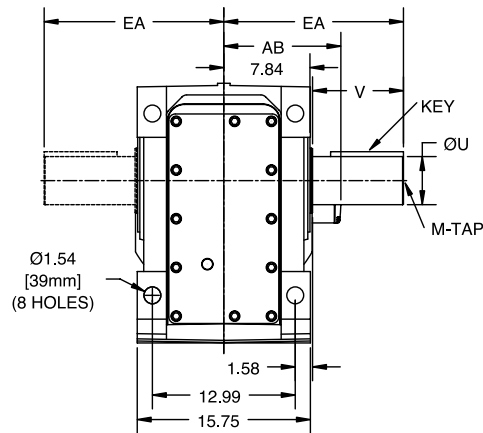
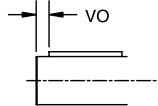
DIMENSIONS



RIGHT ANGLE HELICAL BEVEL (RHB) Integral Gearmotor - Foot Mounted Triple Reduction Solid Output Shaft

SIZE: BB168

METRIC OUTPUT SHAFT



NOMENCLATURE
PAGE RHB-5

MOUNTING POSITIONS
PAGE RHB-11

STOCK/NON-STOCK PART NUMBERS
PAGE RHB-50

WEIGHTS
PAGE RHB-372

DIMENSIONS



RIGHT ANGLE HELICAL BEVEL (RHB)

SIZE: BB168

Integral Gearmotor - Foot Mounted
Triple Reduction
Solid Output Shaft

STANDARD SOLID OUTPUT SHAFT

Dimension - Inch/MM

ØU	tol.	UY	V	VO	KEY	M-TAP x DEPTH	EA
4.375	+0.0000 -0.0010	4.82	8.27	-	1 x 1 x 6-5/8	1-8 UNC x 1.97	16.34
110	+0.035 +0.013	116	210	15	28 x 16 x 180	M24 x 50	415

OPTIONAL SOLID OUTPUT SHAFT

Dimension - Inch/MM

ØU	tol.	UY	V	VO	KEY	M-TAP x DEPTH	EA
4.750	+0.0000 -0.0010	5.30	8.27	-	1-1/4 x 1-1/4 x 7	1-8 UNC x 1.97	16.34
120	+0.035 +0.013	127	210	15	32 x 18 x 180	M24 x 50	415

MOTOR

Dimension - Inch/MM

Frame	C	LB	P	AB
132M4	44.27	3.9	10.28	8.09
	1125	99	262	206
132N4	45.77	3.9	10.28	8.09
	1163	99	262	206

QUANTIS

QUANTIS GOLD

ILH

RHB

MSM

NOMENCLATURE PAGE RHB-5	MOUNTING POSITIONS PAGE RHB-11	STOCK/NON-STOCK PART NUMBERS PAGE RHB-50	WEIGHTS PAGE RHB-372
----------------------------	-----------------------------------	---	-------------------------

DIMENSIONS



QUANTIS

QUANTIS GOLD

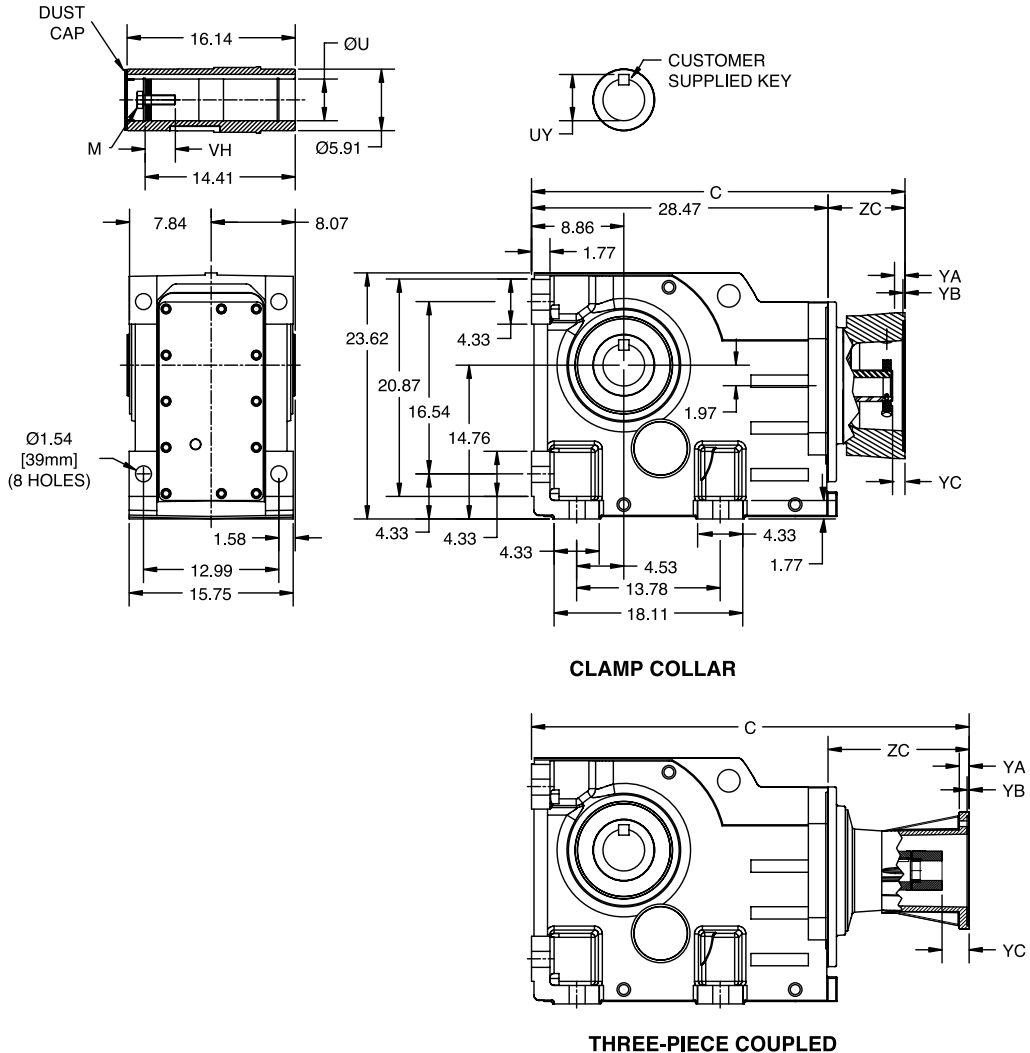
ILH

RHB

MSW

RIGHT ANGLE HELICAL BEVEL (RHB) NEMA C-Face - Foot Mounted - Clamp Collar / 3 Piece Coupled Triple Reduction Straight Hollow Bore Output Shaft

SIZE: BB168



NOMENCLATURE PAGE RHB-5	MOUNTING POSITIONS PAGE RHB-11	STOCK/NON-STOCK PART NUMBERS PAGE RHB-50	WEIGHTS PAGE RHB-372
----------------------------	-----------------------------------	---	-------------------------

RIGHT ANGLE HELICAL BEVEL (RHB)
NEMA C-Face - Foot Mounted - Clamp Collar / 3 Piece Coupled
Triple Reduction
Straight Hollow Bore Output Shaft

SIZE: BB168

QUANTIS

QUANTIS GOLD

ILH

RHB

MSM

STANDARD HOLLOW OUTPUT SHAFT **Dimension - Inch/MM**

ØU	tol.	UY	VH	KEY	M
4.000	+0.0014 +0.0005	4.45	2.29	1 x 1 x 5-7/8	1-8 x 2-1/2 UNC
100	+0.034 +0.012	106	77	28 x 16 x 160	M24 x 95

OPTIONAL HOLLOW OUTPUT SHAFT **Dimension - Inch/MM**

ØU	tol.	UY	VH	KEY	M
3.9375	+0.0014 +0.0005	4.39	2.13	1 x 1 x 6	1-8 x 2-1/2 UNC
110	+0.034 +0.012	116	78	28 x 16 x 160	M24 x 100

NEMA MOTOR ADAPTER - CLAMP COLLAR **Dimension - Inch**

	C	ZC	YA	YB	YC
210TC	33.59	5.12	0.69	0.22	0.89
250TC	33.34	4.87	0.94	.020	1.13
280TC	34.26	5.79	0.94	0.20	1.30
320TC	35.87	7.40	1.00	0.20	1.19
360TC	37.58	9.11	1.02	0.20	1.48

NEMA MOTOR ADAPTER - 3 PIECE COUPLED **Dimension - Inch**

	C	ZC	YA	YB	YC
210TC	37.43	8.96	0.87	0.22	2.01
250TC	39.20	10.73	0.94	0.20	2.17
280TC	42.01	13.54	0.94	0.20	2.57
320TC	44.51	16.04	1.02	0.20	2.99
360TC	45.56	17.09	1.02	0.20	3.27

Refer to page Engineering-2 for Input Flange and Shaft details.
 Refer to page Engineering-8 and Engineering-9 for driven shaft dimensions.
 Refer to page RHB-357 for Twin Tapered Bushing details.

NOMENCLATURE PAGE RHB-5	MOUNTING POSITIONS PAGE RHB-11	STOCK/NON-STOCK PART NUMBERS PAGE RHB-50	WEIGHTS PAGE RHB-372
----------------------------	-----------------------------------	---	-------------------------

DIMENSIONS



QUANTIS

QUANTIS GOLD

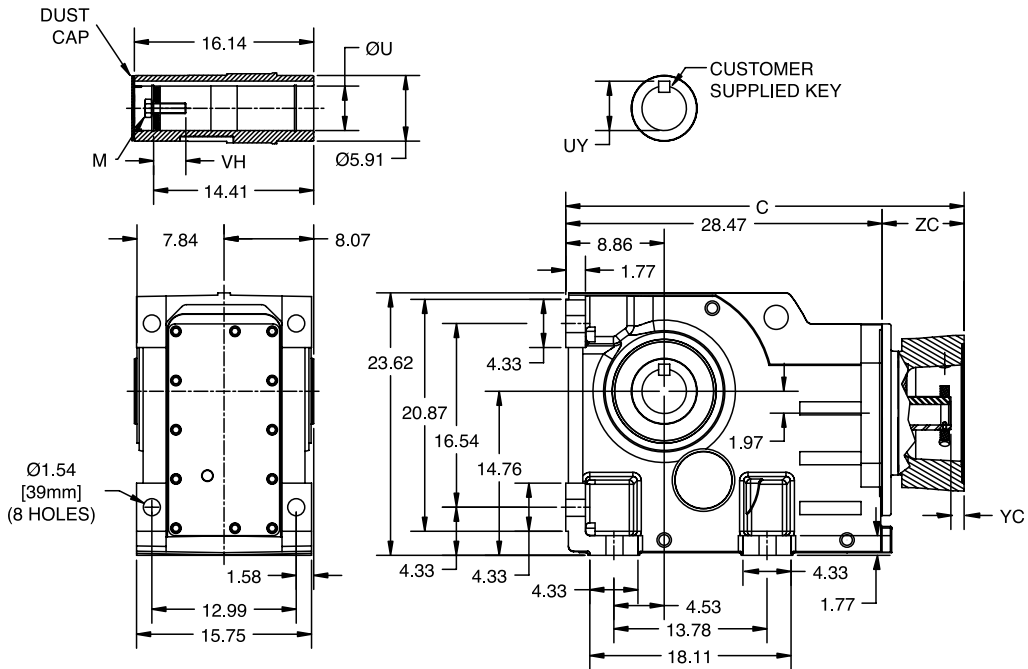
ILH

RHB

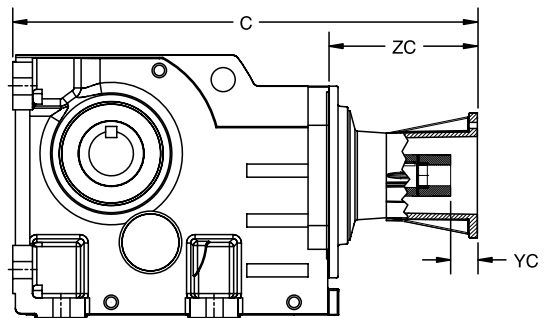
MSW

RIGHT ANGLE HELICAL BEVEL (RHB)
IEC D Flange (B5 Input) - Foot Mounted - Clamp Collar / 3 Piece Coupled
Triple Reduction
Straight Hollow Bore Output Shaft

SIZE: BB168



CLAMP COLLAR



THREE-PIECE COUPLED

NOMENCLATURE PAGE RHB-5	MOUNTING POSITIONS PAGE RHB-11	STOCK/NON-STOCK PART NUMBERS PAGE RHB-50	WEIGHTS PAGE RHB-372
----------------------------	-----------------------------------	---	-------------------------

RIGHT ANGLE HELICAL BEVEL (RHB)
IEC D Flange (B5 Input) - Foot Mounted - Clamp Collar / 3 Piece Coupled
Triple Reduction
Straight Hollow Bore Output Shaft

SIZE: BB168

STANDARD HOLLOW OUTPUT SHAFT

Dimension - Inch/MM

ØU	tol.	UY	VH	KEY	M
4.000	+0.0014 +0.0005	4.45	2.29	1 x 1 x 5-7/8	1-8 x 2-1/2 UNC
100	+0.034 +0.012	106	77	28 x 16 x 160	M24 x 95

OPTIONAL HOLLOW OUTPUT SHAFT

Dimension - Inch/MM

ØU	tol.	UY	VH	KEY	M
3.9375	+0.0014 +0.0005	4.39	2.13	1 x 1 x 6	1-8 x 2-1/2 UNC
110	+0.034 +0.012	116	78	28 x 16 x 160	M24 x 100

IEC MOTOR ADAPTER - CLAMP COLLAR

Dimension - Inch

	C	ZC	YA	YB	YC
132D	31.93	3.46	0.75	0.20	0.87
160D	33.45	4.98	0.98	0.24	0.79
180D	34.10	5.63	0.61	0.24	0.83
200D	34.49	6.02	0.98	0.24	1.18

IEC MOTOR ADAPTER - 3 PIECE COUPLED

Dimension - Inch

	C	ZC	YA	YB	YC
132D	37.19	8.72	0.75	0.20	1.77
160D	39.63	11.16	0.75	0.24	2.60
180D	41.74	13.27	0.98	0.24	2.32
200D	41.78	13.31	0.98	0.24	2.36
225D	45.06	16.59	1.06	0.24	3.54
250D	45.24	16.77	1.06	0.24	2.95

Refer to page Engineering-3 for Input Flange and Shaft details.
 Refer to page Engineering-8 and Engineering-9 for driven shaft dimensions.
 Refer to page RHB-357 for Twin Tapered Bushing details.

NOMENCLATURE PAGE RHB-5	MOUNTING POSITIONS PAGE RHB-11	STOCK/NON-STOCK PART NUMBERS PAGE RHB-50	WEIGHTS PAGE RHB-372
----------------------------	-----------------------------------	---	-------------------------

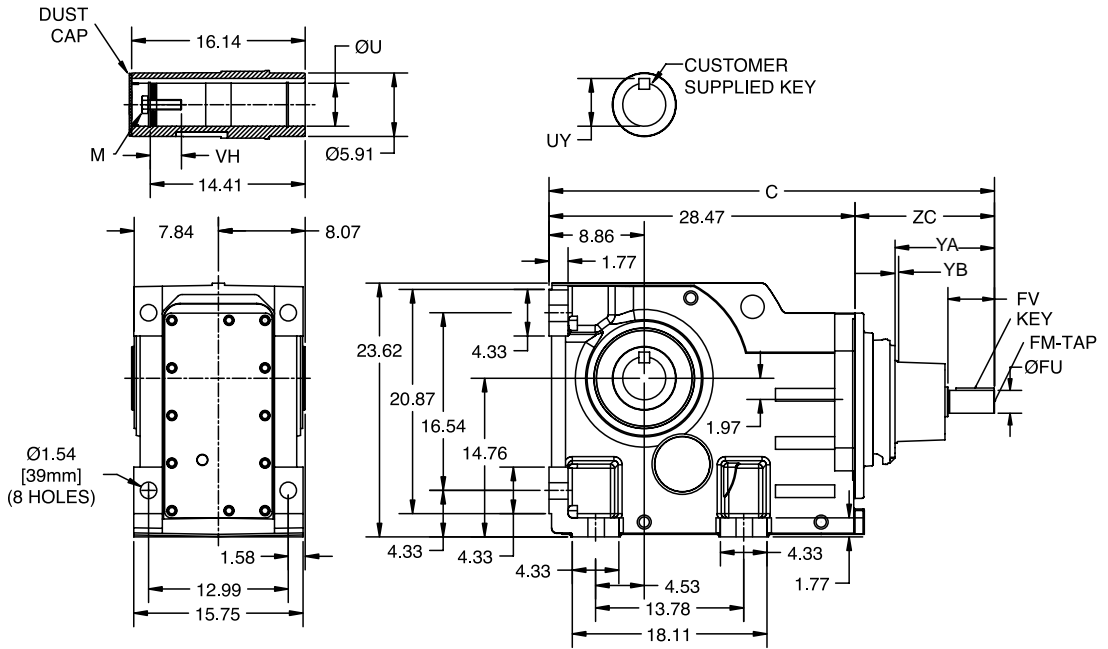
DIMENSIONS



RIGHT ANGLE HELICAL BEVEL (RHB)

SIZE: BB168

Separate - Foot Mounted
Triple Reduction
Straight Hollow Bore Output Shaft



METRIC INPUT SHAFT



NOMENCLATURE
PAGE RHB-5

MOUNTING POSITIONS
PAGE RHB-11

STOCK/NON-STOCK PART NUMBERS
PAGE RHB-50

WEIGHTS
PAGE RHB-372

RIGHT ANGLE HELICAL BEVEL (RHB)

SIZE: BB168

Separate - Foot Mounted
Triple Reduction
Straight Hollow Bore Output Shaft

STANDARD HOLLOW OUTPUT SHAFT

Dimension - Inch/MM

ØU	tol.	UY	VH	KEY	M
4.000	+0.0014 +0.0005	4.45	2.29	1 x 1 x 5-7/8	1-8 x 2-1/2 UNC
100	+0.034 +0.012	106	77	28 x 16 x 160	M24 x 95

OPTIONAL HOLLOW OUTPUT SHAFT

Dimension - Inch/MM

ØU	tol.	UY	VH	KEY	M
3.9375	+0.0014 +0.0005	4.39	2.13	1 x 1 x 6	1-8 x 2-1/2 UNC
110	+0.034 +0.012	116	78	28 x 16 x 160	M24 x 100

SEPARATE INPUT

Dimension - Inch/MM

	C	ZC	FO	FM x Depth	ØFU	tol.	FV	YA	YB	Key
132	37.70	9.23	---	3/8-16 UNC x 0.87	1.375	+0.0000 -0.0005	3.15	6.61	0.14	5/16 x 5/16 x 2-3/4
	958	235	5	M12 x 28	38	+0.018 +0.002	80			10 x 8 x 70
160	39.24	10.77	---	5/8-11 UNC x 1.42	1.625	+0.0000 -0.0010	4.33	8.46	0.14	3/8 x 3/8 x 3-1/2
	997	274	10	M16 x 36	42	+0.018 +0.002	110			12 x 8 x 90
180	40.16	11.69	---	3/4-10 UNC x 1.65	2.125	+0.0000 -0.0010	4.33	9.25	0.16	1/2 x 1/2 x 3-5/8
	1020	297	10	M20 x 42	55	+0.030 +0.011	110			16 x 10 x 90
225	41.25	12.78	---	3/4-10 UNC x 1.65	2.125	+0.0000 -0.0010	4.33	9.02	0.14	1/2 x 1/2 x 3-5/8
	1078	355	15	M20 x 42	60	+0.030 +0.011	140			259
250	42.41	13.94	---	3/4-10 UNC x 1.65	2.375	+0.0000 -0.0010	5.51	10.20	0.14	5/8 x 5/8 x 4-3/8
	1077	354	15	M20 x 42	65	+0.030 +0.011	140			18 x 11 x 110

Refer to page Engineering-4 for Input Flange and Shaft details.
Refer to page Engineering-8 and Engineering-9 for driven shaft dimensions.
Refer to page RHB-357 for Twin Tapered Bushing details.

NOMENCLATURE PAGE RHB-5	MOUNTING POSITIONS PAGE RHB-11	STOCK/NON-STOCK PART NUMBERS PAGE RHB-50	WEIGHTS PAGE RHB-372
----------------------------	-----------------------------------	---	-------------------------

QUANTIS

QUANTIS GOLD

ILH

RHB

MSW

DIMENSIONS

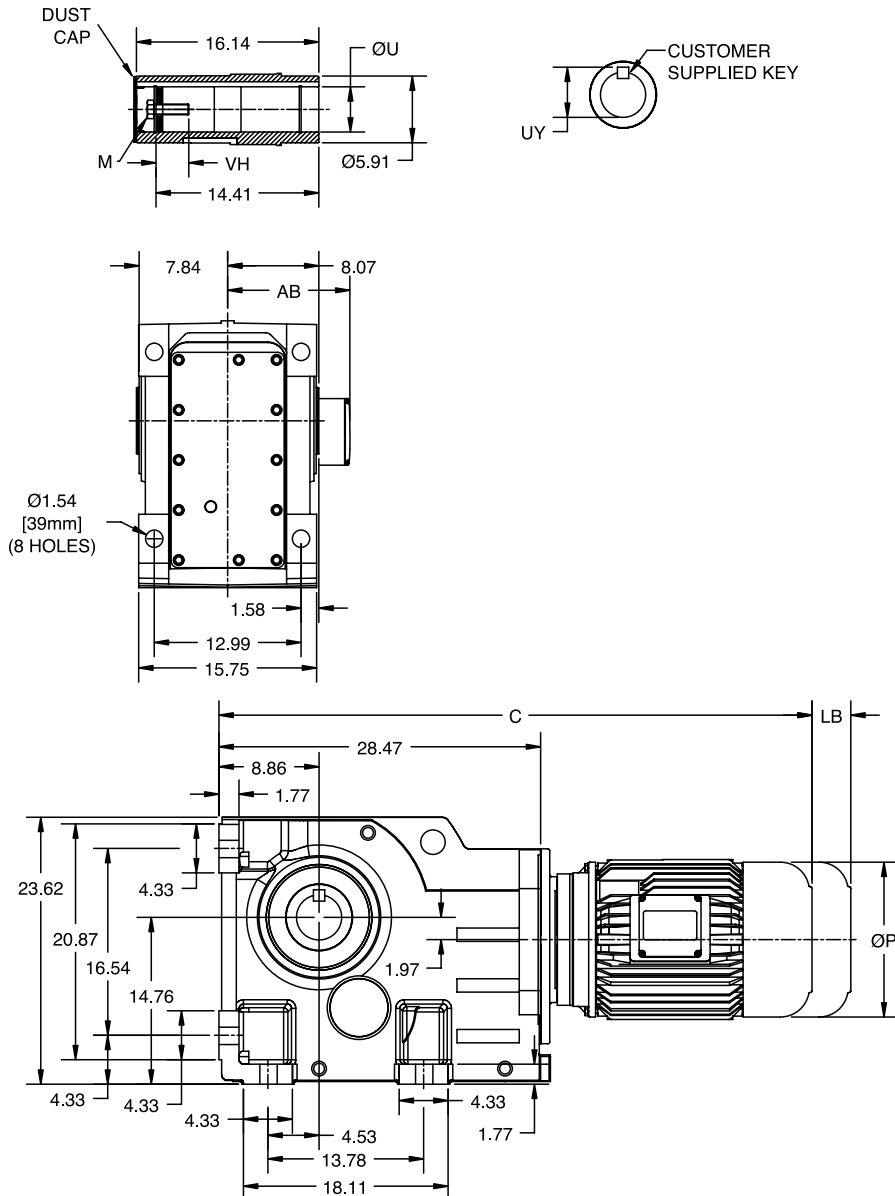
RIGHT ANGLE HELICAL BEVEL (RHB)

Integral Gearmotor - Foot Mounted

Triple Reduction

Straight Hollow Bore Output Shaft

SIZE: BB168



NOMENCLATURE
PAGE RHB-5

MOUNTING POSITIONS
PAGE RHB-11

STOCK/NON-STOCK PART NUMBERS
PAGE RHB-50

WEIGHTS
PAGE RHB-372

DIMENSIONS



RIGHT ANGLE HELICAL BEVEL (RHB)

SIZE: BB168

Integral Gearmotor - Foot Mounted

Triple Reduction

Straight Hollow Bore Output Shaft

STANDARD HOLLOW OUTPUT SHAFT

Dimension - Inch/MM

ØU	tol.	UY	VH	KEY	M
4.000	+0.0014 +0.0005	4.45	2.29	1 x 1 x 5-7/8	1-8 x 2-1/2 UNC
100	+0.034 +0.012	106	77	28 x 16 x 160	M24 x 95

OPTIONAL HOLLOW OUTPUT SHAFT

Dimension - Inch/MM

ØU	tol.	UY	VH	KEY	M
3.9375	+0.0014 +0.0005	4.39	2.13	1 x 1 x 6	1-8 x 2-1/2 UNC
110	+0.034 +0.012	116	78	28 x 16 x 160	M24 x 100

MOTOR

Dimension - Inch/MM

Frame	C	LB	P	AB
132M4	44.27	3.9	10.28	8.09
	1125	99	262	206
132N4	45.77	3.9	10.28	8.09
	1163	99	262	206

Refer to page Engineering-8 and Engineering-9 for driven shaft dimensions.

Refer to page RHB-357 for Twin Tapered Bushing details.

QUANTIS

QUANTIS GOLD

ILH

RHB

MSM

NOMENCLATURE PAGE RHB-5	MOUNTING POSITIONS PAGE RHB-11	STOCK/NON-STOCK PART NUMBERS PAGE RHB-50	WEIGHTS PAGE RHB-372
----------------------------	-----------------------------------	---	-------------------------

DIMENSIONS



QUANTIS

QUANTIS GOLD

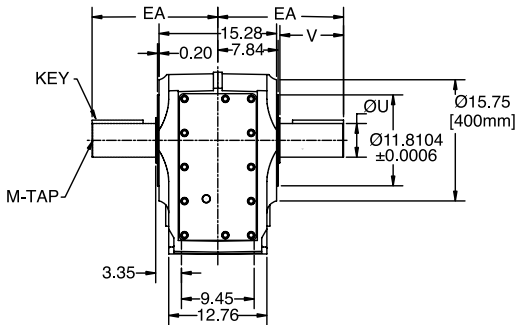
ILH

RHB

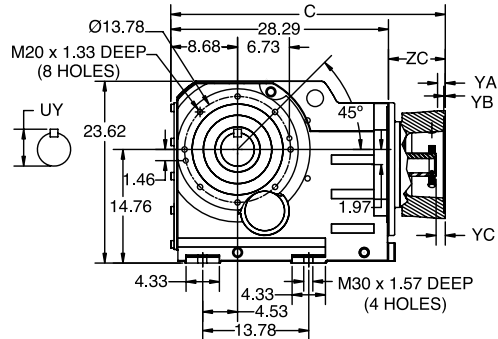
MSW

RIGHT ANGLE HELICAL BEVEL (RHB) NEMA C-Face - Flange Mounted (B5 / B14) - Clamp Collar - 3 Piece Coupled Triple Reduction Solid Output Shaft

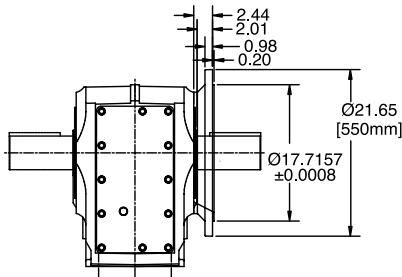
SIZE: BF168



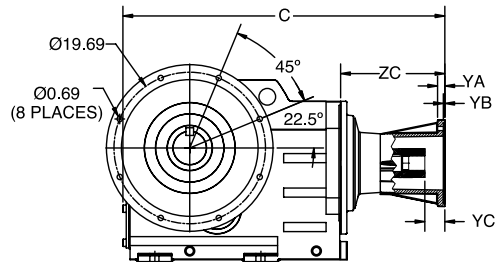
**B14 OUTPUT FLANGE -
Ø400mm**



CLAMP COLLAR

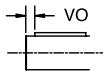


**B5 OUTPUT FLANGE -
Ø550mm**



THREE-PIECE COUPLED

METRIC OUTPUT SHAFT



NOMENCLATURE PAGE RHB-5	MOUNTING POSITIONS PAGE RHB-11	STOCK/NON-STOCK PART NUMBERS PAGE RHB-50	WEIGHTS PAGE RHB-372
----------------------------	-----------------------------------	---	-------------------------

RIGHT ANGLE HELICAL BEVEL (RHB)
NEMA C-Face - Flange Mounted (B5 / B14) - Clamp Collar - 3 Piece Coupled
Triple Reduction
Solid Output Shaft

SIZE: BF168

STANDARD SOLID OUTPUT SHAFT

Dimension - Inch/MM

ØU	tol.	UY	V	VO	KEY	M-TAP x DEPTH	EA
4.375	+0.0000 -0.0010	4.82	8.27	-	1 x 1 x 6-5/8	1-8 UNC - 1.97	16.34
110	+0.035 +0.013	116	210	15	28 x 16 x 180	M24	415

OPTIONAL SOLID OUTPUT SHAFT

Dimension - Inch/MM

ØU	tol.	UY	V	VO	KEY	M-TAP x DEPTH	EA
4.75	+0.0000 -0.0010	5.30	8.27	-	1-1/4 x 1-1/4 x 7	1-8 UNC - 1.97	16.34
120	+0.035 +0.013	127	210	15	32 x 18 x 180	M24	415

NEMA MOTOR ADAPTER - CLAMP COLLAR

Dimension - Inch

	C	ZC	YA	YB	YC
210TC	33.41	5.12	0.69	0.22	0.89
250TC	33.16	4.87	0.94	.020	1.13
280TC	34.08	5.79	0.94	0.20	1.30
320TC	35.69	7.40	1.00	0.20	1.19
360TC	37.40	9.11	1.02	0.20	1.48

NEMA MOTOR ADAPTER - 3 PIECE COUPLED

Dimension - Inch

	C	ZC	YA	YB	YC
210TC	37.25	8.96	0.87	0.22	2.01
250TC	39.02	10.73	0.94	0.20	2.17
280TC	41.83	13.54	0.94	0.20	2.57
320TC	44.33	16.04	1.02	0.20	2.99
360TC	45.38	17.09	1.02	0.20	3.27

Refer to page Engineering-2 for Input Flange and Shaft details.

NOMENCLATURE PAGE RHB-5	MOUNTING POSITIONS PAGE RHB-11	STOCK/NON-STOCK PART NUMBERS PAGE RHB-60	WEIGHTS PAGE RHB-372
----------------------------	-----------------------------------	---	-------------------------

DIMENSIONS



QUANTIS

QUANTIS GOLD

ILH

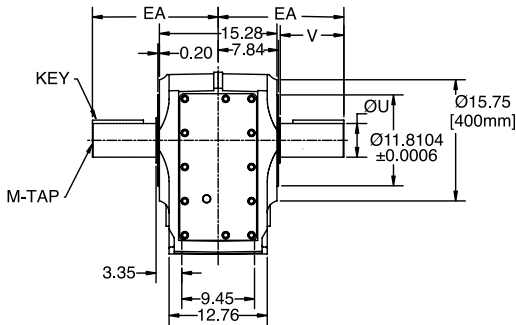
RHB

MSW

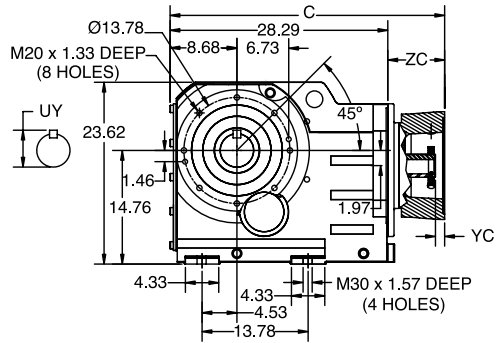
RIGHT ANGLE HELICAL BEVEL (RHB)

SIZE: BF168

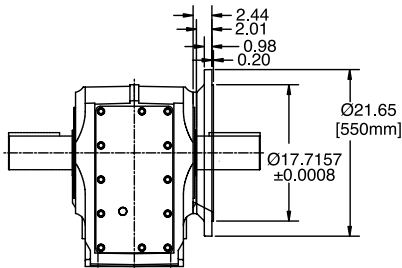
IEC D Flange (B5 Input) - Flange Mounted (B5 / B14) - Clamp Collar - 3 Piece Coupled
Triple Reduction
Solid Output Shaft



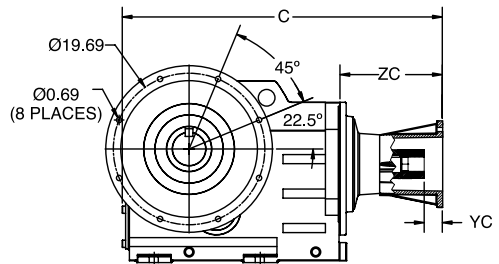
**B14 OUTPUT FLANGE -
Ø400mm**



CLAMP COLLAR

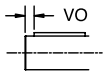


**B5 OUTPUT FLANGE -
Ø550mm**



THREE-PIECE COUPLED

METRIC OUTPUT SHAFT



NOMENCLATURE PAGE RHB-5	MOUNTING POSITIONS PAGE RHB-11	STOCK/NON-STOCK PART NUMBERS PAGE RHB-50	WEIGHTS PAGE RHB-372
----------------------------	-----------------------------------	---	-------------------------

DIMENSIONS



RIGHT ANGLE HELICAL BEVEL (RHB) SIZE: BF168 IEC D Flange (B5 Input) - Flange Mounted (B5 / B14) - Clamp Collar - 3 Piece Coupled Triple Reduction Solid Output Shaft

STANDARD SOLID OUTPUT SHAFT Dimension - Inch/MM

ØU	tol.	UY	V	VO	KEY	M-TAP x DEPTH	EA
4.375	+0.0000 -0.0010	4.82	8.27	-	1 x 1 x 6-5/8	1-8 UNC - 1.97	16.34
110	+0.035 +0.013	116	210	15	28 x 16 x 180	M24	415

OPTIONAL SOLID OUTPUT SHAFT Dimension - Inch/MM

ØU	tol.	UY	V	VO	KEY	M-TAP x DEPTH	EA
4.75	+0.0000 -0.0010	5.30	8.27	-	1-1/4 x 1-1/4 x 7	1-8 UNC - 1.97	16.34
120	+0.035 +0.013	127	210	15	32 x 18 x 180	M24	415

IEC MOTOR ADAPTER - CLAMP COLLAR Dimension - Inch

	C	ZC	YC
132D	31.75	3.46	0.87
160D	33.27	4.98	0.79
180D	33.92	5.63	0.83
200D	34.31	6.02	1.18

IEC MOTOR ADAPTER - 3 PIECE COUPLED Dimension - Inch

	C	ZC	YC
132D	37.01	8.72	1.77
160D	39.45	11.16	2.60
180D	41.56	13.27	2.32
200D	41.60	13.31	2.36
225D	44.88	16.59	3.54
250D	45.06	16.77	2.95

Refer to page Engineering-3 for Input Flange and Shaft details.

NOMENCLATURE PAGE RHB-5	MOUNTING POSITIONS PAGE RHB-11	STOCK/NON-STOCK PART NUMBERS PAGE RHB-50	WEIGHTS PAGE RHB-372
----------------------------	-----------------------------------	---	-------------------------

DIMENSIONS



QUANTIS

QUANTIS GOLD

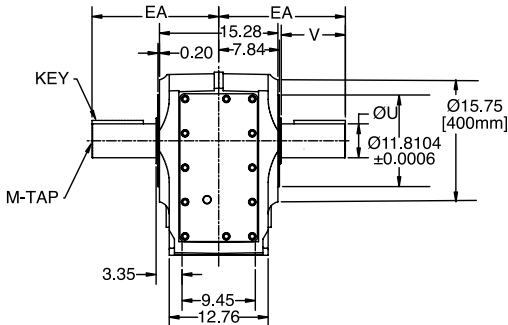
ILH

RHB

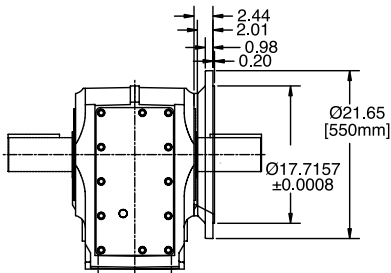
MSW

RIGHT ANGLE HELICAL BEVEL (RHB) Separate - Flange Mounted (B5 / B14) Triple Reduction Solid Output Shaft

SIZE: BF168

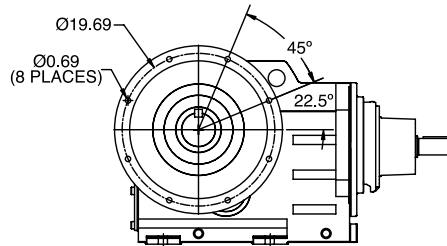
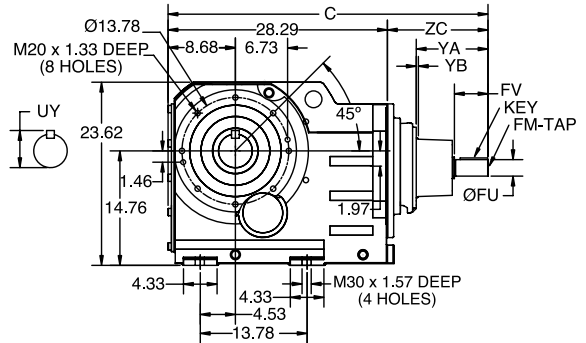
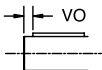


**B14 OUTPUT FLANGE -
Ø400mm**

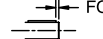


**B5 OUTPUT FLANGE -
Ø550mm**

METRIC OUTPUT SHAFT



METRIC INPUT SHAFT



NOMENCLATURE
PAGE RHB-5

MOUNTING POSITIONS
PAGE RHB-11

STOCK/NON-STOCK PART NUMBERS
PAGE RHB-50

WEIGHTS
PAGE RHB-372

RIGHT ANGLE HELICAL BEVEL (RHB)
 Separate - Flange Mounted (B5 / B14)
 Triple Reduction
 Solid Output Shaft

SIZE: BF168

STANDARD SOLID OUTPUT SHAFT

Dimension - Inch/MM

ØU	tol.	UY	V	VO	KEY	M-TAP x DEPTH	EA
4.375	+0.0000 -0.0010	4.82	8.27	-	1 x 1 x 6-5/8	1-8 UNC - 1.97	16.34
110	+0.035 +0.013	116	210	15	28 x 16 x 180	M24	415

OPTIONAL SOLID OUTPUT SHAFT

Dimension - Inch/MM

ØU	tol.	UY	V	VO	KEY	M-TAP x DEPTH	EA
4.75	+0.0000 -0.0010	5.30	8.27	-	1-1/4 x 1-1/4 x 7	1-8 UNC - 1.97	16.34
120	+0.035 +0.013	127	210	15	32 x 18 x 180	M24	415

SEPARATE INPUT

Dimension - Inch/MM

	C	ZC	FO	FM x Depth	ØFU	tol.	FV	YA	YB	Key
132	37.52	9.23	---	3/8-16 UNC x 0.87	1.375	+0.0000 -0.0005	3.15	6.61	0.14	5/16 x 5/16 x 2-3/4
	953	235	5	M12 x 28	38	+0.018 +0.002	80			10 x 8 x 70
160	39.06	10.77	---	5/8-11 UNC x 1.42	1.625	+0.0000 -0.0010	4.33	8.46	0.14	3/8 x 3/8 x 3-1/2
	992	274	10	M16 x 36	42	+0.018 +0.002	110			12 x 8 x 90
180	39.98	11.69	---	3/4-10 UNC x 1.65	2.125	+0.0000 -0.0010	4.33	9.25	0.16	1/2 x 1/2 x 3-5/8
	1016	297	10	M20 x 42	55	+0.030 +0.011	110			16 x 10 x 90
225	41.07	12.78	---	3/4-10 UNC x 1.65	2.125	+0.0000 -0.0010	4.33	9.02	0.14	1/2 x 1/2 x 3-5/8
	1073	355	15	M20 x 42	60	+0.030 +0.011	140			259
250	42.23	13.94	---	3/4-10 UNC x 1.65	2.375	+0.0000 -0.0010	5.51	10.20	0.14	5/8 x 5/8 x 4-3/8
	1073	354	15	M20 x 42	65	+0.030 +0.011	140			18 x 11 x 110

Refer to page Engineering-4 for Input Flange and Shaft details.

NOMENCLATURE PAGE RHB-5	MOUNTING POSITIONS PAGE RHB-11	STOCK/NON-STOCK PART NUMBERS PAGE RHB-50	WEIGHTS PAGE RHB-372
----------------------------	-----------------------------------	---	-------------------------

DIMENSIONS



RIGHT ANGLE HELICAL BEVEL (RHB) Integral Gearmotor - Flange Mounted (B5 / B14) Triple Reduction Solid Output Shaft

SIZE: BF168

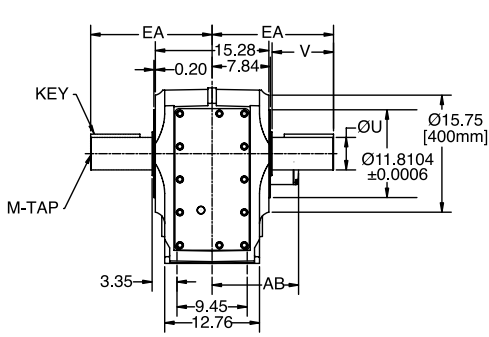
QUANTIS

QUANTIS GOLD

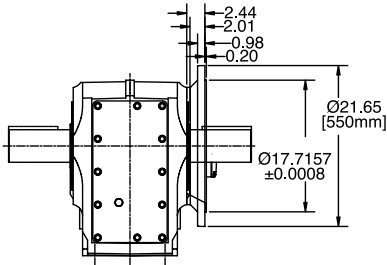
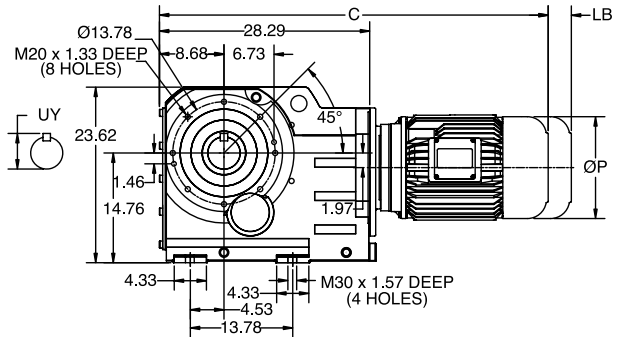
ILH

RHB

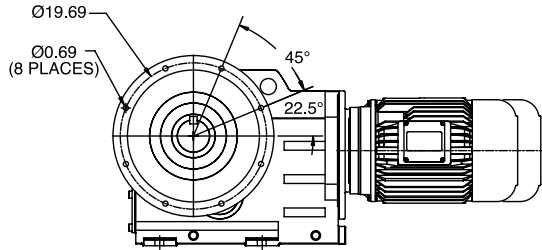
MSW



**B14 OUTPUT FLANGE -
Ø400mm**



**B5 OUTPUT FLANGE -
Ø550mm**



METRIC OUTPUT SHAFT



NOMENCLATURE PAGE RHB-5	MOUNTING POSITIONS PAGE RHB-11	STOCK/NON-STOCK PART NUMBERS PAGE RHB-50	WEIGHTS PAGE RHB-372
----------------------------	-----------------------------------	---	-------------------------

DIMENSIONS



RIGHT ANGLE HELICAL BEVEL (RHB) Integral Gearmotor - Flange Mounted (B5 / B14) Triple Reduction Solid Output Shaft

SIZE: BF168

STANDARD SOLID OUTPUT SHAFT

Dimension - Inch/MM

ØU	tol.	UY	V	VO	KEY	M-TAP x DEPTH	EA
4.375	+0.0000 -0.0010	4.82	8.27	-	1 x 1 x 6-5/8	1-8 UNC - 1.97	16.34
110	+0.035 +0.013	116	210	15	28 x 16 x 180	M24	415

OPTIONAL SOLID OUTPUT SHAFT

Dimension - Inch/MM

ØU	tol.	UY	V	VO	KEY	M-TAP x DEPTH	EA
4.75	+0.0000 -0.0010	5.30	8.27	-	1-1/4 x 1-1/4 x 7	1-8 UNC - 1.97	16.34
120	+0.035 +0.013	127	210	15	32 x 18 x 180	M24	415

MOTOR

Dimension - Inch/MM

Frame	C	LB	P	AB
132M4	44.09	3.9	10.28	8.09
	1120	99	262	206
132N4	45.59	3.9	10.28	8.09
	1158	99	262	206

QUANTIS

QUANTIS GOLD

ILH

RHB

MSM

NOMENCLATURE PAGE RHB-5	MOUNTING POSITIONS PAGE RHB-11	STOCK/NON-STOCK PART NUMBERS PAGE RHB-50	WEIGHTS PAGE RHB-372
----------------------------	-----------------------------------	---	-------------------------

DIMENSIONS



QUANTIS

QUANTIS GOLD

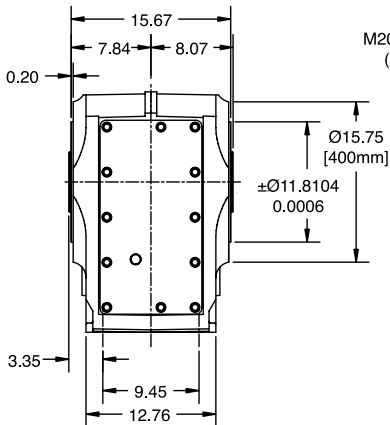
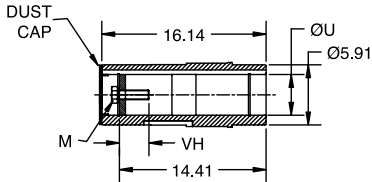
ILH

RHB

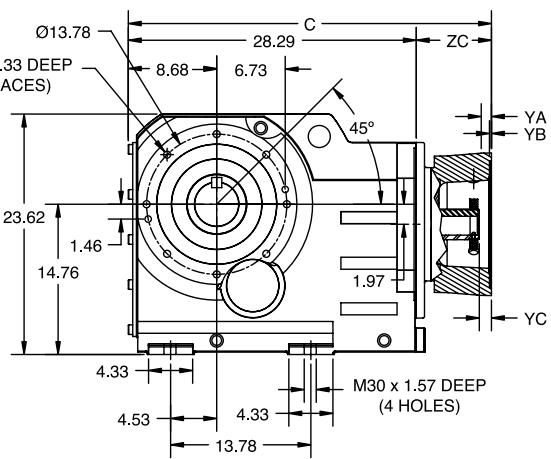
MSW

RIGHT ANGLE HELICAL BEVEL (RHB) NEMA C-Face - Flange Mounted (B5 / B14) - Clamp Collar / 3 Piece Coupled Triple Reduction Straight Hollow Bore Output Shaft

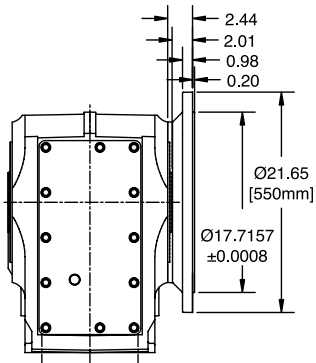
SIZE: BF168



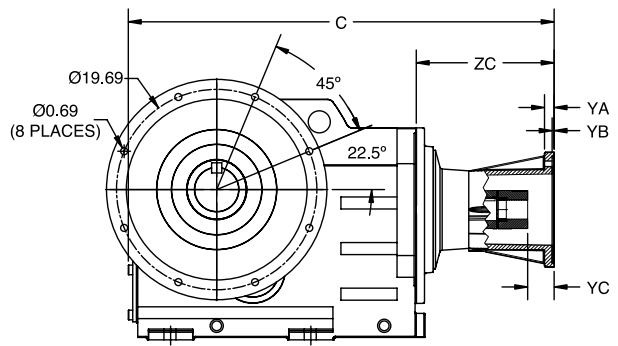
B14 OUTPUT FLANGE - Ø400mm



CLAMP COLLAR



B5 OUTPUT FLANGE - Ø550mm



THREE-PIECE COUPLED

NOMENCLATURE PAGE RHB-5	MOUNTING POSITIONS PAGE RHB-11	STOCK/NON-STOCK PART NUMBERS PAGE RHB-50	WEIGHTS PAGE RHB-372
----------------------------	-----------------------------------	---	-------------------------

DIMENSIONS



RIGHT ANGLE HELICAL BEVEL (RHB) NEMA C-Face - Flange Mounted (B5 / B14) - Clamp Collar / 3 Piece Coupled Triple Reduction Straight Hollow Bore Output Shaft

SIZE: BF168

STANDARD HOLLOW OUTPUT SHAFT

Dimension - Inch/MM

ØU	tol.	UY	VH	KEY	M
4.000	+0.0014 +0.0005	4.45	2.29	1 x 1 x 5-7/8	1-8 x 2-1/2 UNC
100	+0.034 +0.012	106	77	28 x 16 x 160	M24 x 95

OPTIONAL HOLLOW OUTPUT SHAFT

Dimension - Inch/MM

ØU	tol.	UY	VH	KEY	M
3.9375	+0.0014 +0.0005	4.39	2.13	1 x 1 x 6	1-8 x 2-1/2 UNC
110	+0.034 +0.012	116	78	28 x 16 x 160	M24 x 100

NEMA MOTOR ADAPTER - CLAMP COLLAR

Dimension - Inch

	C	ZC	YA	YB	YC
210TC	33.41	5.12	0.69	0.22	0.89
250TC	33.16	4.87	0.94	.020	1.13
280TC	34.08	5.79	0.94	0.20	1.30
320TC	35.69	7.40	1.00	0.20	1.19
360TC	37.40	9.11	1.02	0.20	1.48

NEMA MOTOR ADAPTER - 3 PIECE COUPLED

Dimension - Inch

	C	ZC	YA	YB	YC
210TC	37.25	8.96	0.87	0.22	2.01
250TC	39.02	10.73	0.94	0.20	2.17
280TC	41.83	13.54	0.94	0.20	2.57
320TC	44.33	16.04	1.02	0.20	2.99
360TC	45.38	17.09	1.02	0.20	3.27

Refer to page Engineering-2 for Input Flange and Shaft details.
Refer to page Engineering-8 and Engineering-9 for driven shaft dimensions.
Refer to page RHB-357 for Twin Tapered Bushing details.

NOMENCLATURE PAGE RHB-5	MOUNTING POSITIONS PAGE RHB-11	STOCK/NON-STOCK PART NUMBERS PAGE RHB-50	WEIGHTS PAGE RHB-372
----------------------------	-----------------------------------	---	-------------------------

DIMENSIONS



QUANTIS

QUANTIS GOLD

ILH

RHB

MSW

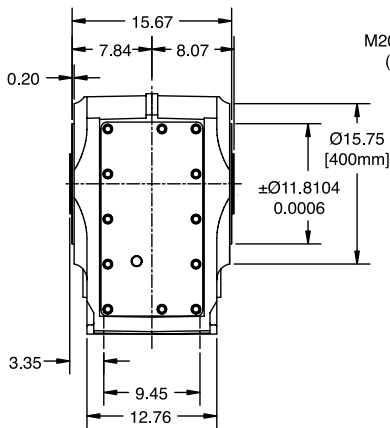
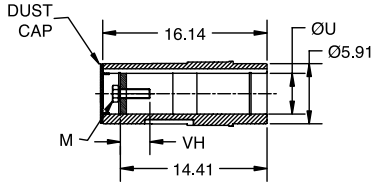
RIGHT ANGLE HELICAL BEVEL (RHB)

SIZE: BF168

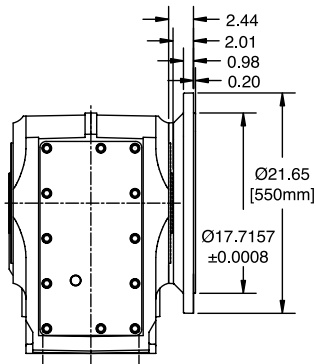
IEC D Flange (B5 Input) - Flange Mounted (B5 / B14) - Clamp Collar / 3 Piece Coupled

Triple Reduction

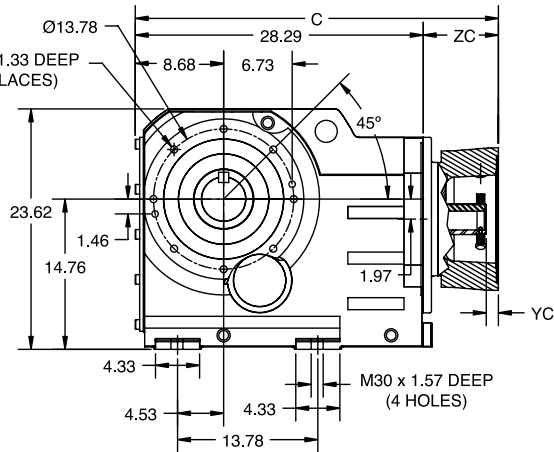
Straight Hollow Bore Output Shaft



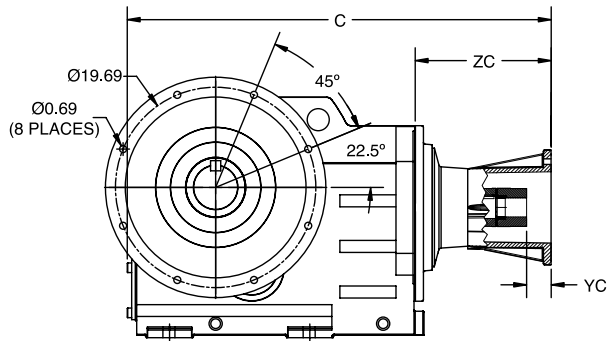
B14 OUTPUT FLANGE - Ø400mm



B5 OUTPUT FLANGE - Ø550mm



CLAMP COLLAR



THREE-PIECE COUPLED

NOMENCLATURE PAGE RHB-5	MOUNTING POSITIONS PAGE RHB-11	STOCK/NON-STOCK PART NUMBERS PAGE RHB-50	WEIGHTS PAGE RHB-372
----------------------------	-----------------------------------	---	-------------------------

DIMENSIONS



RIGHT ANGLE HELICAL BEVEL (RHB) SIZE: BF168 IEC D Flange (B5 Input) - Flange Mounted (B5 / B14) - Clamp Collar / 3 Piece Coupled Triple Reduction Straight Hollow Bore Output Shaft

STANDARD HOLLOW OUTPUT SHAFT Dimension - Inch/MM

ØU	tol.	UY	VH	KEY	M
4.000	+0.0014 +0.0005	4.45	2.29	1 x 1 x 5-7/8	1-8 x 2-1/2 UNC
100	+0.034 +0.012	106	77	28 x 16 x 160	M24 x 95

OPTIONAL HOLLOW OUTPUT SHAFT Dimension - Inch/MM

ØU	tol.	UY	VH	KEY	M
3.9375	+0.0014 +0.0005	4.39	2.13	1 x 1 x 6	1-8 x 2-1/2 UNC
110	+0.034 +0.012	116	78	28 x 16 x 160	M24 x 100

IEC MOTOR ADAPTER - CLAMP COLLAR Dimension - Inch

	C	ZC	YC
132D	31.75	3.46	0.87
160D	33.27	4.98	0.79
180D	33.92	5.63	0.83
200D	34.31	6.02	1.18

IEC MOTOR ADAPTER - 3 PIECE COUPLED Dimension - Inch

	C	ZC	YC
132D	37.01	8.72	1.77
160D	39.45	11.16	2.60
180D	41.56	13.27	2.32
200D	41.60	13.31	2.36
225D	44.88	16.59	3.54
250D	45.06	16.77	2.95

Refer to page Engineering-3 for Input Flange and Shaft details.
 Refer to page Engineering-8 and Engineering-9 for driven shaft dimensions.
 Refer to page RHB-357 for Twin Tapered Bushing details.

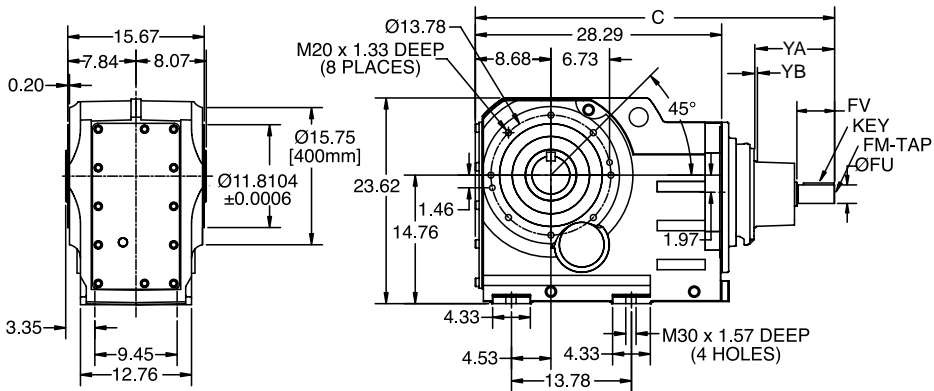
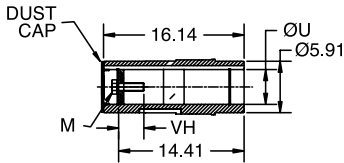
NOMENCLATURE PAGE RHB-5	MOUNTING POSITIONS PAGE RHB-11	STOCK/NON-STOCK PART NUMBERS PAGE RHB-50	WEIGHTS PAGE RHB-372
----------------------------	-----------------------------------	---	-------------------------

DIMENSIONS

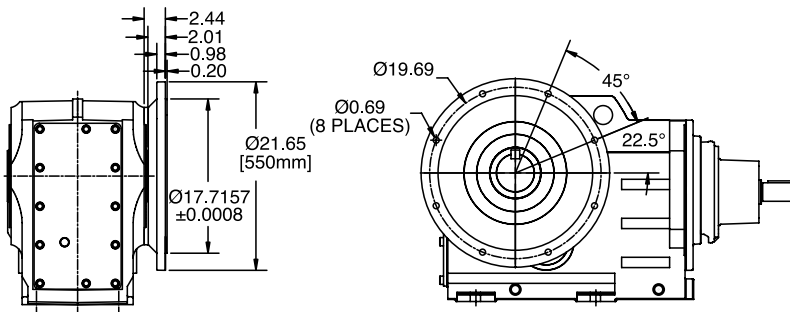


RIGHT ANGLE HELICAL BEVEL (RHB) Separate - Flange Mounted (B5 / B14) Triple Reduction Straight Hollow Bore Output Shaft

SIZE: BF168



**B14 OUTPUT FLANGE -
Ø400mm**



**B5 OUTPUT FLANGE -
Ø550mm**

METRIC INPUT SHAFT



NOMENCLATURE
PAGE RHB-5

MOUNTING POSITIONS
PAGE RHB-11

STOCK/NON-STOCK PART NUMBERS
PAGE RHB-50

WEIGHTS
PAGE RHB-372

RIGHT ANGLE HELICAL BEVEL (RHB) Separate - Flange Mounted (B5 / B14) Triple Reduction Straight Hollow Bore Output Shaft

SIZE: BF168

STANDARD HOLLOW OUTPUT SHAFT

Dimension - Inch/MM

ØU	tol.	UY	VH	KEY	M
4.000	+0.0014 +0.0005	4.45	2.29	1 x 1 x 5-7/8	1-8 x 2-1/2 UNC
100	+0.034 +0.012	106	77	28 x 16 x 160	M24 x 95

OPTIONAL HOLLOW OUTPUT SHAFT

Dimension - Inch/MM

ØU	tol.	UY	VH	KEY	M
3.9375	+0.0014 +0.0005	4.39	2.13	1 x 1 x 6	1-8 x 2-1/2 UNC
110	+0.034 +0.012	116	78	28 x 16 x 160	M24 x 100

SEPARATE INPUT

Dimension - Inch/MM

	C	ZC	FO	FM x Depth	ØFU	tol.	FV	YA	YB	Key
132	37.52	9.23	---	3/8-16 UNC x 0.87	1.375	+0.0000 -0.0005	3.15	6.61	0.14	5/16 x 5/16 x 2-3/4
	953	235	5	M12 x 28	38	+0.018 +0.002	80			10 x 8 x 70
160	39.06	10.77	---	5/8-11 UNC x 1.42	1.625	+0.0000 -0.0010	4.33	8.46	0.14	3/8 x 3/8 x 3-1/2
	992	274	10	M16 x 36	42	+0.018 +0.002	110			12 x 8 x 90
180	39.98	11.69	---	3/4-10 UNC x 1.65	2.125	+0.0000 -0.0010	4.33	9.25	0.16	1/2 x 1/2 x 3-5/8
	1016	297	10	M20 x 42	55	+0.030 +0.011	110			16 x 10 x 90
225	41.07	12.78	---	3/4-10 UNC x 1.65	2.125	+0.0000 -0.0010	4.33	9.02	0.14	1/2 x 1/2 x 3-5/8
	1073	355	15	M20 x 42	60	+0.030 +0.011	140			259
250	42.23	13.94	---	3/4-10 UNC x 1.65	2.375	+0.0000 -0.0010	5.51	10.20	0.14	5/8 x 5/8 x 4-3/8
	1073	354	15	M20 x 42	65	+0.030 +0.011	140			18 x 11 x 110

Refer to page Engineering-4 for Input Flange and Shaft details.
Refer to page Engineering-8 and Engineering-9 for driven shaft dimensions.
Refer to page RHB-357 for Twin Tapered Bushing details.

NOMENCLATURE PAGE RHB-5	MOUNTING POSITIONS PAGE RHB-11	STOCK/NON-STOCK PART NUMBERS PAGE RHB-50	WEIGHTS PAGE RHB-372
----------------------------	-----------------------------------	---	-------------------------

DIMENSIONS



RIGHT ANGLE HELICAL BEVEL (RHB) Integral Gearmotor- Flange Mounted (B5 / B14) Triple Reduction Straight Hollow Bore Output Shaft

SIZE: BF168

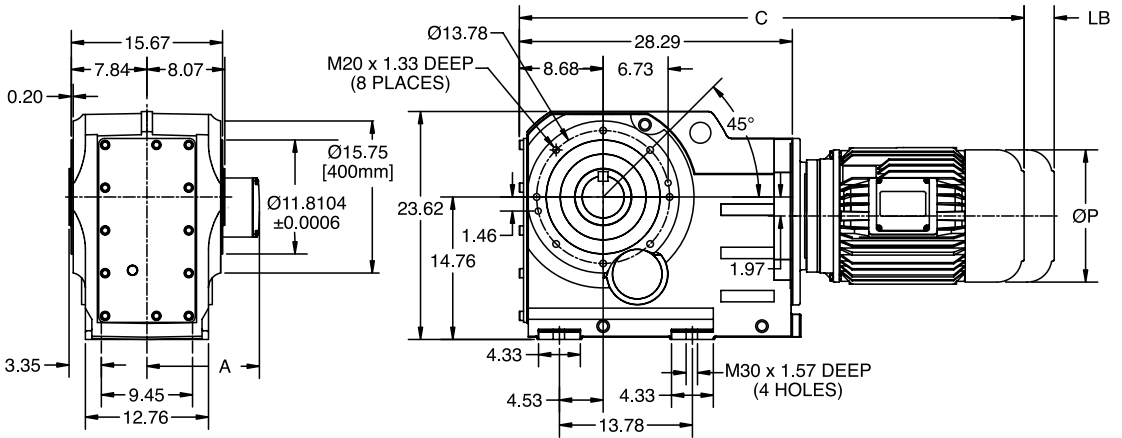
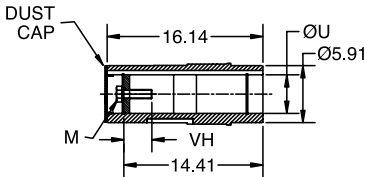
QUANTIS

QUANTIS GOLD

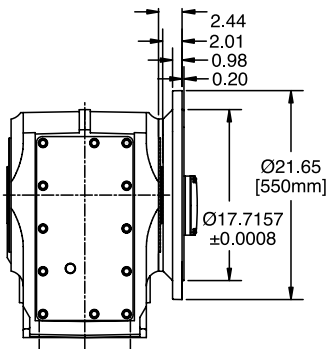
ILH

RHB

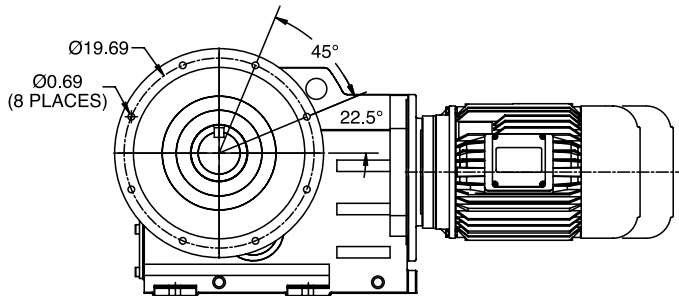
MSW



**B14 OUTPUT FLANGE -
Ø400mm**



**B5 OUTPUT FLANGE -
Ø550mm**



NOMENCLATURE PAGE RHB-5	MOUNTING POSITIONS PAGE RHB-11	STOCK/NON-STOCK PART NUMBERS PAGE RHB-50	WEIGHTS PAGE RHB-372
----------------------------	-----------------------------------	---	-------------------------

DIMENSIONS



RIGHT ANGLE HELICAL BEVEL (RHB) Integral Gearmotor- Flange Mounted (B5 / B14) Triple Reduction Straight Hollow Bore Output Shaft

SIZE: BF168

STANDARD HOLLOW OUTPUT SHAFT

Dimension - Inch/MM

ØU	tol.	UY	VH	KEY (H)	M-TAP x DEPTH
4.000	+0.0014 +0.0005	4.44	2.29	1 x 1 x 5-7/8	1-8 x 2-1/2 UNC
100	+0.034 +0.012	106	77	28 x 16 x 160	M24 x 95

OPTIONAL HOLLOW OUTPUT SHAFT

Dimension - Inch/MM

ØU	tol.	UY	VH	KEY (H)	M-TAP x DEPTH
3.9375	+0.0014 +0.0005	4.39	2.13	1 x 1 x 6	1-8 x 2-1/2 UNC
110	+0.034 +0.012	116	78	28 x 16 x 160	M24 x 100

MOTOR

Dimension - Inch/MM

Frame	C	LB	P	AB
132M4	44.09	3.9	10.28	8.09
	1120	99	262	206
132N4	45.59	3.9	10.28	8.09
	1158	99	262	206

Refer to page Engineering-8 and Engineering-9 for driven shaft dimensions.
Refer to page RHB-357 for Twin Tapered Bushing details.

QUANTIS

QUANTIS GOLD

ILH

RHB

MSM

NOMENCLATURE PAGE RHB-5	MOUNTING POSITIONS PAGE RHB-11	STOCK/NON-STOCK PART NUMBERS PAGE RHB-50	WEIGHTS PAGE RHB-372
----------------------------	-----------------------------------	---	-------------------------

DIMENSIONS



QUANTIS

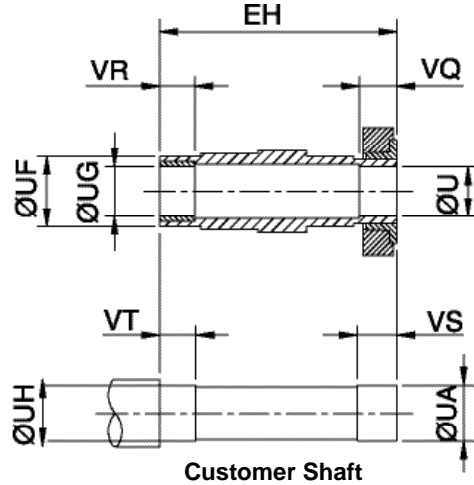
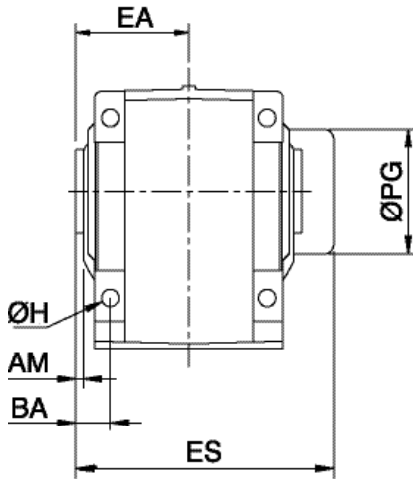
QUANTIS GOLD

ILH

RHB

MSM

RIGHT ANGLE HELICAL BEVEL (RHB) Shrink Disk - Foot Mounted

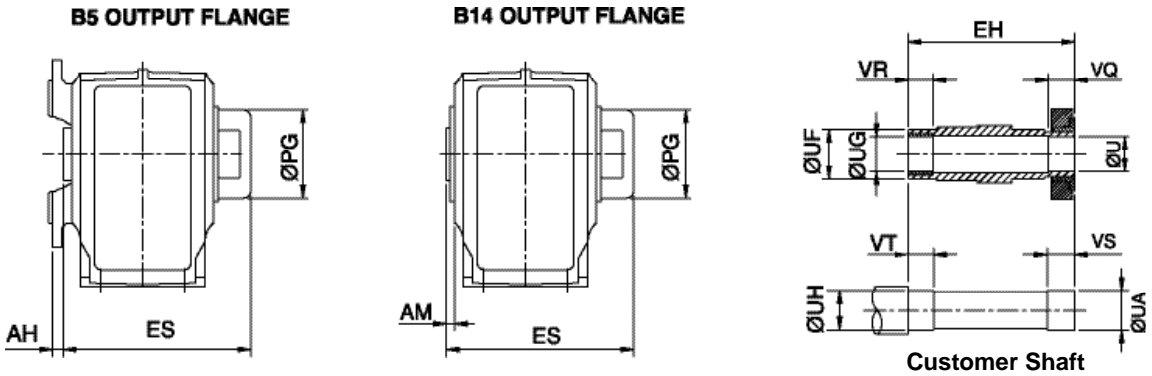


Dimension - Inch/MM

UNIT SIZE	AM	BA	ES	ØH	ØPG	EH	ØU	tol.	ØUA	tol.	ØUF	ØUG	tol.	ØUH	tol.	VQ	VR	VS	VT
BB38	0.24	0.39	6.06	0.43	3.03	5.75	---	---	---	---	1.77	---	---	---	---	0.87	0.79	1.06	0.98
	6	10	154	11	77	146	30	+0.021 -0.000	30	+0.000 -0.013	45	30	+0.021 -0.000	30	+0.000 -0.013	22	20	27	25
BB48	0.28	0.59	7.24	0.43	3.66	6.97	---	---	---	---	2.17	---	---	---	---	0.98	0.79	1.18	0.98
	7	15	184	11	93	177	40	+0.025 0.000	40	+0.000 -0.016	55	40	+0.025 -0.000	40	+0.000 -0.016	25	20	30	25
BB68	0.30	0.79	8.5	0.53	4.41	8.23	---	---	---	---	2.56	---	---	---	---	1.06	0.79	1.26	0.98
	7.5	20	216	13.5	112	209	50	+0.025 -0.000	50	+0.000 -0.016	65	50	+0.025 -0.000	50	+0.000 -0.016	27	20	32	25
BB88	0.33	0.89	9.8	0.71	5.2	9.49	---	---	---	---	3.15	---	---	---	---	1.14	1.18	1.34	1.38
	8.5	22.5	249	18	132	241	60	+0.030 -0.000	60	+0.000 -0.019	80	60	+0.030 -0.000	60	+0.000 -0.019	29	30	34	35
BB108	0.35	1.18	11.34	0.94	5.67	11.02	---	---	---	---	3.74	---	---	---	---	1.18	1.57	1.38	1.77
	9	30	288	24	144	280	70	+0.030 -0.000	70	+0.000 -0.019	95	70	+0.030 -0.000	70	+0.000 -0.019	30	40	35	45
BB128	0.35	1.18	14.06	1.02	7.09	13.58	---	---	---	---	4.33	---	---	---	---	1.57	1.97	1.77	2.17
	9	30	357	26	180	345	80	+0.030 -0.000	80	+0.000 -0.019	110	80	+0.030 -0.000	80	+0.000 -0.019	40	50	45	55
BB148	0.43	1.57	16.46	1.3	8.27	15.91	---	---	---	---	4.72	---	---	---	---	1.93	2.36	2.13	2.56
	11	40	418	33	210	404	95	+0.035 -0.000	95	+0.000 -0.022	120	95	+0.035 -0.000	95	+0.000 -0.022	49	60	54	65
BB168	0.43	1.57	19.53	1.54	9.33	19.02	---	---	---	---	5.91	---	---	---	---	2.13	2.76	2.32	2.95
	11	40	496	39	237	483	105	+0.035 -0.000	105	+0.000 -0.022	150	105	+0.035 -0.000	105	+0.000 -0.022	54	70	59	75

NOMENCLATURE PAGE RHB-5	MOUNTING POSITIONS PAGE RHB-11	STOCK/NON-STOCK PART NUMBERS PAGE RHB-50	WEIGHTS PAGE RHB-372
----------------------------	-----------------------------------	---	-------------------------

RIGHT ANGLE HELICAL BEVEL (RHB) Shrink Disk - Flange Mounted / Shaft Mounted



Dimension - Inch/MM

UNIT SIZE	AM	AH	ES	ØPG	EH	ØU	tol.	ØUA	tol.	ØUF	ØUG	tol.	ØUH	tol.	VQ	VR	VS	VT
BF38	0.24	0.94	6.06	3.03	5.75	---	---	---	---	1.77	---	---	---	---	0.87	0.79	1.06	0.98
	6	24	154	77	146	30	+0.021 -0.000	30	+0.000 -0.013	45	30	-0.000	30	-0.013	22	20	27	25
BF48	0.28	0.98	7.24	3.66	6.97	---	---	---	---	2.17	---	---	---	---	0.98	0.79	1.18	0.98
	7	25	184	93	177	40	+0.025 -0.000	40	+0.000 -0.016	55	40	-0.000	40	-0.016	25	20	30	25
BF68	0.30	0.91	8.50	4.41	8.23	---	---	---	---	2.56	---	---	---	---	1.06	0.79	1.26	0.98
	7.5	23	216	112	209	50	+0.025 -0.000	50	+0.000 -0.016	65	50	-0.000	50	-0.016	27	20	32	25
BF88	0.33	1.46	9.80	5.2	9.49	---	---	---	---	3.15	---	---	---	---	1.14	1.18	1.34	1.38
	8.5	37	249	132	241	60	+0.030 -0.000	60	+0.000 -0.019	80	60	-0.000	60	-0.019	29	30	34	35
BF108	0.35	1.42	11.34	5.67	11.02	---	---	---	---	3.74	---	---	---	---	1.18	1.57	1.38	1.77
	9	36	288	144	280	70	+0.030 -0.000	70	+0.000 -0.019	95	70	-0.000	70	-0.019	30	40	35	45
BF128	0.35	1.65	14.06	7.09	13.58	---	---	---	---	4.33	---	---	---	---	1.57	1.97	1.77	2.17
	9	42	357	180	345	80	+0.030 -0.000	80	+0.000 -0.019	110	80	-0.000	80	-0.019	40	50	45	55
BF148	0.43	1.61	16.46	8.27	15.91	---	---	---	---	4.72	---	---	---	---	1.93	2.36	2.13	2.56
	11	41	418	210	404	95	+0.035 -0.000	95	+0.000 -0.022	120	95	-0.000	95	-0.022	49	60	54	65
BF168	0.43	2.01	19.53	9.33	19.02	---	---	---	---	5.91	---	---	---	---	2.13	2.76	2.32	2.95
	11	51	496	237	483	105	+0.035 -0.000	105	+0.000 -0.022	150	105	-0.000	105	-0.022	54	70	59	75

NOMENCLATURE PAGE RHB-5	MOUNTING POSITIONS PAGE RHB-11	STOCK/NON-STOCK PART NUMBERS PAGE RHB-50	WEIGHTS PAGE RHB-372
----------------------------	-----------------------------------	---	-------------------------

DIMENSIONS



QUANTIS

QUANTIS GOLD

ILH

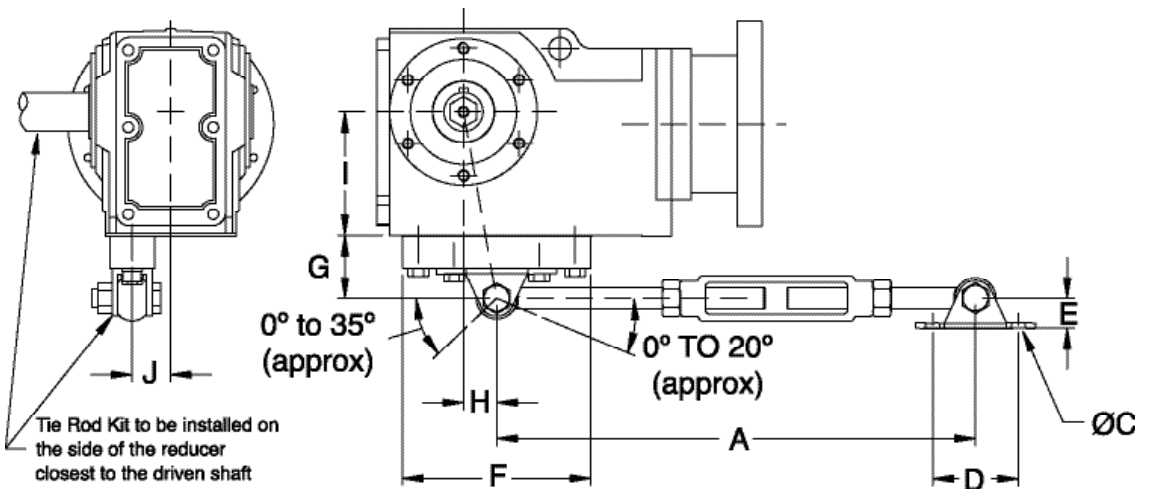
RHB

MSM

RIGHT ANGLE HELICAL BEVEL (RHB) Tie Rod Kit (KR) - BF Style Housing Only

Tie Rod Kits are available for restraining hollow shaft reducers with the flanged housing. Each kit includes the mounting block, tie rods, turnbuckle, fulcrum, and the mounting hardware.

Note: Tie rods should be used in tension, not compression, to achieve the rated performance.



Dimension - Inch

Size	Part Number	A (min-max)	ØC	D	E	F	G	H	I	J
BF38	094371	27.00 - 33.00	0.45	3.00	1.06	5.75	2.31	0.93	3.94	1.18
BF48	094201	27.00 - 33.00	0.45	3.00	1.06	6.63	2.19	1.18	4.41	1.38
BF68	094202	27.00 - 33.00	0.45	3.00	1.06	7.75	2.06	1.34	5.51	1.73
BF88	094372	29.00 - 35.00	0.52	4.00	1.75	8.75	2.88	1.46	7.09	2.27
BF108	094373	29.50 - 35.50	0.69	4.75	2.00	11.50	3.13	1.87	8.35	3.05
BF128	094374	30.00 - 36.00	0.81	7.03	3.13	12.75	5.13	1.61	10.43	3.84
BF148	094375	30.00 - 36.00	0.81	7.03	3.13	14.88	4.63	1.77	12.40	4.14
BF168	094376	30.50 - 36.75	1.13	8.47	3.38	18.00	6.38	2.36	14.76	4.73

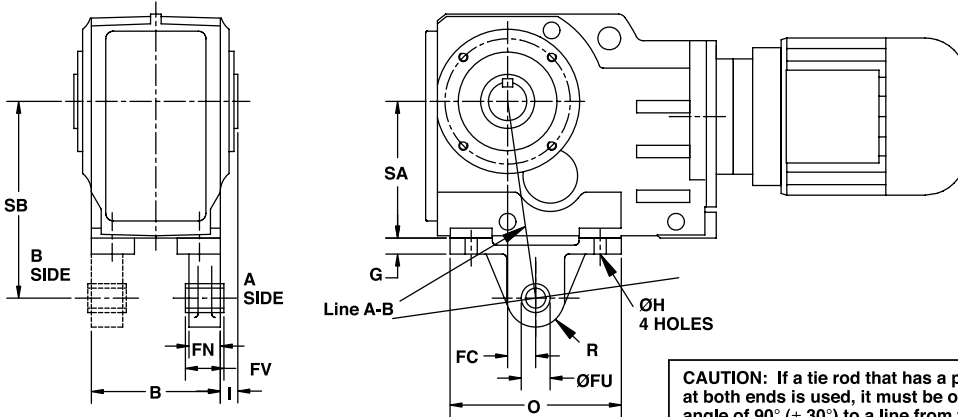
* Overall length can be reduce further (approximately 6 inches) by cutting the excess threaded rod from the tie rods

Please Note: Tie Rod Kits can only be mounted onto the hole pattern of the **flanged housing**. Foot mounted units are incompatible with this option

See page Engineering-12 for instructions for use.

NOMENCLATURE PAGE RHB-5	MOUNTING POSITIONS PAGE RHB-11	STOCK/NON-STOCK PART NUMBERS PAGE RHB-50	WEIGHTS PAGE RHB-372
----------------------------	-----------------------------------	---	-------------------------

RIGHT ANGLE HELICAL BEVEL (RHB) Torque Arm Bracket (K) - BF Style Housing Only



CAUTION: If a tie rod that has a pin connection at both ends is used, it must be oriented at an angle of 90° (± 30°) to a line from the center of the gearbox output shaft to the center of the Torque Arm. (Line A-B in the diagram). Exceeding the (± 30°) tolerance from 90° could cause excessive reaction loads and result in damage to the equipment.

Dimension - Inch/MM

UNIT SIZE	Part No.	B	G	φ H	I	O	R	FC	FN	FV	φFU	SA	SB	Weight lbs
BF38	085788	3.94	0.51	0.43	0.39	5.79	0.87	0.93	0.94	1.1	0.47	3.94	5.51	1.3
		100	13	11	10	147	22	23.5	24	28	12	100	140	
BF48	085821	4.33	0.51	0.43	0.79	6.69	1.34	1.18	1.42	1.65	0.71	4.41	6.3	2.9
		110	13	11	20	170	34	30	36	42	18	112	160	
BF68	085839	5.51	0.59	0.53	0.79	7.17	1.34	1.34	1.42	1.65	0.71	5.51	7.87	3.7
		140	15	13.5	20	182	34	34	36	42	18	140	200	
BF88	085857	6.69	0.79	0.69	0.79	8.03	1.57	1.46	1.97	2.2	0.98	7.09	9.84	6.4
		170	20	17.5	20	204	40	37	50	56	25	180	250	
BF108	085875	8.27	0.98	0.69	0.59	10.83	1.57	1.87	1.97	2.2	0.98	8.35	11.81	11
		210	25	17.5	15	275	40	47.5	50	56	25	212	300	
BF128	085893	10.04	1.18	0.87	0.89	12.91	1.57	1.61	1.97	2.2	0.98	10.43	13.78	14
		255	30	22	22.5	328	40	41	50	56	25	265	350	
BF148	085917	11.26	1.42	1.02	1.26	14.96	2.56	1.77	3.15	3.46	1.57	12.4	17.72	37
		286	36	26	32	380	65	45	80	88	40	315	450	
BF168	085944	12.76	1.57	1.3	1.69	18.11	2.56	2.36	3.15	3.46	1.57	14.76	21.65	52
		324	40	33	43	460	65	60	80	88	40	375	550	

Torque Arm kit includes bracket and bushing only. Customer to supply tie-rod.

Please Note: Torque Arm bracket can only be mounted onto the hole pattern of the **flanged housing**. Foot mounted units are incompatible with this option. See page Engineering-13 for Instructions for Use.

ØFU = Bore of bushing in bracket

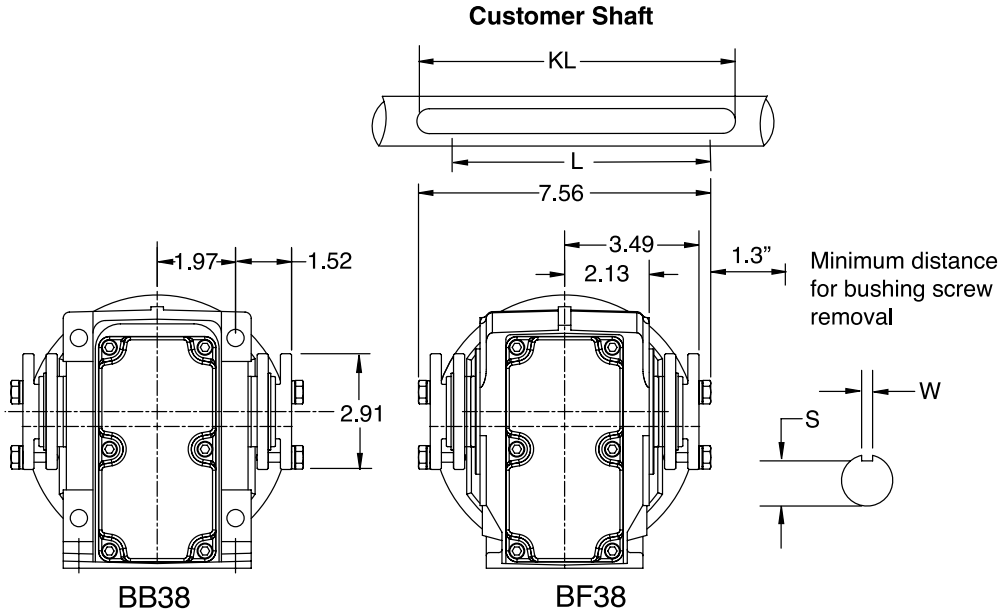
NOMENCLATURE PAGE RHB-5	MOUNTING POSITIONS PAGE RHB-11	STOCK/NON-STOCK PART NUMBERS PAGE RHB-50	WEIGHTS PAGE RHB-372
----------------------------	-----------------------------------	---	-------------------------

SELECTION/DIMENSIONS



RIGHT ANGLE HELICAL BEVEL (RHB) Twin Tapered Bushing

SIZE: B_38



BB38

BF38

Part Number	RHB Size 38	Bore	Weight (lbs)	L (4)	Part Number	RHB Size 38	Bore	Weight (lbs)	L (4)	Shaft Keyseat			
										W	S	KL (3)	
093105	Standard (1)	1.3750"	2.0	6.75"	---	---	---	---	---	0.313"	1.201"	7.00"	
093106	Standard	1.3125"	2.0		---	---	---	---	---	---	0.313"		1.137"
093107	Standard	1.2500"	2.4		---	---	---	---	---	---	0.250"		1.112"
093108	Standard	1.1875"	2.0		093115	Short Shaft (2)	1.1875"	2.0	---	---	0.250"		1.049"
093109	Standard	1.1250"	2.0		093116	Short Shaft	1.1250"	2.0	5.1875"	---	0.250"		0.986"
093110	Standard	1.0000"	2.0		093117	Short Shaft	1.0000"	2.0	---	---	0.250"		0.859"
093111	Standard	35 MM	2.0		---	---	---	---	---	---	10 mm		30 mm
093112	Standard	32 MM	2.0		---	---	---	---	---	---	10 mm		27 mm
093113	Standard	30 MM	2.0		093118	Short Shaft	30 MM	2.0	5.1875"	---	8 mm		26 mm
093114	Standard	25 MM	2.0		093119	Short Shaft	25 MM	2.0	---	---	8 mm		21 mm

- (1) - Standard Shaft Bushing Kit includes two standard bushings with two back-up plates and snap rings; hardware, and key.
- (2) - Short Shaft Bushing Kit includes one standard bushing, one long bushing with insertable wedge; two back-up plates with snap rings; hardware and key. This is an optional bushing for after market short shaft mounting.
- (3) - Standard key provided for Short Shaft Kit. Key will overhang customer shaft within bore.
- (4) - L dimension is the minimum required shaft length (in). Tolerance on customer shaft is nominal to 0.010" undersize on inch shaft, and nominal to 0.25mm undersize on metric shafts.

Note - the B5 flange can not be used in combination with the tapered hollow bore output shaft due to the flange interfering with the twin tapered bushings.

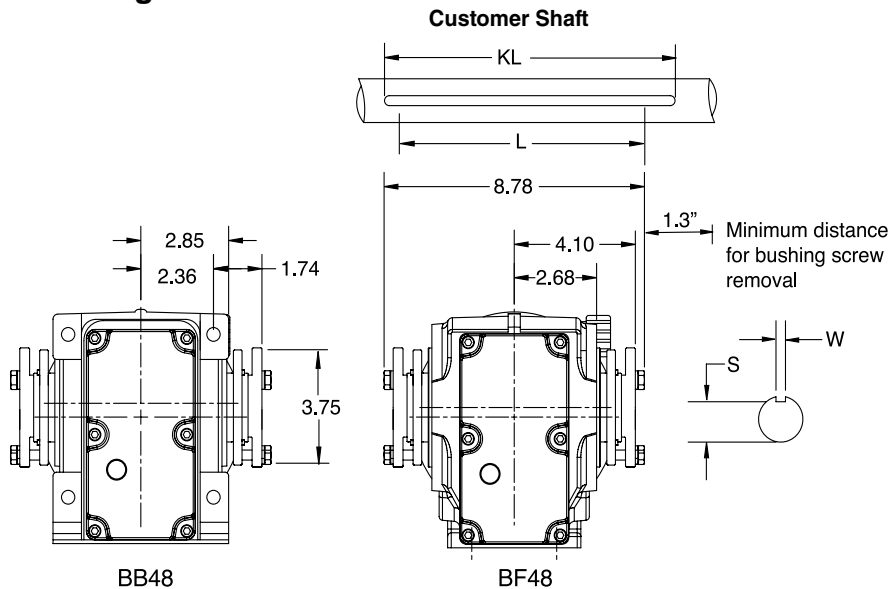
(--) - Bore Size not available.

 Shaded Bore Sizes are Standard Non-Stock.

NOMENCLATURE PAGE RHB-5	MOUNTING POSITIONS PAGE RHB-11	STOCK/NON-STOCK PART NUMBERS PAGE RHB-50	WEIGHTS PAGE RHB-372
----------------------------	-----------------------------------	---	-------------------------

RIGHT ANGLE HELICAL BEVEL (RHB) Twin Tapered Bushing

SIZE: B_48



Part Number	RHB Size 48	Bore	Weight (lbs)	L (4)	Part Number	RHB Size 48	Bore	Weight (lbs)	L (4)	Shaft Keyseat			
										W	S	KL (3)	
092593	Standard (1)	1.5000"	3.3	7.875"	---	---	---	---	5.6875"	0.375"	1.289"	8.1875"	
092594	Standard	1.4375"	3.6		092607	Short Shaft (2)	1.4375"	3.7		0.375"	1.225"		
092595	Standard	1.3750"	3.5		092608	Short Shaft	1.3750"	4.1		0.3125"	1.201"		
092596	Standard	1.3125"	3.8		092609	Short Shaft	1.3125"	4.0		0.3125"	1.137"		
092597	Standard	1.2500"	3.7		092610	Short Shaft	1.2500"	4.1		0.25"	1.112"		
092598	Standard	1.1875"	3.8		092611	Short Shaft	1.1875"	4.2		0.25"	1.049"		
092599	Standard	1.1250"	4.0		092612	Short Shaft	1.1250"	4.4		0.25"	0.986"		
092600	Standard	1.0625"	4.0		092613	Short Shaft	1.0625"	4.5		0.25"	0.923"		
092601	Standard	1.0000"	4.2		092614	Short Shaft	1.0000"	4.7		0.25"	0.859"		
092602	Standard	40 MM	3.3		---	---	---	---		---	12 mm		35 mm
092603	Standard	38 MM	3.3		---	---	---	---		---	12 mm		33 mm
092604	Standard	35 MM	3.6		092615	Short Shaft	35 MM	3.9		---	10 mm		30 mm
092605	Standard	32 MM	3.8		092616	Short Shaft	32 MM	4.2		5.6875"	10 mm		27 mm
092606	Standard	30 MM	3.8		092617	Short Shaft	30 MM	4.3		---	8 mm		26 mm

- (1) - Standard Shaft Bushing Kit includes two standard bushings with two back-up plates and snap rings; hardware, and key.
- (2) - Short Shaft Bushing Kit includes one standard bushing, one long bushing with insertable wedge; two back-up plates with snap rings; hardware and key.
This is an optional bushing for after market short shaft mounting.
- (3) - Standard key provided for Short Shaft Kit. Key will overhang customer shaft within bore.
- (4) - L dimension is the minimum required shaft length (in). Tolerance on customer shaft is nominal to 0.010" undersize on inch shaft, and nominal to 0.25mm undersize on metric shafts.

Note - the B5 flange can not be used in combination with the tapered hollow bore output shaft due to the flange interfering with the twin tapered bushings.

(---) - Bore Size not available.

Shaded Bore Sizes are Standard Non-Stock.

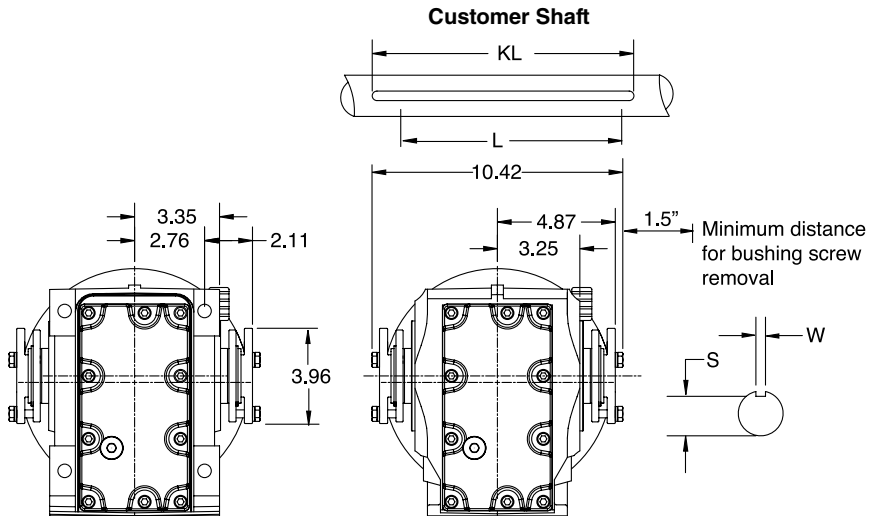
NOMENCLATURE PAGE RHB-5	MOUNTING POSITIONS PAGE RHB-11	STOCK/NON-STOCK PART NUMBERS PAGE RHB-50	WEIGHTS PAGE RHB-372
----------------------------	-----------------------------------	---	-------------------------

SELECTION/DIMENSIONS



RIGHT ANGLE HELICAL BEVEL (RHB) Twin Tapered Bushing

SIZE: B_68



BB68

BF68

Part Number	RHB Size 68	Bore	Weight (lbs)	L (4)	Part Number	RHB Size 68	Bore	Weight (lbs)	L (4)	Shaft Keyseat			
										W	S	KL (3)	
093121	Standard (1)	1.8750"	5.0	9.375"	---	---	---	---	---	0.500"	1.591"	9.75"	
093122	Standard	1.7500"	5.0		---	---	---	---	---	---	0.375"		1.542"
093123	Standard	1.6875"	5.0		---	---	---	---	---	---	0.375"		1.479"
093124	Standard	1.6250"	5.0		---	---	---	---	---	---	0.375"		1.416"
093125	Standard	1.5000"	5.0		093132	Short Shaft (2)	1.5000"	5.0	7.25"	7.25"	0.375"		1.289"
093126	Standard	1.4375"	5.0		093133	Short Shaft	1.4375"	5.0			0.375"		1.225"
093127	Standard	1.3750"	5.0		093134	Short Shaft	1.3750"	5.0			0.3125"		1.201"
093128	Standard	1.3125"	5.0		093135	Short Shaft	1.3125"	5.0			0.3125"		1.137"
093129	Standard	1.2500"	5.0		093136	Short Shaft	1.2500"	5.0			0.25"		1.112"
093130	Standard	1.1875"	5.0		093137	Short Shaft	1.1875"	5.0			0.25"		1.049"
093131	Standard	1.1250"	5.0		093138	Short Shaft	1.1250"	5.0			0.25"		0.986"
093139	Standard	45 MM	5.0		---	---	---	---			---		---
093140	Standard	42 MM	5.0		---	---	---	---	---	---	12 mm		37 mm
093141	Standard	40 MM	5.0		093146	Short Shaft	40 MM	5.0	7.25"	7.25"	12 mm		35 mm
093142	Standard	38 MM	5.0		093147	Short Shaft	38 MM	5.0			12 mm		33 mm
093143	Standard	35 MM	5.0	093148	Short Shaft	35 MM	5.0	10 mm			30 mm		
093144	Standard	32 MM	5.0	093149	Short Shaft	32 MM	5.0	10 mm			27 mm		
093145	Standard	30 MM	5.0	093150	Short Shaft	30 MM	5.0	8 mm			26 mm		

- (1) - Standard Shaft Bushing Kit includes two standard bushings with two back-up plates and snap rings; hardware, and key.
- (2) - Short Shaft Bushing Kit includes one standard bushing, one long bushing with insertable wedge; two back-up plates with snap rings; hardware and key. This is an optional bushing for after market short shaft mounting.
- (3) - Standard key provided for Short Shaft Kit. Key will overhang customer shaft within bore.
- (4) - L dimension is the minimum required shaft length (in). Tolerance on customer shaft is nominal to 0.010" undersize on inch shaft, and nominal to 0.25mm undersize on metric shafts.

Note - the B5 flange can not be used in combination with the tapered hollow bore output shaft due to the flange interfering with the twin tapered bushings.

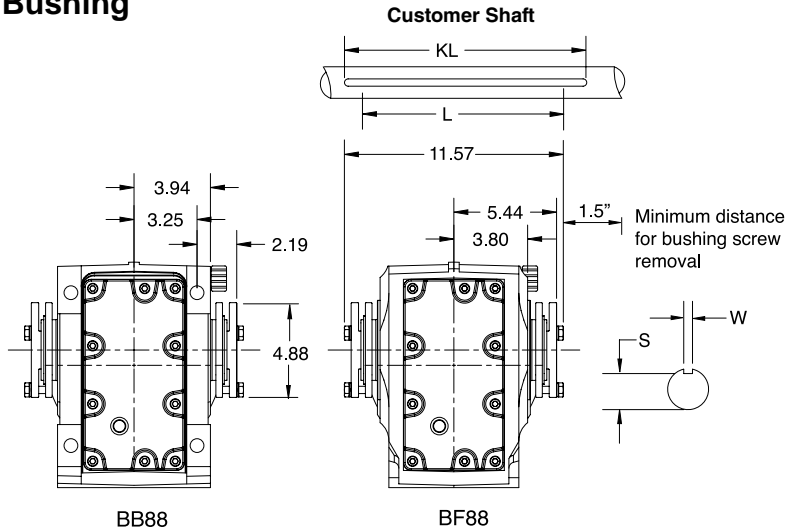
(---) - Bore Size not available.

Shaded Bore Sizes are Standard Non-Stock.

NOMENCLATURE PAGE RHB-5	MOUNTING POSITIONS PAGE RHB-11	STOCK/NON-STOCK PART NUMBERS PAGE RHB-50	WEIGHTS PAGE RHB-372
----------------------------	-----------------------------------	---	-------------------------

RIGHT ANGLE HELICAL BEVEL (RHB) Twin Tapered Bushing

SIZE: B_88



Part Number	RHB Size 88	Bore	Weight (lbs)	L (4)	Part Number	RHB Size 88	Bore	Weight (lbs)	L (4)	Shaft Keyseat			
										W	S	KL (3)	
092619	Standard (1)	2.3750"	6.1	10.50"	---	---	---	---	---	0.625	2.021"	11.25"	
092620	Standard	2.2500"	6.2		---	---	---	---	---	0.500"	1.893"		
092621	Standard	2.1875"	6.8		092631	Short Shaft (2)	2.1875"	7.0	7.5625"	---	0.500"		1.909"
092622	Standard	2.1250"	7.0		092632	Short Shaft	2.1250"	7.4			0.500"		1.845"
092623	Standard	2.0000"	7.5		092633	Short Shaft	2.0000"	8.0			0.500"		1.718"
092624	Standard	1.9375"	7.8		092634	Short Shaft	1.9375"	8.4			0.500"		1.655"
092625	Standard	1.8750"	8.0		092635	Short Shaft	1.8750"	8.7			0.500"		1.591"
092626	Standard	1.7500"	8.0		092636	Short Shaft	1.7500"	9.0			0.375"		1.542"
092627	Standard	1.6875"	8.2		092637	Short Shaft	1.6875"	9.3			0.375"		1.479"
092628	Standard	1.6250"	8.4		092638	Short Shaft	1.6250"	9.6			0.375"		1.416"
092629	Standard	1.5000"	8.8		092639	Short Shaft	1.5000"	9.9			0.375"		1.289"
092630	Standard	1.4375"	8.8		092640	Short Shaft	1.4375"	10.0			0.375"		1.225"
092641	Standard	60 MM	6.2		---	---	---	---	---	---	18 mm		53 mm
092642	Standard	55 MM	6.8		092649	Short Shaft	55 MM	7.1	7.5625"	---	16 mm		49 mm
092643	Standard	50 MM	7.5		092650	Short Shaft	50 MM	8.1			14 mm		44.5 mm
092644	Standard	45 MM	8.1		092651	Short Shaft	45 MM	9.0			14 mm		39.5 mm
092645	Standard	42 MM	8.4		092652	Short Shaft	42 MM	9.5			12 mm		37 mm
092646	Standard	40 MM	8.6		092653	Short Shaft	40 MM	9.8			12 mm		35 mm
092647	Standard	38 MM	8.8		092654	Short Shaft	38 MM	10.1			12 mm		33 mm
092648	Standard	35 MM	9.0		092655	Short Shaft	35 MM	10.6			10 mm		30 mm

- (1) - Standard Shaft Bushing Kit includes two standard bushings with two back-up plates and snap rings; hardware, and key.
- (2) - Short Shaft Bushing Kit includes one standard bushing, one long bushing with insertable wedge; two back-up plates with snap rings; hardware and key. This is an optional bushing for after market short shaft mounting.
- (3) - Standard key provided for Short Shaft Kit. Key will overhang customer shaft within bore.
- (4) - L dimension is the minimum required shaft length (in). Tolerance on customer shaft is nominal to 0.010" undersize on inch shaft, and nominal to 0.25mm undersize on metric shafts.

Note - the B5 flange can not be used in combination with the tapered hollow bore output shaft due to the flange interfering with the twin tapered bushings.

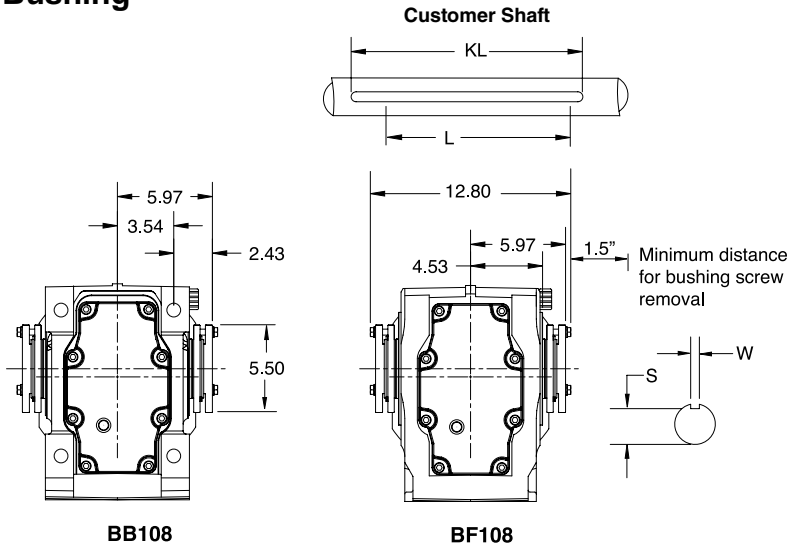
(---) - Bore Size not available.

Shaded Bore Sizes are Standard Non-Stock.

NOMENCLATURE PAGE RHB-5	MOUNTING POSITIONS PAGE RHB-11	STOCK/NON-STOCK PART NUMBERS PAGE RHB-50	WEIGHTS PAGE RHB-372
----------------------------	-----------------------------------	---	-------------------------

RIGHT ANGLE HELICAL BEVEL (RHB) Twin Tapered Bushing

SIZE: B_108



BB108

BF108

Part Number	RHB Size 108	Bore	Weight (lbs)	L (4)	Part Number	RHB Size 108	Bore	Weight (lbs)	L (4)	Shaft Keyseat			
										W	S	KL (3)	
092871	Standard (1)	2.6875"	9.4	11.6875"	---	---	---	---	---	0.625"	2.338"	12.625"	
092872	Standard	2.5000"	10.6		---	---	---	---	---	---	0.625"		2.148"
092873	Standard	2.4375"	10.8		092883	Short Shaft (2)	2.4375"	11.3	8.875"	8.875"	0.625"		2.084"
092874	Standard	2.3750"	11.3		092884	Short Shaft	2.3750"	11.8			0.625"		2.021"
092875	Standard	2.2500"	11.5		092885	Short Shaft	2.2500"	12.4			0.500"		1.893"
092876	Standard	2.1875"	11.5		092886	Short Shaft	2.1875"	12.8			0.500"		1.909"
092877	Standard	2.1250"	12.2		092887	Short Shaft	2.1250"	13.3			0.500"		1.845"
092878	Standard	2.0000"	12.6		092888	Short Shaft	2.0000"	13.9			0.500"		1.718"
092879	Standard	1.9375"	13.0		092889	Short Shaft	1.9375"	14.3			0.500"		1.655"
092880	Standard	1.8750"	13.2		092890	Short Shaft	1.8750"	14.6			0.500"		1.591"
092881	Standard	1.7500"	13.3		092891	Short Shaft	1.7500"	15.0			0.375"		1.542"
092882	Standard	1.6875"	13.5		092892	Short Shaft	1.6875"	15.3			0.375"		1.479"
092893	Standard	70 MM	9.1		---	---	---	---	---	---	20 mm		62.5 mm
092894	Standard	65 MM	10.0		092900	Short Shaft	65 MM	10.4	8.875"	8.875"	18 mm		58 mm
092895	Standard	60 MM	11.2		092901	Short Shaft	60 MM	11.8			18 mm		53 mm
092896	Standard	55 MM	12.0		092902	Short Shaft	55 MM	13.0			16 mm		49 mm
092897	Standard	50 MM	12.6		092903	Short Shaft	50 MM	14.0			14 mm		44.5 mm
092898	Standard	45 MM	12.6		092904	Short Shaft	45 MM	15.1			14 mm		39.5 mm
092899	Standard	42 MM	13.7		092905	Short Shaft	42 MM	15.6			12 mm		37 mm

- (1) - Standard Shaft Bushing Kit includes two standard bushings with two back-up plates and snap rings; hardware, and key.
- (2) - Short Shaft Bushing Kit includes one standard bushing, one long bushing with insertable wedge; two back-up plates with snap rings; hardware and key. This is an optional bushing for after market short shaft mounting.
- (3) - Standard key provided for Short Shaft Kit. Key will overhang customer shaft within bore.
- (4) - L dimension is the minimum required shaft length (in). Tolerance on customer shaft is nominal to 0.010" undersize on inch shaft, and nominal to 0.25mm undersize on metric shafts.

Note - the B5 flange can not be used in combination with the tapered hollow bore output shaft due to the flange interfering with the twin tapered bushings.

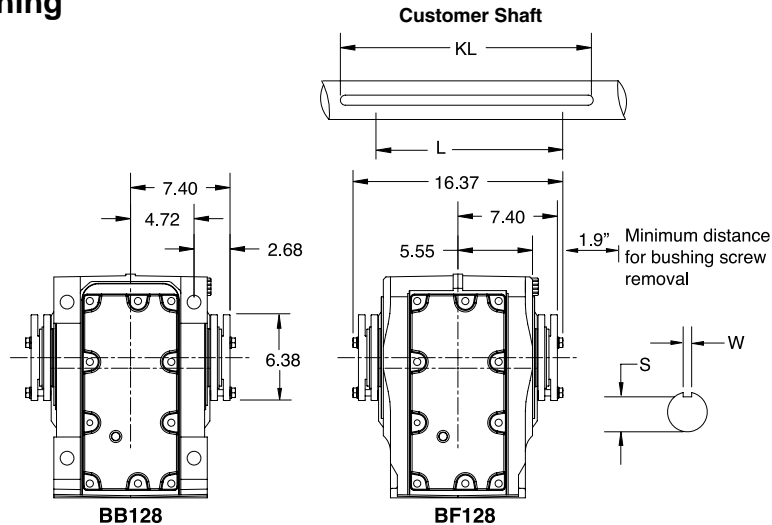
(---) - Bore Size not available.

Shaded Bore Sizes are Standard Non-Stock.

NOMENCLATURE PAGE RHB-5	MOUNTING POSITIONS PAGE RHB-11	STOCK/NON-STOCK PART NUMBERS PAGE RHB-50	WEIGHTS PAGE RHB-372
----------------------------	-----------------------------------	---	-------------------------

RIGHT ANGLE HELICAL BEVEL (RHB) Twin Tapered Bushing

SIZE: B_128



Part Number	RHB Size 128	Bore	Weight (lbs)	L (4)	Part Number	RHB Size 128	Bore	Weight (lbs)	L (4)	Shaft Keyseat			
										W	S	KL (3)	
092834	Standard (1)	3.1875"	13.7	14.875"	---	---	---	---	---	0.750"	2.768"	15.625"	
092835	Standard	3.0000"	15.1		---	---	---	---	---	---	0.750"		2.577"
092836	Standard	2.9375"	15.6		092847	Short Shaft (2)	2.9375"	16.2	11.375"	---	0.750"		2.514"
092837	Standard	2.8750"	16.1		092848	Short Shaft	2.8750"	16.9	---	---	0.750"		2.450"
092838	Standard	2.6875"	16.7		092849	Short Shaft	2.6875"	18.1	---	---	0.625"		2.338"
092839	Standard	2.5000"	17.9		092850	Short Shaft	2.5000"	19.7	---	---	0.625"		2.148"
092840	Standard	2.4375"	18.1		092851	Short Shaft	2.4375"	20.1	---	---	0.625"		2.084"
092841	Standard	2.3750"	18.3		092852	Short Shaft	2.3750"	20.5	---	---	0.625"		2.021"
092842	Standard	2.2500"	18.9		092853	Short Shaft	2.2500"	21.4	---	---	0.500"		1.893"
092843	Standard	2.1875"	19.1		092854	Short Shaft	2.1875"	21.8	---	---	0.500"		1.909"
092844	Standard	2.1250"	19.3		092855	Short Shaft	2.1250"	22.2	---	---	0.500"		1.845"
092845	Standard	2.0000"	19.9		092856	Short Shaft	2.0000"	23.0	---	---	0.500"		1.718"
092846	Standard	1.9375"	20.1		092857	Short Shaft	1.9375"	23.4	---	---	0.500"		1.655"
092858	Standard	80 MM	14.1		---	---	---	---	---	---	22 mm		71 mm
092859	Standard	75 MM	15.3		092865	Short Shaft	75 MM	15.8	11.375"	---	20 mm		67.5 mm
092860	Standard	70 MM	16.3		092866	Short Shaft	70 MM	17.4	---	---	20 mm		62.5 mm
092861	Standard	65 MM	17.5	092867	Short Shaft	65 MM	18.9	---	---	18 mm	58 mm		
092862	Standard	60 MM	18.5	092868	Short Shaft	60 MM	21.7	---	---	18 mm	53 mm		
092863	Standard	55 MM	19.3	092869	Short Shaft	55 MM	22.0	---	---	16 mm	49 mm		
092864	Standard	50 MM	19.9	092870	Short Shaft	50 MM	23.1	---	---	14 mm	44.5 mm		

- (1) - Standard Shaft Bushing Kit includes two standard bushings with two back-up plates and snap rings; hardware, and key.
- (2) - Short Shaft Bushing Kit includes one standard bushing, one long bushing with insertable wedge; two back-up plates with snap rings; hardware and key. This is an optional bushing for after market short shaft mounting.
- (3) - Standard key provided for Short Shaft Kit. Key will overhang customer shaft within bore.
- (4) - L dimension is the minimum required shaft length (in). Tolerance on customer shaft is nominal to 0.010" undersize on inch shaft, and nominal to 0.25mm undersize on metric shafts.

Note - the B5 flange can not be used in combination with the tapered hollow bore output shaft due to the flange interfering with the twin tapered bushings.

(---) - Bore Size not available.

 Shaded Bore Sizes are Standard Non-Stock.

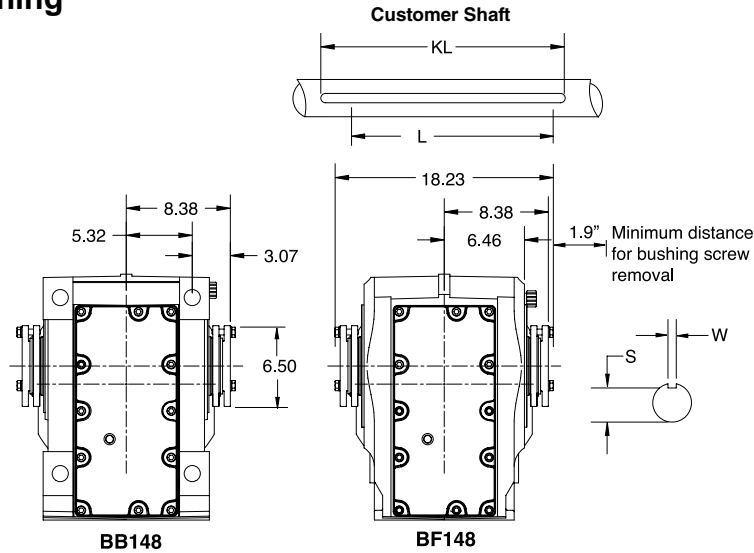
NOMENCLATURE PAGE RHB-5	MOUNTING POSITIONS PAGE RHB-11	STOCK/NON-STOCK PART NUMBERS PAGE RHB-50	WEIGHTS PAGE RHB-372
----------------------------	-----------------------------------	---	-------------------------

SELECTION/DIMENSIONS



RIGHT ANGLE HELICAL BEVEL (RHB) Twin Tapered Bushing

SIZE: B_148



Part Number	RHB Size 148	Bore	Weight (lbs)	L (4)	Part Number	RHB Size 148	Bore	Weight (lbs)	L (4)	Shaft Keyseat			
										W	S	KL (3)	
093033	Standard (1)	3.4375"	16.1	16.75"	093044	Short Shaft (2)	3.4375"	16.5	13.1875"	0.875"	2.943"	17.6875"	
093034	Standard	3.1875"	17.7		093045	Short Shaft	3.1875"	19.0		0.750"	2.768"		
093035	Standard	3.0000"	19.1		093046	Short Shaft	3.0000"	20.9		0.750"	2.577"		
093036	Standard	2.9375"	19.6		093047	Short Shaft	2.9375"	21.6		0.750"	2.514"		
093037	Standard	2.8750"	20.1		093048	Short Shaft	2.8750"	22.3		0.750"	2.450"		
093038	Standard	2.6875"	20.9		093049	Short Shaft	2.6875"	23.7		0.625"	2.338"		
093039	Standard	2.5000"	22.1		093050	Short Shaft	2.5000"	25.3		0.625"	2.148"		
093040	Standard	2.4375"	22.3		093051	Short Shaft	2.4375"	25.8		0.625"	2.084"		
093041	Standard	2.3750"	22.7		093052	Short Shaft	2.3750"	26.3		0.625"	2.021"		
093042	Standard	2.2500"	23.1		093053	Short Shaft	2.2500"	26.7		0.500"	1.893"		
093043	Standard	2.1875"	23.3		093054	Short Shaft	2.1875"	27.5		0.500"	1.909"		
093055	Standard	90 MM	14.9		---	---	---	---		---	25 mm		81 mm
093056	Standard	85 MM	16.4		093062	Short Shaft	85 MM	17.1		13.1875"	22 mm		76 mm
093057	Standard	80 MM	18.1		093063	Short Shaft	80 MM	19.4			22 mm		71 mm
093058	Standard	75 MM	19.3		093064	Short Shaft	75 MM	21.2			20 mm		67.5 mm
093059	Standard	70 MM	20.4		093065	Short Shaft	70 MM	23.0			20 mm		62.5 mm
093060	Standard	65 MM	21.4		093066	Short Shaft	65 MM	24.0			18 mm		58 mm
093061	Standard	60 MM	22.6	093067	Short Shaft	60 MM	26.3	18 mm	53 mm				

- (1) - Standard Shaft Bushing Kit includes two standard bushings with two back-up plates and snap rings; hardware, and key.
- (2) - Short Shaft Bushing Kit includes one standard bushing, one long bushing with insertable wedge; two back-up plates with snap rings; hardware and key. This is an optional bushing for after market short shaft mounting.
- (3) - Standard key provided for Short Shaft Kit. Key will overhang customer shaft within bore.
- (4) - L dimension is the minimum required shaft length (in). Tolerance on customer shaft is nominal to 0.010" undersize on inch shaft, and nominal to 0.25mm undersize on metric shafts.

Note - the B5 flange can not be used in combination with the tapered hollow bore output shaft due to the flange interfering with the twin tapered bushings.

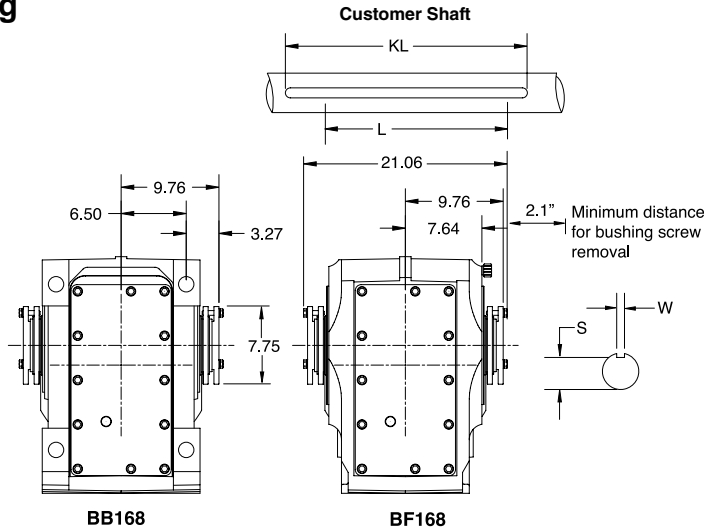
(--) - Bore Size not available.

Shaded Bore Sizes are Standard Non-Stock.

NOMENCLATURE PAGE RHB-5	MOUNTING POSITIONS PAGE RHB-11	STOCK/NON-STOCK PART NUMBERS PAGE RHB-50	WEIGHTS PAGE RHB-372
----------------------------	-----------------------------------	---	-------------------------

RIGHT ANGLE HELICAL BEVEL (RHB) Twin Tapered Bushing

SIZE: B_168



Part Number	RHB Size 168	Bore	Weight (lbs)	L (4)	Part Number	RHB Size 168	Bore	Weight (lbs)	L (4)	Shaft Keyseat		
										W	S	KL (3)
093068	Standard (1)	4.4375"	20.5	19.6875"	---	---	---	---	---	1.000"	3.880"	20.5625"
093069	Standard	4.1875"	23.5		---	---	---	---	---	1.000"	3.627"	
093070	Standard	3.9375"	26.3		093079	Short Shaft (2)	3.9375"	26.7	16.00"	1.000"	3.373"	
093071	Standard	3.4375"	30.9		093080	Short Shaft	3.4375"	34.2	0.875"	2.943"		
093072	Standard	3.1875"	32.6		093081	Short Shaft	3.1875"	36.7	0.750"	2.768"		
093073	Standard	3.0000"	34.0		093082	Short Shaft	3.0000"	38.8	0.750"	2.577"		
093074	Standard	2.9375"	34.6		093083	Short Shaft	2.9375"	39.6	0.750"	2.514"		
093075	Standard	2.8750"	35.0		093084	Short Shaft	2.8750"	40.2	0.750"	2.450"		
093076	Standard	2.6875"	35.8		093085	Short Shaft	2.6875"	41.7	0.625"	2.338"		
093077	Standard	2.5000"	37.2		093086	Short Shaft	2.5000"	43.6	0.625"	2.148"		
093078	Standard	2.4375"	37.4		093087	Short Shaft	2.4375"	44.1	0.625"	2.084"		
093088	Standard	110 MM	21.4		---	---	---	---	---	28 mm	100 mm	
093089	Standard	100 MM	25.9		093097	Short Shaft	100 MM	27.1	16.00"	28 mm	90 mm	
093090	Standard	95 MM	27.8		093098	Short Shaft	95 MM	29.8		25 mm	86 mm	
093091	Standard	90 MM	29.7	093099	Short Shaft	90 MM	32.5	25 mm		81 mm		
093092	Standard	85 MM	31.1	093100	Short Shaft	85 MM	34.6	22 mm		76 mm		
093093	Standard	80 MM	32.7	093101	Short Shaft	80 MM	37.0	22 mm		71 mm		
093094	Standard	75 MM	33.9	093102	Short Shaft	75 MM	39.0	20 mm		67.5 mm		
093095	Standard	70 MM	35.3	093103	Short Shaft	70 MM	41.1	20 mm		62.5 mm		
093096	Standard	65 MM	36.5	093104	Short Shaft	65 MM	42.8	18 mm		58 mm		

- (1) - Standard Shaft Bushing Kit includes two standard bushings with two back-up plates and snap rings; hardware, and key.
- (2) - Short Shaft Bushing Kit includes one standard bushing, one long bushing with insertable wedge; two back-up plates with snap rings; hardware and key. This is an optional bushing for after market short shaft mounting.
- (3) - Standard key provided for Short Shaft Kit. Key will overhang customer shaft within bore.
- (4) - L dimension is the minimum required shaft length (in). Tolerance on customer shaft is nominal to 0.010" undersize on inch shaft, and nominal to 0.25mm undersize on metric shafts.

Note - the B5 flange can not be used in combination with the tapered hollow bore output shaft due to the flange interfering with the twin tapered bushings.

(---) - Bore Size not available.

Shaded Bore Sizes are Standard Non-Stock.

NOMENCLATURE PAGE RHB-5	MOUNTING POSITIONS PAGE RHB-11	STOCK/NON-STOCK PART NUMBERS PAGE RHB-50	WEIGHTS PAGE RHB-372
----------------------------	-----------------------------------	---	-------------------------

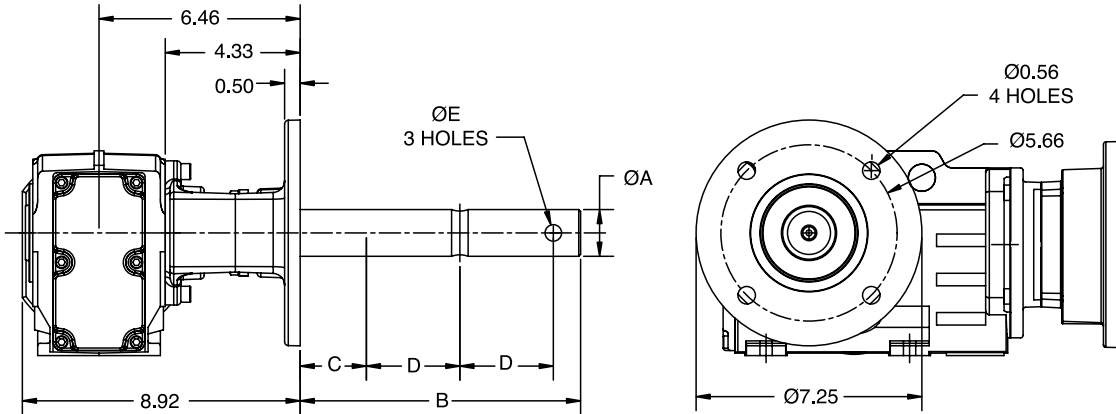
SELECTION/DIMENSIONS



RIGHT ANGLE HELICAL BEVEL (RHB) RHB 38 Screw Conveyor Drive

SIZE: BF38

Complete drive consists of reducer, CEMA drive shaft and adapter assembly. Drive is shipped unassembled.



CEMA Drive Shafts

Drive Shaft	Screw Dia.	Part No.	ØA	B	C	D	ØE	Weight (lbs)
1.5" Standard	6" - 9"	091583	1.50	9.00	2.13	3.00	0.53	8.0

	Part No.	Weight
Standard Adapter Assembly	091698	11.1
Severe Duty Package	091699	1.0

Notes:

Screw conveyor option is for use with the standard inch straight bore hollow shaft (1.250").

Severe Duty option includes packing retainer, stud and nut and a braided felt seal.

The RHB 38 is designed to handle 867 pounds thrust at the output bearings.

Refer to page RHB-90 - RHB-121 for dimensions of gearcase and input options.

NOMENCLATURE PAGE RHB-5	MOUNTING POSITIONS PAGE RHB-11	STOCK/NON-STOCK PART NUMBERS PAGE RHB-50	WEIGHTS PAGE RHB-372
----------------------------	-----------------------------------	---	-------------------------

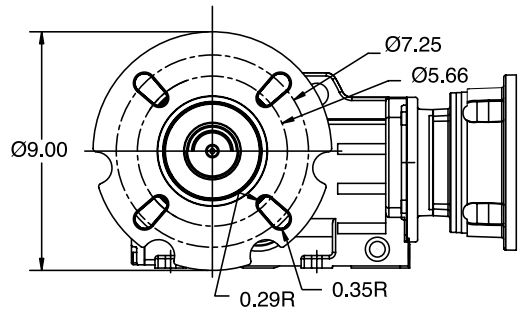
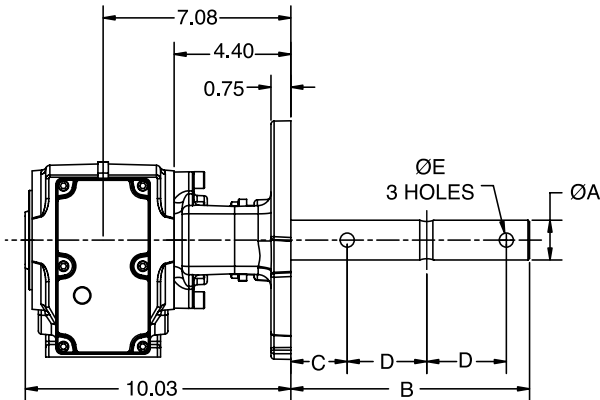
SELECTION/DIMENSIONS



RIGHT ANGLE HELICAL BEVEL (RHB) RHB 48 Screw Conveyor Drive

SIZE: BF48

Complete drive consists of reducer, CEMA drive shaft and adapter assembly. Drive is shipped unassembled.



CEMA Drive Shafts

Drive Shaft	Screw Dia.	Part No.	ØA	B	C	D	ØE	Weight (lbs)
1.5" Standard	6" - 9"	091585	1.50	9.00	2.13	3.00	0.53	9.4
2" Standard	9" - 12"	091587	2.00	9.00	2.13	3.00	0.66	12.8

	Part No.	Weight
Standard Adapter Assembly	091700	19.3
Severe Duty Package	091701	1.5

Notes:

Screw conveyor option is for use with the standard inch straight bore hollow shaft (1.375").

Severe Duty option includes packing retainer, stud and nut and a braided felt seal.

The RHB 48 is designed to handle 2267 pounds thrust at the output bearings.

Refer to page RHB-122 - RHB-153 for dimensions of gearcase and input options.

NOMENCLATURE PAGE RHB-5	MOUNTING POSITIONS PAGE RHB-11	STOCK/NON-STOCK PART NUMBERS PAGE RHB-50	WEIGHTS PAGE RHB-372
----------------------------	-----------------------------------	---	-------------------------

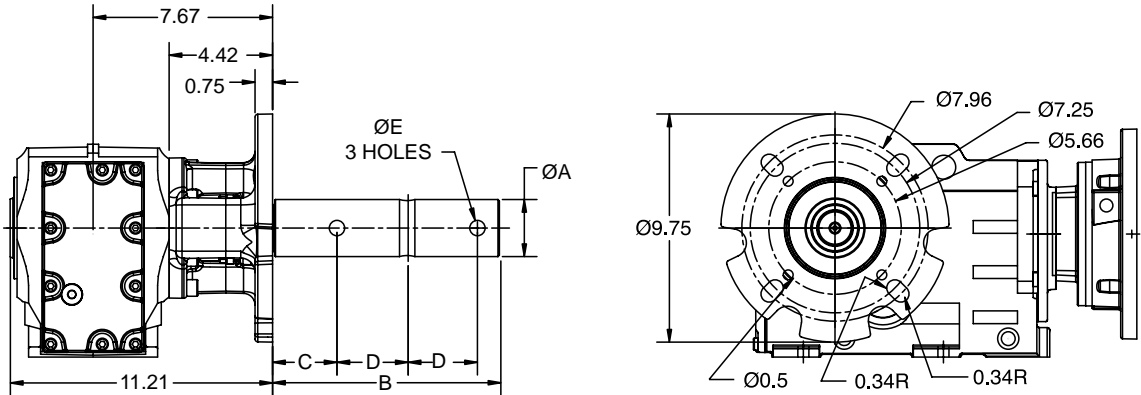
SELECTION/DIMENSIONS



RIGHT ANGLE HELICAL BEVEL (RHB) RHB 68 Screw Conveyor Drive

SIZE: BF68

Complete drive consists of reducer, CEMA drive shaft and adapter assembly. Drive is shipped unassembled.



CEMA Drive Shafts

Drive Shaft	Screw Dia.	Part No.	ØA	B	C	D	ØE	Weight (lbs)
1.5" Standard	6" - 9"	091589	1.50	9.00	2.13	3.00	0.53	10.5
2" Standard	9" - 12"	091591	2.00	9.00	2.13	3.00	0.66	13.8
2.4375" Standard	12" - 14"	091593	2.4375	9.69	2.75	3.00	0.66	18.6

	Part No.	Weight
Standard Adapter Assembly	091702	22.0
Severe Duty Package	091703	1.5

Notes:

Screw conveyor option is for use with the standard inch straight bore hollow shaft (1.50").

Severe Duty option includes packing retainer, stud and nut and a braided felt seal.

The RHB 68 is designed to handle 3067 pounds thrust at the output bearings.

Refer to page RHB-154 - RHB-185 for dimensions of gearcase and input options.

NOMENCLATURE PAGE RHB-5	MOUNTING POSITIONS PAGE RHB-11	STOCK/NON-STOCK PART NUMBERS PAGE RHB-50	WEIGHTS PAGE RHB-372
----------------------------	-----------------------------------	---	-------------------------

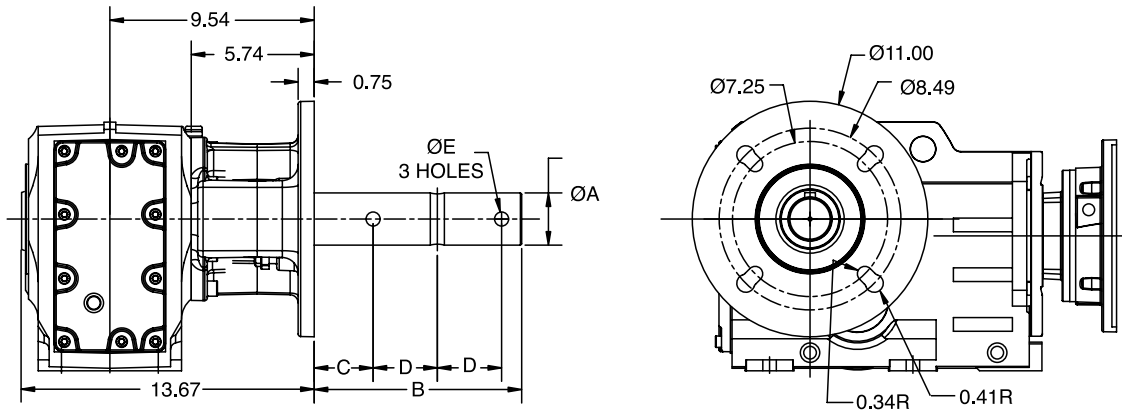
SELECTION/DIMENSIONS



RIGHT ANGLE HELICAL BEVEL (RHB) RHB 88 Screw Conveyor Drive

SIZE: BF88

Complete drive consists of reducer, CEMA drive shaft and adapter assembly. Drive is shipped unassembled.



CEMA Drive Shafts

Drive Shaft	Screw Dia.	Part No.	ØA	B	C	D	ØE	Weight (lbs)
2" Standard	9" - 12"	091597	2.00	9.00	2.13	3.00	0.66	22.3
2.4375" Standard	12" - 14"	091599	2.4375	9.69	2.75	3.00	0.66	27.1
3" Standard	12" - 20"	091601	3.00	9.87	2.87	3.00	0.78	33.7

	Part No.	Weight
Standard Adapter Assembly	091704	39.6
Severe Duty Package	091705	2.3

Notes:

Screw conveyor option is for use with the standard inch straight bore hollow shaft (2.00").

Severe Duty option includes packing retainer, stud and nut and a braided felt seal.

The RHB 88 is designed to handle 4000 pounds thrust at the output bearings.

Refer to page RHB-186 - RHB-217 for dimensions of gearcase and input options.

NOMENCLATURE PAGE RHB-5	MOUNTING POSITIONS PAGE RHB-11	STOCK/NON-STOCK PART NUMBERS PAGE RHB-50	WEIGHTS PAGE RHB-372
----------------------------	-----------------------------------	---	-------------------------

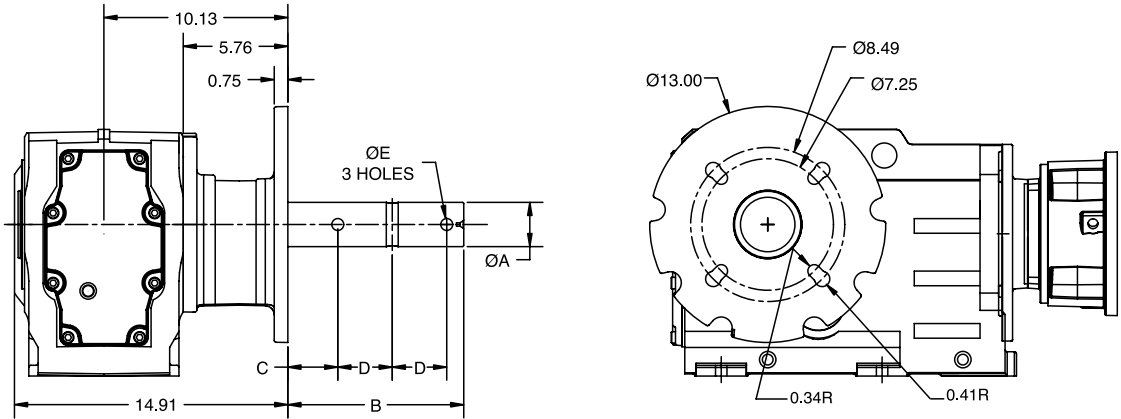
SELECTION/DIMENSIONS



RIGHT ANGLE HELICAL BEVEL (RHB) RHB 108 Screw Conveyor Drive

SIZE: BF108

Complete drive consists of reducer, CEMA drive shaft and adapter assembly. Drive is shipped unassembled.



CEMA Drive Shafts

Drive Shaft	Screw Dia.	Part No.	ØA	B	C	D	ØE	Weight (lbs)
2" Standard	9" - 12"	091603	2.00	9.00	2.13	3.00	0.66	27.2
2.4375" Standard	12" - 14"	091605	2.4375	9.69	2.75	3.00	0.66	32.1
3" Standard	12" - 20"	091607	3.00	9.87	2.87	3.00	0.78	38.8

	Part No.	Weight
Standard Adapter Assembly	091706	58.2
Severe Duty Package	091707	2.1

Notes:

Screw conveyor option is for use with the standard inch straight bore hollow shaft (2.375").

Severe Duty option includes packing retainer, stud and nut and a braided felt seal.

The RHB 108 is designed to handle 4667 pounds thrust at the output bearings.

Refer to page RHB-218 - RHB-249 for dimensions of gearcase and input options.

NOMENCLATURE PAGE RHB-5	MOUNTING POSITIONS PAGE RHB-11	STOCK/NON-STOCK PART NUMBERS PAGE RHB-50	WEIGHTS PAGE RHB-372
----------------------------	-----------------------------------	---	-------------------------

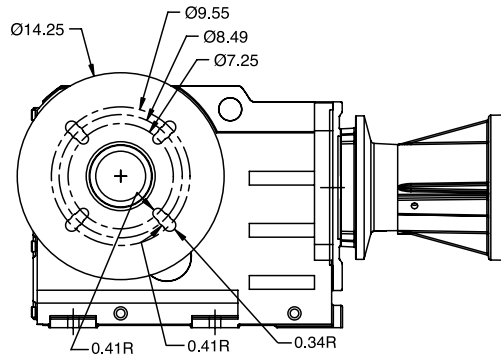
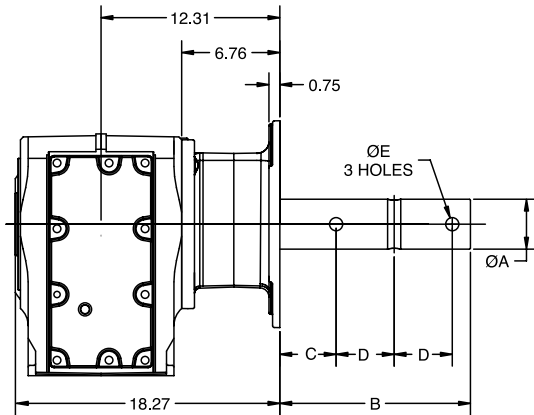
SELECTION/DIMENSIONS



RIGHT ANGLE HELICAL BEVEL (RHB) RHB 128 Screw Conveyor Drive

SIZE: BF128

Complete drive consists of reducer, CEMA drive shaft and adapter assembly. Drive is shipped unassembled.



CEMA Drive Shafts

Drive Shaft	Screw Dia.	Part No.	ØA	B	C	D	ØE	Weight (lbs)
2" Standard	9" - 12"	091609	2.00	9.00	2.13	3.00	0.66	43.4
2.4375" Standard	12" - 14"	091611	2.4375	9.69	2.75	3.00	0.66	48.2
3" Standard	12" - 20"	091613	3.00	9.87	2.87	3.00	0.78	54.9
3.4375" Standard	18" - 20"	091615	3.4375	13.13	3.87	4.00	0.91	69.4

	Part No.	Weight
Standard Adapter Assembly	091708	88.4
Severe Duty Package	091709	3.1

Notes:

Screw conveyor option is for use with the standard inch straight bore hollow shaft (2.750").

Severe Duty option includes packing retainer, stud and nut and a braided felt seal.

The RHB 128 is designed to handle 6000 pounds thrust at the output bearings.

Refer to page RHB-250 - RHB-281 for dimensions of gearcase and input options.

NOMENCLATURE PAGE RHB-5	MOUNTING POSITIONS PAGE RHB-11	STOCK/NON-STOCK PART NUMBERS PAGE RHB-50	WEIGHTS PAGE RHB-372
----------------------------	-----------------------------------	---	-------------------------

THERMAL RATINGS



THERMAL RATINGS - RHB 38

The Thermal HP ratings shown in the table below are based on an ambient temperature of 68- F, continuous operation and fan cooled motors as well as with the standard ISO220 factory filled lubricant. For ratings at other ambient temperatures, please consult Thermal Factors table below.

If using with different lubricants, please contact Application Engineering. Shaded areas indicate that the unit is thermally limited.

Ratio	1750 RPM							3450 RPM						
	Output Speed	Rated Power	Mounting Position					Output Speed	Rated Power	Mounting Position				
			A1	A2	A3	A4	A5 A6			A1	A2	A3	A4	A5 A6
RPM	HP	HP	HP	HP	HP	HP	RPM	HP	HP	HP	HP	HP	HP	
5.65	309.6	5.60	13.1	12.9	12.9	12.8	12.9	610.3	6.99	11.0	10.2	10.3	9.8	9.9
6.22	281.4	5.26	13.0	12.9	12.9	12.7	12.8	554.8	6.57	11.3	10.7	10.8	10.3	10.5
7.22	242.3	4.76	12.3	12.2	12.3	12.2	12.2	477.7	5.95	11.2	10.8	10.8	10.5	10.6
7.82	223.8	4.51	12.4	12.3	12.3	12.2	12.3	441.2	5.65	11.5	11.2	11.2	10.9	11.0
8.85	197.8	4.15	11.8	11.8	11.8	11.7	11.7	390.0	5.21	11.3	11.0	11.0	10.8	10.9
9.72	180.0	3.90	11.5	11.4	11.4	11.4	11.4	354.9	4.89	11.1	10.9	11.0	10.8	10.8
10.72	163.2	3.64	11.1	11.0	11.0	11.0	11.0	321.8	4.58	10.9	10.7	10.8	10.6	10.7
11.50	152.2	5.34	11.2	11.1	11.1	11.0	11.0	300.0	6.99	9.9	9.2	9.5	9.1	9.2
12.65	138.3	4.86	11.1	11.0	11.1	10.9	11.0	272.7	6.57	10.0	9.5	9.8	9.4	9.5
14.69	119.1	4.18	10.5	10.4	10.5	10.4	10.4	234.8	5.95	9.9	9.5	9.7	9.4	9.5
15.91	110.0	3.86	10.5	10.5	10.5	10.4	10.4	216.8	5.65	10.0	9.7	9.9	9.7	9.7
17.99	97.3	3.41	10.1	10.0	10.0	10.0	10.0	191.7	5.21	9.8	9.5	9.7	9.5	9.5
19.78	88.5	3.11	9.8	9.7	9.8	9.7	9.7	174.5	4.89	9.6	9.4	9.6	9.4	9.4
21.81	80.2	2.82	9.4	9.4	9.4	9.4	9.4	158.2	4.58	9.4	9.3	9.4	9.2	9.2
24.16	72.4	2.54	9.1	9.0	9.1	9.0	9.0	142.8	4.27	9.2	9.0	9.1	9.0	9.0
26.90	65.1	2.28	8.7	8.7	8.7	8.7	8.7	128.2	3.97	8.9	8.8	8.8	8.7	8.8
28.72	60.9	2.14	7.6	7.5	7.6	7.5	7.5	120.1	4.07	7.0	6.6	6.8	6.7	6.6
31.59	55.4	1.94	7.5	7.4	7.5	7.4	7.4	109.2	3.80	7.0	6.7	6.9	6.8	6.7
36.69	47.7	1.67	7.1	7.1	7.1	7.1	7.1	94.0	3.30	6.9	6.6	6.8	6.7	6.6
39.73	44.0	1.55	7.1	7.1	7.1	7.1	7.1	86.8	3.05	6.9	6.7	6.8	6.7	6.7
44.94	38.9	1.37	6.8	6.8	6.8	6.8	6.8	76.8	2.70	6.7	6.5	6.7	6.6	6.6
49.38	35.4	1.24	6.6	6.6	6.6	6.6	6.6	69.9	2.45	6.6	6.5	6.6	6.5	6.5
54.47	32.1	1.13	6.4	6.4	6.4	6.4	6.4	63.3	2.22	6.4	6.3	6.4	6.4	6.3
60.33	29.0	1.02	6.2	6.2	6.2	6.2	6.2	57.2	2.01	6.3	6.2	6.2	6.2	6.2
67.18	26.1	0.91	6.0	5.9	6.0	5.9	5.9	51.4	1.80	6.1	6.0	6.1	6.0	6.0
77.09	22.7	0.80	5.8	5.8	5.8	5.8	5.8	44.8	1.57	5.9	5.9	5.9	5.9	5.9
85.33	20.5	0.72	5.5	5.5	5.5	5.5	5.5	40.4	1.42	5.7	5.6	5.7	5.6	5.6
97.05	18.0	0.63	5.1	5.1	5.1	5.1	5.1	35.5	1.25	5.3	5.3	5.3	5.3	5.3
110.75	15.8	0.55	5.1	5.1	5.1	5.1	5.1	31.2	1.09	5.4	5.4	5.4	5.4	5.4
124.78	14.0	0.49	4.8	4.8	4.8	4.8	4.8	27.6	0.97	5.1	5.1	5.1	5.1	5.1
139.43	12.6	0.44	4.6	4.6	4.6	4.6	4.6	24.7	0.87	4.9	4.9	4.9	4.9	4.9
159.04	11.0	0.39	4.3	4.3	4.3	4.3	4.3	21.7	0.76	4.6	4.6	4.6	4.6	4.6
179.13	9.8	0.34	4.1	4.1	4.1	4.1	4.1	19.3	0.68	4.4	4.3	4.4	4.3	4.3

Ambient Temp (Deg. F)	Thermal Factor
0	1.83
20	1.59
40	1.27
60	1.11
68	1.00
80	0.87
100	0.65
120	0.43

Rated power as shown on the table above is for the largest available motor frame for a unit size and ratio. When using the factors in the table, compare result with the actual ratio and motor frame used.

Example: RHB 38, 14.69:1, 1750 RPM input speed, 140TC motor frame at 120 degree F ambient, A5 mounting position:

According to the table above, this unit is capable of 10.4 HP Thermally at 68 degree F. To convert this to the capability at 120 degrees F, multiply the rating by the factor in the Thermal Factors table (0.43). Actual Thermal Rating is 10.4*0.43 = 4.47 HP. The mechanical rating for the RHB 38, 14.69, 140TC frame is 4.18 HP. This unit is not thermally limited.

NOMENCLATURE PAGE RHB-5	MOUNTING POSITIONS PAGE RHB-11	SELECTION GEARMOTOR PAGE RHB-63	WEIGHTS PAGE RHB-372
----------------------------	-----------------------------------	------------------------------------	-------------------------

THERMAL RATINGS - RHB 48

The Thermal HP ratings shown in the table below are based on an ambient temperature of 68- F, continuous operation and fan cooled motors as well as with the standard ISO220 factory filled lubricant. For ratings at other ambient temperatures, please consult Thermal Factors table below.

If using with different lubricants, please contact Application Engineering. Shaded areas indicate that the unit is thermally limited.

Ratio	1750 RPM							3450 RPM						
	Output Speed	Rated Power	Mounting Position					Output Speed	Rated Power	Mounting Position				
			A1	A2	A3	A4	A5 A6			A1	A2	A3	A4	A5 A6
	RPM	HP	HP	HP	HP	HP	HP	RPM	HP	HP	HP	HP	HP	
7.22	242.3	9.90	16.1	15.9	15.9	15.7	15.8	477.7	12.95	13.7	12.8	12.9	12.2	12.5
8.40	208.4	8.51	15.6	15.8	15.8	15.3	15.4	410.8	11.71	13.9	13.3	13.4	12.9	13.1
9.32	187.8	7.67	14.9	14.9	14.9	14.7	14.8	370.2	10.92	13.7	13.3	13.3	12.9	13.1
10.15	172.4	7.04	15.1	15.1	15.0	14.9	15.0	340.0	10.31	14.1	14.2	13.9	13.5	13.7
11.95	146.4	8.70	13.8	13.6	13.7	13.5	13.6	288.6	12.95	12.1	11.4	11.7	11.1	11.3
13.90	125.9	7.83	13.2	13.1	13.2	13.0	13.1	248.2	11.71	12.1	11.6	11.9	11.4	11.6
15.42	113.5	7.17	12.6	12.5	12.6	12.5	12.5	223.7	10.92	11.9	11.4	11.6	11.3	11.4
16.79	104.2	6.59	12.7	12.6	12.6	12.5	12.6	205.4	10.31	12.1	11.8	12.0	11.6	11.8
18.78	93.2	5.89	12.0	12.0	12.0	12.0	12.0	183.7	9.56	11.7	11.5	11.6	11.4	11.5
20.54	85.2	5.39	11.6	11.5	11.6	11.5	11.5	168.0	9.00	11.4	11.2	11.3	11.1	11.2
22.54	77.6	4.91	11.1	11.1	11.1	11.1	11.1	153.1	8.45	11.1	11.0	11.1	10.9	11.0
24.85	70.4	4.45	10.8	10.7	10.8	10.7	10.7	138.8	7.91	10.9	10.8	10.8	10.7	10.8
27.55	63.5	4.02	10.3	10.3	10.3	10.2	10.3	125.2	7.37	10.5	10.4	10.5	10.3	10.4
28.90	60.6	3.83	10.0	9.9	10.0	9.9	9.9	119.4	6.70	9.2	8.7	9.0	8.8	8.7
33.60	52.1	3.29	9.6	9.5	9.6	9.5	9.5	102.7	6.02	9.1	8.7	9.0	8.8	8.7
37.28	46.9	2.97	9.2	9.1	9.2	9.1	9.1	92.5	5.60	8.8	8.5	8.7	8.6	8.6
40.60	43.1	2.73	9.2	9.1	9.2	9.1	9.1	85.0	5.28	8.9	8.7	8.9	8.7	8.7
45.41	38.5	2.44	8.8	8.7	8.8	8.7	8.7	76.0	4.80	8.6	8.4	8.6	8.5	8.5
49.65	35.2	2.23	8.4	8.4	8.4	8.4	8.4	69.5	4.39	8.4	8.3	8.4	8.3	8.3
54.49	32.1	2.03	8.1	8.1	8.1	8.1	8.1	63.3	4.00	8.2	8.1	8.2	8.1	8.1
60.08	29.1	1.84	7.9	7.9	7.9	7.9	7.9	57.4	3.63	8.0	7.9	8.0	7.9	7.9
66.60	26.3	1.66	7.6	7.5	7.6	7.5	7.5	51.8	3.27	7.7	7.7	7.7	7.7	7.7
75.45	23.2	1.47	7.4	7.3	7.4	7.3	7.3	45.7	2.89	7.6	7.5	7.6	7.5	7.5
83.25	21.0	1.33	6.9	6.9	6.9	6.9	6.9	41.4	2.62	7.2	7.2	7.2	7.2	7.2
94.12	18.6	1.18	6.5	6.5	6.5	6.5	6.5	36.7	2.32	6.8	6.8	6.8	6.8	6.8
107.47	16.3	1.03	6.5	6.4	6.5	6.4	6.4	32.1	2.03	6.8	6.8	6.8	6.8	6.8
122.19	14.3	0.91	6.0	6.0	6.0	6.0	6.0	28.2	1.78	6.4	6.4	6.4	6.4	6.3
130.78	13.4	0.85	5.9	5.9	5.9	5.9	5.9	26.4	1.67	6.3	6.2	6.3	6.2	6.2
150.76	11.6	0.73	5.6	5.6	5.6	5.6	5.6	22.9	1.45	6.0	6.0	6.0	6.0	6.0
169.53	10.3	0.65	5.3	5.3	5.4	5.3	5.3	20.4	1.29	5.7	5.7	5.8	5.7	5.7

RHB Thermal Factors	
Ambient Temp (Deg. F)	Thermal Factor
0	1.83
20	1.59
40	1.27
60	1.11
68	1.00
80	0.87
100	0.65
120	0.43

Rated power as shown on the table above is for the largest available motor frame for a unit size and ratio. When using the factors in the table, compare result with the actual ratio and motor frame used.

Example: RHB 48, 11.95:1, 3450 RPM input speed, 180TC motor frame at 100 degree F ambient, A1 mounting position:

According to the table above, this unit is capable of 12.1 HP Thermally at 68 degree F. To convert this to the capability at 100 degrees F, multiply the rating by the factor in the Thermal Factors table (0.65). Actual Thermal Rating is 12.1*0.65 = 7.87 HP. The mechanical rating for the RHB 48, 11.95, 180TC frame is 12.95 HP. This unit is now thermally limited to 7.87 HP.

NOMENCLATURE PAGE RHB-5	MOUNTING POSITIONS PAGE RHB-11	SELECTION GEARMOTOR PAGE RHB-63	WEIGHTS PAGE RHB-372
----------------------------	-----------------------------------	------------------------------------	-------------------------

THERMAL RATINGS



QUANTIS

QUANTIS GOLD

ILH

RHB

MSM

THERMAL RATINGS - RHB 68

The Thermal HP ratings shown in the table below are based on an ambient temperature of 68- F, continuous operation and fan cooled motors as well as with the standard ISO220 factory filled lubricant. For ratings at other ambient temperatures, please consult Thermal Factors table below.

If using with different lubricants, please contact Application Engineering. Shaded areas indicate that the unit is thermally limited.

Ratio	1750 RPM							3450 RPM						
	Output Speed	Rated Power	Mounting Position					Output Speed	Rated Power	Mounting Position				
			A1	A2	A3	A4	A5 A6			A1	A2	A3	A4	A5 A6
	RPM	HP	HP	HP	HP	HP	HP	RPM	HP	HP	HP	HP	HP	HP
5.36	326.4	13.88	28.8	30.7	30.3	29.8	30.3	643.5	23.72	24.5	21.2	19.8	17.6	18.9
6.44	271.7	13.88	29.7	29.6	29.5	29.1	29.5	535.6	20.98	26.3	25.7	23.3	21.9	22.7
7.58	230.8	13.88	28.8	28.9	28.7	28.4	28.7	454.9	18.80	27.2	25.8	25.2	24.3	24.9
8.50	205.9	13.88	28.5	29.2	28.5	28.2	28.4	406.0	17.41	27.8	27.0	26.4	25.5	26.1
9.52	183.8	13.76	27.6	27.8	27.7	27.5	27.5	362.3	16.11	27.7	27.0	26.6	26.1	27.6
10.40	168.3	12.94	26.7	26.8	27.3	26.6	27.3	331.9	15.18	27.3	26.7	26.4	25.9	26.3
11.94	146.5	13.71	22.3	22.3	22.4	22.0	22.2	288.9	20.49	19.5	17.0	18.0	16.5	16.8
14.35	122.0	12.06	21.2	21.2	21.3	21.1	21.2	240.4	18.02	20.1	18.4	19.1	18.1	18.3
16.89	103.6	10.75	20.3	20.4	20.4	20.3	20.3	204.2	16.08	20.2	19.1	19.6	18.9	19.1
18.93	92.4	9.93	19.9	20.0	20.0	19.9	19.9	182.3	14.85	20.3	19.5	19.9	19.3	19.5
21.22	82.5	9.17	19.2	19.3	19.3	19.2	19.3	162.6	13.71	20.0	19.4	19.7	19.3	19.4
23.16	75.6	8.62	18.5	18.6	18.6	18.5	18.6	149.0	12.89	19.5	19.1	19.3	19.0	19.1
25.42	68.8	7.93	18.1	18.2	18.2	18.1	18.1	135.7	12.08	19.3	18.9	19.1	18.9	18.9
27.99	62.5	7.20	17.2	17.3	17.3	17.3	17.3	123.2	11.29	18.6	18.4	18.5	18.3	18.3
30.38	57.6	6.42	16.6	16.7	16.7	16.7	16.7	113.6	10.66	18.2	18.0	18.1	17.9	18.0
32.78	53.4	6.15	15.0	14.9	15.0	14.9	14.9	105.2	8.90	14.6	13.0	13.7	13.6	13.1
39.39	44.4	5.12	14.2	14.1	14.2	14.2	14.1	87.6	7.83	14.3	13.2	13.8	13.7	13.3
46.37	37.7	4.35	13.5	13.5	13.6	13.6	13.5	74.4	6.98	14.0	13.3	13.7	13.6	13.4
51.96	33.7	3.88	13.2	13.3	13.3	13.3	13.2	66.4	6.45	13.9	13.4	13.7	13.6	13.5
58.23	30.1	3.46	12.8	12.8	12.9	12.8	12.8	59.2	5.95	13.6	13.2	13.5	13.3	13.2
63.57	27.5	3.17	12.3	12.4	12.4	12.4	12.4	54.3	5.60	13.2	13.0	13.1	13.0	13.0
69.78	25.1	2.89	12.1	12.1	12.1	12.1	12.1	49.4	5.25	13.0	12.8	13.0	12.9	12.8
76.84	22.8	2.62	11.6	11.6	11.6	11.6	11.6	44.9	4.90	12.6	12.4	12.5	12.5	12.4
83.40	21.0	2.42	11.2	11.3	11.3	11.3	11.3	41.4	4.63	12.3	12.1	12.2	12.2	12.1
90.89	19.3	2.22	10.8	10.9	10.9	10.9	10.9	38.0	4.36	11.9	11.8	11.9	11.8	11.8
99.55	17.6	2.03	10.4	10.5	10.5	10.5	10.5	34.7	3.99	11.5	11.4	11.5	11.5	11.4
109.64	16.0	1.84	10.0	10.1	10.1	10.1	10.1	31.5	3.62	11.1	11.1	11.1	11.1	11.1
126.09	13.9	1.60	9.5	9.6	9.6	9.6	9.6	27.4	3.15	10.7	10.6	10.7	10.6	10.6
136.60	12.8	1.48	9.1	9.2	9.2	9.1	9.1	25.3	2.91	10.3	10.2	10.2	10.2	10.2
150.98	11.6	1.34	8.7	8.7	8.7	8.7	8.7	22.9	2.63	9.8	9.8	9.8	9.8	9.8
176.14	9.9	1.14	8.3	8.3	8.3	8.3	8.3	19.6	2.26	9.4	9.4	9.4	9.4	9.4
196.07	8.9	1.03	7.8	7.9	7.9	7.9	7.9	17.6	2.03	9.0	8.9	9.0	9.0	8.9
215.68	8.1	0.93	7.5	7.5	7.5	7.5	7.5	16.0	1.84	8.6	8.6	8.6	8.6	8.6
243.72	7.2	0.83	7.0	7.0	7.0	7.0	7.0	14.2	1.63	8.1	8.1	8.1	8.1	8.1

RHB Thermal Factors	
Ambient Temp (Deg. F)	Thermal Factor
0	1.83
20	1.59
40	1.27
60	1.11
68	1.00
80	0.87
100	0.65
120	0.43

Rated power as shown on the table above is for the largest available motor frame for a unit size and ratio. When using the factors in the table, compare result with the actual ratio and motor frame used.

Example: RHB 68, 69.78:1, 1750 RPM input speed, 180TC motor frame at 20 degree F ambient, A2 mounting position:

According to the table above, this unit is capable of 12.1 HP Thermally at 68 degree F. To convert this to the capability at 20 degrees F, multiply the rating by the factor in the Thermal Factors table (1.59). Actual Thermal Rating is 12.1*1.59 = 19.2 HP. The mechanical rating for the RHB 68, 69.78, 180TC frame is 2.89 HP. This unit is not thermally limited.

NOMENCLATURE PAGE RHB-5	MOUNTING POSITIONS PAGE RHB-11	SELECTION GEARMOTOR PAGE RHB-63	WEIGHTS PAGE RHB-372
----------------------------	-----------------------------------	------------------------------------	-------------------------

THERMAL RATINGS - RHB 88

The Thermal HP ratings shown in the table below are based on an ambient temperature of 68- F, continuous operation and fan cooled motors as well as with the standard ISO220 factory filled lubricant. For ratings at other ambient temperatures, please consult Thermal Factors table below.

If using with different lubricants, please contact Application Engineering. Shaded areas indicate that the unit is thermally limited.

Ratio	1750 RPM							3450 RPM						
	Output Speed	Rated Power	Mounting Position					Output Speed	Rated Power	Mounting Position				
			A1	A2	A3	A4	A5 A6			A1	A2	A3	A4	A5 A6
	RPM	HP	HP	HP	HP	HP	HP	RPM	HP	HP	HP	HP	HP	HP
5.54	315.7	26.94	50.3	49.0	48.1	47.4	48.0	622.4	42.96	34.8	25.0	21.9	21.3	20.0
6.69	261.7	25.39	49.2	48.2	47.8	47.3	47.6	515.9	37.92	38.7	31.9	30.4	29.9	29.0
8.03	218.1	23.75	49.6	49.2	48.9	48.5	48.7	429.9	33.57	42.7	39.1	38.1	37.2	37.3
9.41	186.0	22.21	47.6	47.3	47.0	46.8	47.0	366.7	30.16	43.1	40.5	39.9	39.3	39.3
11.64	150.3	26.93	38.4	37.4	37.7	37.3	37.3	296.4	35.95	29.5	21.8	23.9	23.9	21.7
14.04	124.6	24.90	37.4	36.7	36.9	36.6	36.7	245.7	31.53	31.4	26.1	27.7	27.6	26.2
16.85	103.8	21.91	37.5	37.2	37.3	37.0	37.1	204.7	27.75	33.6	30.7	31.8	31.4	30.7
19.75	88.6	19.60	36.0	35.7	35.9	35.7	35.7	174.6	24.83	33.5	31.4	32.3	31.9	31.5
23.54	74.3	17.23	34.1	33.9	34.0	33.8	33.9	146.5	21.96	32.8	31.5	32.1	31.7	31.5
25.53	68.5	15.89	33.7	33.5	33.6	33.5	33.5	135.1	20.75	32.8	31.8	32.3	32.0	31.9
28.50	61.4	14.24	32.5	32.3	32.4	32.3	32.3	121.1	19.21	32.1	31.4	31.8	31.5	31.4
30.87	56.7	13.14	31.5	31.4	31.5	31.4	31.4	111.8	18.16	31.6	30.9	31.2	31.0	31.0
34.40	50.9	11.80	25.6	24.9	25.3	25.2	25.0	100.3	18.13	21.3	16.0	18.5	18.8	16.8
41.50	42.2	9.78	24.7	24.2	24.6	24.4	25.4	83.1	15.90	21.8	18.3	20.0	20.2	18.7
49.80	35.1	8.15	24.5	24.2	24.4	24.4	24.3	69.3	13.99	22.7	20.7	21.9	21.8	21.0
58.37	30.0	6.95	23.5	24.3	23.5	24.4	24.3	59.1	12.52	22.4	20.9	21.8	21.7	21.2
69.57	25.2	5.83	22.3	22.2	22.3	22.2	22.2	49.6	11.08	21.8	20.8	21.4	21.3	21.0
75.45	23.2	5.38	22.0	21.9	22.0	21.9	21.9	45.7	10.46	21.7	20.9	21.4	21.3	21.1
84.21	20.8	4.82	21.3	21.2	21.2	21.2	21.2	41.0	9.49	21.2	20.7	21.1	21.0	20.8
91.22	19.2	4.45	20.7	20.6	20.7	20.6	20.7	37.8	8.76	20.8	20.3	20.6	20.6	20.4
103.38	16.9	3.92	19.9	19.8	19.9	19.8	19.8	33.4	7.73	20.2	19.9	20.1	20.0	19.9
111.37	15.7	3.64	19.2	19.2	19.2	19.2	19.1	31.0	7.18	19.6	19.3	19.5	19.5	19.4
120.42	14.5	3.37	18.6	18.5	18.6	18.5	18.5	28.6	6.64	19.1	18.8	19.0	19.0	18.9
130.77	13.4	3.10	18.0	17.9	17.9	17.9	17.9	26.4	6.11	18.6	18.4	18.5	18.5	18.4
144.58	12.1	2.81	17.2	17.2	17.2	17.2	17.2	23.9	5.53	17.9	17.7	17.9	17.8	17.7
156.63	11.2	2.59	16.7	16.6	16.6	16.6	16.6	22.0	5.10	17.4	17.3	17.4	17.4	17.3
176.50	9.9	2.30	16.0	16.0	16.0	16.0	16.0	19.5	4.53	16.9	16.8	16.8	16.8	16.8
193.24	9.1	2.10	15.2	15.2	15.2	15.2	15.2	17.9	3.23	16.1	16.0	16.0	16.0	16.0
215.25	8.1	1.88	14.3	14.3	14.3	14.3	14.3	16.0	3.71	15.2	15.2	15.2	15.2	15.2
246.13	7.1	1.65	13.9	13.9	13.9	13.9	13.9	14.0	3.25	14.9	14.8	14.8	14.9	14.8
272.95	6.4	1.49	13.5	13.5	13.5	13.5	13.5	12.6	2.93	14.6	14.5	14.4	14.6	14.5
302.68	5.8	1.34	13.1	13.1	13.1	13.1	13.1	11.4	2.64	14.2	14.2	14.0	14.2	14.2

RHB Thermal Factors	
Ambient Temp (Deg. F)	Thermal Factor
0	1.83
20	1.59
40	1.27
60	1.11
68	1.00
80	0.87
100	0.65
120	0.43

Rated power as shown on the table above is for the largest available motor frame for a unit size and ratio. When using the factors in the table, compare result with the actual ratio and motor frame used.

Example: RHB 88, 8.03:1, 3450 RPM input speed, 180TC motor frame at 60 degree F ambient, A3 mounting position:

According to the table above, this unit is capable of 38.1 HP Thermally at 68 degree F. To convert this to the capability at 60 degrees F, multiply the rating by the factor in the Thermal Factors table (1.11). Actual Thermal Rating is 38.1*1.11 = 42.3 HP. The mechanical rating for the RHB 88, 8.03, 180TC frame is 20.42 HP. This unit is not thermally limited.

NOMENCLATURE PAGE RHB-5	MOUNTING POSITIONS PAGE RHB-11	SELECTION GEARMOTOR PAGE RHB-63	WEIGHTS PAGE RHB-372
----------------------------	-----------------------------------	------------------------------------	-------------------------

THERMAL RATINGS



QUANTIS

QUANTIS GOLD

ILH

RHB

MSM

THERMAL RATINGS - RHB 108

The Thermal HP ratings shown in the table below are based on an ambient temperature of 68- F, continuous operation and fan cooled motors as well as with the standard ISO220 factory filled lubricant. For ratings at other ambient temperatures, please consult Thermal Factors table below.

If using with different lubricants, please contact Application Engineering. Shaded areas indicate that the unit is thermally limited.

Ratio	1750 RPM							3450 RPM						
	Output Speed	Rated Power	Mounting Position					Output Speed	Rated Power	Mounting Position				
			A1	A2	A3	A4	A5 A6			A1	A2	A3	A4	A5 A6
RPM	HP	HP	HP	HP	HP	HP	RPM	HP	HP	HP	HP	HP	HP	
7.68	228.0	45.36	75.7	71.3	72.0	70.7	70.7	449.4	81.12	43.0	17.6	23.2	19.3	15.5
9.36	186.9	37.72	73.9	72.2	72.7	71.5	71.9	368.5	69.65	53.6	40.2	45.2	40.6	39.3
10.97	159.5	32.56	71.3	70.1	70.5	69.7	69.9	314.5	60.13	57.7	48.5	52.2	49.3	48.1
12.90	135.7	28.01	71.1	70.5	70.7	70.1	70.3	267.5	51.74	62.7	57.4	59.8	57.4	57.1
13.74	127.4	42.72	60.3	57.2	58.7	57.6	57.2	251.1	70.38	36.7	16.1	24.3	21.6	17.3
16.75	104.4	37.17	58.7	57.1	58.1	57.2	57.2	205.9	61.24	43.5	33.0	39.4	36.0	34.2
19.63	89.1	33.74	56.4	55.4	56.1	55.5	55.5	175.7	54.82	46.5	39.0	43.7	41.4	40.0
23.08	75.8	29.56	56.2	55.6	56.0	55.5	55.6	149.5	48.93	50.0	45.6	48.7	46.9	46.2
26.48	66.1	26.02	53.7	53.3	53.6	53.2	53.3	130.3	44.46	49.9	46.7	49.0	47.6	47.2
31.25	56.0	22.31	50.5	50.3	50.5	50.2	50.3	110.4	39.58	48.8	46.6	48.3	47.4	47.0
33.87	51.7	20.70	49.7	49.4	49.6	49.4	49.4	101.8	37.41	48.6	47.0	48.3	47.6	47.3
36.44	48.0	19.24	40.7	38.8	39.8	39.7	39.0	94.7	31.72	30.5	16.9	22.6	24.8	18.8
44.44	39.4	16.60	39.5	38.5	39.2	38.9	38.7	77.6	27.61	32.3	25.6	29.9	30.0	27.0
52.08	33.6	14.17	38.1	37.4	37.9	37.7	37.5	66.2	24.71	33.1	28.2	31.5	31.4	29.4
61.22	28.6	12.05	37.8	37.4	37.8	37.6	37.4	56.4	22.06	34.5	31.6	33.8	33.5	32.3
70.24	24.9	10.50	36.3	36.1	36.3	36.2	36.1	49.1	20.04	34.1	32.0	33.7	33.4	32.5
82.90	21.1	8.90	34.5	34.3	34.5	34.4	34.4	41.6	17.53	33.3	31.9	33.0	32.8	32.2
89.85	19.5	8.21	34.0	33.8	34.0	33.9	33.8	38.4	16.18	33.2	32.1	33.0	32.8	32.4
99.90	17.5	7.38	32.9	32.8	32.9	32.8	32.8	34.5	14.55	32.5	31.7	32.4	32.2	31.8
108.52	16.1	6.80	31.8	31.7	31.8	31.7	31.7	31.8	13.39	31.7	31.0	31.6	31.5	31.2
120.03	14.6	6.15	30.9	30.8	30.9	30.9	30.8	28.7	12.11	31.2	30.6	31.0	31.0	30.7
128.86	13.6	5.72	29.9	29.8	29.9	29.9	29.8	26.8	11.28	30.3	29.9	30.2	30.2	29.9
138.87	12.6	5.31	29.0	28.9	29.0	28.9	28.9	24.8	9.67	29.6	29.2	29.5	29.4	29.2
150.31	11.6	4.91	28.0	28.0	28.0	28.0	28.0	23.0	8.89	28.8	28.4	28.7	28.7	28.5
163.51	10.7	4.51	27.1	27.0	27.0	27.0	27.0	21.1	8.12	28.0	27.7	27.9	27.8	27.7
178.90	9.8	4.12	26.0	25.9	26.0	25.9	25.9	19.3	8.12	27.0	26.8	26.9	26.9	26.8
201.11	8.7	3.67	24.8	24.8	24.8	24.8	24.8	17.2	7.23	26.0	25.8	25.9	25.9	25.8
219.64	8.0	3.36	23.7	23.6	23.6	23.6	23.6	15.7	6.62	24.9	24.8	24.9	24.9	24.8
243.47	7.2	3.03	22.4	22.4	22.4	22.4	22.4	14.2	5.97	23.7	23.6	23.7	23.7	23.6
278.10	6.3	2.65	20.5	20.6	20.5	20.5	20.6	12.4	5.23	22.0	21.9	21.9	22.0	21.9
307.24	5.7	2.40	19.0	19.0	18.9	19.0	19.1	11.2	4.73	20.5	20.5	20.5	20.5	20.4

RHB Thermal Factors	
Ambient Temp (Deg. F)	Thermal Factor
0	1.83
20	1.59
40	1.27
60	1.11
68	1.00
80	0.87
100	0.65
120	0.43

Rated power as shown on the table above is for the largest available motor frame for a unit size and ratio. When using the factors in the table, compare result with the actual ratio and motor frame used.

Example: RHB 108, 23.08:1, 3450 RPM input speed, 210TC motor frame at 80 degree F ambient, A1 mounting position:

According to the table above, this unit is capable of 50.0 HP Thermally at 68 degree F. To convert this to the capability at 80 degrees F, multiply the rating by the factor in the Thermal Factors table (0.87). Actual Thermal Rating is $50.0 \times 0.87 = 43.5$ HP. The mechanical rating for the RHB 108, 23.08, 210TC frame is 48.93 HP. This unit is now thermally limited to 43.5 HP.

NOMENCLATURE PAGE RHB-5	MOUNTING POSITIONS PAGE RHB-11	SELECTION GEARMOTOR PAGE RHB-63	WEIGHTS PAGE RHB-372
----------------------------	-----------------------------------	------------------------------------	-------------------------

THERMAL RATINGS - RHB 128

The Thermal HP ratings shown in the table below are based on an ambient temperature of 68- F, continuous operation and fan cooled motors as well as with the standard ISO220 factory filled lubricant. For ratings at other ambient temperatures, please consult Thermal Factors table below.

If using with different lubricants, please contact Application Engineering. Shaded areas indicate that the unit is thermally limited.

Ratio	1750 RPM								3450 RPM						
	Output Speed	Rated Power	Mounting Position					Output Speed	Rated Power	Mounting Position					
			A1	A2	A3	A4	A5 A6			A1	A2	A3	A4	A5 A6	
	RPM	HP	HP	HP	HP	HP	HP	RPM	HP	HP	HP	HP	HP		
7.10	246.4	92.65	104.3	97.1	93.8	94.8	90.5	485.8	140.63	53.0	0.0	0.0	0.0	0.0	
8.26	211.8	85.54	103.9	98.0	98.2	98.0	96.8	417.6	127.06	61.5	20.8	23.8	29.0	14.1	
9.16	191.1	78.21	103.6	99.7	99.7	99.2	98.5	376.7	118.56	69.7	37.8	41.4	44.7	32.7	
10.88	160.8	67.60	100.3	98.2	98.4	97.7	97.6	317.0	105.49	76.7	59.8	64.0	63.6	57.5	
12.56	139.3	59.21	96.3	94.8	94.9	94.4	94.4	274.7	95.70	80.1	68.8	72.7	71.0	66.4	
13.00	134.6	75.26	92.6	84.0	87.0	87.5	84.3	265.4	125.35	50.9	0.0	12.7	22.8	0.0	
15.13	115.7	67.69	91.0	85.9	88.0	87.8	86.2	228.1	112.74	57.9	21.3	34.4	40.3	24.5	
16.76	104.4	62.99	90.1	86.4	88.1	87.8	86.7	205.8	104.92	63.7	35.7	47.0	50.8	38.6	
19.92	87.8	55.82	86.6	84.8	86.0	85.4	85.0	173.2	92.98	68.3	53.2	62.1	62.2	55.8	
22.99	76.1	49.11	82.9	81.5	82.4	81.9	81.7	150.1	84.10	69.9	59.2	65.9	65.9	61.4	
27.02	64.8	42.16	81.6	80.8	81.3	81.0	80.9	127.7	75.14	73.6	67.3	71.6	71.1	68.6	
30.61	57.2	37.54	77.7	77.1	77.4	77.2	77.1	112.7	68.84	72.5	67.8	71.0	70.7	68.7	
35.92	48.7	32.17	72.4	72.1	72.3	72.1	72.0	96.0	59.69	69.9	66.7	68.9	68.7	67.3	
39.19	44.7	29.47	70.5	70.2	70.4	70.2	70.2	88.0	54.34	69.3	66.8	68.3	68.3	67.2	
41.38	42.3	27.93	53.6	48.9	51.2	51.7	49.6	83.4	48.18	33.3	4.6	14.3	22.0	8.0	
48.14	36.3	24.01	52.7	49.7	51.3	51.5	50.2	71.7	43.43	36.0	15.1	24.9	29.5	19.0	
53.36	32.8	21.66	52.2	50.0	51.2	51.3	50.4	64.7	40.33	38.6	22.6	30.9	33.9	25.9	
63.41	27.6	18.23	50.5	49.3	50.2	50.0	49.6	54.4	35.11	40.5	31.7	38.2	38.8	34.4	
73.18	23.9	15.79	48.7	47.9	48.5	48.4	48.1	47.1	30.75	41.3	35.0	39.7	40.2	36.9	
85.98	20.4	13.44	48.1	47.6	47.9	47.8	47.7	40.1	26.48	43.1	39.3	42.4	42.5	40.5	
97.44	18.0	11.86	46.2	45.8	46.1	46.1	45.9	35.4	23.37	42.6	39.7	42.0	42.1	40.6	
114.34	15.3	10.11	43.8	43.5	43.7	43.6	43.5	30.2	19.92	41.5	39.4	41.0	41.1	40.1	
124.73	14.0	9.27	42.9	42.6	42.8	42.7	42.6	27.7	18.26	41.2	39.6	40.8	40.9	40.0	
136.06	12.9	8.49	41.6	41.4	41.6	41.5	41.5	25.4	16.74	40.5	39.1	40.1	40.3	39.5	
146.84	11.9	7.87	40.4	40.3	40.4	40.3	40.3	23.5	15.51	39.6	38.4	39.3	39.4	38.8	
164.11	10.7	7.04	39.0	38.9	39.0	38.9	38.9	21.0	13.88	38.6	37.6	38.2	38.4	37.8	
175.80	10.0	6.57	37.6	37.5	37.6	37.5	37.5	19.6	12.95	37.5	36.7	37.2	37.4	36.9	
189.04	9.3	6.11	36.3	36.3	36.3	36.3	36.3	18.2	12.05	36.5	35.8	36.2	36.4	35.9	
204.18	8.6	5.66	35.1	35.0	35.1	35.1	35.0	16.9	11.15	35.5	34.9	35.2	35.4	35.0	
221.64	7.9	5.21	33.9	33.8	33.9	33.8	33.8	15.6	10.27	34.5	33.9	34.2	34.4	34.0	
242.02	7.2	4.78	33.1	33.1	33.1	33.1	33.1	14.3	9.41	33.9	33.4	33.6	33.8	33.4	
270.90	6.5	4.27	31.5	31.5	31.5	31.5	31.5	12.7	8.41	32.6	32.2	32.4	32.5	32.2	
295.38	5.9	3.91	30.8	30.8	30.8	30.8	30.7	11.7	7.71	32.0	31.6	31.7	31.9	31.7	

RHB Thermal Factors	
Ambient Temp (Deg. F)	Thermal Factor
0	1.83
20	1.59
40	1.27
60	1.11
68	1.00
80	0.87
100	0.65
120	0.43

Rated power as shown on the table above is for the largest available motor frame for a unit size and ratio. When using the factors in the table, compare result with the actual ratio and motor frame used. A thermal rating of 0.0 indicates that this ratio and input RPM are not recommended.

Example: RHB 128, 204.18:1, 1750 RPM input speed, 210TC motor frame at 40 degree F ambient, A5 mounting position:

According to the table above, this unit is capable of 35.0 HP Thermally at 68 degree F. To convert this to the capability at 40 degrees F, multiply the rating by the factor in the Thermal Factors table (1.27). Actual Thermal Rating is 35.0*1.27 = 44.5 HP. The mechanical rating for the RHB 128, 204.18, 210TC frame is 5.66 HP. This unit is not thermally limited.

NOMENCLATURE PAGE RHB-5	MOUNTING POSITIONS PAGE RHB-11	SELECTION GEARMOTOR PAGE RHB-63	WEIGHTS PAGE RHB-372
----------------------------	-----------------------------------	------------------------------------	-------------------------

THERMAL RATINGS



THERMAL RATINGS - RHB 148

The Thermal HP ratings shown in the table below are based on an ambient temperature of 68- F, continuous operation and fan cooled motors as well as with the standard ISO220 factory filled lubricant. For ratings at other ambient temperatures, please consult Thermal Factors table below.

If using with different lubricants, please contact Application Engineering. Shaded areas indicate that the unit is thermally limited.

Ratio	1750 RPM							3450 RPM						
	Output Speed	Rated Power	Mounting Position					Output Speed	Rated Power	Mounting Position				
			A1	A2	A3	A4	A5 A6			A1	A2	A3	A4	A5 A6
	RPM	HP	HP	HP	HP	HP	HP	RPM	HP	HP	HP	HP	HP	HP
4.83	362.3	136.15	152.7	95.5	90.0	90.0	85.8	714.2	253.56	0.0	0.0	0.0	0.0	0.0
6.43	272.3	126.51	164.1	135.8	133.6	135.1	123.9	536.7	209.62	52.5	0.0	0.0	0.0	0.0
7.44	235.1	116.71	169.5	161.6	157.7	156.1	151.2	463.6	189.91	85.6	0.0	0.0	13.0	0.0
8.79	199.2	105.76	166.7	157.0	157.8	156.0	154.9	392.6	169.74	106.9	51.5	58.2	58.6	37.5
9.77	179.1	136.16	119.4	74.5	81.2	88.8	72.5	353.1	244.22	0.0	0.0	0.0	0.0	0.0
13.00	134.6	126.53	120.4	99.8	106.9	109.8	100.2	265.4	207.73	51.6	0.0	0.0	0.0	0.0
15.05	116.2	116.70	122.5	113.4	117.4	116.8	113.9	229.2	189.91	70.5	13.4	32.7	40.1	16.3
17.77	98.5	103.53	117.6	112.2	115.0	114.2	112.7	194.1	169.74	81.6	40.4	59.5	63.0	45.0
19.84	88.2	93.52	115.4	111.4	113.6	112.6	111.7	173.9	157.48	89.2	58.4	74.0	75.7	62.4
23.19	75.5	81.03	110.8	108.7	110.3	109.3	108.9	148.8	141.61	94.4	76.6	89.1	87.8	80.2
26.58	65.8	71.44	106.0	104.4	105.7	105.0	104.6	129.8	128.96	96.4	83.7	93.0	91.8	86.5
30.74	56.9	62.48	100.3	99.2	100.0	99.5	99.4	112.2	114.77	96.1	87.3	94.0	93.1	89.4
31.10	56.3	63.25	67.6	44.1	52.0	58.3	46.7	110.9	116.84	20.5	0.0	0.0	0.0	0.0
41.38	42.3	47.54	71.7	60.5	66.4	68.1	62.7	83.4	91.66	38.5	0.0	5.7	18.3	0.0
47.91	36.5	41.06	72.3	67.0	70.2	70.4	68.0	72.0	80.10	46.9	12.6	29.8	36.6	19.2
56.57	30.9	34.78	69.8	66.3	68.6	68.6	67.1	61.0	68.52	51.6	27.2	42.0	45.7	33.2
63.16	27.7	31.15	68.6	66.0	67.8	67.6	66.6	54.6	61.37	55.2	36.9	48.7	51.1	41.6
73.80	23.7	26.66	66.2	64.8	66.0	65.8	65.2	46.7	52.52	57.6	46.9	56.0	56.1	50.6
84.61	20.7	23.25	63.9	62.8	63.7	63.5	63.1	40.8	45.81	58.5	50.7	57.4	57.5	53.5
97.82	17.9	20.11	60.9	60.3	60.9	60.7	60.4	35.3	39.62	58.4	52.9	57.8	57.8	55.0
101.53	17.2	19.37	62.1	61.4	62.0	61.9	61.6	34.0	38.17	60.5	55.9	60.0	59.9	57.5
112.35	15.6	17.51	59.9	59.5	59.9	59.7	59.6	30.7	34.50	59.7	56.1	59.4	59.2	57.3
131.49	13.3	14.96	56.5	56.3	56.5	56.4	56.3	26.2	29.48	57.8	55.4	57.5	57.5	56.2
142.41	12.3	13.81	55.4	55.1	55.3	55.3	55.1	24.2	27.22	57.3	55.3	57.1	57.0	56.0
158.93	11.0	12.38	53.1	52.8	53.0	52.9	52.9	21.7	24.39	55.7	54.2	55.4	55.4	54.6
168.50	10.4	11.67	51.1	50.9	51.1	51.0	51.0	20.5	23.00	54.1	52.9	53.9	53.9	53.2
191.02	9.2	10.30	49.2	49.0	49.2	49.1	49.0	18.1	20.29	52.5	51.6	52.3	52.4	51.8
204.38	8.6	9.63	47.9	47.7	47.8	47.8	47.8	16.9	18.96	51.4	50.5	51.2	51.3	50.7
214.96	8.1	9.15	46.6	46.4	46.5	46.5	46.5	16.0	18.03	50.3	49.5	50.0	50.2	49.6
231.95	7.5	8.48	44.9	44.8	44.9	44.9	44.9	14.9	16.71	48.8	48.0	48.5	48.6	48.2
251.55	7.0	7.81	43.3	43.2	43.2	43.2	43.2	13.7	15.41	47.3	46.6	47.0	47.1	46.8
274.42	6.4	7.17	41.4	41.3	41.3	41.3	41.3	12.6	14.12	45.5	45.0	45.3	45.3	45.1
306.08	5.7	6.43	38.8	38.8	38.7	38.7	38.6	11.3	12.66	43.1	42.7	42.9	42.8	42.8

RHB Thermal Factors	
Ambient Temp (Deg. F)	Thermal Factor
0	1.83
20	1.59
40	1.27
60	1.11
68	1.00
80	0.87
100	0.65
120	0.43

Rated power as shown on the table above is for the largest available motor frame for a unit size and ratio. When using the factors in the table, compare result with the actual ratio and motor frame used. A thermal rating of 0.0 indicates that this ratio and input RPM are not recommended.

Example: RHB 148, 13.00:1, 1750 RPM input speed, 320TC motor frame at 80 degree F ambient, A1 mounting position:

According to the table above, this unit is capable of 120.4 HP Thermally at 68 degree F. To convert this to the capability at 80 degrees F, multiply the rating by the factor in the Thermal Factors table (0.87). Actual Thermal Rating is $120.4 * 0.87 = 104.7$ HP. The mechanical rating for the RHB 148, 13.00, 320TC frame is 126.53 HP. This unit is now thermally limited to 104.7 HP.

NOMENCLATURE PAGE RHB-5	MOUNTING POSITIONS PAGE RHB-11	SELECTION GEARMOTOR PAGE RHB-63	WEIGHTS PAGE RHB-372
----------------------------	-----------------------------------	------------------------------------	-------------------------

THERMAL RATINGS - RHB 168

The Thermal HP ratings shown in the table below are based on an ambient temperature of 68- F, continuous operation and fan cooled motors as well as with the standard ISO220 factory filled lubricant. For ratings at other ambient temperatures, please consult Thermal Factors table below.

If using with different lubricants, please contact Application Engineering. Shaded areas indicate that the unit is thermally limited.

Ratio	1750 RPM							3450 RPM						
	Output Speed	Rated Power	Mounting Position					Output Speed	Rated Power	Mounting Position				
			A1	A2	A3	A4	A5 A6			A1	A2	A3	A4	A5 A6
	RPM	HP	HP	HP	HP	HP	HP	RPM	HP	HP	HP	HP	HP	HP
6.61	264.7	120.91	151.3	120.9	122.2	109.6	112.5	521.9	238.23	0.0	0.0	0.0	0.0	0.0
8.64	202.6	117.78	179.0	154.0	158.9	145.5	146.6	399.4	230.13	0.0	0.0	0.0	0.0	0.0
10.17	172.0	114.28	189.0	177.7	177.7	168.1	169.5	339.1	212.54	51.5	0.0	0.0	0.0	0.0
11.67	150.0	106.09	188.3	178.0	181.7	177.9	175.6	295.7	219.32	91.8	30.3	53.8	22.6	20.5
12.41	141.0	120.91	126.4	98.3	107.0	96.6	97.4	278.1	238.23	0.0	0.0	0.0	0.0	0.0
16.21	107.9	117.77	145.7	124.6	135.8	125.7	125.2	212.8	230.13	0.0	0.0	0.0	0.0	0.0
19.09	91.7	114.28	151.4	138.7	146.8	139.5	139.7	180.7	212.54	48.7	0.0	23.7	0.0	0.0
21.90	79.9	106.09	149.8	141.1	147.4	142.3	142.2	157.5	219.32	78.0	28.2	62.5	38.5	34.3
24.14	72.5	100.11	149.2	142.9	147.5	143.5	143.6	142.9	208.58	96.8	56.8	86.1	66.1	62.4
28.54	61.3	89.27	143.7	140.0	143.2	140.4	140.6	120.9	185.96	115.1	91.2	112.0	97.9	96.0
32.53	53.8	81.25	138.1	135.5	137.7	135.9	135.8	106.1	169.98	122.4	105.1	120.2	110.8	108.8
34.55	50.6	96.07	107.9	83.2	93.6	98.4	86.7	99.8	165.01	30.5	0.0	0.0	0.0	0.0
45.15	38.8	73.53	106.9	93.5	100.7	102.3	96.1	76.4	136.83	58.2	0.0	21.1	36.7	0.0
53.18	32.9	62.43	106.6	98.7	103.9	104.2	100.5	64.9	122.03	73.4	27.8	55.6	62.9	39.1
60.99	28.7	54.43	103.9	98.5	102.5	102.5	100.0	56.6	107.24	79.5	46.1	69.9	73.6	56.0
67.22	26.0	49.38	102.8	98.6	101.8	101.7	99.8	51.3	97.30	84.8	59.2	78.6	80.7	67.3
79.49	22.0	41.76	98.8	96.3	98.5	98.2	97.0	43.4	82.29	88.9	73.7	87.5	87.5	79.6
90.60	19.3	36.64	95.1	93.3	95.0	94.7	93.9	38.1	72.20	90.0	79.0	89.2	89.1	83.3
104.18	16.8	31.87	90.8	89.7	90.8	90.6	90.0	33.1	62.79	89.7	81.8	89.1	89.1	84.7
119.09	14.7	27.88	89.2	88.4	89.2	88.9	88.6	29.0	54.92	91.4	86.1	91.0	90.8	88.0
138.00	12.7	24.04	84.3	83.7	84.3	84.2	83.9	25.0	47.40	88.5	84.8	88.1	88.1	86.1
150.36	11.6	22.08	82.6	82.1	82.6	82.5	82.3	22.9	43.50	87.7	84.5	87.2	87.3	85.5
167.50	10.4	19.82	80.3	79.9	80.2	80.2	80.0	20.6	39.05	86.5	84.0	86.0	86.1	84.7
177.43	9.9	18.71	79.0	78.6	78.9	78.8	78.7	19.4	36.86	85.8	83.7	85.3	85.5	84.2
199.54	8.8	16.64	72.9	72.7	72.8	72.8	72.7	17.3	32.78	80.0	78.4	79.5	79.7	78.8
213.33	8.2	15.56	70.3	70.1	70.3	70.3	70.1	16.2	30.66	77.6	76.2	77.2	77.4	76.5
226.15	7.7	14.68	68.5	68.3	68.4	68.4	68.3	15.3	28.92	75.9	74.6	75.4	75.7	74.9
243.80	7.2	13.62	65.9	65.7	65.8	65.8	65.7	14.2	26.83	73.5	72.4	73.1	73.3	72.5
264.18	6.6	12.57	63.4	63.2	63.3	63.4	63.3	13.1	24.76	71.0	70.1	70.6	70.9	70.2
287.95	6.1	10.11	60.5	60.4	60.4	60.5	60.4	12.0	18.82	68.2	67.4	67.7	68.1	67.5

RHB Thermal Factors	
Ambient Temp (Deg. F)	Thermal Factor
0	1.83
20	1.59
40	1.27
60	1.11
68	1.00
80	0.87
100	0.65
120	0.43

Rated power as shown on the table above is for the largest available motor frame for a unit size and ratio. When using the factors in the table, compare result with the actual ratio and motor frame used. A thermal rating of 0.0 indicates that this ratio and input RPM are not recommended.

Example: RHB 168, 213.33:1, 3450 RPM input speed, 250TC motor frame at 120 degree F ambient, A2 mounting position:

According to the table above, this unit is capable of 76.2 HP Thermally at 68 degree F. To convert this to the capability at 120 degrees F, multiply the rating by the factor in the Thermal Factors table (0.43). Actual Thermal Rating is 76.2*0.43 = 32.8 HP. The mechanical rating for the RHB 168, 213.33, 250TC frame is 30.66 HP. This unit is not thermally limited.

NOMENCLATURE PAGE RHB-5	MOUNTING POSITIONS PAGE RHB-11	SELECTION GEARMOTOR PAGE RHB-63	WEIGHTS PAGE RHB-372
----------------------------	-----------------------------------	------------------------------------	-------------------------

WEIGHTS - RHB 38

Unit Size	Input Configuration	Catalog Number		Output Configuration					
				Foot Mounted		Flange Mounted			
				Weight (lbs) (L)	Weight (Kg) (L)	B14		B5	
Weight (lbs) (L)	Weight (Kg) (L)	Weight (lbs) (L)	Weight (Kg) (L)						
38	Clamp Collar	B_383CN56C	B_383CI71D	38	17	38	17	42	19
		--	B_383CI80D	42	19	42	19	46	21
		B_383CN140TC	B_383CI90D	42	19	41	19	45	20
		B_383CN180TC	B_383CI100D	46	21	46	21	50	23
	3 Pc Coupled	B_383LN56C	--	46	21	46	21	50	23
		--	B_383LI80D	58	26	58	26	62	28
		B_383LN140TC	B_383LI90D	58	26	58	26	62	28
		--	B_383LI100D	69	31	69	31	73	33
	Separate Group (Inch / Metric)	B_383SI71	B_383SM71	41	19	41	19	45	20
		B_383SI80	B_383SM80	48	22	48	22	52	24
		B_383SI90	B_383SM90	49	22	49	22	53	24
		B_383SI100	B_383SM100	58	26	58	26	62	28
	Integral Gearmotor (HP)	B_383GH71C4	--	45	20	45	20	49	22
		B_383GH71D4		45	20	45	20	49	22
		B_383GH71E4		49	22	49	22	53	24
		B_383GH80F4		49	22	49	22	53	24
		B_383GH80G4		53	24	53	24	57	26
		B_383GH90H4		57	26	57	26	61	28
		B_383GH90I4		63	29	63	29	67	30
	B_383GH100J4	69	31	69	31	73	33		

* Weights are Approximate
(L) - See Footnotes page on the inside back cover

NOMENCLATURE PAGE RHB-5	SELECTION GEARMOTOR PAGE RHB-63	DIMENSIONS PAGE RHB-90	THERMAL RATINGS PAGE RHB-364
----------------------------	------------------------------------	---------------------------	---------------------------------

WEIGHTS - RHB 48

Unit Size	Input Configuration	Catalog Number		Output Configuration					
				Foot Mounted		Flange Mounted			
		NEMA	IEC	Weight (lbs) (L)	Weight (Kg) (L)	B14		B5	
				Weight (lbs) (L)	Weight (Kg) (L)	Weight (lbs) (L)	Weight (Kg) (L)	Weight (lbs) (L)	Weight (Kg) (L)
48	Clamp Collar	B_483CN56C	B_483CI71D	47	21	46	21	52	24
		--	B_483CI80D	51	23	51	23	57	26
		B_483CN140TC	B_483CI90D	51	23	51	23	57	26
		B_483CN180TC	B_483CI100D	55	25	55	25	61	28
	3 Pc Coupled	B_483LN56C	--	55	25	55	25	61	28
		--	B_483LI80D	67	30	67	30	73	33
		B_483LN140TC	B_483LI90D	67	30	67	30	73	33
		--	B_483LI100D	78	35	78	35	84	38
	Separate Group (Inch / Metric)	B_483SI71	B_483SM71	50	23	50	23	56	25
		B_483SI80	B_483SM80	58	26	57	26	63	29
		B_483SI90	B_483SM90	58	26	57	26	63	29
		B_483SI100	B_483SM100	67	30	66	30	72	33
	Integral Gearmotor (HP)	B_483GH71C4	--	55	25	54	24	60	27
		B_483GH71D4		55	25	54	24	60	27
		B_483GH71E4		59	27	58	26	64	29
		B_483GH80F4		59	27	58	26	64	29
		B_483GH80G4		62	28	62	28	68	31
		B_483GH90H4		67	30	66	30	72	33
		B_483GH90I4		72	33	71	32	77	35
	B_483GH100J4	79	36	78	35	84	38		

* Weights are Approximate
(L) - See Footnotes page on the inside back cover

WEIGHTS



WEIGHTS - RHB 68

Unit Size	Input Configuration	Catalog Number		Output Configuration					
				Foot Mounted		Flange Mounted			
				Weight (lbs) (L)	Weight (Kg) (L)	B14		B5	
Weight (lbs) (L)	Weight (Kg) (L)	Weight (lbs) (L)	Weight (Kg) (L)						
68	Clamp Collar	B_683CN56C	B_683CI71D	86	39	87	39	97	44
		--	B_683CI80D	90	41	90	41	100	45
		B_683CN140TC	B_683CI90D	90	41	91	41	101	46
		B_683CN180TC	B_683CI100D	94	43	94	43	104	47
		--	B_683CI112D	97	44	97	44	107	49
	3 Pc Coupled	B_683LN56C	--	94	43	95	43	105	48
		--	B_683LI80D	107	49	107	49	117	53
		B_683LN140TC	B_683LI90D	107	49	107	49	117	53
		B_683LN180TC	B_683LI100D	117	53	117	53	127	58
		--	B_683LI112D	120	54	120	54	130	59
	Separate Group (Inch / Metric)	B_683SI71	B_683SM71	89	40	90	41	100	45
		B_683SI80	B_683SM80	97	44	97	44	107	49
		B_683SI90	B_683SM90	97	44	98	44	108	49
		B_683SI100	B_683SM100	106	48	107	49	117	53
		B_683SI112	B_683SM112	108	49	109	49	119	54
	Integral Gearmotor (HP)	B_683GH71C4	--	94	43	94	43	104	47
		B_683GH71D4		94	43	94	43	104	47
		B_683GH71E4		98	44	98	44	108	49
		B_683GH80F4		98	44	98	44	108	49
		B_683GH80G4		101	46	102	46	112	51
		B_683GH90H4		106	48	106	48	116	53
		B_683GH90I4		111	50	112	51	122	55
		B_683GH100J4		118	54	118	54	128	58
		B_683GH112L4		139	63	140	63	150	68

* Weights are Approximate

(L) - See Footnotes page on the inside back cover

NOMENCLATURE PAGE RHB-5	SELECTION GEARMOTOR PAGE RHB-63	DIMENSIONS PAGE RHB-154	THERMAL RATINGS PAGE RHB-364
----------------------------	------------------------------------	----------------------------	---------------------------------

WEIGHTS - RHB 88

Unit Size	Input Configuration	Catalog Number		Output Configuration					
				Foot Mounted		Flange Mounted			
				Weight (lbs) (L)	Weight (Kg) (L)	B14		B5	
Weight (lbs) (L)	Weight (Kg) (L)	Weight (lbs) (L)	Weight (Kg) (L)						
88	Clamp Collar - NEMA	B 883CN56C	B 883CI71D	141	64	140	63	155	70
		--	B 883CI80D	145	66	145	66	160	73
		B 883CN140TC	B 883CI90D	145	66	145	66	160	73
		B 883CN180TC	B 883CI100D	149	68	149	68	164	74
		--	B 883CI112D	152	69	152	69	167	76
		B 883CN210TC	B 883CI132D	169	77	168	76	183	83
	3 Pc Coupled	B 883LN56C	--	149	68	148	67	163	74
		B 883LI80D		161	73	161	73	176	80
		B 883LN140TC	B 883LI90D	161	73	161	73	176	80
		B 883LN180TC	B 883LI100D	172	78	172	78	187	85
		--	B 883LI112D	176	80	176	80	191	87
		B 883LN210TC	B 883LI132D	198	90	198	90	213	97
	Separate Group (Inch / Metric)	B 883SI71	B 883SM71	144	65	144	65	159	72
		B 883SI80	B 883SM80	152	69	152	69	167	76
		B 883SI90	B 883SM90	152	69	152	69	167	76
		B 883SI100	B 883SM100	161	73	161	73	176	80
		B 883SI112	B 883SM112	164	74	164	74	179	81
		B 883SI132	B 883SM132	189	86	189	86	204	93
	Integral Gearmotor (HP)	B 883GH71C4	--	148	67	148	67	163	74
		B 883GH71D4		148	67	148	67	163	74
		B 883GH71E4		152	69	152	69	167	76
		B 883GH80F4		152	69	152	69	167	76
		B 883GH80G4		156	71	155	70	170	77
		B 883GH90H4		160	73	160	73	175	79
		B 883GH90I4		166	75	165	75	180	82
		B 883GH100J4		173	78	172	78	187	85
		B 883GH112L4		195	88	194	88	209	95
		B 883GH132M4		264	120	263	119	278	126
	B 883GH132N4	295	134	294	133	309	140		

* Weights are Approximate

(L) - See Footnotes page on the inside back cover

NOMENCLATURE PAGE RHB-5	SELECTION GEARMOTOR PAGE RHB-63	DIMENSIONS PAGE RHB-186	THERMAL RATINGS PAGE RHB-364
----------------------------	------------------------------------	----------------------------	---------------------------------

WEIGHTS - RHB 108

Unit Size	Input Configuration	Catalog Number		Output Configuration					
				Foot Mounted		Flange Mounted			
				Weight (lbs) (L)	Weight (Kg) (L)	B14		B5	
Weight (lbs) (L)	Weight (Kg) (L)	Weight (lbs) (L)	Weight (Kg) (L)						
108	Clamp Collar	--	B_1083C180D	255	116	262	119	284	129
		B_1083CN140TC	B_1083C190D	255	116	262	119	284	129
		B_1083CN180TC	B_1083C1100D	257	117	264	120	286	130
		--	B_1083C112D	261	118	268	122	290	132
		B_1083CN210TC	B_1083C132D	275	125	281	127	303	137
		B_1083CN250TC	B_1083C1160D	296	134	303	137	325	147
	3 Pc Coupled	--	B_1083L180D	272	123	278	126	300	136
		B_1083LN140TC	B_1083L190D	272	123	278	126	300	136
		B_1083LN180TC	B_1083L1100D	280	127	287	130	309	140
		--	B_1083L112D	285	129	292	132	314	142
		B_1083LN210TC	B_1083L132D	303	137	310	141	332	151
		B_1083LN250TC	B_1083L1160D	350	159	357	162	379	172
	Separate Group (Inch / Metric)	B_1083SI80	B_1083SM80	262	119	269	122	291	132
		B_1083SI90	B_1083SM90	262	119	269	122	291	132
		B_1083SI100	B_1083SM100	269	122	275	125	297	135
		B_1083SI112	B_1083SM112	273	124	280	127	302	137
		B_1083SI132	B_1083SM132	294	133	301	137	323	146
		B_1083SI160	B_1083SM160	317	144	323	146	345	156
	Integral Gearmotor (HP)	B_1083GH80G4	--	266	121	273	124	295	134
		B_1083GH90H4		271	123	277	126	299	136
		B_1083GH90I4		276	125	283	128	305	138
		B_1083GH100J4		281	127	287	130	309	140
		B_1083GH112L4		304	138	311	141	333	151
		B_1083GH132M4		370	168	342	155	364	165
		B_1083GH132N4		401	182	408	185	430	195

* Weights are Approximate

(L) - See Footnotes page on the inside back cover

NOMENCLATURE PAGE RHB-5	SELECTION GEARMOTOR PAGE RHB-63	DIMENSIONS PAGE RHB-218	THERMAL RATINGS PAGE RHB-364
----------------------------	------------------------------------	----------------------------	---------------------------------

WEIGHTS - RHB 128

Unit Size	Input Configuration	Catalog Number		Output Configuration					
				Foot Mounted		Flange Mounted			
				Weight (lbs) (L)	Weight (Kg) (L)	B14		B5	
Weight (lbs) (L)	Weight (Kg) (L)	Weight (lbs) (L)	Weight (Kg) (L)						
		NEMA	IEC						
128	Clamp Collar	B_1283CN140TC	B_1283CI90D	399	181	417	189	455	206
		B_1283CN180TC	B_1283CI100D	401	182	419	190	457	207
		--	B_1283CI112D	404	183	422	191	460	209
		B_1283CN210TC	B_1283CI132D	416	189	433	196	471	214
		B_1283CN250TC	B_1283CI160D	437	198	455	206	493	224
		B_1283CN280TC	B_1283CI180D	450	204	468	212	506	229
		--	B_1283CI200D	459	208	477	216	515	234
	3 Pc Coupled	B_1283LN140TC	B_1283LI90D	415	188	433	196	471	214
		B_1283LN180TC	B_1283LI100D	424	192	442	200	480	218
		--	B_1283LI112D	428	194	445	202	483	219
		B_1283LN210TC	B_1283LI132D	444	201	462	210	500	227
		B_1283LN250TC	B_1283LI160D	491	223	508	230	546	248
		B_1283LN280TC	B_1283LI180D	540	245	558	253	596	270
		--	B_1283LI200D	553	251	571	259	609	276
	Separate Group (Inch / Metric)	B_1283SI90	B_1283SM90	406	184	424	192	462	210
		B_1283SI100	B_1283SM100	412	187	430	195	468	212
		B_1283SI112	B_1283SM112	416	189	433	196	471	214
		B_1283SI132	B_1283SM132	435	197	453	205	491	223
		B_1283SI160	B_1283SM160	457	207	475	215	513	233
		B_1283SI180	B_1283SM180	483	219	501	227	539	244
	Integral Gearmotor (HP)	B_1283GH90H4	--	415	188	432	196	470	213
		B_1283GH90I4		420	190	438	199	476	216
		B_1283GH100J4		424	192	442	200	480	218
		B_1283GH112L4		447	203	465	211	503	228
		B_1283GH132M4		511	232	529	240	567	257
		B_1283GH132N4		542	246	559	254	597	271

* Weights are Approximate
(L) - See Footnotes page on the inside back cover

NOMENCLATURE PAGE RHB-5	SELECTION GEARMOTOR PAGE RHB-63	DIMENSIONS PAGE RHB-250	THERMAL RATINGS PAGE RHB-364
----------------------------	------------------------------------	----------------------------	---------------------------------

WEIGHTS - RHB 148

Unit Size	Input Configuration	Catalog Number		Output Configuration					
				Foot Mounted		Flange Mounted			
				Weight (lbs) (L)	Weight (Kg) (L)	B14		B5	
Weight (lbs) (L)	Weight (Kg) (L)	Weight (lbs) (L)	Weight (Kg) (L)						
148	Clamp Collar	B_1483CN180TC	B_1483CI100D	606	275	606	275	648	294
		--	B_1483CI112D	609	276	609	276	651	295
		B_1483CN210TC	B_1483CI132D	617	280	617	280	659	299
		B_1483CN250TC	B_1483CI160D	649	294	649	294	691	313
		B_1483CN280TC	B_1483CI180D	650	295	650	295	692	314
		--	B_1483CI200D	659	299	659	299	701	318
	3 Pc Coupled	B_1483CN320TC	--	680	308	704	319	746	338
		B_1483LN180TC	B_1483LI100D	629	285	629	285	671	304
		--	B_1483LI112D	632	287	632	287	674	306
		B_1483LN210TC	B_1483LI132D	646	293	646	293	688	312
		B_1483LN250TC	B_1483LI160D	703	319	703	319	745	338
		B_1483LN280TC	B_1483LI180D	740	336	740	336	782	355
	Separate Group (Inch / Metric)	--	B_1483LI200D	753	341	753	341	795	361
		B_1483LN320TC	B_1483LI225D	859	390	859	390	901	409
		B_1483SI100	B_1483SM100	618	280	618	280	660	299
		B_1483SI112	B_1483SM112	620	281	620	281	662	300
		B_1483SI132	B_1483SM132	637	289	637	289	679	308
	Integral Gearmotor (HP)	B_1483SI160	B_1483SM160	669	303	669	303	711	322
		B_1483SI180	B_1483SM180	683	310	683	310	725	329
		B_1483SI225	B_1483SM225	746	338	746	338	788	357
		B_1483GH100J4	--	630	286	654	297	696	316
	B_1483GH112L4	652		296	676	307	718	326	
	B_1483GH132M4	713		323	737	334	779	353	
	B_1483GH132N4	744		337	768	348	810	367	

* Weights are Approximate

(L) - See Footnotes page on the inside back cover

NOMENCLATURE PAGE RHB-5	SELECTION GEARMOTOR PAGE RHB-63	DIMENSIONS PAGE RHB-282	THERMAL RATINGS PAGE RHB-364
----------------------------	------------------------------------	----------------------------	---------------------------------

WEIGHTS - RHB 168

Unit Size	Input Configuration	Catalog Number		Output Configuration					
				Foot Mounted		Flange Mounted			
				Weight (lbs) (L)	Weight (Kg) (L)	B14		B5	
Weight (lbs) (L)	Weight (Kg) (L)	Weight (lbs) (L)	Weight (Kg) (L)						
168	Clamp Collar	B_1683CN210TC	B_1683CI132D	995	451	1023	464	1094	496
		B_1683CN250TC	B_1683CI160D	1015	460	1043	473	1114	505
		B_1683CN280TC	B_1683CI180D	1026	465	1054	478	1125	510
		--	B_1683CI200D	1035	469	1063	482	1134	514
		B_1683CN320TC	--	1049	476	1077	488	1148	521
		B_1683CN360TC	--	1099	498	1127	511	1198	543
	3 Pc Coupled	B_1683LN210TC	B_1683LI132D	1024	464	1051	477	1122	509
		B_1683LN250TC	B_1683LI160D	1069	485	1096	497	1167	529
		B_1683LN280TC	B_1683LI180D	1116	506	1144	519	1215	551
		--	B_1683LI200D	1129	512	1157	525	1228	557
		B_1683LN320TC	B_1683LI225D	1228	557	1256	570	1327	602
		B_1683LN360TC	B_1683LI250D	1306	592	1334	605	1405	637
	Separate Group (Inch / Metric)	B_1683SI132	B_1683SM132	1015	460	1042	473	1113	505
		B_1683SI160	B_1683SM160	1035	469	1063	482	1134	514
		B_1683SI180	B_1683SM180	1059	480	1087	493	1158	525
		B_1683SI225	B_1683SM225	1115	506	1143	518	1214	551
		B_1683SI250	B_1683SM250	1133	514	1161	527	1232	559
	Integral Gearmotor (HP)	B_1683GH132M4	--	1090	494	1118	507	1189	539
		B_1683GH132N4	--	1121	508	1149	521	1220	553

* Weights are Approximate

(L) - See Footnotes page on the inside back cover

NOMENCLATURE PAGE RHB-5	SELECTION GEARMOTOR PAGE RHB-63	DIMENSIONS PAGE RHB-314	THERMAL RATINGS PAGE RHB-364
----------------------------	------------------------------------	----------------------------	---------------------------------

NOTES



QUANTIS

QUANTIS GOLD

ILH

RHB

MSM

NOMENCLATURE
PAGE RHB-5

HOW TO ORDER
PAGE RHB-16

SELECTION GEARMOTOR
PAGE RHB-63

DIMENSIONS
PAGE RHB-90

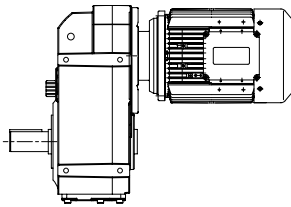
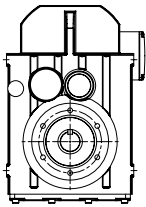
QUANTIS - MSM

Mounting Options	MSM-2
Nomenclature	MSM-4
Mounting Positions and Oil Quantities	MSM-10
Overhung Loads	MSM-14
Selection - Reducer - 60 Hz	
MSM 38	MSM-16
MSM 48	MSM-21
MSM 68	MSM-26
MSM 88	MSM-31
MSM 108	MSM-37
MSM 128	MSM-42
MSM 148	MSM-47
MSM 168	MSM-52
Stock/Non-Stock Part Numbers	MSM-57
Selection - Integral Gearmotor - 60 HZ	MSM-62
Dimension	
MSM 38	MSM-98
MSM 48	MSM-114
MSM 68	MSM-130
MSM 88	MSM-146
MSM 108	MSM-160
MSM 128	MSM-176
MSM 148	MSM-194
MSM 168	MSM-210
Shrink Disk Dimensions	MSM-226
Torque Arm Bushings	MSM-227
Selection/Dimension	
Twin Tapered Bushing	MSMS-228
Screw Conveyor	MSM-236
Thermal Ratings	MSM-242
Weights	MSM-250
Part Number Index	Index-1

MOUNTING OPTIONS

MSM MOUNTING OPTIONS

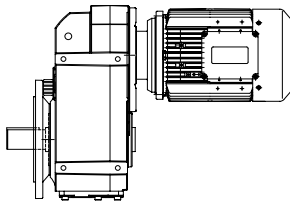
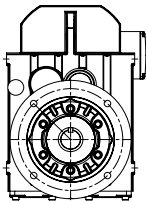
QUANTIS



MW..2/3../S..B14

Motorized Shaft Mount
 Universal Mounting (B14 Flange Mounted)
 Double/Triple Reduction
 Single Extension Solid Shaft

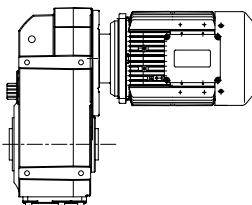
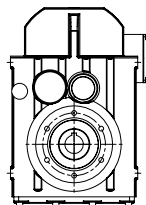
QUANTIS GOLD



MW..2/3../S..B5

Motorized Shaft Mount
 B5 Flange Mounted
 Double/Triple Reduction
 Single Extension Solid Shaft

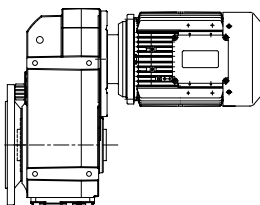
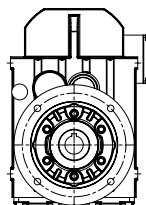
ILH



MW..2/3../H..B14

Motorized Shaft Mount
 Universal Mounting (B14 Flange Mounted)
 Double/Triple Reduction
 Straight Hollow Bore

RHB



MW..2/3../H..B5

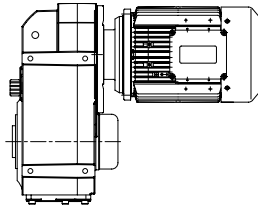
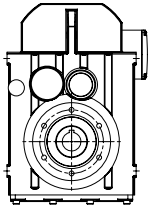
Motorized Shaft Mounted
 B5 Flange Mounted
 Double/Triple Reduction
 Straight Hollow Bore

MSM

MOUNTING OPTIONS

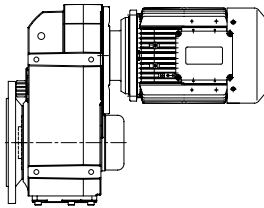
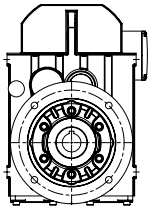


MSM MOUNTING OPTIONS



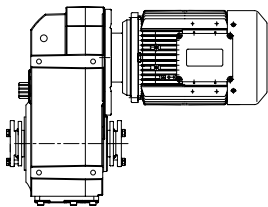
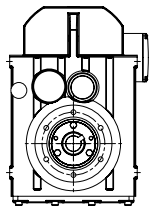
MW..2/3../C..B14

Motorized Shaft Mount
 Universal Mounting (B14 Flange Mounted)
 Double/Triple Reduction
 Shrink Disk



MW..2/3../C..B5

Motorized Shaft Mount
 B5 Flange Mounted
 Double/Triple Reduction
 Shrink Disk



MW..2/3../T..B14*

Motorized Shaft Mounted
 Universal Mounting
 Double/Triple Reduction
 Tapered Hollow Bore with Twin-Tapered Bushings

* B5 flange is not usable when the unit utilizes the twin tapered bushing option. A torque arm bushing is recommended

QUANTIS

QUANTIS GOLD

ILH

RHB

MSM

MOUNTING POSITIONS PAGE MSM-10	SELECTION/GEARMOTOR PAGE MSM-62	DIMENSIONS PAGE MSM-98	THERMAL RATINGS PAGE MSM-242
-----------------------------------	------------------------------------	---------------------------	---------------------------------

MOTORIZED SHAFT MOUNT C-FACE REDUCERS (MSM)

1	2	3	4	5	6	7	/	8	9	10	10a	10b	11	11a	12	13	13a	13b
Ex: M	W	48	2	C	N	140TC	/	7.95	A1	H	I	1.375	B5	200mm	-	-	-	-

1. PRODUCT TYPE

M = MSM

2. OUTPUT CONFIGURATION

W = Universal Mounting

3. UNIT SIZE

38 48 68 88
108 128 148 168

4. STAGE OF REDUCTION

2 = Double Reduction
3 = Triple Reduction

5. INPUT CONFIGURATION

C = Clamp Collar
L = 3 Pc Coupling

6. MOTOR TYPE

N = NEMA
I = IEC

7. MOTOR FRAME

NEMA
56C 140TC 180TC 210TC
250TC 280TC 320TC 360TC

IEC
71D 80D 90D 100D 112D 132D
160D 180D 200D 225D 250D

8. RATIO (Use Actual Ratio From Selection Pages)

MSM 38	9.80 - 179.14
MSM 48	7.95 - 169.53
MSM 68	6.65 - 243.72
MSM 88	8.85 - 302.68
MSM 108	9.52 - 307.24
MSM 128	6.86 - 295.38
MSM 148	7.54 - 306.08
MSM 168	7.71 - 287.95

9. MOUNTING POSITIONS (See page MSM-11,

MSM-12, MSM-13)

A1 A2 A3
A4 A5 A6

10. OUTPUT SHAFT TYPE

S = Single Extension Solid Shaft
H = Straight Hollow Bore
T = Tapered Hollow Bore
C = Shrink Disk

10a. OUTPUT SHAFT DIMENSION

I = Inch
M = Metric

10b. OUTPUT SHAFT DIAMETER

Single Extension Solid Shaft

	Std		Optional	
MSM 38	1.000"	1.375"	25mm	35mm
MSM 48	1.250"	1.625"	30mm	40mm
MSM 68	1.625"	2.000"	40mm	50mm
MSM 88	2.000"	2.750"	50mm	70mm
MSM 108	2.375"	3.1875"	60mm	80mm
MSM 128	2.875"	3.625"	70mm	90mm
MSM 148	3.625"	4.000"	90mm	100mm
MSM 168	4.375"	4.750"	110mm	120mm

Straight Hollow Bore

	Std		Optional	
MSM 38	1.250"	--	30mm	--
MSM 48	1.375"	--	35mm	--
MSM 68	1.500"	1.4375"	40mm	45mm
MSM 88	2.000"	1.9375"	50mm	60mm
MSM 108	2.375"	2.4375"	60mm	70mm
MSM 128	2.750"	2.9375"	70mm	80mm
MSM 148	3.625"	3.4375"	80mm	90mm
MSM 168	4.000"	3.9375"	100mm	110mm

Shrink Disk

MSM 38	30mm	MSM 108	70mm
MSM 48	40mm	MSM 128	80mm
MSM 68	50mm	MSM 148	95mm
MSM 88	60mm	MSM 168	105mm

Tapered Hollow Bore (See Pages MSM-228 - MSM-235)

(Continued On Next Page)

MOUNTING POSITIONS PAGE MSM-10	SELECTION REDUCERS PAGE MSM-16	DIMENSIONS PAGE MSM-98	THERMAL RATINGS PAGE MSM-242
-----------------------------------	-----------------------------------	---------------------------	---------------------------------

MOTORIZED SHAFT MOUNT C-FACE REDUCERS (MSM) (con't)

Ex:	1	2	3	4	5	6	7	/	8	9	10	10a	10b	11	11a	12	13	13a	13b
	M	W	48	2	C	N	140TC	/	7.95	A1	H	I	1.375	B5	200mm	-	-	-	-

11. OUTPUT FLANGE TYPE

B5
B14 (STD)

11a. OUTPUT FLANGE DIAMETER

	B5 Flange	B14 Flange
MSM 38	160mm	120mm
MSM 48	200mm	132mm
MSM 68	250mm	150mm
MSM 88	300mm	190mm
MSM 108	350mm	245mm
MSM 128	450mm	295mm
MSM 148	450mm	335mm
MSM 168	550mm	400mm

12. TORQUE ARM

B = Rubber Bushing

13. SCREW CONVEYOR DRIVE (MSM 38 - 128 - MW Style Housing)

SCS = Screw Conveyor with Drive Shaft
SCN = Screw Conveyor - No Drive Shaft

13a. SCREW CONVEYOR DRIVE SHAFT DIAMETER

MSM 38	1.500"			
MSM 48	1.500"	2.000"		
MSM 68	1.500"	2.000"	2.4375"	
MSM 88	2.000"	2.4375"	3.000"	
MSM 108	2.000"	2.4375"	3.000"	
MSM 128	2.000"	2.4375"	3.000"	3.4375"

13b. SCREW CONVEYOR ADAPTER

S = Standard
XT = Harsh Duty

QUANTIS

QUANTIS GOLD

ILH

RHB

MSM

MOUNTING POSITIONS PAGE MSM-10	SELECTION REDUCERS PAGE MSM-16	DIMENSIONS PAGE MSM-98	THERMAL RATINGS PAGE MSM-242
-----------------------------------	-----------------------------------	---------------------------	---------------------------------

MOTORIZED SHAFT MOUNT SEPARATE REDUCERS (MSM)

	1	2	3	4	5	6	7	/	8	9	10	10a	10b	11	11a	12	13	13a	13b
(Ex:)	M	W	88	2	S	I	132	/	21.81	A1	S	M	50	B14	190	B	-	-	-

1. PRODUCT TYPE

M = MSM

2. OUTPUT CONFIGURATION

W = Universal Mounting

3. UNIT SIZE

38	48	68	88
108	128	148	168

4. STAGE OF REDUCTION

2 = Double Reduction
3 = Triple Reduction

5. INPUT CONFIGURATION

S = Separate

6. INPUT SHAFT DIMENSION

I = Inch
M = Metric

7. SEPARATE GROUP

71	80	90	100	112
132	160	180	225	250

8. RATIO (Use Actual Ratio From Selection Pages)

MSM 38	9.80	-	179.14
MSM 48	7.95	-	169.53
MSM 68	6.65	-	243.72
MSM 88	8.85	-	302.68
MSM 108	9.52	-	307.24
MSM 128	6.86	-	295.38
MSM 148	7.54	-	306.08
MSM 168	7.71	-	287.95

9. MOUNTING POSITIONS (See page MSM-11, MSM-12, M-13)

A1	A2	A3
A4	A5	A6

10. OUTPUT SHAFT TYPE

S = Single Extension Solid Shaft
H = Straight Hollow Bore
T = Tapered Hollow Bore
C = Shrink Disk

10a. OUTPUT SHAFT DIMENSION

I = Inch
M = Metric

10b. OUTPUT SHAFT DIAMETER

Single Extension Solid Shaft

	Std	Optional
MSM 38	1.000"	1.375" 25mm 35mm
MSM 48	1.250"	1.625" 30mm 40mm
MSM 68	1.625"	2.000" 40mm 50mm
MSM 88	2.000"	2.750" 50mm 70mm
MSM 108	2.375"	3.1875" 60mm 80mm
MSM 128	2.875"	3.625" 70mm 90mm
MSM 148	3.625"	4.000" 90mm 100mm
MSM 168	4.375"	4.750" 110mm 120mm

10b. OUTPUT SHAFT DIAMETER

Straight Hollow Bore

	Std	Optional
MSM 38	1.250"	-- 30mm --
MSM 48	1.375"	-- 35mm --
MSM 68	1.500"	1.4375" 40mm 45mm
MSM 88	2.000"	1.9375" 50mm 60mm
MSM 108	2.375"	2.4375" 60mm 70mm
MSM 128	2.750"	2.9375" 70mm 80mm
MSM 148	3.625"	3.4375" 80mm 90mm
MSM 168	4.000"	3.9375" 100mm 110mm

Shrink Disk

MSM 38	30mm	MSM 108	70mm
MSM 48	40mm	MSM 128	80mm
MSM 68	50mm	MSM 148	95mm
MSM 88	60mm	MSM 168	105mm

Tapered Hollow Bore (See Pages MSM-228 - MSM-235)

11. OUTPUT FLANGE TYPE

B5
B14 (STD)

(Continued On Next Page)

MOUNTING POSITIONS PAGE MSM-10	SELECTION REDUCERS PAGE MSM-16	DIMENSIONS PAGE MSM-98	THERMAL RATINGS PAGE MSM-242
-----------------------------------	-----------------------------------	---------------------------	---------------------------------

MOTORIZED SHAFT MOUNT SEPARATE REDUCERS (MSM) (con't)

(Ex:)	1	2	3	4	5	6	7	/	8	9	10	10a	10b	11	11a	12	13	13a	13b
	M	W	88	2	S	I	132	/	21.81	A1	S	M	50	B14	190	B	-	-	-

11a. OUTPUT FLANGE DIAMETER

	B5 Flange	B14 Flange
MSM 38	160mm	120mm
MSM 48	200mm	132mm
MSM 68	250mm	150mm
MSM 88	300mm	190mm
MSM 108	350mm	245mm
MSM 128	450mm	295mm
MSM 148	450mm	335mm
MSM 168	550mm	400mm

13a. SCREW CONVEYOR DRIVE SHAFT DIAMETER

MSM 38	1.500"			
MSM 48	1.500"	2.000"		
MSM 68	1.500"	2.000"	2.4375"	
MSM 88	2.000"	2.4375"	3.000"	
MSM 108	2.000"	2.4375"	3.000"	
MSM 128	2.000"	2.4375"	3.000"	3.4375"

13b. SCREW CONVEYOR ADAPTER

S = Standard
 XT = Harsh Duty

12. TORQUE ARM

B = Rubber Bushing

13. SCREW CONVEYOR DRIVE (MSM 38 - 128 - MW Style Housing)

SCS = Screw Conveyor with Drive Shaft
 SCN = Screw Conveyor - No Drive Shaft

QUANTIS

QUANTIS GOLD

ILH

RHB

MSM

MOUNTING POSITIONS PAGE MSM-10	SELECTION REDUCERS PAGE MSM-16	DIMENSIONS PAGE MSM-98	THERMAL RATINGS PAGE MSM-242
-----------------------------------	-----------------------------------	---------------------------	---------------------------------

MOTORIZED SHAFT MOUNT INTEGRAL GEARMOTORS (MSM)

	1	2	3	4	5	6	7	/	8	9	10	10a	10b	11	11a	12	13	13a	13b	14
(EX.)	M	W	68	3	G	H	100J4	/	113.59	A3	T	I	1.375	-	-	-	-	-	-	L16

1. PRODUCT TYPE

M = MSM

2. OUTPUT CONFIGURATION

W = Universal Mounting

3. UNIT SIZE

38	48	68	88
108	128	148	168

4. STAGE OF REDUCTION

2 = Double Reduction
3 = Triple Reduction

5. INPUT CONFIGURATION

G = Integral Gearmotor

6. MOTOR TYPE

H = Horsepower

7. MOTOR FRAME

71C4	.25 Hp	90I4	2 Hp
71D4	.33 Hp	100J4	3 Hp
71E 4	.50 Hp	112L4	5 Hp
80F4	.75 Hp	132M4	7.5 Hp
80G4	1 Hp	132N4	10 Hp
90H4	1.5 Hp		

8. RATIO (Use Actual Ratio From Selection Pages)

MSM 38	9.80 - 179.14
MSM 48	7.95 - 169.53
MSM 68	6.65 - 243.72
MSM 88	8.85 - 302.68
MSM 108	9.52 - 307.24
MSM 128	6.86 - 295.38
MSM 148	7.54 - 306.08
MSM 168	7.71 - 287.95

9. MOUNTING POSITION (See pages MSM-11, MSM-12, MSM-13)

A1	A2	A3
A4	A5	A6

10. OUTPUT SHAFT TYPE

S = Single Extension Solid Shaft
H = Straight Hollow Bore
T = Tapered Hollow Bore
C = Shrink Disk

10a. OUTPUT SHAFT DIMENSION

I = Inch
M = Metric

10b. OUTPUT SHAFT DIAMETER

Single Extension Solid Shaft

	Std		Optional	
MSM 38	1.000"	1.375"	25mm	35mm
MSM 48	1.250"	1.625"	30mm	40mm
MSM 68	1.625"	2.000"	40mm	50mm
MSM 88	2.000"	2.750"	50mm	70mm
MSM 108	2.375"	3.1875"	60mm	80mm
MSM 128	2.875"	3.625"	70mm	90mm
MSM 148	3.625"	4.000"	90mm	100mm
MSM 168	4.375"	4.750"	110mm	120mm

10b. OUTPUT SHAFT DIAMETER

Straight Hollow Bore

	Std		Optional	
MSM 38	1.250"	--	30mm	--
MSM 48	1.375"	--	35mm	--
MSM 68	1.500"	1.4375"	40mm	45mm
MSM 88	2.000"	1.9375"	50mm	60mm
MSM 108	2.375"	2.4375"	60mm	70mm
MSM 128	2.750"	2.9375"	70mm	80mm
MSM 148	3.625"	3.4375"	80mm	90mm
MSM 168	4.000"	3.9375"	100mm	110mm

Shrink Disk

MSM 38	30mm	MSM 108	70mm
MSM 48	40mm	MSM 128	80mm
MSM 68	50mm	MSM 148	95mm
MSM 88	60mm	MSM 168	105mm

Tapered Hollow Bore (See Pages MSM-228 - MSM-235)

11. OUTPUT FLANGE TYPE

B5
B14 (STD)

(Continued On Next Page)

MOUNTING POSITIONS PAGE MSM-10	SELECTION GEARMOTOR PAGE MSM-62	DIMENSIONS PAGE MSM-104	THERMAL RATINGS PAGE MSM-242
-----------------------------------	------------------------------------	----------------------------	---------------------------------

MOTORIZED SHAFT MOUNT INTEGRAL GEARMOTORS (MSM) (con't)

	1	2	3	4	5	6	7	/	8	9	10	10a	10b	11	11a	12	13	13a	13b	14
(EX.)	M	W	68	3	G	H	100J4	/	113.59	A3	T	I	1.375	-	-	-	-	-	-	L16

11a. OUTPUT FLANGE DIAMETER

	B5 Flange	B14 Flange
MSM 38	160mm	120mm
MSM 48	200mm	132mm
MSM 68	250mm	150mm
MSM 88	300mm	190mm
MSM 108	350mm	245mm
MSM 128	450mm	295mm
MSM 148	450mm	335mm
MSM 168	550mm	400mm

12. TORQUE ARM

B = Rubber Bushing

13. SCREW CONVEYOR DRIVE (MSM 38 - 128 MW STYLE HOUSING)

SCS = Screw Conveyor with Drive Shaft
 SCN = Screw Conveyor - No Drive Shaft

13a. SCREW CONVEYOR DRIVE SHAFT DIAMETER

MSM 38	1.500"		
MSM 48	1.500"	2.000"	
MSM 68	1.500"	2.000"	2.4375"
MSM 88	2.000"	2.4375"	3.000"
MSM 108	2.000"	2.4375"	3.000"
MSM 128	2.000"	2.4375"	3.000"
			3.4375"

13b. SCREW CONVEYOR ADAPTER

S = Standard
 XT = Harsh Duty

14. BRAKE

L4 (3 ft / lb)	L32 (24 ft / lb)
L8 (6 ft / lb)	L60 (44 ft / lb)
L16 (12 ft / lb)	L80 (59 ft / lb)

MOUNTING POSITIONS PAGE MSM-10	SELECTION GEARMOTOR PAGE MSM-62	DIMENSIONS PAGE MSM-104	THERMAL RATINGS PAGE MSM-242
-----------------------------------	------------------------------------	----------------------------	---------------------------------

MOUNTING POSITIONS



QUANTIS

MOTORIZED SHAFT MOUNT C-FACE REDUCERS & INTEGRAL GEARMOTORS

These mounting arrangements are for all output configurations and output shaft types. When ordering, please specify mounting position for correct oil quantity. In case of mounting position other than shown here with regard to the oil quantity, please reference the Incline Mounting page, Quantis-23 and contact Application Engineering.

NOTE: The oil volumes shown are approximate values and cannot be used to correctly set the reducer oil level. **ALWAYS** fill the reducer to the correct oil level plug and recheck in 1 week.

A1

Type	Red. Stage	Pints	Liters
MW38	2	3.2	1.5
	3	3.2	1.5
MW48	2	4.2	2.0
	3	4.2	2.0
MW68	2	9.5	4.5
	3	9.3	4.4
MW88	2	18.4	8.7
	3	18.4	8.7
MW108	2	30.4	14.4
	3	29.4	13.9
MW128	2	58.5	27.7
	3	57.3	27.1
MW148	2	84.1	39.8
	3	82.2	38.9
MW168	2	138.8	63.3
	3	131.0	62.0



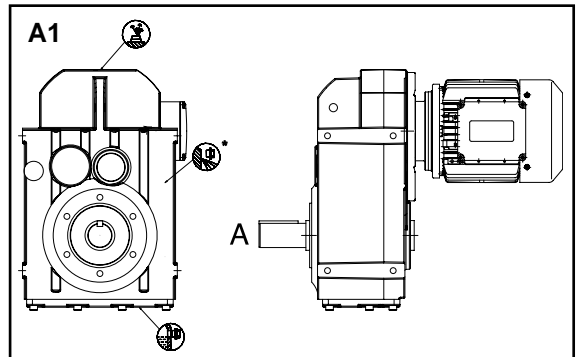
OIL LEVEL



VENTILATION



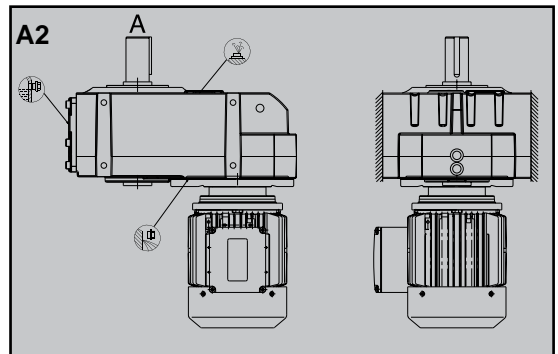
OIL DRAIN



QUANTIS GOLD

A2

Type	Red. Stage	Pints	Liters
MW38	2	4.2	2.0
	3	4.2	2.0
MW48	2	6.1	2.9
	3	6.1	2.9
MW68	2	12.3	5.8
	3	12	5.7
MW88	2	24.7	11.7
	3	24.1	11.4
MW108	2	40.4	19.1
	3	39.7	18.8
MW128	2	71.9	34.0
	3	73.1	34.6
MW148	2	103.6	49.0
	3	104.4	49.4
MW168	2	148.1	70.1
	3	149.2	70.6



ILH

RHB

* on opposite side

MSW 38 units are sealed for life and furnished with only one plug for filling and draining.

NOTE: Shaded A2 Mounting is not a recommended mounting position due to the weight of oil on the high speed input seal.

MSM

NOMENCLATURE
PAGE MSM-4

OVERHUNG LOADS
PAGE MSM-14

SELECTION GEARMOTOR
PAGE MSM-62

WEIGHTS
PAGE MSM-250

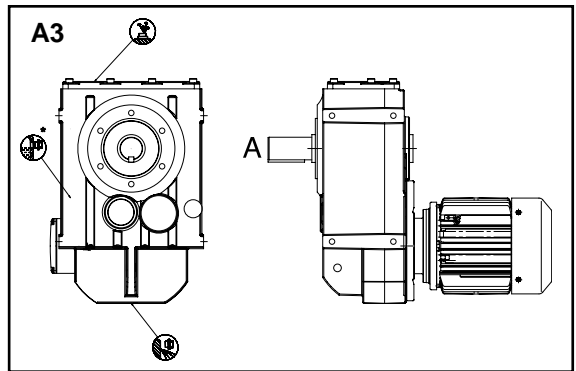
MOTORIZED SHAFT MOUNT C-FACE REDUCERS & INTEGRAL GEARMOTORS

These mounting arrangements are for all output configurations and output shaft types. When ordering, please specify mounting position for correct oil quantity. In case of mounting position other than shown here with regard to the oil quantity, please reference the Incline Mounting page, Quantis-23 and contact Application Engineering.

NOTE: The oil volumes shown are approximate values and cannot be used to correctly set the reducer oil level. **ALWAYS** fill the reducer to the correct oil level plug and recheck in 1 week.

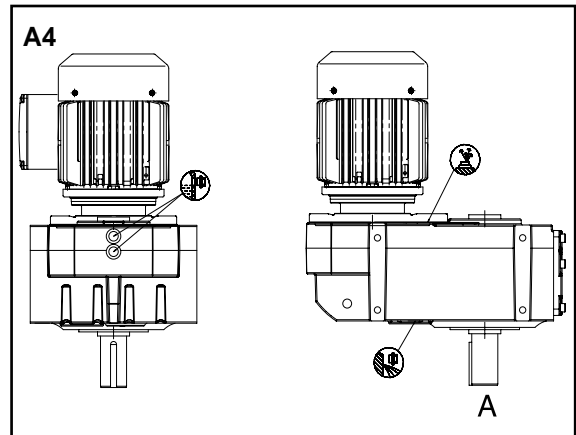
A3

Type	Red. Stage	Pints	Liters
MW38	2	1.7	0.8
	3	1.7	0.8
MW48	2	3	1.4
	3	3.2	1.5
MW68	2	5.9	2.8
	3	6.1	2.9
MW88	2	14.2	6.7
	3	13.7	6.5
MW108	2	18.8	8.9
	3	19.2	9.1
MW128	2	30	14.2
	3	31.5	14.9
MW148	2	46.1	21.8
	3	47.1	22.3
MW168	2	67.8	32.1
	3	69.1	32.7



A4

Type	Red. Stage	Pints	Liters
MW38	2	3.6	1.7
	3	4.2	2
MW48	2	6.3	3
	3	6.1	2.9
MW68	2	10.1	4.8
	3	13.5	6.4
MW88	2	21.8	10.3
	3	26.6	12.6
MW108	2	31.7	15
	3	39.9	18.9
MW128	2	58.5	27.7
	3	72.9	34.5
MW148	2	90.9	43
	3	101.1	51.6
MW168	2	139.3	65.9
	3	168.4	79.7



* on opposite side

MSW 38 units are sealed for life and furnished with only one plug for filling and draining.

NOMENCLATURE PAGE MSM-4	OVERHUNG LOADS PAGE MSM-14	SELECTION GEARMOTOR PAGE MSM-62	WEIGHTS PAGE MSM-250
----------------------------	-------------------------------	------------------------------------	-------------------------

MOUNTING POSITIONS



QUANTIS

QUANTIS GOLD

ILH

RHB

MSM

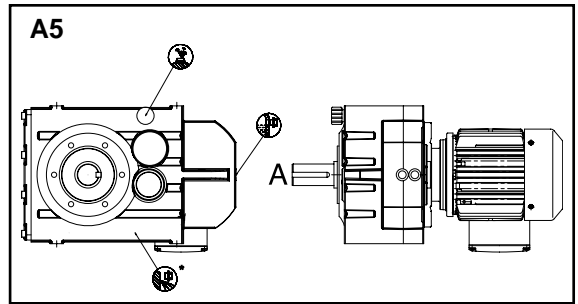
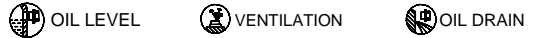
MOTORIZED SHAFT MOUNT C-FACE REDUCERS & INTEGRAL GEARMOTORS

These mounting arrangements are for all output configurations and output shaft types. When ordering, please specify mounting position for correct oil quantity. In case of mounting position other than shown here with regard to the oil quantity, please reference the Incline Mounting page, Quantis-23 and contact Application Engineering.

NOTE: The oil volumes shown are approximate values and cannot be used to correctly set the reducer oil level. **ALWAYS** fill the reducer to the correct oil level plug and recheck in 1 week.

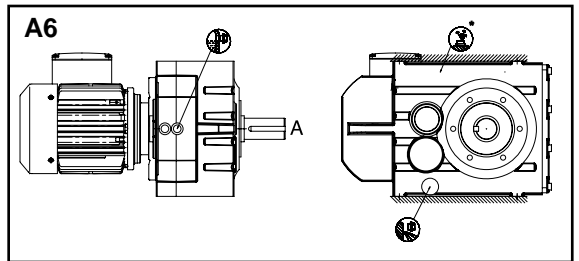
A5

Type	Red. Stage	Pints	Liters
MW38	2	2.5	1.2
	3	2.5	1.2
MW48	2	3.8	1.8
	3	3.8	1.8
MW68	2	8	3.8
	3	7.8	3.7
MW88	2	16.9	8
	3	16.3	7.7
MW108	2	25.4	12
	3	24.7	11.7
MW128	2	45.6	21.6
	3	45	21.3
MW148	2	67	31.7
	3	65.9	31.2
MW168	2	104	49.2
	3	102.3	48.4



A6

Type	Red. Stage	Pints	Liters
MW38	2	2.5	1.2
	3	2.5	1.2
MW48	2	3.8	1.8
	3	3.8	1.8
MW68	2	8	3.8
	3	7.8	3.7
MW88	2	16.9	8
	3	16.3	7.7
MW108	2	25.4	12
	3	24.7	11.7
MW128	2	45.6	21.6
	3	45	21.3
MW148	2	67	31.7
	3	65.9	31.2
MW168	2	104	49.2
	3	102.3	48.4



* on opposite side

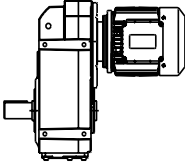
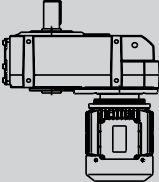
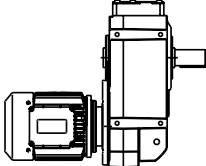
MSW 38 units are sealed for life and furnished with only one plug for filling and draining.

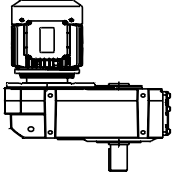


NOMENCLATURE PAGE MSM-4	OVERHUNG LOADS PAGE MSM-14	SELECTION GEARMOTOR PAGE MSM-62	WEIGHTS PAGE MSM-250
----------------------------	-------------------------------	------------------------------------	-------------------------

MOUNTING POSITIONS



Table of Old vs. New Mounting Positions

	A1	A2	A3
MSM (MW)	B6 B5 	V6 V3 	B6-02 B5-02 

	A4	A5	A6
MSM (MW)	V5 V1 	B3 B8 B5-01 	B3-01 B8-01 B5-03 

Shaded A2 mounting is not a recommended mounting position due to the weight of oil on the high speed input seal.

NOMENCLATURE PAGE MSM-4	OVERHUNG LOADS PAGE MSM-14	SELECTION GEARMOTOR PAGE MSM-62	WEIGHTS PAGE MSM-250
----------------------------	-------------------------------	------------------------------------	-------------------------

OVERHUNG LOADS

SOLID OUTPUT SHAFT - MSM GEARMOTORS AND REDUCERS

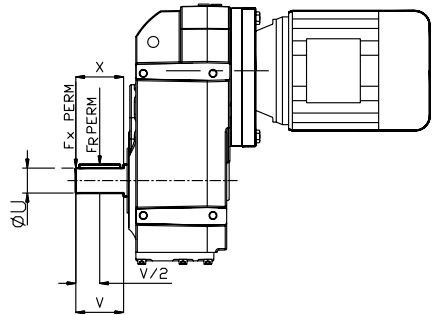
Permissible Overhung Loads at Service Factor SF = 1.0

1. Calculation based on bearing life

$$F_{x \text{ perm.1}} = F_r \text{ perm} \frac{y}{z + X} \quad [\text{lb.}]$$

2. Calculation based on mechanical strength

$$F_{x \text{ perm.2}} = \frac{a}{X} \quad [\text{lb.}]$$



The data in the table below lists the permissible output shaft overhung load (OHL) when the load is located at mid shaft. To calculate the permissible OHL when the load is located at other positions, use the formulas above along with the data below.

Both equations 1 and 2 must be used to determine if the bearing or shaft strength limits the OHL. Limit the OHL to the lower of the 2 calculations.

Type Stages	y in/mm	z in/mm	a Lb-in / kNmm	u in/mm	v in/mm	*	F _r perm. in (lbf) for x=u for output speeds n ₂ in RPM							
							n ₂ ≤ 16	n ₂ ≤ 25	n ₂ ≤ 40	n ₂ ≤ 63	n ₂ ≤ 100	n ₂ ≤ 160	n ₂ ≤ 250	n ₂ ≤ 263
MW38 (2/3)	4.80	3.82	947	1.00	1.97	ccw	2508	2203	1922	1690	1486	1219	1011	990
	122	97	107	25	50	cw	1720	1414	1137	906	706	704	678	673
	5.2	3.82	1328	1.375	2.76	ccw	2292	2008	1757	1543	1359	1111	923	904
MW48 (2/3)	5.94	4.76	1575	1.25	2.36	ccw	3554	3123	2726	2359	2058	1676	1395	1368
	151	121	178	30	60	cw	2466	2033	1643	1393	1135	1098	1025	1015
	6.34	4.76	2098	1.625	3.15	ccw	3330	2925	2554	2210	1931	1573	1309	1284
MW68 (2/3)	7.48	5.91	3939	1.625	3.15	ccw	8104	7158	6303	5571	4923	4157	3551	3484
	190	150	445	40	80	cw	6480	5546	4676	3951	3310	3083	2859	2831
	7.87	5.91	4549	2.000	3.94	ccw	7308	6767	5959	5264	4649	3926	3349	3297
MW88 (2/3)	8.86	6.89	7107	2.000	3.94	ccw	13366	11792	10348	9143	7992	6751	5797	5698
	225	175	803	50	100	cw	11084	9522	8088	6867	5923	5465	4966	4911
	9.65	6.89	9949	2.750	5.51	ccw	12167	10762	9443	8331	7280	6161	5283	5201
MW108 (2/3)	10.31	7.95	12834	2.375	4.72	ccw	16860	14953	13128	11640	10295	8637	7362	7220
	262	202	1450	60	120	cw	13134	11179	9404	7907	6570	6263	5826	5774
	11.1	7.95	17109	3.188	6.69	ccw	15584	13771	12140	10734	9502	7981	6795	6665
MW128 (2/3)	12.99	10.24	18676	2.875	5.51	ccw	27975	24731	21737	19230	16717	14092	12044	11826
	330	260	2110	70	140	cw	21979	18726	15758	13273	11640	10886	10005	9897
	13.78	10.24	24013	3.625	6.69	ccw	26267	23211	20436	18063	15695	13214	11321	11113
MW148 (2/3)	15.67	12.13	40670	3.625	6.69	ccw	28476	25250	22233	19713	16803	14154	12113	11905
	398	308	4595	90	170	cw	21163	17937	14950	12456	11519	10832	9964	9860
	16.06	12.13	40759	4.000	8.27	ccw	27707	24560	21676	19195	16369	13799	11799	11574
MW168 (2/3)	18.56	14.23	87625	4.375	8.27	ccw	42430	37507	32961	29178	25137	21159	18171	17833
	472	362	9900	110	210	cw	33029	28157	23685	19910	17897	16653	15239	15070
	18.98	14.23	63656	4.75	8.27	ccw	41456	36633	32239	28540	24536	20722	17728	17433
	482	362	7192	120	210	cw	32287	27522	23154	19453	17499	16281	14896	14732

* Direction of rotation with view on output shaft. To convert lbf to Newtons (N), multiply by 4.448
 Bold - standard shaft
 cw - clockwise
 ccw - counter clockwise

Heavy duty bearings are standard on 68 and above. Heavy duty bearings are not available for sizes 38 and 48.

NOMENCLATURE PAGE MSM-4	MOUNTING POSITIONS PAGE MSM-10	SELECTION GEARMOTOR PAGE MSM-62	WEIGHTS PAGE MSM-250
----------------------------	-----------------------------------	------------------------------------	-------------------------

OVERHUNG LOADS

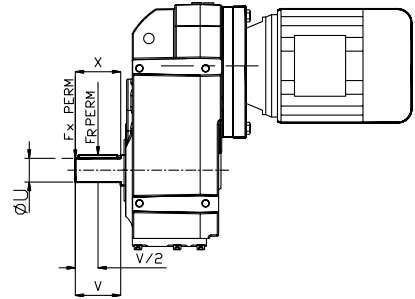


HOLLOW OUTPUT SHAFT - MSM GEARMOTORS AND REDUCERS

Permissible Overhung Loads at Service Factor SF = 1.0

1. Calculation based on bearing life

$$F_x \text{ perm.1} = F_r \text{ perm} \frac{y}{z + X} \quad [\text{lb}_f]$$



The data in the table below lists the permissible output shaft overhung load (OHL) when the load is located at mid shaft. To calculate the permissible OHL when the load is located at other positions, use the formulas above along with the data below.

Type Stages	y in/mm	z in/mm	u in/mm	v in/mm	*	FR perm. in (lbf) for x=u for output speeds n2 in RPM							
						n ₂ ≤ 16	n ₂ ≤ 25	n ₂ ≤ 40	n ₂ ≤ 63	n ₂ ≤ 100	n ₂ ≤ 160	n ₂ ≤ 250	n ₂ ≤ 263
MW38 (2/3)	5.20	3.82	1.250	2.76	ccw	2380	2091	1823	1605	1412	1156	957	938
	132	97	30	70	cw	1633	1340	1078	860	670	666	643	639
MW48 (2/3)	5.94	4.76	1.375	2.76	ccw	3439	3021	2640	2285	1990	1623	1352	1323
	151	121	35	70	cw	2390	1968	1593	1348	1099	1063	992	983
MW68 (2/3)	7.48	5.91	1.5	3.15	ccw	4079	3586	3075	2764	2436	1996	1645	1611
	190	150	40	80	cw	2448	1961	1522	1157	841	923	954	952
MW68 (2/3) ◆ HD	7.81	5.91	1.4375	3.94	ccw	4125	3622	3171	2789	2453	2013	1662	1623
	200	150	45	100	cw	2467	1978	1535	1167	848	931	962	960
MW88 (2/3)	8.56	6.89	2.000	3.94	ccw	8206	7241	6370	5630	4972	4208	3585	3518
	190	150	40	80	cw	6554	5607	4735	3995	3347	3117	2891	2862
MW88 (2/3) ◆ HD	7.87	5.91	1.4375	3.94	ccw	8281	7317	6436	5690	5017	4241	3624	3558
	200	150	45	100	cw	6613	5656	4778	4032	3377	3146	2918	2889
MW88 (2/3)	8.56	6.89	2.000	3.94	ccw	6268	5504	4813	4246	3673	2991	2481	2425
	225	175	50	100	cw	3820	3072	2393	1833	1485	1604	1583	1576
MW88 (2/3) ◆ HD	9.65	6.89	1.9375	5.51	ccw	6203	5543	4854	4276	3696	3011	2498	2441
	245	175	60	140	cw	3844	3093	2409	1846	1496	1616	1594	1587
MW108 (2/3)	8.56	6.89	2.000	3.94	ccw	13312	11752	10312	9099	7951	6735	5773	5684
	225	175	50	100	cw	11041	9484	8058	6841	5902	5445	4946	4893
MW108 (2/3) ◆ HD	9.65	6.89	1.9375	5.51	ccw	13429	11838	10381	9179	8030	6783	5814	5726
	245	175	60	140	cw	11126	9555	8117	6905	5946	5484	4985	4927
MW128 (2/3)	10.71	7.95	2.375	5.51	ccw	16839	14908	13115	11603	10291	8630	7352	7210
	272	202	60	140	cw	13116	11167	9391	7898	6562	6252	5821	5766
MW128 (2/3) ◆ HD	11.36	7.95	2.4375	6.69	ccw	16733	14794	13034	11532	10215	8582	7302	7161
	287	202	70	170	cw	13034	11097	9330	7846	6520	6211	5783	5727
MW148 (2/3)	13.58	10.24	2.750	6.69	ccw	27987	24739	21743	19240	16722	14096	12048	11829
	345	260	70	170	cw	21968	18739	15768	13280	11643	10891	10009	9901
MW148 (2/3) ◆ HD	13.58	10.24	2.9375	6.69	ccw	27552	24328	21414	18936	16476	13858	11865	11662
	345	260	80	170	cw	21633	18469	15532	13084	11469	10727	9860	9752
MW168 (2/3)	15.47	12.13	3.625	6.69	ccw	28310	25104	22099	19628	16740	14071	12042	11834
	393	308	80	170	cw	21043	17835	14869	12385	11444	10757	9908	9805
MW168 (2/3) ◆ HD	16.26	12.13	3.4375	8.27	ccw	28691	25444	22401	19867	16934	14265	12208	11998
	413	308	90	210	cw	21320	18069	15061	12549	11604	10909	10035	9931
MW168 (2/3) ◆ HD	18.37	14.23	4.000	8.27	ccw	43258	38235	33618	29781	25603	21601	18524	18216
	467	362	100	210	cw	33732	28711	24153	20322	18248	16984	15540	15369
MW168 (2/3) ◆ HD	18.37	14.23	3.9375	8.27	ccw	43368	38330	33796	29888	25704	21688	18592	18285
	467	362	110	210	cw	33855	28821	24244	20370	18319	17047	15600	15428

* Direction of rotation with view on output shaft. To convert lbf to Newtons (N), multiply by 4.448

Bold - standard shaft cw - clockwise ccw - counter clockwise

◆ = Heavy Duty bearing option - for sizes 68 and 88 with hollow bore only. Sizes 38 and 48 have no heavy duty option. Sizes 108, 128, 148 and 168 have heavy duty bearings as standard

NOMENCLATURE PAGE MSM-4	MOUNTING POSITIONS PAGE MSM-10	SELECTION GEARMOTOR PAGE MSM-62	WEIGHTS PAGE MSM-250
----------------------------	-----------------------------------	------------------------------------	-------------------------

MOTORIZED SHAFT MOUNT REDUCER (MSM) Service Factor 1.0 - Clamp Collar / 3 Pc Coupled / Separate DOUBLE REDUCTION

**SIZE: MW382
60 HZ**

NEMA MOTOR FRAME IEC MOTOR FRAME SEPARATE GROUP		56C 71D 71			--- 80D 80			140TC 90D 90			180TC 100D 100		
RATIO	OUTPUT RATING DATA	3450	1750	1160	3450	1750	1160	3450	1750	1160	3450	1750	1160
9.8	Output RPM	352	179	118	352	179	118	352	179	118	352	179	118
	Input HP (Max) (C)	3.98	2.02	1.34	4.85	2.46	1.63	9.86	5.00	3.24	11.19	7.45	5.23
	Output Torque, In-Lb	712	712	712	867	867	867	1765	1765	1723	2002	2630	2784
	OHL Input Shaft (A)	(A)	218	218	(A)	346	360	(A)	456	475	(A)	713	742
	OHL Output Shaft (B)	(A)	678	704	(A)	678	704	(A)	678	704	(A)	678	704
11.39	Output RPM	303	154	102	303	154	102	303	154	102	303	154	102
	Input HP (Max) (C)	3.98	2.02	1.34	4.85	2.46	1.63	9.86	5.00	3.07	10.37	6.91	4.72
	Output Torque, In-Lb	828	828	828	1008	1008	1008	2053	2053	1902	2159	2836	2921
	OHL Input Shaft (A)	(A)	217	219	(A)	346	360	(A)	456	475	(A)	714	742
	OHL Output Shaft (B)	(A)	704	704	(A)	704	704	(A)	704	704	(A)	704	704
12.64	Output RPM	273	138	92	273	138	92	273	138	92	273	138	92
	Input HP (Max) (C)	3.98	2.02	1.34	4.85	2.46	1.63	9.83	5.00	2.95	9.83	6.42	4.25
	Output Torque, In-Lb	919	919	919	1119	1119	1119	2269	2277	2029	2269	2921	2921
	OHL Input Shaft (A)	(A)	219	219	(A)	346	360	(A)	455	475	(A)	714	743
	OHL Output Shaft (B)	(A)	704	706	(A)	704	706	(A)	704	706	(A)	704	706
13.76	Output RPM	251	127	84	251	127	84	251	127	84	251	127	84
	Input HP (Max) (C)	3.98	2.02	1.34	4.85	2.46	1.63	9.39	4.99	2.85	9.39	5.89	3.91
	Output Torque, In-Lb	1001	1001	1001	1218	1218	1218	2361	2473	2134	2361	2921	2921
	OHL Input Shaft (A)	(A)	219	219	(A)	346	360	(A)	454	475	(A)	714	743
	OHL Output Shaft (B)	673	704	706	673	704	706	673	704	706	673	704	706
15.39	Output RPM	224	114	75	224	114	75	224	114	75	224	114	75
	Input HP (Max) (C)	3.98	2.02	1.34	4.85	2.46	1.63	8.83	4.75	2.72	8.83	5.27	3.49
	Output Torque, In-Lb	1119	1119	1119	1363	1363	1363	2483	2634	2272	2483	2921	2921
	OHL Input Shaft (A)	(A)	218	218	(A)	346	360	(A)	454	475	(A)	709	738
	OHL Output Shaft (B)	678	704	706	678	704	706	678	704	706	678	704	706
16.83	Output RPM	205	104	69	205	104	69	205	104	69	205	104	69
	Input HP (Max) (C)	3.98	2.02	1.33	4.85	2.46	1.63	8.4	4.56	2.61	8.4	4.82	3.19
	Output Torque, In-Lb	1224	1224	1215	1490	1490	1490	2583	2763	2384	2583	2921	2921
	OHL Input Shaft (A)	(A)	217	217	(A)	346	360	(A)	454	475	(A)	708	738
	OHL Output Shaft (B)	678	704	706	678	704	706	678	704	706	678	704	706
18.47	Output RPM	187	95	63	187	95	63	187	95	63	187	95	63
	Input HP (Max) (C)	3.91	2.02	1.27	4.85	2.46	1.63	7.96	4.36	2.49	7.96	4.39	2.91
	Output Torque, In-Lb	1319	1343	1278	1635	1635	1635	2687	2899	2502	2687	2921	2921
	OHL Input Shaft (A)	(A)	218	217	(A)	345	359	(A)	454	475	(A)	710	739
	OHL Output Shaft (B)	678	706	906	678	706	906	678	706	906	678	706	906
20.37	Output RPM	169	86	57	169	86	57	169	86	57	169	86	57
	Input HP (Max) (C)	3.65	1.98	1.21	4.85	2.46	1.63	7.53	3.98	2.37	7.53	3.98	2.64
	Output Torque, In-Lb	1357	1453	1344	1803	1803	1803	2801	2921	2627	2801	2921	2921
	OHL Input Shaft (A)	(A)	217	217	(A)	345	359	(A)	455	475	(A)	711	740
	OHL Output Shaft (B)	678	706	906	678	706	906	678	706	906	678	706	906

(A) (B) (C) - See Footnote page on inside back cover
NOTE: Blank area (-) indicate configuration not available

NOMENCLATURE PAGE MSM-4	STOCK/NON-STOCK PART NUMBERS PAGE MSM-57	DIMENSIONS PAGE MSM-98	THERMAL RATINGS PAGE MSM-242
----------------------------	---	---------------------------	---------------------------------

SELECTION



MOTORIZED SHAFT MOUNT REDUCER (MSM)

Service Factor 1.0 - Clamp Collar / 3 Pc Coupled / Separate

DOUBLE REDUCTION

SIZE: MW382

60 HZ

NEMA MOTOR FRAME IEC MOTOR FRAME SEPARATE GROUP		56C 71D 71			--- 80D 80			140TC 90D 90			180TC 100D 100		
RATIO	OUTPUT RATING DATA	3450	1750	1160	3450	1750	1160	3450	1750	1160	3450	1750	1160
22.58	Output RPM	153	78	51	153	78	51	153	78	51	153	78	51
	Input HP (Max) (C)	3.38	1.84	1.15	4.85	2.46	1.56	7.08	3.59	2.25	7.08	3.59	2.38
	Output Torque, In-Lb	1395	1494	1414	1998	1998	1915	2921	2921	2763	2921	2921	2921
	OHL Input Shaft (A)	218	217	(A)	344	359	(A)	456	475	(A)	712	741	741
	OHL Output Shaft (B)	704	706	906	704	706	906	704	706	906	704	706	906
25.58	Output RPM	135	68	45	135	68	45	135	68	45	135	68	45
	Input HP (Max) (C)	3.08	1.67	1.08	4.85	2.46	1.46	6.25	3.17	2.10	6.25	3.17	2.10
	Output Torque, In-Lb	1439	1541	1498	2264	2264	2024	2921	2921	2921	2921	2921	2921
	OHL Input Shaft (A)	218	218	(A)	344	359	(A)	456	475	(A)	713	742	742
	OHL Output Shaft (B)	704	706	906	704	706	906	704	706	906	704	706	906
28.22	Output RPM	122	62	41	122	62	41	122	62	41	122	62	41
	Input HP (Max) (C)	2.85	1.55	1.02	4.85	2.37	1.38	5.66	2.87	1.90	5.66	2.87	1.90
	Output Torque, In-Lb	1471	1576	1565	2498	2407	2112	2921	2921	2921	2921	2921	2921
	OHL Input Shaft (A)	218	218	(A)	343	359	(A)	457	475	(A)	714	743	743
	OHL Output Shaft (B)	704	906	906	704	906	906	704	906	906	704	906	906
31.91	Output RPM	108	55	36	108	55	36	108	55	36	108	55	36
	Input HP (Max) (C)	2.59	1.41	0.95	4.85	2.21	1.28	5.01	2.54	1.68	5.01	2.54	1.68
	Output Torque, In-Lb	1509	1616	1650	2824	2536	2225	2921	2921	2921	2921	2921	2921
	OHL Input Shaft (A)	218	218	(A)	343	359	(A)	457	475	(A)	714	743	743
	OHL Output Shaft (B)	704	906	962	704	906	962	704	906	962	704	906	962
36.43	Output RPM	95	48	32	95	48	32	95	48	32	---	---	---
	Input HP (Max) (C)	2.32	1.26	0.87	4.39	2.03	1.18	4.39	2.23	1.48	---	---	---
	Output Torque, In-Lb	1546	1656	1717	2921	2669	2342	2921	2921	2921	---	---	---
	OHL Input Shaft (A)	219	219	(A)	344	359	(A)	457	472	---	---	---	---
	OHL Output Shaft (B)	706	906	962	706	906	962	706	906	962	---	---	---
38.19	Output RPM	90	46	30	90	46	30	90	46	30	---	---	---
	Input HP (Max) (C)	2.71	1.47	1.01	2.91	1.93	1.28	2.91	1.93	1.28	---	---	---
	Output Torque, In-Lb	1890	2026	2100	2031	2655	2655	2031	2655	2655	---	---	---
	OHL Input Shaft (A)	210	210	218	(A)	346	359	(A)	457	475	---	---	---
	OHL Output Shaft (B)	706	906	962	706	906	962	706	906	962	---	---	---
43.43	Output RPM	79	40	27	79	40	27	79	40	27	---	---	---
	Input HP (Max) (C)	2.45	1.33	0.92	2.69	1.70	1.13	2.69	1.70	1.13	---	---	---
	Output Torque, In-Lb	1946	2086	2162	2132	2655	2655	2132	2655	2655	---	---	---
	OHL Input Shaft (A)	210	210	218	(A)	346	360	(A)	457	475	---	---	---
	OHL Output Shaft (B)	706	906	962	706	906	962	706	906	962	---	---	---
49.56	Output RPM	70	35	23	70	35	23	70	35	23	---	---	---
	Input HP (Max) (C)	2.21	1.20	0.83	2.47	1.49	0.99	2.47	1.49	0.99	---	---	---
	Output Torque, In-Lb	2000	2143	2222	2239	2655	2655	2239	2655	2655	---	---	---
	OHL Input Shaft (A)	210	210	219	(A)	346	360	(A)	457	475	---	---	---
	OHL Output Shaft (B)	706	962	962	706	962	962	706	962	962	---	---	---

(A) (B) (C) - See Footnote page on inside back cover

NOTE: Blank area (-) indicate configuration not available

NOMENCLATURE PAGE MSM-4	STOCK/NON-STOCK PART NUMBERS PAGE MSM-57	DIMENSIONS PAGE MSM-98	THERMAL RATINGS PAGE MSM-242
----------------------------	---	---------------------------	---------------------------------

SELECTION



MOTORIZED SHAFT MOUNT REDUCER (MSM) Service Factor 1.0 - Clamp Collar / 3 Pc Coupled / Separate DOUBLE REDUCTION

**SIZE: MW382
60 HZ**

NEMA MOTOR FRAME IEC MOTOR FRAME SEPARATE GROUP		56C 71D 71			--- 80D 80			140TC 90D 90			180TC 100D 100		
RATIO	OUTPUT RATING DATA	3450	1750	1160	3450	1750	1160	3450	1750	1160	3450	1750	1160
55.84	Output RPM	62	31	21	62	31	21	62	31	21	---	---	---
	Input HP (Max) (C)	2.00	1.09	0.75	2.29	1.32	0.88	2.29	1.32	0.88	---	---	---
	Output Torque, In-Lb	2045	2191	2271	2338	2655	2655	2338	2655	2655	---	---	---
	OHL Input Shaft (A)	211	219	(A)	346	360	(A)	457	476	---	---	---	---
	OHL Output Shaft (B)	906	962	962	906	962	962	906	962	962	---	---	---
62.40	Output RPM	55	28	19	55	28	19	55	28	19	---	---	---
	Input HP (Max) (C)	1.83	0.99	0.68	2.13	1.18	0.78	2.13	1.18	0.78	---	---	---
	Output Torque, In-Lb	2083	2232	2314	2433	2655	2655	2433	2655	2655	---	---	---
	OHL Input Shaft (A)	211	219	(A)	346	360	(A)	457	476	---	---	---	---
	OHL Output Shaft (B)	906	962	962	906	962	962	906	962	962	---	---	---
71.18	Output RPM	48	25	16	48	25	16	---	---	---	---	---	---
	Input HP (Max) (C)	1.63	0.89	0.61	1.79	1.04	0.67	---	---	---	---	---	---
	Output Torque, In-Lb	2125	2277	2361	2333	2655	2579	---	---	---	---	---	---
	OHL Input Shaft (A)	211	219	(A)	346	360	---	---	---	---	---	---	---
	OHL Output Shaft (B)	906	962	962	906	962	962	---	---	---	---	---	---
80.17	Output RPM	43	22	14	---	---	---	---	---	---	---	---	---
	Input HP (Max) (C)	1.34	0.80	0.5	---	---	---	---	---	---	---	---	---
	Output Torque, In-Lb	1963	2314	2169	---	---	---	---	---	---	---	---	---
	OHL Input Shaft (A)	211	220	---	---	---	---	---	---	---	---	---	---
	OHL Output Shaft (B)	962	962	962	---	---	---	---	---	---	---	---	---

(A) (B) (C) - See Footnote page on inside back cover
NOTE: Blank area (-) indicate configuration not available

NOMENCLATURE PAGE MSM-4	STOCK/NON-STOCK PART NUMBERS PAGE MSM-57	DIMENSIONS PAGE MSM-98	THERMAL RATINGS PAGE MSM-242
----------------------------	---	---------------------------	---------------------------------

MOTORIZED SHAFT MOUNT REDUCER (MSM) Service Factor 1.0 - Clamp Collar / 3 Pc Coupled / Separate TRIPLE REDUCTION

**SIZE: MW383
60 HZ**

NEMA MOTOR FRAME IEC MOTOR FRAME SEPARATE GROUP		56C 71D 71			--- 80D 80			140TC 90D 90		
RATIO	OUTPUT RATING DATA	3450	1750	1160	3450	1750	1160	3450	1750	1160
40.04	Output RPM	86	44	29	86	44	29	86	44	29
	Input HP (Max) (C)	3.96	2.02	1.34	3.96	2.03	1.34	3.96	2.03	1.34
	Output Torque, In-Lb	2895	2911	2911	2895	2921	2921	2895	2921	2921
	OHL Input Shaft (A)	209	218	218	(A)	346	360	(A)	453	471
	OHL Output Shaft (B)	706	906	962	706	906	962	706	906	962
44.05	Output RPM	78	40	26	78	40	26	78	40	26
	Input HP (Max) (C)	3.63	1.84	1.22	3.63	1.84	1.22	3.63	1.84	1.22
	Output Torque, In-Lb	2921	2921	2921	2921	2921	2921	2921	2921	2921
	OHL Input Shaft (A)	210	218	218	(A)	343	357	(A)	453	471
	OHL Output Shaft (B)	706	962	962	706	962	962	706	962	962
51.16	Output RPM	67	34	23	67	34	23	67	34	23
	Input HP (Max) (C)	3.12	1.59	1.05	3.12	1.59	1.05	3.12	1.59	1.05
	Output Torque, In-Lb	2921	2921	2921	2921	2921	2921	2921	2921	2921
	OHL Input Shaft (A)	210	218	218	(A)	343	357	(A)	455	473
	OHL Output Shaft (B)	706	962	962	706	962	962	706	962	962
55.40	Output RPM	62	32	21	62	32	21	62	32	21
	Input HP (Max) (C)	2.89	1.46	0.97	2.89	1.46	0.97	2.89	1.46	0.97
	Output Torque, In-Lb	2921	2921	2921	2921	2921	2921	2921	2921	2921
	OHL Input Shaft (A)	210	219	219	(A)	344	358	(A)	455	474
	OHL Output Shaft (B)	906	962	962	906	962	962	906	962	962
62.66	Output RPM	55	28	19	55	28	19	55	28	19
	Input HP (Max) (C)	2.55	1.29	0.86	2.55	1.29	0.86	2.55	1.29	0.86
	Output Torque, In-Lb	2921	2921	2921	2921	2921	2921	2921	2921	2921
	OHL Input Shaft (A)	211	219	219	(A)	345	359	(A)	456	474
	OHL Output Shaft (B)	906	962	962	906	962	962	906	962	962
68.86	Output RPM	50	25	17	50	25	17	50	25	17
	Input HP (Max) (C)	2.32	1.18	0.78	2.32	1.18	0.78	2.32	1.18	0.78
	Output Torque, In-Lb	2921	2921	2921	2921	2921	2921	2921	2921	2921
	OHL Input Shaft (A)	211	219	219	(A)	345	359	(A)	456	475
	OHL Output Shaft (B)	906	962	962	906	962	962	906	962	962
75.95	Output RPM	45	23	15	45	23	15	45	23	15
	Input HP (Max) (C)	2.11	1.07	0.71	2.11	1.07	0.71	2.11	1.07	0.71
	Output Torque, In-Lb	2921	2921	2921	2921	2921	2921	2921	2921	2921
	OHL Input Shaft (A)	211	220	220	(A)	346	359	(A)	457	475
	OHL Output Shaft (B)	906	962	962	906	962	962	906	962	962
84.13	Output RPM	41	21	14	41	21	14	41	21	14
	Input HP (Max) (C)	1.90	0.96	0.64	1.90	0.96	0.64	1.90	0.96	0.64
	Output Torque, In-Lb	2921	2921	2921	2921	2921	2921	2921	2921	2921
	OHL Input Shaft (A)	211	220	220	(A)	346	360	(A)	457	475
	OHL Output Shaft (B)	906	962	962	906	962	962	906	962	962
93.67	Output RPM	37	19	12	37	19	12	37	19	12
	Input HP (Max) (C)	1.71	0.87	0.57	1.71	0.87	0.57	1.71	0.87	0.57
	Output Torque, In-Lb	2921	2921	2921	2921	2921	2921	2921	2921	2921
	OHL Input Shaft (A)	211	220	220	(A)	346	360	(A)	457	475
	OHL Output Shaft (B)	962	962	962	962	962	962	962	962	962

(A) (B) (C) - See Footnote page on inside back cover
NOTE: Blank area (-) indicate configuration not available

NOMENCLATURE PAGE MSM-4	STOCK/NON-STOCK PART NUMBERS PAGE MSM-57	DIMENSIONS PAGE MSM-98	THERMAL RATINGS PAGE MSM-242
----------------------------	---	---------------------------	---------------------------------

MOTORIZED SHAFT MOUNT REDUCER (MSM) Service Factor 1.0 - Clamp Collar / 3 Pc Coupled / Separate TRIPLE REDUCTION

**SIZE: MW383
60 HZ**

NEMA MOTOR FRAME IEC MOTOR FRAME SEPARATE GROUP		56C 71D 71			--- 80D 80			140TC 90D 90		
RATIO	OUTPUT RATING DATA	3450	1750	1160	3450	1750	1160	3450	1750	1160
107.49	Output RPM	32	16	11	32	16	11	32	16	11
	Input HP (Max) (C)	1.49	0.75	0.50	1.49	0.75	0.50	1.49	0.75	0.50
	Output Torque, In-Lb	2921	2921	2921	2921	2921	2921	2921	2921	2921
	OHL Input Shaft (A)	211	220	(A)	346	360	(A)	457	475	(A)
	OHL Output Shaft (B)	962	962	962	962	962	962	962	962	962
118.98	Output RPM	29	15	10	29	15	10	29	15	10
	Input HP (Max) (C)	1.34	0.68	0.45	1.34	0.68	0.45	1.34	0.68	0.45
	Output Torque, In-Lb	2921	2921	2921	2921	2921	2921	2921	2921	2921
	OHL Input Shaft (A)	210	218	(A)	346	360	(A)	457	475	(A)
	OHL Output Shaft (B)	962	962	962	962	962	962	962	962	962
135.32	Output RPM	25	13	9	25	13	9	25	13	9
	Input HP (Max) (C)	1.18	0.60	0.40	1.18	0.60	0.40	1.18	0.60	0.40
	Output Torque, In-Lb	2921	2921	2921	2921	2921	2921	2921	2921	2921
	OHL Input Shaft (A)	210	218	(A)	346	360	(A)	457	476	(A)
	OHL Output Shaft (B)	962	962	962	962	962	962	962	962	962
154.43	Output RPM	22	11	8	22	11	8	22	11	8
	Input HP (Max) (C)	1.04	0.53	0.35	1.04	0.53	0.35	1.04	0.53	0.35
	Output Torque, In-Lb	2921	2921	2921	2921	2921	2921	2921	2921	2921
	OHL Input Shaft (A)	210	219	(A)	346	360	(A)	457	476	(A)
	OHL Output Shaft (B)	962	962	962	962	962	962	962	962	962
173.99	Output RPM	20	10	7	20	10	7	20	10	7
	Input HP (Max) (C)	0.92	0.47	0.31	0.92	0.47	0.31	0.92	0.47	0.31
	Output Torque, In-Lb	2921	2921	2921	2921	2921	2921	2921	2921	2921
	OHL Input Shaft (A)	211	219	(A)	346	360	(A)	457	476	(A)
	OHL Output Shaft (B)	962	962	962	962	962	962	962	962	962
194.43	Output RPM	18	9	6	18	9	6	18	9	6
	Input HP (Max) (C)	0.82	0.42	0.28	0.82	0.42	0.28	0.82	0.42	0.28
	Output Torque, In-Lb	2921	2921	2921	2921	2921	2921	2921	2921	2921
	OHL Input Shaft (A)	211	219	(A)	346	360	(A)	457	476	(A)
	OHL Output Shaft (B)	962	962	962	962	962	962	962	962	962
221.77	Output RPM	16	8	5	16	8	5	---	---	---
	Input HP (Max) (C)	0.72	0.37	0.24	0.72	0.37	0.24	---	---	---
	Output Torque, In-Lb	2921	2921	2921	2921	2921	2921	---	---	---
	OHL Input Shaft (A)	211	219	(A)	346	360	---	---	---	---
	OHL Output Shaft (B)	962	962	962	962	962	962	---	---	---
249.78	Output RPM	14	7	5	---	---	---	---	---	---
	Input HP (Max) (C)	0.64	0.32	0.22	---	---	---	---	---	---
	Output Torque, In-Lb	2921	2921	2921	---	---	---	---	---	---
	OHL Input Shaft (A)	211	219	---	---	---	---	---	---	---
	OHL Output Shaft (B)	962	962	962	---	---	---	---	---	---

(A) (B) (C) - See Footnote page on inside back cover
NOTE: Blank area (-) indicate configuration not available

NOMENCLATURE PAGE MSM-4	STOCK/NON-STOCK PART NUMBERS PAGE MSM-57	DIMENSIONS PAGE MSM-98	THERMAL RATINGS PAGE MSM-242
----------------------------	---	---------------------------	---------------------------------

MOTORIZED SHAFT MOUNT REDUCER (MSM)

Service Factor 1.0 - Clamp Collar / 3 Pc Coupled / Separate

DOUBLE REDUCTION

SIZE: MW482

60 HZ

NEMA MOTOR FRAME IEC MOTOR FRAME SEPARATE GROUP		56C 71D 71			--- 80D 80			140TC 90D 90			180TC 100D 100			--- 112D 112		
RATIO	OUTPUT RATING DATA	3450	1750	1160	3450	1750	1160	3450	1750	1160	3450	1750	1160	3450	1750	1160
7.95	Output RPM	---	---	---	434	220	146	434	220	146	434	220	146	434	220	146
	Input HP (Max) (C)	---	---	---	4.85	2.46	1.63	9.86	5.00	3.32	11.22	7.70	5.44	11.22	7.70	5.44
	Output Torque, In-Lb	---	---	---	703	703	703	1432	1432	1432	1628	2205	2348	1628	2205	2348
	OHL Input Shaft	---	---	---	(A)	346	360	(A)	453	471	(A)	710	738	(A)	843	877
	OHL Output Shaft (B)	---	---	---	(A)	1025	1098	(A)	1025	1098	(A)	1025	1098	(A)	1025	1098
9.55	Output RPM	---	---	---	361	183	122	361	183	122	361	183	122	361	183	122
	Input HP (Max) (C)	---	---	---	4.85	2.46	1.63	9.86	5.00	3.32	10.30	7.07	4.99	10.30	7.07	4.99
	Output Torque, In-Lb	---	---	---	845	845	845	1720	1720	1720	1796	2432	2590	1796	2432	2590
	OHL Input Shaft	---	---	---	(A)	346	360	(A)	454	472	(A)	711	738	(A)	843	877
	OHL Output Shaft (B)	---	---	---	(A)	1025	1098	(A)	1025	1098	(A)	1025	1098	(A)	1025	1098
11.24	Output RPM	---	---	---	307	156	103	307	156	103	307	156	103	307	156	103
	Input HP (Max) (C)	---	---	---	4.85	2.46	1.63	9.50	5.00	3.32	9.50	6.53	4.61	9.50	6.53	4.61
	Output Torque, In-Lb	---	---	---	995	995	995	1951	2025	2025	1951	2642	2814	1951	2642	2814
	OHL Input Shaft	---	---	---	(A)	346	360	(A)	452	470	(A)	708	738	(A)	843	877
	OHL Output Shaft (B)	---	---	---	(A)	1098	1098	(A)	1098	1098	(A)	1098	1098	(A)	1098	1098
12.59	Output RPM	274	139	92	274	139	92	274	139	92	274	139	92	274	139	92
	Input HP (Max) (C)	3.98	2.02	1.34	4.85	2.46	1.63	8.97	5.00	3.32	8.97	6.16	4.35	8.97	6.16	4.35
	Output Torque, In-Lb	916	916	916	1115	1115	1115	2063	2269	2269	2063	2793	2975	2063	2793	2975
	OHL Input Shaft	(A)	210	227	(A)	346	360	(A)	456	474	(A)	708	738	(A)	843	877
	OHL Output Shaft (B)	(A)	1098	1135	(A)	1098	1135	(A)	1098	1135	(A)	1098	1135	(A)	1098	1135
14.11	Output RPM	244	124	82	244	124	82	244	124	82	244	124	82	244	124	82
	Input HP (Max) (C)	3.98	2.02	1.34	4.85	2.46	1.63	8.44	5.00	3.25	8.44	5.80	4.10	8.44	5.80	4.10
	Output Torque, In-Lb	1026	1026	1026	1249	1249	1249	2177	2543	2494	2177	2948	3140	2177	2948	3140
	OHL Input Shaft	(A)	210	226	(A)	346	360	(A)	456	474	(A)	708	738	(A)	844	877
	OHL Output Shaft (B)	1025	1098	1135	1025	1098	1135	1025	1098	1135	1025	1098	1135	1025	1098	1135
15.41	Output RPM	224	114	75	224	114	75	224	114	75	224	114	75	224	114	75
	Input HP (Max) (C)	3.98	2.02	1.34	4.85	2.46	1.63	8.06	5.00	3.14	8.06	5.53	3.91	8.06	5.53	3.91
	Output Torque, In-Lb	1120	1120	1120	1364	1364	1364	2267	2776	2629	2267	3070	3270	2267	3070	3270
	OHL Input Shaft	(A)	210	228	(A)	346	360	(A)	455	475	(A)	709	739	(A)	844	877
	OHL Output Shaft (B)	1025	1098	1135	1025	1098	1135	1025	1098	1135	1025	1098	1135	1025	1098	1135
16.63	Output RPM	207	105	70	207	105	70	207	105	70	207	105	70	207	105	70
	Input HP (Max) (C)	3.98	2.02	1.34	4.85	2.46	1.63	9.72	5.00	3.24	9.72	6.48	4.55	9.72	6.48	4.55
	Output Torque, In-Lb	1209	1209	1209	1472	1472	1472	2955	2997	2925	2955	3882	4108	2955	3882	4108
	OHL Input Shaft	(A)	209	218	(A)	346	360	(A)	456	474	(A)	709	736	(A)	810	842
	OHL Output Shaft (B)	1025	1098	1135	1025	1098	1135	1025	1098	1135	1025	1098	1135	1025	1098	1135
19.34	Output RPM	178	90	60	178	90	60	178	90	60	178	90	60	178	90	60
	Input HP (Max) (C)	3.98	2.02	1.34	4.85	2.46	1.63	8.97	5.00	3.07	8.97	5.98	4.04	8.97	5.98	4.04
	Output Torque, In-Lb	1406	1406	1406	1712	1712	1712	3171	3485	3230	3171	4168	4248	3171	4168	4248
	OHL Input Shaft	(A)	211	219	(A)	346	360	(A)	456	475	(A)	710	738	(A)	810	844
	OHL Output Shaft (B)	1025	1135	1334	1025	1135	1334	1025	1135	1334	1025	1135	1334	1025	1135	1334

(A) (B) (C) - See Footnote page on inside back cover
 NOTE: Blank area (-) indicate configuration not available

NOMENCLATURE PAGE MSM-4	STOCK/NON-STOCK PART NUMBERS PAGE MSM-57	DIMENSIONS PAGE MSM-114	THERMAL RATINGS PAGE MSM-242
----------------------------	---	----------------------------	---------------------------------

MOTORIZED SHAFT MOUNT REDUCER (MSM) Service Factor 1.0 - Clamp Collar / 3 Pc Coupled / Separate DOUBLE REDUCTION

**SIZE: MW482
60 HZ**

NEMA MOTOR FRAME IEC MOTOR FRAME SEPARATE GROUP		56C 71D 71			--- 80D 80			140TC 90D 90			180TC 100D 100			--- 112D 112		
RATIO	OUTPUT RATING DATA	3450	1750	1160	3450	1750	1160	3450	1750	1160	3450	1750	1160	3450	1750	1160
21.46	Output RPM	161	82	54	161	82	54	161	82	54	161	82	54	161	82	54
	Input HP (Max) (C)	3.98	2.02	1.34	4.85	2.46	1.63	8.48	5.00	2.95	8.48	5.50	3.64	8.48	5.50	3.64
	Output Torque, In-Lb	1560	1560	1560	1899	1899	1899	3323	3867	3444	3323	4248	4248	3323	4248	4248
	OHL Input Shaft OHL Output Shaft (B)	(A) 1025	210 1135	219 1334	(A) 1025	346 1135	360 1334	(A) 1025	455 1135	475 1334	(A) 1025	708 1135	737 1334	(A) 1025	811 1135	845 1334
23.37	Output RPM	148	75	50	148	75	50	148	75	50	148	75	50	148	75	50
	Input HP (Max) (C)	3.98	2.02	1.34	4.85	2.46	1.63	8.08	4.99	2.85	8.08	5.05	3.35	8.08	5.05	3.35
	Output Torque, In-Lb	1699	1699	1699	2068	2068	2068	3451	4199	3623	3451	4248	4248	3451	4248	4248
	OHL Input Shaft OHL Output Shaft (B)	(A) 1098	210 1135	219 1334	(A) 1098	346 1135	360 1334	(A) 1098	456 1135	475 1334	(A) 1098	710 1135	739 1334	(A) 1098	812 1135	845 1334
26.14	Output RPM	132	67	44	132	67	44	132	67	44	132	67	44	132	67	44
	Input HP (Max) (C)	3.98	2.02	1.34	4.85	2.46	1.63	7.58	4.51	2.72	7.58	4.51	2.99	7.58	4.51	2.99
	Output Torque, In-Lb	1900	1900	1900	2313	2313	2313	3621	4248	3858	3621	4248	4248	3621	4248	4248
	OHL Input Shaft OHL Output Shaft (B)	(A) 1098	209 1135	218 1334	(A) 1098	346 1135	360 1334	(A) 1098	456 1135	475 1334	(A) 1098	711 1135	741 1334	(A) 1098	812 1135	846 1334
28.58	Output RPM	121	61	41	121	61	41	121	61	41	121	61	41	121	61	41
	Input HP (Max) (C)	3.97	2.02	1.33	4.85	2.46	1.63	7.20	4.13	2.61	7.20	4.13	2.74	7.20	4.13	2.74
	Output Torque, In-Lb	2071	2078	2062	2529	2529	2529	3758	4248	4047	3758	4248	4248	3758	4248	4248
	OHL Input Shaft OHL Output Shaft (B)	(A) 1098	210 1334	217 1334	(A) 1098	346 1334	360 1334	(A) 1098	456 1334	475 1334	(A) 1098	712 1334	741 1334	(A) 1098	812 1334	846 1334
31.36	Output RPM	110	56	37	110	56	37	110	56	37	110	56	37	110	56	37
	Input HP (Max) (C)	3.72	2.02	1.27	4.85	2.46	1.63	6.82	3.76	2.49	6.82	3.80	2.49	6.82	3.76	2.49
	Output Torque, In-Lb	2133	2280	2170	2776	2776	2776	3907	4248	4247	3907	4248	4248	3907	4248	4248
	OHL Input Shaft OHL Output Shaft (B)	(A) 1098	209 1334	217 1334	(A) 1098	345 1334	359 1334	(A) 1098	456 1334	475 1334	(A) 1098	713 1334	742 1334	(A) 1098	813 1334	846 1334
34.58	Output RPM	100	51	34	100	51	34	100	51	34	100	51	34	100	51	34
	Input HP (Max) (C)	3.47	1.98	1.21	4.85	2.46	1.63	6.43	3.41	2.26	6.43	3.41	2.26	6.43	3.41	2.26
	Output Torque, In-Lb	2194	2467	2282	3061	3061	3061	4061	4248	4248	4061	4248	4248	4061	4248	4248
	OHL Input Shaft OHL Output Shaft (B)	(A) 1098	210 1334	217 1334	(A) 1098	345 1334	359 1334	(A) 1098	457 1334	475 1334	(A) 1098	713 1334	743 1334	(A) 1098	813 1334	846 1334
38.33	Output RPM	90	46	30	90	46	30	90	46	30	90	46	30	90	46	30
	Input HP (Max) (C)	3.22	1.84	1.15	4.85	2.46	1.56	6.02	3.08	2.04	6.02	3.08	2.04	6.02	3.08	2.04
	Output Torque, In-Lb	2255	2537	2400	3393	3393	3251	4219	4248	4248	4219	4248	4248	4219	4248	4248
	OHL Input Shaft OHL Output Shaft (B)	(A) 1135	210 1334	217 1334	(A) 1135	344 1334	359 1334	(A) 1135	457 1334	471 1334	(A) 1135	714 1334	743 1334	(A) 1135	813 1334	846 1334
43.43	Output RPM	79	40	27	79	40	27	79	40	27	79	40	27	79	40	27
	Input HP (Max) (C)	2.93	1.67	1.08	4.85	2.46	1.46	5.36	2.72	1.80	5.36	2.72	1.80	5.36	2.72	1.80
	Output Torque, In-Lb	2326	2616	2543	3844	3844	3437	4248	4248	4248	4248	4248	4248	4248	4248	4248
	OHL Input Shaft OHL Output Shaft (B)	(A) 1135	209 1334	218 1334	(A) 1135	344 1334	359 1334	(A) 1135	454 1334	471 1334	(A) 1135	714 1334	743 1334	(A) 1135	813 1334	846 1334

(A) (B) (C) - See Footnote page on inside back cover
NOTE: Blank area (-) indicate configuration not available

NOMENCLATURE PAGE MSM-4	STOCK/NON-STOCK PART NUMBERS PAGE MSM-57	DIMENSIONS PAGE MSM-114	THERMAL RATINGS PAGE MSM-242
----------------------------	---	----------------------------	---------------------------------

SELECTION



MOTORIZED SHAFT MOUNT REDUCER (MSM)

Service Factor 1.0 - Clamp Collar / 3 Pc Coupled / Separate
DOUBLE REDUCTION

SIZE: MW482
60 HZ

NEMA MOTOR FRAME IEC MOTOR FRAME SEPARATE GROUP		56C 71D 71			--- 80D 80			140TC 90D 90			180TC 100D 100			--- 112D 112		
RATIO	OUTPUT RATING DATA	3450	1750	1160	3450	1750	1160	3450	1750	1160	3450	1750	1160	3450	1750	1160
47.92	Output RPM	72	37	24	72	37	24	72	37	24	72	37	24	72	37	24
	Input HP (Max) (C)	2.72	1.55	1.01	4.85	2.37	1.38	4.85	2.46	1.63	4.85	2.46	1.63	4.85	2.46	1.63
	Output Torque, In-Lb	2378	2675	2641	4241	4087	3586	4248	4248	4248	4248	4248	4248	4248	4248	4248
	OHL Input Shaft OHL Output Shaft (B)	(A) 209 1135	218 1334	218 1334	(A) 1135	343 1334	359 1334	(A) 1135	454 1334	472 1334	(A) 1135	714 1334	744 1334	(A) 1135	813 1334	846 1334
54.17	Output RPM	64	32	21	64	32	21	64	32	21	64	32	21	---	---	---
	Input HP (Max) (C)	2.46	1.41	0.92	4.29	2.18	1.28	4.29	2.18	1.44	4.29	2.18	1.44	---	---	---
	Output Torque, In-Lb	2439	2744	2710	4248	4248	3778	4248	4248	4248	4248	4248	4248	---	---	---
	OHL Input Shaft OHL Output Shaft (B)	(A) 211 1135	218 1334	218 1334	(A) 1135	343 1334	359 1334	(A) 1135	455 1334	473 1334	(A) 1135	715 1334	744 1334	---	---	---
61.86	Output RPM	56	28	19	56	28	19	56	28	19	---	---	---	---	---	---
	Input HP (Max) (C)	2.21	1.26	0.83	3.76	1.91	1.18	3.76	1.91	1.26	---	---	---	---	---	---
	Output Torque, In-Lb	2500	2812	2777	4248	4248	3976	4248	4248	4248	---	---	---	---	---	---
	OHL Input Shaft OHL Output Shaft (B)	(A) 211 1334	219 1334	219 1334	(A) 1334	344 1334	359 1334	(A) 1334	455 1334	474 1334	---	---	---	---	---	---
70.33	Output RPM	49	25	16	49	25	16	49	25	16	---	---	---	---	---	---
	Input HP (Max) (C)	1.99	1.13	0.74	3.31	1.68	1.09	3.31	1.68	1.11	---	---	---	---	---	---
	Output Torque, In-Lb	2554	2873	2837	4248	4248	4148	4248	4248	4248	---	---	---	---	---	---
	OHL Input Shaft OHL Output Shaft (B)	(A) 211 1334	219 1334	219 1334	(A) 1334	345 1334	359 1334	(A) 1334	456 1334	475 1334	---	---	---	---	---	---
75.27	Output RPM	46	23	15	46	23	15	46	23	15	---	---	---	---	---	---
	Input HP (Max) (C)	1.88	1.07	0.70	2.91	1.57	1.04	2.91	1.57	1.04	---	---	---	---	---	---
	Output Torque, In-Lb	2580	2904	2867	4002	4248	4248	3995	4248	4248	---	---	---	---	---	---
	OHL Input Shaft OHL Output Shaft (B)	(A) 211 1334	219 1334	219 1334	(A) 1334	345 1334	359 1334	(A) 1334	456 1334	475 1334	---	---	---	---	---	---
86.77	Output RPM	40	20	13	40	20	13	---	---	---	---	---	---	---	---	---
	Input HP (Max) (C)	1.66	0.75	0.62	1.87	1.36	0.69	---	---	---	---	---	---	---	---	---
	Output Torque, In-Lb	2632	2961	2924	2959	4248	3271	---	---	---	---	---	---	---	---	---
	OHL Input Shaft OHL Output Shaft (B)	(A) 211 1334	219 1334	219 1334	(A) 1334	346 1334	360 1334	---	---	---	---	---	---	---	---	---

(A) (B) (C) - See Footnote page on inside back cover
NOTE: Blank area (-) indicate configuration not available

NOMENCLATURE PAGE MSM-4	STOCK/NON-STOCK PART NUMBERS PAGE MSM-57	DIMENSIONS PAGE MSM-114	THERMAL RATINGS PAGE MSM-242
----------------------------	---	----------------------------	---------------------------------

MOTORIZED SHAFT MOUNT REDUCER (MSM) Service Factor 1.0 - Clamp Collar / 3 Pc Coupled / Separate TRIPLE REDUCTION

**SIZE: MW483
60 HZ**

NEMA MOTOR FRAME IEC MOTOR FRAME SEPARATE GROUP		56C 71D 71			--- 80D 80			140TC 90D 90			180TC 100D 100		
RATIO	OUTPUT RATING DATA	3450	1750	1160	3450	1750	1160	3450	1750	1160	3450	1750	1160
40.99	Output RPM	84	43	28	84	43	28	84	43	28	84	43	28
	Input HP (Max) (C)	3.98	2.02	1.34	4.13	2.46	1.63	4.13	2.83	2.00	4.13	2.83	2.00
	Output Torque, In-Lb	2980	2980	2980	3089	3628	3628	3089	4182	4455	3089	4182	4455
	OHL Input Shaft (A)	209	218	(A)	346	360	(A)	457	475	(A)	708	737	
	OHL Output Shaft (B)	1135	1334	1334	1135	1334	1334	1135	1334	1334	1135	1334	1334
47.66	Output RPM	72	37	24	72	37	24	72	37	24	72	37	24
	Input HP (Max) (C)	3.73	2.02	1.34	3.73	2.46	1.63	3.73	2.56	1.81	3.73	2.56	1.81
	Output Torque, In-Lb	3249	3465	3465	3249	4219	4219	3249	4398	4687	3249	4398	4687
	OHL Input Shaft (A)	211	219	(A)	346	360	(A)	457	475	(A)	709	738	
	OHL Output Shaft (B)	1135	1334	1334	1135	1334	1334	1135	1334	1334	1135	1334	1334
52.88	Output RPM	65	33	22	65	33	22	65	33	22	65	33	22
	Input HP (Max) (C)	3.48	2.02	1.34	3.48	2.39	1.63	3.48	2.39	1.66	3.48	2.39	1.66
	Output Torque, In-Lb	3364	3845	3845	3364	4555	4681	3364	4555	4780	3364	4555	4780
	OHL Input Shaft (A)	210	219	(A)	346	360	(A)	457	476	(A)	710	738	
	OHL Output Shaft (B)	1135	1334	1334	1135	1334	1334	1135	1334	1334	1135	1334	1334
57.59	Output RPM	60	30	20	60	30	20	60	30	20	60	30	20
	Input HP (Max) (C)	3.29	2.02	1.34	3.29	2.26	1.53	3.29	2.26	1.53	3.29	2.26	1.53
	Output Torque, In-Lb	3460	4187	4187	3460	4686	4780	3460	4686	4780	3460	4686	4780
	OHL Input Shaft (A)	210	219	(A)	346	360	(A)	457	476	(A)	710	739	
	OHL Output Shaft (B)	1334	1334	1334	1334	1334	1334	1334	1334	1334	1334	1334	1334
64.41	Output RPM	54	27	18	54	27	18	54	27	18	54	27	18
	Input HP (Max) (C)	3.05	2.02	1.34	3.05	2.06	1.37	3.05	2.06	1.37	3.05	2.06	1.37
	Output Torque, In-Lb	3592	4683	4683	3592	4780	4780	3592	4780	4780	3592	4780	4780
	OHL Input Shaft (A)	209	218	(A)	346	360	(A)	457	476	(A)	711	740	
	OHL Output Shaft (B)	1334	1334	1334	1334	1334	1334	1334	1334	1334	1334	1334	1334
70.42	Output RPM	49	25	16	49	25	16	49	25	16	49	25	16
	Input HP (Max) (C)	2.88	1.88	1.25	2.88	1.88	1.25	2.88	1.88	1.25	2.88	1.88	1.25
	Output Torque, In-Lb	3700	4780	4780	3700	4780	4780	3700	4780	4780	3700	4780	4780
	OHL Input Shaft (A)	210	218	(A)	346	360	(A)	457	476	(A)	712	741	
	OHL Output Shaft (B)	1334	1334	1334	1334	1334	1334	1334	1334	1334	1334	1334	1334
77.29	Output RPM	45	23	15	45	23	15	45	23	15	45	23	15
	Input HP (Max) (C)	2.70	1.72	1.14	2.70	1.72	1.14	2.70	1.72	1.14	2.70	1.72	1.14
	Output Torque, In-Lb	3817	4780	4780	3817	4780	4780	3817	4780	4780	3817	4780	4780
	OHL Input Shaft (A)	210	219	(A)	346	360	(A)	457	476	(A)	713	742	
	OHL Output Shaft (B)	1334	1334	1334	1334	1334	1334	1334	1334	1334	1334	1334	1334
85.22	Output RPM	40	21	14	40	21	14	40	21	14	40	21	14
	Input HP (Max) (C)	2.53	1.56	1.03	2.53	1.56	1.03	2.53	1.56	1.03	2.53	1.56	1.03
	Output Torque, In-Lb	3944	4780	4780	3944	4780	4780	3944	4780	4780	3944	4780	4780
	OHL Input Shaft (A)	211	219	(A)	346	360	(A)	453	472	(A)	713	742	
	OHL Output Shaft (B)	1334	1334	1334	1334	1334	1334	1334	1334	1334	1334	1334	1334

(A) (B) (C) - See Footnote page on inside back cover
NOTE: Blank area (-) indicate configuration not available

NOMENCLATURE PAGE MSM-4	STOCK/NON-STOCK PART NUMBERS PAGE MSM-57	DIMENSIONS PAGE MSM-114	THERMAL RATINGS PAGE MSM-242
----------------------------	---	----------------------------	---------------------------------

MOTORIZED SHAFT MOUNT REDUCER (MSM)

Service Factor 1.0 - Clamp Collar / 3 Pc Coupled / Separate
TRIPLE REDUCTION

SIZE: MW483
60 HZ

NEMA MOTOR FRAME IEC MOTOR FRAME SEPARATE GROUP		56C 71D 71			--- 80D 80			140TC 90D 90			180TC 100D 100		
RATIO	OUTPUT RATING DATA	3450	1750	1160	3450	1750	1160	3450	1750	1160	3450	1750	1160
94.46	Output RPM	37	19	12	37	19	12	37	19	12	37	19	12
	Input HP (Max) (C)	2.36	1.40	0.93	2.36	1.40	0.93	2.36	1.40	0.93	2.36	1.40	0.93
	Output Torque, In-Lb	4081	4780	4780	4081	4780	4780	4081	4780	4780	4081	4780	4780
	OHL Input Shaft (A)	211	219	(A)	346	357	(A)	454	472	(A)	713	742	
	OHL Output Shaft (B)	1334	1334	1334	1334	1334	1334	1334	1334	1334	1334	1334	1334
107.02	Output RPM	32	16	11	32	16	11	32	16	11	32	16	11
	Input HP (Max) (C)	2.18	1.24	0.82	2.18	1.24	0.82	2.18	1.24	0.82	2.18	1.24	0.82
	Output Torque, In-Lb	4255	4780	4780	4255	4780	4780	4255	4780	4780	4255	4780	4780
	OHL Input Shaft (A)	209	218	(A)	343	357	(A)	455	473	(A)	714	743	
	OHL Output Shaft (B)	1334	1334	1334	1334	1334	1334	1334	1334	1334	1334	1334	1334
118.08	Output RPM	29	15	10	29	15	10	29	15	10	29	15	10
	Input HP (Max) (C)	2.04	1.12	0.74	2.04	1.12	0.74	2.04	1.12	0.74	2.04	1.12	0.74
	Output Torque, In-Lb	4396	4780	4780	4396	4780	4780	4396	4780	4780	4396	4780	4780
	OHL Input Shaft (A)	209	218	(A)	344	358	(A)	455	474	(A)	714	743	
	OHL Output Shaft (B)	1334	1334	1334	1334	1334	1334	1334	1334	1334	1334	1334	1334
133.5	Output RPM	26	13	9	26	13	9	26	13	9	26	13	9
	Input HP (Max) (C)	1.88	0.99	0.66	1.88	0.99	0.66	1.88	0.99	0.66	1.88	0.99	0.66
	Output Torque, In-Lb	4579	4780	4780	4579	4780	4780	4579	4780	4780	4579	4780	4780
	OHL Input Shaft (A)	210	218	(A)	345	359	(A)	456	474	(A)	714	743	
	OHL Output Shaft (B)	1334	1334	1334	1334	1334	1334	1334	1334	1334	1334	1334	1334
152.43	Output RPM	23	11	8	23	11	8	23	11	8	---	---	---
	Input HP (Max) (C)	1.72	0.87	0.58	1.72	0.87	0.58	1.72	0.87	0.58	---	---	---
	Output Torque, In-Lb	4780	4780	4780	4780	4780	4780	4780	4780	4780	---	---	---
	OHL Input Shaft (A)	210	219	(A)	345	359	(A)	456	475	---	---	---	---
	OHL Output Shaft (B)	1334	1334	1334	1334	1334	1334	1334	1334	1334	---	---	---
173.31	Output RPM	20	10	7	20	10	7	20	10	7	---	---	---
	Input HP (Max) (C)	1.51	0.77	0.51	1.51	0.77	0.51	1.51	0.77	0.51	---	---	---
	Output Torque, In-Lb	4780	4780	4780	4780	4780	4780	4780	4780	4780	---	---	---
	OHL Input Shaft (A)	211	219	(A)	346	359	(A)	457	475	---	---	---	---
	OHL Output Shaft (B)	1334	1334	1334	1334	1334	1334	1334	1334	1334	---	---	---
185.49	Output RPM	19	9	6	19	9	6	19	9	6	---	---	---
	Input HP (Max) (C)	1.41	0.72	0.47	1.41	0.72	0.47	1.41	0.72	0.47	---	---	---
	Output Torque, In-Lb	4780	4780	4780	4780	4780	4780	4780	4780	4780	---	---	---
	OHL Input Shaft (A)	211	219	(A)	346	360	(A)	457	475	---	---	---	---
	OHL Output Shaft (B)	1334	1334	1334	1334	1334	1334	1334	1334	1334	---	---	---
213.83	Output RPM	16	8	5	16	8	5	---	---	---	---	---	---
	Input HP (Max) (C)	1.22	0.62	0.41	1.22	0.62	0.41	---	---	---	---	---	---
	Output Torque, In-Lb	4780	4780	4780	4780	4780	4780	---	---	---	---	---	---
	OHL Input Shaft (A)	211	220	(A)	346	360	---	---	---	---	---	---	---
	OHL Output Shaft (B)	1334	1334	1334	1334	1334	1334	---	---	---	---	---	---

(A) (B) (C) - See Footnote page on inside back cover
NOTE: Blank area (-) indicate configuration not available

NOMENCLATURE PAGE MSM-4	STOCK/NON-STOCK PART NUMBERS PAGE MSM-57	DIMENSIONS PAGE MSM-114	THERMAL RATINGS PAGE MSM-242
----------------------------	---	----------------------------	---------------------------------

MOTORIZED SHAFT MOUNT REDUCER (MSM)

Service Factor 1.0 - Clamp Collar / 3 Pc Coupled / Separate
DOUBLE REDUCTION

SIZE: MW682
60 HZ

NEMA MOTOR FRAME IEC MOTOR FRAME SEPARATE GROUP		56C 71D 71			--- 80D 80			140TC 90D 90			180TC 100D 100			--- 112D 112			210TC 132D 132		
RATIO	OUTPUT RATING DATA	3450	1750	1160	3450	1750	1160	3450	1750	1160	3450	1750	1160	3450	1750	1160	3450	1750	1160
6.65	Output RPM	---	---	---	---	---	---	---	---	---	519	263	174	519	263	174	519	263	174
	Input HP (Max) (C)	---	---	---	---	---	---	---	---	---	20.42	10.36	6.87	27.34	13.87	9.19	49.21	26.92	15.00
	Output Torque, In-Lb	---	---	---	---	---	---	---	---	---	2481	2481	2481	3322	3322	3322	5979	6447	5420
	OHL Input Shaft	---	---	---	---	---	---	---	---	---	(A)	713	742	(A)	843	877	(A)	947	994
	OHL Output Shaft (B)	---	---	---	---	---	---	---	---	---	(A)	2500	2500	(A)	2500	2500	(A)	2500	2500
8.02	Output RPM	---	---	---	---	---	---	---	---	---	430	218	145	430	218	145	430	218	145
	Input HP (Max) (C)	---	---	---	---	---	---	---	---	---	20.42	10.36	6.87	27.34	13.87	9.19	45.03	25.38	14.14
	Output Torque, In-Lb	---	---	---	---	---	---	---	---	---	2993	2993	2993	4008	4008	4008	6601	7333	6166
	OHL Input Shaft	---	---	---	---	---	---	---	---	---	(A)	713	742	(A)	843	877	(A)	946	994
	OHL Output Shaft (B)	---	---	---	---	---	---	---	---	---	(A)	2500	2500	(A)	2500	2500	(A)	2500	2500
9.63	Output RPM	---	---	---	358	182	120	358	182	120	358	182	120	358	182	120	358	182	120
	Input HP (Max) (C)	---	---	---	4.85	2.46	1.63	9.86	5.00	3.32	20.42	10.36	6.87	27.34	13.87	8.76	41.10	23.74	13.23
	Output Torque, In-Lb	---	---	---	852	852	852	1735	1735	1735	3592	3592	3592	4809	4809	4809	7230	8231	6922
	OHL Input Shaft	---	---	---	(A)	346	360	(A)	453	473	(A)	711	740	(A)	840	877	(A)	953	995
	OHL Output Shaft (B)	---	---	---	(A)	2500	2500	(A)	2500	2500	(A)	2500	2500	(A)	2500	2500	(A)	2500	2500
11.29	Output RPM	---	---	---	306	155	103	306	155	103	306	155	103	306	155	103	306	155	103
	Input HP (Max) (C)	---	---	---	4.85	2.46	1.63	9.86	5.00	3.32	20.42	10.36	6.62	27.34	13.87	8.26	37.77	21.52	12.37
	Output Torque, In-Lb	---	---	---	999	999	999	2034	2034	2034	4210	4062	5637	5637	5068	7788	8746	7588	
	OHL Input Shaft	---	---	---	(A)	346	360	(A)	454	471	(A)	707	739	(A)	836	876	(A)	947	995
	OHL Output Shaft (B)	---	---	---	(A)	2500	2500	(A)	2500	2500	(A)	2500	2500	(A)	2500	2500	(A)	2500	2500
13.45	Output RPM	---	---	---	256	130	86	256	130	86	256	130	86	256	130	86	256	130	86
	Input HP (Max) (C)	---	---	---	4.85	2.46	1.63	9.86	5.00	3.32	20.42	10.36	6.18	27.34	13.74	7.68	34.29	18.27	11.42
	Output Torque, In-Lb	---	---	---	1191	1191	1191	2424	2424	2424	5018	5018	4516	6719	6656	5614	8428	8851	8346
	OHL Input Shaft	---	---	---	(A)	346	360	(A)	456	474	(A)	708	739	(A)	838	876	(A)	953	995
	OHL Output Shaft (B)	---	---	---	2500	2500	2500	2500	2500	2500	2500	2500	2500	2500	2500	2500	2500	2500	2500
14.59	Output RPM	236	120	80	236	120	80	236	120	80	236	120	80	236	120	80	236	120	80
	Input HP (Max) (C)	3.98	2.02	1.34	4.85	2.46	1.63	9.86	5.00	3.25	20.42	10.36	5.96	27.34	13.24	7.40	32.35	16.85	11.00
	Output Torque, In-Lb	1061	1061	1061	1291	1291	1291	2629	2629	2577	5442	5442	4728	7287	6958	5869	8622	8851	8720
	OHL Input Shaft	(A)	218	227	(A)	346	360	(A)	456	474	(A)	712	738	(A)	828	876	(A)	954	994
	OHL Output Shaft (B)	2500	2500	2500	2500	2500	2500	2500	2500	2500	2500	2500	2500	2500	2500	2500	2500	2500	2500
16.28	Output RPM	212	107	71	212	107	71	212	107	71	212	107	71	212	107	71	212	107	71
	Input HP (Max) (C)	3.98	2.02	1.34	4.85	2.46	1.63	9.86	5.00	3.11	20.42	9.94	5.67	27.31	12.57	7.03	29.42	15.09	10.00
	Output Torque, In-Lb	1184	1184	1184	1441	1441	1441	2934	2934	2749	6074	5831	5015	8124	7373	6219	8752	8851	8851
	OHL Input Shaft	(A)	217	226	(A)	346	360	(A)	456	475	(A)	695	738	(A)	773	876	(A)	956	996
	OHL Output Shaft (B)	2500	2500	2500	2500	2500	2500	2500	2500	2500	2500	2500	2500	2500	2500	2500	2500	2500	2500
17.64	Output RPM	196	99	66	196	99	66	196	99	66	196	99	66	196	99	66	196	99	66
	Input HP (Max) (C)	3.98	2.02	1.34	4.85	2.46	1.63	9.86	5.00	3.00	19.59	9.56	5.45	25.69	12.09	6.76	27.47	13.93	9.24
	Output Torque, In-Lb	1282	1282	1282	1561	1561	1561	3178	3178	2874	6312	6073	5224	8278	7682	6479	8851	8851	8851
	OHL Input Shaft	(A)	219	228	(A)	346	360	(A)	455	474	(A)	660	738	(A)	729	876	(A)	957	996
	OHL Output Shaft (B)	2500	2500	2500	2500	2500	2500	2500	2500	2500	2500	2500	2500	2500	2500	2500	2500	2500	2500

(A) (B) (C) - See Footnote page on inside back cover
NOTE: Blank area (-) indicate configuration not available

NOMENCLATURE PAGE MSM-4	STOCK/NON-STOCK PART NUMBERS PAGE MSM-57	DIMENSIONS PAGE MSM-130	THERMAL RATINGS PAGE MSM-242
----------------------------	---	----------------------------	---------------------------------

MOTORIZED SHAFT MOUNT REDUCER (MSM)

Service Factor 1.0 - Clamp Collar / 3 Pc Coupled / Separate

DOUBLE REDUCTION

SIZE: MW682
60 HZ

NEMA MOTOR FRAME IEC MOTOR FRAME SEPARATE GROUP		56C 71D 71			--- 80D 80			140TC 90D 90			180TC 100D 100			--- 112D 112			210TC 132D 132		
RATIO	OUTPUT RATING DATA	3450	1750	1160	3450	1750	1160	3450	1750	1160	3450	1750	1160	3450	1750	1160	3450	1750	1160
19.99	Output RPM	173	88	58	173	88	58	173	88	58	173	88	58	173	88	58	173	88	58
	Input HP (Max) (C)	3.98	2.02	1.34	4.85	2.46	1.63	9.86	4.94	2.82	17.85	8.97	5.11	23.30	11.35	6.35	24.24	12.29	8.15
	Output Torque, In-Lb	1453	1453	1453	1769	1769	1769	3602	3556	3067	6519	6456	5553	8508	8173	6894	8851	8851	8851
	OHL Input Shaft OHL Output Shaft (B)	(A) 218 2500	227 2500	(A) 227 2500	(A) 346 2500	360 2500	(A) 360 2500	(A) 454 2500	474 2500	(A) 474 2500	(A) 602 2500	738 2500	(A) 738 2500	(A) 659 2500	875 2500	(A) 875 2500	(A) 958 2500	958 2500	997 2500
21.54	Output RPM	160	81	54	160	81	54	160	81	54	160	81	54	160	81	54	160	81	54
	Input HP (Max) (C)	3.98	2.02	1.34	4.85	2.46	1.63	9.86	4.76	2.72	16.87	8.63	4.92	21.95	10.96	6.13	22.50	11.41	7.56
	Output Torque, In-Lb	1566	1566	1566	1906	1906	1906	3880	3688	3182	6636	6695	5759	8635	8501	7171	8851	8851	8851
	OHL Input Shaft OHL Output Shaft (B)	(A) 218 2500	227 2500	(A) 227 2500	(A) 346 2500	359 2500	(A) 359 2500	(A) 454 2500	474 2500	(A) 474 2500	(A) 566 2500	738 2500	(A) 738 2500	(A) 610 2500	875 2500	(A) 875 2500	(A) 958 2500	958 2500	997 2500
23.29	Output RPM	148	75	50	148	75	50	148	75	50	148	75	50	148	75	50	148	75	50
	Input HP (Max) (C)	3.98	2.02	1.34	4.85	2.46	1.63	9.86	4.56	2.61	15.88	8.29	4.73	20.60	10.55	5.91	20.81	10.55	7.00
	Output Torque, In-Lb	1693	1693	1693	2061	2061	2061	4196	3827	3301	6754	6952	5980	8763	8851	7472	8851	8851	8851
	OHL Input Shaft OHL Output Shaft (B)	(A) 217 2500	226 2500	(A) 226 2500	(A) 345 2500	359 2500	(A) 359 2500	(A) 454 2500	474 2500	(A) 474 2500	(A) 525 2500	737 2500	(A) 737 2500	(A) 556 2500	875 2500	(A) 875 2500	(A) 958 2500	958 2500	997 2500
26.75	Output RPM	129	65	43	129	65	43	129	65	43	129	65	43	129	65	43	129	65	43
	Input HP (Max) (C)	3.98	2.02	1.34	4.85	2.46	1.63	9.86	5.00	3.32	11.92	7.81	5.18	11.92	7.81	5.18	11.92	7.81	5.18
	Output Torque, In-Lb	1945	1945	1945	2368	2368	2368	4820	4820	4820	5828	7523	7523	5828	7523	7523	5828	7523	7523
	OHL Input Shaft OHL Output Shaft (B)	(A) 219 2500	228 2500	(A) 228 2500	(A) 346 2500	360 2500	(A) 360 2500	(A) 455 2500	474 2500	(A) 474 2500	(A) 710 2500	740 2500	(A) 740 2500	(A) 837 2500	872 2500	(A) 872 2500	(A) 958 2500	958 2500	997 2500
29.37	Output RPM	117	60	40	117	60	40	117	60	40	117	60	40	117	60	40	117	60	40
	Input HP (Max) (C)	3.98	2.02	1.34	4.85	2.46	1.63	9.86	5.00	3.28	11.15	7.11	4.72	11.15	7.11	4.72	11.15	7.11	4.72
	Output Torque, In-Lb	2135	2135	2135	2599	2599	2599	5291	5291	5232	5979	7523	7523	5979	7523	7523	5979	7523	7523
	OHL Input Shaft OHL Output Shaft (B)	(A) 219 2500	228 2500	(A) 228 2500	(A) 346 2500	360 2500	(A) 360 2500	(A) 454 2500	473 2500	(A) 473 2500	(A) 712 2500	741 2500	(A) 741 2500	(A) 839 2500	871 2500	(A) 871 2500	(A) 958 2500	958 2500	997 2500
32.34	Output RPM	107	54	36	107	54	36	107	54	36	107	54	36	107	54	36	107	54	36
	Input HP (Max) (C)	3.98	2.02	1.34	4.85	2.46	1.63	9.86	5.00	3.10	10.40	6.46	4.28	10.40	6.46	4.28	10.40	6.46	4.28
	Output Torque, In-Lb	2351	2351	2351	2862	2862	2862	5826	5826	5450	6142	7523	7523	6142	7523	7523	6142	7523	7523
	OHL Input Shaft OHL Output Shaft (B)	(A) 218 2500	227 2500	(A) 227 2500	(A) 346 2500	360 2500	(A) 360 2500	(A) 453 2500	473 2500	(A) 473 2500	(A) 713 2500	742 2500	(A) 742 2500	(A) 838 2500	873 2500	(A) 873 2500	(A) 958 2500	958 2500	998 2500
35.10	Output RPM	98	50	33	98	50	33	98	50	33	98	50	33	98	50	33	98	50	33
	Input HP (Max) (C)	3.98	2.02	1.34	4.85	2.46	1.63	9.80	5.00	2.97	9.80	5.95	3.95	9.80	5.95	3.95	9.80	5.95	3.95
	Output Torque, In-Lb	2552	2552	2552	3106	3106	3106	6283	6324	5657	6283	7523	7523	6283	7523	7523	6283	7523	7523
	OHL Input Shaft OHL Output Shaft (B)	(A) 217 2500	226 2500	(A) 226 2500	(A) 346 2500	360 2500	(A) 360 2500	(A) 452 2500	473 2500	(A) 473 2500	(A) 713 2500	742 2500	(A) 742 2500	(A) 840 2500	875 2500	(A) 875 2500	(A) 959 2500	959 2500	998 2500
38.25	Output RPM	90	46	30	90	46	30	90	46	30	90	46	30	90	46	30	90	46	30
	Input HP (Max) (C)	3.87	2.02	1.34	4.85	2.46	1.63	9.21	4.94	2.83	9.21	5.46	3.62	9.21	5.46	3.62	9.21	5.46	3.62
	Output Torque, In-Lb	2701	2781	2781	3386	3386	3386	6437	6808	5873	6437	7523	7523	6437	7523	7523	6437	7523	7523
	OHL Input Shaft OHL Output Shaft (B)	(A) 218 2500	227 2500	(A) 227 2500	(A) 346 2500	359 2500	(A) 359 2500	(A) 452 2500	473 2500	(A) 473 2500	(A) 714 2500	743 2500	(A) 743 2500	(A) 841 2500	876 2500	(A) 876 2500	(A) 959 2500	959 2500	998 2500

(A) (B) (C) - See Footnote page on inside back cover
NOTE: Blank area (-) indicate configuration not available

NOMENCLATURE PAGE MSM-4	STOCK/NON-STOCK PART NUMBERS PAGE MSM-57	DIMENSIONS PAGE MSM-130	THERMAL RATINGS PAGE MSM-242
----------------------------	---	----------------------------	---------------------------------

MOTORIZED SHAFT MOUNT REDUCER (MSM)

Service Factor 1.0 - Clamp Collar / 3 Pc Coupled / Separate
DOUBLE REDUCTION

SIZE: MW682
60 HZ

NEMA MOTOR FRAME IEC MOTOR FRAME SEPARATE GROUP		56C 71D 71			--- 80D 80			140TC 90D 90			180TC 100D 100			--- 112D 112			210TC 132D 132		
RATIO	OUTPUT RATING DATA	3450	1750	1160	3450	1750	1160	3450	1750	1160	3450	1750	1160	3450	1750	1160	3450	1750	1160
41.89	Output RPM	82	42	28	82	42	28	82	42	28	82	42	28	82	42	28	82	42	28
	Input HP (Max) (C)	3.61	1.96	1.34	4.85	2.46	1.63	8.63	4.75	2.71	8.63	4.99	3.31	8.63	4.99	3.31	8.63	4.99	3.31
	Output Torque, In-Lb	2760	2964	3046	3708	3708	3708	6604	7159	6177	6604	7523	7523	6604	7523	7523	6604	7523	7523
	OHL Input Shaft	(A)	218	226	(A)	345	359	(A)	454	473	(A)	714	743	(A)	842	877	(A)	959	998
	OHL Output Shaft (B)	2500	2500	2500	2500	2500	2500	2500	2500	2500	2500	2500	2500	2500	2500	2500	2500	2500	2500
46.14	Output RPM	75	38	25	75	38	25	75	38	25	75	38	25	75	38	25	75	38	25
	Input HP (Max) (C)	3.34	1.82	1.25	4.85	2.46	1.63	8.05	4.53	2.59	8.05	4.53	3.00	8.05	4.53	3.00	8.05	4.53	3.00
	Output Torque, In-Lb	2819	3028	3130	4084	4084	4084	6789	7523	6500	6789	7523	7523	6789	7523	7523	6789	7523	7523
	OHL Input Shaft	(A)	218	226	(A)	345	359	(A)	454	473	(A)	714	737	(A)	843	877	(A)	959	998
	OHL Output Shaft (B)	2500	2500	2500	2500	2500	2500	2500	2500	2500	2500	2500	2500	2500	2500	2500	2500	2500	2500
53.07	Output RPM	65	33	22	65	33	22	65	33	22	65	33	22	65	33	22	---	---	---
	Input HP (Max) (C)	2.99	1.63	1.12	4.85	2.46	1.63	7.29	3.94	2.47	7.29	3.94	2.61	7.29	3.94	2.61	---	---	---
	Output Torque, In-Lb	2900	3114	3220	4697	4697	4697	7066	7523	7111	7066	7523	7523	7066	7523	7523	---	---	---
	OHL Input Shaft	(A)	218	226	(A)	344	358	(A)	453	472	(A)	709	739	(A)	844	878	---	---	---
	OHL Output Shaft (B)	2500	2500	2500	2500	2500	2500	2500	2500	2500	2500	2500	2500	2500	2500	2500	---	---	---
57.49	Output RPM	60	30	20	60	30	20	60	30	20	60	30	20	60	30	20	---	---	---
	Input HP (Max) (C)	2.80	1.53	1.05	4.85	2.46	1.63	6.89	3.63	2.36	6.89	3.63	2.41	6.89	3.63	2.41	---	---	---
	Output Torque, In-Lb	2943	3160	3266	5088	5088	5088	7231	7523	7371	7231	7523	7523	7231	7523	7523	---	---	---
	OHL Input Shaft	(A)	218	227	(A)	343	357	(A)	453	472	(A)	711	740	(A)	844	878	---	---	---
	OHL Output Shaft (B)	2500	2500	2500	2500	2500	2500	2500	2500	2500	2500	2500	2500	2500	2500	2500	---	---	---
63.54	Output RPM	54	28	18	54	28	18	54	28	18	54	28	18	---	---	---	---	---	---
	Input HP (Max) (C)	2.58	1.40	0.96	4.85	2.46	1.63	6.41	3.29	2.18	6.41	3.29	2.18	---	---	---	---	---	---
	Output Torque, In-Lb	2993	3215	3322	5624	5624	5624	7442	7523	7523	7442	7523	7523	---	---	---	---	---	---
	OHL Input Shaft	(A)	218	227	(A)	343	356	(A)	453	472	(A)	712	741	---	---	---	---	---	---
	OHL Output Shaft (B)	2500	2500	2500	2500	2500	2500	2500	2500	2500	2500	2500	2500	---	---	---	---	---	---
74.13	Output RPM	47	24	16	47	24	16	47	24	16	---	---	---	---	---	---	---	---	---
	Input HP (Max) (C)	2.26	1.23	0.84	4.85	2.46	1.63	5.56	2.82	1.87	---	---	---	---	---	---	---	---	---
	Output Torque, In-Lb	3063	3291	3400	6561	6561	6561	7523	7523	7523	---	---	---	---	---	---	---	---	---
	OHL Input Shaft	(A)	219	227	(A)	346	360	(A)	455	474	---	---	---	---	---	---	---	---	---
	OHL Output Shaft (B)	2500	2500	2500	2500	2500	2500	2500	2500	2500	---	---	---	---	---	---	---	---	---
82.52	Output RPM	42	21	14	42	21	14	42	21	14	---	---	---	---	---	---	---	---	---
	Input HP (Max) (C)	2.06	1.12	0.77	4.39	2.41	1.60	4.39	2.53	1.63	---	---	---	---	---	---	---	---	---
	Output Torque, In-Lb	3107	3340	3449	6622	7160	7160	6622	7523	7316	---	---	---	---	---	---	---	---	---
	OHL Input Shaft	(A)	219	227	(A)	345	359	(A)	455	475	---	---	---	---	---	---	---	---	---
	OHL Output Shaft (B)	2500	2500	2500	2500	2500	2500	2500	2500	2500	---	---	---	---	---	---	---	---	---

(A) (B) (C) - See Footnote page on inside back cover
NOTE: Blank area (-) indicate configuration not available

NOMENCLATURE PAGE MSM-4	STOCK/NON-STOCK PART NUMBERS PAGE MSM-57	DIMENSIONS PAGE MSM-130	THERMAL RATINGS PAGE MSM-242
----------------------------	---	----------------------------	---------------------------------

SELECTION



MOTORIZED SHAFT MOUNT REDUCER (MSM) Service Factor 1.0 - Clamp Collar / 3 Pc Coupled / Separate TRIPLE REDUCTION

**SIZE: MW683
60 HZ**

NEMA MOTOR FRAME IEC MOTOR FRAME SEPARATE GROUP		56C 71D 71			--- 80D 80			140TC 90D 90			180TC 100D 100		
RATIO	OUTPUT RATING DATA	3450	1750	1160	3450	1750	1160	3450	1750	1160	3450	1750	1160
37.41	Output RPM	---	---	---	92	47	31	92	47	31	92	47	31
	Input HP (Max) (C)	---	---	---	4.85	2.46	1.63	9.86	5.00	3.32	10.08	6.57	4.35
	Output Torque, In-Lb	---	---	---	3311	3311	3311	6740	6740	6740	6890	8851	8851
	OHL Input Shaft OHL Output Shaft (B)	---	---	---	(A) 2500	346 2500	360 2500	(A) 2500	453 2500	471 2500	(A) 2500	712 2500	743 2500
44.94	Output RPM	---	---	---	77	39	26	77	39	26	77	39	26
	Input HP (Max) (C)	---	---	---	4.85	2.46	1.63	8.95	5.00	3.32	8.95	5.47	3.62
	Output Torque, In-Lb	---	---	---	3978	3978	3978	7349	8098	8098	7349	8851	8851
	OHL Input Shaft OHL Output Shaft (B)	---	---	---	(A) 2500	343 2500	360 2500	(A) 2500	454 2500	472 2500	(A) 2500	714 2500	743 2500
52.91	Output RPM	---	---	---	65	33	22	65	33	22	65	33	22
	Input HP (Max) (C)	---	---	---	4.85	2.46	1.63	8.04	4.64	3.08	8.04	4.64	3.08
	Output Torque, In-Lb	---	---	---	4683	4683	4683	7771	8851	8851	7771	8851	8851
	OHL Input Shaft OHL Output Shaft (B)	---	---	---	(A) 2500	346 2500	360 2500	(A) 2500	454 2500	473 2500	(A) 2500	714 2500	744 2500
59.29	Output RPM	58	30	20	58	30	20	58	30	20	58	30	20
	Input HP (Max) (C)	3.98	2.02	1.34	4.85	2.46	1.63	7.41	4.15	2.75	7.41	4.15	2.75
	Output Torque, In-Lb	4311	4311	4311	5248	5248	5248	8024	8851	8851	8024	8851	8851
	OHL Input Shaft OHL Output Shaft (B)	(A) 2500	218 2500	227 2500	(A) 2500	346 2500	360 2500	(A) 2500	453 2500	472 2500	(A) 2500	714 2500	744 2500
66.45	Output RPM	52	26	17	52	26	17	52	26	17	52	26	17
	Input HP (Max) (C)	3.98	2.02	1.34	4.85	2.46	1.63	6.83	3.70	2.45	6.83	3.70	2.45
	Output Torque, In-Lb	4831	4831	4831	5882	5882	5882	8289	8851	8851	8289	8851	8851
	OHL Input Shaft OHL Output Shaft (B)	(A) 2500	217 2500	226 2500	(A) 2500	346 2500	360 2500	(A) 2500	454 2500	473 2500	(A) 2500	715 2500	744 2500
72.54	Output RPM	48	24	16	48	24	16	48	24	16	48	24	16
	Input HP (Max) (C)	3.98	2.02	1.34	4.85	2.46	1.63	6.42	3.39	2.25	6.42	3.39	2.25
	Output Torque, In-Lb	5274	5274	5274	6420	6420	6420	8503	8851	8851	8503	8851	8851
	OHL Input Shaft OHL Output Shaft (B)	(A) 2500	219 2500	228 2500	(A) 2500	346 2500	360 2500	(A) 2500	455 2500	474 2500	(A) 2500	715 2500	744 2500
79.63	Output RPM	43	22	15	43	22	15	43	22	15	43	22	15
	Input HP (Max) (C)	3.98	2.02	1.34	4.85	2.46	1.63	6.01	3.09	2.05	6.01	3.09	2.05
	Output Torque, In-Lb	5789	5789	5789	7048	7048	7048	8739	8851	8851	8739	8851	8851
	OHL Input Shaft OHL Output Shaft (B)	(A) 2500	219 2500	228 2500	(A) 2500	346 2500	360 2500	(A) 2500	456 2500	474 2500	(A) 2500	715 2500	744 2500
87.68	Output RPM	39	20	13	39	20	13	39	20	13	39	20	13
	Input HP (Max) (C)	3.98	2.02	1.34	4.85	2.46	1.63	5.53	2.80	1.86	5.53	2.80	1.86
	Output Torque, In-Lb	6375	6375	6375	7760	7760	7760	8851	8851	8851	8851	8851	8851
	OHL Input Shaft OHL Output Shaft (B)	(A) 2500	218 2500	227 2500	(A) 2500	346 2500	360 2500	(A) 2500	456 2500	475 2500	(A) 2500	715 2500	737 2500

(A) (B) (C) - See Footnote page on inside back cover
NOTE: Blank area (-) indicate configuration not available

NOMENCLATURE PAGE MSM-4	STOCK/NON-STOCK PART NUMBERS PAGE MSM-57	DIMENSIONS PAGE MSM-130	THERMAL RATINGS PAGE MSM-242
----------------------------	---	----------------------------	---------------------------------

MOTORIZED SHAFT MOUNT REDUCER (MSM) Service Factor 1.0 - Clamp Collar / 3 Pc Coupled / Separate TRIPLE REDUCTION

**SIZE: MW683
60 HZ**

NEMA MOTOR FRAME IEC MOTOR FRAME SEPARATE GROUP		56C 71D 71			--- 80D 80			140TC 90D 90			180TC 100D 100		
RATIO	OUTPUT RATING DATA	3450	1750	1160	3450	1750	1160	3450	1750	1160	3450	1750	1160
95.16	Output RPM	36	18	12	36	18	12	36	18	12	36	18	12
	Input HP (Max) (C)	3.98	2.02	1.34	4.85	2.46	1.63	5.09	2.58	1.71	5.09	2.58	1.71
	Output Torque, In-Lb	6919	6919	6919	8423	8423	8423	8851	8851	8851	8851	8851	8851
	OHL Input Shaft OHL Output Shaft (B)	(A) 2500	217 2500	226 2500	(A) 2500	346 2500	360 2500	(A) 2500	457 2500	475 2500	(A) 2500	708 2500	737 2500
103.72	Output RPM	33	17	11	33	17	11	33	17	11	33	17	11
	Input HP (Max) (C)	3.87	2.02	1.34	4.67	2.37	1.57	4.67	2.37	1.57	4.67	2.37	1.57
	Output Torque, In-Lb	7324	7541	7541	8851	8851	8851	8851	8851	8851	8851	8851	8851
	OHL Input Shaft OHL Output Shaft (B)	(A) 2500	218 2500	227 2500	(A) 2500	346 2500	360 2500	(A) 2500	457 2500	475 2500	(A) 2500	708 2500	738 2500
113.59	Output RPM	30	15	10	30	15	10	30	15	10	30	15	10
	Input HP (Max) (C)	3.61	1.96	1.31	4.27	2.16	1.43	4.27	2.16	1.43	4.27	2.16	1.43
	Output Torque, In-Lb	7484	8035	8066	8851	8851	8851	8851	8851	8851	8851	8851	8851
	OHL Input Shaft OHL Output Shaft (B)	(A) 2500	218 2500	226 2500	(A) 2500	346 2500	360 2500	(A) 2500	457 2500	475 2500	(A) 2500	710 2500	739 2500
125.11	Output RPM	28	14	9	28	14	9	28	14	9	28	14	9
	Input HP (Max) (C)	3.34	1.82	1.24	3.87	1.96	1.30	3.87	1.96	1.30	3.87	1.96	1.30
	Output Torque, In-Lb	7644	8189	8455	8851	8851	8851	8851	8851	8851	8851	8851	8851
	OHL Input Shaft OHL Output Shaft (B)	(A) 2500	218 2500	226 2500	(A) 2500	346 2500	360 2500	(A) 2500	457 2500	475 2500	(A) 2500	711 2500	741 2500
143.88	Output RPM	24	12	8	24	12	8	24	12	8	24	12	8
	Input HP (Max) (C)	2.99	1.63	1.12	3.37	1.71	1.13	3.37	1.71	1.13	3.37	1.71	1.13
	Output Torque, In-Lb	7862	8422	8730	8851	8851	8851	8851	8851	8851	8851	8851	8851
	OHL Input Shaft OHL Output Shaft (B)	(A) 2500	218 2500	226 2500	(A) 2500	346 2500	360 2500	(A) 2500	457 2500	476 2500	(A) 2500	712 2500	741 2500
155.87	Output RPM	22	11	7	22	11	7	22	11	7	22	11	7
	Input HP (Max) (C)	2.80	1.52	1.05	3.11	1.58	1.05	3.11	1.58	1.05	3.11	1.58	1.05
	Output Torque, In-Lb	7979	8546	8851	8851	8851	8851	8851	8851	8851	8851	8851	8851
	OHL Input Shaft OHL Output Shaft (B)	(A) 2500	218 2500	227 2500	(A) 2500	346 2500	360 2500	(A) 2500	457 2500	476 2500	(A) 2500	712 2500	742 2500
172.28	Output RPM	20	10	7	20	10	7	20	10	7	20	10	7
	Input HP (Max) (C)	2.58	1.40	0.95	2.81	1.43	0.95	2.81	1.43	0.95	2.81	1.43	0.95
	Output Torque, In-Lb	8116	8690	8851	8851	8851	8851	8851	8851	8851	8851	8851	8851
	OHL Input Shaft OHL Output Shaft (B)	(A) 2500	218 2500	227 2500	(A) 2500	346 2500	360 2500	(A) 2500	457 2500	476 2500	(A) 2500	713 2500	(A) 2500
200.99	Output RPM	17	9	6	17	9	6	17	9	6	---	---	---
	Input HP (Max) (C)	2.26	1.22	0.81	2.41	1.22	0.81	2.41	1.22	0.81	---	---	---
	Output Torque, In-Lb	8306	8851	8851	8851	8851	8851	8851	8851	8851	---	---	---
	OHL Input Shaft OHL Output Shaft (B)	(A) 2500	219 2500	227 2500	(A) 2500	346 2500	360 2500	(A) 2500	457 2500	476 2500	---	---	---
223.74	Output RPM	15	8	5	15	8	5	15	8	5	---	---	---
	Input HP (Max) (C)	2.06	1.10	0.73	2.17	1.10	0.73	2.17	1.10	0.73	---	---	---
	Output Torque, In-Lb	8425	8851	8851	8851	8851	8851	8851	8851	8851	---	---	---
	OHL Input Shaft OHL Output Shaft (B)	(A) 2500	218 2500	228 2500	(A) 2500	343 2500	357 2500	(A) 2500	457 2500	476 2500	---	---	---

(A) (B) (C) - See Footnote page on inside back cover
NOTE: Blank area (-) indicate configuration not available

NOMENCLATURE PAGE MSM-4	STOCK/NON-STOCK PART NUMBERS PAGE MSM-57	DIMENSIONS PAGE MSM-130	THERMAL RATINGS PAGE MSM-242
----------------------------	---	----------------------------	---------------------------------

MOTORIZED SHAFT MOUNT REDUCER (MSM)

Service Factor 1.0 - Clamp Collar / 3 Pc Coupled / Separate
DOUBLE REDUCTION

SIZE: MW882
60 HZ

NEMA MOTOR FRAME IEC MOTOR FRAME SEPARATE GROUP		140TC 90D 90			180TC 100D 100			--- 112D 112			210TC 132D 132			250TC 160D 160		
RATIO	OUTPUT RATING DATA	3450	1750	1160	3450	1750	1160	3450	1750	1160	3450	1750	1160	3450	1750	1160
8.85	Output RPM	---	---	---	---	---	---	390	198	131	390	198	131	390	198	131
	Input HP (Max) (C)	---	---	---	---	---	---	27.34	13.87	9.19	64.54	30.18	16.82	79.73	45.47	27.89
	Output Torque, In-Lb	---	---	---	---	---	---	4418	4418	4418	10430	9614	8083	12884	14484	13405
	OHL Input Shaft OHL Output Shaft (B)	---	---	---	---	---	---	(A) (A)	838 3611	873 3611	(A) (A)	946 3611	993 3611	(A) (A)	1403 3611	1585 3611
10.79	Output RPM	---	---	---	320	162	108	320	162	108	320	162	108	320	162	108
	Input HP (Max) (C)	---	---	---	20.42	10.36	6.87	27.34	13.87	9.19	64.54	28.62	15.95	71.77	43.28	26.11
	Output Torque, In-Lb	---	---	---	4024	4024	4024	5389	5389	5389	12721	11120	9348	14147	16817	15307
	OHL Input Shaft OHL Output Shaft (B)	---	---	---	(A) (A)	713 3611	742 3611	(A) (A)	843 3611	868 3611	(A) (A)	952 3611	994 3611	(A) (A)	1418 3611	1582 3611
12.64	Output RPM	---	---	---	273	138	92	273	138	92	273	138	92	273	138	92
	Input HP (Max) (C)	---	---	---	20.42	10.36	6.87	27.34	13.87	9.19	64.54	27.16	15.14	65.75	36.94	24.48
	Output Torque, In-Lb	---	---	---	4716	4716	4716	6314	6314	6314	14906	12366	10398	15184	16817	16817
	OHL Input Shaft OHL Output Shaft (B)	---	---	---	(A) (A)	713 3611	742 3611	(A) (A)	843 3611	877 3611	(A) (A)	952 3611	994 3611	(A) (A)	1420 3611	1580 3611
14.86	Output RPM	232	118	78	232	118	78	232	118	78	232	118	78	232	118	78
	Input HP (Max) (C)	9.86	5.00	3.32	20.42	10.36	6.87	27.34	13.87	9.19	59.94	25.55	14.24	59.94	31.42	20.83
	Output Torque, In-Lb	2678	2678	2678	5543	5543	5543	7422	7422	7422	16273	13672	11498	16273	16817	16817
	OHL Input Shaft OHL Output Shaft (B)	(A) 3611	452 3611	471 3611	(A) 3611	709 3611	738 3611	(A) 3611	841 3611	876 3611	(A) 3611	950 3611	994 3611	(A) 3611	1419 3611	1587 3611
17.05	Output RPM	202	103	68	202	103	68	202	103	68	202	103	68	202	103	68
	Input HP (Max) (C)	9.86	5.00	3.32	20.42	10.36	6.87	27.34	13.87	9.07	53.99	24.08	13.42	53.99	27.39	18.15
	Output Torque, In-Lb	3072	3072	3072	6360	6360	6360	8516	8516	8399	16817	14787	12434	16817	16817	16817
	OHL Input Shaft OHL Output Shaft (B)	(A) 3611	454 3611	472 3611	(A) 3611	710 3611	738 3611	(A) 3611	838 3611	875 3611	(A) 3611	948 3611	993 3611	(A) 3611	1416 3611	1584 3611
20.12	Output RPM	171	87	58	171	87	58	171	87	58	171	87	58	171	87	58
	Input HP (Max) (C)	9.86	5.00	3.32	20.42	10.36	6.84	27.34	13.87	8.48	45.74	22.29	12.42	45.74	23.20	15.38
	Output Torque, In-Lb	3626	3626	3626	7506	7506	7477	10051	10051	9268	16817	16154	13583	16817	16817	16817
	OHL Input Shaft OHL Output Shaft (B)	(A) 3611	456 3611	470 3611	(A) 3611	707 3611	737 3611	(A) 3611	839 3611	874 3611	(A) 3611	946 3611	993 3611	(A) 3611	1426 3611	1591 3611
21.81	Output RPM	158	80	53	158	80	53	158	80	53	158	80	53	158	80	53
	Input HP (Max) (C)	9.86	5.00	3.32	20.42	10.36	6.61	27.34	13.87	8.18	42.20	21.41	11.96	42.20	21.41	14.19
	Output Torque, In-Lb	3930	3930	3930	8136	8136	7837	10894	10894	9693	16817	16817	14176	16817	16817	16817
	OHL Input Shaft OHL Output Shaft (B)	(A) 3611	456 3611	474 3611	(A) 3611	638 3611	738 3611	(A) 3611	757 3611	873 3611	(A) 3611	956 3611	993 3611	(A) 3611	1437 3611	1592 3611
24.25	Output RPM	142	72	48	142	72	48	142	72	48	142	72	48	142	72	48
	Input HP (Max) (C)	9.86	5.00	3.25	20.42	10.36	6.31	27.34	13.87	7.79	37.96	19.25	11.38	37.96	19.25	12.76
	Output Torque, In-Lb	4370	4370	4278	9046	9046	8311	12113	12113	10262	16817	16817	14992	16817	16817	16817
	OHL Input Shaft OHL Output Shaft (B)	(A) 3611	456 3611	474 3611	(A) 3611	522 3611	737 3611	(A) 3611	587 3611	873 3611	(A) 3611	956 3611	992 3611	(A) 3611	1447 3611	1594 3611
26.34	Output RPM	131	66	44	131	66	44	131	66	44	131	66	44	131	66	44
	Input HP (Max) (C)	9.86	5.00	3.13	20.14	10.36	6.06	25.70	13.39	7.48	34.94	17.73	10.95	34.94	17.73	11.75
	Output Torque, In-Lb	4747	4747	4476	9693	9826	8680	12367	12701	10712	16817	16817	15676	16817	16817	16817
	OHL Input Shaft OHL Output Shaft (B)	(A) 3611	455 3611	475 3611	(A) 3611	408 3611	709 3611	(A) 3611	519 3611	873 3611	(A) 3611	949 3611	992 3611	(A) 3611	1454 3611	1595 3611

(A) (B) (C) - See Footnote page on inside back cover
NOTE: Blank area (-) indicate configuration not available

NOMENCLATURE PAGE MSM-4	STOCK/NON-STOCK PART NUMBERS PAGE MSM-57	DIMENSIONS PAGE MSM-146	THERMAL RATINGS PAGE MSM-242
----------------------------	---	----------------------------	---------------------------------

MOTORIZED SHAFT MOUNT REDUCER (MSM) Service Factor 1.0 - Clamp Collar / 3 Pc Coupled / Separate DOUBLE REDUCTION

**SIZE: MW882
60 HZ**

NEMA MOTOR FRAME IEC MOTOR FRAME SEPARATE GROUP		140TC 90D 90			180TC 100D 100			--- 112D 112			210TC 132D 132			250TC 160D 160		
RATIO	OUTPUT RATING DATA	3450	1750	1160	3450	1750	1160	3450	1750	1160	3450	1750	1160	3450	1750	1160
29.14	Output RPM	118	60	40	118	60	40	118	60	40	118	60	40	118	60	40
	Input HP (Max) (C)	9.86	5.00	2.98	18.62	10.13	5.78	23.65	12.75	7.13	31.59	16.03	10.51	31.59	16.03	10.62
	Output Torque, In-Lb OHL Input Shaft	5250 (A)	5250 454	4717 474	9912 (A)	10629 402	9143 674	12587 (A)	13384 444	11288 872	16817 (A)	16817 951	16642 990	16817 (A)	16817 1462	16817 1595
	OHL Output Shaft (B)	3611	3611	3611	3611	3611	3611	3611	3611	3611	3611	3611	3611	3611	3611	3611
30.67	Output RPM	112	57	38	112	57	38	112	57	38	112	57	38	112	57	38
	Input HP (Max) (C)	9.86	5.00	3.32	20.42	10.36	6.87	24.19	13.62	9.03	24.19	13.62	9.03	24.19	13.62	9.03
	Output Torque, In-Lb OHL Input Shaft	5526 (A)	5526 456	5526 474	11441 (A)	11441 638	11441 736	13553 (A)	15047 774	15047 871	13553 (A)	15047 958	15047 997	13553 (A)	15047 1526	15047 1589
	OHL Output Shaft (B)	3611	3611	3611	3611	3611	3611	3611	3611	3611	3611	3611	3611	3611	3611	3611
34.23	Output RPM	101	51	34	101	51	34	101	51	34	101	51	34	101	51	34
	Input HP (Max) (C)	9.86	5.00	3.32	20.08	10.36	6.87	22.24	12.20	8.09	22.24	12.20	8.09	22.24	12.20	8.09
	Output Torque, In-Lb OHL Input Shaft	6168 (A)	6168 456	6168 474	12560 (A)	12770 522	12770 739	13908 (A)	15047 830	15047 874	13908 (A)	15047 949	15047 989	13908 (A)	15047 1528	15047 1592
	OHL Output Shaft (B)	3611	3611	3611	3611	3611	3611	3611	3611	3611	3611	3611	3611	3611	3611	3611
37.08	Output RPM	93	47	31	93	47	31	93	47	31	93	47	31	93	47	31
	Input HP (Max) (C)	9.86	5.00	3.32	18.95	10.36	6.87	20.99	11.27	7.47	20.99	11.27	7.47	20.99	11.27	7.47
	Output Torque, In-Lb OHL Input Shaft	6681 (A)	6681 455	6681 474	12840 (A)	13831 408	13831 709	14219 (A)	15047 840	15047 871	14219 (A)	15047 951	15047 991	14219 (A)	15047 1530	15047 1593
	OHL Output Shaft (B)	3611	3611	3611	3611	3611	3611	3611	3611	3611	3611	3611	3611	3611	3611	3611
42.03	Output RPM	82	42	28	82	42	28	82	42	28	82	42	28	82	42	28
	Input HP (Max) (C)	9.86	5.00	3.32	17.27	9.72	6.46	19.17	9.94	6.59	19.17	9.94	6.59	19.17	9.94	6.59
	Output Torque, In-Lb OHL Input Shaft	7572 (A)	7572 454	7572 472	13257 (A)	14706 402	14754 674	14721 (A)	15047 839	15047 874	14721 (A)	15047 951	15047 991	14721 (A)	15047 1531	15047 1594
	OHL Output Shaft (B)	3611	3611	3611	3611	3611	3611	3611	3611	3611	3611	3611	3611	3611	3611	3611
45.27	Output RPM	76	39	26	76	39	26	76	39	26	76	39	26	76	39	26
	Input HP (Max) (C)	9.86	5.00	3.21	16.31	9.18	6.10	18.18	9.23	6.12	18.18	9.23	6.12	18.18	9.23	6.12
	Output Torque, In-Lb OHL Input Shaft	8158 (A)	8158 452	7908 472	13493 (A)	14964 396	15016 666	15032 (A)	15047 840	15047 875	15032 (A)	15047 953	15047 992	15032 (A)	15047 1532	15047 1595
	OHL Output Shaft (B)	3611	3611	3611	3611	3611	3611	3611	3611	3611	3611	3611	3611	3611	3611	3611
48.95	Output RPM	70	36	24	70	36	24	70	36	24	70	36	24	---	---	---
	Input HP (Max) (C)	9.86	5.00	3.11	15.35	8.53	5.66	16.83	8.53	5.66	16.83	8.53	5.65	---	---	---
	Output Torque, In-Lb OHL Input Shaft	8821 (A)	8821 453	8279 472	13732 (A)	15047 391	15047 660	15047 (A)	15047 841	15047 876	15047 (A)	15047 954	15047 993	---	---	---
	OHL Output Shaft (B)	3611	3611	3611	3611	3611	3611	3611	3611	3611	3611	3611	3611	---	---	---
53.16	Output RPM	65	33	22	65	33	22	65	33	22	65	33	22	---	---	---
	Input HP (Max) (C)	9.29	5.00	2.97	14.38	7.86	5.21	15.49	7.86	5.21	15.49	7.86	5.21	---	---	---
	Output Torque, In-Lb OHL Input Shaft	9025 (A)	9578 456	8572 472	13965 (A)	15047 385	15047 653	15047 (A)	15047 842	15047 877	15047 (A)	15047 955	15047 994	---	---	---
	OHL Output Shaft (B)	3611	3611	3611	3611	3611	3611	3611	3611	3611	3611	3611	3611	---	---	---
58.78	Output RPM	59	30	20	59	30	20	59	30	20	59	30	20	---	---	---
	Input HP (Max) (C)	8.57	5.00	2.86	13.26	7.11	4.71	14.01	7.11	4.71	14.01	7.11	4.71	---	---	---
	Output Torque, In-Lb OHL Input Shaft	9201 (A)	10584 454	9131 471	14241 (A)	15047 379	15047 650	15047 (A)	15047 843	15047 878	15047 (A)	15047 956	15047 995	---	---	---
	OHL Output Shaft (B)	3611	3611	3611	3611	3611	3611	3611	3611	3611	3611	3611	3611	---	---	---

(A) (B) (C) - See Footnote page on inside back cover
NOTE: Blank area (-) indicate configuration not available

NOMENCLATURE PAGE MSM-4	STOCK/NON-STOCK PART NUMBERS PAGE MSM-57	DIMENSIONS PAGE MSM-146	THERMAL RATINGS PAGE MSM-242
----------------------------	---	----------------------------	---------------------------------

SELECTION



MOTORIZED SHAFT MOUNT REDUCER (MSM) Service Factor 1.0 - Clamp Collar / 3 Pc Coupled / Separate DOUBLE REDUCTION

SIZE: MW882
60 HZ

NEMA MOTOR FRAME IEC MOTOR FRAME SEPARATE GROUP		140TC 90D 90			180TC 100D 100			--- 112D 112			210TC 132D 132			250TC 160D 160		
RATIO	OUTPUT RATING DATA	3450	1750	1160	3450	1750	1160	3450	1750	1160	3450	1750	1160	3450	1750	1160
63.67	Output RPM	54	27	18	54	27	18	54	27	18	54	27	18	---	---	---
	Input HP (Max) (C)	8.02	4.70	2.69	12.42	6.56	4.35	12.94	6.56	4.35	12.94	6.56	4.35	---	---	---
	Output Torque, In-Lb	9330	10769	9290	14448	15047	15047	15047	15047	15047	15047	15047	15047	---	---	---
	OHL Input Shaft OHL Output Shaft (B)	(A) 3611	454 3611	471 3611	(A) 3611	373 3611	643 3611	(A) 3611	844 3611	878 3611	(A) 3611	957 3611	996 3611	---	---	---
71.75	Output RPM	48	24	16	48	24	16	48	24	16	---	---	---	---	---	---
	Input HP (Max) (C)	7.26	4.30	2.58	11.24	5.82	3.86	11.48	5.82	3.86	---	---	---	---	---	---
	Output Torque, In-Lb	9514	11102	10065	14729	15047	15047	15047	15047	15047	---	---	---	---	---	---
	OHL Input Shaft OHL Output Shaft (B)	(A) 3611	455 3611	472 3611	(A) 3611	369 3611	641 3611	(A) 3611	844 3611	879 3611	---	---	---	---	---	---
78.56	Output RPM	44	22	15	44	22	15	44	22	15	---	---	---	---	---	---
	Input HP (Max) (C)	6.72	3.98	2.47	9.98	5.32	3.53	9.98	5.32	3.53	---	---	---	---	---	---
	Output Torque, In-Lb	9646	11256	10557	14323	15047	15047	15047	15047	15047	---	---	---	---	---	---
	OHL Input Shaft OHL Output Shaft (B)	(A) 3611	455 3611	471 3611	(A) 3611	364 3611	743 3611	(A) 3611	844 3611	879 3611	---	---	---	---	---	---
87.50	Output RPM	39	20	13	39	20	13	---	---	---	---	---	---	---	---	---
	Input HP (Max) (C)	6.12	3.63	2.29	6.98	4.77	2.60	---	---	---	---	---	---	---	---	---
	Output Torque, In-Lb	9786	11426	10886	11150	15047	12343	---	---	---	---	---	---	---	---	---
	OHL Input Shaft OHL Output Shaft (B)	(A) 3611	456 3611	472 3611	(A) 3611	621 3611	743 3611	---	---	---	---	---	---	---	---	---
100.06	Output RPM	34	17	12	---	---	---	---	---	---	---	---	---	---	---	---
	Input HP (Max) (C)	4.42	3.22	1.64	---	---	---	---	---	---	---	---	---	---	---	---
	Output Torque, In-Lb	8074	11619	8935	---	---	---	---	---	---	---	---	---	---	---	---
	OHL Input Shaft OHL Output Shaft (B)	(A) 3611	456 3611	475 3611	---	---	---	---	---	---	---	---	---	---	---	---
110.96	Output RPM	31	16	10	---	---	---	---	---	---	---	---	---	---	---	---
	Input HP (Max) (C)	3.03	2.94	1.13	---	---	---	---	---	---	---	---	---	---	---	---
	Output Torque, In-Lb	6142	11750	6797	---	---	---	---	---	---	---	---	---	---	---	---
	OHL Input Shaft OHL Output Shaft (B)	(A) 3611	456 3611	475 3611	---	---	---	---	---	---	---	---	---	---	---	---
123.05	Output RPM	28	14	9	---	---	---	---	---	---	---	---	---	---	---	---
	Input HP (Max) (C)	2.17	2.68	0.81	---	---	---	---	---	---	---	---	---	---	---	---
	Output Torque, In-Lb	4875	11880	5394	---	---	---	---	---	---	---	---	---	---	---	---
	OHL Input Shaft OHL Output Shaft (B)	(A) 3611	456 3611	476 3611	---	---	---	---	---	---	---	---	---	---	---	---

(A) (B) (C) - See Footnote page on inside back cover
NOTE: Blank area (-) indicate configuration not available

NOMENCLATURE PAGE MSM-4	STOCK/NON-STOCK PART NUMBERS PAGE MSM-57	DIMENSIONS PAGE MSM-146	THERMAL RATINGS PAGE MSM-242
----------------------------	---	----------------------------	---------------------------------

QUANTIS

QUANTIS GOLD

ILH

RHB

MSM

MOTORIZED SHAFT MOUNT REDUCER (MSM)
 Service Factor 1.0 - Clamp Collar / 3 Pc Coupled / Separate
TRIPLE REDUCTION

SIZE: MW883
60 HZ

NEMA MOTOR FRAME IEC MOTOR FRAME SEPARATE GROUP		56C 71D 71			--- 80D 80			140TC 90D 90			180TC 100D 100			--- 112D 112			210TC 132D 132			
RATIO	OUTPUT RATING DATA	3450	1750	1160	3450	1750	1160	3450	1750	1160	3450	1750	1160	3450	1750	1160	3450	1750	1160	
39.78	Output RPM	---	---	---	---	---	---	---	---	---	87	44	29	87	44	29	87	44	29	
	Input HP (Max) (C)	---	---	---	---	---	---	---	---	---	19.63	10.36	6.87	19.63	11.74	7.78	19.63	11.74	7.78	
	Output Torque, In-Lb	---	---	---	---	---	---	---	---	---	14266	14837	14837	14266	16817	16817	14266	16817	16817	
	OHL Input Shaft	---	---	---	---	---	---	---	---	---	(A) 713	742	(A) 840	874	(A) 840	874	(A) 958	997	958	997
	OHL Output Shaft (B)	---	---	---	---	---	---	---	---	---	3611	3611	3611	3611	3611	3611	3611	3611	3611	3611
47.99	Output RPM	---	---	---	---	---	---	---	---	---	72	36	24	72	36	24	72	36	24	
	Input HP (Max) (C)	---	---	---	---	---	---	---	---	---	17.63	9.73	6.45	17.63	9.73	6.45	17.63	9.73	6.45	
	Output Torque, In-Lb	---	---	---	---	---	---	---	---	---	15456	16817	16817	15456	16817	16817	15456	16817	16817	
	OHL Input Shaft	---	---	---	---	---	---	---	---	---	(A) 713	742	(A) 839	874	(A) 839	874	(A) 958	997	958	997
	OHL Output Shaft (B)	---	---	---	---	---	---	---	---	---	3611	3611	3611	3611	3611	3611	3611	3611	3611	3611
57.59	Output RPM	---	---	---	60	30	20	60	30	20	60	30	20	60	30	20	60	30	20	
	Input HP (Max) (C)	---	---	---	4.85	2.46	1.63	9.86	5.00	3.32	15.83	8.11	5.37	15.83	8.11	5.37	15.83	8.11	5.37	
	Output Torque, In-Lb	---	---	---	5097	5097	5097	10376	10376	10376	16656	16817	16817	16656	16817	16817	16656	16817	16817	
	OHL Input Shaft	---	---	---	(A) 346	360	(A) 454	473	(A) 707	737	(A) 842	877	(A) 842	877	(A) 959	998	(A) 959	998	959	998
	OHL Output Shaft (B)	---	---	---	3611	3611	3611	3611	3611	3611	3611	3611	3611	3611	3611	3611	3611	3611	3611	3611
67.50	Output RPM	---	---	---	51	26	17	51	26	17	51	26	17	51	26	17	51	26	17	
	Input HP (Max) (C)	---	---	---	4.85	2.46	1.63	9.86	5.00	3.32	13.64	6.92	4.59	13.64	6.92	4.59	13.64	6.92	4.59	
	Output Torque, In-Lb	---	---	---	5975	5975	5975	12163	12163	12163	16817	16817	16817	16817	16817	16817	16817	16817	16817	
	OHL Input Shaft	---	---	---	(A) 346	360	(A) 452	471	(A) 710	736	(A) 844	878	(A) 844	878	(A) 959	998	(A) 959	998	959	998
	OHL Output Shaft (B)	---	---	---	3611	3611	3611	3611	3611	3611	3611	3611	3611	3611	3611	3611	3611	3611	3611	3611
80.45	Output RPM	---	---	---	43	22	14	43	22	14	43	22	14	43	22	14	43	22	14	
	Input HP (Max) (C)	---	---	---	4.85	2.46	1.63	9.86	5.00	3.32	11.44	5.80	3.85	11.44	5.80	3.85	11.44	5.80	3.85	
	Output Torque, In-Lb	---	---	---	7121	7121	7121	14496	14496	14496	16817	16817	16817	16817	16817	16817	16817	16817	16817	
	OHL Input Shaft	---	---	---	(A) 346	360	(A) 456	474	(A) 710	739	(A) 844	879	(A) 844	879	(A) 959	998	(A) 959	998	959	998
	OHL Output Shaft (B)	---	---	---	3611	3611	3611	3611	3611	3611	3611	3611	3611	3611	3611	3611	3611	3611	3611	3611
87.25	Output RPM	40	20	13	40	20	13	40	20	13	40	20	13	40	20	13	40	20	13	
	Input HP (Max) (C)	3.98	2.02	1.34	4.85	2.46	1.63	9.86	5.00	3.25	10.55	5.35	3.55	10.55	5.35	3.55	10.55	5.35	3.55	
	Output Torque, In-Lb	6344	6344	6344	7723	7723	7723	15721	15721	15414	16817	16817	16817	16817	16817	16817	16817	16817	16817	
	OHL Input Shaft	(A) 219	226	(A) 346	360	(A) 456	474	(A) 711	741	(A) 711	741	(A) 845	879	(A) 845	879	(A) 951	990	(A) 951	990	
	OHL Output Shaft (B)	3611	3611	3611	3611	3611	3611	3611	3611	3611	3611	3611	3611	3611	3611	3611	3611	3611	3611	3611
97.39	Output RPM	35	18	12	35	18	12	35	18	12	35	18	12	35	18	12	35	18	12	
	Input HP (Max) (C)	3.98	2.02	1.34	4.85	2.46	1.63	9.45	4.79	3.11	9.45	4.79	3.18	9.45	4.79	3.18	9.45	4.79	3.18	
	Output Torque, In-Lb	7081	7081	7081	8620	8620	8620	16817	16817	16442	16817	16817	16817	16817	16817	16817	16817	16817	16817	
	OHL Input Shaft	(A) 219	228	(A) 346	360	(A) 456	475	(A) 712	742	(A) 712	742	(A) 845	879	(A) 845	879	(A) 951	990	(A) 951	990	
	OHL Output Shaft (B)	3611	3611	3611	3611	3611	3611	3611	3611	3611	3611	3611	3611	3611	3611	3611	3611	3611	3611	3611
105.48	Output RPM	33	17	11	33	17	11	33	17	11	33	17	11	33	17	11	33	17	11	
	Input HP (Max) (C)	3.98	2.02	1.34	4.85	2.46	1.63	8.73	4.43	2.93	8.73	4.43	2.93	8.73	4.43	2.93	8.73	4.43	2.93	
	Output Torque, In-Lb	7669	7669	7669	9336	9336	9336	16817	16817	16817	16817	16817	16817	16817	16817	16817	16817	16817	16817	
	OHL Input Shaft	(A) 218	227	(A) 346	360	(A) 456	475	(A) 713	742	(A) 713	742	(A) 845	879	(A) 845	879	(A) 953	991	(A) 953	991	
	OHL Output Shaft (B)	3611	3611	3611	3611	3611	3611	3611	3611	3611	3611	3611	3611	3611	3611	3611	3611	3611	3611	3611
119.55	Output RPM	29	15	10	29	15	10	29	15	10	29	15	10	29	15	10	29	15	10	
	Input HP (Max) (C)	3.98	2.02	1.34	4.85	2.46	1.63	7.70	3.91	2.59	7.70	3.91	2.59	7.70	3.91	2.59	7.70	3.91	2.59	
	Output Torque, In-Lb	8692	8692	8692	10582	10582	10582	16817	16817	16817	16817	16817	16817	16817	16817	16817	16817	16817	16817	
	OHL Input Shaft	(A) 217	226	(A) 346	360	(A) 457	475	(A) 714	743	(A) 714	743	(A) 845	879	(A) 845	879	(A) 954	993	(A) 954	993	
	OHL Output Shaft (B)	3611	3611	3611	3611	3611	3611	3611	3611	3611	3611	3611	3611	3611	3611	3611	3611	3611	3611	3611

(A) (B) (C) - See Footnote page on inside back cover
 NOTE: Blank area (-) indicate configuration not available

NOMENCLATURE PAGE MSM-4	STOCK/NON-STOCK PART NUMBERS PAGE MSM-57	DIMENSIONS PAGE MSM-146	THERMAL RATINGS PAGE MSM-242
----------------------------	---	----------------------------	---------------------------------

MOTORIZED SHAFT MOUNT REDUCER (MSM)

Service Factor 1.0 - Clamp Collar / 3 Pc Coupled / Separate

SIZE: MW883

60 HZ

TRIPLE REDUCTION

NEMA MOTOR FRAME IEC MOTOR FRAME SEPARATE GROUP		56C 71D 71			--- 80D 80			140TC 90D 90			180TC 100D 100			--- 112D 112			210TC 132D 132		
RATIO	OUTPUT RATING DATA	3450	1750	1160	3450	1750	1160	3450	1750	1160	3450	1750	1160	3450	1750	1160	3450	1750	1160
128.79	Output RPM	27	14	9	27	14	9	27	14	9	27	14	9	27	14	9	27	14	9
	Input HP (Max) (C)	3.88	2.02	1.34	4.85	2.46	1.63	7.15	3.63	2.40	7.15	3.63	2.40	7.15	3.63	2.40	7.15	3.63	2.40
	Output Torque, In-Lb OHL Input Shaft	9140 (A)	9364 218	9364 227	11399 (A)	11399 346	11399 359	16817 (A)	16817 457	16817 475	16817 (A)	16817 714	16817 743	16817 (A)	16817 845	16817 879	16817 (A)	16817 955	16817 994
	OHL Output Shaft (B)	3611	3611	3611	3611	3611	3611	3611	3611	3611	3611	3611	3611	3611	3611	3611	3611	3611	3611
139.26	Output RPM	25	13	8	25	13	8	25	13	8	25	13	8	25	13	8	25	13	8
	Input HP (Max) (C)	3.66	1.99	1.34	4.85	2.46	1.63	6.61	3.35	2.22	6.61	3.35	2.22	6.61	3.35	2.22	6.61	3.35	2.22
	Output Torque, In-Lb OHL Input Shaft	9302 (A)	9962 217	10125 226	12326 (A)	12326 345	12326 359	16817 (A)	16817 453	16817 471	16817 (A)	16817 714	16817 743	16817 (A)	16817 845	16817 879	16817 (A)	16817 956	16817 995
	OHL Output Shaft (B)	3611	3611	3611	3611	3611	3611	3611	3611	3611	3611	3611	3611	3611	3611	3611	3611	3611	3611
151.22	Output RPM	23	12	8	23	12	8	23	12	8	23	12	8	23	12	8	23	12	8
	Input HP (Max) (C)	3.43	1.86	1.28	4.85	2.46	1.63	6.09	3.09	2.05	6.09	3.09	2.05	6.09	3.09	2.05	6.09	3.09	2.05
	Output Torque, In-Lb OHL Input Shaft	9467 (A)	10139 218	10508 226	13385 (A)	13385 345	13385 359	16817 (A)	16817 454	16817 471	16817 (A)	16817 714	16817 743	16817 (A)	16817 837	16817 879	16817 (A)	16817 956	16817 996
	OHL Output Shaft (B)	3611	3611	3611	3611	3611	3611	3611	3611	3611	3611	3611	3611	3611	3611	3611	3611	3611	3611
167.20	Output RPM	21	10	7	21	10	7	21	10	7	21	10	7	21	10	7	21	10	7
	Input HP (Max) (C)	3.16	1.72	1.18	4.85	2.46	1.63	5.51	2.79	1.85	5.51	2.79	1.85	5.51	2.79	1.85	5.51	2.79	1.85
	Output Torque, In-Lb OHL Input Shaft	9655 (A)	10342 218	10719 226	14799 (A)	14799 344	14799 358	16817 (A)	16817 453	16817 472	16817 (A)	16817 715	16817 743	16817 (A)	16817 838	16817 872	16817 (A)	16817 957	16817 996
	OHL Output Shaft (B)	3611	3611	3611	3611	3611	3611	3611	3611	3611	3611	3611	3611	3611	3611	3611	3611	3611	3611
181.13	Output RPM	19	10	6	19	10	6	19	10	6	19	10	6	19	10	6	19	10	6
	Input HP (Max) (C)	2.96	1.61	1.11	4.85	2.46	1.56	5.08	2.58	1.71	5.08	2.58	1.71	5.08	2.58	1.71	5.08	2.58	1.71
	Output Torque, In-Lb OHL Input Shaft	9797 (A)	10495 218	10879 226	16032 (A)	16032 344	15380 358	16817 (A)	16817 454	16817 473	16817 (A)	16817 715	16817 744	16817 (A)	16817 839	16817 873	16817 (A)	16817 957	16817 997
	OHL Output Shaft (B)	3611	3611	3611	3611	3611	3611	3611	3611	3611	3611	3611	3611	3611	3611	3611	3611	3611	3611
204.11	Output RPM	17	9	6	17	9	6	17	9	6	17	9	6	17	9	6	---	---	---
	Input HP (Max) (C)	2.68	1.46	1.00	4.51	2.29	1.45	4.51	2.29	1.52	4.51	2.29	1.52	4.51	2.29	1.52	---	---	---
	Output Torque, In-Lb OHL Input Shaft	10001 (A)	10707 218	11098 227	16817 (A)	16817 344	16112 358	16817 (A)	16817 455	16817 473	16817 (A)	16817 715	16817 744	16817 (A)	16817 840	16817 874	---	---	---
	OHL Output Shaft (B)	3611	3611	3611	3611	3611	3611	3611	3611	3611	3611	3611	3611	3611	3611	3611	---	---	---
223.47	Output RPM	15	8	5	15	8	5	15	8	5	15	8	5	15	8	5	---	---	---
	Input HP (Max) (C)	2.48	1.35	0.93	4.12	2.09	1.37	4.12	2.09	1.39	4.12	2.09	1.39	4.12	2.09	1.39	---	---	---
	Output Torque, In-Lb OHL Input Shaft	10138 (A)	10859 218	11254 227	16817 (A)	16817 344	16681 358	16817 (A)	16817 456	16817 474	16817 (A)	16817 715	16817 744	16817 (A)	16817 841	16817 875	---	---	---
	OHL Output Shaft (B)	3611	3611	3611	3611	3611	3611	3611	3611	3611	3611	3611	3611	3611	3611	3611	---	---	---
248.92	Output RPM	14	7	5	14	7	5	14	7	5	---	---	---	---	---	---	---	---	---
	Input HP (Max) (C)	2.26	1.23	0.84	3.70	1.88	1.24	3.70	1.88	1.24	---	---	---	---	---	---	---	---	---
	Output Torque, In-Lb OHL Input Shaft	10293 (A)	11024 219	11427 227	16817 (A)	16817 345	16817 359	16817 (A)	16817 456	16817 474	---	---	---	---	---	---	---	---	---
	OHL Output Shaft (B)	3611	3611	3611	3611	3611	3611	3611	3611	3611	---	---	---	---	---	---	---	---	---
284.63	Output RPM	12	6	4	12	6	4	12	6	4	---	---	---	---	---	---	---	---	---
	Input HP (Max) (C)	2.01	1.09	0.75	3.23	1.64	1.09	3.23	1.64	1.09	---	---	---	---	---	---	---	---	---
	Output Torque, In-Lb OHL Input Shaft	10469 (A)	11212 219	11621 227	16817 (A)	16817 345	16817 359	16817 (A)	16817 456	16817 475	---	---	---	---	---	---	---	---	---
	OHL Output Shaft (B)	3611	3611	3611	3611	3611	3611	3611	3611	3611	---	---	---	---	---	---	---	---	---

(A) (B) (C) - See Footnote page on inside back cover
 NOTE: Blank area (-) indicate configuration not available

NOMENCLATURE PAGE MSM-4	STOCK/NON-STOCK PART NUMBERS PAGE MSM-57	DIMENSIONS PAGE MSM-146	THERMAL RATINGS PAGE MSM-242
----------------------------	---	----------------------------	---------------------------------

QUANTIS

QUANTIS GOLD

ILH

RHB

MSM

SELECTION



MOTORIZED SHAFT MOUNT REDUCER (MSM) Service Factor 1.0 - Clamp Collar / 3 Pc Coupled / Separate TRIPLE REDUCTION

SIZE: MW883
60 HZ

NEMA MOTOR FRAME IEC MOTOR FRAME SEPARATE GROUP		56C 71D 71			--- 80D 80			140TC 90D 90			180TC 100D 100			--- 112D 112			210TC 132D 132		
RATIO	OUTPUT RATING DATA	3450	1750	1160	3450	1750	1160	3450	1750	1160	3450	1750	1160	3450	1750	1160	3450	1750	1160
315.64	Output RPM	11	6	4	11	6	4	11	6	4	---	---	---	---	---	---	---	---	---
	Input HP (Max) (C)	1.84	1.00	0.69	2.92	1.48	0.98	2.92	1.48	0.98	---	---	---	---	---	---	---	---	---
	Output Torque, In-Lb OHL Input Shaft (A)	10593	11342	11758	16817	16817	16817	16817	16817	16817	---	---	---	---	---	---	---	---	---
	OHL Output Shaft (B)	3611	3611	3611	3611	3611	3611	3611	3611	3611	---	---	---	---	---	---	---	---	---
350.03	Output RPM	10	5	3	10	5	3	10	5	3	---	---	---	---	---	---	---	---	---
	Input HP (Max) (C)	1.67	0.91	0.62	2.17	1.33	0.81	2.17	1.33	0.81	---	---	---	---	---	---	---	---	---
	Output Torque, In-Lb OHL Input Shaft (A)	10703	11465	11884	13869	16817	15343	13869	16817	15343	---	---	---	---	---	---	---	---	---
	OHL Output Shaft (B)	3611	3611	3611	3611	3611	3611	3611	3611	3611	---	---	---	---	---	---	---	---	---

(A) (B) (C) - See Footnote page on inside back cover
NOTE: Blank area (-) indicate configuration not available

NOMENCLATURE PAGE MSM-4	STOCK/NON-STOCK PART NUMBERS PAGE MSM-57	DIMENSIONS PAGE MSM-146	THERMAL RATINGS PAGE MSM-242
----------------------------	---	----------------------------	---------------------------------

MOTORIZED SHAFT MOUNT REDUCER (MSM)

Service Factor 1.0 - Clamp Collar / 3 Pc Coupled / Separate

DOUBLE REDUCTION

SIZE: MW1082

60 HZ

NEMA MOTOR FRAME IEC MOTOR FRAME SEPARATE GROUP		140TC 90D 90			180TC 100D 100			--- 112D 112			210TC 132D 132			250TC 160D 160			280TC 180D/200D 180		
RATIO	OUTPUT RATING DATA	3450	1750	1160	3450	1750	1160	3450	1750	1160	3450	1750	1160	3450	1750	1160	3450	1750	1160
9.52	Output RPM	---	---	---	---	---	---	---	---	---	362	184	122	362	184	122	362	184	122
	Input HP (Max) (C)	---	---	---	---	---	---	---	---	---	64.54	32.74	20.52	89.63	45.47	29.26	114.72	74.16	49.83
	Output Torque, In-Lb	---	---	---	---	---	---	---	---	---	11224	11224	10611	15588	15588	15136	19951	25426	25775
	OHL Input Shaft OHL Output Shaft (B)	---	---	---	---	---	---	---	---	---	(A) (A)	949 5433	989 5433	(A) (A)	1473 5433	1582 5433	(A) (A)	1710 5433	2058 5433
11.08	Output RPM	---	---	---	---	---	---	---	---	---	311	158	105	311	158	105	311	158	105
	Input HP (Max) (C)	---	---	---	---	---	---	---	---	---	64.54	32.74	20.18	89.63	45.47	28.08	105.97	66.01	44.35
	Output Torque, In-Lb	---	---	---	---	---	---	---	---	---	13059	13059	12142	18135	18135	16897	21442	26332	26687
	OHL Input Shaft OHL Output Shaft (B)	---	---	---	---	---	---	---	---	---	(A) (A)	948 5433	989 5433	(A) (A)	1439 5433	1579 5433	(A) (A)	1729 5433	2077 5433
12.28	Output RPM	---	---	---	---	---	---	281	143	94	281	143	94	281	143	94	281	143	94
	Input HP (Max) (C)	---	---	---	---	---	---	27.34	13.87	9.19	64.54	32.74	19.88	89.63	45.47	27.17	100.24	60.87	40.9
	Output Torque, In-Lb	---	---	---	---	---	---	6131	6131	6131	14474	14474	13260	20100	20100	18122	22478	26911	27277
	OHL Input Shaft OHL Output Shaft (B)	---	---	---	---	---	---	(A) (A)	838 5433	872 5433	(A) (A)	943 5433	987 5433	(A) (A)	1413 5433	1577 5433	(A) (A)	1741 5433	2089 5433
14.59	Output RPM	---	---	---	237	120	80	237	120	80	237	120	80	237	120	80	237	120	80
	Input HP (Max) (C)	---	---	---	20.42	10.36	6.87	27.34	13.87	9.19	64.54	32.74	19.25	89.63	45.47	25.49	91.02	52.98	35.59
	Output Torque, In-Lb	---	---	---	5441	5441	5441	7285	7285	7285	17199	17199	15260	23885	23885	20201	24255	27831	28206
	OHL Input Shaft OHL Output Shaft (B)	---	---	---	(A) 5433	713 5433	735 5433	(A) 5433	843 5433	877 5433	(A) 5433	949 5433	990 5433	(A) 5433	1360 5433	1575 5433	(A) 5433	1758 5433	2107 5433
16.83	Output RPM	---	---	---	205	104	69	205	104	69	205	104	69	205	104	69	205	104	69
	Input HP (Max) (C)	---	---	---	20.42	10.36	6.87	27.34	13.87	9.19	64.54	32.74	18.60	83.79	43.55	23.97	83.79	47.09	31.63
	Output Torque, In-Lb	---	---	---	6279	6279	6279	8408	8408	8408	19850	19850	17015	25769	26405	21927	25769	28547	28929
	OHL Input Shaft OHL Output Shaft (B)	---	---	---	(A) 5433	713 5433	742 5433	(A) 5433	843 5433	877 5433	(A) 5433	951 5433	990 5433	(A) 5433	1332 5433	1587 5433	(A) 5433	1771 5433	2120 5433
19.78	Output RPM	---	---	---	174	88	59	174	88	59	174	88	59	174	88	59	174	88	59
	Input HP (Max) (C)	---	---	---	20.42	10.36	6.87	27.34	13.87	9.19	64.22	31.85	17.75	76.05	40.41	22.24	76.05	41.13	27.63
	Output Torque, In-Lb	---	---	---	7378	7378	7378	9880	9880	9880	23206	22693	19079	27480	28786	23902	27480	29303	29696
	OHL Input Shaft OHL Output Shaft (B)	---	---	---	(A) 5433	711 5433	741 5433	(A) 5433	842 5433	876 5433	(A) 5433	951 5433	986 5433	(A) 5433	1266 5433	1586 5433	(A) 5433	1783 5433	2132 5433
21.18	Output RPM	---	---	---	163	83	55	163	83	55	163	83	55	163	83	55	163	83	55
	Input HP (Max) (C)	---	---	---	20.42	10.36	6.87	27.34	13.87	9.19	43.88	29.24	17.70	43.88	29.24	20.52	43.88	29.24	20.52
	Output Torque, In-Lb	---	---	---	7898	7898	7898	10576	10576	10576	16974	22299	20361	16974	22299	23604	16974	22299	23604
	OHL Input Shaft OHL Output Shaft (B)	---	---	---	(A) 5433	713 5433	742 5433	(A) 5433	843 5433	877 5433	(A) 5433	946 5433	983 5433	(A) 5433	1472 5433	1590 5433	(A) 5433	2022 5433	2355 5433
24.89	Output RPM	139	70	47	139	70	47	139	70	47	139	70	47	139	70	47	139	70	47
	Input HP (Max) (C)	9.86	5.00	3.32	20.42	10.36	6.87	27.34	13.87	9.19	39.96	26.63	16.87	39.96	26.63	18.68	39.96	26.63	18.68
	Output Torque, In-Lb	4485	4485	4485	9285	9285	9285	12432	12432	12432	18172	23873	22815	18172	23873	25269	18172	23873	25269
	OHL Input Shaft OHL Output Shaft (B)	(A) 5433	453	471	(A) 5433	711	741	(A) 5433	841	876	(A) 5433	946	980	(A) 5433	1472	1591	(A) 5433	2016	2349
28.56	Output RPM	121	61	41	121	61	41	121	61	41	121	61	41	121	61	41	121	61	41
	Input HP (Max) (C)	9.86	5.00	3.32	20.42	10.36	6.87	27.34	13.87	9.19	36.83	24.54	16.09	36.83	24.54	17.22	36.83	24.54	17.22
	Output Torque, In-Lb	5146	5146	5146	10653	10653	10653	14264	14264	14264	19214	25243	24959	19214	25243	26716	19214	25243	26716
	OHL Input Shaft OHL Output Shaft (B)	(A) 5433	454	473	(A) 5433	709	738	(A) 5433	838	873	(A) 5433	946	988	(A) 5433	1467	1591	(A) 5433	2010	2343

(A) (B) (C) - See Footnote page on inside back cover
 NOTE: Blank area (-) indicate configuration not available

NOMENCLATURE PAGE MSM-4	STOCK/NON-STOCK PART NUMBERS PAGE MSM-57	DIMENSIONS PAGE MSM-162	THERMAL RATINGS PAGE MSM-242
----------------------------	---	----------------------------	---------------------------------

MOTORIZED SHAFT MOUNT REDUCER (MSM)

Service Factor 1.0 - Clamp Collar / 3 Pc Coupled / Separate
DOUBLE REDUCTION

SIZE: MW1082
60 HZ

NEMA MOTOR FRAME IEC MOTOR FRAME SEPARATE GROUP		140TC 90D 90			180TC 100D 100			--- 112D 112			210TC 132D 132			250TC 160D 160			280TC 180D/200D 180		
RATIO	OUTPUT RATING DATA	3450	1750	1160	3450	1750	1160	3450	1750	1160	3450	1750	1160	3450	1750	1160	3450	1750	1160
33.71	Output RPM	102	52	34	102	52	34	102	52	34	102	52	34	102	52	34	102	52	34
	Input HP (Max) (C)	9.86	5.00	3.32	20.42	10.36	6.87	27.34	13.87	9.19	33.30	22.19	15.20	33.30	22.19	15.57	33.30	22.19	15.57
	Output Torque, In-Lb	6073	6073	6073	12573	12573	12573	16835	16835	16835	20505	26936	27839	20505	26936	28509	20505	26936	28509
	OHL Input Shaft (A)	452	470	(A)	710	740	(A)	839	874	(A)	946	994	(A)	1459	1592	(A)	2001	2333	(A)
	OHL Output Shaft (B)	5433	5433	5433	5433	5433	5433	5433	5433	5433	5433	5433	5433	5433	5433	5433	5433	5433	5433
36.54	Output RPM	94	48	32	94	48	32	94	48	32	94	48	32	94	48	32	94	48	32
	Input HP (Max) (C)	9.86	5.00	3.32	20.42	10.36	6.57	27.34	13.87	9.07	31.69	21.11	14.39	31.69	21.11	14.81	31.69	21.11	14.81
	Output Torque, In-Lb	6583	6583	6583	13628	13628	13039	18248	18248	17998	21148	27780	28557	21148	27780	29405	21148	27780	29405
	OHL Input Shaft (A)	456	474	(A)	708	739	(A)	757	873	(A)	956	995	(A)	1454	1592	(A)	1996	2328	(A)
	OHL Output Shaft (B)	5433	5433	5433	5433	5433	5433	5433	5433	5433	5433	5433	5433	5433	5433	5433	5433	5433	5433
40.62	Output RPM	85	43	29	85	43	29	85	43	29	85	43	29	85	43	29	---	---	---
	Input HP (Max) (C)	9.86	5.00	3.32	20.42	10.36	6.11	27.34	13.87	8.48	29.66	19.76	13.38	29.66	19.76	13.64	---	---	---
	Output Torque, In-Lb	7319	7319	7319	15152	15152	13486	20288	20288	18707	22007	28912	29526	22007	28912	30093	---	---	---
	OHL Input Shaft (A)	456	474	(A)	711	740	(A)	587	2503	(A)	956	995	(A)	1449	1593	---	---	---	---
	OHL Output Shaft (B)	5433	5433	5433	5433	5433	5433	5433	5433	5433	5433	5433	5433	5433	5433	5433	---	---	---
44.12	Output RPM	78	40	26	78	40	26	78	40	26	78	40	26	78	40	26	---	---	---
	Input HP (Max) (C)	9.86	5.00	3.32	19.63	10.32	5.88	25.86	13.87	8.18	28.15	18.76	12.55	28.15	18.76	12.55	---	---	---
	Output Torque, In-Lb	7950	7950	7950	15826	16400	14103	20847	22038	19607	22693	29811	30093	22693	29811	30093	---	---	---
	OHL Input Shaft (A)	455	474	(A)	709	739	(A)	440	872	(A)	956	986	(A)	1443	1594	---	---	---	---
	OHL Output Shaft (B)	5433	5433	5433	5433	5433	5433	5433	5433	5433	5433	5433	5433	5433	5433	5433	---	---	---
48.81	Output RPM	71	36	24	71	36	24	71	36	24	71	36	24	71	36	24	---	---	---
	Input HP (Max) (C)	9.86	5.00	3.25	18.15	9.79	5.58	23.80	13.87	7.79	26.21	17.12	11.35	26.21	17.12	11.35	---	---	---
	Output Torque, In-Lb	8794	8794	8609	16182	17201	14792	21220	24376	20652	23366	30093	30093	23366	30093	30093	---	---	---
	OHL Input Shaft (A)	453	454	473	(A)	472	738	(A)	246	871	(A)	949	989	(A)	1448	1595	---	---	---
	OHL Output Shaft (B)	5433	5433	5433	5433	5433	5433	5433	5433	5433	5433	5433	5433	5433	5433	5433	---	---	---
52.40	Output RPM	66	33	22	66	33	22	66	33	22	66	33	22	66	33	22	---	---	---
	Input HP (Max) (C)	9.86	5.00	3.13	17.15	9.37	5.34	22.43	13.34	7.48	24.92	15.95	10.57	24.92	15.95	10.57	---	---	---
	Output Torque, In-Lb	9441	9441	8903	16413	17679	15203	21466	25176	21307	23852	30093	30093	23852	30093	30093	---	---	---
	OHL Input Shaft (A)	453	453	473	(A)	444	738	(A)	194	870	(A)	951	991	(A)	1453	1596	---	---	---
	OHL Output Shaft (B)	5433	5433	5433	5433	5433	5433	5433	5433	5433	5433	5433	5433	5433	5433	5433	---	---	---
56.47	Output RPM	61	31	21	61	31	21	61	31	21	61	31	21	---	---	---	---	---	---
	Input HP (Max) (C)	9.86	5.00	2.98	16.14	8.87	5.06	21.05	12.55	7.13	23.63	14.80	9.81	---	---	---	---	---	---
	Output Torque, In-Lb	10174	10174	9141	16648	18040	15517	21717	25532	21875	24377	30093	30093	---	---	---	---	---	---
	OHL Input Shaft (A)	454	473	(A)	423	438	739	(A)	187	870	(A)	952	988	---	---	---	---	---	---
	OHL Output Shaft (B)	5433	5433	5433	5433	5433	5433	5433	5433	5433	5433	5433	5433	---	---	---	---	---	---
61.12	Output RPM	56	29	19	56	29	19	56	29	19	56	29	19	---	---	---	---	---	---
	Input HP (Max) (C)	9.86	5.00	2.87	15.13	8.45	4.87	19.67	11.76	6.90	22.34	13.67	9.06	---	---	---	---	---	---
	Output Torque, In-Lb	11012	11012	9545	16888	18596	16165	21963	25893	22924	24947	30093	30093	---	---	---	---	---	---
	OHL Input Shaft (A)	452	473	(A)	390	738	(A)	181	867	(A)	950	990	---	---	---	---	---	---	---
	OHL Output Shaft (B)	5433	5433	5433	5433	5433	5433	5433	5433	5433	5433	5433	5433	---	---	---	---	---	---
66.48	Output RPM	52	26	17	52	26	17	52	26	17	52	26	17	---	---	---	---	---	---
	Input HP (Max) (C)	9.86	4.83	2.76	14.10	7.88	4.67	18.29	10.96	6.67	21.05	12.57	8.33	---	---	---	---	---	---
	Output Torque, In-Lb	11979	11571	9982	17123	18863	16880	22212	26245	24105	25568	30093	30093	---	---	---	---	---	---
	OHL Input Shaft (A)	456	456	473	(A)	384	737	(A)	176	779	(A)	952	992	---	---	---	---	---	---
	OHL Output Shaft (B)	5433	5433	5433	5433	5433	5433	5433	5433	5433	5433	5433	5433	---	---	---	---	---	---

(A) (B) (C) - See Footnote page on inside back cover
NOTE: Blank area (-) indicate configuration not available

NOMENCLATURE PAGE MSM-4	STOCK/NON-STOCK PART NUMBERS PAGE MSM-57	DIMENSIONS PAGE MSM-162	THERMAL RATINGS PAGE MSM-242
----------------------------	---	----------------------------	---------------------------------

SELECTION



MOTORIZED SHAFT MOUNT REDUCER (MSM)

Service Factor 1.0 - Clamp Collar / 3 Pc Coupled / Separate
DOUBLE REDUCTION

SIZE: MW1082
60 HZ

NEMA MOTOR FRAME IEC MOTOR FRAME SEPARATE GROUP		140TC 90D 90			180TC 100D 100			--- 112D 112			210TC 132D 132			250TC 160D 160			280TC 180D/200D 180		
RATIO	OUTPUT RATING DATA	3450	1750	1160	3450	1750	1160	3450	1750	1160	3450	1750	1160	3450	1750	1160	3450	1750	1160
72.74	Output RPM	47	24	16	47	24	16	47	24	16	47	24	16	---	---	---	---	---	---
	Input HP (Max) (C)	9.86	4.63	2.65	13.07	7.30	4.48	16.90	10.16	6.46	18.94	11.49	7.05	---	---	---	---	---	---
	Output Torque, In-Lb	13107	12128	10463	17364	19121	17715	22464	26614	25522	25171	30093	27862	---	---	---	---	---	---
	OHL Input Shaft OHL Output Shaft (B)	(A) 5433	455 5433	472 5433	(A) 5433	379 5433	742 5433	(A) 5433	168 5433	668 5433	(A) 5433	954 5433	996 5433	---	---	---	---	---	---

(A) (B) (C) - See Footnote page on inside back cover

NOTE: Blank area (-) indicate configuration not available

NOMENCLATURE PAGE MSM-4	STOCK/NON-STOCK PART NUMBERS PAGE MSM-57	DIMENSIONS PAGE MSM-162	THERMAL RATINGS PAGE MSM-242
----------------------------	---	----------------------------	---------------------------------

MOTORIZED SHAFT MOUNT REDUCER (MSM)
 Service Factor 1.0 - Clamp Collar / 3 Pc Coupled / Separate
TRIPLE REDUCTION

SIZE: MW1083
60 HZ

NEMA MOTOR FRAME IEC MOTOR FRAME SEPARATE GROUP		--- 80D 80			140TC 90D 90			180TC 100D 100			--- 112D 112			210TC 132D 132			250TC 160D 160		
RATIO	OUTPUT RATING DATA	3450	1750	1160	3450	1750	1160	3450	1750	1160	3450	1750	1160	3450	1750	1160	3450	1750	1160
49.04	Output RPM	---	---	---	---	---	---	---	---	---	70	36	24	70	36	24	70	36	24
	Input HP (Max) (C)	---	---	---	---	---	---	---	---	---	27.34	13.87	9.19	31.24	17.04	11.29	31.24	17.04	11.29
	Output Torque, In-Lb	---	---	---	---	---	---	---	---	---	24492	24492	24492	27983	30093	30093	27983	30093	30093
	OHL Input Shaft	---	---	---	---	---	---	---	---	---	(A)	838	873	(A)	952	992	(A)	1532	1595
OHL Output Shaft (B)	---	---	---	---	---	---	---	---	---	5433	5433	5433	5433	5433	5433	5433	5433	5433	5433
59.81	Output RPM	---	---	---	---	---	---	58	29	19	58	29	19	58	29	19	58	29	19
	Input HP (Max) (C)	---	---	---	---	---	---	20.42	10.36	6.87	27.11	13.87	9.19	27.11	13.97	9.26	27.11	13.97	9.26
	Output Torque, In-Lb	---	---	---	---	---	---	22310	22310	22310	29618	29873	29873	29618	30093	30093	29618	30093	30093
	OHL Input Shaft	---	---	---	---	---	---	(A)	713	742	(A)	843	868	(A)	956	995	(A)	1533	1596
OHL Output Shaft (B)	---	---	---	---	---	---	5433	5433	5433	5433	5433	5433	5433	5433	5433	5433	5433	5433	5433
70.08	Output RPM	---	---	---	---	---	---	49	25	17	49	25	17	49	25	17	---	---	---
	Input HP (Max) (C)	---	---	---	---	---	---	20.42	10.36	6.73	23.50	11.92	7.90	23.50	11.92	7.90	---	---	---
	Output Torque, In-Lb	---	---	---	---	---	---	26142	26142	25645	30093	30093	30093	30093	30093	30093	---	---	---
	OHL Input Shaft	---	---	---	---	---	---	(A)	713	742	(A)	838	873	(A)	957	996	---	---	---
OHL Output Shaft (B)	---	---	---	---	---	---	5433	5433	5433	5433	5433	5433	5433	5433	5433	---	---	---	---
82.39	Output RPM	42	21	14	42	21	14	42	21	14	42	21	14	42	21	14	---	---	---
	Input HP (Max) (C)	4.85	2.46	1.63	9.86	5.00	3.32	20.00	10.14	6.35	20.00	10.14	6.72	20.00	10.14	6.72	---	---	---
	Output Torque, In-Lb	7292	7292	7292	14844	14844	14844	30093	30093	28434	30093	30093	30093	30093	30093	30093	---	---	---
	OHL Input Shaft	(A)	346	360	(A)	453	471	(A)	712	742	(A)	836	871	(A)	958	997	---	---	---
OHL Output Shaft (B)	5433	5433	5433	5433	5433	5433	5433	5433	5433	5433	5433	5433	5433	5433	5433	---	---	---	---
94.52	Output RPM	36	19	12	36	19	12	36	19	12	36	19	12	36	19	12	---	---	---
	Input HP (Max) (C)	4.85	2.46	1.63	9.86	5.00	3.32	17.43	8.84	5.86	17.43	8.84	5.86	17.43	8.84	5.86	---	---	---
	Output Torque, In-Lb	8366	8366	8366	17031	17031	17031	30093	30093	30093	30093	30093	30093	30093	30093	30093	---	---	---
	OHL Input Shaft	(A)	346	360	(A)	454	473	(A)	713	742	(A)	840	874	(A)	958	998	---	---	---
OHL Output Shaft (B)	5433	5433	5433	5433	5433	5433	5433	5433	5433	5433	5433	5433	5433	5433	5433	---	---	---	---
111.56	Output RPM	31	16	10	31	16	10	31	16	10	31	16	10	31	16	10	---	---	---
	Input HP (Max) (C)	4.85	2.46	1.63	9.86	5.00	3.32	14.77	7.49	4.96	14.77	7.49	4.96	14.77	7.49	4.96	---	---	---
	Output Torque, In-Lb	9874	9874	9874	20102	20102	20102	30093	30093	30093	30093	30093	30093	30093	30093	30093	---	---	---
	OHL Input Shaft	(A)	346	360	(A)	452	470	(A)	714	743	(A)	842	876	(A)	959	998	---	---	---
OHL Output Shaft (B)	5433	5433	5433	5433	5433	5433	5433	5433	5433	5433	5433	5433	5433	5433	5433	---	---	---	---
120.93	Output RPM	29	14	10	29	14	10	29	14	10	29	14	10	29	14	10	---	---	---
	Input HP (Max) (C)	4.85	2.46	1.63	9.86	5.00	3.32	13.62	6.91	4.58	13.62	6.91	4.58	13.62	6.91	4.58	---	---	---
	Output Torque, In-Lb	10703	10703	10703	21788	21788	21788	30093	30093	30093	30093	30093	30093	30093	30093	30093	---	---	---
	OHL Input Shaft	(A)	346	360	(A)	456	474	(A)	714	736	(A)	843	877	(A)	959	998	---	---	---
OHL Output Shaft (B)	5433	5433	5433	5433	5433	5433	5433	5433	5433	5433	5433	5433	5433	5433	5433	---	---	---	---
134.45	Output RPM	26	13	9	26	13	9	26	13	9	26	13	9	26	13	9	---	---	---
	Input HP (Max) (C)	4.85	2.46	1.63	9.86	5.00	3.25	12.25	6.22	4.12	12.25	6.22	4.12	12.25	6.22	4.12	---	---	---
	Output Torque, In-Lb	11900	11900	11900	24225	24225	23715	30093	30093	30093	30093	30093	30093	30093	30093	30093	---	---	---
	OHL Input Shaft	(A)	346	360	(A)	456	474	(A)	709	738	(A)	843	878	(A)	959	998	---	---	---
OHL Output Shaft (B)	5433	5433	5433	5433	5433	5433	5433	5433	5433	5433	5433	5433	5433	5433	5433	---	---	---	---
146.04	Output RPM	24	12	8	24	12	8	24	12	8	24	12	8	---	---	---	---	---	---
	Input HP (Max) (C)	4.85	2.46	1.63	9.86	5.00	3.13	11.28	5.72	3.79	11.28	5.72	3.79	---	---	---	---	---	---
	Output Torque, In-Lb	12926	12926	12926	26314	26314	24816	30093	30093	30093	30093	30093	30093	---	---	---	---	---	---
	OHL Input Shaft	(A)	346	360	(A)	455	475	(A)	710	736	(A)	844	878	---	---	---	---	---	---
OHL Output Shaft (B)	5433	5433	5433	5433	5433	5433	5433	5433	5433	5433	5433	5433	---	---	---	---	---	---	

(A) (B) (C) - See Footnote page on inside back cover
 NOTE: Blank area (-) indicate configuration not available

NOMENCLATURE PAGE MSM-4	STOCK/NON-STOCK PART NUMBERS PAGE MSM-57	DIMENSIONS PAGE MSM-162	THERMAL RATINGS PAGE MSM-242
----------------------------	---	----------------------------	---------------------------------

MOTORIZED SHAFT MOUNT REDUCER (MSM) Service Factor 1.0 - Clamp Collar / 3 Pc Coupled / Separate TRIPLE REDUCTION

**SIZE: MW1083
60 HZ**

NEMA MOTOR FRAME IEC MOTOR FRAME SEPARATE GROUP		---			140TC			180TC			---			210TC			250TC		
		80D			90D			100D			112D			132D			160D		
		80			90			100			112			132			160		
RATIO	OUTPUT RATING DATA	3450	1750	1160	3450	1750	1160	3450	1750	1160	3450	1750	1160	3450	1750	1160	3450	1750	1160
161.54	Output RPM	21	11	7	21	11	7	21	11	7	21	11	7	---	---	---	---	---	---
	Input HP (Max) (C)	4.85	2.46	1.63	9.86	5.00	2.98	10.20	5.17	3.43	10.20	5.17	3.43	---	---	---	---	---	---
	Output Torque, In-Lb	14298	14298	14298	29106	29106	26152	30093	30093	30093	30093	30093	30093	---	---	---	---	---	---
	OHL Input Shaft	(A)	346	360	(A)	454	475	(A)	709	738	(A)	844	879	---	---	---	---	---	---
OHL Output Shaft (B)	5433	5433	5433	5433	5433	5433	5433	5433	5433	5433	5433	5433	---	---	---	---	---	---	
173.42	Output RPM	20	10	7	20	10	7	20	10	7	20	10	7	---	---	---	---	---	---
	Input HP (Max) (C)	4.85	2.46	1.63	9.50	4.82	2.87	9.50	4.82	3.19	9.50	4.82	3.19	---	---	---	---	---	---
	Output Torque, In-Lb	15350	15350	15350	30093	30093	27083	30093	30093	30093	30093	30093	30093	---	---	---	---	---	---
	OHL Input Shaft	(A)	346	359	(A)	454	475	(A)	710	739	(A)	844	879	---	---	---	---	---	---
OHL Output Shaft (B)	5433	5433	5433	5433	5433	5433	5433	5433	5433	5433	5433	5433	---	---	---	---	---	---	
186.89	Output RPM	18	9	6	18	9	6	18	9	6	18	9	6	---	---	---	---	---	---
	Input HP (Max) (C)	4.85	2.46	1.63	8.81	4.47	2.76	8.81	4.47	2.96	8.81	4.47	2.96	---	---	---	---	---	---
	Output Torque, In-Lb	16542	16542	16542	30093	30093	28060	30093	30093	30093	30093	30093	30093	---	---	---	---	---	---
	OHL Input Shaft	(A)	345	359	(A)	455	474	(A)	711	740	(A)	845	879	---	---	---	---	---	---
OHL Output Shaft (B)	5433	5433	5433	5433	5433	5433	5433	5433	5433	5433	5433	5433	---	---	---	---	---	---	
202.29	Output RPM	17	9	6	17	9	6	17	9	6	17	9	6	---	---	---	---	---	---
	Input HP (Max) (C)	4.85	2.46	1.63	8.14	4.13	2.65	8.14	4.13	2.74	8.14	4.13	2.74	---	---	---	---	---	---
	Output Torque, In-Lb	17904	17904	17904	30093	30093	29094	30093	30093	30093	30093	30093	30093	---	---	---	---	---	---
	OHL Input Shaft	(A)	345	359	(A)	455	474	(A)	712	741	(A)	845	879	---	---	---	---	---	---
OHL Output Shaft (B)	5433	5433	5433	5433	5433	5433	5433	5433	5433	5433	5433	5433	---	---	---	---	---	---	
220.05	Output RPM	16	8	5	16	8	5	16	8	5	16	8	5	---	---	---	---	---	---
	Input HP (Max) (C)	4.85	2.46	1.63	7.49	3.80	2.52	7.49	3.80	2.52	7.49	3.80	2.52	---	---	---	---	---	---
	Output Torque, In-Lb	19476	19476	19476	30093	30093	30093	30093	30093	30093	30093	30093	30093	---	---	---	---	---	---
	OHL Input Shaft	(A)	344	358	(A)	456	474	(A)	712	742	(A)	845	879	---	---	---	---	---	---
OHL Output Shaft (B)	5433	5433	5433	5433	5433	5433	5433	5433	5433	5433	5433	5433	---	---	---	---	---	---	
240.77	Output RPM	14	7	5	14	7	5	14	7	5	14	7	5	---	---	---	---	---	---
	Input HP (Max) (C)	4.85	2.46	1.56	6.84	3.47	2.30	6.84	3.47	2.30	6.84	3.47	2.30	---	---	---	---	---	---
	Output Torque, In-Lb	21310	21310	20438	30093	30093	30093	30093	30093	30093	30093	30093	30093	---	---	---	---	---	---
	OHL Input Shaft	(A)	344	358	(A)	456	475	(A)	713	742	(A)	845	879	---	---	---	---	---	---
OHL Output Shaft (B)	5433	5433	5433	5433	5433	5433	5433	5433	5433	5433	5433	5433	---	---	---	---	---	---	

(A) (B) (C) - See Footnote page on inside back cover
NOTE: Blank area (-) indicate configuration not available

NOMENCLATURE PAGE MSM-4	STOCK/NON-STOCK PART NUMBERS PAGE MSM-57	DIMENSIONS PAGE MSM-162	THERMAL RATINGS PAGE MSM-242
----------------------------	---	----------------------------	---------------------------------

MOTORIZED SHAFT MOUNT REDUCER (MSM)

Service Factor 1.0 - Clamp Collar / 3 Pc Coupled / Separate
DOUBLE REDUCTION

SIZE: MW1282
60 HZ

NEMA MOTOR FRAME IEC MOTOR FRAME SEPARATE GROUP		180TC 100D 100			--- 112D 112			210TC 132D 132			250TC 160D 160			280TC 180D / 200D 180			320TC 225D 225		
RATIO	OUTPUT RATING DATA	3450	1750	1160	3450	1750	1160	3450	1750	1160	3450	1750	1160	3450	1750	1160	3450	1750	1160
6.86	Output RPM	---	---	---	---	---	---	---	---	---	503	255	169	503	255	169	503	255	169
	Input HP (Max) (C)	---	---	---	---	---	---	---	---	---	89.63	45.47	30.14	182.55	92.60	61.38	199.92	133.21	74.42
	Output Torque, In-Lb	---	---	---	---	---	---	---	---	---	11227	11227	11227	22867	22867	22867	25041	32894	27724
	OHL Input Shaft	---	---	---	---	---	---	---	---	---	(A)	1523	1587	(A)	1739	2487	(A)	2184	2284
	OHL Output Shaft (B)	---	---	---	---	---	---	---	---	---	(A)	6777	6777	(A)	6777	6777	(A)	6777	6777
9.12	Output RPM	---	---	---	---	---	---	---	---	---	378	192	127	378	192	127	378	192	127
	Input HP (Max) (C)	---	---	---	---	---	---	---	---	---	89.63	45.47	30.14	174.06	92.60	61.18	174.06	115.99	71.76
	Output Torque, In-Lb	---	---	---	---	---	---	---	---	---	14938	14938	14938	29009	30425	30325	29009	38108	35571
	OHL Input Shaft	---	---	---	---	---	---	---	---	---	(A)	1474	1586	(A)	1631	2470	(A)	2191	2274
	OHL Output Shaft (B)	---	---	---	---	---	---	---	---	---	(A)	6777	6777	(A)	6777	6777	(A)	6777	6777
10.56	Output RPM	---	---	---	---	---	---	327	166	110	327	166	110	327	166	110	327	166	110
	Input HP (Max) (C)	---	---	---	---	---	---	64.54	32.08	17.88	89.63	45.47	30.14	161.31	92.60	59.69	161.31	107.48	69.87
	Output Torque, In-Lb	---	---	---	---	---	---	12455	12206	10262	17297	17297	17297	31129	35229	34259	31129	40891	40099
	OHL Input Shaft	---	---	---	---	---	---	(A)	950	992	(A)	1442	1585	(A)	1562	2490	(A)	2194	2287
	OHL Output Shaft (B)	---	---	---	---	---	---	(A)	6777	6777	(A)	6777	6777	(A)	6777	6777	(A)	6777	6777
12.47	Output RPM	---	---	---	---	---	---	277	140	93	277	140	93	277	140	93	277	140	93
	Input HP (Max) (C)	---	---	---	---	---	---	64.54	30.93	17.24	89.63	45.47	30.14	147.43	92.60	57.33	147.43	98.14	65.97
	Output Torque, In-Lb	---	---	---	---	---	---	14705	13894	11681	20421	20421	20421	33588	41592	38845	33588	44080	44699
	OHL Input Shaft	---	---	---	---	---	---	(A)	950	993	(A)	1397	1578	(A)	1297	2489	(A)	2194	2288
	OHL Output Shaft (B)	---	---	---	---	---	---	(A)	6777	6777	(A)	6777	6777	(A)	6777	6777	(A)	6777	6777
13.92	Output RPM	---	---	---	248	126	83	248	126	83	248	126	83	248	126	83	248	126	83
	Input HP (Max) (C)	---	---	---	27.34	13.87	9.19	64.54	30.05	16.74	89.63	45.47	30.14	138.63	89.76	55.53	138.63	89.76	60.33
	Output Torque, In-Lb	---	---	---	6955	6955	6955	16418	15070	12668	22801	22801	22801	35264	45011	42012	35264	45011	45639
	OHL Input Shaft	---	---	---	(A)	838	873	(A)	950	993	(A)	1363	1585	(A)	1177	2487	(A)	2198	2291
	OHL Output Shaft (B)	---	---	---	6777	6777	6777	6777	6777	6777	6777	6777	6777	6777	6777	6777	6777	6777	6777
16.27	Output RPM	---	---	---	212	108	71	212	108	71	212	108	71	212	108	71	212	108	71
	Input HP (Max) (C)	---	---	---	27.34	13.87	9.19	64.54	28.68	15.98	89.63	45.47	29.02	126.76	78.94	52.96	126.76	78.94	53.05
	Output Torque, In-Lb	---	---	---	8126	8126	8126	19185	16806	14130	26642	26642	26642	37678	46256	46815	37678	46256	46898
	OHL Input Shaft	---	---	---	(A)	843	869	(A)	949	994	(A)	1308	1584	(A)	1219	2479	(A)	2183	2278
	OHL Output Shaft (B)	---	---	---	6777	6777	6777	6777	6777	6777	6777	6777	6777	6777	6777	6777	6777	6777	6777
18.65	Output RPM	---	---	---	185	94	62	185	94	62	185	94	62	185	94	62	185	94	62
	Input HP (Max) (C)	---	---	---	27.34	13.87	9.19	64.54	27.30	15.21	89.63	45.47	27.54	116.96	70.38	47.30	116.96	70.38	47.30
	Output Torque, In-Lb	---	---	---	9317	9317	9317	21995	18337	15415	30545	30545	27908	39856	47282	47943	39856	47282	47943
	OHL Input Shaft	---	---	---	(A)	843	877	(A)	947	994	(A)	1218	1580	(A)	1250	2487	(A)	2192	2285
	OHL Output Shaft (B)	---	---	---	6777	6777	6777	6777	6777	6777	6777	6777	6777	6777	6777	6777	6777	6777	6777
21.57	Output RPM	---	---	---	160	81	54	160	81	54	160	81	54	160	81	54	160	81	54
	Input HP (Max) (C)	---	---	---	27.34	13.87	9.19	63.18	25.68	14.32	89.63	45.47	25.89	107.16	62.20	41.80	107.16	62.20	41.80
	Output Torque, In-Lb	---	---	---	10772	10772	10772	24892	19947	16774	35315	35315	30335	42219	48313	48980	42219	48313	48980
	OHL Input Shaft	---	---	---	(A)	842	877	(A)	946	994	(A)	1008	1576	(A)	1278	2492	(A)	2198	2291
	OHL Output Shaft (B)	---	---	---	6777	6777	6777	6777	6777	6777	6777	6777	6777	6777	6777	6777	6777	6777	6777
22.39	Output RPM	154	78	52	154	78	52	154	78	52	154	78	52	154	78	52	154	78	52
	Input HP (Max) (C)	20.42	10.36	6.87	27.34	13.87	9.19	61.33	25.23	14.06	89.63	45.47	25.42	104.76	60.26	40.50	104.76	60.26	40.50
	Output Torque, In-Lb	8350	8350	8350	11180	11180	11180	25082	20342	17103	36654	36654	30920	42839	48581	49258	42839	48581	49258
	OHL Input Shaft	(A)	708	738	(A)	841	876	(A)	946	995	(A)	950	1590	(A)	1284	2493	(A)	2199	2292
	OHL Output Shaft (B)	6777	6777	6777	6777	6777	6777	6777	6777	6777	6777	6777	6777	6777	6777	6777	6777	6777	6777

(A) (B) (C) - See Footnote page on inside back cover
NOTE: Blank area (-) indicate configuration not available

NOMENCLATURE PAGE MSM-4	STOCK/NON-STOCK PART NUMBERS PAGE MSM-57	DIMENSIONS PAGE MSM-178	THERMAL RATINGS PAGE MSM-242
----------------------------	---	----------------------------	---------------------------------

MOTORIZED SHAFT MOUNT REDUCER (MSM)

Service Factor 1.0 - Clamp Collar / 3 Pc Coupled / Separate
DOUBLE REDUCTION

SIZE: MW1282
60 HZ

NEMA MOTOR FRAME IEC MOTOR FRAME SEPARATE GROUP		180TC 100D 100			--- 112D 112			210TC 132D 132			250TC 160D 160			280TC 180D / 200D 180			320TC 225D 225		
RATIO	OUTPUT RATING DATA	3450	1750	1160	3450	1750	1160	3450	1750	1160	3450	1750	1160	3450	1750	1160	3450	1750	1160
23.96	Output RPM	144	73	48	144	73	48	144	73	48	144	73	48	144	73	48	144	73	48
	Input HP (Max) (C)	20.42	10.36	6.87	27.34	13.87	9.19	64.54	32.74	19.83	80.05	45.47	30.14	78.02	51.99	36.47	78.02	51.99	36.47
	Output Torque, In-Lb	8939	8939	8939	11969	11969	11969	28256	28256	25819	35044	39240	39240	34157	44868	47491	34157	44868	47491
	OHL Input Shaft	(A)	713	742	(A)	843	869	(A)	949	985	(A)	1360	1578	(A)	1771	2090	(A)	2201	2290
	OHL Output Shaft (B)	6777	6777	6777	6777	6777	6777	6777	6777	6777	6777	6777	6777	6777	6777	6777	6777	6777	6777
24.77	Output RPM	139	71	47	139	71	47	139	71	47	139	71	47	139	71	47	139	71	47
	Input HP (Max) (C)	20.42	10.36	6.87	27.34	13.87	9.07	56.53	24.08	13.42	76.66	43.37	24.37	98.42	55.23	37.12	98.42	55.23	37.12
	Output Torque, In-Lb	9239	9239	9239	12371	12371	12202	25580	21482	18063	34688	38689	32801	44536	49267	49951	44536	49267	49951
	OHL Input Shaft	(A)	711	735	(A)	839	875	(A)	953	995	(A)	1300	1591	(A)	1900	2495	(A)	2201	2295
	OHL Output Shaft (B)	6777	6777	6777	6777	6777	6777	6777	6777	6777	6777	6777	6777	6777	6777	6777	6777	6777	6777
27.66	Output RPM	125	63	42	125	63	42	125	63	42	125	63	42	125	63	42	125	63	42
	Input HP (Max) (C)	20.42	10.36	6.87	27.34	13.87	9.19	64.54	32.74	19.44	71.23	45.47	30.14	70.30	46.84	32.86	70.30	46.84	32.86
	Output Torque, In-Lb	10316	10316	10316	13813	13813	13813	32610	32610	29209	35989	45287	45287	35518	46656	49383	35518	46656	49383
	OHL Input Shaft	(A)	713	742	(A)	843	877	(A)	951	990	(A)	1332	1583	(A)	1775	2094	(A)	2203	2293
	OHL Output Shaft (B)	6777	6777	6777	6777	6777	6777	6777	6777	6777	6777	6777	6777	6777	6777	6777	6777	6777	6777
32.50	Output RPM	106	54	36	106	54	36	106	54	36	106	54	36	106	54	36	106	54	36
	Input HP (Max) (C)	20.42	10.36	6.87	27.34	13.87	9.19	62.56	32.74	19.11	62.56	41.68	28.57	62.56	41.68	28.57	62.56	41.68	28.57
	Output Torque, In-Lb	12122	12122	12122	16231	16231	16231	37137	38317	33733	37137	48785	50451	37137	48785	50451	37137	48785	50451
	OHL Input Shaft	(A)	711	740	(A)	842	877	(A)	948	986	(A)	1266	1548	(A)	1775	2110	(A)	2205	2296
	OHL Output Shaft (B)	6777	6777	6777	6777	6777	6777	6777	6777	6777	6777	6777	6777	6777	6777	6777	6777	6777	6777
36.83	Output RPM	94	48	31	94	48	31	94	48	31	94	48	31	94	48	31	94	48	31
	Input HP (Max) (C)	20.42	10.36	6.87	27.34	13.87	9.19	57.17	32.74	18.42	57.17	38.04	25.21	57.17	38.04	25.21	57.17	38.04	25.21
	Output Torque, In-Lb	13736	13736	13736	18393	18393	18393	38460	43421	36850	38460	50451	50451	38460	50451	50451	38460	50451	50451
	OHL Input Shaft	(A)	708	738	(A)	839	874	(A)	944	992	(A)	1199	1569	(A)	1774	2131	(A)	2206	2298
	OHL Output Shaft (B)	6777	6777	6777	6777	6777	6777	6777	6777	6777	6777	6777	6777	6777	6777	6777	6777	6777	6777
43.21	Output RPM	80	40	27	80	40	27	80	40	27	80	40	27	80	40	27	80	40	27
	Input HP (Max) (C)	20.42	10.36	6.87	27.34	13.87	9.19	50.97	31.21	17.72	50.97	32.42	21.49	50.97	32.42	21.49	50.97	32.42	21.49
	Output Torque, In-Lb	16119	16119	16119	21583	21583	21583	40236	48580	41601	40236	50451	50451	40236	50451	50451	40236	50451	50451
	OHL Input Shaft	(A)	709	739	(A)	840	869	(A)	940	992	(A)	1206	1590	(A)	1797	2154	(A)	2205	2300
	OHL Output Shaft (B)	6777	6777	6777	6777	6777	6777	6777	6777	6777	6777	6777	6777	6777	6777	6777	6777	6777	6777
47.14	Output RPM	73	37	25	73	37	25	73	37	25	73	37	25	73	37	25	---	---	---
	Input HP (Max) (C)	20.42	10.36	6.87	27.34	13.87	9.19	47.70	29.19	16.82	47.89	29.72	19.70	47.89	29.72	19.70	---	---	---
	Output Torque, In-Lb	17585	17585	17585	23545	23545	23545	41080	49561	43079	41244	50451	50451	41244	50451	50451	---	---	---
	OHL Input Shaft	(A)	712	736	(A)	837	873	(A)	940	992	(A)	1235	1580	(A)	1807	2165	---	---	---
	OHL Output Shaft (B)	6777	6777	6777	6777	6777	6777	6777	6777	6777	6777	6777	6777	6777	6777	6777	---	---	---
51.43	Output RPM	67	34	23	67	34	23	67	34	23	67	34	23	67	34	23	---	---	---
	Input HP (Max) (C)	20.42	10.36	6.87	27.34	13.87	9.19	44.37	27.24	16.06	45.01	27.24	18.06	45.01	27.24	18.06	---	---	---
	Output Torque, In-Lb	19182	19182	19182	25684	25684	25684	41687	50451	44880	42285	50451	50451	42285	50451	50451	---	---	---
	OHL Input Shaft	(A)	556	740	(A)	611	873	(A)	940	992	(A)	1262	1584	(A)	1818	2175	---	---	---
	OHL Output Shaft (B)	6777	6777	6777	6777	6777	6777	6777	6777	6777	6777	6777	6777	6777	6777	6777	---	---	---
55.50	Output RPM	62	32	21	62	32	21	62	32	21	62	32	21	62	32	21	---	---	---
	Input HP (Max) (C)	19.74	10.36	6.83	25.84	13.87	8.83	41.60	25.24	15.05	42.63	25.24	16.73	42.63	25.24	16.73	---	---	---
	Output Torque, In-Lb	20008	20700	20597	26196	27718	26609	42174	50451	45392	43224	50451	50451	43224	50451	50451	---	---	---
	OHL Input Shaft	(A)	514	738	(A)	674	877	(A)	940	992	(A)	1281	1586	(A)	1826	2183	---	---	---
	OHL Output Shaft (B)	6777	6777	6777	6777	6777	6777	6777	6777	6777	6777	6777	6777	6777	6777	6777	---	---	---

(A) (B) (C) - See Footnote page on inside back cover
NOTE: Blank area (-) indicate configuration not available

NOMENCLATURE PAGE MSM-4	STOCK/NON-STOCK PART NUMBERS PAGE MSM-57	DIMENSIONS PAGE MSM-178	THERMAL RATINGS PAGE MSM-242
----------------------------	---	----------------------------	---------------------------------

MOTORIZED SHAFT MOUNT REDUCER (MSM) Service Factor 1.0 - Clamp Collar / 3 Pc Coupled / Separate DOUBLE REDUCTION

**SIZE: MW1282
60 HZ**

NEMA MOTOR FRAME IEC MOTOR FRAME SEPARATE GROUP		180TC 100D 100			--- 112D 112			210TC 132D 132			250TC 160D 160			280TC 180D / 200D 180			320TC 225D 225		
RATIO	OUTPUT RATING DATA	3450	1750	1160	3450	1750	1160	3450	1750	1160	3450	1750	1160	3450	1750	1160	3450	1750	1160
62.03	Output RPM	56	28	19	56	28	19	56	28	19	56	28	19	---	---	---	---	---	---
	Input HP (Max) (C)	18.04	9.82	6.58	23.50	13.87	8.49	37.82	22.59	14.51	39.39	22.59	14.97	---	---	---	---	---	---
	Output Torque, In-Lb	20439	21926	22161	26630	30978	28611	42848	50451	48911	44632	50451	50451	---	---	---	---	---	---
	OHL Input Shaft OHL Output Shaft (B)	(A) 6777 6777	(A) 437 6777	736 6777	(A) 253 6777	836 6777	(A) 369 6777	990 6777	(A) 1307 6777	1583 6777	---	---	---	---	---	---	---	---	---
66.44	Output RPM	52	26	17	52	26	17	52	26	17	52	26	17	---	---	---	---	---	---
	Input HP (Max) (C)	17.05	9.28	6.32	22.14	13.60	8.16	35.62	21.08	13.98	37.50	21.08	13.98	---	---	---	---	---	---
	Output Torque, In-Lb	20691	22194	22798	26878	32535	29462	43237	50451	50451	45516	50451	50451	---	---	---	---	---	---
	OHL Input Shaft OHL Output Shaft (B)	(A) 6777 6777	(A) 432 6777	724 6777	(A) 153 6777	792 6777	(A) 414 6777	989 6777	(A) 1323 6777	1586 6777	---	---	---	---	---	---	---	---	---
71.45	Output RPM	48	24	16	48	24	16	48	24	16	---	---	---	---	---	---	---	---	---
	Input HP (Max) (C)	16.04	8.73	6.00	20.79	12.80	7.87	33.43	19.61	13.00	---	---	---	---	---	---	---	---	---
	Output Torque, In-Lb	20940	22467	23306	27134	32939	30565	43637	50451	50451	---	---	---	---	---	---	---	---	---
	OHL Input Shaft OHL Output Shaft (B)	(A) 6777 6777	(A) 428 6777	700 6777	(A) 147 6777	728 6777	(A) 453 6777	991 6777	---	---	---	---	---	---	---	---	---	---	---
77.17	Output RPM	45	23	15	45	23	15	45	23	15	---	---	---	---	---	---	---	---	---
	Input HP (Max) (C)	15.03	8.18	5.62	19.43	11.99	7.46	31.23	18.15	12.03	---	---	---	---	---	---	---	---	---
	Output Torque, In-Lb	21195	22742	23580	27388	33322	31274	44026	50451	50451	---	---	---	---	---	---	---	---	---
	OHL Input Shaft OHL Output Shaft (B)	(A) 6777 6777	(A) 423 6777	695 6777	(A) 141 6777	695 6777	(A) 495 6777	993 6777	---	---	---	---	---	---	---	---	---	---	---

(A) (B) (C) - See Footnote page on inside back cover
NOTE: Blank area (-) indicate configuration not available

NOMENCLATURE PAGE MSM-4	STOCK/NON-STOCK PART NUMBERS PAGE MSM-57	DIMENSIONS PAGE MSM-178	THERMAL RATINGS PAGE MSM-242
----------------------------	---	----------------------------	---------------------------------

MOTORIZED SHAFT MOUNT REDUCER (MSM)

SIZE: MW1283

Service Factor 1.0 - Clamp Collar / 3 Pc Coupled / Separate

60 HZ

TRIPLE REDUCTION

NEMA MOTOR FRAME IEC MOTOR FRAME SEPARATE GROUP		140TC 90D 90			180TC 100D 100			--- 112D 112			210TC 132D 132			250TC 160D 160			280TC 180D/ 200D 180		
RATIO	OUTPUT RATING DATA	3450	1750	1160	3450	1750	1160	3450	1750	1160	3450	1750	1160	3450	1750	1160	3450	1750	1160
43.47	Output RPM	---	---	---	---	---	---	---	---	---	79	40	27	79	40	27	79	40	27
	Input HP (Max) (C)	---	---	---	---	---	---	---	---	---	59.02	32.74	20.52	59.02	34.49	22.86	59.02	34.49	22.86
	Output Torque, In-Lb	---	---	---	---	---	---	---	---	---	46864	51253	48451	46864	53991	53991	46864	53991	53989
	OHL Input Shaft	---	---	---	---	---	---	---	---	---	(A)	949	989	(A)	1529	1592	(A)	2096	2451
OHL Output Shaft (B)	---	---	---	---	---	---	---	---	---	6777	6777	6777	6777	6777	6777	6777	6777	6777	6777
50.57	Output RPM	---	---	---	---	---	---	---	---	---	68	35	23	68	35	23	68	35	23
	Input HP (Max) (C)	---	---	---	---	---	---	---	---	---	53.93	29.64	19.65	53.93	29.64	19.65	53.93	29.64	19.65
	Output Torque, In-Lb	---	---	---	---	---	---	---	---	---	49820	53991	53991	49820	53991	53991	49820	53991	53989
	OHL Input Shaft	---	---	---	---	---	---	---	---	---	(A)	951	991	(A)	1518	1582	(A)	2115	2470
OHL Output Shaft (B)	---	---	---	---	---	---	---	---	---	6777	6777	6777	6777	6777	6777	6777	6777	6777	6777
56.05	Output RPM	---	---	---	---	---	---	62	31	21	62	31	21	62	31	21	62	31	21
	Input HP (Max) (C)	---	---	---	---	---	---	27.34	13.87	9.19	50.68	26.75	17.73	50.68	26.75	17.73	50.68	26.75	17.73
	Output Torque, In-Lb	---	---	---	---	---	---	27995	27995	27995	51890	53991	53991	51890	53991	53991	51890	53991	53989
	OHL Input Shaft	---	---	---	---	---	---	(A)	837	872	(A)	953	993	(A)	1523	1586	(A)	2127	2484
OHL Output Shaft (B)	---	---	---	---	---	---	6777	6777	6777	6777	6777	6777	6777	6777	6777	6777	6777	6777	6777
66.61	Output RPM	---	---	---	52	26	17	52	26	17	52	26	17	52	26	17	52	26	17
	Input HP (Max) (C)	---	---	---	20.42	10.36	6.87	27.34	13.87	9.19	44.37	22.51	14.92	44.37	22.51	14.92	44.37	22.51	14.92
	Output Torque, In-Lb	---	---	---	24845	24845	24845	33267	33267	33267	53991	53991	53991	53991	53991	53991	53991	53991	53991
	OHL Input Shaft	---	---	---	(A)	713	742	(A)	843	877	(A)	955	994	(A)	1521	1584	(A)	2144	2502
OHL Output Shaft (B)	---	---	---	6777	6777	6777	6777	6777	6777	6777	6777	6777	6777	6777	6777	6777	6777	6777	6777
76.87	Output RPM	---	---	---	45	23	15	45	23	15	45	23	15	45	23	15	---	---	---
	Input HP (Max) (C)	---	---	---	20.42	10.36	6.87	27.34	13.87	9.19	38.45	19.50	12.93	38.45	19.50	12.93	---	---	---
	Output Torque, In-Lb	---	---	---	28673	28673	28673	38393	38393	38393	53991	53991	53991	53991	53991	53991	---	---	---
	OHL Input Shaft	---	---	---	(A)	713	742	(A)	843	877	(A)	956	986	(A)	1526	1589	---	---	---
OHL Output Shaft (B)	---	---	---	6777	6777	6777	6777	6777	6777	6777	6777	6777	6777	6777	6777	---	---	---	---
90.32	Output RPM	38	19	13	38	19	13	38	19	13	38	19	13	38	19	13	---	---	---
	Input HP (Max) (C)	9.86	5.00	3.32	20.42	10.36	6.87	27.34	13.87	9.19	32.72	16.60	11.00	32.72	16.60	11.00	---	---	---
	Output Torque, In-Lb	16274	16274	16274	33691	33691	33691	45112	45112	45112	53991	53991	53991	53991	53991	53991	---	---	---
	OHL Input Shaft	(A)	453	471	(A)	711	740	(A)	841	876	(A)	951	991	(A)	1529	1593	---	---	---
OHL Output Shaft (B)	6777	6777	6777	6777	6777	6777	6777	6777	6777	6777	6777	6777	6777	6777	6777	---	---	---	---
102.35	Output RPM	34	17	11	34	17	11	34	17	11	34	17	11	34	17	11	---	---	---
	Input HP (Max) (C)	9.86	5.00	3.32	20.42	10.36	6.87	27.34	13.87	9.07	28.87	14.65	9.71	28.87	14.65	9.71	---	---	---
	Output Torque, In-Lb	18442	18442	18442	38179	38179	38179	51121	51121	50422	53991	53991	53991	53991	53991	53991	---	---	---
	OHL Input Shaft	(A)	454	473	(A)	708	738	(A)	838	874	(A)	949	989	(A)	1531	1594	---	---	---
OHL Output Shaft (B)	6777	6777	6777	6777	6777	6777	6777	6777	6777	6777	6777	6777	6777	6777	6777	---	---	---	---
120.11	Output RPM	29	15	10	29	15	10	29	15	10	29	15	10	29	15	10	---	---	---
	Input HP (Max) (C)	9.86	5.00	3.32	20.42	10.36	6.41	24.61	12.48	8.27	24.61	12.48	8.27	24.61	12.48	8.27	---	---	---
	Output Torque, In-Lb	21642	21642	21642	44802	44802	41853	53991	53991	53991	53991	53991	53991	53991	53991	53991	---	---	---
	OHL Input Shaft	(A)	452	470	(A)	709	737	(A)	839	874	(A)	953	992	(A)	1532	1595	---	---	---
OHL Output Shaft (B)	6777	6777	6777	6777	6777	6777	6777	6777	6777	6777	6777	6777	6777	6777	6777	---	---	---	---
131.03	Output RPM	26	13	9	26	13	9	26	13	9	26	13	9	---	---	---	---	---	---
	Input HP (Max) (C)	9.86	5.00	3.32	20.42	10.36	6.15	22.56	11.44	7.58	22.56	11.44	7.58	---	---	---	---	---	---
	Output Torque, In-Lb	23609	23609	23609	48875	48875	43812	53991	53991	53991	53991	53991	53991	---	---	---	---	---	---
	OHL Input Shaft	(A)	456	474	(A)	712	736	(A)	841	876	(A)	955	994	---	---	---	---	---	---
OHL Output Shaft (B)	6777	6777	6777	6777	6777	6777	6777	6777	6777	6777	6777	6777	---	---	---	---	---	---	---

(A) (B) (C) - See Footnote page on inside back cover
 NOTE: Blank area (-) indicate configuration not available

NOMENCLATURE PAGE MSM-4	STOCK/NON-STOCK PART NUMBERS PAGE MSM-57	DIMENSIONS PAGE MSM-178	THERMAL RATINGS PAGE MSM-242
----------------------------	---	----------------------------	---------------------------------

QUANTIS

QUANTIS GOLD

ILH

RHB

MSM

MOTORIZED SHAFT MOUNT REDUCER (MSM)

Service Factor 1.0 - Clamp Collar / 3 Pc Coupled / Separate
TRIPLE REDUCTION

SIZE: MW1283
60 HZ

NEMA MOTOR FRAME IEC MOTOR FRAME SEPARATE GROUP		140TC 90D 90			180TC 100D 100			--- 112D 112			210TC 132D 132			250TC 160D 160			280TC 180D/200D 180		
RATIO	OUTPUT RATING DATA	3450	1750	1160	3450	1750	1160	3450	1750	1160	3450	1750	1160	3450	1750	1160	3450	1750	1160
142.93	Output RPM	24	12	8	24	12	8	24	12	8	24	12	8	---	---	---	---	---	---
	Input HP (Max) (C)	9.86	5.00	3.25	20.42	10.34	5.89	20.68	10.49	6.95	20.68	10.49	6.95	---	---	---	---	---	---
	Output Torque, In-Lb	25754	25754	25243	53314	53213	45775	53991	53991	53991	53991	53991	53991	---	---	---	---	---	---
	OHL Input Shaft OHL Output Shaft (B)	(A) 6777 6777	456 6777	475 6777	(A) 6777 6777	630 6777	736 6777	(A) 6777 6777	842 6777	877 6777	(A) 6777 6777	955 6777	995 6777	---	---	---	---	---	---
154.25	Output RPM	22	11	8	22	11	8	22	11	8	22	11	8	---	---	---	---	---	---
	Input HP (Max) (C)	9.86	5.00	3.14	19.16	9.72	5.67	19.16	9.72	6.44	19.16	9.72	6.44	---	---	---	---	---	---
	Output Torque, In-Lb	27792	27792	26292	53991	53991	47480	53991	53991	53991	53991	53991	53991	---	---	---	---	---	---
	OHL Input Shaft OHL Output Shaft (B)	(A) 6777 6777	455 6777	475 6777	(A) 6777 6777	627 6777	735 6777	(A) 6777 6777	843 6777	877 6777	(A) 6777 6777	956 6777	996 6777	---	---	---	---	---	---
172.39	Output RPM	20	10	7	20	10	7	20	10	7	20	10	7	---	---	---	---	---	---
	Input HP (Max) (C)	9.86	5.00	2.97	17.14	8.70	5.33	17.14	8.70	5.76	17.14	8.70	5.76	---	---	---	---	---	---
	Output Torque, In-Lb	31062	31062	27801	53991	53991	49965	53991	53991	53991	53991	53991	53991	---	---	---	---	---	---
	OHL Input Shaft OHL Output Shaft (B)	(A) 6777 6777	454 6777	475 6777	(A) 6777 6777	654 6777	739 6777	(A) 6777 6777	843 6777	878 6777	(A) 6777 6777	957 6777	996 6777	---	---	---	---	---	---
184.67	Output RPM	19	9	6	19	9	6	19	9	6	19	9	6	---	---	---	---	---	---
	Input HP (Max) (C)	9.86	5.00	2.86	16.00	8.12	5.14	16.00	8.12	5.38	16.00	8.12	5.38	---	---	---	---	---	---
	Output Torque, In-Lb	33274	33274	28727	53991	53991	51587	53991	53991	53991	53991	53991	53991	---	---	---	---	---	---
	OHL Input Shaft OHL Output Shaft (B)	(A) 6777 6777	452 6777	475 6777	(A) 6777 6777	670 6777	739 6777	(A) 6777 6777	844 6777	878 6777	(A) 6777 6777	957 6777	997 6777	---	---	---	---	---	---
198.58	Output RPM	17	9	6	17	9	6	17	9	6	17	9	6	---	---	---	---	---	---
	Input HP (Max) (C)	9.86	4.81	2.75	14.88	7.55	4.94	14.88	7.55	5.00	14.88	7.55	5.00	---	---	---	---	---	---
	Output Torque, In-Lb	35781	34418	29694	53991	53991	53346	53991	53991	53991	53991	53991	53991	---	---	---	---	---	---
	OHL Input Shaft OHL Output Shaft (B)	(A) 6777 6777	452 6777	474 6777	(A) 6777 6777	685 6777	738 6777	(A) 6777 6777	844 6777	879 6777	(A) 6777 6777	958 6777	997 6777	---	---	---	---	---	---
214.48	Output RPM	16	8	5	16	8	5	16	8	5	16	8	5	---	---	---	---	---	---
	Input HP (Max) (C)	9.70	4.61	2.64	13.78	6.99	4.63	13.78	6.99	4.63	13.78	6.99	4.63	---	---	---	---	---	---
	Output Torque, In-Lb	38012	35607	30719	53991	53991	53991	53991	53991	53991	53991	53991	53991	---	---	---	---	---	---
	OHL Input Shaft OHL Output Shaft (B)	(A) 6777 6777	452 6777	474 6777	(A) 6777 6777	700 6777	739 6777	(A) 6777 6777	844 6777	879 6777	(A) 6777 6777	958 6777	997 6777	---	---	---	---	---	---

(A) (B) (C) - See Footnote page on inside back cover
NOTE: Blank area (-) indicate configuration not available

NOMENCLATURE PAGE MSM-4	STOCK/NON-STOCK PART NUMBERS PAGE MSM-57	DIMENSIONS PAGE MSM-178	THERMAL RATINGS PAGE MSM-242
----------------------------	---	----------------------------	---------------------------------

MOTORIZED SHAFT MOUNT REDUCER (MSM)

Service Factor 1.0 - Clamp Collar / 3 Pc Coupled / Separate

DOUBLE REDUCTION

SIZE: MW1482

60 HZ

NEMA MOTOR FRAME IEC MOTOR FRAME SEPARATE GROUP		210TC 132D 132			250TC 160D 160			280TC 180D / 200D 180			320TC 225D 225			360TC 250D 250		
RATIO	OUTPUT RATING DATA	3450	1750	1160	3450	1750	1160	3450	1750	1160	3450	1750	1160	3450	1750	1160
7.54	Output RPM	---	---	---	457	232	154	457	232	154	457	232	154	457	232	154
	Input HP (Max) (C)	---	---	---	89.63	45.47	30.14	182.55	92.60	61.38	269.08	137.50	75.24	265.03	144.74	99.71
	Output Torque, In-Lb	---	---	---	12353	12353	12353	25159	25159	25159	37083	37358	30838	36526	39324	40871
	OHL Input Shaft	---	---	---	(A)	1524	1586	(A)	1745	2102	(A)	2182	2284	(A)	2111	2528
	OHL Output Shaft (B)	---	---	---	(A)	9664	10832	(A)	9664	10832	(A)	9664	10832	(A)	9664	10832
9.86	Output RPM	---	---	---	350	178	118	350	178	118	350	178	118	350	178	118
	Input HP (Max) (C)	---	---	---	89.63	45.47	30.14	182.55	92.60	61.38	233.86	127.72	72.64	230.15	125.71	86.62
	Output Torque, In-Lb	---	---	---	16140	16140	16140	32873	32873	32873	42111	45340	38905	41443	44625	46391
	OHL Input Shaft	---	---	---	(A)	1490	1585	(A)	1640	1994	(A)	2124	2272	(A)	2108	2523
	OHL Output Shaft (B)	---	---	---	(A)	9664	10832	(A)	9664	10832	(A)	9664	10832	(A)	9664	10832
11.61	Output RPM	297	151	100	297	151	100	297	151	100	297	151	100	297	151	100
	Input HP (Max) (C)	64.54	32.62	18.18	89.63	45.47	30.14	182.55	92.60	60.02	212.55	116.11	70.25	209.08	114.22	78.70
	Output Torque, In-Lb	13689	13640	11469	19010	19010	19010	38717	37861	45078	48545	44310	44344	47765	49640	
	OHL Input Shaft	(A)	949	992	(A)	1451	1580	(A)	1546	1933	(A)	2081	2286	(A)	2069	2520
	OHL Output Shaft (B)	(A)	10832	11478	(A)	10832	11478	(A)	10832	11478	(A)	10832	11478	(A)	10832	11478
13.32	Output RPM	259	131	87	259	131	87	259	131	87	259	131	87	259	131	87
	Input HP (Max) (C)	64.54	31.72	17.67	89.63	45.47	30.14	181.39	92.60	58.10	195.15	106.60	67.90	191.91	104.84	72.23
	Output Torque, In-Lb	15700	15212	12787	21804	21804	21804	44124	44407	42034	47470	51121	49124	46684	50276	52258
	OHL Input Shaft	(A)	946	992	(A)	1415	1585	(A)	1309	1884	(A)	2048	2284	(A)	2037	2515
	OHL Output Shaft (B)	(A)	10832	11478	(A)	10832	11478	(A)	10832	11478	(A)	10832	11478	(A)	10832	11478
14.68	Output RPM	235	119	79	235	119	79	235	119	79	235	119	79	235	119	79
	Input HP (Max) (C)	64.54	30.96	17.25	89.63	45.47	30.14	170.81	92.60	56.53	183.16	100.04	66.02	180.08	98.38	67.79
	Output Torque, In-Lb	17304	16363	13757	24031	24031	24031	45795	48944	45073	49105	52878	52645	48280	51997	54052
	OHL Input Shaft	(A)	944	992	(A)	1384	1584	(A)	1123	1849	(A)	2027	2278	(A)	2016	2514
	OHL Output Shaft (B)	9664	10832	11478	9664	10832	11478	9664	10832	11478	9664	10832	11478	9664	10832	11478
17.35	Output RPM	199	101	67	199	101	67	199	101	67	199	101	67	199	101	67
	Input HP (Max) (C)	64.54	29.43	16.40	89.63	45.47	29.37	153.46	91.16	53.57	163.28	89.21	61.24	160.51	87.69	60.43
	Output Torque, In-Lb	20462	18393	15464	28417	28417	27688	48654	56976	50511	51766	55757	57746	50888	54804	56979
	OHL Input Shaft	(A)	951	993	(A)	1325	1588	(A)	810	1788	(A)	1990	2291	(A)	1980	2510
	OHL Output Shaft (B)	9664	10832	11478	9664	10832	11478	9664	10832	11478	9664	10832	11478	9664	10832	11478
19.78	Output RPM	174	88	59	174	88	59	174	88	59	174	88	59	174	88	59
	Input HP (Max) (C)	64.54	28.07	15.65	89.63	45.47	27.90	139.12	81.47	51.29	148.67	81.21	54.78	146.10	79.81	54.77
	Output Torque, In-Lb	23322	19998	16815	32388	32388	29982	50270	58038	55118	53721	57853	58867	52791	56852	58865
	OHL Input Shaft	(A)	951	993	(A)	1235	1589	(A)	843	1628	(A)	1967	2276	(A)	1958	2510
	OHL Output Shaft (B)	9664	11478	11478	9664	11478	11478	9664	11478	11478	9664	11478	11478	9664	11478	11478
22.74	Output RPM	152	77	51	152	77	51	152	77	51	152	77	51	152	77	51
	Input HP (Max) (C)	63.37	26.49	14.76	89.63	45.47	26.27	123.94	72.24	48.56	133.10	72.24	48.56	131.60	71.89	48.56
	Output Torque, In-Lb	26329	21701	18244	37243	37243	32466	51496	59173	60008	55303	59173	60008	54681	58883	60006
	OHL Input Shaft	(A)	948	993	(A)	1029	1566	(A)	870	1465	(A)	1941	2282	(A)	1936	2527
	OHL Output Shaft (B)	9664	11478	11478	9664	11478	11478	9664	11478	11478	9664	11478	11478	9664	11478	11478

(A) (B) (C) - See Footnote page on inside back cover
 NOTE: Blank area (-) indicate configuration not available

NOMENCLATURE PAGE MSM-4	STOCK/NON-STOCK PART NUMBERS PAGE MSM-57	DIMENSIONS PAGE MSM-194	THERMAL RATINGS PAGE MSM-242
----------------------------	---	----------------------------	---------------------------------

MOTORIZED SHAFT MOUNT REDUCER (MSM)

Service Factor 1.0 - Clamp Collar / 3 Pc Coupled / Separate
DOUBLE REDUCTION

SIZE: MW1482
60 HZ

NEMA MOTOR FRAME IEC MOTOR FRAME SEPARATE GROUP		210TC 132D 132			250TC 160D 160			280TC 180D / 200D 180			320TC 225D 225			360TC 250D 250		
RATIO	OUTPUT RATING DATA	3450	1750	1160	3450	1750	1160	3450	1750	1160	3450	1750	1160	3450	1750	1160
26.00	Output RPM	133	67	45	133	67	45	133	67	45	133	67	45	133	67	45
	Input HP (Max) (C)	56.81	24.91	13.88	81.28	45.02	24.78	110.56	64.28	43.22	118.50	64.28	43.22	118.50	64.28	43.22
	Output Torque, In-Lb	26984	23326	19611	38605	42154	35002	52515	60187	61057	56284	60187	61057	56284	60187	61055
	OHL Input Shaft OHL Output Shaft (B)	(A) 10832	946 11478	992 11478	(A) 10832	828 11478	1538 11478	(A) 10832	889 11478	1485 11478	(A) 10832	1969 11478	2286 11478	(A) 10832	1917 11478	2539 11478
26.51	Output RPM	130	66	44	130	66	44	130	66	44	130	66	44	130	66	44
	Input HP (Max) (C)	64.54	32.74	19.88	89.63	45.47	30.14	113.66	74.17	49.16	113.66	74.17	49.16	113.66	74.17	49.16
	Output Torque, In-Lb	31257	31257	28635	43408	43408	55043	70808	70808	55043	70808	70808	55043	70808	70808	
	OHL Input Shaft OHL Output Shaft (B)	(A) 10832	944 11478	990 11478	(A) 10832	1308 11478	1587 11478	(A) 10832	1379 11478	1869 11478	(A) 10832	2199 11478	2293 11478	(A) 10832	2270 11478	2723 11478
30.39	Output RPM	114	58	38	114	58	38	114	58	38	114	58	38	114	58	38
	Input HP (Max) (C)	64.54	32.74	19.41	89.33	45.47	30.14	111.96	64.69	42.88	111.96	64.69	42.88	111.96	64.69	42.88
	Output Torque, In-Lb	35836	35836	32057	49598	49766	49766	62164	70808	70808	62164	70808	70808	62164	70808	70808
	OHL Input Shaft OHL Output Shaft (B)	(A) 10832	950 11478	987 11478	(A) 10832	1218 11478	1542 11478	(A) 10832	1462 11478	1904 11478	(A) 10832	2204 11478	2297 11478	(A) 10832	2302 11478	2757 11478
35.14	Output RPM	98	50	33	98	50	33	98	50	33	98	50	33	98	50	33
	Input HP (Max) (C)	63.45	32.74	19.09	79.37	45.47	30.14	95.52	55.95	37.09	95.52	55.95	37.09	95.52	55.95	37.09
	Output Torque, In-Lb	40730	41432	36447	50951	57538	57538	61317	70808	70808	61317	70808	70808	61317	70808	70808
	OHL Input Shaft OHL Output Shaft (B)	(A) 11478	951 11478	992 11478	(A) 11478	1008 11478	1481 11478	(A) 11478	1539 11478	1937 11478	(A) 11478	2207 11478	2279 11478	(A) 11478	2330 11478	2775 11478
36.47	Output RPM	95	48	32	95	48	32	95	48	32	95	48	32	---	---	---
	Input HP (Max) (C)	61.61	32.74	18.53	76.98	45.47	30.14	100.03	53.91	35.73	100.03	53.91	35.73	---	---	---
	Output Torque, In-Lb	41048	43003	36723	51288	59720	59720	66647	70808	70808	66647	70808	70808	---	---	---
	OHL Input Shaft OHL Output Shaft (B)	(A) 11478	879 11478	992 11478	(A) 11478	948 11478	(A) 11478	(A) 11478	1559 11478	1946 11478	(A) 11478	2207 11478	2281 11478	---	---	---
40.36	Output RPM	85	43	29	85	43	29	85	43	29	85	43	29	---	---	---
	Input HP (Max) (C)	56.79	32.46	18.09	70.74	43.37	30.14	87.52	48.72	32.29	87.52	48.72	32.29	---	---	---
	Output Torque, In-Lb	41869	47182	39662	52152	63040	63040	64521	70808	70808	64521	70808	70808	---	---	---
	OHL Input Shaft OHL Output Shaft (B)	(A) 11478	569 11478	992 11478	(A) 11478	880 11478	(A) 11478	(A) 11478	1606 11478	1965 11478	(A) 11478	2208 11478	2287 11478	---	---	---
47.23	Output RPM	73	37	25	73	37	25	73	37	25	73	37	25	---	---	---
	Input HP (Max) (C)	49.91	28.82	17.39	61.87	38.47	27.59	82.06	41.63	27.59	82.06	41.63	27.59	---	---	---
	Output Torque, In-Lb	43064	49030	44632	53386	65435	70808	70808	70808	70808	70808	70808	70808	---	---	---
	OHL Input Shaft OHL Output Shaft (B)	(A) 11478	524 11478	989 11478	(A) 11478	862 11478	(A) 11478	(A) 11478	1633 11478	1991 11478	(A) 11478	2190 11478	2285 11478	---	---	---
51.15	Output RPM	67	34	23	67	34	23	67	34	23	67	34	23	---	---	---
	Input HP (Max) (C)	46.67	27.05	16.66	57.75	36.13	25.48	75.16	38.44	25.48	75.16	38.44	25.48	---	---	---
	Output Torque, In-Lb	43609	49839	46304	53962	66561	70808	70231	70808	70808	70231	70808	70808	---	---	---
	OHL Input Shaft OHL Output Shaft (B)	(A) 11478	508 11478	988 11478	(A) 11478	851 11478	(A) 11478	(A) 11478	1644 11478	2001 11478	(A) 11478	2195 11478	2289 11478	---	---	---

(A) (B) (C) - See Footnote page on inside back cover
NOTE: Blank area (-) indicate configuration not available

NOMENCLATURE PAGE MSM-4	STOCK/NON-STOCK PART NUMBERS PAGE MSM-57	DIMENSIONS PAGE MSM-194	THERMAL RATINGS PAGE MSM-242
----------------------------	---	----------------------------	---------------------------------

SELECTION



MOTORIZED SHAFT MOUNT REDUCER (MSM)

Service Factor 1.0 - Clamp Collar / 3 Pc Coupled / Separate

DOUBLE REDUCTION

SIZE: MW1482

60 HZ

NEMA MOTOR FRAME IEC MOTOR FRAME SEPARATE GROUP		210TC 132D 132			250TC 160D 160			280TC 180D / 200D 180			320TC 225D 225			360TC 250D 250		
RATIO	OUTPUT RATING DATA	3450	1750	1160	3450	1750	1160	3450	1750	1160	3450	1750	1160	3450	1750	1160
57.09	Output RPM	60	31	20	60	31	20	60	31	20	---	---	---	---	---	---
	Input HP (Max) (C)	42.51	24.76	15.79	67.89	33.08	22.83	67.89	34.44	22.83	---	---	---	---	---	---
	Output Torque, In-Lb	44336	50900	48976	70808	68018	70808	70808	70808	70808	---	---	---	---	---	---
	OHL Input Shaft OHL Output Shaft (B)	(A) 11478	484 11478	986 11478	(A) 11478	842 11478	(A) 11478	(A) 11478	1660 11478	2016 11478	---	---	---	---	---	---
60.53	Output RPM	57	29	19	57	29	19	57	29	19	---	---	---	---	---	---
	Input HP (Max) (C)	40.43	23.59	15.54	64.04	31.54	21.53	64.04	32.48	21.53	---	---	---	---	---	---
	Output Torque, In-Lb	44699	51431	51107	70808	68755	70808	70808	70808	70808	---	---	---	---	---	---
	OHL Input Shaft OHL Output Shaft (B)	(A) 11478	475 11478	991 11478	(A) 11478	836 11478	(A) 11478	(A) 11478	1667 11478	2024 11478	---	---	---	---	---	---
68.61	Output RPM	50	26	17	50	26	17	---	---	---	---	---	---	---	---	---
	Input HP (Max) (C)	36.22	21.24	14.61	56.49	28.42	18.99	---	---	---	---	---	---	---	---	---
	Output Torque, In-Lb	45399	52492	54483	70808	70228	70808	---	---	---	---	---	---	---	---	---
	OHL Input Shaft OHL Output Shaft (B)	(A) 11478	455 11478	989 11478	(A) 11478	825 11478	(A) 11478	---	---	---	---	---	---	---	---	---
73.42	Output RPM	47	24	16	47	24	16	---	---	---	---	---	---	---	---	---
	Input HP (Max) (C)	34.12	20.06	13.80	52.80	26.78	17.75	---	---	---	---	---	---	---	---	---
	Output Torque, In-Lb	45760	53027	55031	70808	70808	70808	---	---	---	---	---	---	---	---	---
	OHL Input Shaft OHL Output Shaft (B)	(A) 11478	442 11478	990 11478	(A) 11478	824 11478	(A) 11478	---	---	---	---	---	---	---	---	---
77.21	Output RPM	45	23	15	---	---	---	---	---	---	---	---	---	---	---	---
	Input HP (Max) (C)	32.63	19.21	13.22	---	---	---	---	---	---	---	---	---	---	---	---
	Output Torque, In-Lb	46028	53415	55445	---	---	---	---	---	---	---	---	---	---	---	---
	OHL Input Shaft OHL Output Shaft (B)	(A) 11478	437 11478	990 11478	---	---	---	---	---	---	---	---	---	---	---	---
83.32	Output RPM	41	21	14	---	---	---	---	---	---	---	---	---	---	---	---
	Input HP (Max) (C)	30.48	17.98	12.37	---	---	---	---	---	---	---	---	---	---	---	---
	Output Torque, In-Lb	46399	53965	56009	---	---	---	---	---	---	---	---	---	---	---	---
	OHL Input Shaft OHL Output Shaft (B)	(A) 11478	427 11478	987 11478	---	---	---	---	---	---	---	---	---	---	---	---

(A) (B) (C) - See Footnote page on inside back cover
 NOTE: Blank area (-) indicate configuration not available

NOMENCLATURE PAGE MSM-4	STOCK/NON-STOCK PART NUMBERS PAGE MSM-57	DIMENSIONS PAGE MSM-194	THERMAL RATINGS PAGE MSM-242
----------------------------	---	----------------------------	---------------------------------

QUANTIS

QUANTIS GOLD

ILH

RHB

MSM

MOTORIZED SHAFT MOUNT REDUCER (MSM)
 Service Factor 1.0 - Clamp Collar / 3 Pc Coupled / Separate
TRIPLE REDUCTION

SIZE: MW1483
60 HZ

NEMA MOTOR FRAME IEC MOTOR FRAME SEPARATE GROUP		180TC 100D 100			--- 112D 112			210TC 132D 132			250TC 160D 160			280TC 180D/ 200D 180			320TC 225D 225		
RATIO	OUTPUT RATING DATA	3450	1750	1160	3450	1750	1160	3450	1750	1160	3450	1750	1160	3450	1750	1160	3450	1750	1160
29.33	Output RPM	---	---	---	---	---	---	---	---	---	118	60	40	118	60	40	118	60	40
	Input HP (Max) (C)	---	---	---	---	---	---	---	---	---	89.63	45.47	30.14	96.45	66.24	46.77	96.45	66.24	46.77
	Output Torque, In-Lb	---	---	---	---	---	---	---	---	---	48018	48018	48018	51667	69959	74516	51667	69959	74516
	OHL Input Shaft OHL Output Shaft (B)	---	---	---	---	---	---	---	---	---	(A) 10832	1328	1382	(A) 10832	1937	2262	(A) 10832	2204	2296
39.02	Output RPM	---	---	---	---	---	---	---	---	---	88	45	30	88	45	30	88	45	30
	Input HP (Max) (C)	---	---	---	---	---	---	---	---	---	81.75	45.47	30.14	81.75	54.80	36.32	81.75	54.80	36.32
	Output Torque, In-Lb	---	---	---	---	---	---	---	---	---	58268	63889	63889	58268	77004	77004	58268	77004	77004
	OHL Input Shaft OHL Output Shaft (B)	---	---	---	---	---	---	---	---	---	(A) 11478	1326	1381	(A) 11478	1959	2315	(A) 11478	2207	2299
45.18	Output RPM	---	---	---	---	---	---	76	39	26	76	39	26	76	39	26	76	39	26
	Input HP (Max) (C)	---	---	---	---	---	---	64.54	32.74	18.27	74.87	45.47	30.14	74.87	47.33	31.37	74.87	47.33	31.37
	Output Torque, In-Lb	---	---	---	---	---	---	53269	53269	44842	61796	73977	73977	61796	77004	77004	61796	77004	77004
	OHL Input Shaft OHL Output Shaft (B)	---	---	---	---	---	---	(A) 11478	948	992	(A) 11478	1324	1380	(A) 11478	1988	2344	(A) 11478	2187	2280
53.34	Output RPM	---	---	---	---	---	---	65	33	22	65	33	22	65	33	22	65	33	22
	Input HP (Max) (C)	---	---	---	---	---	---	64.54	31.67	17.65	67.66	40.09	26.57	67.66	40.09	26.57	67.66	40.09	26.57
	Output Torque, In-Lb	---	---	---	---	---	---	62891	60842	51157	65926	77004	77004	65926	77004	77004	65926	77004	77004
	OHL Input Shaft OHL Output Shaft (B)	---	---	---	---	---	---	(A) 11478	946	992	(A) 11478	1328	1383	(A) 11478	2015	2371	(A) 11478	2197	2290
59.55	Output RPM	---	---	---	58	29	19	58	29	19	58	29	19	58	29	19	---	---	---
	Input HP (Max) (C)	---	---	---	27.34	13.87	9.19	63.22	30.82	17.17	63.22	35.90	23.80	63.22	35.90	23.80	---	---	---
	Output Torque, In-Lb	---	---	---	29744	29744	29744	68783	66102	55571	68783	77004	77004	68783	77004	77004	---	---	---
	OHL Input Shaft OHL Output Shaft (B)	---	---	---	(A) 11478	843	870	(A) 11478	944	993	(A) 11478	1330	1385	(A) 11478	2030	2387	---	---	---
69.59	Output RPM	---	---	---	50	25	17	50	25	17	50	25	17	50	25	17	---	---	---
	Input HP (Max) (C)	---	---	---	27.34	13.87	9.19	57.37	29.48	16.43	57.37	30.73	20.37	57.37	30.73	20.37	---	---	---
	Output Torque, In-Lb	---	---	---	34756	34756	34756	72937	73883	62122	72937	77004	77004	72937	77004	77004	---	---	---
	OHL Input Shaft OHL Output Shaft (B)	---	---	---	(A) 11478	843	877	(A) 11478	951	993	(A) 11478	1332	1387	(A) 11478	2052	2409	---	---	---
79.78	Output RPM	---	---	---	43	22	15	43	22	15	43	22	15	43	22	15	---	---	---
	Input HP (Max) (C)	---	---	---	27.34	13.87	9.19	52.63	26.80	15.67	52.63	26.80	17.76	52.63	26.80	17.76	---	---	---
	Output Torque, In-Lb	---	---	---	39847	39847	39847	76712	77004	67912	76712	77004	77004	76712	77004	77004	---	---	---
	OHL Input Shaft OHL Output Shaft (B)	---	---	---	(A) 11478	842	877	(A) 11478	953	993	(A) 11478	1333	1388	(A) 11478	2067	2423	---	---	---
92.24	Output RPM	---	---	---	37	19	13	37	19	13	37	19	13	37	19	13	---	---	---
	Input HP (Max) (C)	---	---	---	27.34	13.87	9.19	45.70	23.18	14.78	45.70	23.18	15.37	45.70	23.18	15.37	---	---	---
	Output Torque, In-Lb	---	---	---	46069	46069	46069	77004	77004	74049	77004	77004	77004	77004	77004	77004	---	---	---
	OHL Input Shaft OHL Output Shaft (B)	---	---	---	(A) 11478	840	875	(A) 11478	950	992	(A) 11478	1334	1389	(A) 11478	2080	2436	---	---	---
95.74	Output RPM	36	18	12	36	18	12	36	18	12	36	18	12	36	18	12	---	---	---
	Input HP (Max) (C)	20.42	10.36	6.87	27.34	13.87	9.19	44.03	22.33	14.53	44.03	22.33	14.80	44.03	22.33	14.80	---	---	---
	Output Torque, In-Lb	35711	35711	35711	47816	47816	47816	77004	77004	75554	77004	77004	77004	77004	77004	77004	---	---	---
	OHL Input Shaft OHL Output Shaft (B)	(A) 11478	708	738	(A) 11478	839	874	(A) 11478	951	992	(A) 11478	1334	1376	(A) 11478	2084	2439	---	---	---

(A) (B) (C) - See Footnote page on inside back cover
 NOTE: Blank area (-) indicate configuration not available

NOMENCLATURE PAGE MSM-4	STOCK/NON-STOCK PART NUMBERS PAGE MSM-57	DIMENSIONS PAGE MSM-194	THERMAL RATINGS PAGE MSM-242
----------------------------	---	----------------------------	---------------------------------

MOTORIZED SHAFT MOUNT REDUCER (MSM)

**SIZE: MW1483
60 HZ**

**Service Factor 1.0 - Clamp Collar / 3 Pc Coupled / Separate
TRIPLE REDUCTION**

NEMA MOTOR FRAME IEC MOTOR FRAME SEPARATE GROUP		180TC 100D 100			--- 112D 112			210TC 132D 132			250TC 160D 160			280TC 180D/200D 180			320TC 225D 225		
RATIO	OUTPUT RATING DATA	3450	1750	1160	3450	1750	1160	3450	1750	1160	3450	1750	1160	3450	1750	1160	3450	1750	1160
105.94	Output RPM	33	17	11	33	17	11	33	17	11	33	17	11	33	17	11	---	---	---
	Input HP (Max) (C)	20.42	10.36	6.87	27.34	13.87	9.07	39.79	20.18	13.38	39.79	20.18	13.38	39.79	20.18	13.38	---	---	---
	Output Torque, In-Lb	39515	39515	39515	52910	52910	52187	77004	77004	77004	77004	77004	77004	77004	77004	77004	---	---	---
	OHL Input Shaft (A)		711	735	(A) 835	872	(A) 954	993	(A) 1324	1379	(A) 2091	2447	---	---	---	---	---	---	---
OHL Output Shaft (B)	11478	11478	11478	11478	11478	11478	11478	11478	11478	11478	11478	11478	11478	11478	11478	11478	---	---	---
123.98	Output RPM	28	14	9	28	14	9	28	14	9	28	14	9	---	---	---	---	---	---
	Input HP (Max) (C)	20.42	10.36	6.83	27.34	13.87	8.46	34.00	17.25	11.43	34.00	17.25	11.43	---	---	---	---	---	---
	Output Torque, In-Lb	46247	46247	46003	61924	61924	56998	77004	77004	77004	77004	77004	77004	---	---	---	---	---	---
	OHL Input Shaft (A)		712	736	(A) 825	870	(A) 956	996	(A) 1324	1379	---	---	---	---	---	---	---	---	---
OHL Output Shaft (B)	11478	11478	11478	11478	11478	11478	11478	11478	11478	11478	11478	11478	11478	---	---	---	---	---	---
134.28	Output RPM	26	13	9	26	13	9	26	13	9	26	13	9	---	---	---	---	---	---
	Input HP (Max) (C)	20.42	10.36	6.59	27.34	13.87	8.15	31.39	15.92	10.56	31.39	15.92	10.56	---	---	---	---	---	---
	Output Torque, In-Lb	50086	50086	48071	67064	67064	59452	77004	77004	77004	77004	77004	77004	---	---	---	---	---	---
	OHL Input Shaft (A)		711	735	(A) 697	870	(A) 957	996	(A) 1326	1382	---	---	---	---	---	---	---	---	---
OHL Output Shaft (B)	11478	11478	11478	11478	11478	11478	11478	11478	11478	11478	11478	11478	11478	---	---	---	---	---	---
149.86	Output RPM	23	12	8	23	12	8	23	12	8	23	12	8	---	---	---	---	---	---
	Input HP (Max) (C)	19.33	10.36	6.25	26.42	13.79	7.71	28.13	14.27	9.46	28.13	14.27	9.46	---	---	---	---	---	---
	Output Torque, In-Lb	52922	55899	50899	72322	74448	62791	77004	77004	77004	77004	77004	77004	---	---	---	---	---	---
	OHL Input Shaft (A)		555	741	(A) 515	874	(A) 957	997	(A) 1329	1384	---	---	---	---	---	---	---	---	---
OHL Output Shaft (B)	11478	11478	11478	11478	11478	11478	11478	11478	11478	11478	11478	11478	11478	---	---	---	---	---	---
158.88	Output RPM	22	11	7	22	11	7	22	11	7	22	11	7	---	---	---	---	---	---
	Input HP (Max) (C)	18.43	10.03	6.07	25.13	13.41	7.49	26.53	13.46	8.92	26.53	13.46	8.92	---	---	---	---	---	---
	Output Torque, In-Lb	53503	57404	52418	72940	76708	64698	77004	77004	77004	77004	77004	77004	---	---	---	---	---	---
	OHL Input Shaft (A)		522	741	(A) 465	874	(A) 958	997	(A) 1330	1385	---	---	---	---	---	---	---	---	---
OHL Output Shaft (B)	11478	11478	11478	11478	11478	11478	11478	11478	11478	11478	11478	11478	11478	---	---	---	---	---	---
180.11	Output RPM	19	10	6	19	10	6	19	10	6	---	---	---	---	---	---	---	---	---
	Input HP (Max) (C)	16.61	9.04	5.68	22.53	11.87	7.01	23.40	11.87	7.87	---	---	---	---	---	---	---	---	---
	Output Torque, In-Lb	54663	58649	55629	74134	77004	68641	77004	77004	77004	---	---	---	---	---	---	---	---	---
	OHL Input Shaft (A)		514	740	(A) 496	873	(A) 958	997	---	---	---	---	---	---	---	---	---	---	---
OHL Output Shaft (B)	11478	11478	11478	11478	11478	11478	11478	11478	11478	11478	11478	11478	11478	---	---	---	---	---	---
192.71	Output RPM	18	9	6	18	9	6	18	9	6	---	---	---	---	---	---	---	---	---
	Input HP (Max) (C)	15.69	8.54	5.49	21.24	11.09	6.79	21.87	11.09	7.35	---	---	---	---	---	---	---	---	---
	Output Torque, In-Lb	55253	59277	57495	74777	77004	71087	77004	77004	77004	---	---	---	---	---	---	---	---	---
	OHL Input Shaft (A)		509	740	(A) 515	872	(A) 958	997	---	---	---	---	---	---	---	---	---	---	---
OHL Output Shaft (B)	11478	11478	11478	11478	11478	11478	11478	11478	11478	11478	11478	11478	11478	---	---	---	---	---	---
202.69	Output RPM	17	9	6	17	9	6	17	9	6	---	---	---	---	---	---	---	---	---
	Input HP (Max) (C)	15.03	8.18	5.36	20.31	10.55	6.65	20.80	10.55	6.99	---	---	---	---	---	---	---	---	---
	Output Torque, In-Lb	55663	59724	59002	75219	77004	73222	77004	77004	77004	---	---	---	---	---	---	---	---	---
	OHL Input Shaft (A)		507	739	(A) 526	871	(A) 958	997	---	---	---	---	---	---	---	---	---	---	---
OHL Output Shaft (B)	11478	11478	11478	11478	11478	11478	11478	11478	11478	11478	11478	11478	11478	---	---	---	---	---	---
218.71	Output RPM	16	8	5	16	8	5	16	8	5	---	---	---	---	---	---	---	---	---
	Input HP (Max) (C)	14.08	7.66	5.16	18.98	9.78	6.43	19.27	9.78	6.48	---	---	---	---	---	---	---	---	---
	Output Torque, In-Lb	56261	60363	61291	75823	77004	76450	77004	77004	77004	---	---	---	---	---	---	---	---	---
	OHL Input Shaft (A)		502	739	(A) 543	878	(A) 950	989	---	---	---	---	---	---	---	---	---	---	---
OHL Output Shaft (B)	11478	11478	11478	11478	11478	11478	11478	11478	11478	11478	11478	11478	11478	---	---	---	---	---	---

(A) (B) (C) - See Footnote page on inside back cover
NOTE: Blank area (-) indicate configuration not available

NOMENCLATURE PAGE MSM-4	STOCK/NON-STOCK PART NUMBERS PAGE MSM-57	DIMENSIONS PAGE MSM-194	THERMAL RATINGS PAGE MSM-242
----------------------------	---	----------------------------	---------------------------------

QUANTIS

QUANTIS GOLD

ILH

RHB

MSM

MOTORIZED SHAFT MOUNT REDUCER (MSM)

Service Factor 1.0 - Clamp Collar / 3 Pc Coupled / Separate
DOUBLE REDUCTION

SIZE: MW1682
60 HZ

NEMA MOTOR FRAME IEC MOTOR FRAME SEPARATE GROUP		210TC 132D 132			250TC 160D 160			280TC 180D / 200D 180			320TC 225D 225			360TC 250D 250		
RATIO	OUTPUT RATING DATA	3450	1750	1160	3450	1750	1160	3450	1750	1160	3450	1750	1160	3450	1750	1160
7.71	Output RPM	---	---	---	---	---	---	447	227	150	447	227	150	447	227	150
	Input HP (Max) (C)	---	---	---	---	---	---	182.55	92.60	61.38	296.51	136.86	74.87	297.84	158.78	100.29
	Output Torque, In-Lb	---	---	---	---	---	---	25727	25727	25727	41788	38023	31382	41974	44114	42034
	OHL Input Shaft	---	---	---	---	---	---	(A)	1811	2102	(A)	2185	2014	(A)	2138	2640
	OHL Output Shaft (B)	---	---	---	---	---	---	(A)	15239	16653	(A)	15239	16653	(A)	15239	16653
9.71	Output RPM	---	---	---	355	180	119	355	180	119	355	180	119	355	180	119
	Input HP (Max) (C)	---	---	---	89.63	45.47	30.14	182.55	92.60	61.38	264.35	134.29	73.46	265.63	145.07	98.05
	Output Torque, In-Lb	---	---	---	15900	15900	15900	32384	32384	32384	46893	46963	38757	47120	50734	51731
	OHL Input Shaft	---	---	---	(A)	1523	1587	(A)	1734	1994	(A)	2183	1688	(A)	2110	2546
	OHL Output Shaft (B)	---	---	---	(A)	15239	16653	(A)	15239	16653	(A)	15239	16653	(A)	15239	16653
12.47	Output RPM	---	---	---	277	140	93	277	140	93	277	140	93	277	140	93
	Input HP (Max) (C)	---	---	---	89.63	45.47	30.14	182.55	92.60	60.27	229.54	125.37	70.68	230.69	126.00	86.81
	Output Torque, In-Lb	---	---	---	20413	20413	20413	41575	41575	40822	52277	56288	47876	52538	56573	58797
	OHL Input Shaft	---	---	---	(A)	1488	1585	(A)	1625	1933	(A)	2150	1386	(A)	2088	2524
	OHL Output Shaft (B)	---	---	---	(A)	16653	17897	(A)	16653	17897	(A)	16653	17897	(A)	16653	17897
14.51	Output RPM	238	121	80	238	121	80	238	121	80	238	121	80	238	121	80
	Input HP (Max) (C)	64.54	32.57	18.15	89.63	45.47	30.14	182.55	92.60	58.30	208.96	114.15	68.26	210.05	114.74	79.05
	Output Torque, In-Lb	17104	17017	14307	23754	23754	23754	48379	48379	45952	55375	59637	53800	55665	59945	62306
	OHL Input Shaft	(A)	949	992	(A)	1450	1580	(A)	1526	1884	(A)	2108	1052	(A)	2050	2519
	OHL Output Shaft (B)	15239	16653	17897	15239	16653	17897	15239	16653	17897	15239	16653	17897	15239	16653	17897
16.53	Output RPM	209	106	70	209	106	70	209	106	70	209	106	70	209	106	70
	Input HP (Max) (C)	64.54	31.66	17.64	89.63	45.47	30.14	180.24	92.60	56.31	191.80	104.78	65.82	192.83	105.33	72.57
	Output Torque, In-Lb	19495	18852	15851	27075	27075	27075	54442	55142	50590	57935	62393	59134	58244	62723	65198
	OHL Input Shaft	(A)	946	992	(A)	1413	1585	(A)	1288	1849	(A)	2077	637	(A)	2018	2513
	OHL Output Shaft (B)	15239	16653	17897	15239	16653	17897	15239	16653	17897	15239	16653	17897	15239	16653	17897
18.13	Output RPM	190	97	64	190	97	64	190	97	64	190	97	64	190	97	64
	Input HP (Max) (C)	64.54	30.91	17.23	89.63	45.47	30.09	169.84	92.60	54.70	180.10	98.38	63.92	181.08	98.91	68.15
	Output Torque, In-Lb	21380	20188	16971	29692	29692	29649	56260	60473	53893	59660	64248	62974	59984	64596	67146
	OHL Input Shaft	(A)	944	993	(A)	1383	1583	(A)	1101	1788	(A)	2056	2271	(A)	1997	2512
	OHL Output Shaft (B)	15239	17897	17897	15239	17897	17897	15239	17897	17897	15239	17897	17897	15239	17897	17897
21.85	Output RPM	158	80	53	158	80	53	158	80	53	158	80	53	158	80	53
	Input HP (Max) (C)	64.54	29.07	16.20	89.63	45.47	28.01	150.02	89.62	51.09	157.62	86.11	59.34	158.50	86.58	59.66
	Output Torque, In-Lb	25765	22879	19238	35782	35782	33260	59891	70534	60653	62924	67766	70451	63273	68138	70831
	OHL Input Shaft	(A)	951	993	(A)	1313	1578	(A)	778	1628	(A)	2015	2289	(A)	1957	2506
	OHL Output Shaft (B)	16653	17897	19910	16653	17897	19910	16653	17897	19910	16653	17897	19910	16653	17897	19910
24.28	Output RPM	142	72	48	142	72	48	142	72	48	142	72	48	142	72	48
	Input HP (Max) (C)	64.54	27.98	15.59	89.63	45.47	26.82	139.01	82.90	49.30	145.73	79.61	54.86	146.53	80.06	55.16
	Output Torque, In-Lb	28622	24462	20566	39750	39750	35381	61649	72477	65026	64629	69603	72355	64983	69991	72755
	OHL Input Shaft	(A)	950	993	(A)	1225	1590	(A)	759	1465	(A)	1998	2289	(A)	1940	2507
	OHL Output Shaft (B)	16653	17897	19910	16653	17897	19910	16653	17897	19910	16653	17897	19910	16653	17897	19910
27.50	Output RPM	125	64	42	125	64	42	125	64	42	125	64	42	125	64	42
	Input HP (Max) (C)	63.57	26.54	14.79	89.08	45.47	25.35	128.72	75.35	47.42	132.39	72.33	49.85	133.14	72.73	50.13
	Output Torque, In-Lb	31939	26287	22103	44753	45033	37883	64673	74635	70864	66515	71643	74488	66892	72040	74903
	OHL Input Shaft	(A)	948	992	(A)	1035	1587	(A)	737	1485	(A)	1977	2290	(A)	1918	2505
	OHL Output Shaft (B)	16653	17897	19910	16653	17897	19910	16653	17897	19910	16653	17897	19910	16653	17897	19910

(A) (B) (C) - See Footnote page on inside back cover
NOTE: Blank area (-) indicate configuration not available

NOMENCLATURE PAGE MSM-4	STOCK/NON-STOCK PART NUMBERS PAGE MSM-57	DIMENSIONS PAGE MSM-210	THERMAL RATINGS PAGE MSM-242
----------------------------	---	----------------------------	---------------------------------

MOTORIZED SHAFT MOUNT REDUCER (MSM)

Service Factor 1.0 - Clamp Collar / 3 Pc Coupled / Separate

DOUBLE REDUCTION

SIZE: MW1682

60 HZ

NEMA MOTOR FRAME IEC MOTOR FRAME SEPARATE GROUP		210TC 132D 132			250TC 160D 160			280TC 180D / 200D 180			320TC 225D 225			360TC 250D 250		
RATIO	OUTPUT RATING DATA	3450	1750	1160	3450	1750	1160	3450	1750	1160	3450	1750	1160	3450	1750	1160
31.83	Output RPM	---	---	---	---	---	---	108	55	36	108	55	36	108	55	36
	Input HP (Max) (C)	---	---	---	---	---	---	115.45	67.13	46.25	117.89	64.41	44.37	118.55	64.77	44.63
	Output Torque, In-Lb	---	---	---	---	---	---	67139	76962	79985	68557	73836	76736	68941	74251	77197
	OHL Input Shaft	---	---	---	---	---	---	(A) 716	1869	(A) 1978	2278	(A) 1978	2278	(A) 1920	2511	(A) 1920
	OHL Output Shaft (B)	---	---	---	---	---	---	16653	19910	20233	16653	19910	20233	16653	19910	20233
32.07	Output RPM	108	55	36	108	55	36	108	55	36	108	55	36	108	55	36
	Input HP (Max) (C)	64.54	32.74	19.25	89.63	45.47	30.14	136.00	92.60	61.38	163.30	89.21	61.47	187.35	87.69	62.99
	Output Torque, In-Lb	37810	37811	33546	52510	52510	52510	79673	106945	106945	95665	103032	107092	109752	101273	109752
	OHL Input Shaft	(A) 944	983	(A) 1309	1583	(A) 763	1904	(A) 1904	1904	(A) 1904	1904	(A) 1990	2288	(A) 1990	1980	2467
	OHL Output Shaft (B)	16653	19910	20233	16653	19910	20233	16653	19910	20233	16653	19910	20233	16653	19910	20233
36.55	Output RPM	94	48	32	94	48	32	94	48	32	94	48	32	94	48	32
	Input HP (Max) (C)	64.54	32.74	18.68	89.63	45.47	30.14	122.29	83.38	55.27	148.65	81.21	55.27	164.37	79.80	55.27
	Output Torque, In-Lb	43094	43095	37104	59848	59848	59848	81651	109752	109752	99254	106904	109752	109752	105048	109752
	OHL Input Shaft	(A) 950	990	(A) 1217	1528	(A) 774	1937	(A) 1937	1937	(A) 1937	1937	(A) 1967	2286	(A) 1967	1960	2503
	OHL Output Shaft (B)	17897	19910	20233	17897	19910	20233	17897	19910	20233	17897	19910	20233	17897	19910	20233
42.03	Output RPM	82	42	28	82	42	28	82	42	28	82	42	28	82	42	28
	Input HP (Max) (C)	63.37	32.62	18.18	83.82	45.47	30.14	108.88	72.51	48.06	142.95	72.51	48.06	142.95	71.89	48.06
	Output Torque, In-Lb	48657	49378	41520	64357	68818	68818	83592	109752	109752	109752	109752	109752	109752	108812	109752
	OHL Input Shaft	(A) 951	986	(A) 1010	1460	(A) 857	1946	(A) 1946	1946	(A) 1971	2280	(A) 1971	2280	(A) 1936	2538	(A) 1936
	OHL Output Shaft (B)	17897	19910	20233	17897	19910	20233	17897	19910	20233	17897	19910	20233	17897	19910	20233
48.04	Output RPM	72	36	24	72	36	24	72	36	24	72	36	24	72	36	24
	Input HP (Max) (C)	56.80	31.72	17.67	74.83	43.70	30.14	97.19	63.43	42.05	125.05	63.43	42.05	125.05	63.43	42.05
	Output Torque, In-Lb	49850	54885	46134	65679	75613	78668	85296	109752	109752	109752	109752	109752	109752	109752	109752
	OHL Input Shaft	(A) 671	992	(A) 869	1276	(A) 928	1965	(A) 1965	1965	(A) 2043	2290	(A) 2043	2290	(A) 1982	2566	(A) 1982
	OHL Output Shaft (B)	17897	20233	20233	17897	20233	20233	17897	20233	20233	17897	20233	20233	17897	20233	20233
55.68	Output RPM	62	31	21	62	31	21	62	31	21	62	31	21	---	---	---
	Input HP (Max) (C)	50.19	28.97	17.25	65.87	38.97	26.82	85.52	54.74	36.28	107.91	54.74	36.28	---	---	---
	Output Torque, In-Lb	51043	58091	52187	66992	78132	81138	86984	109752	109752	109752	109752	109752	---	---	---
	OHL Input Shaft	(A) 525	990	(A) 850	1261	(A) 995	1991	(A) 1991	1991	(A) 2112	2296	(A) 2112	2296	---	---	---
	OHL Output Shaft (B)	19910	20233	20233	19910	20233	20233	19910	20233	20233	19910	20233	20233	---	---	---
60.66	Output RPM	57	29	19	57	29	19	57	29	19	57	29	19	---	---	---
	Input HP (Max) (C)	46.64	27.04	16.40	61.09	36.39	25.05	99.04	50.24	33.30	99.04	50.24	33.30	---	---	---
	Output Torque, In-Lb	51682	59072	54052	67693	79493	82551	109752	109752	109752	109752	109752	109752	---	---	---
	OHL Input Shaft	(A) 507	989	(A) 840	1251	(A) 1030	2001	(A) 2001	2001	(A) 2149	2291	(A) 2149	2291	---	---	---
	OHL Output Shaft (B)	(A) 20233	20233	19910	20233	20233	19910	20233	20233	19910	20233	20233	20233	---	---	---
67.58	Output RPM	51	26	17	51	26	17	51	26	17	---	---	---	---	---	---
	Input HP (Max) (C)	42.48	24.74	15.65	55.49	33.32	22.93	88.91	45.10	29.89	---	---	---	---	---	---
	Output Torque, In-Lb	52438	60205	57446	68504	81089	84200	109752	109752	109752	---	---	---	---	---	---
	OHL Input Shaft	(A) 484	987	(A) 829	1239	(A) 1069	2016	(A) 2016	2016	---	---	---	---	---	---	---
	OHL Output Shaft (B)	19910	20233	20233	19910	20233	20233	19910	20233	20233	---	---	---	---	---	---
71.58	Output RPM	48	24	16	48	24	16	48	24	16	---	---	---	---	---	---
	Input HP (Max) (C)	40.39	23.58	14.76	52.70	31.77	21.87	83.93	42.57	28.22	---	---	---	---	---	---
	Output Torque, In-Lb	52813	60775	57414	68908	81893	85035	109752	109752	109752	---	---	---	---	---	---
	OHL Input Shaft	(A) 474	989	(A) 823	1231	(A) 1089	2024	(A) 2024	2024	---	---	---	---	---	---	---
	OHL Output Shaft (B)	19910	20233	20233	19910	20233	20233	19910	20233	20233	---	---	---	---	---	---

(A) (B) (C) - See Footnote page on inside back cover
 NOTE: Blank area (-) indicate configuration not available

NOMENCLATURE PAGE MSM-4	STOCK/NON-STOCK PART NUMBERS PAGE MSM-57	DIMENSIONS PAGE MSM-210	THERMAL RATINGS PAGE MSM-242
----------------------------	---	----------------------------	---------------------------------

SELECTION



QUANTIS

QUANTIS GOLD

ILH

RHB

MSM

MOTORIZED SHAFT MOUNT REDUCER (MSM) Service Factor 1.0 - Clamp Collar / 3 Pc Coupled / Separate DOUBLE REDUCTION

SIZE: MW1682
60 HZ

NEMA MOTOR FRAME IEC MOTOR FRAME SEPARATE GROUP		210TC 132D 132			250TC 160D 160			280TC 180D / 200D 180			320TC 225D 225			360TC 250D 250		
RATIO	OUTPUT RATING DATA	3450	1750	1160	3450	1750	1160	3450	1750	1160	3450	1750	1160	3450	1750	1160
80.50	Output RPM	43	22	14	43	22	14	---	---	---	---	---	---	---	---	---
	Input HP (Max) (C)	36.40	21.34	13.88	47.38	28.78	19.81	---	---	---	---	---	---	---	---	---
	Output Torque, In-Lb	53528	61876	60720	69681	83433	86653	---	---	---	---	---	---	---	---	---
	OHL Input Shaft (A)	456	456	987	987	812	812	1223	---	---	---	---	---	---	---	---
	OHL Output Shaft (B)	19910	20233	20233	19910	20233	20233	---	---	---	---	---	---	---	---	---
86.06	Output RPM	40	20	13	40	20	13	---	---	---	---	---	---	---	---	---
	Input HP (Max) (C)	34.29	20.15	12.91	44.58	27.18	18.15	---	---	---	---	---	---	---	---	---
	Output Torque, In-Lb	53907	62458	60343	70091	84256	84888	---	---	---	---	---	---	---	---	---
	OHL Input Shaft (A)	444	444	990	990	807	807	1282	---	---	---	---	---	---	---	---
	OHL Output Shaft (B)	20233	20233	20233	20233	20233	20233	---	---	---	---	---	---	---	---	---

(A) (B) (C) - See Footnote page on inside back cover
NOTE: Blank area (-) indicate configuration not available

NOMENCLATURE PAGE MSM-4	STOCK/NON-STOCK PART NUMBERS PAGE MSM-57	DIMENSIONS PAGE MSM-210	THERMAL RATINGS PAGE MSM-242
----------------------------	---	----------------------------	---------------------------------

MOTORIZED SHAFT MOUNT REDUCER (MSM)
Service Factor 1.0 - Clamp Collar / 3 Pc Coupled / Separate
TRIPLE REDUCTION

SIZE: MW1683
60 HZ

NEMA MOTOR FRAME IEC MOTOR FRAME SEPARATE GROUP		210TC 132D 132			250TC 160D 160			280TC 180D / 200D 180			320TC 225D 225			360TC 250D 250			
RATIO	OUTPUT RATING DATA	3450	1750	1160	3450	1750	1160	3450	1750	1160	3450	1750	1160	3450	1750	1160	
38.51	Output RPM	---	---	---	90	45	30	90	45	30	90	45	30	90	45	30	
	Input HP (Max) (C)	---	---	---	89.63	45.47	30.14	168.58	85.51	56.68	168.58	85.51	56.68	168.58	85.51	56.68	
	Output Torque, In-Lb	---	---	---	63060	63060	63060	118603	118603	118603	118603	118603	118603	118603	118603	118603	118603
	OHL Input Shaft	---	---	---	(A)	1523	1586	(A)	1808	2154	(A)	2188	2280	(A)	2517	2777	
	OHL Output Shaft (B)	---	---	---	17897	20233	20233	17897	20233	20233	17897	20233	20233	17897	20233	20233	
50.32	Output RPM	---	---	---	69	35	23	69	35	23	69	35	23	69	35	23	
	Input HP (Max) (C)	---	---	---	89.63	45.47	30.14	129.02	65.45	43.38	129.02	65.45	43.38	129.02	65.45	43.38	
	Output Torque, In-Lb	---	---	---	82396	82396	82396	118603	118603	118603	118603	118603	118603	118603	118603	118603	118603
	OHL Input Shaft	---	---	---	(A)	1478	1584	(A)	1881	2229	(A)	2204	2296	(A)	2583	2794	
	OHL Output Shaft (B)	---	---	---	17897	20233	20233	17897	20233	20233	17897	20233	20233	17897	20233	20233	
59.27	Output RPM	58	30	20	58	30	20	58	30	20	58	30	20	58	30	20	
	Input HP (Max) (C)	64.54	32.62	18.18	89.63	45.47	30.14	109.55	55.57	36.83	109.55	55.57	36.83	109.55	55.57	36.83	
	Output Torque, In-Lb	69879	69630	58549	97044	97044	97044	118603	118603	118603	118603	118603	118603	118603	118603	118603	118603
	OHL Input Shaft	(A)	949	992	(A)	1440	1577	(A)	1916	2263	(A)	2206	2298	(A)	2618	2797	
	OHL Output Shaft (B)	19910	20233	20233	19910	20233	20233	19910	20233	20233	19910	20233	20233	19910	20233	20233	
67.98	Output RPM	51	26	17	51	26	17	51	26	17	51	26	17	51	26	17	
	Input HP (Max) (C)	64.54	31.72	17.67	89.63	45.47	30.14	95.51	48.45	32.11	95.51	48.45	32.11	95.51	48.45	32.11	
	Output Torque, In-Lb	80149	77656	65275	111307	111307	111307	118603	118603	118603	118603	118603	118603	118603	118603	118603	118603
	OHL Input Shaft	(A)	946	992	(A)	1403	1585	(A)	1941	2287	(A)	2208	2300	(A)	2639	2798	
	OHL Output Shaft (B)	19910	20233	20233	19910	20233	20233	19910	20233	20233	19910	20233	20233	19910	20233	20233	
74.92	Output RPM	46	23	15	46	23	15	46	23	15	46	23	15	46	23	15	
	Input HP (Max) (C)	64.54	30.96	17.25	86.66	43.96	29.14	86.66	43.96	29.14	86.66	43.96	29.14	86.66	43.96	29.14	
	Output Torque, In-Lb	88338	83533	70228	118603	118603	118603	118603	118603	118603	118603	118603	118603	118603	118603	118603	118603
	OHL Input Shaft	(A)	944	992	(A)	1395	1584	(A)	1955	2303	(A)	2208	2300	(A)	2652	2771	
	OHL Output Shaft (B)	19910	20233	20233	19910	20233	20233	19910	20233	20233	19910	20233	20233	19910	20233	20233	
88.59	Output RPM	39	20	13	39	20	13	39	20	13	39	20	13	39	20	13	
	Input HP (Max) (C)	64.54	29.43	16.40	73.28	37.17	24.64	73.28	37.17	24.64	73.28	37.17	24.64	73.28	37.17	24.64	
	Output Torque, In-Lb	104459	93896	78944	118603	118603	118603	118603	118603	118603	118603	118603	118603	118603	118603	118603	118603
	OHL Input Shaft	(A)	951	993	(A)	1419	1579	(A)	1978	2326	(A)	2193	2284	(A)	2666	2781	
	OHL Output Shaft (B)	20233	20233	20233	20233	20233	20233	20233	20233	20233	20233	20233	20233	20233	20233	20233	
100.98	Output RPM	34	17	11	34	17	11	34	17	11	34	17	11	34	17	11	
	Input HP (Max) (C)	64.30	28.07	15.65	64.30	32.61	21.62	64.30	32.61	21.62	64.30	32.61	21.62	64.30	32.61	21.62	
	Output Torque, In-Lb	118603	102089	85840	118603	118603	118603	118603	118603	118603	118603	118603	118603	118603	118603	118603	118603
	OHL Input Shaft	(A)	951	993	(A)	1436	1585	(A)	1993	2342	(A)	2190	2281	(A)	2663	2778	
	OHL Output Shaft (B)	20233	20233	20233	20233	20233	20233	20233	20233	20233	20233	20233	20233	20233	20233	20233	
116.11	Output RPM	30	15	10	30	15	10	30	15	10	30	15	10	---	---	---	
	Input HP (Max) (C)	55.92	26.49	14.76	55.92	28.36	18.80	55.92	28.36	18.80	55.92	28.36	18.80	---	---	---	
	Output Torque, In-Lb	118603	110783	93132	118603	118603	118603	118603	118603	118603	118603	118603	118603	---	---	---	
	OHL Input Shaft	(A)	948	993	(A)	1451	1590	(A)	2007	2356	(A)	2196	2288	---	---	---	
	OHL Output Shaft (B)	20233	20233	20233	20233	20233	20233	20233	20233	20233	20233	20233	20233	---	---	---	
132.73	Output RPM	26	13	9	26	13	9	26	13	9	26	13	9	---	---	---	
	Input HP (Max) (C)	48.91	24.81	13.88	48.91	24.81	16.45	48.91	24.81	16.45	48.91	24.81	16.45	---	---	---	
	Output Torque, In-Lb	118603	118603	100115	118603	118603	118603	118603	118603	118603	118603	118603	118603	---	---	---	
	OHL Input Shaft	(A)	946	992	(A)	1463	1593	(A)	2019	2368	(A)	2200	2293	---	---	---	
	OHL Output Shaft (B)	20233	20233	20233	20233	20233	20233	20233	20233	20233	20233	20233	20233	---	---	---	

(A) (B) (C) - See Footnote page on inside back cover
 NOTE: Blank area (-) indicate configuration not available

NOMENCLATURE PAGE MSM-4	STOCK/NON-STOCK PART NUMBERS PAGE MSM-57	DIMENSIONS PAGE MSM-210	THERMAL RATINGS PAGE MSM-242
----------------------------	---	----------------------------	---------------------------------

MOTORIZED SHAFT MOUNT REDUCER (MSM)

Service Factor 1.0 - Clamp Collar / 3 Pc Coupled / Separate
TRIPLE REDUCTION

SIZE: MW1683
60 HZ

NEMA MOTOR FRAME IEC MOTOR FRAME SEPARATE GROUP		210TC 132D 132			250TC 160D 160			280TC 180D / 200D 180			320TC 225D 225			360TC 250D 250		
RATIO	OUTPUT RATING DATA	3450	1750	1160	3450	1750	1160	3450	1750	1160	3450	1750	1160	3450	1750	1160
153.81	Output RPM	22	11	8	22	11	8	22	11	8	22	11	8	---	---	---
	Input HP (Max) (C)	42.21	21.41	12.91	42.21	21.41	14.19	42.21	21.41	14.19	42.21	21.41	14.19	---	---	---
	Output Torque, In-Lb	118603	118603	107846	118603	118603	118603	118603	118603	118603	118603	118603	118603	---	---	---
	OHL Input Shaft (A)	951	991	(A)	1474	1595	(A)	2030	2380	(A)	2203	2296	---	---	---	---
167.58	OHL Output Shaft (B)	20233	20233	20233	20233	20233	20233	20233	20233	20233	20233	20233	20233	---	---	---
	Output RPM	21	10	7	21	10	7	21	10	7	---	---	---	---	---	---
	Input HP (Max) (C)	38.74	19.65	12.35	38.74	19.65	13.03	38.74	19.65	13.03	---	---	---	---	---	---
	Output Torque, In-Lb	118603	118603	112464	118603	118603	118603	118603	118603	118603	---	---	---	---	---	---
186.69	OHL Input Shaft (A)	952	991	(A)	1480	1596	(A)	2029	2386	---	---	---	---	---	---	---
	OHL Output Shaft (B)	20233	20233	20233	20233	20233	20233	20233	20233	---	---	---	---	---	---	---
	Output RPM	18	9	6	18	9	6	18	9	6	---	---	---	---	---	---
	Input HP (Max) (C)	34.78	17.64	11.69	34.78	17.64	11.69	34.78	17.64	11.69	---	---	---	---	---	---
197.75	Output Torque, In-Lb	118603	118603	118576	118603	118603	118603	118603	118603	---	---	---	---	---	---	---
	OHL Input Shaft (A)	950	990	(A)	1487	1596	(A)	2036	2393	---	---	---	---	---	---	---
	OHL Output Shaft (B)	20233	20233	20233	20233	20233	20233	20233	20233	---	---	---	---	---	---	---
	Output RPM	17	9	6	17	9	6	17	9	6	---	---	---	---	---	---
222.39	Input HP (Max) (C)	32.83	16.65	11.04	32.83	16.65	11.04	32.83	16.65	11.04	---	---	---	---	---	---
	Output Torque, In-Lb	118603	118603	118603	118603	118603	118603	118603	118603	---	---	---	---	---	---	---
	OHL Input Shaft (A)	951	991	(A)	1491	1596	(A)	2040	2396	---	---	---	---	---	---	---
	OHL Output Shaft (B)	20233	20233	20233	20233	20233	20233	20233	20233	---	---	---	---	---	---	---
237.76	Output RPM	16	8	5	16	8	5	---	---	---	---	---	---	---	---	---
	Input HP (Max) (C)	29.19	14.81	9.82	29.19	14.81	9.82	---	---	---	---	---	---	---	---	---
	Output Torque, In-Lb	118603	118603	118603	118603	118603	118603	---	---	---	---	---	---	---	---	---
	OHL Input Shaft (A)	953	993	(A)	1497	1597	---	---	---	---	---	---	---	---	---	---
237.76	OHL Output Shaft (B)	20233	20233	20233	20233	20233	20233	---	---	---	---	---	---	---	---	---
	Output RPM	15	7	5	15	7	5	---	---	---	---	---	---	---	---	---
	Input HP (Max) (C)	27.31	13.85	9.18	27.31	13.85	9.18	---	---	---	---	---	---	---	---	---
	Output Torque, In-Lb	118603	118603	118603	118603	118603	118603	---	---	---	---	---	---	---	---	---
237.76	OHL Input Shaft (A)	954	994	(A)	1500	1597	---	---	---	---	---	---	---	---	---	---
	OHL Output Shaft (B)	20233	20233	20233	20233	20233	20233	---	---	---	---	---	---	---	---	---

(A) (B) (C) - See Footnote page on inside back cover
NOTE: Blank area (-) indicate configuration not available

NOMENCLATURE PAGE MSM-4	STOCK/NON-STOCK PART NUMBERS PAGE MSM-57	DIMENSIONS PAGE MSM-210	THERMAL RATINGS PAGE MSM-242
----------------------------	---	----------------------------	---------------------------------

QUANTIS PART NUMBERS



QUANTIS Part Number Nomenclature

MSM Example: M10C21T01108

M	10	C	21	T	01108
Housing Configuration	Size	Input Type	Frame	Output Type	Ratio
H = ILH Foot Mounted B = RHB Foot Mounted BF = RHB Flange Mounted M = MSM Universal Mounting	3 = 38 4 = 48 6 = 68 8 = 88 10 = 108 12 = 128 14 = 148 16 = 168	C = Clamp Collar	56 = 56C 14 = 140TC 18 = 180TC 21 = 210TC 25 = 250TC 28 = 280TC	S = Solid Inch Shaft (RHB - A side) T = Tapered Hollow	000.00

MSM Reducer Specifications:

- Sizes 108 - 168
- NEMA Clamp Collar Design
- Universal Housing Configuration
- Standard Inch Output Shafts
- Nitrile Input and Output Shafts
- A1 Mounting
- Mobilgear 600 XP 220



NOMENCLATURE PAGE MSM-4	SELECTION GEARMOTOR PAGE MSM-62	DIMENSIONS PAGE MSM-98	THERMAL RATINGS PAGE MSM-242
----------------------------	------------------------------------	---------------------------	---------------------------------

QUANTIS PART NUMBERS



MSM Universal Housing Non-Stock Part Numbers

MW Housing - Non-Stock

Ratio	Size	Exact Ratio	Part Number	Output RPM	Output Torque (in-lb)	Output OHL (lbf)	Mechanical Input HP (Max)			
							180TC	210TC	250TC	280TC
10:1	MW 1082	11.08	M10C21T01108	158	13059	5433		32.74		
	MW 1082	11.08	M10C25T01108	158	18135	5433			45.47	
	MW 1082	11.08	M10C28T01108	158	26332	5433				66.01
	MW 1282	10.56	M12C21T01056	166	12206	6777		32.08		
	MW 1282	10.56	M12C25T01056	166	17297	6777			45.47	
	MW 1282	10.56	M12C28T01056	166	35229	6777				92.6
	MW 1482	9.86	M14C25T00986	177	16140	9664			45.47	
	MW 1482	9.86	M14C28T00986	177	32873	9664				92.6
15:1	MW 1682	9.71	M16C25T00971	180	15900	15239			45.47	
	MW 1682	9.71	M16C28T00971	180	32384	15239				92.6
	MW 1082	14.59	M10C18T01459	120	5441	5433	10.36			
	MW 1082	14.59	M10C21T01459	120	17199	5433		32.74		
	MW 1082	14.59	M10C25T01459	120	23885	5433			45.47	
	MW 1082	14.59	M10C28T01459	120	27831	5433				52.98
	MW 1282	16.27	M12C21T01627	108	16806	6777		28.68		
	MW 1282	16.27	M12C25T01627	108	26642	6777			45.47	
	MW 1282	16.27	M12C28T01627	108	46256	6777				78.94
	MW 1482	14.68	M14C21T01468	119	16363	10832		30.96		
	MW 1482	14.68	M14C25T01468	119	24031	10832			45.47	
	MW 1482	14.68	M14C28T01468	119	48944	10832				92.6
20:1	MW 1682	14.51	M16C21T01451	121	17017	16653		32.57		
	MW 1682	14.51	M16C25T01451	121	23754	16653			45.47	
	MW 1682	14.51	M16C28T01451	121	48379	16653				92.6
	MW 1082	19.78	M10C18T01978	88	7378	5433	10.36			
	MW 1082	19.78	M10C21T01978	88	22693	5433		31.85		
	MW 1082	19.78	M10C25T01978	88	28786	5433			40.41	
	MW 1082	19.78	M10C28T01978	88	29303	5433				41.13
	MW 1282	21.57	M12C21T02157	81	19947	6777		25.68		
	MW 1282	21.57	M12C25T02157	81	35315	6777			45.47	
	MW 1282	21.57	M12C28T02157	81	48313	6777				62.2
	MW 1482	19.78	M14C21T01978	88	19998	11478		28.07		
	MW 1482	19.78	M14C25T01978	88	32388	11478			45.47	
MW 1482	19.78	M14C28T01978	88	58038	11478				81.47	
MW 1682	21.85	M16C21T02185	80	22879	17897		29.07			
MW 1682	21.85	M16C25T02185	80	35782	17897			45.47		
MW 1682	21.85	M16C28T02185	80	70534	17897				89.62	

◆ Build to Order

Note: Twin Tapered Hollow Output Bore, A1 Mounting, Clamp Collar - Input, 1750 RPM Input
Twin Tapered need to be ordered separately

NOMENCLATURE
PAGE MSM-4

SELECTION GEARMOTOR
PAGE MSM-62

DIMENSIONS
PAGE MSM-98

THERMAL RATINGS
PAGE MSM-242

MSM Universal Housing Non-Stock Part Numbers MW Housing - Non-Stock ♦ (continued)

Ratio	Size	Exact Ratio	Part Number	Output RPM	Output Torque (in-lb)	Output OHL (lbf)	Mechanical Input HP (Max)			
							180TC	210TC	250TC	280TC
25:1	MW 1082	24.89	M10C18T02489	70	9285	5433	10.36			
	MW 1082	24.89	M10C21T02489	70	23873	5433		26.63		
	MW 1082	24.89	M10C25T02489	70	23873	5433			26.63	
	MW 1082	24.89	M10C28T02489	70	23873	5433				26.63
	MW 1282	24.77	M12C18T02477	71	9239	6777	10.36			
	MW 1282	24.77	M12C21T02477	71	21482	6777		24.08		
	MW 1282	24.77	M12C25T02477	71	38689	6777			43.37	
	MW 1282	24.77	M12C28T02477	71	49267	6777				55.23
	MW 1482	26	M14C21T02600	67	23326	11478		24.91		
	MW 1482	26	M14C25T02600	67	42154	11478			45.02	
MW 1482	26	M14C28T02600	67	60187	11478				64.28	
30:1	MW 1082	36.54	M10C18T03654	48	13628	5433	10.36			
	MW 1082	36.54	M10C21T03654	48	27780	5433		21.11		
	MW 1082	36.54	M10C25T03654	48	27780	5433			21.11	
	MW 1082	36.54	M10C28T03654	48	27780	5433				21.11
	MW 1282	36.83	M12C18T03683	48	13736	6777	10.36			
	MW 1282	36.83	M12C21T03683	48	43421	6777		32.74		
	MW 1282	36.83	M12C25T03683	48	50451	6777			38.04	
	MW 1282	36.83	M12C28T03683	48	50451	6777				38.04
	MW 1482	30.39	M14C21T03039	58	35836	11478		32.74		
	MW 1482	30.39	M14C25T03039	58	49766	11478			45.47	
MW 1482	30.39	M14C28T03039	58	70808	11478				64.69	
MW 1682	31.83	M16C28T03183	55	76962	19910				67.13	
40:1	MW 1082	40.62	M10C18T04062	43	15152	5433	10.36			
	MW 1082	40.62	M10C21T04062	43	28912	5433		19.76		
	MW 1082	40.62	M10C25T04062	43	28912	5433			19.76	
	MW 1282	43.21	M12C18T04321	40	16119	6777	10.36			
	MW 1282	43.21	M12C21T04321	40	48580	6777		31.21		
	MW 1282	43.21	M12C25T04321	40	50451	6777			32.42	
	MW 1282	43.21	M12C28T04321	40	50451	6777				32.42
	MW 1482	40.36	M14C21T04036	43	47182	11478		32.46		
	MW 1482	40.36	M14C25T04036	43	63040	11478			43.37	
	MW 1482	40.36	M14C28T04036	43	70808	11478				48.72
	MW 1682	42.03	M16C21T04203	42	49378	19910		32.62		
	MW 1682	42.03	M16C25T04203	42	68818	19910			45.47	
MW 1682	42.03	M16C28T04203	42	109752	19910				72.51	

♦ Build to Order

Note: Twin Tapered Hollow Output Bore, A1 Mounting, Clamp Collar - Input, 1750 RPM Input
Twin Tapered need to be ordered separately

NOMENCLATURE PAGE MSM-4	SELECTION GEARMOTOR PAGE MSM-62	DIMENSIONS PAGE MSM-98	THERMAL RATINGS PAGE MSM-242
----------------------------	------------------------------------	---------------------------	---------------------------------

QUANTIS PART NUMBERS



MSM Universal Housing Non-Stock Part Numbers MW Housing - Non-Stock ♦ (continued)

Ratio	Size	Exact Ratio	Part Number	Output RPM	Output Torque (in-lb)	Output OHL (lbf)	Mechanical Input HP (Max)			
							180TC	210TC	250TC	280TC
50:1	MW 1083	49.04	M10C21T04904	36	30093	5433		17.04		
	MW 1083	49.04	M10C25T04904	36	30093	5433			17.04	
	MW 1283	50.57	M12C21T05057	35	53991	6777		29.64		
	MW 1283	50.57	M12C25T05057	35	53991	6777			29.64	
	MW 1283	50.57	M12C28T05057	35	53991	6777				29.64
	MW 1482	51.15	M14C21T05115	34	49839	11478		27.05		
	MW 1482	51.15	M14C25T05115	34	66561	11478			36.13	
	MW 1482	51.15	M14C28T05115	34	70808	11478				38.44
60:1	MW 1683	50.32	M16C25T05032	35	82396	20233			45.47	
	MW 1683	50.32	M16C28T05032	35	118603	20233				65.45
	MW 1082	66.48	M10C18T06648	26	18863	5433	7.88			
	MW 1082	66.48	M10C21T06648	26	30093	5433		12.57		
	MW 1083	59.81	M10C18T05981	29	22310	5433	10.36			
	MW 1083	59.81	M10C21T05981	29	30093	5433		13.97		
	MW 1083	59.81	M10C25T05981	29	30093	5433			13.97	
	MW 1282	62.03	M12C18T06203	28	21926	6777	9.82			
	MW 1282	62.03	M12C21T06203	28	50451	6777		22.59		
	MW 1282	62.03	M12C25T06203	28	50451	6777			22.59	
	MW 1482	60.53	M14C21T06053	29	51431	11478		23.59		
	MW 1482	60.53	M14C25T06053	29	68755	11478			31.54	
75:1	MW 1482	60.53	M14C28T06053	29	70808	11478				32.48
	MW 1682	60.66	M16C21T06066	29	59072	20233		27.04		
	MW 1682	60.66	M16C25T06066	29	79493	20233			36.39	
	MW 1682	60.66	M16C28T06066	29	109752	20233				50.24
	MW 1082	72.74	M10C18T07274	24	19121	5433	7.3			
	MW 1082	72.74	M10C21T07274	24	30093	5433		11.49		
	MW 1283	76.87	M12C18T07687	23	28673	6777	10.36			
	MW 1283	76.87	M12C21T07687	23	53991	6777		19.5		
75:1	MW 1283	76.87	M12C25T07687	23	53991	6777			19.5	
	MW 1482	73.42	M14C21T07342	24	53027	11478		20.06		
	MW 1482	73.42	M14C25T07342	24	70808	11478			26.78	
	MW 1483	79.78	M14C21T07978	22	77004	11478		26.8		
	MW 1483	79.78	M14C25T07978	22	77004	11478			26.8	
	MW 1483	79.78	M14C28T07978	22	77004	11478				26.8
	MW 1683	74.92	M16C21T07492	23	83533	20233		30.96		
	MW 1683	74.92	M16C25T07492	23	118603	20233			43.96	
	MW 1683	74.92	M16C28T07492	23	118603	20233				43.96

♦ Build to Order

Note: Twin Tapered Hollow Output Bore, A1 Mounting, Clamp Collar - Input, 1750 RPM Input
Twin Tapered need to be ordered separately

NOMENCLATURE
PAGE MSM-4

SELECTION GEARMOTOR
PAGE MSM-62

DIMENSIONS
PAGE MSM-98

THERMAL RATINGS
PAGE MSM-242

QUANTIS PART NUMBERS



MSM Universal Housing Non-Stock Part Numbers MW Housing - Non-Stock ♦ (continued)

Ratio	Size	Exact Ratio	Part Number	Output RPM	Output Torque (in-lb)	Output OHL (lb)	Mechanical Input HP (Max)			
							180TC	210TC	250TC	280TC
100:1	MW 1083	94.52	M10C18T09452	19	30093	5433	8.84			
	MW 1083	94.52	M10C21T09452	19	30093	5433		8.84		
	MW 1283	90.32	M12C18T09032	19	33691	6777	10.36			
	MW 1283	90.32	M12C21T09032	19	53991	6777		16.6		
	MW 1283	90.32	M12C25T09032	19	53991	6777			16.6	
	MW 1283	102.35	M12C18T10235	17	38179	6777	10.36			
	MW 1283	102.35	M12C21T10235	17	53991	6777		14.65		
	MW 1283	102.35	M12C25T10235	17	53991	6777			14.65	
	MW 1483	105.94	M14C18T10594	17	39515	11478	10.36			
	MW 1483	105.94	M14C21T10594	17	77004	11478		20.18		
	MW 1483	105.94	M14C25T10594	17	77004	11478			20.18	
	MW 1483	105.94	M14C28T10594	17	77004	11478				20.18
	MW 1683	100.98	M16C21T10098	17	102089	20233		28.07		
MW 1683	100.98	M16C25T10098	17	118603	20233			32.61		
MW 1683	100.98	M16C28T10098	17	118603	20233				32.61	
125:1	MW 1083	120.93	M10C18T12093	14	30093	5433	6.91			
	MW 1083	120.93	M10C21T12093	14	30093	5433		6.91		
	MW 1483	134.28	M14C18T13428	13	50086	11478	10.36			
	MW 1483	134.28	M14C21T13428	13	77004	11478		15.92		
	MW 1483	134.28	M14C25T13428	13	77004	11478			15.92	
150:1	MW 1083	146.04	M10C18T14604	12	30093	5433	5.72			
	MW 1283	154.25	M12C18T15425	11	53991	6777	9.72			
	MW 1283	154.25	M12C21T15425	11	53991	6777		9.72		
	MW 1483	149.86	M14C18T14986	12	55899	11478	10.36			
	MW 1483	149.86	M14C21T14986	12	77004	11478		14.27		
	MW 1483	149.86	M14C25T14986	12	77004	11478			14.27	
	MW 1683	153.81	M16C21T15381	11	118603	20233		21.41		
	MW 1683	153.81	M16C25T15381	11	118603	20233			21.41	
MW 1683	153.81	M16C28T15381	11	118603	20233				21.41	
200:1	MW 1083	202.29	M10C18T20229	9	30093	5433	4.13			
	MW 1283	184.67	M12C18T18467	9	53991	6777	8.12			
	MW 1283	184.67	M12C21T18467	9	53991	6777		8.12		
	MW 1483	202.69	M14C18T20269	9	59724	11478	8.18			
	MW 1483	202.69	M14C21T20269	9	77004	11478		10.55		
	MW 1683	197.75	M16C21T19775	9	118603	20233		16.65		
	MW 1683	197.75	M16C25T19775	9	118603	20233			16.65	
MW 1683	197.75	M16C28T19775	9	118603	20233				16.65	
250:1	MW 1083	240.77	M10C18T24077	7	30093	5433	3.47			

♦ Build to Order

Note: Twin Tapered Hollow Output Bore, A1 Mounting, Clamp Collar - Input, 1750 RPM Input
Twin Tapered need to be ordered separately

NOMENCLATURE PAGE MSM-4	SELECTION GEARMOTOR PAGE MSM-62	DIMENSIONS PAGE MSM-98	THERMAL RATINGS PAGE MSM-242
----------------------------	------------------------------------	---------------------------	---------------------------------

MOTORIZED SHAFT MOUNT INTEGRAL GEARMOTORS (MSM) - 1750 RPM 60 Hz

INPUT POWER (HP)	SPEED (RPM)	RATIO	OHL (LBF) (B)	OUTPUT TORQUE (LB-IN)	GEAR STAGE	SERVICE FACTOR (SF)	CATALOG NUMBER
0.25	86	20.37	706	183	2	7.94	MW382GH71C4
	78	22.58	706	203	2	7.36	
	68	25.58	706	230	2	6.70	
	62	28.22	906	254	2	6.20	
	55	31.91	906	287	2	5.63	
	48	36.43	906	328	2	5.05	
	46	38.19	906	344	2	5.89	
	40	43.43	962	391	2	5.33	
	35	49.56	962	446	2	4.80	
	31	55.84	962	503	2	4.36	
	28	62.40	962	562	2	3.97	
	25	71.18	962	641	2	3.55	
	22	80.17	962	722	2	3.21	
	40	44.05	962	397	3	7.36	MW383GH71C4
	34	51.16	962	461	3	6.34	
	32	55.40	962	499	3	5.85	
	28	62.66	962	564	3	5.18	
	25	68.86	962	620	3	4.71	
	23	75.95	962	684	3	4.27	
	21	84.13	962	757	3	3.86	
	19	93.67	962	843	3	3.46	
	16	107.49	962	968	3	3.02	
	15	118.98	962	1071	3	2.73	
	13	135.32	962	1218	3	2.40	
	11	154.43	962	1390	3	2.10	
	10	173.99	962	1567	3	1.86	
	9	194.43	962	1751	3	1.67	
	8	221.77	962	1997	3	1.46	
	7	249.78	962	2249	3	1.30	
	51	34.58	1334	311	2	7.93	MW482GH71C4
	46	38.33	1334	345	2	7.35	
	40	43.43	1334	391	2	6.69	
	37	47.92	1334	431	2	6.21	
	32	54.17	1334	488	2	5.62	
	28	61.86	1334	557	2	5.05	
	25	70.33	1334	633	2	4.54	
23	75.27	1334	678	2	4.28		
20	86.77	1334	781	2	3.79		
25	70.42	1334	634	3	7.54	MW483GH71C4	
23	77.29	1334	696	3	6.87		
21	85.22	1334	767	3	6.23		

(B) - See Footnote page on inside back cover

NOMENCLATURE PAGE MSM-4	DIMENSIONS PAGE MSM-104	THERMAL RATINGS PAGE MSM-242	MOTOR INFORMATION PAGE ENGINEERING-14
----------------------------	----------------------------	---------------------------------	--

MOTORIZED SHAFT MOUNT INTEGRAL GEARMOTORS (MSM) - 1750 RPM 60 Hz

INPUT POWER (HP)	SPEED (RPM)	RATIO	OHL (LBF) (B)	OUTPUT TORQUE (LB-IN)	GEAR STAGE	SERVICE FACTOR (SF)	CATALOG NUMBER
0.25 (CONT.)	19	94.46	1334	850	3	5.62	MW483GH71C4
	16	107.02	1334	964	3	4.96	
	15	118.08	1334	1063	3	4.50	
	13	133.5	1334	1202	3	3.98	
	11	152.43	1334	1372	3	3.48	
	10	173.31	1334	1560	3	3.06	
	9	185.49	1334	1670	3	2.86	
	8	213.83	1334	1925	3	2.48	
	MW682GH71C4	42	41.89	2500	377	2	7.86
		38	46.14	2500	415	2	7.30
		33	53.07	2500	478	2	6.51
		30	57.49	2500	518	2	6.10
		28	63.54	2500	572	2	5.62
		24	74.13	2500	667	2	4.93
		21	82.52	2500	743	2	4.49
	MW683GH71C4	15	113.59	2500	1023	3	7.85
		14	125.11	2500	1126	3	7.27
		12	143.88	2500	1295	3	6.50
		11	155.87	2500	1403	3	6.09
		10	172.28	2500	1551	3	5.60
		9	200.99	2500	1810	3	4.89
		8	223.74	2500	2014	3	4.39
		MW883GH71C4	13	139.26	3611	1254	3
	12		151.22	3611	1362	3	7.44
	10		167.20	3611	1505	3	6.87
	10		181.13	3611	1631	3	6.43
	9		204.11	3611	1838	3	5.83
	8		223.47	3611	2012	3	5.40
7	248.92		3611	2241	3	4.92	
6	284.63		3611	2563	3	4.37	
6	315.64		3611	2842	3	3.99	
5	350.03		3611	3152	3	3.64	
0.33	179	9.80	678	116	2	6.14	MW382GH71D4
	154	11.39	704	135	2	6.14	
	138	12.64	704	150	2	6.13	
	127	13.76	704	164	2	6.10	
	114	15.39	704	183	2	6.12	
	104	16.83	704	200	2	6.12	
	95	18.47	706	220	2	6.11	
	86	20.37	706	242	2	6.01	
	78	22.58	706	268	2	5.58	

(B) - See Footnote page on inside back cover

NOMENCLATURE PAGE MSM-4	DIMENSIONS PAGE MSM-120	THERMAL RATINGS PAGE MSM-242	MOTOR INFORMATION PAGE ENGINEERING-14
----------------------------	----------------------------	---------------------------------	--

**MOTORIZED SHAFT MOUNT INTEGRAL GEARMOTORS (MSM) - 1750 RPM
60 Hz**

INPUT POWER (HP)	SPEED (RPM)	RATIO	OHL (LBF) (B)	OUTPUT TORQUE (LB-IN)	GEAR STAGE	SERVICE FACTOR (SF)	CATALOG NUMBER
0.33 (CONT.)	68	25.58	706	304	2	5.07	MW382GH71D4
	62	28.22	906	335	2	4.70	
	55	31.91	906	379	2	4.26	
	48	36.43	906	433	2	3.83	
	46	38.19	906	454	2	4.46	
	40	43.43	962	516	2	4.04	
	35	49.56	962	589	2	3.64	
	31	55.84	962	664	2	3.30	
	28	62.40	962	742	2	3.01	
	25	71.18	962	846	2	2.69	
	22	80.17	962	953	2	2.43	
	44	40.04	906	476	3	6.12	MW383GH71D4
	40	44.05	962	524	3	5.57	
	34	51.16	962	608	3	4.80	
	32	55.40	962	658	3	4.44	
	28	62.66	962	745	3	3.92	
	25	68.86	962	818	3	3.57	
	23	75.95	962	903	3	3.23	
	21	84.13	962	1000	3	2.92	
	19	93.67	962	1113	3	2.62	
	16	107.49	962	1277	3	2.29	
	15	118.98	962	1414	3	2.07	
	13	135.32	962	1608	3	1.82	
	11	154.43	962	1835	3	1.59	
	10	173.99	962	2068	3	1.41	
	9	194.43	962	2311	3	1.26	
	8	221.77	962	2636	3	1.11	
	139	12.59	1098	150	2	6.10	MW482GH71D4
	124	14.11	1098	168	2	6.11	
	114	15.41	1098	183	2	6.12	
	105	16.63	1098	198	2	6.11	
	90	19.34	1135	230	2	6.11	
	82	21.46	1135	255	2	6.12	
	75	23.37	1135	278	2	6.11	
	67	26.14	1135	311	2	6.11	
	61	28.58	1334	340	2	6.11	
56	31.36	1334	373	2	6.11		
51	34.58	1334	411	2	6.00		
46	38.33	1334	456	2	5.56		
40	43.43	1334	516	2	5.07		
37	47.92	1334	570	2	4.69		

(B) - See Footnote page on inside back cover

NOMENCLATURE PAGE MSM-4	DIMENSIONS PAGE MSM-104	THERMAL RATINGS PAGE MSM-242	MOTOR INFORMATION PAGE ENGINEERING-14
----------------------------	----------------------------	---------------------------------	--

MOTORIZED SHAFT MOUNT INTEGRAL GEARMOTORS (MSM) - 1750 RPM 60 Hz

INPUT POWER (HP)	SPEED (RPM)	RATIO	OHL (LBF) (B)	OUTPUT TORQUE (LB-IN)	GEAR STAGE	SERVICE FACTOR (SF)	CATALOG NUMBER
0.33 (CONT.)	32	54.17	1334	644	2	4.26	MW482GH71D4
	28	61.86	1334	735	2	3.83	
	25	70.33	1334	836	2	3.44	
	23	75.27	1334	895	2	3.24	
	20	86.77	1334	1031	2	2.87	
	43	40.99	1334	487	3	6.12	MW483GH71D4
	37	47.66	1334	566	3	6.12	
	33	52.88	1334	628	3	6.12	
	30	57.59	1334	684	3	6.12	
	27	64.41	1334	765	3	6.12	
	25	70.42	1334	837	3	5.71	
	23	77.29	1334	919	3	5.20	
	21	85.22	1334	1013	3	4.72	
	19	94.46	1334	1123	3	4.26	
	16	107.02	1334	1272	3	3.76	
	15	118.08	1334	1403	3	3.41	
	13	133.50	1334	1587	3	3.01	
	11	152.43	1334	1812	3	2.64	
	10	173.31	1334	2060	3	2.32	
	9	185.49	1334	2204	3	2.17	
	8	213.83	1334	2541	3	1.88	
	120	14.59	2500	173	2	6.13	MW682GH71D4
	107	16.28	2500	193	2	6.13	
	99	17.64	2500	210	2	6.11	
	88	19.99	2500	238	2	6.11	
	81	21.54	2500	256	2	6.12	
	75	23.29	2500	277	2	6.11	
	65	26.75	2500	318	2	6.12	
	60	29.37	2500	349	2	6.12	
	54	32.34	2500	384	2	6.12	
	50	35.10	2500	417	2	6.12	
	46	38.25	2500	455	2	6.11	
42	41.89	2500	498	2	5.95		
38	46.14	2500	548	2	5.53		
33	53.07	2500	631	2	4.94		
30	57.49	2500	683	2	4.63		
28	63.54	2500	755	2	4.26		
24	74.13	2500	881	2	3.74		
21	82.52	2500	981	2	3.40		
30	59.29	2500	705	3	6.11	MW683GH71D4	
26	66.45	2500	790	3	6.12		

(B) - See Footnote page on inside back cover

NOMENCLATURE PAGE MSM-4	DIMENSIONS PAGE MSM-120	THERMAL RATINGS PAGE MSM-242	MOTOR INFORMATION PAGE ENGINEERING-14
----------------------------	----------------------------	---------------------------------	--

MOTORIZED SHAFT MOUNT INTEGRAL GEARMOTORS (MSM) - 1750 RPM 60 Hz

INPUT POWER (HP)	SPEED (RPM)	RATIO	OHL (LBF) (B)	OUTPUT TORQUE (LB-IN)	GEAR STAGE	SERVICE FACTOR (SF)	CATALOG NUMBER
0.33 (CONT.)	24	72.54	2500	862	3	6.12	MW683GH71D4
	22	79.63	2500	946	3	6.12	
	20	87.68	2500	1042	3	6.12	
	18	95.16	2500	1131	3	6.12	
	17	103.72	2500	1233	3	6.12	
	15	113.59	2500	1350	3	5.95	
	14	125.11	2500	1487	3	5.51	
	12	143.88	2500	1710	3	4.92	
	11	155.87	2500	1852	3	4.61	
	10	172.28	2500	2047	3	4.25	
	9	200.99	2500	2389	3	3.70	
	8	223.74	2500	2659	3	3.33	
	20	87.25	3611	1037	3	6.12	MW883GH71D4
	18	97.39	3611	1157	3	6.12	
	17	105.48	3611	1254	3	6.12	
	15	119.55	3611	1421	3	6.12	
	14	128.79	3611	1531	3	6.12	
	13	139.26	3611	1655	3	6.02	
	12	151.22	3611	1797	3	5.64	
10	167.20	3611	1987	3	5.20		
10	181.13	3611	2153	3	4.87		
9	204.11	3611	2426	3	4.41		
8	223.47	3611	2656	3	4.09		
7	248.92	3611	2958	3	3.73		
6	284.63	3611	3383	3	3.31		
6	315.64	3611	3751	3	3.02		
5	350.03	3611	4160	3	2.76		
0.5	179	9.80	678	176	2	4.05	MW382GH71E4
	154	11.39	704	205	2	4.04	
	138	12.64	704	228	2	4.03	
	127	13.76	704	248	2	4.04	
	114	15.39	704	277	2	4.04	
	104	16.83	704	303	2	4.04	
	95	18.47	706	333	2	4.03	
	86	20.37	706	367	2	3.96	
	78	22.58	706	407	2	3.67	
	68	25.58	706	461	2	3.34	
	62	28.22	906	508	2	3.10	
	55	31.91	906	575	2	2.81	
	48	36.43	906	656	2	2.52	
	46	38.19	906	688	2	2.94	

(B) - See Footnote page on inside back cover

NOMENCLATURE PAGE MSM-4	DIMENSIONS PAGE MSM-136	THERMAL RATINGS PAGE MSM-242	MOTOR INFORMATION PAGE ENGINEERING-14
----------------------------	----------------------------	---------------------------------	--

MOTORIZED SHAFT MOUNT INTEGRAL GEARMOTORS (MSM) - 1750 RPM 60 Hz

INPUT POWER (HP)	SPEED (RPM)	RATIO	OHL (LBF) (B)	OUTPUT TORQUE (LB-IN)	GEAR STAGE	SERVICE FACTOR (SF)	CATALOG NUMBER	
0.5 (CONT.)	40	43.43	962	782	2	2.67	MW382GH71E4	
	35	49.56	962	892	2	2.40		
	31	55.84	962	1006	2	2.18		
	28	62.40	962	1124	2	1.99		
	25	71.18	962	1282	2	1.78		
	22	80.17	962	1444	2	1.60		
	44	40.04	906	721	3	4.04	MW383GH71E4	
		40	44.05	962	793	3		3.68
		34	51.16	962	921	3		3.17
		32	55.40	962	998	3		2.93
		28	62.66	962	1128	3		2.59
		25	68.86	962	1240	3		2.36
		23	75.95	962	1368	3		2.14
		21	84.13	962	1515	3		1.93
		19	93.67	962	1687	3		1.73
		16	107.49	962	1936	3		1.51
		15	118.98	962	2142	3		1.36
		13	135.32	962	2437	3		1.20
	11	154.43	962	2781	3	1.05		
	139	12.59	1098	227	2	4.03	MW482GH71E4	
		124	14.11	1098	254	2		4.04
		114	15.41	1098	277	2		4.04
		105	16.63	1098	299	2		4.04
		90	19.34	1135	348	2		4.04
		82	21.46	1135	386	2		4.04
		75	23.37	1135	421	2		4.04
		67	26.14	1135	471	2		4.03
		61	28.58	1334	515	2		4.03
		56	31.36	1334	565	2		4.04
		51	34.58	1334	623	2		3.96
		46	38.33	1334	690	2		3.68
		40	43.43	1334	782	2		3.34
		37	47.92	1334	863	2		3.10
		32	54.17	1334	975	2		2.81
		28	61.86	1334	1114	2		2.52
		25	70.33	1334	1266	2		2.27
23		75.27	1334	1355	2	2.14		
20	86.77	1334	1562	2	1.90			
43	40.99	1334	738	3	4.04	MW483GH71E4		
	37	47.66	1334	858	3		4.04	
	33	52.88	1334	952	3		4.04	

(B) - See Footnote page on inside back cover

NOMENCLATURE PAGE MSM-4	DIMENSIONS PAGE MSM-104	THERMAL RATINGS PAGE MSM-242	MOTOR INFORMATION PAGE ENGINEERING-14
----------------------------	----------------------------	---------------------------------	--

MOTORIZED SHAFT MOUNT INTEGRAL GEARMOTORS (MSM) - 1750 RPM 60 Hz

INPUT POWER (HP)	SPEED (RPM)	RATIO	OHL (LBF) (B)	OUTPUT TORQUE (LB-IN)	GEAR STAGE	SERVICE FACTOR (SF)	CATALOG NUMBER
0.5 (CONT.)	30	57.59	1334	1037	3	4.04	MW483GH71E4
	27	64.41	1334	1160	3	4.04	
	25	70.42	1334	1268	3	3.77	
	23	77.29	1334	1392	3	3.43	
	21	85.22	1334	1535	3	3.11	
	19	94.46	1334	1701	3	2.81	
	16	107.02	1334	1927	3	2.48	
	15	118.08	1334	2126	3	2.25	
	13	133.5	1334	2404	3	1.99	
	11	152.43	1334	2745	3	1.74	
	10	173.31	1334	3121	3	1.53	
	9	185.49	1334	3340	3	1.43	
	8	213.83	1334	3850	3	1.24	
	120	14.59	2500	263	2	4.03	MW682GH71E4
	107	16.28	2500	293	2	4.04	
	99	17.64	2500	318	2	4.03	
	88	19.99	2500	360	2	4.04	
	81	21.54	2500	388	2	4.04	
	75	23.29	2500	419	2	4.04	
	65	26.75	2500	482	2	4.04	
	60	29.37	2500	529	2	4.04	
	54	32.34	2500	582	2	4.04	
	50	35.10	2500	632	2	4.04	
	46	38.25	2500	689	2	4.04	
	42	41.89	2500	754	2	3.93	
	38	46.14	2500	831	2	3.64	
	33	53.07	2500	956	2	3.26	
	30	57.49	2500	1035	2	3.05	
	28	63.54	2500	1144	2	2.81	
	24	74.13	2500	1335	2	2.47	
	21	82.52	2500	1486	2	2.25	
	30	59.29	2500	1068	3	4.04	MW683GH71E4
	26	66.45	2500	1197	3	4.04	
	24	72.54	2500	1306	3	4.04	
	22	79.63	2500	1434	3	4.04	
	20	87.68	2500	1579	3	4.04	
18	95.16	2500	1714	3	4.04		
17	103.72	2500	1868	3	4.04		
15	113.59	2500	2045	3	3.93		
14	125.11	2500	2253	3	3.63		
12	143.88	2500	2591	3	3.25		

(B) - See Footnote page on inside back cover

NOMENCLATURE PAGE MSM-4	DIMENSIONS PAGE MSM-120	THERMAL RATINGS PAGE MSM-242	MOTOR INFORMATION PAGE ENGINEERING-14
----------------------------	----------------------------	---------------------------------	--

MOTORIZED SHAFT MOUNT INTEGRAL GEARMOTORS (MSM) - 1750 RPM 60 Hz

INPUT POWER (HP)	SPEED (RPM)	RATIO	OHL (LBF) (B)	OUTPUT TORQUE (LB-IN)	GEAR STAGE	SERVICE FACTOR (SF)	CATALOG NUMBER
0.5 (CONT.)	11	155.87	2500	2807	3	3.04	MW683GH71E4
	10	172.28	2500	3102	3	2.80	
	9	200.99	2500	3619	3	2.45	
	8	223.74	2500	4029	3	2.20	
	20	87.25	3611	1571	3	4.04	MW883GH71E4
	18	97.39	3611	1754	3	4.04	
	17	105.48	3611	1899	3	4.04	
	15	119.55	3611	2153	3	4.04	
	14	128.79	3611	2319	3	4.04	
	13	139.26	3611	2508	3	3.97	
	12	151.22	3611	2723	3	3.72	
	10	167.2	3611	3011	3	3.43	
	10	181.13	3611	3262	3	3.22	
	9	204.11	3611	3675	3	2.91	
	8	223.47	3611	4024	3	2.70	
	7	248.92	3611	4482	3	2.46	
	6	284.63	3611	5125	3	2.19	
	6	315.64	3611	5684	3	2.00	
5	350.03	3611	6303	3	1.82		
0.75	179	9.80	678	265	2	3.28	MW382GH80F4
	154	11.39	704	308	2	3.28	
	138	12.64	704	341	2	3.28	
	127	13.76	704	372	2	3.28	
	114	15.39	704	416	2	3.28	
	104	16.83	704	455	2	3.28	
	95	18.47	706	499	2	3.28	
	86	20.37	706	550	2	3.28	
	78	22.58	706	610	2	3.28	
	68	25.58	706	691	2	3.28	
	62	28.22	906	762	2	3.16	
	55	31.91	906	862	2	2.95	
	48	36.43	906	984	2	2.71	
	46	38.19	906	1032	2	2.57	
	40	43.43	962	1173	2	2.27	
	35	49.56	962	1339	2	1.99	
	31	55.84	962	1508	2	1.76	
	28	62.40	962	1685	2	1.57	
	25	71.18	962	1923	2	1.39	
	44	40.04	906	1082	3	2.71	MW383GH80F4
40	44.05	962	1190	3	2.45		
34	51.16	962	1382	3	2.12		

(B) - See Footnote page on inside back cover

NOMENCLATURE PAGE MSM-4	DIMENSIONS PAGE MSM-136	THERMAL RATINGS PAGE MSM-242	MOTOR INFORMATION PAGE ENGINEERING-14
----------------------------	----------------------------	---------------------------------	--

MOTORIZED SHAFT MOUNT INTEGRAL GEARMOTORS (MSM) - 1750 RPM 60 Hz

INPUT POWER (HP)	SPEED (RPM)	RATIO	OHL (LBF) (B)	OUTPUT TORQUE (LB-IN)	GEAR STAGE	SERVICE FACTOR (SF)	CATALOG NUMBER
0.75 (CONT.)	32	55.40	962	1496	3	1.95	MW383GH80F4
	28	62.66	962	1692	3	1.73	
	25	68.86	962	1860	3	1.57	
	23	75.95	962	2051	3	1.42	
	21	84.13	962	2272	3	1.29	
	19	93.67	962	2530	3	1.15	
	16	107.49	962	2903	3	1.01	
	220	7.95	1025	215	2	3.28	MW482GH80F4
	183	9.55	1025	258	2	3.28	
	156	11.24	1098	304	2	3.28	
	139	12.59	1098	340	2	3.28	
	124	14.11	1098	381	2	3.28	
	114	15.41	1098	416	2	3.28	
	105	16.63	1098	449	2	3.28	
	90	19.34	1135	522	2	3.28	
	82	21.46	1135	580	2	3.28	
	75	23.37	1135	631	2	3.28	
	67	26.14	1135	706	2	3.28	
	61	28.58	1334	772	2	3.28	
	56	31.36	1334	847	2	3.28	
	51	34.58	1334	934	2	3.28	
	46	38.33	1334	1035	2	3.28	
	40	43.43	1334	1173	2	3.28	
	37	47.92	1334	1294	2	3.16	
	32	54.17	1334	1463	2	2.91	
	28	61.86	1334	1671	2	2.55	
	25	70.33	1334	1900	2	2.24	
	23	75.27	1334	2033	2	2.09	
	20	86.77	1334	2344	2	1.81	
	43	40.99	1334	1107	3	3.28	MW483GH80F4
	37	47.66	1334	1287	3	3.28	
	33	52.88	1334	1428	3	3.19	
	30	57.59	1334	1556	3	3.01	
27	64.41	1334	1740	3	2.75		
25	70.42	1334	1902	3	2.51		
23	77.29	1334	2088	3	2.29		
21	85.22	1334	2302	3	2.08		
19	94.46	1334	2551	3	1.87		
16	107.02	1334	2891	3	1.65		
15	118.08	1334	3189	3	1.50		
13	133.5	1334	3606	3	1.33		

(B) - See Footnote page on inside back cover

NOMENCLATURE PAGE MSM-4	DIMENSIONS PAGE MSM-104	THERMAL RATINGS PAGE MSM-242	MOTOR INFORMATION PAGE ENGINEERING-14
----------------------------	----------------------------	---------------------------------	--

MOTORIZED SHAFT MOUNT INTEGRAL GEARMOTORS (MSM) - 1750 RPM 60 Hz

INPUT POWER (HP)	SPEED (RPM)	RATIO	OHL (LBF) (B)	OUTPUT TORQUE (LB-IN)	GEAR STAGE	SERVICE FACTOR (SF)	CATALOG NUMBER
0.75 (CONT.)	11	152.43	1334	4117	3	1.16	MW483GH80F4
	10	173.31	1334	4681	3	1.02	
	182	9.63	2500	260	2	3.28	MW682GH80F4
	155	11.29	2500	305	2	3.28	
	130	13.45	2500	363	2	3.28	
	120	14.59	2500	394	2	3.28	
	107	16.28	2500	440	2	3.28	
	99	17.64	2500	476	2	3.28	
	88	19.99	2500	540	2	3.28	
	81	21.54	2500	582	2	3.28	
	75	23.29	2500	629	2	3.28	
	65	26.75	2500	723	2	3.28	
	60	29.37	2500	793	2	3.28	
	54	32.34	2500	874	2	3.28	
	50	35.10	2500	948	2	3.28	
	46	38.25	2500	1033	2	3.28	
	42	41.89	2500	1131	2	3.28	
	38	46.14	2500	1246	2	3.28	
	33	53.07	2500	1433	2	3.28	
	30	57.49	2500	1553	2	3.28	
	28	63.54	2500	1716	2	3.28	
	24	74.13	2500	2002	2	3.28	
	21	82.52	2500	2229	2	3.21	
	47	37.41	2500	1010	3	3.28	MW683GH80F4
	39	44.94	2500	1214	3	3.28	
	33	52.91	2500	1429	3	3.28	
	30	59.29	2500	1601	3	3.28	
	26	66.45	2500	1795	3	3.28	
	24	72.54	2500	1959	3	3.28	
	22	79.63	2500	2151	3	3.28	
	20	87.68	2500	2368	3	3.28	
	18	95.16	2500	2570	3	3.28	
	17	103.72	2500	2802	3	3.16	
15	113.59	2500	3068	3	2.88		
14	125.11	2500	3379	3	2.61		
12	143.88	2500	3886	3	2.28		
11	155.87	2500	4210	3	2.11		
10	172.28	2500	4653	3	1.91		
9	200.99	2500	5429	3	1.63		
8	223.74	2500	6043	3	1.46		
30	57.59	3611	1556	3	3.28	MW883GH80F4	

(B) - See Footnote page on inside back cover

NOMENCLATURE PAGE MSM-4	DIMENSIONS PAGE MSM-120	THERMAL RATINGS PAGE MSM-242	MOTOR INFORMATION PAGE ENGINEERING-14
----------------------------	----------------------------	---------------------------------	--

MOTORIZED SHAFT MOUNT INTEGRAL GEARMOTORS (MSM) - 1750 RPM 60 Hz

INPUT POWER (HP)	SPEED (RPM)	RATIO	OHL (LBF) (B)	OUTPUT TORQUE (LB-IN)	GEAR STAGE	SERVICE FACTOR (SF)	CATALOG NUMBER
0.75 (CONT.)	26	67.50	3611	1823	3	3.28	MW883GH80F4
	22	80.45	3611	2173	3	3.28	
	20	87.25	3611	2357	3	3.28	
	18	97.39	3611	2631	3	3.28	
	17	105.48	3611	2849	3	3.28	
	15	119.55	3611	3229	3	3.28	
	14	128.79	3611	3479	3	3.28	
	13	139.26	3611	3762	3	3.28	
	12	151.22	3611	4085	3	3.28	
	10	167.20	3611	4516	3	3.28	
	10	181.13	3611	4892	3	3.28	
	9	204.11	3611	5513	3	3.05	
	8	223.47	3611	6036	3	2.79	
	7	248.92	3611	6724	3	2.51	
	6	284.63	3611	7688	3	2.19	
	6	315.64	3611	8526	3	1.97	
	5	350.03	3611	9455	3	1.77	
	1	21	82.39	5433	2225	3	
19		94.52	5433	2553	3	3.28	
16		111.56	5433	3013	3	3.28	
14		120.93	5433	3266	3	3.28	
13		134.45	5433	3632	3	3.28	
12		146.04	5433	3945	3	3.28	
11		161.54	5433	4363	3	3.28	
10		173.42	5433	4684	3	3.28	
9		186.89	5433	5048	3	3.28	
9		202.29	5433	5464	3	3.28	
8		220.05	5433	5944	3	3.28	
7		240.77	5433	6503	3	3.28	
1	179	9.80	678	353	2	2.46	MW382GH80G4
	154	11.39	704	410	2	2.46	
	138	12.64	704	455	2	2.46	
	127	13.76	704	496	2	2.46	
	114	15.39	704	554	2	2.46	
	104	16.83	704	606	2	2.46	
	95	18.47	706	665	2	2.46	
	86	20.37	706	734	2	2.46	
	78	22.58	706	813	2	2.46	
	68	25.58	706	921	2	2.46	
	62	28.22	906	1016	2	2.37	
	55	31.91	906	1149	2	2.21	

(B) - See Footnote page on inside back cover

NOMENCLATURE PAGE MSM-4	DIMENSIONS PAGE MSM-152	THERMAL RATINGS PAGE MSM-242	MOTOR INFORMATION PAGE ENGINEERING-14
----------------------------	----------------------------	---------------------------------	--

MOTORIZED SHAFT MOUNT INTEGRAL GEARMOTORS (MSM) - 1750 RPM 60 Hz

INPUT POWER (HP)	SPEED (RPM)	RATIO	OHL (LBF) (B)	OUTPUT TORQUE (LB-IN)	GEAR STAGE	SERVICE FACTOR (SF)	CATALOG NUMBER
1 (CONT.)	48	36.43	906	1312	2	2.03	MW382GH80G4
	46	38.19	906	1375	2	1.93	
	40	43.43	962	1564	2	1.70	
	35	49.56	962	1785	2	1.49	
	31	55.84	962	2011	2	1.32	
	28	62.40	962	2247	2	1.18	
	25	71.18	962	2563	2	1.04	
	44	40.04	906	1442	3	2.03	MW383GH80G4
	40	44.05	962	1586	3	1.84	
	34	51.16	962	1842	3	1.59	
	32	55.40	962	1995	3	1.46	
	28	62.66	962	2257	3	1.29	
	25	68.86	962	2480	3	1.18	
	23	75.95	962	2735	3	1.07	
	220	7.95	1025	286	2	2.46	MW482GH80G4
	183	9.55	1025	344	2	2.46	
	156	11.24	1098	405	2	2.46	
	139	12.59	1098	453	2	2.46	
	124	14.11	1098	508	2	2.46	
	114	15.41	1098	555	2	2.46	
	105	16.63	1098	599	2	2.46	
	90	19.34	1135	697	2	2.46	
	82	21.46	1135	773	2	2.46	
	75	23.37	1135	842	2	2.46	
	67	26.14	1135	941	2	2.46	
	61	28.58	1134	1029	2	2.46	
	56	31.36	1134	1129	2	2.46	
	51	34.58	1334	1245	2	2.46	
	46	38.33	1334	1380	2	2.46	
	40	43.43	1334	1564	2	2.46	
	37	47.92	1334	1726	2	2.37	
	32	54.17	1334	1951	2	2.18	
	28	61.86	1334	2228	2	1.91	
25	70.33	1334	2533	2	1.68		
23	75.27	1334	2711	2	1.57		
20	86.77	1334	3125	2	1.36		
43	40.99	1334	1476	3	2.46	MW483GH80G4	
37	47.66	1334	1716	3	2.46		
33	52.88	1334	1904	3	2.39		
30	57.59	1334	2074	3	2.26		

(B) - See Footnote page on inside back cover

NOMENCLATURE PAGE MSM-4	DIMENSIONS PAGE MSM-104	THERMAL RATINGS PAGE MSM-242	MOTOR INFORMATION PAGE ENGINEERING-14
----------------------------	----------------------------	---------------------------------	--

MOTORIZED SHAFT MOUNT INTEGRAL GEARMOTORS (MSM) - 1750 RPM 60 Hz

INPUT POWER (HP)	SPEED (RPM)	RATIO	OHL (LBF) (B)	OUTPUT TORQUE (LB-IN)	GEAR STAGE	SERVICE FACTOR (SF)	CATALOG NUMBER
1 (CONT.)	27	64.41	1334	2320	3	2.06	MW483GH80G4
	25	70.42	1334	2536	3	1.88	
	23	77.29	1334	2784	3	1.72	
	21	85.22	1334	3069	3	1.56	
	19	94.46	1334	3402	3	1.40	
	16	107.02	1334	3854	3	1.24	
	15	118.08	1334	4253	3	1.12	
	182	9.63	2500	347	2	2.46	MW682GH80G4
	155	11.29	2500	407	2	2.45	
	130	13.45	2500	484	2	2.46	
	120	14.59	2500	525	2	2.46	
	107	16.28	2500	586	2	2.46	
	99	17.64	2500	635	2	2.46	
	88	19.99	2500	720	2	2.46	
	81	21.54	2500	776	2	2.46	
	75	23.29	2500	839	2	2.46	
	65	26.75	2500	963	2	2.46	
	60	29.37	2500	1058	2	2.46	
	54	32.34	2500	1165	2	2.46	
	50	35.10	2500	1264	2	2.46	
	46	38.25	2500	1378	2	2.46	
	42	41.89	2500	1509	2	2.46	
	38	46.14	2500	1662	2	2.46	
	33	53.07	2500	1911	2	2.46	
	30	57.49	2500	2070	2	2.46	
	28	63.54	2500	2288	2	2.46	
	24	74.13	2500	2670	2	2.46	
	21	82.52	2500	2972	2	2.41	
	47	37.41	2500	1347	3	2.46	MW683GH80G4
	39	44.94	2500	1618	3	2.46	
	33	52.91	2500	1906	3	2.46	
	30	59.29	2500	2135	3	2.46	
	26	66.45	2500	2393	3	2.46	
	24	72.54	2500	2612	3	2.46	
	22	79.63	2500	2868	3	2.46	
	20	87.68	2500	3158	3	2.46	
18	95.16	2500	3427	3	2.46		
17	103.72	2500	3735	3	2.37		
15	113.59	2500	4091	3	2.16		
14	125.11	2500	4506	3	1.96		
12	143.88	2500	5182	3	1.71		

(B) - See Footnote page on inside back cover

NOMENCLATURE PAGE MSM-4	DIMENSIONS PAGE MSM-120	THERMAL RATINGS PAGE MSM-242	MOTOR INFORMATION PAGE ENGINEERING-14
----------------------------	----------------------------	---------------------------------	--

MOTORIZED SHAFT MOUNT INTEGRAL GEARMOTORS (MSM) - 1750 RPM 60 Hz

INPUT POWER (HP)	SPEED (RPM)	RATIO	OHL (LBF) (B)	OUTPUT TORQUE (LB-IN)	GEAR STAGE	SERVICE FACTOR (SF)	CATALOG NUMBER
1 (CONT.)	11	155.87	2500	5614	3	1.58	MW683GH80G4
	10	172.28	2500	6205	3	1.43	
	9	200.99	2500	7239	3	1.22	
	8	223.74	2500	8058	3	1.10	
	30	57.59	3611	2074	3	2.46	MW883GH80G4
	26	67.50	3611	2431	3	2.46	
	22	80.45	3611	2897	3	2.46	
	20	87.25	3611	3142	3	2.46	
	18	97.39	3611	3507	3	2.46	
	17	105.48	3611	3799	3	2.46	
	15	119.55	3611	4306	3	2.46	
	14	128.79	3611	4638	3	2.46	
	13	139.26	3611	5015	3	2.46	
	12	151.22	3611	5446	3	2.46	
	10	167.20	3611	6022	3	2.46	
	10	181.13	3611	6523	3	2.46	
	9	204.11	3611	7351	3	2.29	
	8	223.47	3611	8048	3	2.09	
	7	248.92	3611	8965	3	1.88	
	6	284.63	3611	10251	3	1.64	
	6	315.64	3611	11368	3	1.48	
	5	350.03	3611	12606	3	1.33	
	21	82.39	5433	2967	3	2.46	MW1083GH80G4
	19	94.52	5433	3404	3	2.46	
	16	111.56	5433	4018	3	2.46	
	14	120.93	5433	4355	3	2.46	
	13	134.45	5433	4842	3	2.46	
	12	146.04	5433	5260	3	2.46	
11	161.54	5433	5818	3	2.46		
10	173.42	5433	6246	3	2.46		
9	186.89	5433	6731	3	2.46		
9	202.29	5433	7285	3	2.46		
8	220.05	5433	7925	3	2.46		
7	240.77	5433	8671	3	2.46		
1.5	179	9.80	678	529	2	3.34	MW382GH90H4
	154	11.39	704	615	2	3.34	
	138	12.64	704	683	2	3.33	
	127	13.76	704	743	2	3.33	
	114	15.39	704	831	2	3.17	
	104	16.83	704	909	2	3.04	
	95	18.47	706	998	2	2.91	

(B) - See Footnote page on inside back cover

NOMENCLATURE PAGE MSM-4	DIMENSIONS PAGE MSM-136	THERMAL RATINGS PAGE MSM-242	MOTOR INFORMATION PAGE ENGINEERING-14
----------------------------	----------------------------	---------------------------------	--

MOTORIZED SHAFT MOUNT INTEGRAL GEARMOTORS (MSM) - 1750 RPM 60 Hz

INPUT POWER (HP)	SPEED (RPM)	RATIO	OHL (LBF) (B)	OUTPUT TORQUE (LB-IN)	GEAR STAGE	SERVICE FACTOR (SF)	CATALOG NUMBER
1.5 (CONT.)	86	20.37	706	1100	2	2.66	MW382GH90H4
	78	22.58	706	1220	2	2.39	
	68	25.58	706	1382	2	2.11	
	62	28.22	906	1524	2	1.92	
	55	31.91	906	1724	2	1.69	
	48	36.43	906	1968	2	1.48	
	46	38.19	906	2063	2	1.29	
	40	43.43	962	2346	2	1.13	
	44	40.04	906	2163	3	1.35	MW383GH90H4
	40	44.05	962	2380	3	1.23	
	34	51.16	962	2764	3	1.06	
	220	7.95	1025	429	2	3.34	MW482GH90H4
	183	9.55	1025	516	2	3.33	
	156	11.24	1098	607	2	3.34	
	139	12.59	1098	680	2	3.34	
	124	14.11	1098	762	2	3.34	
	114	15.41	1098	832	2	3.34	
	105	16.63	1098	898	2	3.34	
	90	19.34	1135	1045	2	3.33	
	82	21.46	1135	1159	2	3.34	
	75	23.37	1135	1262	2	3.33	
	67	26.14	1135	1412	2	3.01	
	61	28.58	1334	1544	2	2.75	
	56	31.36	1334	1694	2	2.51	
	51	34.58	1334	1868	2	2.27	
	46	38.33	1334	2071	2	2.05	
	40	43.43	1334	2346	2	1.81	
	37	47.92	1334	2589	2	1.64	
	32	54.17	1334	2926	2	1.45	
	28	61.86	1334	3342	2	1.27	
	25	70.33	1334	3799	2	1.12	
	23	75.27	1334	4066	2	1.04	
	43	40.99	1334	2214	3	1.89	MW483GH90H4
37	47.66	1334	2575	3	1.71		
33	52.88	1334	2857	3	1.59		
30	57.59	1334	3111	3	1.51		
27	64.41	1334	3480	3	1.37		
25	70.42	1334	3804	3	1.26		
23	77.29	1334	4175	3	1.14		
21	85.22	1334	4604	3	1.04		
182	9.63	2500	520	2	3.34	MW682GH90H4	

(B) - See Footnote page on inside back cover

NOMENCLATURE PAGE MSM-4	DIMENSIONS PAGE MSM-104	THERMAL RATINGS PAGE MSM-242	MOTOR INFORMATION PAGE ENGINEERING-14
----------------------------	----------------------------	---------------------------------	--

MOTORIZED SHAFT MOUNT INTEGRAL GEARMOTORS (MSM) - 1750 RPM 60 Hz

INPUT POWER (HP)	SPEED (RPM)	RATIO	OHL (LBF) (B)	OUTPUT TORQUE (LB-IN)	GEAR STAGE	SERVICE FACTOR (SF)	CATALOG NUMBER
1.5 (CONT.)	155	11.29	2500	610	2	3.33	MW682GH90H4
	130	13.45	2500	727	2	3.33	
	120	14.59	2500	788	2	3.34	
	107	16.28	2500	879	2	3.34	
	99	17.64	2500	953	2	3.33	
	88	19.99	2500	1080	2	3.29	
	81	21.54	2500	1164	2	3.17	
	75	23.29	2500	1258	2	3.04	
	65	26.75	2500	1445	2	3.34	
	60	29.37	2500	1587	2	3.33	
	54	32.34	2500	1747	2	3.34	
	50	35.10	2500	1896	2	3.34	
	46	38.25	2500	2066	2	3.30	
	42	41.89	2500	2263	2	3.16	
	38	46.14	2500	2493	2	3.02	
	33	53.07	2500	2867	2	2.62	
	30	57.49	2500	3106	2	2.42	
	28	63.54	2500	3433	2	2.19	
	24	74.13	2500	4005	2	1.88	
	21	82.52	2500	4458	2	1.69	
	47	37.41	2500	2021	3	3.34	
	39	44.94	2500	2428	3	3.34	
	33	52.91	2500	2858	3	3.10	
	30	59.29	2500	3203	3	2.76	
	26	66.45	2500	3590	3	2.47	
	24	72.54	2500	3919	3	2.26	
	22	79.63	2500	4302	3	2.06	
	20	87.68	2500	4737	3	1.87	
	18	95.16	2500	5141	3	1.72	
	17	103.72	2500	5603	3	1.58	
	15	113.59	2500	6136	3	1.44	
	14	125.11	2500	6759	3	1.31	
	12	143.88	2500	7773	3	1.14	
11	155.87	2500	8420	3	1.05		
118	14.86	3611	803	2	3.33	MW882GH90H4	
103	17.05	3611	921	2	3.34		
87	20.12	3611	1087	2	3.34		
80	21.81	3611	1178	2	3.34		
72	24.25	3611	1310	2	3.34		
66	26.34	3611	1423	2	3.34		
60	29.14	3611	1574	2	3.34		

(B) - See Footnote page on inside back cover

NOMENCLATURE PAGE MSM-4	DIMENSIONS PAGE MSM-136	THERMAL RATINGS PAGE MSM-242	MOTOR INFORMATION PAGE ENGINEERING-14
----------------------------	----------------------------	---------------------------------	--

MOTORIZED SHAFT MOUNT INTEGRAL GEARMOTORS (MSM) - 1750 RPM 60 Hz

INPUT POWER (HP)	SPEED (RPM)	RATIO	OHL (LBF) (B)	OUTPUT TORQUE (LB-IN)	GEAR STAGE	SERVICE FACTOR (SF)	CATALOG NUMBER
1.5 (CONT.)	57	30.67	3611	1657	2	3.34	MW882GH90H4
	51	34.23	3611	1849	2	3.34	
	47	37.08	3611	2003	2	3.34	
	42	42.03	3611	2271	2	3.33	
	39	45.27	3611	2446	2	3.34	
	36	48.95	3611	2644	2	3.34	
	33	53.16	3611	2872	2	3.34	
	30	58.78	3611	3175	2	3.33	
	27	63.67	3611	3440	2	3.13	
	24	71.75	3611	3876	2	2.86	
	22	78.56	3611	4244	2	2.65	
	20	87.5	3611	4727	2	2.42	
	17	100.06	3611	5405	2	2.15	
	16	110.96	3611	5994	2	1.96	
	14	123.05	3611	6647	2	1.79	
	30	57.59	3611	3111	3	3.34	MW883GH90H4
	26	67.50	3611	3646	3	3.34	
	22	80.45	3611	4346	3	3.34	
	20	87.25	3611	4713	3	3.34	
	18	97.39	3611	5261	3	3.2	
	17	105.48	3611	5698	3	2.95	
	15	119.55	3611	6458	3	2.60	
	14	128.79	3611	6957	3	2.42	
	13	139.26	3611	7523	3	2.24	
12	151.22	3611	8169	3	2.06		
10	167.2	3611	9032	3	1.86		
10	181.13	3611	9785	3	1.72		
9	204.11	3611	11026	3	1.53		
8	223.47	3611	12072	3	1.39		
7	248.92	3611	13447	3	1.25		
6	284.63	3611	15376	3	1.09		
70	24.89	5433	1345	2	3.33	MW1082GH90H4	
61	28.56	5433	1543	2	3.33		
52	33.71	5433	1821	2	3.34		
48	36.54	5433	1974	2	3.33		
43	40.62	5433	2194	2	3.34		
40	44.12	5433	2383	2	3.34		
36	48.81	5433	2637	2	3.33		
33	52.4	5433	2831	2	3.33		
31	56.47	5433	3051	2	3.33		
29	61.12	5433	3302	2	3.34		

(B) - See Footnote page on inside back cover

NOMENCLATURE PAGE MSM-4	DIMENSIONS PAGE MSM-152	THERMAL RATINGS PAGE MSM-242	MOTOR INFORMATION PAGE ENGINEERING-14
----------------------------	----------------------------	---------------------------------	--

MOTORIZED SHAFT MOUNT INTEGRAL GEARMOTORS (MSM) - 1750 RPM 60 Hz

INPUT POWER (HP)	SPEED (RPM)	RATIO	OHL (LBF) (B)	OUTPUT TORQUE (LB-IN)	GEAR STAGE	SERVICE FACTOR (SF)	CATALOG NUMBER	
1.5 (CONT.)	26	66.48	5433	3591	2	3.22	MW1082GH90H4	
	24	72.74	5433	3930	2	3.09		
	21	82.39	5433	4451	3	3.34	MW1083GH90H4	
	19	94.52	5433	5106	3	3.34		
	16	111.56	5433	6027	3	3.34		
	14	120.93	5433	6533	3	3.34		
	13	134.45	5433	7263	3	3.34		
	12	146.04	5433	7889	3	3.34		
	11	161.54	5433	8727	3	3.34		
	10	173.42	5433	9368	3	3.21		
	9	186.89	5433	10096	3	2.98		
	9	202.29	5433	10928	3	2.75		
	8	220.05	5433	11887	3	2.53		
	7	240.77	5433	13007	3	2.31		
	19	90.32	6777	4879	3	3.34	MW1283GH90H4	
	17	102.35	6777	5529	3	3.34		
	15	120.11	6777	6489	3	3.34		
	13	131.03	6777	7078	3	3.34		
	12	142.93	6777	7721	3	3.34		
	11	154.25	6777	8333	3	3.34		
10	172.39	6777	9313	3	3.34			
9	184.67	6777	9976	3	3.34			
9	198.58	6777	10728	3	3.21			
8	214.48	6777	11587	3	3.07			
2	179	9.8	678	706	2	2.50	MW382GH90I4	
	154	11.39	704	820	2	2.50		
	138	12.64	704	910	2	2.50		
	127	13.76	704	991	2	2.50		
	114	15.39	704	1109	2	2.38		
	104	16.83	704	1212	2	2.28		
	95	18.47	706	1330	2	2.18		
	86	20.37	706	1467	2	1.99		
	78	22.58	706	1626	2	1.80		
	68	25.58	706	1842	2	1.59		
	62	28.22	906	2033	2	1.44		
	55	31.91	906	2298	2	1.27		
	48	36.43	906	2624	2	1.11		
	44	40.04	906	2884	3	1.01		MW383GH90I4
	220	7.95	1025	573	2	2.50		MW482GH90I4
	183	9.55	1025	688	2	2.50		

(B) - See Footnote page on inside back cover

NOMENCLATURE PAGE MSM-4	DIMENSIONS PAGE MSM-168	THERMAL RATINGS PAGE MSM-242	MOTOR INFORMATION PAGE ENGINEERING-14
----------------------------	----------------------------	---------------------------------	--

MOTORIZED SHAFT MOUNT INTEGRAL GEARMOTORS (MSM) - 1750 RPM 60 Hz

INPUT POWER (HP)	SPEED (RPM)	RATIO	OHL (LBF) (B)	OUTPUT TORQUE (LB-IN)	GEAR STAGE	SERVICE FACTOR (SF)	CATALOG NUMBER
2 (CONT.)	156	11.24	1098	810	2	2.50	MW482GH90I4
	139	12.59	1098	907	2	2.50	
	124	14.11	1098	1016	2	2.50	
	114	15.41	1098	1110	2	2.50	
	105	16.63	1098	1198	2	2.50	
	90	19.34	1135	1393	2	2.50	
	82	21.46	1135	1546	2	2.50	
	75	23.37	1135	1683	2	2.50	
	67	26.14	1135	1883	2	2.26	
	61	28.58	1334	2059	2	2.06	
	56	31.36	1334	2259	2	1.88	
	51	34.58	1334	2491	2	1.71	
	46	38.33	1334	2761	2	1.54	
	40	43.43	1334	3128	2	1.36	
	37	47.92	1334	3452	2	1.23	
	32	54.17	1334	3902	2	1.09	
	43	40.99	1334	2952	3	1.42	MW483GH90I4
	37	47.66	1334	3433	3	1.28	
	33	52.88	1334	3809	3	1.20	
	30	57.59	1334	4148	3	1.13	
	27	64.41	1334	4639	3	1.03	
	182	9.63	2500	694	2	2.50	MW682GH90I4
	155	11.29	2500	813	2	2.50	
	130	13.45	2500	969	2	2.50	
	120	14.59	2500	1051	2	2.50	
	107	16.28	2500	1173	2	2.50	
	99	17.64	2500	1271	2	2.50	
	88	19.99	2500	1440	2	2.47	
	81	21.54	2500	1551	2	2.38	
	75	23.29	2500	1678	2	2.28	
	65	26.75	2500	1927	2	2.50	
	60	29.37	2500	2115	2	2.50	
54	32.34	2500	2329	2	2.50		
50	35.10	2500	2528	2	2.50		
46	38.25	2500	2755	2	2.47		
42	41.89	2500	3017	2	2.37		
38	46.14	2500	3323	2	2.26		
33	53.07	2500	3823	2	1.97		
30	57.49	2500	4141	2	1.82		
28	63.54	2500	4577	2	1.64		
24	74.13	2500	5339	2	1.41		

(B) - See Footnote page on inside back cover

NOMENCLATURE PAGE MSM-4	DIMENSIONS PAGE MSM-120	THERMAL RATINGS PAGE MSM-242	MOTOR INFORMATION PAGE ENGINEERING-14
----------------------------	----------------------------	---------------------------------	--

MOTORIZED SHAFT MOUNT INTEGRAL GEARMOTORS (MSM) - 1750 RPM 60 Hz

INPUT POWER (HP)	SPEED (RPM)	RATIO	OHL (LBF) (B)	OUTPUT TORQUE (LB-IN)	GEAR STAGE	SERVICE FACTOR (SF)	CATALOG NUMBER
2 (CONT.)	21	82.52	2500	5944	2	1.27	MW682GH9014
	47	37.41	2500	2695	3	2.50	MW683GH9014
	39	44.94	2500	3237	3	2.50	
	33	52.91	2500	3811	3	2.32	
	30	59.29	2500	4271	3	2.07	
	26	66.45	2500	4786	3	1.85	
	24	72.54	2500	5225	3	1.69	
	22	79.63	2500	5736	3	1.54	
	20	87.68	2500	6315	3	1.40	
	18	95.16	2500	6854	3	1.29	
	17	103.72	2500	7471	3	1.18	
	15	113.59	2500	8182	3	1.08	
	118	14.86	3611	1070	2	2.50	MW882GH9014
	103	17.05	3611	1228	2	2.50	
	87	20.12	3611	1449	2	2.50	
	80	21.81	3611	1571	2	2.50	
	72	24.25	3611	1747	2	2.50	
	66	26.34	3611	1897	2	2.50	
	60	29.14	3611	2099	2	2.50	
	57	30.67	3611	2209	2	2.50	
	51	34.23	3611	2466	2	2.50	
	47	37.08	3611	2671	2	2.50	
	42	42.03	3611	3027	2	2.50	
	39	45.27	3611	3261	2	2.50	
	36	48.95	3611	3526	2	2.50	
	33	53.16	3611	3829	2	2.50	
	30	58.78	3611	4234	2	2.50	
	27	63.67	3611	4586	2	2.35	
	24	71.75	3611	5168	2	2.15	
	22	78.56	3611	5659	2	1.99	
	20	87.50	3611	6303	2	1.81	
	17	100.06	3611	7207	2	1.61	
	16	110.96	3611	7992	2	1.47	
	14	123.05	3611	8863	2	1.34	
	30	57.59	3611	4148	3	2.50	
	26	67.50	3611	4862	3	2.50	
	22	80.45	3611	5795	3	2.50	
	20	87.25	3611	6284	3	2.50	
	18	97.39	3611	7015	3	2.40	
	17	105.48	3611	7598	3	2.21	
	15	119.55	3611	8611	3	1.95	

(B) - See Footnote page on inside back cover

NOMENCLATURE PAGE MSM-4	DIMENSIONS PAGE MSM-136	THERMAL RATINGS PAGE MSM-242	MOTOR INFORMATION PAGE ENGINEERING-14
----------------------------	----------------------------	---------------------------------	--

MOTORIZED SHAFT MOUNT INTEGRAL GEARMOTORS (MSM) - 1750 RPM 60 Hz

INPUT POWER (HP)	SPEED (RPM)	RATIO	OHL (LBF) (B)	OUTPUT TORQUE (LB-IN)	GEAR STAGE	SERVICE FACTOR (SF)	CATALOG NUMBER
2 (CONT.)	14	128.79	3611	9277	3	1.81	MW883GH9014
	13	139.26	3611	10031	3	1.68	
	12	151.22	3611	10892	3	1.54	
	10	167.20	3611	12043	3	1.40	
	10	181.13	3611	13047	3	1.29	
	9	204.11	3611	14702	3	1.14	
	8	223.47	3611	16096	3	1.04	
	70	24.89	5433	1793	2	2.50	MW1082GH9014
	61	28.56	5433	2057	2	2.50	
	52	33.71	5433	2428	2	2.50	
	48	36.54	5433	2632	2	2.50	
	43	40.62	5433	2926	2	2.50	
	40	44.12	5433	3178	2	2.50	
	36	48.81	5433	3516	2	2.50	
	33	52.4	5433	3774	2	2.50	
	31	56.47	5433	4067	2	2.50	
	29	61.12	5433	4402	2	2.50	
	26	66.48	5433	4788	2	2.42	
	24	72.74	5433	5239	2	2.31	
	21	82.39	5433	5934	3	2.50	MW1083GH9014
	19	94.52	5433	6808	3	2.50	
	16	111.56	5433	8036	3	2.50	
	14	120.93	5433	8710	3	2.50	
	13	134.45	5433	9684	3	2.50	
	12	146.04	5433	10519	3	2.50	
	11	161.54	5433	11635	3	2.50	
	10	173.42	5433	12491	3	2.41	
	9	186.89	5433	13461	3	2.24	
9	202.29	5433	14571	3	2.07		
8	220.05	5433	15850	3	1.90		
7	240.77	5433	17342	3	1.74		
19	90.32	6777	6506	3	2.50	MW1283GH9014	
17	102.35	6777	7372	3	2.50		
15	120.11	6777	8651	3	2.50		
13	131.03	6777	9438	3	2.50		
12	142.93	6777	10295	3	2.50		
11	154.25	6777	11110	3	2.50		
10	172.39	6777	12417	3	2.50		
9	184.67	6777	13302	3	2.50		
9	198.58	6777	14303	3	2.41		
8	214.48	6777	15449	3	2.30		

(B) - See Footnote page on inside back cover

NOMENCLATURE PAGE MSM-4	DIMENSIONS PAGE MSM-152	THERMAL RATINGS PAGE MSM-242	MOTOR INFORMATION PAGE ENGINEERING-14
----------------------------	----------------------------	---------------------------------	--

MOTORIZED SHAFT MOUNT INTEGRAL GEARMOTORS (MSM) - 1750 RPM 60 Hz

INPUT POWER (HP)	SPEED (RPM)	RATIO	OHL (LBF) (B)	OUTPUT TORQUE (LB-IN)	GEAR STAGE	SERVICE FACTOR (SF)	CATALOG NUMBER
3	179	9.80	678	1059	2	2.48	MW382GH100J4
	154	11.39	704	1231	2	2.30	
	138	12.64	704	1366	2	2.14	
	127	13.76	704	1487	2	1.96	
	114	15.39	704	1663	2	1.76	
	104	16.83	704	1818	2	1.61	
	95	18.47	706	1996	2	1.46	
	86	20.37	706	2201	2	1.33	
	78	22.58	706	2440	2	1.20	
	68	25.58	706	2764	2	1.06	
	220	7.95	1025	859	2	2.57	MW482GH100J4
	183	9.55	1025	1032	2	2.36	
	156	11.24	1098	1214	2	2.18	
	139	12.59	1098	1360	2	2.05	
	124	14.11	1098	1524	2	1.93	
	114	15.41	1098	1665	2	1.84	
	105	16.63	1098	1797	2	2.16	
	90	19.34	1135	2090	2	1.99	
	82	21.46	1135	2319	2	1.83	
	75	23.37	1135	2525	2	1.68	
	67	26.14	1135	2824	2	1.50	
	61	28.58	1334	3088	2	1.38	
	56	31.36	1334	3388	2	1.25	
	51	34.58	1334	3736	2	1.14	
	46	38.33	1334	4141	2	1.03	
	263	6.65	2500	718	2	3.46	MW682GH100J4
	218	8.02	2500	867	2	3.45	
	182	9.63	2500	1040	2	3.45	
	155	11.29	2500	1220	2	3.45	
	130	13.45	2500	1453	2	3.45	
	120	14.59	2500	1576	2	3.45	
	107	16.28	2500	1759	2	3.32	
	99	17.64	2500	1906	2	3.19	
	88	19.99	2500	2160	2	2.99	
	81	21.54	2500	2327	2	2.88	
	75	23.29	2500	2516	2	2.76	
65	26.75	2500	2890	2	2.60		
60	29.37	2500	3173	2	2.37		
54	32.34	2500	3494	2	2.15		
50	35.10	2500	3792	2	1.98		

(B) - See Footnote page on inside back cover

NOMENCLATURE PAGE MSM-4	DIMENSIONS PAGE MSM-104	THERMAL RATINGS PAGE MSM-242	MOTOR INFORMATION PAGE ENGINEERING-14
----------------------------	----------------------------	---------------------------------	--

**MOTORIZED SHAFT MOUNT INTEGRAL GEARMOTORS (MSM) - 1750 RPM
60 Hz**

INPUT POWER (HP)	SPEED (RPM)	RATIO	OHL (LBF) (B)	OUTPUT TORQUE (LB-IN)	GEAR STAGE	SERVICE FACTOR (SF)	CATALOG NUMBER
3 (CONT.)	46	38.25	2500	4133	2	1.82	MW682GH100J4
	42	41.89	2500	4526	2	1.66	
	38	46.14	2500	4985	2	1.51	
	33	53.07	2500	5734	2	1.31	
	30	57.49	2500	6211	2	1.21	
	28	63.54	2500	6865	2	1.10	
	47	37.41	2500	4042	3	2.19	MW683GH100J4
	39	44.94	2500	4855	3	1.82	
	33	52.91	2500	5717	3	1.55	
	30	59.29	2500	6406	3	1.38	
	26	66.45	2500	7179	3	1.23	
	24	72.54	2500	7837	3	1.13	
	22	79.63	2500	8603	3	1.03	
	162	10.79	3611	1166	2	3.45	MW882GH100J4
	138	12.64	3611	1366	2	3.45	
	118	14.86	3611	1606	2	3.45	
	103	17.05	3611	1842	2	3.45	
	87	20.12	3611	2174	2	3.45	
	80	21.81	3611	2356	2	3.45	
	72	24.25	3611	2620	2	3.45	
	66	26.34	3611	2846	2	3.45	
	60	29.14	3611	3148	2	3.38	
	57	30.67	3611	3314	2	3.45	
	51	34.23	3611	3698	2	3.45	
	47	37.08	3611	4006	2	3.45	
	42	42.03	3611	4541	2	3.24	
	39	45.27	3611	4891	2	3.06	
	36	48.95	3611	5289	2	2.84	
	33	53.16	3611	5744	2	2.62	
	30	58.78	3611	6351	2	2.37	
27	63.67	3611	6879	2	2.19		
24	71.75	3611	7752	2	1.94		
22	78.56	3611	8488	2	1.77		
20	87.50	3611	9454	2	1.59		
44	39.78	3611	4298	3	3.45	MW883GH100J4	
36	47.99	3611	5185	3	3.24		
30	57.59	3611	6222	3	2.70		
26	67.50	3611	7293	3	2.31		
22	80.45	3611	8692	3	1.93		
20	87.25	3611	9427	3	1.78		

(B) - See Footnote page on inside back cover

NOMENCLATURE PAGE MSM-4	DIMENSIONS PAGE MSM-136	THERMAL RATINGS PAGE MSM-242	MOTOR INFORMATION PAGE ENGINEERING-14
----------------------------	----------------------------	---------------------------------	--

MOTORIZED SHAFT MOUNT INTEGRAL GEARMOTORS (MSM) - 1750 RPM 60 Hz

INPUT POWER (HP)	SPEED (RPM)	RATIO	OHL (LBF) (B)	OUTPUT TORQUE (LB-IN)	GEAR STAGE	SERVICE FACTOR (SF)	CATALOG NUMBER
3 (CONT.)	18	97.39	3611	10522	3	1.60	MW883GH100J4
	17	105.48	3611	11396	3	1.48	
	15	119.55	3611	12917	3	1.30	
	14	128.79	3611	13915	3	1.21	
	13	139.26	3611	15046	3	1.12	
	12	151.22	3611	16338	3	1.03	
	120	14.59	5433	1576	2	3.45	MW1082GH100J4
	104	16.83	5433	1818	2	3.45	
	88	19.78	5433	2137	2	3.45	
	83	21.18	5433	2288	2	3.45	
	70	24.89	5433	2689	2	3.45	
	61	28.56	5433	3086	2	3.45	
	52	33.71	5433	3642	2	3.45	
	48	36.54	5433	3948	2	3.45	
	43	40.62	5433	4389	2	3.45	
	40	44.12	5433	4767	2	3.44	
	36	48.81	5433	5274	2	3.26	
	33	52.40	5433	5661	2	3.12	
	31	56.47	5433	6101	2	2.96	
	29	61.12	5433	6604	2	2.82	
	26	66.48	5433	7183	2	2.63	
	24	72.74	5433	7859	2	2.43	
	29	59.81	5433	6462	3	3.45	MW1083GH100J4
	25	70.08	5433	7572	3	3.45	
	21	82.39	5433	8902	3	3.38	
	19	94.52	5433	10212	3	2.95	
	16	111.56	5433	12053	3	2.50	
	14	120.93	5433	13066	3	2.30	
	13	134.45	5433	14526	3	2.07	
	12	146.04	5433	15779	3	1.91	
	11	161.54	5433	17453	3	1.72	
	10	173.42	5433	18737	3	1.61	
	9	186.89	5433	20192	3	1.49	
9	202.29	5433	21856	3	1.38		
8	220.05	5433	23775	3	1.27		
7	240.77	5433	26013	3	1.16		
78	22.39	6777	2419	2	3.45	MW1282GH100J4	
71	24.77	6777	2676	2	3.45		
73	23.96	6777	2589	2	3.45		
63	27.66	6777	2988	2	3.45		

(B) - See Footnote page on inside back cover

NOMENCLATURE PAGE MSM-4	DIMENSIONS PAGE MSM-152	THERMAL RATINGS PAGE MSM-242	MOTOR INFORMATION PAGE ENGINEERING-14
----------------------------	----------------------------	---------------------------------	--

MOTORIZED SHAFT MOUNT INTEGRAL GEARMOTORS (MSM) - 1750 RPM 60 Hz

INPUT POWER (HP)	SPEED (RPM)	RATIO	OHL (LBF) (B)	OUTPUT TORQUE (LB-IN)	GEAR STAGE	SERVICE FACTOR (SF)	CATALOG NUMBER
3 (CONT.)	54	32.50	6777	3511	2	3.45	MW1282GH100J4
	48	36.83	6777	3979	2	3.45	
	40	43.21	6777	4669	2	3.45	
	37	47.14	6777	5093	2	3.45	
	34	51.43	6777	5557	2	3.45	
	32	55.50	6777	5996	2	3.45	
	28	62.03	6777	6702	2	3.27	
	26	66.44	6777	7178	2	3.09	
	24	71.45	6777	7720	2	2.91	
	23	77.17	6777	8338	2	2.73	
	26	66.61	6777	7197	3	3.45	MW1283GH100J4
	23	76.87	6777	8305	3	3.45	
	19	90.32	6777	9758	3	3.45	
	17	102.35	6777	11058	3	3.45	
	15	120.11	6777	12977	3	3.45	
	13	131.03	6777	14157	3	3.45	
	12	142.93	6777	15443	3	3.45	
	11	154.25	6777	16666	3	3.24	
	10	172.39	6777	18626	3	2.90	
	9	184.67	6777	19952	3	2.71	
	9	198.58	6777	21455	3	2.52	
	8	214.48	6777	23173	3	2.33	
	18	95.74	11478	10344	3	3.45	MW1483GH100J4
	17	105.94	11478	11446	3	3.45	
	14	123.98	11478	13395	3	3.45	
	13	134.28	11478	14508	3	3.45	
	12	149.86	11478	16191	3	3.45	
11	158.88	11478	17166	3	3.34		
10	180.11	11478	19460	3	3.01		
9	192.71	11478	20821	3	2.85		
9	202.69	11478	21899	3	2.73		
8	218.71	11478	23630	3	2.55		
5	220	7.95	1025	1432	2	1.54	MW482GH112L4
	183	9.55	1025	1720	2	1.41	
	156	11.24	1098	2024	2	1.31	
	139	12.59	1098	2267	2	1.23	
	124	14.11	1098	2541	2	1.16	
	114	15.41	1098	2775	2	1.11	
	105	16.63	1098	2995	2	1.30	
	90	19.34	1135	3483	2	1.20	
82	21.46	1135	3864	2	1.10		

(B) - See Footnote page on inside back cover

NOMENCLATURE PAGE MSM-4	DIMENSIONS PAGE MSM-184	THERMAL RATINGS PAGE MSM-242	MOTOR INFORMATION PAGE ENGINEERING-14
----------------------------	----------------------------	---------------------------------	--

MOTORIZED SHAFT MOUNT INTEGRAL GEARMOTORS (MSM) - 1750 RPM 60 Hz

INPUT POWER (HP)	SPEED (RPM)	RATIO	OHL (LBF) (B)	OUTPUT TORQUE (LB-IN)	GEAR STAGE	SERVICE FACTOR (SF)	CATALOG NUMBER
5 (CONT.)	75	23.37	1135	4208	2	1.01	MW482GH112L4
	263	6.65	2500	1197	2	2.78	MW682GH112L4
	218	8.02	2500	1444	2	2.78	
	182	9.63	2500	1734	2	2.77	
	155	11.29	2500	2033	2	2.77	
	130	13.45	2500	2422	2	2.75	
	120	14.59	2500	2627	2	2.65	
	107	16.28	2500	2932	2	2.51	
	99	17.64	2500	3176	2	2.42	
	88	19.99	2500	3600	2	2.27	
	81	21.54	2500	3879	2	2.19	
	75	23.29	2500	4194	2	2.11	
	65	26.75	2500	4817	2	1.56	
	60	29.37	2500	5289	2	1.42	
	54	32.34	2500	5824	2	1.29	
	50	35.10	2500	6321	2	1.19	
	46	38.25	2500	6888	2	1.09	
	42	41.89	2500	7543	2	1.00	
	198	8.85	3611	1594	2	2.77	MW882GH112L4
	162	10.79	3611	1943	2	2.77	
	138	12.64	3611	2276	2	2.77	
	118	14.86	3611	2676	2	2.77	
	103	17.05	3611	3070	2	2.77	
	87	20.12	3611	3623	2	2.77	
	80	21.81	3611	3927	2	2.77	
	72	24.25	3611	4367	2	2.77	
	66	26.34	3611	4743	2	2.68	
	60	29.14	3611	5247	2	2.55	
	57	30.67	3611	5523	2	2.72	
	51	34.23	3611	6164	2	2.44	
	47	37.08	3611	6677	2	2.25	
	42	42.03	3611	7568	2	1.99	
	39	45.27	3611	8152	2	1.85	
	36	48.95	3611	8814	2	1.71	
	33	53.16	3611	9573	2	1.57	
	30	58.78	3611	10585	2	1.42	
27	63.67	3611	11465	2	1.31		
24	71.75	3611	12920	2	1.16		
22	78.56	3611	14146	2	1.06		
44	39.78	3611	7163	3	2.35	MW883GH112L4	
36	47.99	3611	8642	3	1.95		

(B) - See Footnote page on inside back cover

NOMENCLATURE PAGE MSM-4	DIMENSIONS PAGE MSM-136	THERMAL RATINGS PAGE MSM-242	MOTOR INFORMATION PAGE ENGINEERING-14
----------------------------	----------------------------	---------------------------------	--

MOTORIZED SHAFT MOUNT INTEGRAL GEARMOTORS (MSM) - 1750 RPM 60 Hz

INPUT POWER (HP)	SPEED (RPM)	RATIO	OHL (LBF) (B)	OUTPUT TORQUE (LB-IN)	GEAR STAGE	SERVICE FACTOR (SF)	CATALOG NUMBER
5 (CONT.)	30	57.59	3611	10370	3	1.62	MW883GH112L4
	26	67.5	3611	12155	3	1.38	
	22	80.45	3611	14487	3	1.16	
	20	87.25	3611	15711	3	1.07	
	143	12.28	5433	2211	2	2.77	MW1082GH112L4
	120	14.59	5433	2627	2	2.77	
	104	16.83	5433	3031	2	2.77	
	88	19.78	5433	3562	2	2.77	
	83	21.18	5433	3814	2	2.77	
	70	24.89	5433	4482	2	2.77	
	61	28.56	5433	5143	2	2.77	
	52	33.71	5433	6070	2	2.77	
	48	36.54	5433	6580	2	2.77	
	43	40.62	5433	7315	2	2.77	
	40	44.12	5433	7945	2	2.77	
	36	48.81	5433	8789	2	2.77	
	33	52.40	5433	9436	2	2.67	
	31	56.47	5433	10169	2	2.51	
	29	61.12	5433	11006	2	2.35	
	26	66.48	5433	11971	2	2.19	
	24	72.74	5433	13098	2	2.03	
	36	49.04	5433	8831	3	2.77	MW1083GH112L4
	29	59.81	5433	10770	3	2.77	
	25	70.08	5433	12619	3	2.38	
	21	82.39	5433	14836	3	2.03	
	19	94.52	5433	17020	3	1.77	
	16	111.56	5433	20089	3	1.50	
	14	120.93	5433	21776	3	1.38	
13	134.45	5433	24211	3	1.24		
126	13.92	6777	2507	2	2.77	MW1282GH112L4	
108	16.27	6777	2930	2	2.77		
94	18.65	6777	3358	2	2.77		
81	21.57	6777	3884	2	2.77		
78	22.39	6777	4032	2	2.77		
71	24.77	6777	4460	2	2.77		
73	23.96	6777	4315	2	2.77		
63	27.66	6777	4981	2	2.77		
54	32.5	6777	5852	2	2.77		
48	36.83	6777	6632	2	2.77		
40	43.21	6777	7781	2	2.77		
37	47.14	6777	8489	2	2.77		

(B) - See Footnote page on inside back cover

NOMENCLATURE PAGE MSM-4	DIMENSIONS PAGE MSM-152	THERMAL RATINGS PAGE MSM-242	MOTOR INFORMATION PAGE ENGINEERING-14
----------------------------	----------------------------	---------------------------------	--

MOTORIZED SHAFT MOUNT INTEGRAL GEARMOTORS (MSM) - 1750 RPM 60 Hz

INPUT POWER (HP)	SPEED (RPM)	RATIO	OHL (LBF) (B)	OUTPUT TORQUE (LB-IN)	GEAR STAGE	SERVICE FACTOR (SF)	CATALOG NUMBER
	34	51.43	6777	9261	2	2.77	MW1282GH112L4
	32	55.50	6777	9994	2	2.77	
	28	62.03	6777	11170	2	2.77	
	26	66.44	6777	11964	2	2.72	
	24	71.45	6777	12866	2	2.56	
	23	77.17	6777	13896	2	2.40	
	MW1283GH112L4	31	56.05	6777	10093	3	2.77
		26	66.61	6777	11995	3	2.77
		23	76.87	6777	13842	3	2.77
		19	90.32	6777	16264	3	2.77
		17	102.35	6777	18430	3	2.77
		15	120.11	6777	21628	3	2.50
		13	131.03	6777	23595	3	2.29
		12	142.93	6777	25738	3	2.10
		11	154.25	6777	27776	3	1.94
		10	172.39	6777	31043	3	1.74
		9	184.67	6777	33254	3	1.62
	MW1483GH112L4	9	198.58	6777	35759	3	1.51
		8	214.48	6777	38622	3	1.40
		29	59.55	11478	10723	3	2.77
		25	69.59	11478	12531	3	2.77
		22	79.78	11478	14366	3	2.77
		19	92.24	11478	16610	3	2.77
		18	95.74	11478	17240	3	2.77
		17	105.94	11478	19077	3	2.77
		14	123.98	11478	22325	3	2.77
		13	134.28	11478	24180	3	2.77
12		149.86	11478	26986	3	2.76	
MW682GH132M4	11	158.88	11478	28610	3	2.68	
	10	180.11	11478	32433	3	2.37	
	9	192.71	11478	34702	3	2.22	
	9	202.69	11478	36499	3	2.11	
	8	218.71	11478	39383	3	1.96	
	7.5	263	6.65	2500	1796	2	3.59
		218	8.02	2500	2166	2	3.39
		182	9.63	2500	2601	2	3.16
		155	11.29	2500	3050	2	2.87
		130	13.45	2500	3633	2	2.44
		120	14.59	2500	3941	2	2.25
107		16.28	2500	4397	2	2.01	
99		17.64	2500	4765	2	1.86	

(B) - See Footnote page on inside back cover

NOMENCLATURE PAGE MSM-4	DIMENSIONS PAGE MSM-184	THERMAL RATINGS PAGE MSM-242	MOTOR INFORMATION PAGE ENGINEERING-14
----------------------------	----------------------------	---------------------------------	--

MOTORIZED SHAFT MOUNT INTEGRAL GEARMOTORS (MSM) - 1750 RPM 60 Hz

INPUT POWER (HP)	SPEED (RPM)	RATIO	OHL (LBF) (B)	OUTPUT TORQUE (LB-IN)	GEAR STAGE	SERVICE FACTOR (SF)	CATALOG NUMBER
7.5 (CONT.)	88	19.99	2500	5399	2	1.64	MW682GH132M4
	81	21.54	2500	5818	2	1.52	
	75	23.29	2500	6291	2	1.41	
	65	26.75	2500	7225	2	1.04	
	198	8.85	3611	2390	2	4.02	MW882GH132M4
	162	10.79	3611	2914	2	3.82	
	138	12.64	3611	3414	2	3.62	
	118	14.86	3611	4014	2	3.41	
	103	17.05	3611	4605	2	3.21	
	87	20.12	3611	5435	2	2.97	
	80	21.81	3611	5891	2	2.85	
	72	24.25	3611	6550	2	2.57	
	66	26.34	3611	7115	2	2.36	
	60	29.14	3611	7871	2	2.14	
	57	30.67	3611	8284	2	1.82	
	51	34.23	3611	9246	2	1.63	
	47	37.08	3611	10016	2	1.50	
	42	42.03	3611	11353	2	1.33	
	39	45.27	3611	12228	2	1.23	
	36	48.95	3611	13222	2	1.14	
	33	53.16	3611	14359	2	1.05	
	44	39.78	3611	10745	3	1.57	MW883GH132M4
	36	47.99	3611	12962	3	1.30	
	30	57.59	3611	15555	3	1.08	
	184	9.52	5433	2571	2	4.37	MW1082GH132M4
	158	11.08	5433	2993	2	4.36	
	143	12.28	5433	3317	2	4.36	
	120	14.59	5433	3941	2	4.36	
	104	16.83	5433	4546	2	4.37	
	88	19.78	5433	5343	2	4.25	
83	21.18	5433	5721	2	3.90		
70	24.89	5433	6723	2	3.55		
61	28.56	5433	7714	2	3.27		
52	33.71	5433	9105	2	2.96		
48	36.54	5433	9870	2	2.81		
43	40.62	5433	10972	2	2.64		
40	44.12	5433	11917	2	2.50		
36	48.81	5433	13184	2	2.28		
33	52.4	5433	14154	2	2.13		
31	56.47	5433	15253	2	1.97		
29	61.12	5433	16509	2	1.82		

(B) - See Footnote page on inside back cover

NOMENCLATURE PAGE MSM-4	DIMENSIONS PAGE MSM-136	THERMAL RATINGS PAGE MSM-242	MOTOR INFORMATION PAGE ENGINEERING-14
----------------------------	----------------------------	---------------------------------	--

MOTORIZED SHAFT MOUNT INTEGRAL GEARMOTORS (MSM) - 1750 RPM 60 Hz

INPUT POWER (HP)	SPEED (RPM)	RATIO	OHL (LBF) (B)	OUTPUT TORQUE (LB-IN)	GEAR STAGE	SERVICE FACTOR (SF)	CATALOG NUMBER
7.5 (CONT.)	26	66.48	5433	17957	2	1.68	MW1082GH132M4
	24	72.74	5433	19648	2	1.53	
	36	49.04	5433	13246	3	2.27	MW1083GH132M4
	29	59.81	5433	16155	3	1.86	
	25	70.08	5433	18929	3	1.59	
	21	82.39	5433	22254	3	1.35	
	19	94.52	5433	25531	3	1.18	
	16	111.56	5433	30133	3	1.00	
	166	10.56	6777	2852	2	4.28	MW1282GH132M4
	140	12.47	6777	3368	2	4.13	
	126	13.92	6777	3760	2	4.01	
	108	16.27	6777	4395	2	3.82	
	94	18.65	6777	5037	2	3.64	
	81	21.57	6777	5826	2	3.42	
	78	22.39	6777	6048	2	3.36	
	71	24.77	6777	6691	2	3.21	
	73	23.96	6777	6472	2	4.37	
	63	27.66	6777	7471	2	4.36	
	54	32.50	6777	8778	2	4.37	
	48	36.83	6777	9948	2	4.36	
	40	43.21	6777	11671	2	4.16	
	37	47.14	6777	12733	2	3.89	
	34	51.43	6777	13892	2	3.63	
	32	55.5	6777	14991	2	3.37	
	28	62.03	6777	16755	2	3.01	
	26	66.44	6777	17946	2	2.81	
	24	71.45	6777	19299	2	2.61	
	23	77.17	6777	20844	2	2.42	
	40	43.47	6777	11742	3	4.36	MW1283GH132M4
	35	50.57	6777	13659	3	3.95	
	31	56.05	6777	15140	3	3.57	
	26	66.61	6777	17992	3	3.00	
	23	76.87	6777	20763	3	2.60	
	19	90.32	6777	24396	3	2.21	
	17	102.35	6777	27645	3	1.95	
	15	120.11	6777	32443	3	1.66	
13	131.03	6777	35392	3	1.53		
12	142.93	6777	38606	3	1.40		
11	154.25	6777	41664	3	1.30		
10	172.39	6777	46564	3	1.16		
9	184.67	6777	49881	3	1.08		

(B) - See Footnote page on inside back cover

NOMENCLATURE PAGE MSM-4	DIMENSIONS PAGE MSM-168	THERMAL RATINGS PAGE MSM-242	MOTOR INFORMATION PAGE ENGINEERING-14
----------------------------	----------------------------	---------------------------------	--

MOTORIZED SHAFT MOUNT INTEGRAL GEARMOTORS (MSM) - 1750 RPM 60 Hz

INPUT POWER (HP)	SPEED (RPM)	RATIO	OHL (LBF) (B)	OUTPUT TORQUE (LB-IN)	GEAR STAGE	SERVICE FACTOR (SF)	CATALOG NUMBER
7.5 (CONT.)	9	198.58	6777	53638	3	1.01	MW1283GH132M4
	151	11.61	10832	3136	2	4.35	MW1482GH132M4
	131	13.32	10832	3598	2	4.23	
	119	14.68	10832	3965	2	4.13	
	101	17.35	10832	4686	2	3.93	
	88	19.78	11478	5343	2	3.74	
	77	22.74	11478	6142	2	3.53	
	67	26.00	11478	7023	2	3.32	
	66	26.51	11478	7161	2	4.36	
	58	30.39	11478	8209	2	4.37	
	50	35.14	11478	9492	2	4.36	
	48	36.47	11478	9851	2	4.37	
	43	40.36	11478	10902	2	4.33	
	37	47.23	11478	12757	2	3.84	
	34	51.15	11478	13816	2	3.61	
	31	57.09	11478	15420	2	3.30	
	29	60.53	11478	16350	2	3.15	
	26	68.61	11478	18532	2	2.83	
	24	73.42	11478	19831	2	2.67	
	23	77.21	11478	20855	2	2.56	
	21	83.32	11478	22505	2	2.40	
	39	45.18	11478	12203	3	4.37	MW1483GH132M4
	33	53.34	11478	14408	3	4.22	
	29	59.55	11478	16085	3	4.11	
	25	69.59	11478	18797	3	3.93	
	22	79.78	11478	21549	3	3.57	
	19	92.24	11478	24915	3	3.09	
	18	95.74	11478	25860	3	2.98	
	17	105.94	11478	28615	3	2.69	
	14	123.98	11478	33488	3	2.30	
	13	134.28	11478	36270	3	2.12	
	12	149.86	11478	40478	3	1.90	
11	158.88	11478	42915	3	1.79		
10	180.11	11478	48649	3	1.58		
9	192.71	11478	52052	3	1.48		
9	202.69	11478	54748	3	1.41		
8	218.71	11478	59075	3	1.30		
121	14.51	16653	3919	2	4.34	MW1682GH132M4	
106	16.53	16653	4465	2	4.22		
97	18.13	17897	4897	2	4.12		
80	21.85	17897	5902	2	3.88		

(B) - See Footnote page on inside back cover

NOMENCLATURE PAGE MSM-4	DIMENSIONS PAGE MSM-184	THERMAL RATINGS PAGE MSM-242	MOTOR INFORMATION PAGE ENGINEERING-14
----------------------------	----------------------------	---------------------------------	--

MOTORIZED SHAFT MOUNT INTEGRAL GEARMOTORS (MSM) - 1750 RPM 60 Hz

INPUT POWER (HP)	SPEED (RPM)	RATIO	OHL (LBF) (B)	OUTPUT TORQUE (LB-IN)	GEAR STAGE	SERVICE FACTOR (SF)	CATALOG NUMBER
7.5 (CONT.)	72	24.28	17897	6558	2	3.73	MW1682GH132M4
	64	27.50	17897	7428	2	3.54	
	55	32.07	19910	8662	2	4.37	
	48	36.55	19910	9872	2	4.37	
	42	42.03	19910	11353	2	4.35	
	36	48.04	20233	12976	2	4.23	
	31	55.68	20233	15040	2	3.86	
	29	60.66	20233	16385	2	3.61	
	26	67.58	20233	18254	2	3.30	
	24	71.58	20233	19334	2	3.14	
	22	80.50	20233	21744	2	2.85	
	20	86.06	20233	23245	2	2.69	
	30	59.27	20233	16009	3	4.35	MW1683GH132M4
	26	67.98	20233	18362	3	4.23	
	23	74.92	20233	20236	3	4.13	
	20	88.59	20233	23929	3	3.92	
	17	100.98	20233	27275	3	3.74	
	15	116.11	20233	31362	3	3.53	
	13	132.73	20233	35851	3	3.31	
	11	153.81	20233	41545	3	2.85	
10	167.58	20233	45265	3	2.62		
9	186.69	20233	50426	3	2.35		
9	197.75	20233	53414	3	2.22		
8	222.39	20233	60069	3	1.97		
7	237.76	20233	64221	3	1.85		
10	263	6.65	2500	2395	2	2.69	MW682GH132N4
	218	8.02	2500	2888	2	2.54	
	182	9.63	2500	3468	2	2.37	
	155	11.29	2500	4066	2	2.15	
	130	13.45	2500	4844	2	1.83	
	120	14.59	2500	5254	2	1.68	
	107	16.28	2500	5863	2	1.51	
	99	17.64	2500	6353	2	1.39	
	88	19.99	2500	7199	2	1.23	
	81	21.54	2500	7757	2	1.14	
	75	23.29	2500	8388	2	1.06	
	198	8.85	3611	3187	2	3.02	MW882GH132N4
	162	10.79	3611	3886	2	2.86	
	138	12.64	3611	4552	2	2.72	
	118	14.86	3611	5352	2	2.55	
103	17.05	3611	6140	2	2.41		

(B) - See Footnote page on inside back cover

NOMENCLATURE PAGE MSM-4	DIMENSIONS PAGE MSM-216	THERMAL RATINGS PAGE MSM-242	MOTOR INFORMATION PAGE ENGINEERING-14
----------------------------	----------------------------	---------------------------------	--

MOTORIZED SHAFT MOUNT INTEGRAL GEARMOTORS (MSM) - 1750 RPM 60 Hz

INPUT POWER (HP)	SPEED (RPM)	RATIO	OHL (LBF) (B)	OUTPUT TORQUE (LB-IN)	GEAR STAGE	SERVICE FACTOR (SF)	CATALOG NUMBER
10 (CONT.)	87	20.12	3611	7246	2	2.23	MW882GH132N4
	80	21.81	3611	7855	2	2.14	
	72	24.25	3611	8733	2	1.93	
	66	26.34	3611	9486	2	1.77	
	60	29.14	3611	10495	2	1.60	
	57	30.67	3611	11046	2	1.36	
	51	34.23	3611	12328	2	1.22	
	47	37.08	3611	13354	2	1.13	
	44	39.78	3611	14326	3	1.17	MW883GH132N4
	184	9.52	5433	3429	2	3.27	MW1082GH132N4
	158	11.08	5433	3990	2	3.27	
	143	12.28	5433	4423	2	3.27	
	120	14.59	5433	5254	2	3.27	
	104	16.83	5433	6061	2	3.27	
	88	19.78	5433	7124	2	3.19	
	83	21.18	5433	7628	2	2.92	
	70	24.89	5433	8964	2	2.66	
	61	28.56	5433	10286	2	2.45	
	52	33.71	5433	12140	2	2.22	
	48	36.54	5433	13160	2	2.11	
	43	40.62	5433	14629	2	1.98	
	40	44.12	5433	15890	2	1.88	
	36	48.81	5433	17579	2	1.71	
	33	52.40	5433	18871	2	1.59	
	31	56.47	5433	20337	2	1.48	
	29	61.12	5433	22012	2	1.37	
	26	66.48	5433	23942	2	1.26	
	24	72.74	5433	26197	2	1.15	
	36	49.04	5433	17661	3	1.70	MW1083GH132N4
	29	59.81	5433	21540	3	1.40	
	25	70.08	5433	25239	3	1.19	
	21	82.39	5433	29672	3	1.01	
	166	10.56	6777	3803	2	3.21	MW1282GH132N4
140	12.47	6777	4491	2	3.09		
126	13.92	6777	5013	2	3.01		
108	16.27	6777	5860	2	2.87		
94	18.65	6777	6717	2	2.73		
81	21.57	6777	7768	2	2.57		
78	22.39	6777	8064	2	2.52		
71	24.77	6777	8921	2	2.41		
73	23.96	6777	8629	2	3.27		

(B) - See Footnote page on inside back cover

NOMENCLATURE PAGE MSM-4	DIMENSIONS PAGE MSM-152	THERMAL RATINGS PAGE MSM-242	MOTOR INFORMATION PAGE ENGINEERING-14
----------------------------	----------------------------	---------------------------------	--

MOTORIZED SHAFT MOUNT INTEGRAL GEARMOTORS (MSM) - 1750 RPM 60 Hz

INPUT POWER (HP)	SPEED (RPM)	RATIO	OHL (LBF) (B)	OUTPUT TORQUE (LB-IN)	GEAR STAGE	SERVICE FACTOR (SF)	CATALOG NUMBER	
10 (CONT.)	63	27.66	6777	9962	2	3.27	MW1282GH132N4	
	54	32.50	6777	11705	2	3.27		
	48	36.83	6777	13264	2	3.27		
	40	43.21	6777	15562	2	3.12		
	37	47.14	6777	16977	2	2.92		
	34	51.43	6777	18522	2	2.72		
	32	55.50	6777	19988	2	2.52		
	28	62.03	6777	22340	2	2.26		
	26	66.44	6777	23928	2	2.11		
	24	71.45	6777	25732	2	1.96		
	23	77.17	6777	27792	2	1.82		
	40	43.47	6777	15655	3	3.27		MW1283GH132N4
	35	50.57	6777	18212	3	2.96		
	31	56.05	6777	20186	3	2.67		
	26	66.61	6777	23989	3	2.25		
	23	76.87	6777	27684	3	1.95		
	19	90.32	6777	32528	3	1.66		
	17	102.35	6777	36861	3	1.46		
	15	120.11	6777	43257	3	1.25		
	13	131.03	6777	47190	3	1.14		
	12	142.93	6777	51475	3	1.05		
	151	11.61	108.32	108.32	4181	2	3.26	MW1482GH132N4
	131	13.32	108.32	4797	2	3.17		
	119	14.68	108.32	5287	2	3.09		
	101	17.35	108.32	6248	2	2.94		
	88	19.78	11478	7124	2	2.81		
	77	22.74	11478	8190	2	2.65		
	67	26.00	11478	9364	2	2.49		
	66	26.51	11478	9547	2	3.27		
	58	30.39	11478	10945	2	3.27		
	50	35.14	11478	12655	2	3.27		
	48	36.47	11478	13134	2	3.27		
	43	40.36	11478	14535	2	3.25		
	37	47.23	11478	17010	2	2.88		
	34	51.15	11478	18421	2	2.71		
	31	57.09	11478	20561	2	2.48		
29	60.53	11478	21799	2	2.3.6			
26	68.61	11478	24709	2	2.12			
24	73.42	11478	26442	2	2.01			
23	77.21	11478	27807	2	1.92			

(B) - See Footnote page on inside back cover

NOMENCLATURE PAGE MSM-4	DIMENSIONS PAGE MSM-184	THERMAL RATINGS PAGE MSM-242	MOTOR INFORMATION PAGE ENGINEERING-14
----------------------------	----------------------------	---------------------------------	--

**MOTORIZED SHAFT MOUNT INTEGRAL GEARMOTORS (MSM) - 1750 RPM
60 Hz**

INPUT POWER (HP)	SPEED (RPM)	RATIO	OHL (LBF) (B)	OUTPUT TORQUE (LB-IN)	GEAR STAGE	SERVICE FACTOR (SF)	CATALOG NUMBER
10 (CONT.)	21	83.32	11478	30007	2	1.80	MW1482GH132N4
	39	45.18	11478	16271	3	3.27	MW1483GH132N4
	33	53.34	11478	19210	3	3.17	
	29	59.55	11478	21447	3	3.08	
	25	69.59	11478	25062	3	2.95	
	22	79.78	11478	28732	3	2.68	
	19	92.24	11478	33220	3	2.32	
	18	95.74	11478	34480	3	2.23	
	17	105.94	11478	38154	3	2.02	
	14	123.98	11478	44651	3	1.72	
	13	134.28	11478	48360	3	1.59	
	12	149.86	11478	53971	3	1.43	
	11	158.88	11478	57219	3	1.35	
	10	180.11	11478	64865	3	1.19	
	9	102.71	11478	69403	3	1.11	
	9	202.69	11478	72997	3	1.05	
	121	14.51	16653	5226	2	3.26	MW1682GH132N4
	106	16.53	16653	5953	2	3.17	
	97	18.13	17897	6529	2	3.09	
	80	21.85	17897	7869	2	2.91	
	72	24.28	17897	8744	2	2.80	
	64	27.5	17897	9904	2	2.65	
	55	32.07	19910	11550	2	3.27	
	48	36.55	19910	13163	2	3.27	
	42	42.03	19910	15137	2	3.26	
	36	48.04	20233	17301	2	3.17	
	31	55.68	20233	20053	2	2.90	
	29	60.66	20233	21846	2	2.70	
	26	67.58	20233	24338	2	2.47	
	24	71.58	20233	25779	2	2.36	
	22	80.50	20233	28992	2	2.13	
	20	86.06	20233	30994	2	2.02	
	30	59.27	20233	21346	3	3.26	MW1683GH132N4
	26	67.98	20233	24483	3	3.17	
	23	74.92	20233	26982	3	3.10	
	20	88.59	20233	31905	3	2.94	
17	100.98	20233	36367	3	2.81		
15	116.11	20233	41816	3	2.65		
13	132.73	20233	47802	3	2.48		
11	153.81	20233	55394	3	2.14		

(B) - See Footnote page on inside back cover

NOMENCLATURE PAGE MSM-4	DIMENSIONS PAGE MSM-200	THERMAL RATINGS PAGE MSM-242	MOTOR INFORMATION PAGE ENGINEERING-14
----------------------------	----------------------------	---------------------------------	--

SELECTION



MOTORIZED SHAFT MOUNT INTEGRAL GEARMOTORS (MSM) - 1750 RPM 60 Hz

INPUT POWER (HP)	SPEED (RPM)	RATIO	OHL (LBF) (B)	OUTPUT TORQUE (LB-IN)	GEAR STAGE	SERVICE FACTOR (SF)	CATALOG NUMBER
10 (CONT.)	10	167.58	20233	60353	3	1.97	MW1683GH132N4
	9	186.69	20233	67235	3	1.76	
	9	197.75	20233	71218	3	1.67	
	8	222.39	20233	80092	3	1.48	
	7	237.76	20233	85628	3	1.39	

QUANTIS

QUANTIS GOLD

ILH

RHB

MSM

(B) - See Footnote page on inside back cover

NOMENCLATURE PAGE MSM-4	DIMENSIONS PAGE MSM-216	THERMAL RATINGS PAGE MSM-242	MOTOR INFORMATION PAGE ENGINEERING-14
----------------------------	----------------------------	---------------------------------	--

DIMENSIONS



MOTORIZED SHAFT MOUNT REDUCER (MSM) NEMA C-Face - Universal Mounting - Clamp Collar / 3 Piece Coupled Double/Triple Reduction Solid Output Shaft

SIZE: MW38

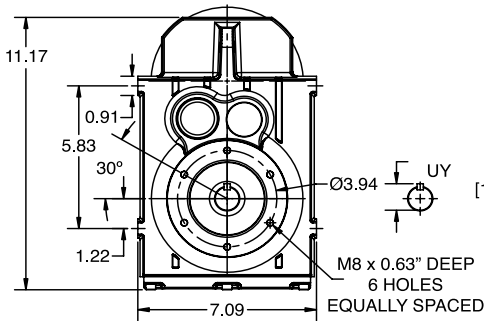
QUANTIS

QUANTIS GOLD

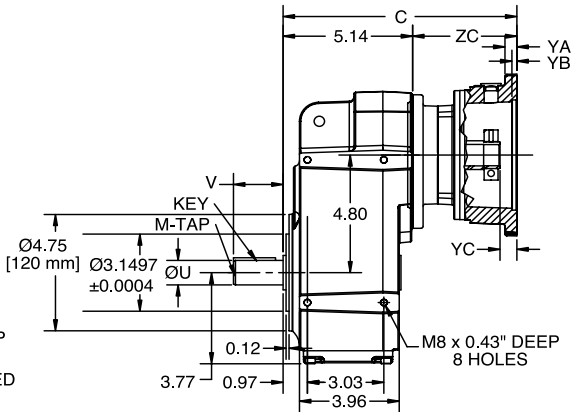
ILH

RHB

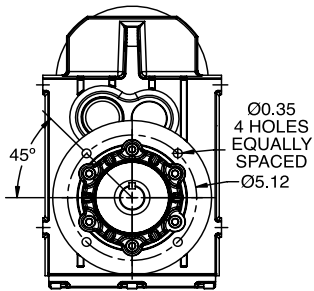
MSM



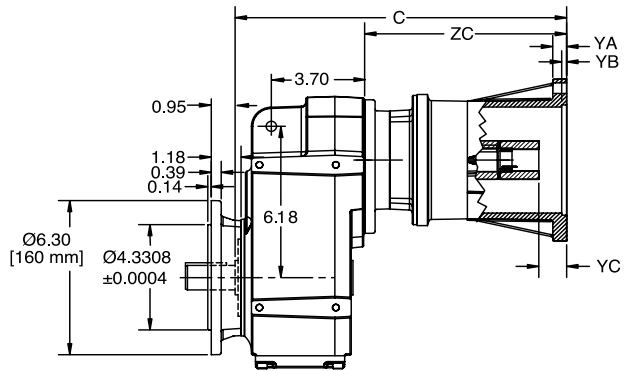
B14 OUTPUT FLANGE -
Ø 120mm



CLAMP COLLAR



B5 OUTPUT FLANGE -
Ø 160mm



THREE-PIECE COUPLED

METRIC OUTPUT SHAFT



NOMENCLATURE
PAGE MSM-4

MOUNTING POSITIONS
PAGE MSM-10

STOCK/NON-STOCK PART NUMBERS
PAGE MSM-57

WEIGHTS
PAGE MSM-250

DIMENSIONS



MOTORIZED SHAFT MOUNT REDUCER (MSM)

SIZE: MW38

NEMA C-Face - Universal Mounting - Clamp Collar / 3 Piece Coupled
Double/Triple Reduction
Solid Output Shaft

STANDARD SOLID OUTPUT SHAFT

Dimension - Inch/MM

ØU	tol.	UY	V	VO	KEY	M-TAP x DEPTH
1.000	+0.0000 -0.0005	1.11	1.97	-	1/4 x 1/4 x 1-5/8	3/8-16 UNC x 0.87
25	+0.015 +0.002	28	50	7	8 x 7 x 40	M10 x 22

OPTIONAL SOLID OUTPUT SHAFT

Dimension - Inch/MM

ØU	tol.	UY	V	VO	KEY	M-TAP x DEPTH
1.375	+0.0000 -0.0005	1.52	2.76	-	5/16 x 5/16 x 2-3/8	3/8-16 UNC x 0.87
35	+0.018 +0.002	38	70	7	10 x 8 x 56	M12 x 28

NEMA MOTOR ADAPTER - CLAMP COLLAR

Dimension - Inch

	MW38 Double		MW38 Triple		DOUBLE/ TRIPLE		
	C	ZC	C	ZC	YA	YB	YC
56C	8.60	3.46	9.19	4.06	0.47	0.20	0.67
140TC	9.27	4.13	9.86	4.72	0.47	0.20	0.67
180TC	9.59	4.45	-	-	0.69	0.22	0.93

NEMA MOTOR ADAPTER - 3 PIECE COUPLED

Dimension - Inch

	MW38 Double		MW38 Triple		DOUBLE/ TRIPLE		
	C	ZC	C	ZC	YA	YB	YC
56C	11.73	6.59	12.32	7.19	0.55	0.20	1.08
140TC	13.15	8.01	13.74	8.60	0.55	0.20	1.10
180TC	14.43	9.29	-	-	0.87	0.22	1.65

Refer to page Engineering-2 for Input Shaft and Flange details.

NOMENCLATURE PAGE MSM-4	MOUNTING POSITIONS PAGE MSM-10	STOCK/NON-STOCK PART NUMBERS PAGE MSM-57	WEIGHTS PAGE MSM-250
----------------------------	-----------------------------------	---	-------------------------

DIMENSIONS



MOTORIZED SHAFT MOUNT REDUCER (MSM) IEC D Flange (B5 Input) - Universal Mounting - Clamp Collar / 3 Piece Coupled Double/Triple Reduction Solid Output Shaft

SIZE: MW38

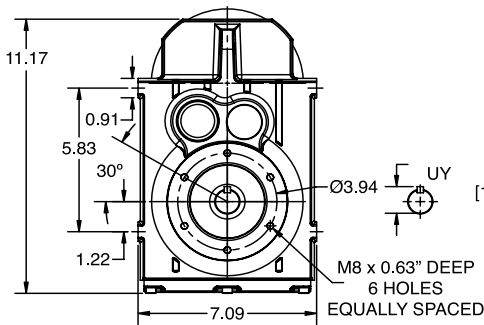
QUANTIS

QUANTIS GOLD

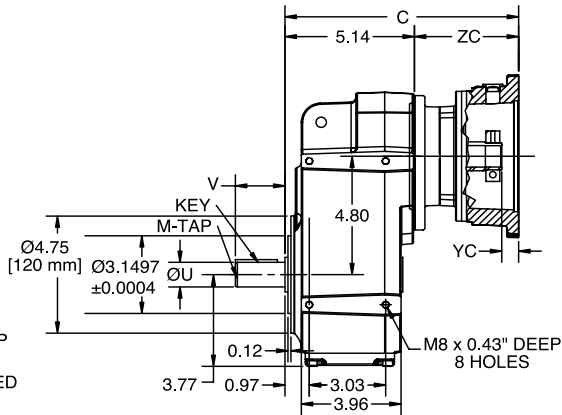
ILH

RHB

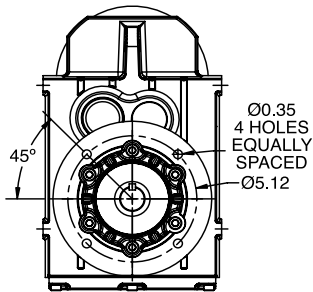
MSM



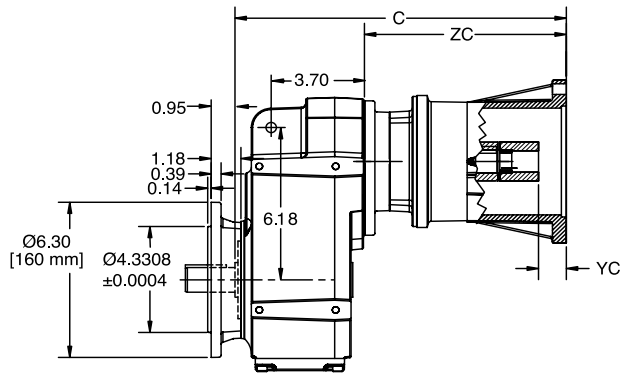
B14 OUTPUT FLANGE -
Ø 120mm



CLAMP COLLAR



B5 OUTPUT FLANGE -
Ø 160mm



THREE-PIECE COUPLED

METRIC OUTPUT SHAFT



NOMENCLATURE
PAGE MSM-4

MOUNTING POSITIONS
PAGE MSM-10

STOCK/NON-STOCK PART NUMBERS
PAGE MSM-57

WEIGHTS
PAGE MSM-250

DIMENSIONS



MOTORIZED SHAFT MOUNT REDUCER (MSM)

SIZE: MW38

IEC D Flange (B5 Input) - Universal Mounting - Clamp Collar / 3 Piece Coupled
Double/Triple Reduction
Solid Output Shaft

STANDARD SOLID OUTPUT SHAFT

Dimension - Inch/MM

ØU	tol.	UY	V	VO	KEY	M-TAP x DEPTH
1.000	+0.0000 -0.0005	1.11	1.97	-	1/4 x 1/4 x 1-5/8	3/8-16 UNC x 0.87
25	+0.015 +0.002	28	50	7	8 x 7 x 40	M10 x 22

OPTIONAL SOLID OUTPUT SHAFT

Dimension - Inch/MM

ØU	tol.	UY	V	VO	KEY	M-TAP x DEPTH
1.375	+0.0000 -0.0005	1.52	2.76	-	5/16 x 5/16 x 2-3/8	3/8-16 UNC x 0.87
35	+0.018 +0.002	38	70	7	10 x 8 x 56	M12 x 28

IEC MOTOR ADAPTER - CLAMP COLLAR

Dimension - Inch

	MW38 Double		MW38 Triple		DOUBLE/ TRIPLE
	C	ZC	C	ZC	YC
71D	7.89	2.76	8.48	3.35	0.16
80D	8.84	3.70	9.43	4.29	0.61
90D	8.84	3.70	9.43	4.29	0.61
100D	9.13	4.00	-	-	0.28

IEC MOTOR ADAPTER - 3 PIECE COUPLED

Dimension - Inch

	MW38 Double		MW38 Triple		DOUBLE/ TRIPLE
	C	ZC	C	ZC	YC
80D	13.07	7.93	13.66	8.52	0.59
90D	13.07	7.93	13.66	8.52	1.02
100D	13.96	8.82	-	-	1.18

Refer to page Engineering-3 for Input Shaft and Flange details.

NOMENCLATURE PAGE MSM-4	MOUNTING POSITIONS PAGE MSM-10	STOCK/NON-STOCK PART NUMBERS PAGE MSM-57	WEIGHTS PAGE MSM-250
----------------------------	-----------------------------------	---	-------------------------

DIMENSIONS



QUANTIS

QUANTIS GOLD

ILH

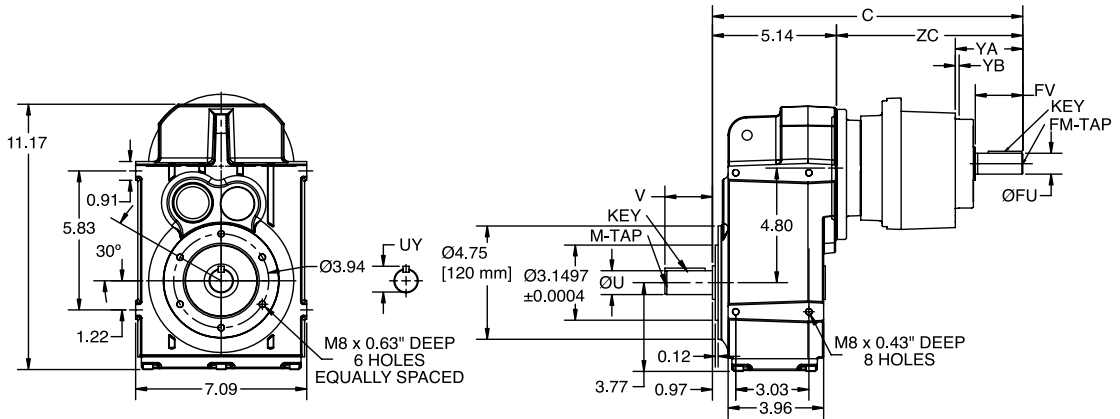
RHB

MSM

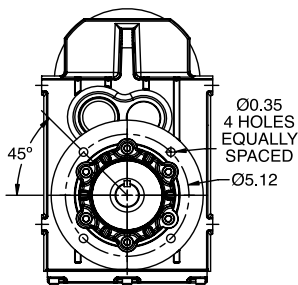
MOTORIZED SHAFT MOUNT REDUCER (MSM)

SIZE: MW38

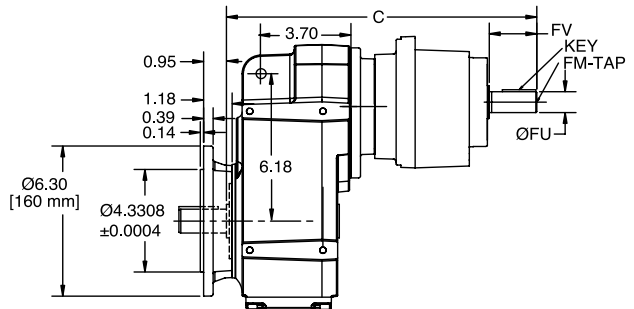
Separate - Universal Mounting
Double/Triple Reduction
Solid Output Shaft



B14 OUTPUT FLANGE -
Ø 120mm

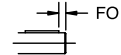


B5 OUTPUT FLANGE -
Ø 160mm



METRIC OUTPUT SHAFT

METRIC INPUT SHAFT



NOMENCLATURE
PAGE MSM-4

MOUNTING POSITIONS
PAGE MSM-10

STOCK/NON-STOCK PART NUMBERS
PAGE MSM-57

WEIGHTS
PAGE MSM-250

DIMENSIONS



MOTORIZED SHAFT MOUNT REDUCER (MSM)

SIZE: MW38

Separate - Universal Mounting
Double/Triple Reduction
Solid Output Shaft

STANDARD SOLID OUTPUT SHAFT

Dimension - Inch/MM

ØU	tol.	UY	V	VO	KEY	M-TAP x DEPTH
1.000	+0.0000 -0.0005	1.11	1.97	-	1/4 x 1/4 x 1-5/8	3/8-16 UNC x 0.87
25	+0.015 +0.002	28	50	7	8 x 7 x 40	M10 x 22

OPTIONAL SOLID OUTPUT SHAFT

Dimension - Inch/MM

ØU	tol.	UY	V	VO	KEY	M-TAP x DEPTH
1.375	+0.0000 -0.0005	1.52	2.76	-	5/16 x 5/16 x 2-3/8	3/8-16 UNC x 0.87
35	+0.018 +0.002	38	70	7	10 x 8 x 56	M12 x 28

SEPARATE INPUT

Dimension - Inch/MM

	MW38 Double		MW38 Triple		DOUBLE/TRIPLE							
	C	ZC	C	ZC	FO	FM x DEPTH	ØFU	tol.	FV	YA	YB	Key
71	11.08	5.94	11.67	6.54	---	8-32 UNC x 0.49	0.625	+0.0000 -0.0005	1.57	2.40	0.16	3/16 x 3/16 x 1-5/16
	282	151	297	166	4	M5 x 12.5	16	+0.012 +0.001	40			5 x 5 x 32
80	12.46	7.32	13.05	7.91	---	1/4-20 UNC x 0.63	0.750	+0.0000 -0.0005	1.57	2.40	0.16	3/16 x 3/16 x 1-5/16
	317	186	332	201	4	M6 x 16	19	+0.015 +0.002	40			6 x 6 x 32
90	12.85	7.72	13.44	8.31	---	5/16-18 UNC x 0.75	0.875	+0.0000 -0.0005	1.97	2.80	0.16	3/16 x 3/16 x 1-5/8
	327	196	342	211	5	M8 x 19	24	+0.015 +0.002	50			8 x 7 x 40
100	13.48	8.35	---	---	---	3/8 -16 UNC x 0.87	1.125	+0.0000 -0.0005	2.36	3.27	0.16	1/4 x 1/4 x 2
	343	212	---	---	5	M10 x 22	28	+0.015 +0.002	60			8 x 7 x 50

Refer to page Engineering-4 for Input Shaft and Flange details.

NOMENCLATURE PAGE MSM-4	MOUNTING POSITIONS PAGE MSM-10	STOCK/NON-STOCK PART NUMBERS PAGE MSM-57	WEIGHTS PAGE MSM-250
----------------------------	-----------------------------------	---	-------------------------

DIMENSIONS



MOTORIZED SHAFT MOUNT REDUCER (MSM)

SIZE: MW38

Integral Gearmotor - Universal Mounting
 Double/Triple Reduction
 Solid Output Shaft

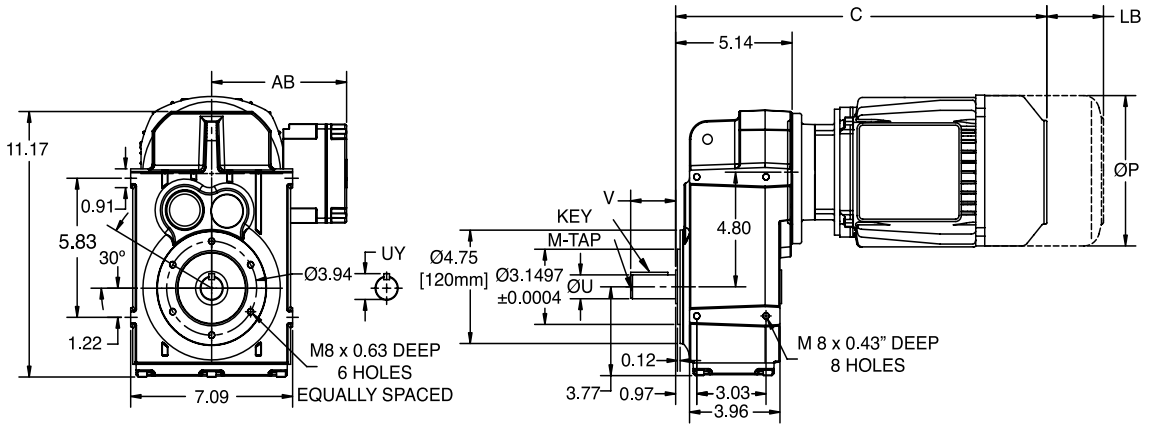
QUANTIS

QUANTIS GOLD

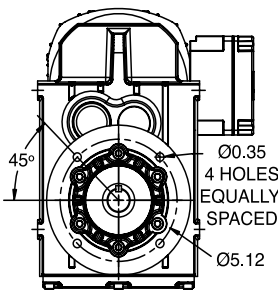
ILH

RHB

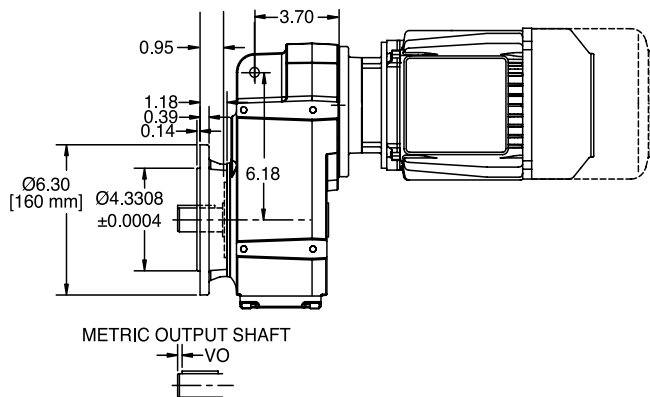
MSM



B14 OUTPUT FLANGE -
 Ø120 mm



B5 OUTPUT FLANGE -
 Ø160mm



METRIC OUTPUT SHAFT



NOMENCLATURE PAGE MSM-4	MOUNTING POSITIONS PAGE MSM-10	STOCK/NON-STOCK PART NUMBERS PAGE MSM-57	WEIGHTS PAGE MSM-250
----------------------------	-----------------------------------	---	-------------------------

DIMENSIONS



MOTORIZED SHAFT MOUNT REDUCER (MSM)

SIZE: MW38

Integral Gearmotor - Universal Mounting
Double/Triple Reduction
Solid Output Shaft

STANDARD SOLID OUTPUT SHAFT

Dimension - Inch/MM

ØU	tol.	UY	V	VO	KEY	M-TAP x DEPTH
1.000	+0.0000 -0.0005	1.11	1.97	-	1/4 x 1/4 x 1-5/8	3/8-16 UNC x 0.87
25	+0.015 +0.002	28	50	7	8 x 7 x 40	M10 x 22

OPTIONAL SOLID OUTPUT SHAFT

Dimension - Inch/MM

ØU	tol.	UY	V	VO	KEY	M-TAP x DEPTH
1.375	+0.0000 -0.0005	1.52	2.76	-	5/16 x 5/16 x 2-3/8	3/8 -16 UNC x 0.87
35	+0.018 +0.002	38	70	5	10 x 8 x 56	M12 x 28

MOTOR

Dimension - Inch/MM

Frame	MW38 Double		MW38 Triple		P	AB
	C	LB	C	LB		
71C4 / 71D4 / 71E4	15.68	1.81	16.27	1.81	6.19	5.18
	399	46	414	46	158	132
80F4	15.83	2.56	16.42	2.56	6.19	5.12
	403	65	418	65	158	131
80G4	17.33	2.56	17.92	2.56	6.19	5.12
	441	65	456	65	158	131
90H4	17.26	2.52	17.85	2.52	7.19	5.79
	439	64	454	64	183	148
90I4	18.14	2.52	18.73	2.52	7.19	5.79
	461	64	476	64	183	148
100J4	20.14	2.91	-	-	7.19	5.79
	512	74	-	-	183	148

NOMENCLATURE PAGE MSM-4	MOUNTING POSITIONS PAGE MSM-10	STOCK/NON-STOCK PART NUMBERS PAGE MSM-57	WEIGHTS PAGE MSM-250
----------------------------	-----------------------------------	---	-------------------------

DIMENSIONS



MOTORIZED SHAFT MOUNT REDUCER (MSM) NEMA C-Face - Universal Mounting - Clamp Collar / 3 Piece Coupled Double/Triple Reduction Straight Hollow Bore Output Shaft

SIZE: MW38

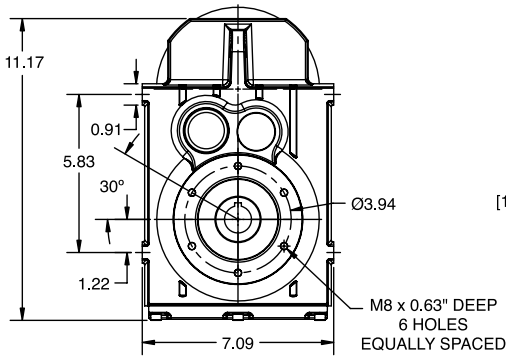
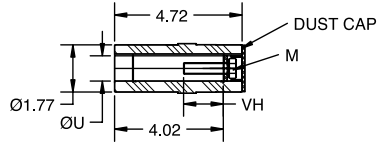
QUANTIS

QUANTIS GOLD

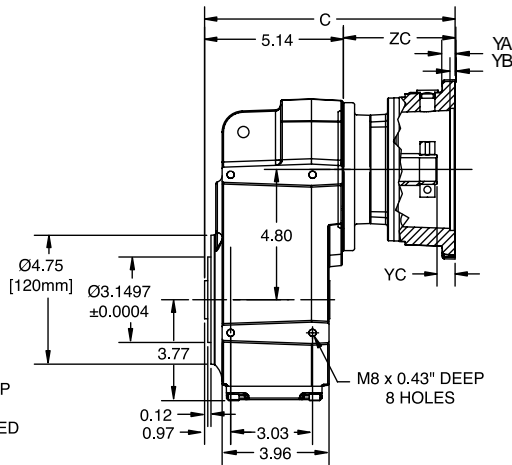
ILH

RHB

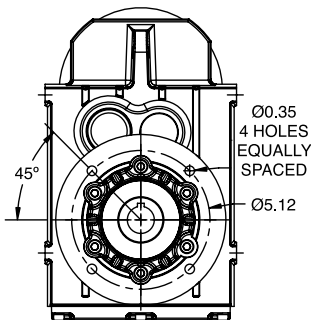
MSM



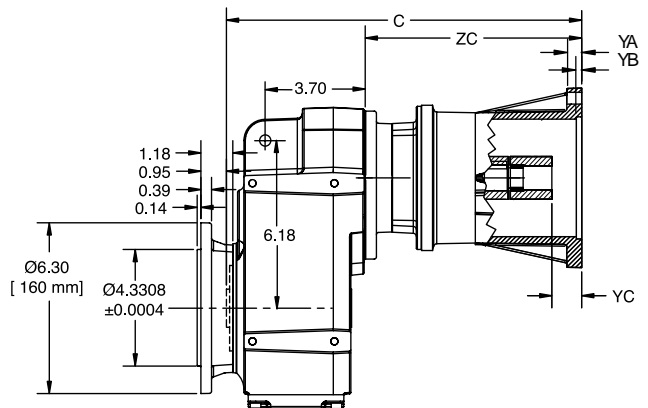
B14 OUTPUT FLANGE -
Ø120mm



CLAMP COLLAR



B5 OUTPUT FLANGE -
Ø160mm



THREE-PIECE COUPLED

NOMENCLATURE
PAGE MSM-4

MOUNTING POSITIONS
PAGE MSM-10

STOCK/NON-STOCK PART NUMBERS
PAGE MSM-57

WEIGHTS
PAGE MSM-250

DIMENSIONS



MOTORIZED SHAFT MOUNT REDUCER (MSM) NEMA C-Face - Universal Mounting - Clamp Collar / 3 Piece Coupled Double/Triple Reduction Straight Hollow Bore Output Shaft

SIZE: MW38

STANDARD HOLLOW OUTPUT SHAFT

Dimension - Inch/MM

ØU	tol.	UY	VH	KEY	M
1.250	+0.0010 +0.0004	1.38	1.47	1/4 x 1/4 x 1-7/8	3/8-16 x 1-3/4 UNC
30	+0.021 +0.000	33	31	8 x 7 x 40	M10 x 40

NEMA MOTOR ADAPTER - CLAMP COLLAR

Dimension - Inch

	MW38 Double		MW38 Triple		DOUBLE/ TRIPLE		
	C	ZC	C	ZC	YA	YB	YC
56C	8.60	3.46	9.19	4.06	0.47	0.20	0.67
140TC	9.27	4.13	9.86	4.72	0.47	0.20	0.67
180TC	9.59	4.45	-	-	0.73	0.22	0.91

NEMA MOTOR ADAPTER - 3 PIECE COUPLED

Dimension - Inch

	MW38 Double		MW38 Triple		DOUBLE/ TRIPLE		
	C	ZC	C	ZC	YA	YB	YC
56C	11.73	6.59	12.32	7.19	0.55	0.20	1.08
140TC	13.15	8.01	13.74	8.60	0.55	0.20	1.10

Refer to page ENGINEERING-2 for Input Shaft and Flange details.
Refer to page ENGINEERING-8 and ENGINEERING-9 for driven shaft dimensions.
Refer to page MSM-228 for Twin Tapered Bushing details.

NOMENCLATURE PAGE MSM-4	MOUNTING POSITIONS PAGE MSM-10	STOCK/NON-STOCK PART NUMBERS PAGE MSM-57	WEIGHTS PAGE MSM-250
----------------------------	-----------------------------------	---	-------------------------

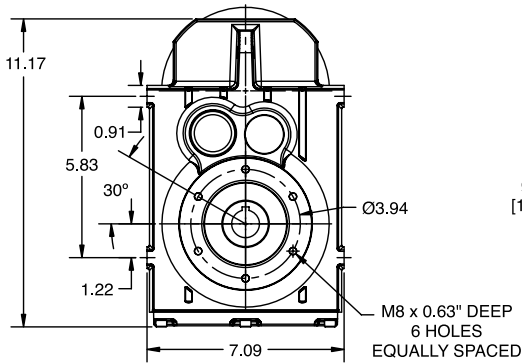
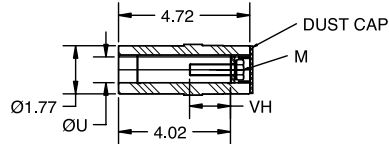
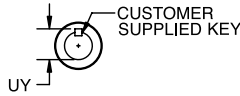
DIMENSIONS



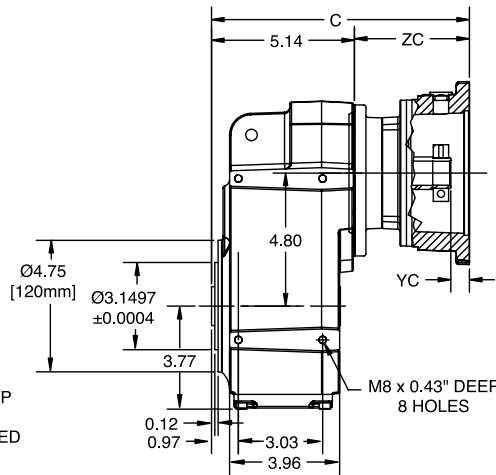
MOTORIZED SHAFT MOUNT REDUCER (MSM)

SIZE: MW38

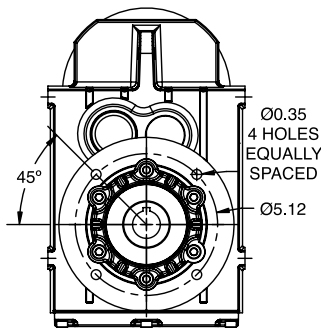
IEC D Flange (B5 Input) - Universal Mounting - Clamp Collar / 3 Piece Coupled
 Double/Triple Reduction
 Straight Hollow Bore Output Shaft



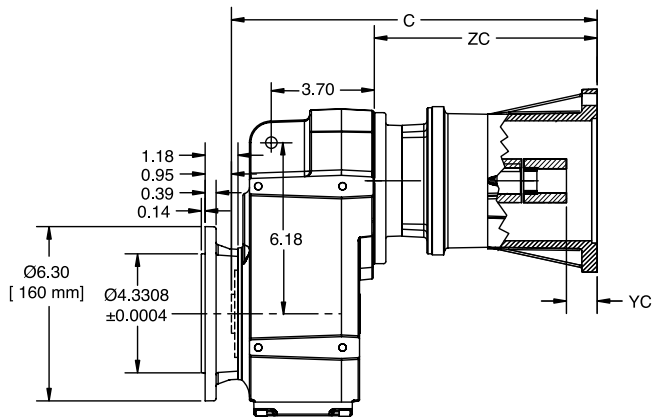
B14 OUTPUT FLANGE -
 Ø120mm



CLAMP COLLAR



B5 OUTPUT FLANGE -
 Ø160mm



THREE-PIECE COUPLED

NOMENCLATURE
 PAGE MSM-4

MOUNTING POSITIONS
 PAGE MSM-10

STOCK/NON-STOCK PART NUMBERS
 PAGE MSM-57

WEIGHTS
 PAGE MSM-250

DIMENSIONS



MOTORIZED SHAFT MOUNT REDUCER (MSM)

SIZE: MW38

IEC D Flange (B5 Input) - Universal Mounting - Clamp Collar / 3 Piece Coupled
Double/Triple Reduction
Straight Hollow Bore Output Shaft

STANDARD HOLLOW OUTPUT SHAFT

Dimension - Inch/MM

ØU	tol.	UY	VH	KEY	M
1.250	+0.0010 +0.0004	1.38	1.47	1/4 x 1/4 x 1-7/8	3/8-16 x 1-3/4 UNC
30	+0.021 +0.000	33	31	8 x 7 x 40	M10 x 40

IEC MOTOR ADAPTER - CLAMP COLLAR

Dimension - Inch

	MW38 Double		MW38 Triple		DOUBLE/ TRIPLE
	C	ZC	C	ZC	YC
71D	7.89	2.76	8.48	3.35	0.16
80D	8.84	3.70	9.43	4.29	0.61
90D	8.84	3.70	9.43	4.29	0.61
100D	9.13	4.00	-	-	0.28

IEC MOTOR ADAPTER - 3 PIECE COUPLED

Dimension - Inch

	MW38 Double		MW38 Triple		DOUBLE/ TRIPLE
	C	ZC	C	ZC	YC
80D	13.07	7.93	13.66	8.52	0.59
90D	13.07	7.93	13.66	8.52	1.02
100D	13.96	8.82	-	-	1.18

Refer to page ENGINEERING-3 for Input Shaft and Flange details.

Refer to page ENGINEERING-8 and ENGINEERING-9 for driven shaft dimensions.

Refer to page MSM-228 for Twin Tapered Bushing details.

NOMENCLATURE PAGE MSM-4	MOUNTING POSITIONS PAGE MSM-10	STOCK/NON-STOCK PART NUMBERS PAGE MSM-57	WEIGHTS PAGE MSM-250
----------------------------	-----------------------------------	---	-------------------------

DIMENSIONS



QUANTIS

QUANTIS GOLD

ILH

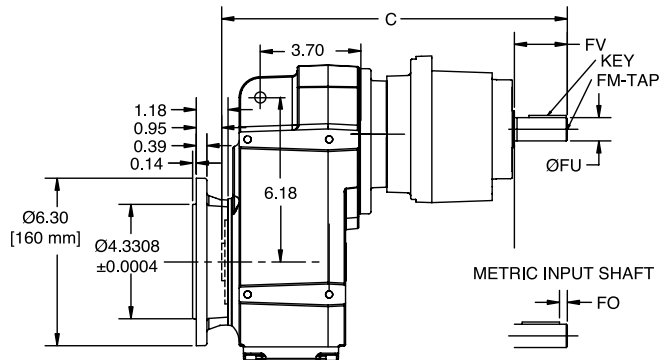
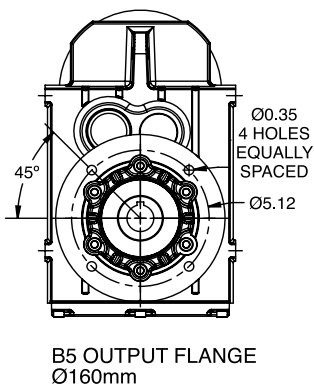
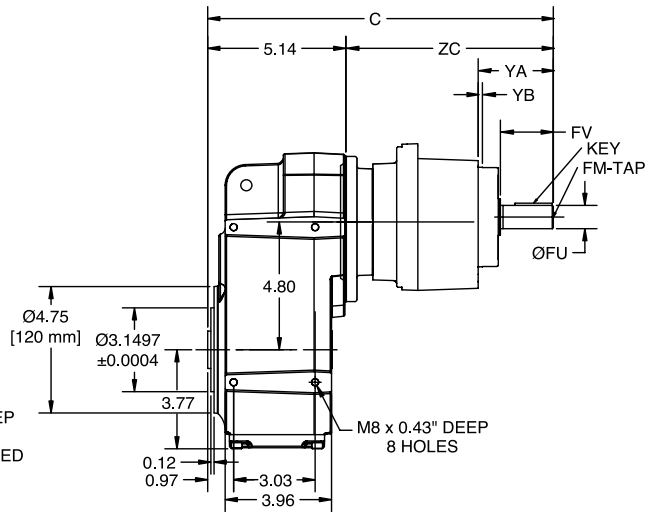
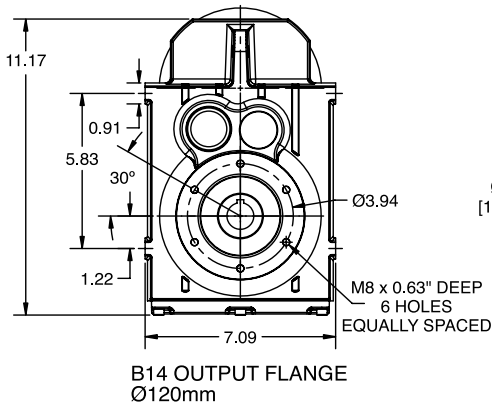
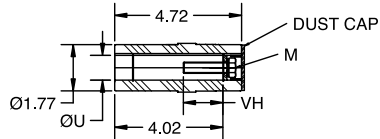
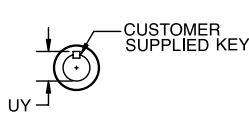
RHB

MSM

MOTORIZED SHAFT MOUNT REDUCER (MSM)

SIZE: MW38

Separate - Universal Mounting
Double/Triple Reduction
Straight Hollow Bore Output Shaft



NOMENCLATURE PAGE MSM-4	MOUNTING POSITIONS PAGE MSM-10	STOCK/NON-STOCK PART NUMBERS PAGE MSM-57	WEIGHTS PAGE MSM-250
----------------------------	-----------------------------------	---	-------------------------

DIMENSIONS



MOTORIZED SHAFT MOUNT REDUCER (MSM)

SIZE: MW38

Separate - Universal Mounting

Double/Triple Reduction

Straight Hollow Bore Output Shaft

STANDARD HOLLOW OUTPUT SHAFT

Dimension - Inch/MM

ØU	tol.	UY	VH	KEY	M
1.250	+0.0010 +0.0004	1.38	1.47	1/4 x 1/4 x 1-7/8	3/8-16 x 1-3/4 UNC
30	+0.021 +0.000	33	31	8 x 7 x 40	M10 x 40

SEPARATE INPUT

Dimension - Inch/MM

	MW38 Double		MW38 Triple		DOUBLE/ TRIPLE							
	C	ZC	C	ZC	FO	FM x DEPTH	ØFU	tol.	FV	YA	YB	Key
71	11.08	5.94	11.67	6.54	---	8-32 UNC x 0.49	0.625	+0.0000 -0.0005	1.57	2.40	0.16	3/16 x 3/16 x 1-5/16
	282	151	297	166	4	M5 x 12	16	+0.012 +0.001	40			5 x 5 x 32
80	12.46	7.32	13.05	7.91	---	1/4-20 UNC x 0.63	0.750	+0.0000 -0.0005	1.57	2.40	0.16	3/16 x 3/16 x 1-5/16
	317	186	332	201	4	M6 x 16	19	+0.015 +0.002	40			6 x 6 x 32
90	12.85	7.72	13.44	8.31	---	5/16-18 UNC x 0.75	0.875	+0.0000 -0.0005	1.97	2.80	0.16	3/16 x 3/16 x 1-5/8
	327	196	342	211	5	M8 x 19	24	+0.015 +0.002	50			8 x 7 x 40
100	13.48	8.35	---	---	---	3/8 -16 UNC x 0.87	1.125	+0.0000 -0.0005	2.36	3.27	0.16	1/4 x 1/4 x 2
	343	212	---	---	5	M10 x 22	28	+0.015 +0.002	60			8 x 7 x 50

Refer to page ENGINEERING-4 for Input Shaft and Flange details.

Refer to page ENGINEERING-8 and ENGINEERING-9 for driven shaft dimensions.

Refer to page MSM-228 for Twin Tapered Bushing details.

NOMENCLATURE PAGE MSM-4	MOUNTING POSITIONS PAGE MSM-10	STOCK/NON-STOCK PART NUMBERS PAGE MSM-57	WEIGHTS PAGE MSM-250
----------------------------	-----------------------------------	---	-------------------------

DIMENSIONS



MOTORIZED SHAFT MOUNT REDUCER (MSM)

SIZE: MW38

Integral Gearmotor - Universal Mounting
 Double/Triple Reduction
 Straight Hollow Bore Output Shaft

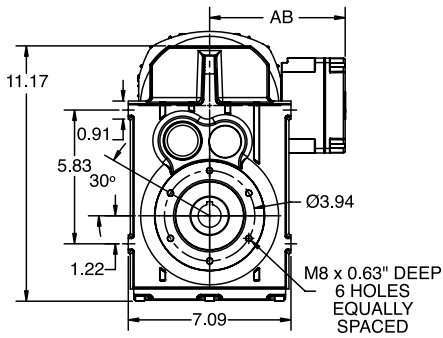
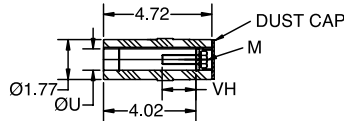
QUANTIS

QUANTIS GOLD

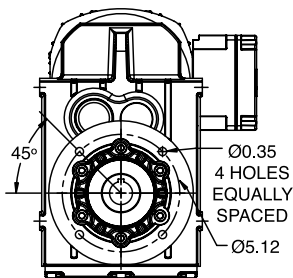
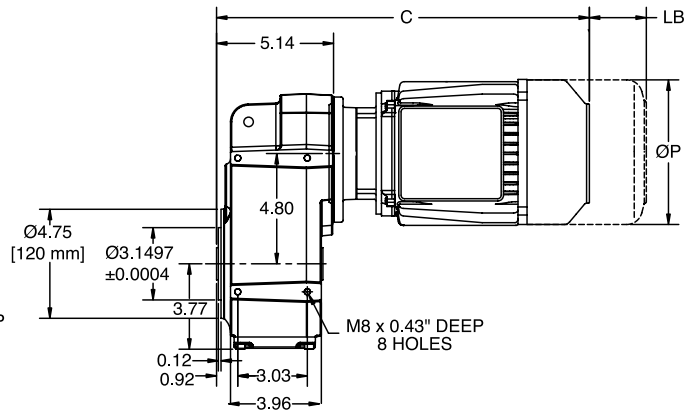
ILH

RHB

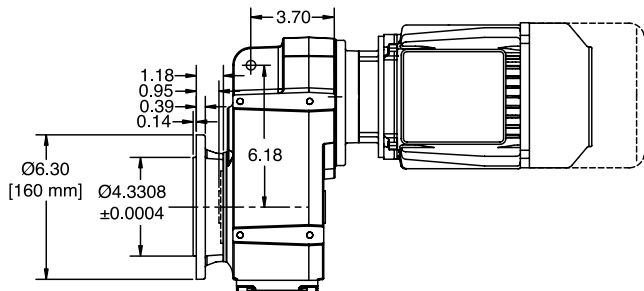
MSM



B14 OUTPUT FLANGE
 Ø120mm



B5 OUTPUT FLANGE
 Ø160mm



NOMENCLATURE PAGE MSM-4	MOUNTING POSITIONS PAGE MSM-10	STOCK/NON-STOCK PART NUMBERS PAGE MSM-57	WEIGHTS PAGE MSM-250
----------------------------	-----------------------------------	---	-------------------------

DIMENSIONS



MOTORIZED SHAFT MOUNT REDUCER (MSM)

SIZE: MW38

Integral Gearmotor - Universal Mounting
 Double/Triple Reduction
 Straight Hollow Bore Output Shaft

STANDARD HOLLOW OUTPUT SHAFT

Dimension - Inch/MM

ØU	tol.	UY	VH	KEY	M
1.250	+0.0010 +0.0004	1.37	1.47	1/4 x 1/4 x 1-7/8	3/8-16 x 1-3/4 UNC
30	+0.021 -0.000	33	31	8 x 7 x 40	M10 x 40

MOTOR

Dimension - Inch/MM

Frame	MW38 Double		MW38 Triple		P	AB
	C	LB	C	LB		
71C4 / 71D4 / 71E4	15.68	1.81	16.27	1.81	6.19	5.18
	399	46	414	46	158	132
80F4	15.83	2.56	16.42	2.56	6.19	5.12
	403	65	418	65	158	131
80G4	17.33	2.56	17.92	2.56	6.19	5.12
	441	65	456	65	158	131
90H4	17.26	2.52	17.85	2.52	7.19	5.79
	439	64	454	64	183	148
90I4	18.14	2.52	18.73	2.52	7.19	5.79
	461	64	476	64	183	148
100J4	20.14	2.91	-	-	7.19	5.79
	512	74	-	-	183	148

Refer to page ENGINEERING-8 and ENGINEERING-9 for driven shaft dimensions.
 Refer to page MSM-228 for Twin Tapered Bushing details.

NOMENCLATURE PAGE MSM-4	MOUNTING POSITIONS PAGE MSM-10	STOCK/NON-STOCK PART NUMBERS PAGE MSM-57	WEIGHTS PAGE MSM-250
----------------------------	-----------------------------------	---	-------------------------

DIMENSIONS



MOTORIZED SHAFT MOUNT REDUCER (MSM) NEMA C-Face - Universal Mounting - Clamp Collar / 3 Piece Coupled Double/Triple Reduction Solid Output Shaft

SIZE: MW48

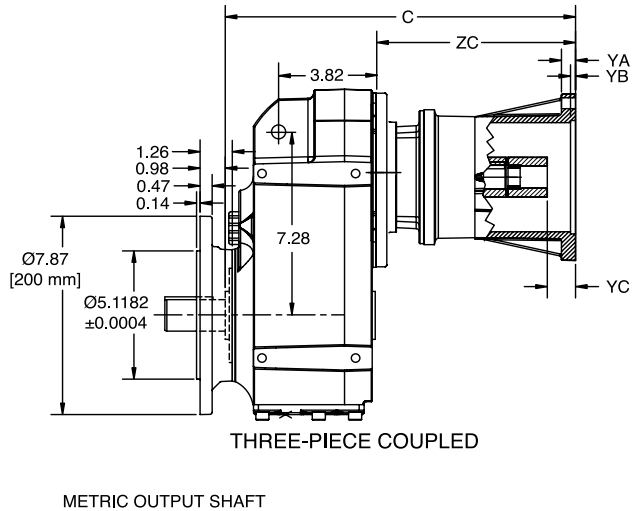
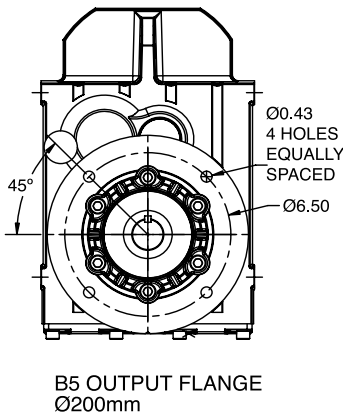
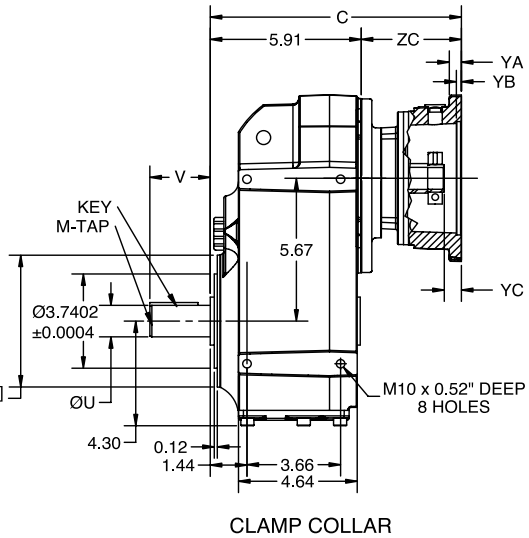
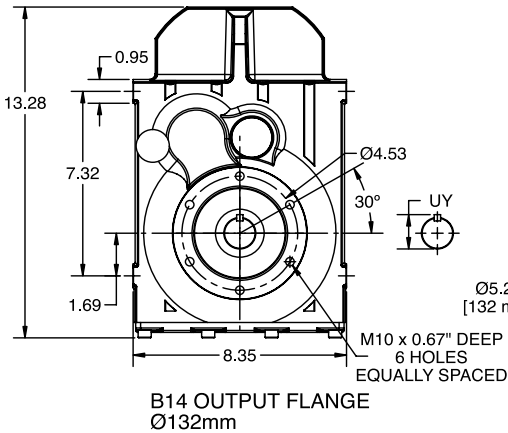
QUANTIS

QUANTIS GOLD

ILH

RHB

MSM



NOMENCLATURE PAGE MSM-4	MOUNTING POSITIONS PAGE MSM-10	STOCK/NON-STOCK PART NUMBERS PAGE MSM-57	WEIGHTS PAGE MSM-250
----------------------------	-----------------------------------	---	-------------------------

DIMENSIONS



MOTORIZED SHAFT MOUNT REDUCER (MSM)

SIZE: MW48

NEMA C-Face - Universal Mounting - Clamp Collar / 3 Piece Coupled
Double/Triple Reduction
Solid Output Shaft

STANDARD SOLID OUTPUT SHAFT

Dimension - Inch/MM

ØU	tol.	UY	V	VO	KEY	M-TAP x DEPTH
1.250	+0.0000 -0.0005	1.37	2.36	-	1/4 x 1/4 x 1-7/8	3/8 - 16 UNC x 0.87
30	+0.015 +0.002	33	60	7	8 x 7 x 50	M10 x 22

OPTIONAL SOLID OUTPUT SHAFT

Dimension - Inch/MM

Ø U	tol.	UY	V	VO	KEY	M-TAP x DEPTH
1.625	+0.0000 -0.0010	1.80	3.15	-	3/8 x 3/8 x 2-5/8	5/8-11 UNC x 1.42
40	+0.018 +0.002	43	80	5	12 x 8 x 70	M16 x 36

NEMA MOTOR ADAPTER - CLAMP COLLAR

Dimension - Inch

	MW48 Double		MW48 Triple		Double / Triple		
	C	ZC	C	ZC	YA	YB	YC
56C	9.15	3.25	9.82	3.92	0.47	0.20	0.67
140TC	9.82	3.92	10.49	4.59	0.47	0.20	0.67
180TC	11.40	5.49	12.07	6.16	0.73	0.22	0.91

NEMA MOTOR ADAPTER - 3 PIECE COUPLED

Dimension - Inch

	MW48 Double		MW48 Triple		Double / Triple		
	C	ZC	C	ZC	YA	YB	YC
56C	12.28	6.38	12.95	7.05	0.55	0.20	1.08
140TC	13.70	7.80	14.37	8.46	0.55	0.20	1.10
180TC	14.99	9.08	15.65	9.74	0.73	0.22	1.65

Refer to page ENGINEERING-2 for Input Shaft and Flange details.

NOMENCLATURE PAGE MSM-4	MOUNTING POSITIONS PAGE MSM-10	STOCK/NON-STOCK PART NUMBERS PAGE MSM-57	WEIGHTS PAGE MSM-250
----------------------------	-----------------------------------	---	-------------------------

DIMENSIONS



MOTORIZED SHAFT MOUNT REDUCER (MSM) IEC D Flange (B5 Input) - Universal Mounting - Clamp Collar / 3 Piece Coupled Double/Triple Reduction Solid Output Shaft

SIZE: MW48

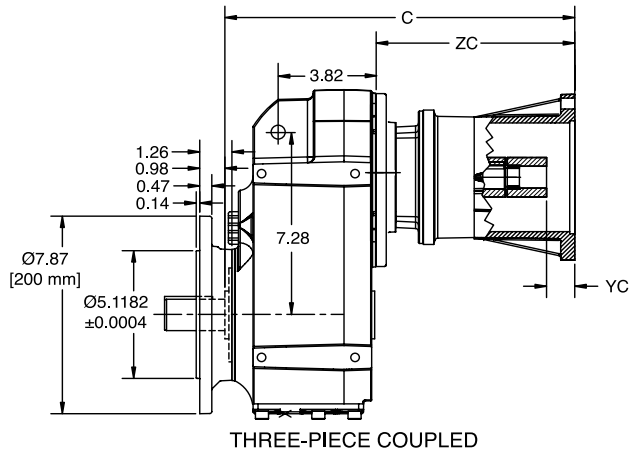
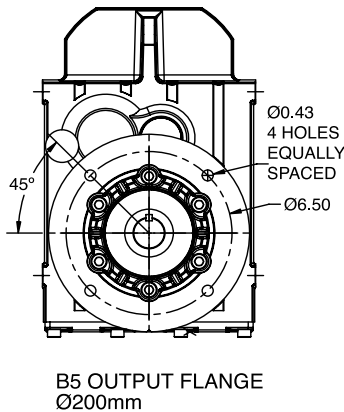
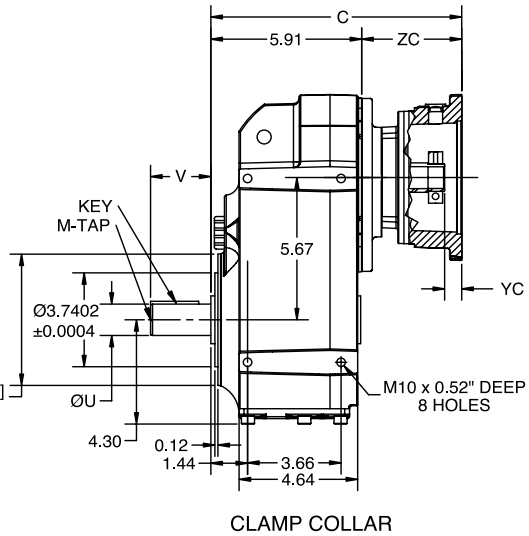
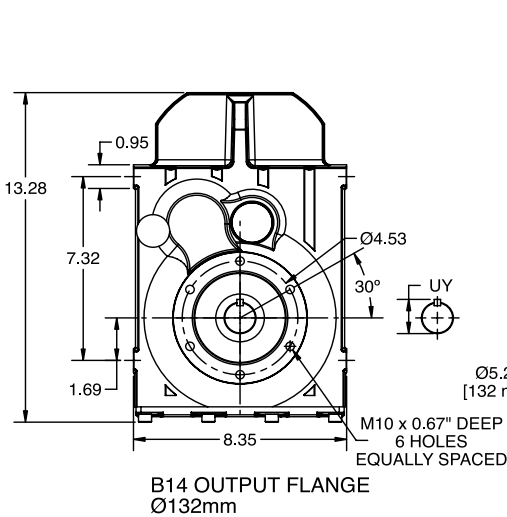
QUANTIS

QUANTIS GOLD

ILH

RHB

MSM



METRIC OUTPUT SHAFT



NOMENCLATURE PAGE MSM-4	MOUNTING POSITIONS PAGE MSM-10	STOCK/NON-STOCK PART NUMBERS PAGE MSM-57	WEIGHTS PAGE MSM-250
----------------------------	-----------------------------------	---	-------------------------

DIMENSIONS



MOTORIZED SHAFT MOUNT REDUCER (MSM)

SIZE: MW48

IEC D Flange (B5 Input) - Universal Mounting - Clamp Collar / 3 Piece Coupled
Double/Triple Reduction
Solid Output Shaft

STANDARD SOLID OUTPUT SHAFT

Dimension - Inch/MM

ØU	tol.	UY	V	VO	KEY	M-TAP x DEPTH
1.250	+0.0000 -0.0005	1.37	2.36	-	1/4 x 1/4 x 1-7/8	3/8 - 16 UNC x 0.87
30	+0.015 +0.002	33	60	7	8 x 7 x 50	M10 x 22

OPTIONAL SOLID OUTPUT SHAFT

Dimension - Inch/MM

ØU	tol.	UY	V	VO	KEY	M-TAP x DEPTH
1.625	+0.0000 -0.0010	1.80	3.15	-	3/8 x 3/8 x 2-5/8	5/8-11 UNC x 1.42
40	+0.018 +0.002	43	80	5	12 x 8 x 70	M16 x 36

IEC MOTOR ADAPTER - CLAMP COLLAR

Dimension - Inch

	MW48 Double		MW48 Triple		Double/Triple
	C	ZC	C	ZC	YC
71D	8.44	2.54	9.11	3.21	0.16
80D	9.39	3.48	10.06	4.15	0.61
90D	9.39	3.48	10.06	4.15	0.61
100D	9.69	3.78	10.35	4.45	0.28
112D	10.02	4.11	-	-	0.28

IEC MOTOR ADAPTER - 3 PIECE COUPLED

Dimension - Inch

	MW38 Double		MW38 Triple		Double/Triple
	C	ZC	C	ZC	YC
80D	13.62	7.72	14.29	8.39	0.59
90D	13.62	7.72	14.29	8.39	1.02
100D	14.51	8.60	15.18	9.27	1.18
112D	14.47	8.56	-	-	1.18

Refer to page ENGINEERING-3 for Input Shaft and Flange details.

NOMENCLATURE PAGE MSM-4	MOUNTING POSITIONS PAGE MSM-10	STOCK/NON-STOCK PART NUMBERS PAGE MSM-57	WEIGHTS PAGE MSM-250
----------------------------	-----------------------------------	---	-------------------------

DIMENSIONS



MOTORIZED SHAFT MOUNT REDUCER (MSM)

SIZE: MW48

Separate - Universal Mounting
Double/Triple Reduction
Solid Output Shaft

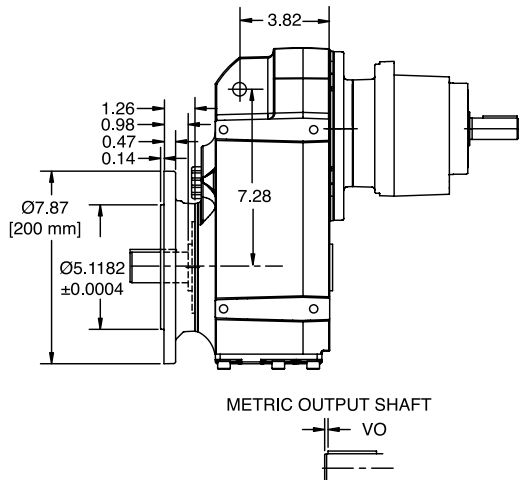
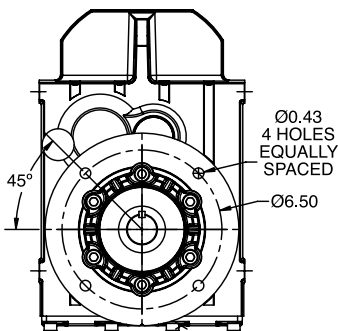
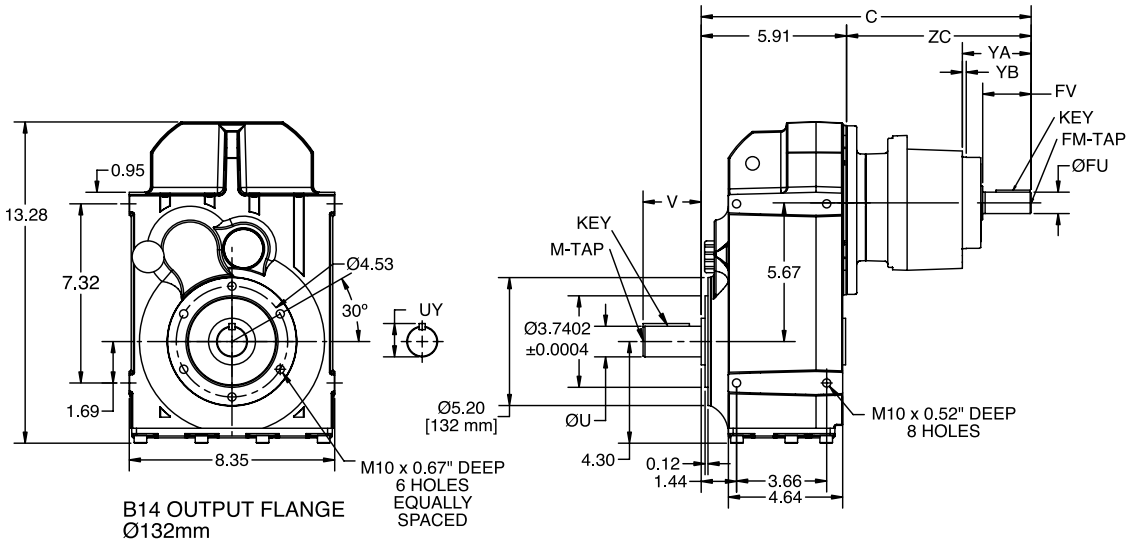
QUANTIS

QUANTIS GOLD

ILH

RHB

MSM



NOMENCLATURE
PAGE MSM-4

MOUNTING POSITIONS
PAGE MSM-10

STOCK/NON-STOCK PART NUMBERS
PAGE MSM-57

WEIGHTS
PAGE MSM-250

DIMENSIONS



MOTORIZED SHAFT MOUNT REDUCER (MSM)

SIZE: MW48

Separate - Universal Mounting
Double/Triple Reduction
Solid Output Shaft

STANDARD SOLID OUTPUT SHAFT

Dimension - Inch/MM

ØU	tol.	UY	V	VO	KEY	M-TAP x DEPTH
1.250	+0.0000 -0.0005	1.37	2.36	-	1/4 x 1/4 x 1-7/8	3/8 - 16 UNC x 0.87
30	+0.015 +0.002	33	60	7	8 x 7 x 50	M10 x 22

OPTIONAL SOLID OUTPUT SHAFT

Dimension - Inch/MM

ØU	tol.	UY	V	VO	KEY	M-TAP x DEPTH
1.625	+0.0000 -0.0010	1.80	3.15	-	3/8 x 3/8 x 2-5/8	5/8-11 UNC x 1.42
40	+0.018 +0.002	43	80	5	12 x 8 x 70	M16 x 36

SEPARATE INPUT

Dimension - Inch/MM

	MW48 Double		MW48 Triple		DOUBLE/ TRIPLE							
	C	ZC	C	ZC	FO	FM x Depth	ØFU	tol.	FV	YA	YB	Key
71	11.63	5.73	12.30	6.40	---	8-32 UNC x 0.49	0.625	+0.0000 -0.0005	1.57	2.40	0.16	3/16 x 3/16 x 1-5/16
	296	146	313	163	4	M5 x 12.5	16	+0.012 +0.001	40			5 x 5 x 32
80	13.01	7.11	13.68	7.78	---	1/4-20 UNC x 0.63	0.750	+0.0000 -0.0005	1.57	2.40	0.16	3/16 x 3/16 x 1-5/16
	331	181	348	198	4	M6 x 16	19	+0.015 +0.002	40			6 x 6 x 32
90	13.41	7.50	14.07	8.17	---	5/16-18 UNC x 0.75	0.875	+0.0000 -0.0005	1.97	2.80	0.16	3/16 x 3/16 x 1-5/8
	341	191	358	208	5	M8 x 19	24	+0.015 +0.002	50			8 x 7 x 40
100	14.04	8.13	14.70	8.80	---	3/8 -16 UNC x 0.87	1.125	+0.0000 -0.0005	2.36	3.27	0.16	1/4 x 1/4 x 2
	357	207	374	224	5	M10 x 22	28	+0.015 +0.002	60			8 x 7 x 50
112	14.07	8.17	---	---	---	3/8-16 UNC x 0.87	1.250	+0.0000 -0.0005	2.36	3.27	0.16	1/4 x 1/4 x 2
	358	208	---	---	5	M10 x 22	28	+0.015 +0.002	60			8 x 7 x 50

Refer to page ENGINEERING-4 for Input Shaft and Flange details.

NOMENCLATURE PAGE MSM-4	MOUNTING POSITIONS PAGE MSM-10	STOCK/NON-STOCK PART NUMBERS PAGE MSM-57	WEIGHTS PAGE MSM-250
----------------------------	-----------------------------------	---	-------------------------

DIMENSIONS



MOTORIZED SHAFT MOUNT REDUCER (MSM)

SIZE: MW48

Integral Gearmotor - Universal Mounting
 Double/Triple Reduction
 Solid Output Shaft

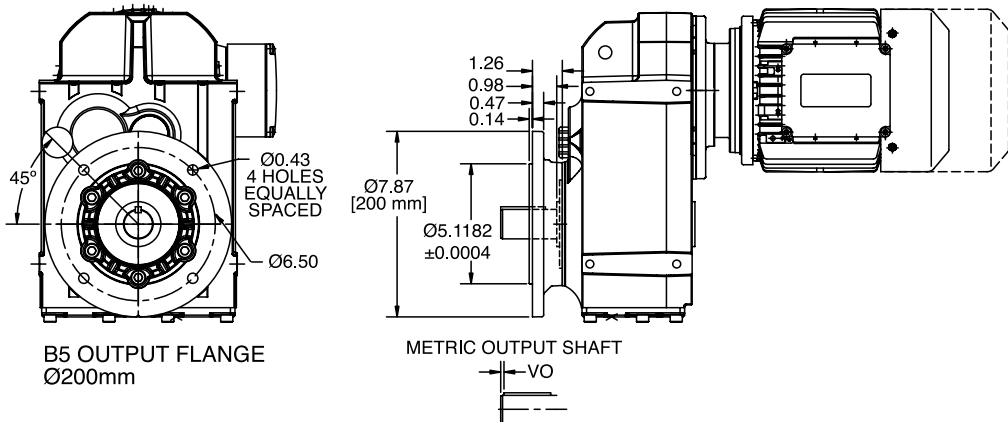
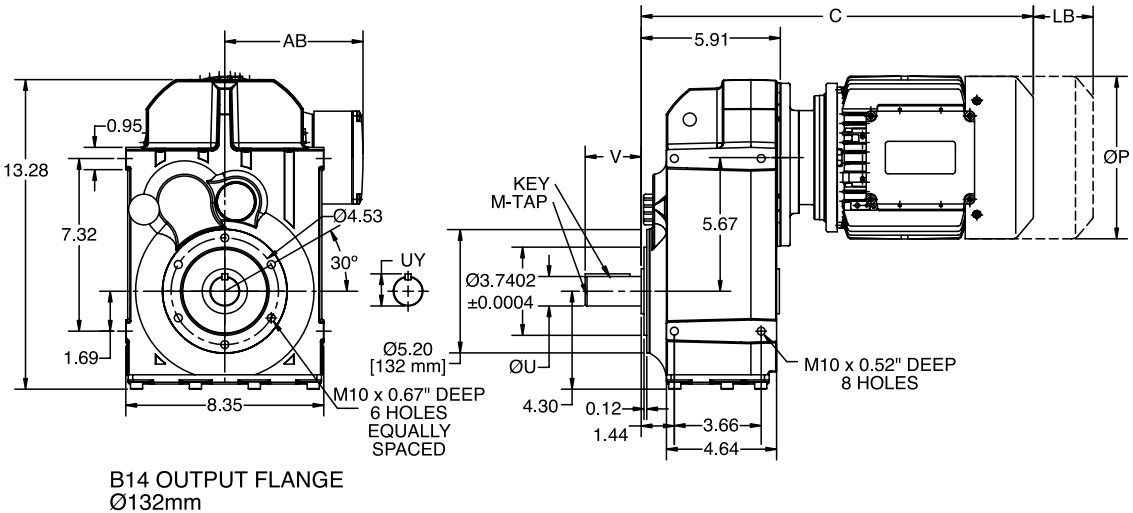
QUANTIS

QUANTIS GOLD

ILH

RHB

MSM



NOMENCLATURE PAGE MSM-4	MOUNTING POSITIONS PAGE MSM-10	STOCK/NON-STOCK PART NUMBERS PAGE MSM-57	WEIGHTS PAGE MSM-250
----------------------------	-----------------------------------	---	-------------------------

DIMENSIONS



MOTORIZED SHAFT MOUNT REDUCER (MSM)

SIZE: MW48

Integral Gearmotor - Universal Mounting
Double/Triple Reduction
Solid Output Shaft

STANDARD SOLID OUTPUT SHAFT

Dimension - Inch/MM

ØU	tol.	UY	V	VO	KEY	M-TAP x DEPTH
1.250	+0.0000 -0.0005	1.37	2.36	-	1/4 x 1/4 x 1-7/8	3/8-16 UNC x 0.87
30	+0.015 +0.002	33	60	7	8 x 7 x 50	M10 x 22

OPTIONAL SOLID OUTPUT SHAFT

Dimension - Inch/MM

ØU	tol.	UY	V	VO	KEY	M-TAP x DEPTH
1.625	+0.0000 -0.0010	1.80	3.15	-	3/8 x 3/8 x 2-5/8	5/8-11 UNC x 1.42
40	+0.018 +0.002	43	80	5	12 x 8 x 70	M16 x 36

MOTOR

Dimension - Inch/MM

Frame	MW48 Double		MW48 Triple		P	AB
	C	LB	C	LB		
71C4 / 71D4 / 71E4	16.24	1.81	16.91	1.81	6.19	5.18
	413	46	430	46	158	132
80F4	16.38	2.56	17.05	2.56	6.19	5.12
	417	65	434	65	158	131
80G4	17.88	2.56	18.55	2.56	6.19	5.12
	455	65	472	65	158	131
90H4	17.81	2.52	18.48	2.52	7.19	5.79
	453	64	470	64	183	148
90I4	18.69	2.52	19.36	2.52	7.19	5.79
	475	64	492	64	183	148
100J4	20.7	2.91	21.36	2.52	7.19	5.79
	526	74	543	64	183	148
112L4	22.4	2.91	-	-	8.6	6.88
	569	74	-	-	219	175

NOMENCLATURE PAGE MSM-4	MOUNTING POSITIONS PAGE MSM-10	STOCK/NON-STOCK PART NUMBERS PAGE MSM-57	WEIGHTS PAGE MSM-250
----------------------------	-----------------------------------	---	-------------------------

DIMENSIONS



QUANTIS

QUANTIS GOLD

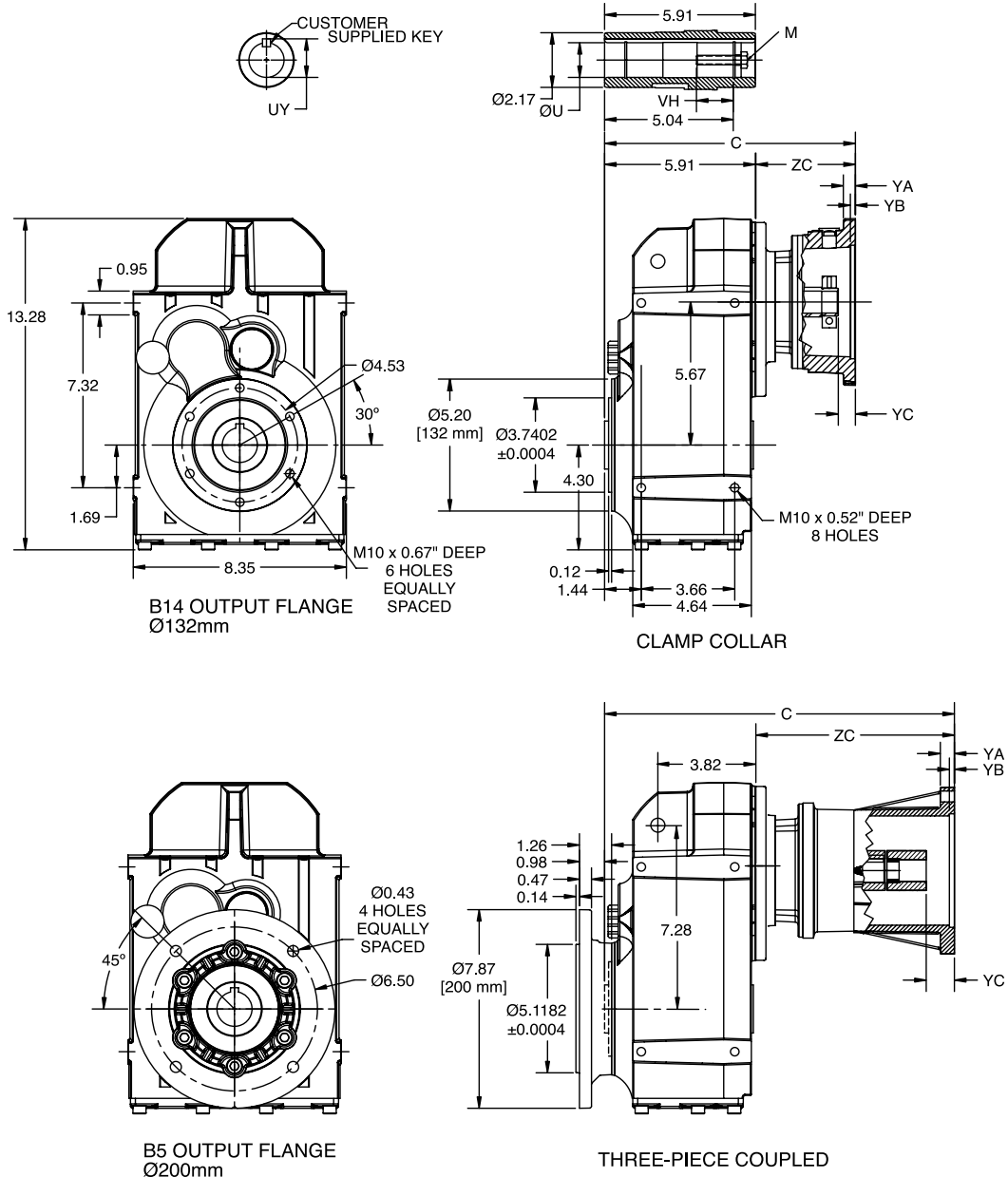
ILH

RHB

MSM

MOTORIZED SHAFT MOUNT REDUCER (MSM) NEMA C-Face - Universal Mounting - Clamp Collar / 3 Piece Coupled Double/Triple Reduction Straight Hollow Bore Output Shaft

SIZE: MW48



NOMENCLATURE
PAGE MSM-4

MOUNTING POSITIONS
PAGE MSM-10

STOCK/NON-STOCK PART NUMBERS
PAGE MSM-57

WEIGHTS
PAGE MSM-250

DIMENSIONS



MOTORIZED SHAFT MOUNT REDUCER (MSM) NEMA C-Face - Universal Mounting - Clamp Collar / 3 Piece Coupled Double/Triple Reduction Straight Hollow Bore Output Shaft

SIZE: MW48

STANDARD HOLLOW OUTPUT SHAFT

Dimension - Inch/MM

ØU	tol.	UY	VH	KEY	M
1.375	+0.0010 +0.0004	1.68	1.45	5/16 x 5/16 x 2-3/16	3/8-16 x 1-3/4 UNC
35	+0.025 +0.009	38	43	10 x 8 x 45	M12 x 50

OPTIONAL HOLLOW OUTPUT SHAFT

Dimension - MM

ØU	tol.	UY	VH	KEY (H)	M
40	+0.025 +0.009	43	48	12 x 8 x 50	M16 x 60

NEMA MOTOR ADAPTER - CLAMP COLLAR

Dimension - Inch

	MW48 Double		MW48 Triple		Double / Triple		
	C	ZC	C	ZC	YA	YB	YC
56C	9.15	3.25	9.82	3.92	0.47	0.20	0.67
140TC	9.82	3.92	10.49	4.59	0.47	0.20	0.67
180TC	11.40	5.49	12.07	6.16	0.73	0.22	0.91

NEMA MOTOR ADAPTER - 3 PIECE COUPLED

Dimension - Inch

	MW48 Double		MW48 Triple		Double / Triple		
	C	ZC	C	ZC	YA	YB	YC
56C	12.28	6.38	12.95	7.05	0.55	0.20	1.08
140TC	13.70	7.80	14.37	8.46	0.55	0.20	1.10
180TC	14.99	9.08	15.65	9.74	0.73	0.22	1.65

Refer to page ENGINEERING-2 for Input Shaft and Flange details.

Refer to page ENGINEERING-8 and ENGINEERING-9 for driven shaft dimensions.

Refer to page MSM-229 for Twin Tapered Bushing details.

NOMENCLATURE PAGE MSM-4	MOUNTING POSITIONS PAGE MSM-10	STOCK/NON-STOCK PART NUMBERS PAGE MSM-57	WEIGHTS PAGE MSM-250
----------------------------	-----------------------------------	---	-------------------------

DIMENSIONS



QUANTIS

QUANTIS GOLD

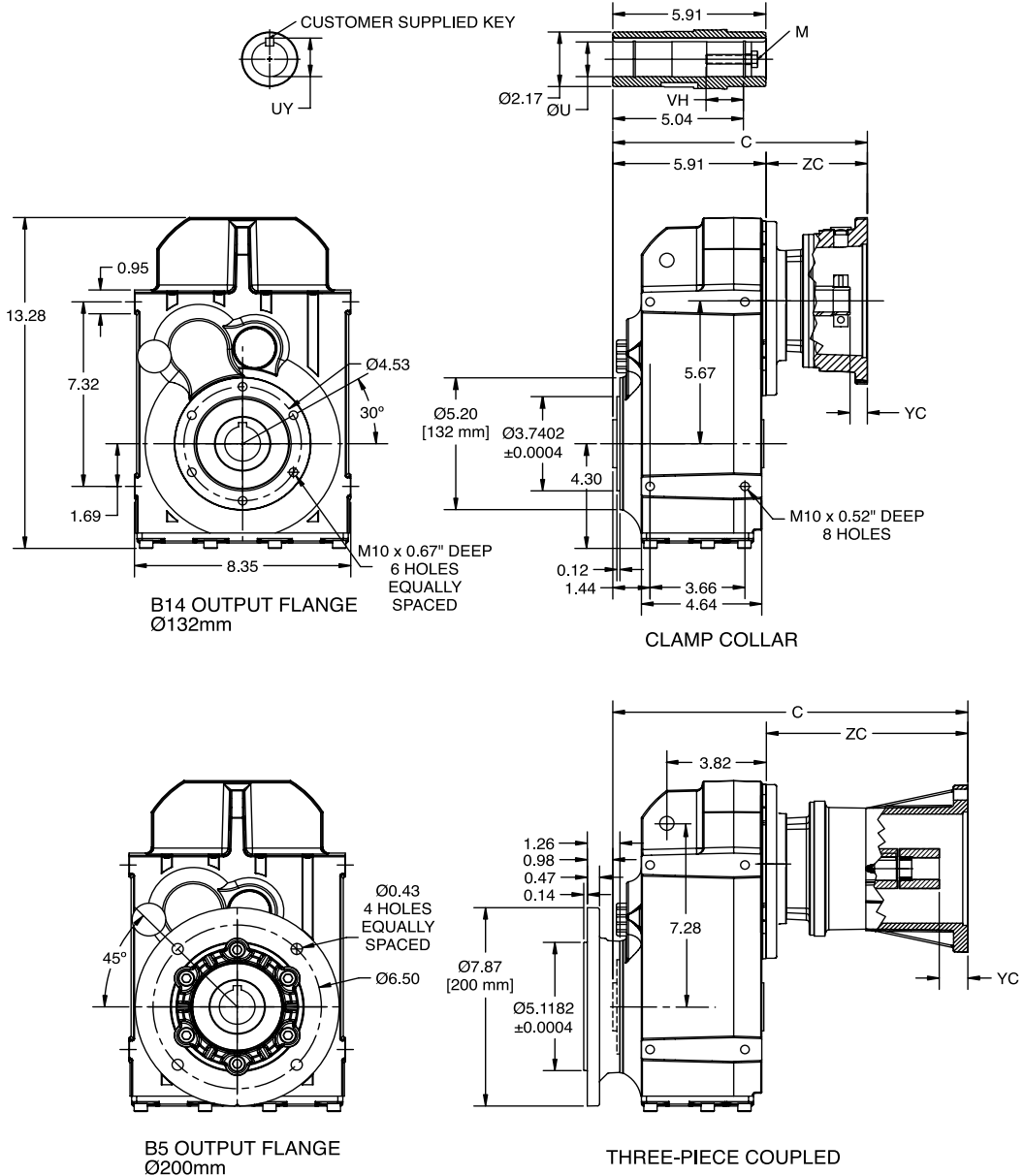
ILH

RHB

MSM

MOTORIZED SHAFT MOUNT REDUCER (MSM) IEC D Flange (B5 Input) - Universal Mounting - Clamp Collar / 3 Piece Coupled Double/Triple Reduction Straight Hollow Bore Output Shaft

SIZE: MW48



NOMENCLATURE PAGE MSM-4	MOUNTING POSITIONS PAGE MSM-10	STOCK/NON-STOCK PART NUMBERS PAGE MSM-57	WEIGHTS PAGE MSM-250
----------------------------	-----------------------------------	---	-------------------------

DIMENSIONS



MOTORIZED SHAFT MOUNT REDUCER (MSM)

SIZE: MW48

IEC D Flange (B5 Input) - Universal Mounting - Clamp Collar / 3 Piece Coupled
Double/Triple Reduction
Straight Hollow Bore Output Shaft

STANDARD HOLLOW OUTPUT SHAFT

Dimension - Inch/MM

ØU	tol.	UY	VH	KEY)	M
1.375	+0.0010 +0.0004	1.68	1.45	5/16 x 5/16 x 2-3/16	3/8-16 x 1-3/4 UNC
35	+0.025 +0.009	38	43	10 x 8 x 45	M12 x 50

OPTIONAL HOLLOW OUTPUT SHAFT

Dimension - MM

ØU	tol.	UY	VH	KEY	M
40	+0.025 +0.009	43	48	12 x 8 x 50	M16 x 60

IEC MOTOR ADAPTER - CLAMP COLLAR

Dimension - Inch

	MW48 Double		MW48 Triple		Double/Triple
	C	ZC	C	ZC	YC
71D	8.44	2.54	9.11	3.21	0.16
80D	9.39	3.48	10.06	4.15	0.61
90D	9.39	3.48	10.06	4.15	0.61
100D	9.69	3.78	10.35	4.45	0.28
112D	10.02	4.11	-	-	0.28

IEC MOTOR ADAPTER - 3 PIECE COUPLED

Dimension - Inch

	MW48 Double		MW48 Triple		Double/Triple
	C	ZC	C	ZC	YC
80D	13.62	7.72	14.29	8.39	0.59
90D	13.62	7.72	14.29	8.39	1.02
100D	14.51	8.60	15.18	9.27	1.18
112D	14.47	8.56	-	-	1.18

Refer to page ENGINEERING-3 for Input Shaft and Flange details.

Refer to page ENGINEERING-8 and ENGINEERING-9 for driven shaft dimensions.

Refer to page MSM-229 for Twin Tapered Bushing details.

NOMENCLATURE PAGE MSM-4	MOUNTING POSITIONS PAGE MSM-10	STOCK/NON-STOCK PART NUMBERS PAGE MSM-57	WEIGHTS PAGE MSM-250
----------------------------	-----------------------------------	---	-------------------------

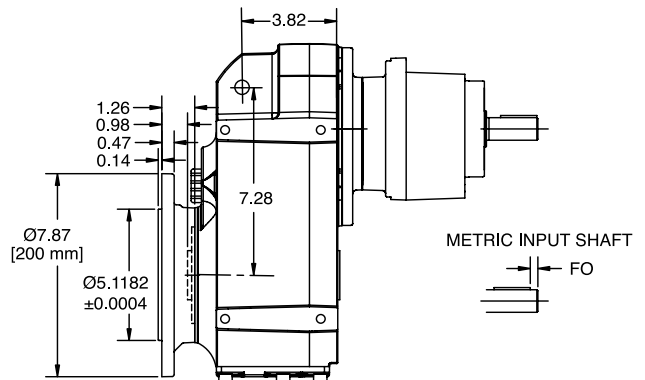
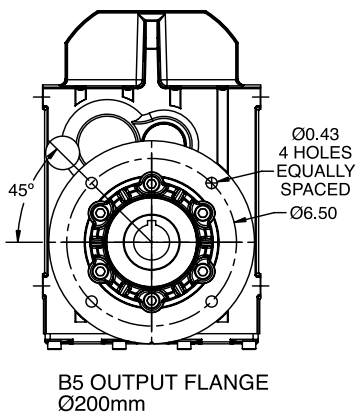
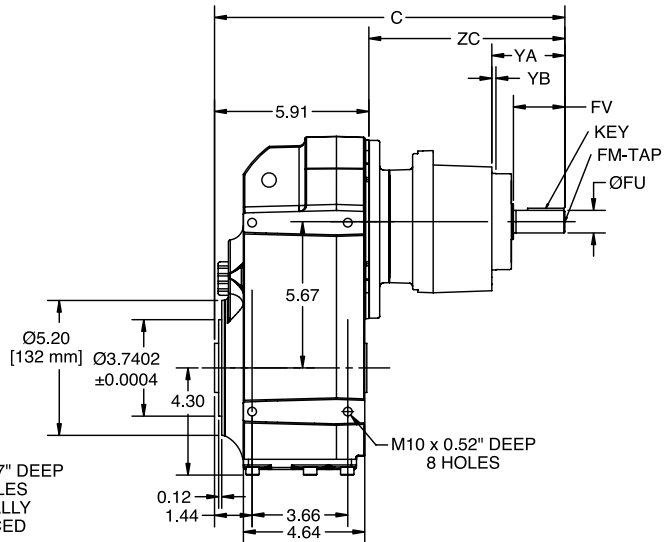
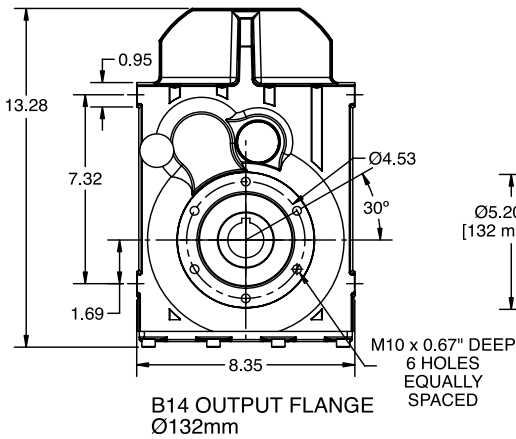
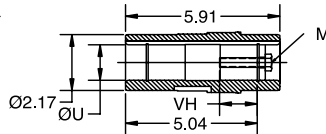
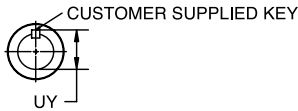
DIMENSIONS



MOTORIZED SHAFT MOUNT REDUCER (MSM)

SIZE: MW48

Separate - Universal Mounting
 Double/Triple Reduction
 Straight Hollow Bore Output Shaft



NOMENCLATURE
 PAGE MSM-4

MOUNTING POSITIONS
 PAGE MSM-10

STOCK/NON-STOCK PART NUMBERS
 PAGE MSM-57

WEIGHTS
 PAGE MSM-250

DIMENSIONS



MOTORIZED SHAFT MOUNT REDUCER (MSM)

SIZE: MW48

Separate - Universal Mounting
Double/Triple Reduction
Straight Hollow Bore Output Shaft

STANDARD HOLLOW OUTPUT SHAFT

Dimension - Inch/MM

ØU	tol.	UY	VH	KEY	M
1.375	+0.0010 +0.0004	1.68	1.45	5/16 x 5/16 x 2-3/16	3/8-16 x 1-3/4 UNC
35	+0.025 +0.009	38	43	10 x 8 x 45	M12 x 50

OPTIONAL HOLLOW OUTPUT SHAFT

Dimension - MM

ØU	tol.	UY	VH	KEY	M
40	+0.025 +0.009	43	48	12 x 8 x 50	M16 x 60

SEPARATE INPUT

Dimension - Inch/MM

	MW48 Double		MW48 Triple		DOUBLE/ TRIPLE							
	C	ZC	C	ZC	FO	FM x DEPTH	ØFU	tol.	FV	YA	YB	Key
71	11.63	5.73	12.30	6.40	---	8-32 UNC x 0.49	0.625	+0.0000 -0.0005	1.57	2.40	0.16	3/16 x 3/16 x 1-5/16
	296	146	313	163	4	M5 x 12.5	16	+0.012 +0.001	40			5 x 5 x 32
80	13.01	7.11	13.68	7.78	---	1/4-20 UNC x 0.63	0.750	+0.0000 -0.0005	1.57	2.40	0.16	3/16 x 3/16 x 1-5/16
	331	181	348	198	4	M6 x 16	19	+0.015 +0.002	40			6 x 6 x 32
90	13.41	7.50	14.07	8.17	---	5/16-18 UNC x 0.75	0.875	+0.0000 -0.0005	1.97	2.80	0.16	3/16 x 3/16 x 1-5/8
	341	191	358	208	5	M8 x 19	24	+0.015 +0.002	50			8 x 7 x 40
100	14.04	8.13	14.70	8.80	---	3/8 -16 UNC x 0.87	1.125	+0.0000 -0.0005	2.36	3.27	0.16	1/4 x 1/4 x 2
	357	207	374	224	5	M10 x 22	28	+0.015 +0.002	60			8 x 7 x 50
112	14.07	8.17	---	---	---	3/8 -16 UNC x 0.87	1.25	+0.0000 -0.0005	2.36	3.27	0.16	1/4 x 1/4 x 2
	358	208	---	---	5	M10 x 22	28	+0.015 +0.002	60			8 x 7 x 50

Refer to page ENGINEERING-4 for Input Shaft and Flange details.
Refer to page ENGINEERING-8 and ENGINEERING-9 for driven shaft dimensions.
Refer to page MSM-229 for Twin Tapered Bushing details.

NOMENCLATURE PAGE MSM-4	MOUNTING POSITIONS PAGE MSM-10	STOCK/NON-STOCK PART NUMBERS PAGE MSM-57	WEIGHTS PAGE MSM-250
----------------------------	-----------------------------------	---	-------------------------

DIMENSIONS



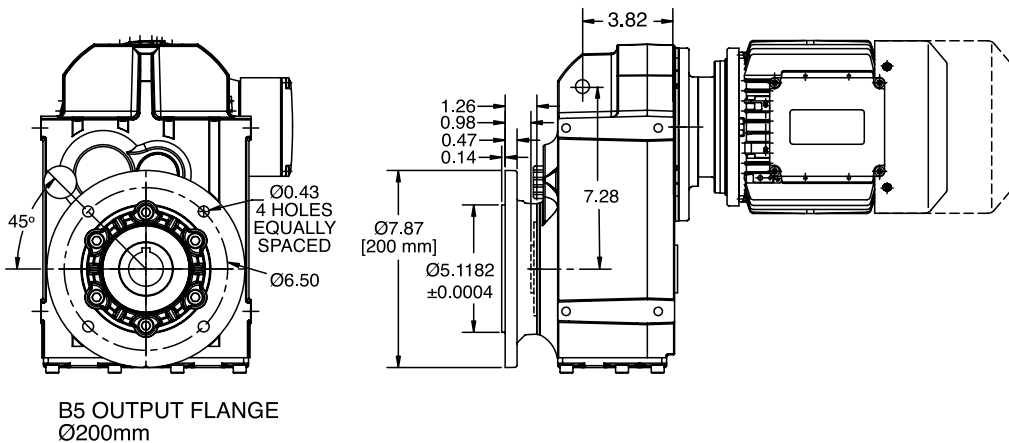
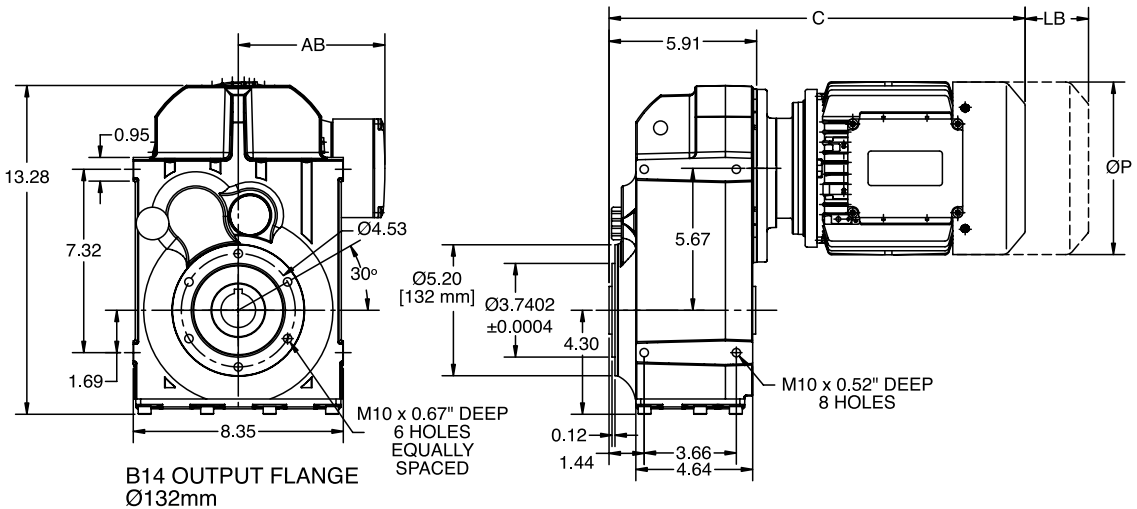
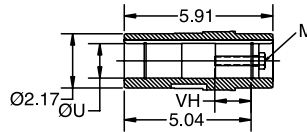
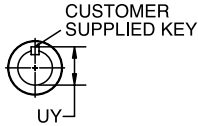
MOTORIZED SHAFT MOUNT REDUCER (MSM)

SIZE: MW48

Integral Gearmotor - Universal Mounting

Double/Triple Reduction

Straight Hollow Bore Output Shaft



NOMENCLATURE
PAGE MSM-4

MOUNTING POSITIONS
PAGE MSM-10

STOCK/NON-STOCK PART NUMBERS
PAGE MSM-57

WEIGHTS
PAGE MSM-250

DIMENSIONS



MOTORIZED SHAFT MOUNT REDUCER (MSM)

SIZE: MW48

Integral Gearmotor - Universal Mounting
 Double/Triple Reduction
 Straight Hollow Bore Output Shaft

STANDARD HOLLOW OUTPUT SHAFT

Dimension - Inch/MM

ØU	tol.	UY	VH	KEY	M
1.375	+0.0010 +0.0004	1.52	1.45	5/16 x 5/16 x 2-3/16	3/8-16 x 1-3/4 UNC
35	+0.025 +0.009	38	43	10 x 8 x 45	M12 x 50

OPTIONAL HOLLOW OUTPUT SHAFT

Dimension - MM

ØU	tol.	UY	VH	KEY	M
40	+0.025 +0.009	43	48	12 X 8 X 50	M16 X 60

MOTOR

Dimension - Inch/MM

Frame	MW48 Double		MW48 Triple		P	AB
	C	LB	C	LB		
71C4 / 71D4 / 71E4	16.24	1.81	16.91	1.81	6.19	5.18
	413	46	430	46	158	132
80F4	16.38	2.56	17.05	2.56	6.19	5.12
	417	65	434	65	158	131
80G4	17.88	2.56	18.55	2.56	6.19	5.12
	455	65	472	65	158	131
90H4	17.81	2.52	18.48	2.52	7.19	5.79
	453	64	470	64	183	148
90I4	18.69	2.52	19.36	2.52	7.19	5.79
	475	64	492	64	183	148
100J4	20.7	2.91	21.36	2.52	7.19	5.79
	526	74	543	64	183	148
112L4	22.4	2.91	-	-	8.6	6.88
	569	74	-	-	219	175

Refer to page ENGINEERING-8 and ENGINEERING-9 for driven shaft dimensions.

Refer to page MSM-229 for Twin Tapered Bushing details.

NOMENCLATURE PAGE MSM-4	MOUNTING POSITIONS PAGE MSM-10	STOCK/NON-STOCK PART NUMBERS PAGE MSM-57	WEIGHTS PAGE MSM-250
----------------------------	-----------------------------------	---	-------------------------

DIMENSIONS



MOTORIZED SHAFT MOUNT REDUCER (MSM) NEMA C-Face - Universal Mounting - Clamp Collar / 3 Piece Coupled Double/Triple Reduction Solid Output Shaft

SIZE: MW68

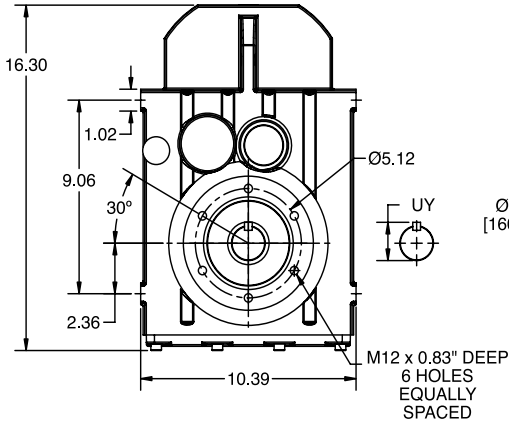
QUANTIS

QUANTIS GOLD

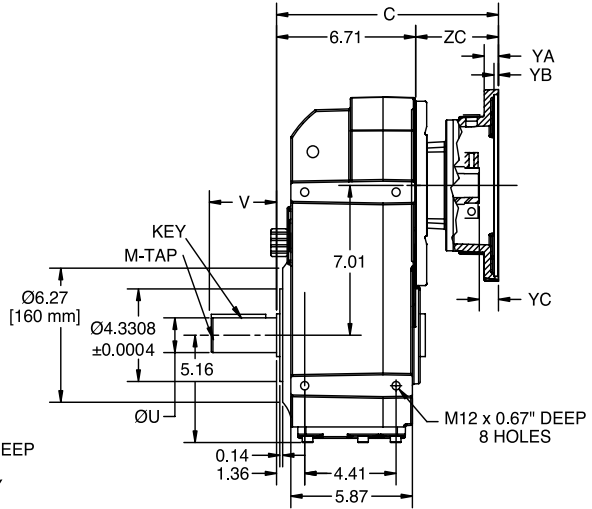
ILH

RHB

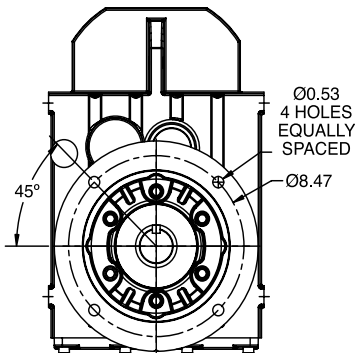
MSM



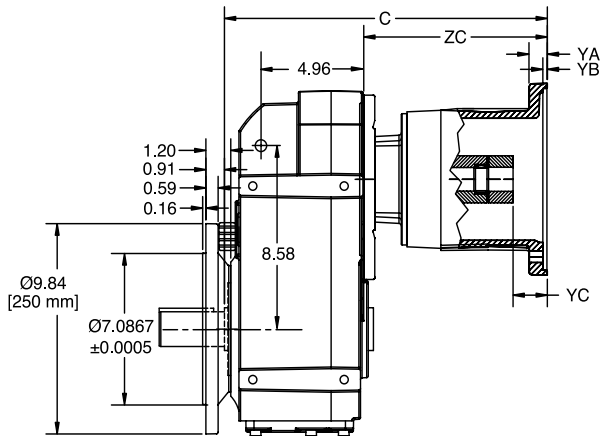
B14 OUTPUT FLANGE
Ø160 mm



CLAMP COLLAR



B5 OUTPUT FLANGE
Ø250 mm



THREE-PIECE COUPLED

METRIC OUTPUT SHAFT



NOMENCLATURE
PAGE MSM-4

MOUNTING POSITIONS
PAGE MSM-10

STOCK/NON-STOCK PART NUMBERS
PAGE MSM-57

WEIGHTS
PAGE MSM-250

DIMENSIONS



MOTORIZED SHAFT MOUNT REDUCER (MSM)

SIZE: MW68

NEMA C-Face - Universal Mounting - Clamp Collar / 3 Piece Coupled
Double/Triple Reduction
Solid Output Shaft

STANDARD SOLID OUTPUT SHAFT

Dimension - Inch/MM

ØU	tol.	UY	V	VO	KEY	M-TAP x DEPTH
1.625	+0.0000 -0.0010	1.80	3.15	-	3/8 x 3/8 x 2-5/8	5/8 -11 UNC x 1.42
40	+0.018 +0.002	43	80	5	12 x 8 x 70	M16 x 36

OPTIONAL SOLID OUTPUT SHAFT

Dimension - Inch/MM

ØU	tol.	UY	V	VO	KEY	M-TAP x DEPTH
2.000	+0.0000 -0.0010	2.22	3.94	-	1/2 x 1/2 x 3-1/4	3/4-10 UNC x 1.65
50	+0.018 +0.002	54	100	10	14 x 9 x 80	M16 x 36

NEMA MOTOR ADAPTER - CLAMP COLLAR

Dimension - Inch

	MW68 Double		MW68 Triple		Double / Triple		
	C	ZC	C	ZC	YA	YB	YC
56C	9.72	3.01	10.45	3.74	0.47	0.20	0.67
140TC	10.39	3.68	11.12	4.41	0.47	0.20	0.67
180TC	11.89	5.18	12.69	5.98	0.73	0.22	0.91
210TC	13.78	7.07	-	-	0.69	0.22	0.89

NEMA MOTOR ADAPTER - 3 PIECE COUPLED

Dimension - Inch

	MW68 Double		MW68 Triple		Double / Triple		
	C	ZC	C	ZC	YA	YB	YC
56C	12.85	6.14	13.58	6.87	0.55	0.20	1.08
140TC	14.27	7.56	15.00	8.29	0.55	0.20	1.10
180TC	15.47	8.76	16.28	9.57	0.73	0.22	1.65
210TC	17.40	10.69	-	-	0.87	0.22	2.01

Refer to page ENGINEERING-2 for Input Shaft and Flange details.

NOMENCLATURE PAGE MSM-4	MOUNTING POSITIONS PAGE MSM-10	STOCK/NON-STOCK PART NUMBERS PAGE MSM-57	WEIGHTS PAGE MSM-250
----------------------------	-----------------------------------	---	-------------------------

DIMENSIONS



MOTORIZED SHAFT MOUNT REDUCER (MSM) IEC D Flange (B5 Input) - Universal Mounting - Clamp Collar / 3 Piece Coupled Double/Triple Reduction Solid Output Shaft

SIZE: MW68

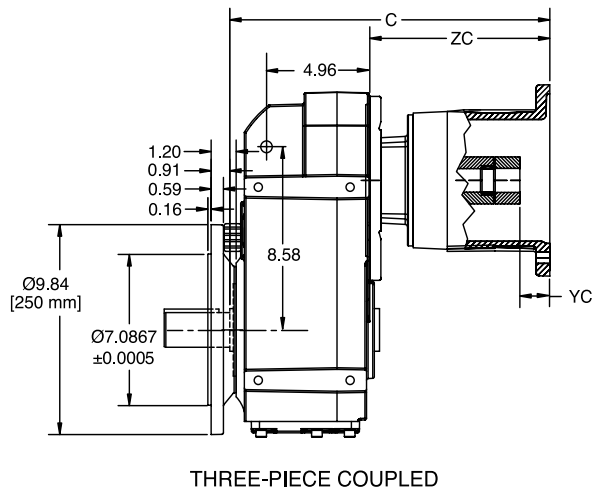
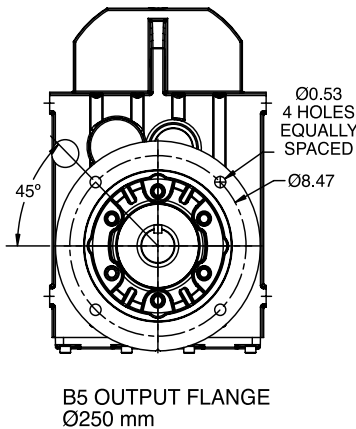
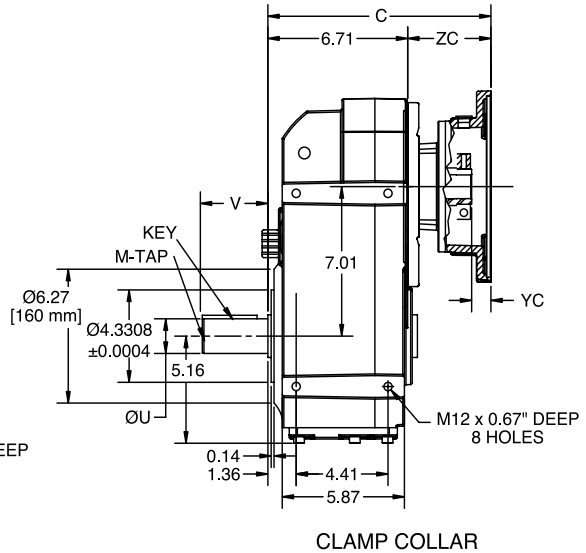
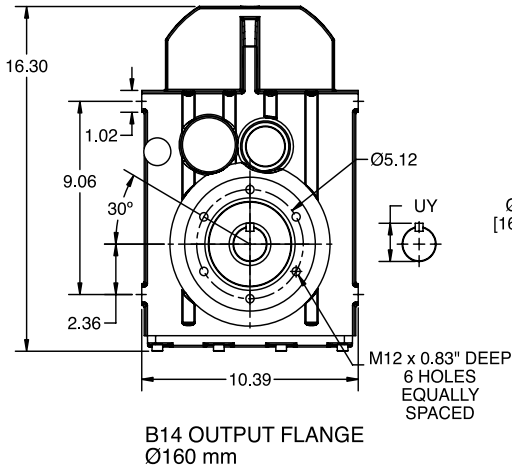
QUANTIS

QUANTIS GOLD

ILH

RHB

MSM



METRIC OUTPUT SHAFT



NOMENCLATURE
PAGE MSM-4

MOUNTING POSITIONS
PAGE MSM-10

STOCK/NON-STOCK PART NUMBERS
PAGE MSM-57

WEIGHTS
PAGE MSM-250

DIMENSIONS



MOTORIZED SHAFT MOUNT REDUCER (MSM)

SIZE: MW68

IEC D Flange (B5 Input) - Universal Mounting - Clamp Collar / 3 Piece Coupled
Double/Triple Reduction
Solid Output Shaft

STANDARD SOLID OUTPUT SHAFT

Dimension - Inch/MM

ØU	tol.	UY	V	VO	KEY	M-TAP x DEPTH
1.625	+0.0000 -0.0010	1.80	3.15	-	3/8 x 3/8 x 2-5/8	5/8 -11 UNC x 1.42
40	+0.018 +0.002	43	80	5	12 x 8 x 70	M16 x 36

OPTIONAL SOLID OUTPUT SHAFT

Dimension - Inch/MM

ØU	tol.	UY	V	VO	KEY	M-TAP x DEPTH
2.000	+0.0000 -0.0010	2.22	3.94	-	1/2 x 1/2 x 3-1/4	3/4-10 UNC x 1.65
50	+0.018 +0.002	54	100	10	14 x 9 x 80	M16 x 36

IEC MOTOR ADAPTER - CLAMP COLLAR

Dimension - Inch

	MW68 Double		MW68 Triple		Double/Triple
	C	ZC	C	ZC	YC
71D	9.02	2.30	9.74	3.03	0.16
80D	9.96	3.25	10.69	3.98	0.61
90D	9.96	3.25	10.69	3.98	0.61
100D	10.26	3.54	10.98	4.27	0.28
112D	10.51	3.80	-	-	0.28
132D	12.13	5.41	-	-	0.87

IEC MOTOR ADAPTER - 3 PIECE COUPLED

Dimension - Inch

	MW68 Double		MW68 Triple		Double/Triple
	C	ZC	C	ZC	YC
80D	14.19	7.48	14.92	8.21	0.59
90D	14.19	7.48	14.92	8.21	1.02
100D	15.08	8.37	15.81	9.09	1.18
112D	14.96	8.25	-	-	1.18
132D	17.38	10.67	-	-	1.77

Refer to page ENGINEERING-3 for Input Shaft and Flange details.

NOMENCLATURE PAGE MSM-4	MOUNTING POSITIONS PAGE MSM-10	STOCK/NON-STOCK PART NUMBERS PAGE MSM-57	WEIGHTS PAGE MSM-250
----------------------------	-----------------------------------	---	-------------------------

DIMENSIONS



MOTORIZED SHAFT MOUNT REDUCER (MSM)

SIZE: MW68

Separate - Universal Mounting
Double/Triple Reduction
Solid Output Shaft

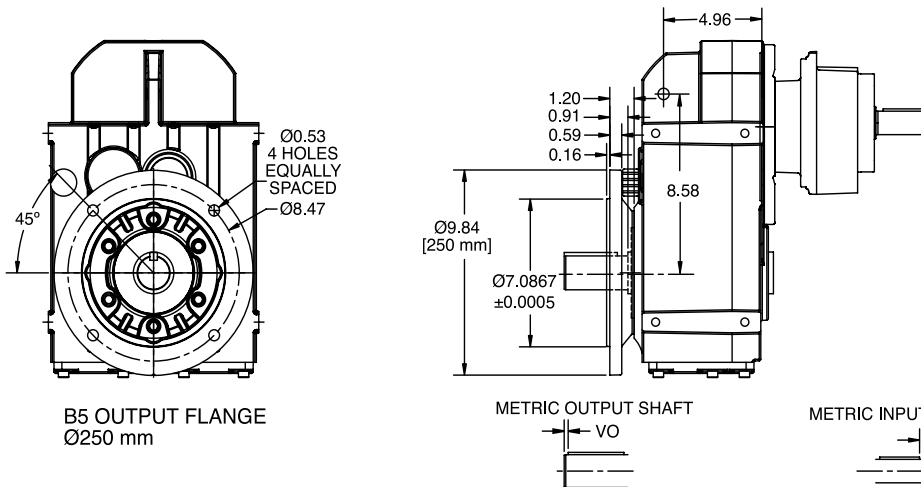
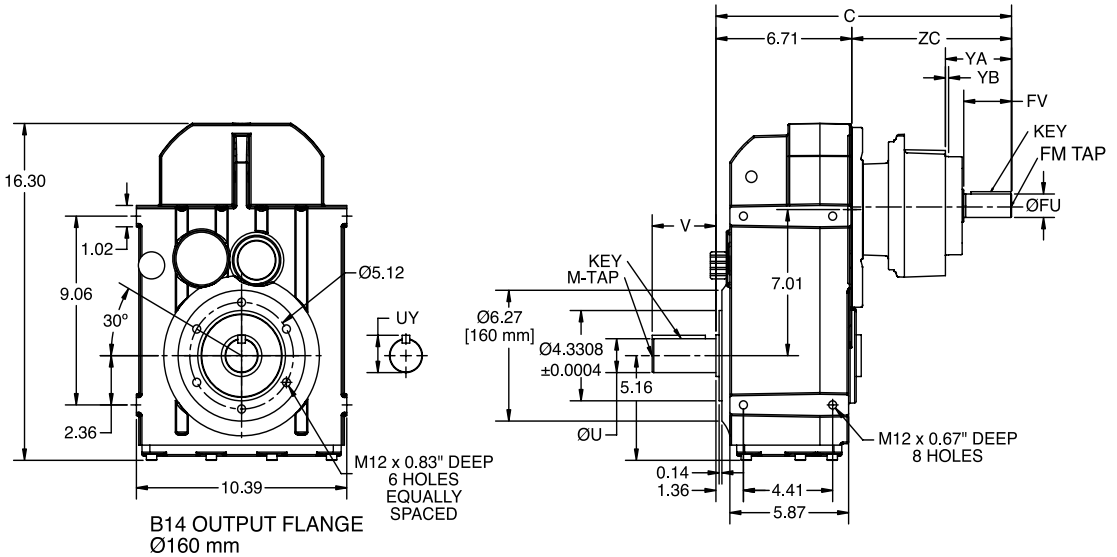
QUANTIS

QUANTIS GOLD

ILH

RHB

MSM



NOMENCLATURE
PAGE MSM-4

MOUNTING POSITIONS
PAGE MSM-10

STOCK/NON-STOCK PART NUMBERS
PAGE MSM-57

WEIGHTS
PAGE MSM-250

DIMENSIONS



MOTORIZED SHAFT MOUNT REDUCER (MSM)

SIZE: MW68

Separate - Universal Mounting
Double/Triple Reduction
Solid Output Shaft

STANDARD SOLID OUTPUT SHAFT

Dimension - Inch/MM

ØU	tol.	UY	V	VO	KEY	M-TAP x DEPTH
1.625	+0.0000 -0.0010	1.80	3.15	-	3/8 x 3/8 x 2-5/8	5/8 -11 UNC x 1.42
40	+0.018 +0.002	43	80	5	12 x 8 x 70	M16 x 36

OPTIONAL SOLID OUTPUT SHAFT

Dimension - Inch/MM

ØU	tol.	UY	V	VO	KEY	M-TAP x DEPTH
2.000	+0.0000 -0.0010	2.22	3.94	-	1/2 x 1/2 x 3-1/4	3/4-10 UNC x 1.65
50	+0.018 +0.002	54	100	10	14 x 9 x 80	M16 x 36

SEPARATE INPUT

Dimension - Inch/MM

	MW68 Double		MW68 Triple		DOUBLE/ TRIPLE							
	C	ZC	C	ZC	FO	FM x DEPTH	ØFU	tol.	FV	YA	YB	Key
71	12.20	5.49	12.93	6.22	---	8-32 UNC x 0.49	0.625	+0.0000 -0.0005	1.57	2.40	0.16	3/16 x 3/16 x 1-5/16
	310	140	329	158	4	M5 x 12.5	16	+0.012 +0.001	40			5 x 5 x 32
80	13.58	6.87	14.31	7.60	---	1/4-20 UNC x 0.63	0.750	+0.0000 -0.0005	1.57	2.40	0.16	3/16 x 3/16 x 1-5/16
	345	175	364	193	4	M6 x 16	19	+0.015 +0.002	40			6 x 6 x 32
90	13.98	7.26	14.70	7.99	---	5/16-18 UNC x 0.75	0.875	+0.0000 -0.0005	1.97	2.80	0.16	3/16 x 3/16 x 1-5/8
	355	185	374	203	5	M8 x 19	24	+0.015 +0.002	50			8 x 7 x 40
100	14.61	7.89	15.33	8.62	---	3/8 -16 UNC x 0.87	1.125	+0.0000 -0.0005	2.36	3.27	0.16	1/4 x 1/4 x 2
	371	201	390	219	5	M10 x 22	28	+0.015 +0.002	60			8 x 7 x 50
112	14.57	7.85	---	---	---	3/8 -16 UNC x 0.87	1.250	+0.0000 -0.0005	2.36	3.27	0.16	1/4 x 1/4 x 2
	370	200	---	---	5	M10 x 22	28	+0.015 +0.002	60			8 x 7 x 50
132	17.89	11.18	---	---	---	3/8-16 UNC x 1.10	1.375	+0.0000 -0.0005	3.15	6.61	0.14	5/16 x 5/16 x 2-3/4
	455	284	---	---	5	M12 x 28	38	+0.018 +0.002	80			10 x 8 x 70

Refer to page ENGINEERING-4 for Input Shaft and Flange details.

NOMENCLATURE PAGE MSM-4	MOUNTING POSITIONS PAGE MSM-10	STOCK/NON-STOCK PART NUMBERS PAGE MSM-57	WEIGHTS PAGE MSM-250
----------------------------	-----------------------------------	---	-------------------------

DIMENSIONS



MOTORIZED SHAFT MOUNT REDUCER (MSM)

SIZE: MW68

Integral Gearmotor - Universal Mounting
 Double/Triple Reduction
 Solid Output Shaft

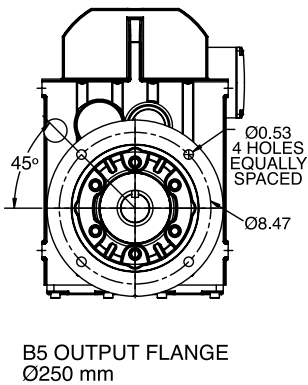
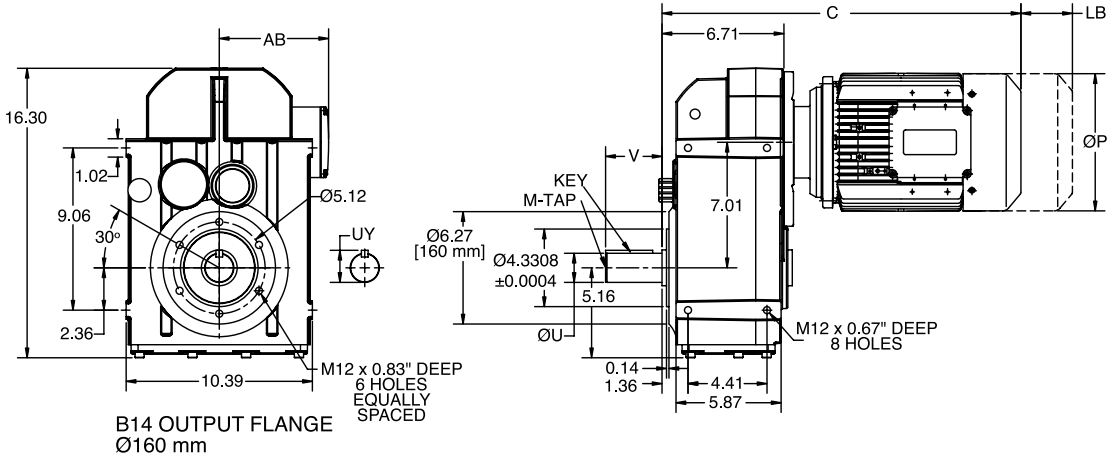
QUANTIS

QUANTIS GOLD

ILH

RHB

MSM



NOMENCLATURE
 PAGE MSM-4

MOUNTING POSITIONS
 PAGE MSM-10

STOCK/NON-STOCK PART NUMBERS
 PAGE MSM-57

WEIGHTS
 PAGE MSM-250

DIMENSIONS



MOTORIZED SHAFT MOUNT REDUCER (MSM)

SIZE: MW68

Integral Gearmotor - Universal Mounting
Double/Triple Reduction
Solid Output Shaft

STANDARD SOLID OUTPUT SHAFT

Dimension - Inch/MM

ØU	tol.	UY	V	VO	KEY	M-TAP x DEPTH
1.625	+0.0000 -0.0010	1.80	3.15	-	3/8 x 3/8 x 2-5/8	5/8-11 UNC x 1.42
40	+0.018 +0.002	43	80	5	12 x 8 x 70	M16 x 36

OPTIONAL SOLID OUTPUT SHAFT

Dimension - Inch/MM

ØU	tol.	UY	V	VO	KEY	M-TAP x DEPTH
2.000	+0.0000 -0.0010	2.22	3.94	-	1/2 x 1/2 x 3-1/4	3/4-10 UNC x 1.65
50	+0.018 +0.002	54	100	10	14 x 9 x 80	M16 x 36

MOTOR

Dimension - Inch/MM

Frame	MW68 Double		MW68 Triple		P	AB
	C	LB	C	LB		
71C4 / 71D4 / 71E4	16.8	1.81	17.53	1.81	6.19	5.18
	427	46	446	46	158	132
80F4	16.95	2.56	17.68	2.56	6.19	5.12
	431	65	450	65	158	131
80G4	18.45	2.56	19.18	2.56	6.19	5.12
	46	65	488	65	158	131
90H4	18.38	2.52	19.1	2.52	7.19	5.79
	467	64	486	64	183	148
90I4	19.26	2.52	19.99	2.52	7.19	5.79
	490	64	508	64	183	148
100J4	21.26	2.91	21.99	2.91	7.19	5.79
	541	74	559	74	183	148
112L4	22.91	2.91	-	-	8.6	6.88
	582	74	-	-	219	175
132M4	24.47	3.9	-	-	10.28	8.09
	622	99	-	-	262	206
132N4	25.97	3.9	-	-	10.28	8.09
	660	99	-	-	262	206

NOMENCLATURE PAGE MSM-4	MOUNTING POSITIONS PAGE MSM-10	STOCK/NON-STOCK PART NUMBERS PAGE MSM-57	WEIGHTS PAGE MSM-250
----------------------------	-----------------------------------	---	-------------------------

DIMENSIONS



QUANTIS

QUANTIS GOLD

ILH

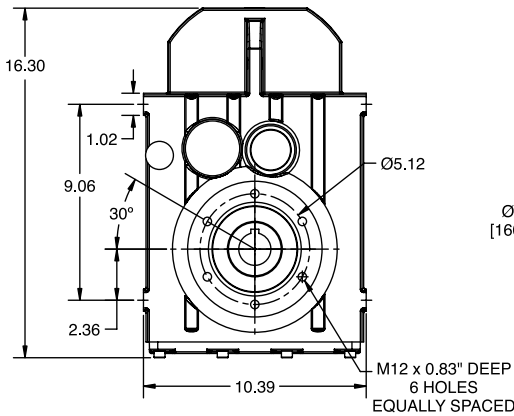
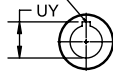
RHB

MSM

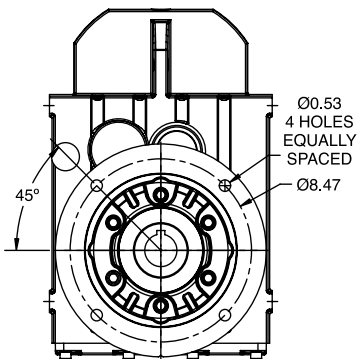
MOTORIZED SHAFT MOUNT REDUCER (MSM) NEMA C-Face - Universal Mounting - Clamp Collar / 3 Piece Coupled Double/Triple Reduction Straight Hollow Bore Output Shaft

SIZE: MW68

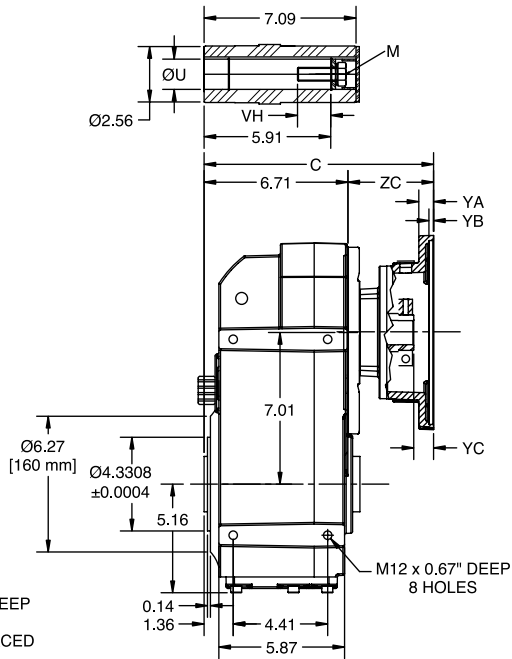
CUSTOMER SUPPLIED KEY



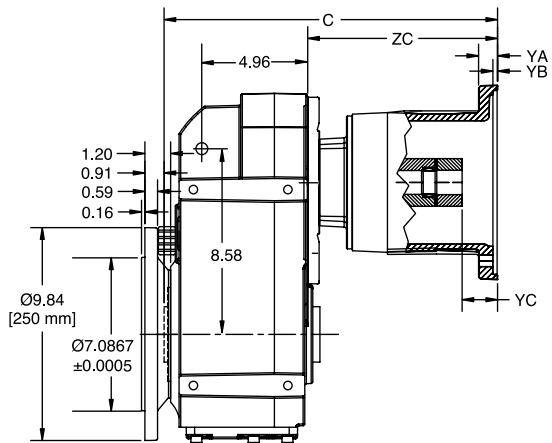
B14 OUTPUT FLANGE
Ø160 mm



B5 OUTPUT FLANGE
Ø250 mm



CLAMP COLLAR



THREE-PIECE COUPLED

NOMENCLATURE PAGE MSM-4	MOUNTING POSITIONS PAGE MSM-10	STOCK/NON-STOCK PART NUMBERS PAGE MSM-57	WEIGHTS PAGE MSM-250
----------------------------	-----------------------------------	---	-------------------------

DIMENSIONS



MOTORIZED SHAFT MOUNT REDUCER (MSM) NEMA C-Face - Universal Mounting - Clamp Collar / 3 Piece Coupled Double/Triple Reduction Straight Hollow Bore Output Shaft

SIZE: MW68

STANDARD HOLLOW OUTPUT SHAFT

Dimension - Inch/MM

ØU	tol.	UY	VH	KEY	M
1.500	+0.0010 +0.0004	1.67	2.05	3/8 x 3/8 x 3-1/8	5/8-11 x 2-1/4 UNC
40	+0.025 +0.009	43	48	12 x 8 x 50	M16 x 60

OPTIONAL HOLLOW OUTPUT SHAFT

Dimension - Inch/MM

ØU	tol.	UY	VH	KEY	M
1.4375	+0.0010 +0.0004	1.61	1.98	3/8 x 3/8 x 3-3/8	3/8-16 x 2-1/4 UNC
45	+0.025 +0.009	49	47	14 x 9 x 70	M16 x 60

NEMA MOTOR ADAPTER - CLAMP COLLAR

Dimension - Inch

	MW68 Double		MW68 Triple		Double / Triple		
	C	ZC	C	ZC	YA	YB	YC
56C	9.72	3.01	10.45	3.74	0.47	0.20	0.67
140TC	10.39	3.68	11.12	4.41	0.47	0.20	0.67
180TC	11.89	5.18	12.69	5.98	0.73	0.22	0.91
210TC	13.78	7.07	-	-	0.69	0.22	0.89

NEMA MOTOR ADAPTER - 3 PIECE COUPLED

Dimension - Inch

	MW68 Double		MW68 Triple		Double / Triple		
	C	ZC	C	ZC	YA	YB	YC
56C	12.85	6.14	13.58	6.87	0.55	0.20	1.08
140TC	14.27	7.56	15.00	8.29	0.55	0.20	1.10
180TC	15.47	8.76	16.28	9.57	0.73	0.22	1.65
210TC	17.40	10.69	-	-	0.87	0.22	2.01

Refer to page ENGINEERING-2 for Input Shaft and Flange details.
Refer to page ENGINEERING-8 and ENGINEERING-9 for driven shaft dimensions.
Refer to page MSM-230 for Twin Tapered Bushing details.

NOMENCLATURE PAGE MSM-4	MOUNTING POSITIONS PAGE MSM-10	STOCK/NON-STOCK PART NUMBERS PAGE MSM-57	WEIGHTS PAGE MSM-250
----------------------------	-----------------------------------	---	-------------------------

DIMENSIONS



QUANTIS

QUANTIS GOLD

ILH

RHB

MSM

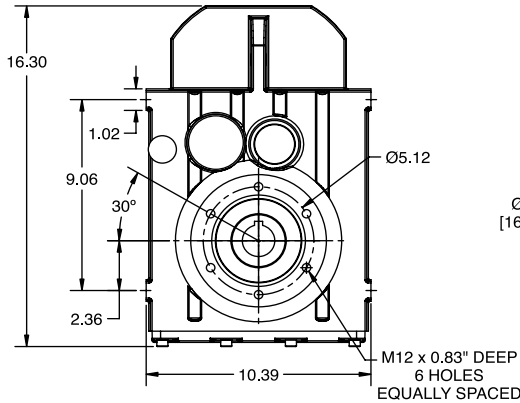
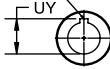
MOTORIZED SHAFT MOUNT REDUCER (MSM) SIZE: MW68

IEC D Flange (B5 Input) - Universal Mounting - Clamp Collar / 3 Piece Coupled

Double/Triple Reduction

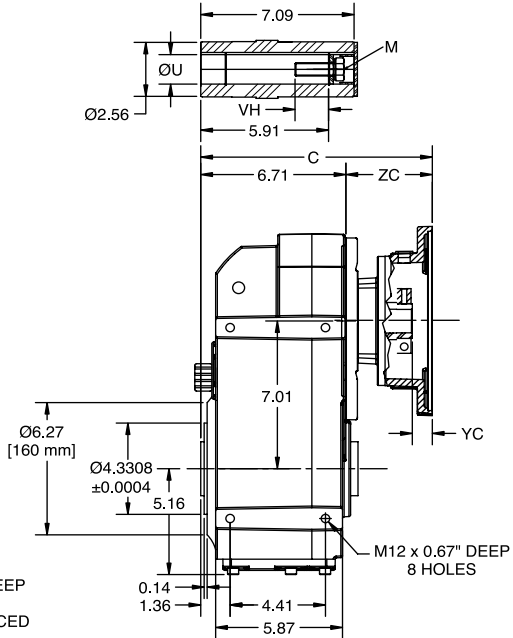
Straight Hollow Bore Output Shaft

CUSTOMER SUPPLIED KEY

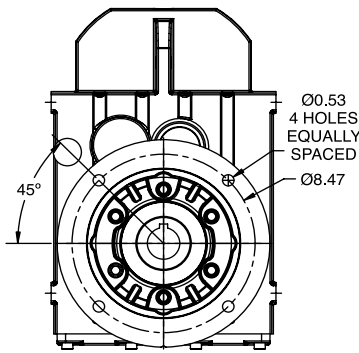


B14 OUTPUT FLANGE
Ø160 mm

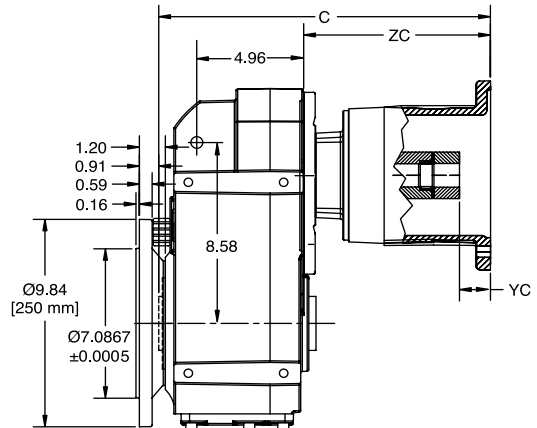
M12 x 0.83" DEEP
6 HOLES
EQUALLY SPACED



CLAMP COLLAR



B5 OUTPUT FLANGE
Ø250 mm



THREE-PIECE COUPLED

NOMENCLATURE
PAGE MSM-4

MOUNTING POSITIONS
PAGE MSM-10

STOCK/NON-STOCK PART NUMBERS
PAGE MSM-57

WEIGHTS
PAGE MSM-250

DIMENSIONS



MOTORIZED SHAFT MOUNT REDUCER (MSM)

SIZE: MW68

IEC D Flange (B5 Input) - Universal Mounting - Clamp Collar / 3 Piece Coupled
Double/Triple Reduction
Straight Hollow Bore Output Shaft

STANDARD HOLLOW OUTPUT SHAFT

Dimension - Inch/MM

ØU	tol.	UY	VH	KEY	M
1.500	+0.0010 +0.0004	1.67	2.05	3/8 x 3/8 x 3-1/8	5/8-11 x 2-1/4 UNC
40	+0.025 +0.009	43	48	12 x 8 x 50	M16 x 60

OPTIONAL HOLLOW OUTPUT SHAFT

Dimension - Inch/MM

ØU	tol.	UY	VH	KEY	M
1.4375	+0.0010 +0.0004	1.61	1.98	3/8 x 3/8 x 3-3/8	3/8-16 x 2-1/4 UNC
45	+0.025 +0.009	49	47	14 x 9 x 70	M16 x 60

IEC MOTOR ADAPTER - CLAMP COLLAR

Dimension - Inch

	MW68 Double		MW68 Triple		Double / Triple
	C	ZC	C	ZC	YC
71D	9.02	2.30	9.74	3.03	0.16
80D	9.96	3.25	10.69	3.98	0.61
90D	9.96	3.25	10.69	3.98	0.61
100D	10.26	3.54	10.98	4.27	0.28
112D	10.51	3.80	-	-	0.28
132D	12.13	5.41	-	-	0.87

IEC MOTOR ADAPTER - 3 PIECE COUPLED

Dimension - Inch

	MW68 Double		MW68 Triple		Double / Triple
	C	ZC	C	ZC	YC
80D	14.19	7.48	14.92	8.21	0.59
90D	14.19	7.48	14.92	8.21	1.02
100D	15.08	8.37	15.81	9.09	1.18
112D	14.96	8.25	-	-	1.18
132D	17.38	10.67	-	-	1.77

Refer to page ENGINEERING-3 for Input Shaft and Flange details.

Refer to page ENGINEERING-8 and ENGINEERING-9 for driven shaft dimensions.

Refer to page MSM-230 for Twin Tapered Bushing details.

NOMENCLATURE PAGE MSM-4	MOUNTING POSITIONS PAGE MSM-10	STOCK/NON-STOCK PART NUMBERS PAGE MSM-57	WEIGHTS PAGE MSM-250
----------------------------	-----------------------------------	---	-------------------------

DIMENSIONS



MOTORIZED SHAFT MOUNT REDUCER (MSM)

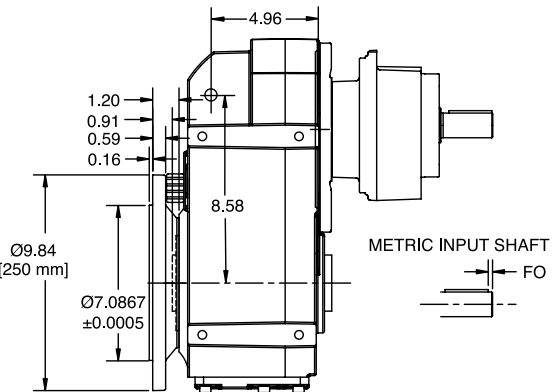
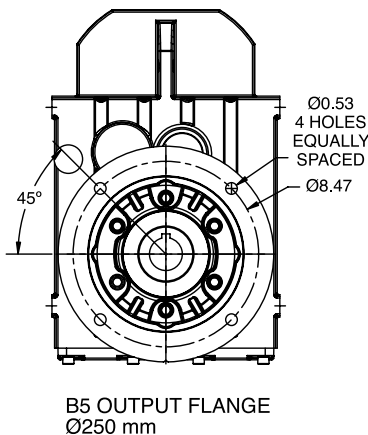
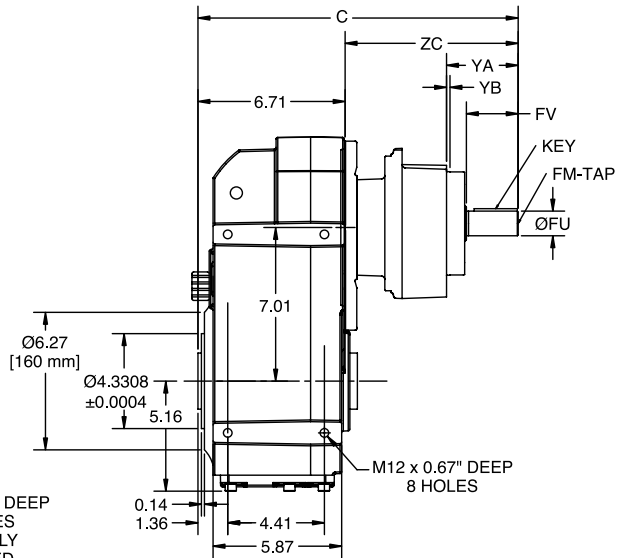
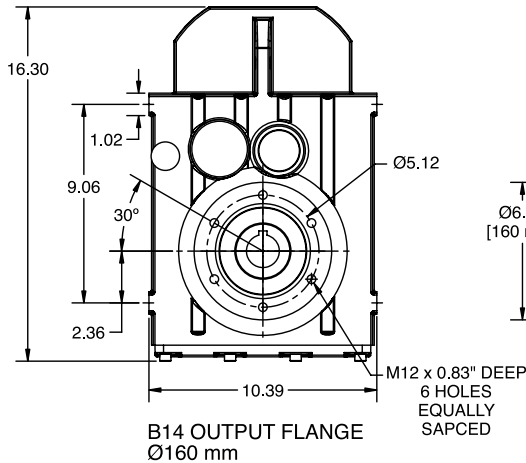
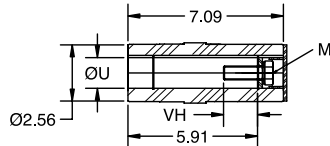
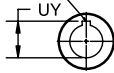
SIZE: MW68

Separate - Universal Mounting

Double/Triple Reduction

Straight Hollow Bore Output Shaft

CUSTOMER SUPPLIED KEY



NOMENCLATURE
PAGE MSM-4

MOUNTING POSITIONS
PAGE MSM-10

STOCK/NON-STOCK PART NUMBERS
PAGE MSM-57

WEIGHTS
PAGE MSM-250

DIMENSIONS



MOTORIZED SHAFT MOUNT REDUCER (MSM)

SIZE: MW68

Separate - Universal Mounting
Double/Triple Reduction
Straight Hollow Bore Output Shaft

STANDARD HOLLOW OUTPUT SHAFT

Dimension - Inch/MM

ØU	tol.	UY	VH	KEY	M
1.500	+0.0010 +0.0004	1.67	2.05	3/8 x 3/8 x 3-1/8	5/8-11 x 2-1/4 UNC
40	+0.025 +0.009	43	48	12 x 8 x 50	M16 x 60

OPTIONAL HOLLOW OUTPUT SHAFT

Dimension - Inch/MM

ØU	tol.	UY	VH	KEY	M
1.4375	+0.0010 +0.0004	1.61	1.98	3/8 x 3/8 x 3-3/8	3/8-16 x 2-1/4 UNC
45	+0.025 +0.009	49	47	14 x 9 x 70	M16 x 60

SEPARATE INPUT

Dimension - Inch/MM

	MW68 Double		MW68 Triple		DOUBLE/ TRIPLE							
	C	ZC	C	ZC	FO	FM x DEPTH	ØFU	tol.	FV	YA	YB	Key
71	12.20	5.49	12.93	6.22	---	8-32 UNC x 0.49	0.625	+0.0000 -0.0005	1.57	2.40	0.16	3/16 x 3/16 x 1-5/16
	310	140	329	158	4	M5 x 12.5	16	+0.012 +0.001	40			5 x 5 x 32
80	13.58	6.87	14.31	7.60	---	1/4-20 UNC x 0.63	0.750	+0.0000 -0.0005	1.57	2.40	0.16	3/16 x 3/16 x 1-5/16
	345	175	364	193	4	M6 x 16	19	+0.015 +0.002	40			6 x 6 x 32
90	13.98	7.26	14.70	7.99	---	5/16-18 UNC x 0.75	0.875	+0.0000 -0.0005	1.97	2.80	0.16	3/16 x 3/16 x 1-5/8
	355	185	374	203	5	M8 x 19	24	+0.015 +0.002	50			8 x 7 x 40
100	14.61	7.89	15.33	8.62	---	3/8 -16 UNC x 0.87	1.125	+0.0000 -0.0005	2.36	3.27	0.16	1/4 x 1/4 x 2
	371	201	390	219	5	M10 x 22	28	+0.015 +0.002	60			8 x 7 x 50
112	14.57	7.85	---	---	---	3/8 -16 UNC x 0.87	1.250	+0.0000 -0.0005	2.36	3.27	0.16	1/4 x 1/4 x 2
	370	200	---	---	5	M10 x 22	28	+0.015 +0.002	60			8 x 7 x 50
132	17.89	11.18	---	---	---	3/8-16 UNC x 1.10	1.375	+0.0000 -0.0005	3.15	6.61	0.14	5/16 x 5/16 x 2-3/4
	455	284	---	---	5	M12 x 28	38	+0.018 +0.002	80			10 x 8 x 70

Refer to page ENGINEERING-4 for Input Shaft and Flange details.

Refer to page ENGINEERING-8 and ENGINEERING-9 for driven shaft dimensions.

Refer to page MSM-230 for Twin Tapered Bushing details.

NOMENCLATURE PAGE MSM-4	MOUNTING POSITIONS PAGE MSM-10	STOCK/NON-STOCK PART NUMBERS PAGE MSM-57	WEIGHTS PAGE MSM-250
----------------------------	-----------------------------------	---	-------------------------

DIMENSIONS



MOTORIZED SHAFT MOUNT REDUCER (MSM)

SIZE: MW68

Integral Gearmotor - Universal Mounting
Double/Triple Reduction
Straight Hollow Bore Output Shaft

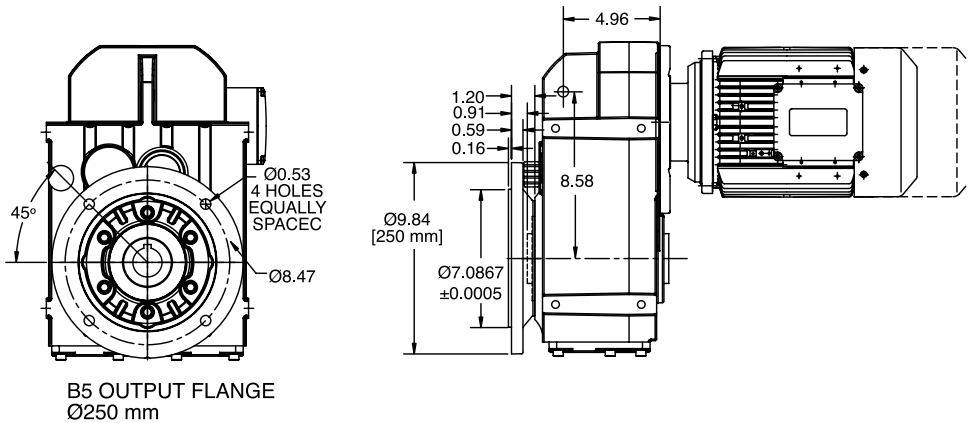
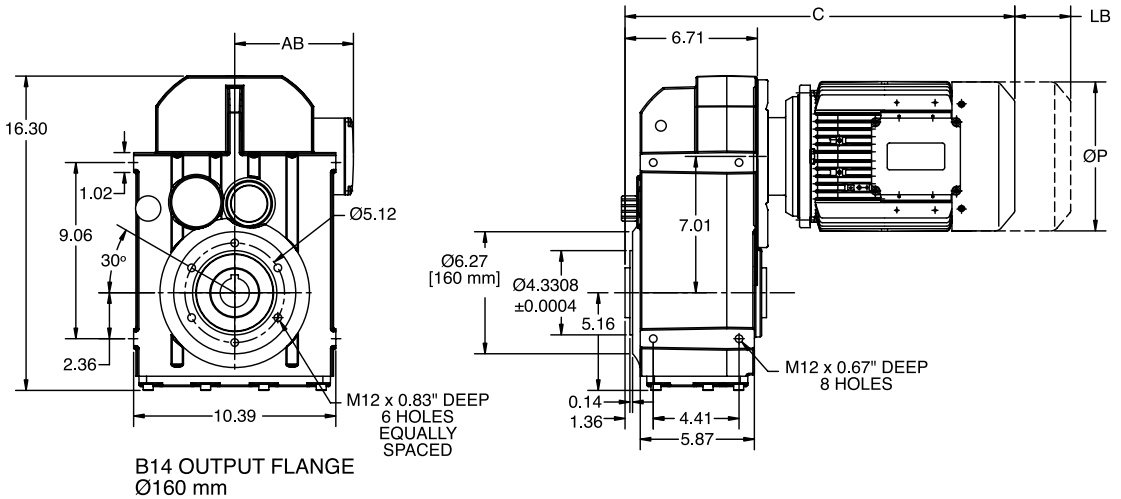
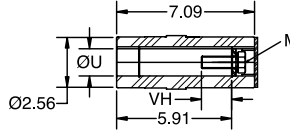
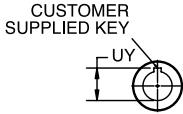
QUANTIS

QUANTIS GOLD

ILH

RHB

MSM



NOMENCLATURE PAGE MSM-4	MOUNTING POSITIONS PAGE MSM-10	STOCK/NON-STOCK PART NUMBERS PAGE MSM-57	WEIGHTS PAGE MSM-250
----------------------------	-----------------------------------	---	-------------------------

DIMENSIONS



MOTORIZED SHAFT MOUNT REDUCER (MSM)

SIZE: MW68

Integral Gearmotor - Universal Mounting
Double/Triple Reduction
Straight Hollow Bore Output Shaft

STANDARD HOLLOW OUTPUT SHAFT

					Dimension - Inch/MM
ØU	tol.	UY	VH	KEY	M
1.500	+0.0010 +0.0004	1.67	2.05	3/8 x 3/8 x 3-1/8	5/8-11 x 2-1/4 UNC
40	+0.025 +0.009	43	48	12 x 8 x 50	M16 x 60

OPTIONAL HOLLOW OUTPUT SHAFT

					Dimension - Inch/MM
ØU	tol.	UY	VH	KEY	M
1.4375	+0.0010 +0.0004	1.61	1.98	3/8 x 3/8 x 3-3/8	3/8-16 x 2-1/4 UNC
45	+0.025 +0.009	49	47	14 x 9 x 70	M16 x 60

MOTOR

Frame					Dimension - Inch/MM	
	MW68 Double		MW68 Triple		P	AB
	C	LB	C	LB		
71C4 / 71D4 / 71E4	16.8	1.81	17.53	1.81	6.19	5.18
	427	46	446	46	158	132
80F4	16.95	2.56	17.68	2.56	6.19	5.12
	431	65	450	65	158	131
80G4	18.45	2.56	19.18	2.56	6.19	5.12
	469	65	488	65	158	131
90H4	18.38	2.52	19.1	2.52	7.19	5.79
	467	64	486	64	183	148
90I4	19.26	2.52	19.99	2.52	7.19	5.79
	490	64	508	64	183	148
100J4	21.26	2.91	21.99	2.91	7.19	5.79
	541	74	559	74	183	148
112L4	22.91	2.91	-	-	8.6	6.88
	582	74	-	-	219	175
132M4	24.47	3.9	-	-	10.28	8.09
	622	99	-	-	262	206
132N4	25.97	3.9	-	-	10.28	8.09
	660	99	-	-	262	206

Refer to page ENGINEERING-8 and ENGINEERING-9 for driven shaft dimensions.
Refer to page MSM-230 for Twin Tapered Bushing details.

NOMENCLATURE PAGE MSM-4	MOUNTING POSITIONS PAGE MSM-10	STOCK/NON-STOCK PART NUMBERS PAGE MSM-57	WEIGHTS PAGE MSM-250
----------------------------	-----------------------------------	---	-------------------------

DIMENSIONS



QUANTIS

QUANTIS GOLD

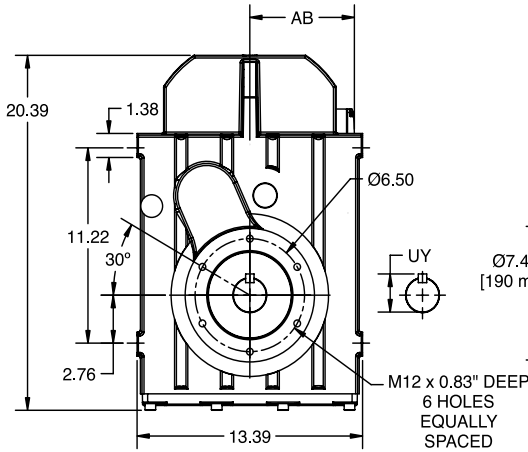
ILH

RHB

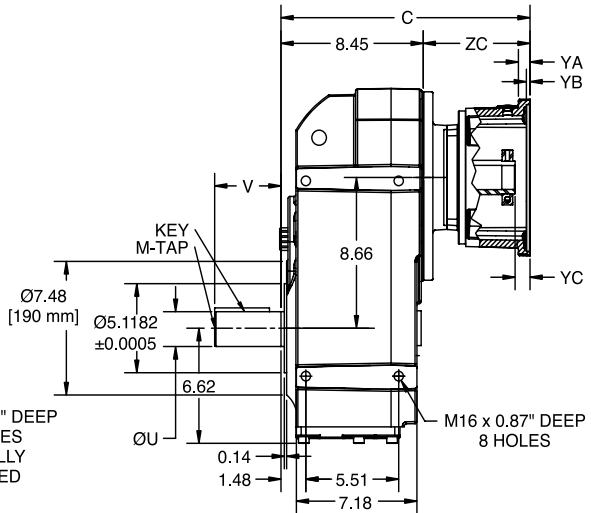
MSM

MOTORIZED SHAFT MOUNT REDUCER (MSM) NEMA C-Face - Universal Mounting - Clamp Collar / 3 Piece Coupled Double/Triple Reduction Solid Output Shaft

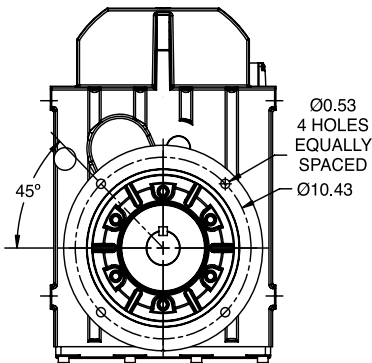
SIZE: MW88



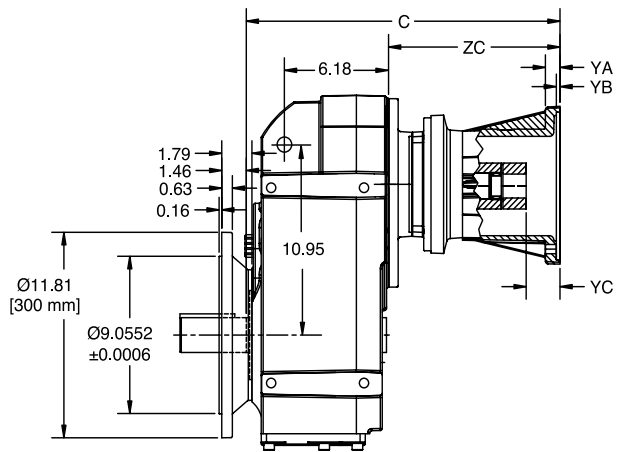
B14 OUTPUT FLANGE
Ø190 mm



CLAMP COLLAR

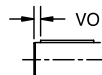


B5 OUTPUT FLANGE
Ø300 mm



THREE-PIECE COUPLED

METRIC OUTPUT SHAFT



NOMENCLATURE PAGE MSM-4	MOUNTING POSITIONS PAGE MSM-10	STOCK/NON-STOCK PART NUMBERS PAGE MSM-57	WEIGHTS PAGE MSM-250
----------------------------	-----------------------------------	---	-------------------------

DIMENSIONS



MOTORIZED SHAFT MOUNT REDUCER (MSM) NEMA C-Face - Universal Mounting - Clamp Collar / 3 Piece Coupled Double/Triple Reduction Solid Output Shaft

SIZE: MW88

STANDARD SOLID OUTPUT SHAFT

Dimension - Inch/MM

ØU	tol.	UY	V	VO	KEY	M-TAP x DEPTH
2.000	+0.000 -0.0010	2.22	3.94	-	1/2 x 1/2 x 3-1/4	3/4-10 UNC x 1.65
50	+0.018 +0.002	54	100	10	14 x 9 x 80	M16 x 36

OPTIONAL SOLID OUTPUT SHAFT

Dimension - Inch/MM

ØU	tol.	UY	V	VO	KEY	M-TAP x DEPTH
2.750	+0.000 -0.0010	3.03	5.51	-	5/8 x 5/8 x 4-9/16	3/4 - 10 UNC x 1.65
70	+0.030 +0.011	75	140	15	20 x 12 x 110	M20 x 42

NEMA MOTOR ADAPTER - CLAMP COLLAR

Dimension - Inch

	MW88 Double		MW88 Triple		DOUBLE / TRIPLE		
	C	ZC	C	ZC	YA	YB	YC
56C	-	-	11.86	3.41	0.47	0.20	0.67
140TC	11.54	3.09	12.52	4.08	0.47	0.20	0.67
180TC	12.90	4.45	14.04	5.59	0.73	0.22	0.91
210TC	14.79	6.34	15.89	7.44	0.69	0.22	0.89
250TC	14.73	6.28	-	-	0.95	0.20	1.13

NEMA MOTOR ADAPTER - 3 PIECE COUPLED

Dimension - Inch

	MW88 Double		MW88 Triple		DOUBLE / TRIPLE		
	C	ZC	C	ZC	YA	YB	YC
56C	-	-	14.99	6.54	0.55	0.20	1.08
140TC	15.42	6.97	16.40	7.95	0.55	0.20	1.10
180TC	16.48	8.03	17.62	9.17	0.73	0.22	1.65
210TC	18.41	9.96	19.51	11.06	0.87	0.22	2.01
250TC	20.38	11.93	-	-	0.95	0.20	2.17

Refer to page ENGINEERING-2 for Input Shaft and Flange details.

NOMENCLATURE PAGE MSM-4	MOUNTING POSITIONS PAGE MSM-10	STOCK/NON-STOCK PART NUMBERS PAGE MSM-57	WEIGHTS PAGE MSM-250
----------------------------	-----------------------------------	---	-------------------------

DIMENSIONS



QUANTIS

QUANTIS GOLD

ILH

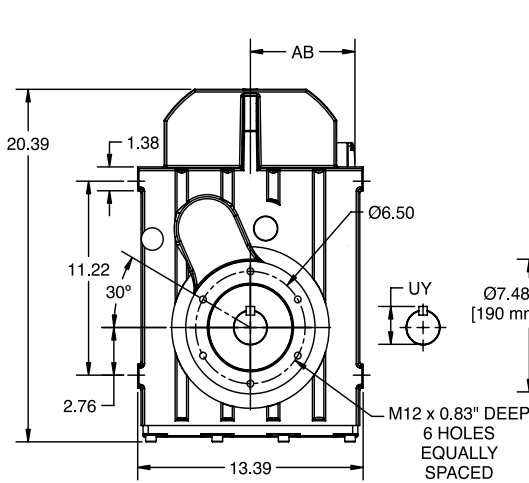
RHB

MSM

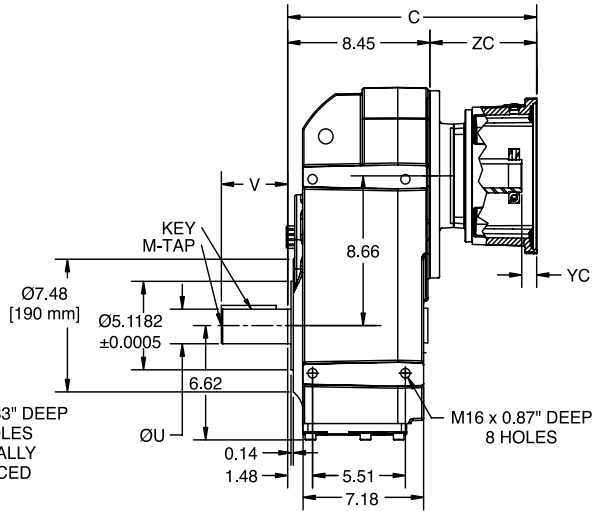
MOTORIZED SHAFT MOUNT REDUCER (MSM)

SIZE: MW88

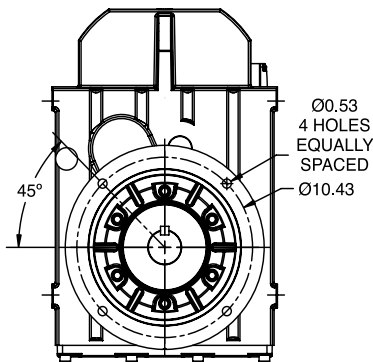
IEC D Flange (B5 Input) - Universal Mounting - Clamp Collar / 3 Piece Coupled
Double/Triple Reduction
Solid Output Shaft



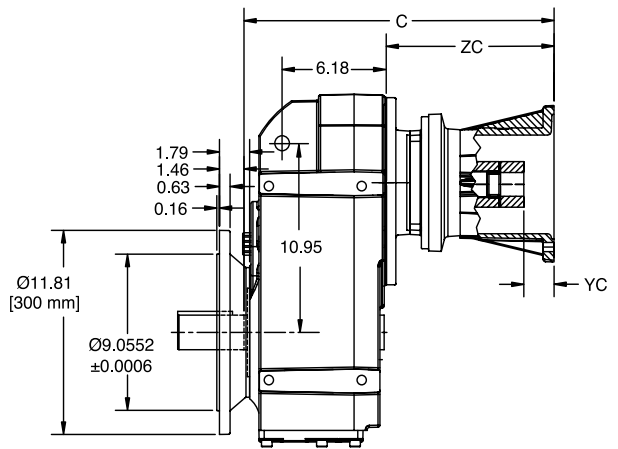
B14 OUTPUT FLANGE
Ø190 mm



CLAMP COLLAR

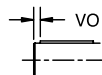


B5 OUTPUT FLANGE
Ø300 mm



THREE-PIECE COUPLED

METRIC OUTPUT SHAFT



NOMENCLATURE PAGE MSM-4	MOUNTING POSITIONS PAGE MSM-10	STOCK/NON-STOCK PART NUMBERS PAGE MSM-57	WEIGHTS PAGE MSM-250
----------------------------	-----------------------------------	---	-------------------------

DIMENSIONS



MOTORIZED SHAFT MOUNT REDUCER (MSM)

SIZE: MW88

IEC D Flange (B5 Input) - Universal Mounting - Clamp Collar / 3 Piece Coupled
Double/Triple Reduction
Solid Output Shaft

STANDARD SOLID OUTPUT SHAFT

Dimension - Inch/MM

ØU	tol.	UY	V	VO	KEY	M-TAP x DEPTH
2.000	+0.000 -0.0010	2.22	3.94	-	1/2 x 1/2 x 3-1/4	3/4-10 UNC x 1.65
50	+0.018 +0.002	54	100	10	14 x 9 x 80	M16 x 36

OPTIONAL SOLID OUTPUT SHAFT

Dimension - Inch/MM

ØU	tol.	UY	V	VO	KEY	M-TAP x DEPTH
2.750	+0.000 -0.0010	3.03	5.51	-	5/8 x 5/8 x 4-9/16	3/4 - 10 UNC x 1.65
70	+0.030 +0.011	75	140	15	20 x 12 x 110	M20 x 42

IEC MOTOR ADAPTER - CLAMP COLLAR

Dimension - Inch

	MW88 Double		MW88 Triple		DOUBLE TRIPLE
	C	ZC	C	ZC	YC
71D	---	---	11.15	2.70	0.16
80D	---	---	12.09	3.64	0.61
90D	11.11	2.66	12.09	3.64	0.61
100D	11.30	2.85	12.39	3.94	0.28
112D	11.52	3.07	12.66	4.21	0.28
132D	13.14	4.69	14.24	5.79	0.87
160D	14.83	6.38	-	-	0.79

IEC MOTOR ADAPTER - 3 PIECE COUPLED

Dimension - Inch

	MW88 Double		MW88 Triple		DOUBLE TRIPLE
	C	ZC	C	ZC	YC
80D	---	---	16.32	7.87	0.59
90D	15.34	6.89	16.32	7.87	1.02
100D	16.13	7.68	17.21	8.76	1.18
112D	15.97	7.52	17.11	8.66	1.18
132D	18.39	9.94	19.49	11.04	1.77
160D	21.01	12.56	-	-	2.60

Refer to page ENGINEERING-3 for Input Shaft and Flange details.

NOMENCLATURE PAGE MSM-4	MOUNTING POSITIONS PAGE MSM-10	STOCK/NON-STOCK PART NUMBERS PAGE MSM-57	WEIGHTS PAGE MSM-250
----------------------------	-----------------------------------	---	-------------------------

DIMENSIONS



MOTORIZED SHAFT MOUNT REDUCER (MSM)

SIZE: MW88

Separate - Universal Mounting
 Double/Triple Reduction
 Solid Output Shaft

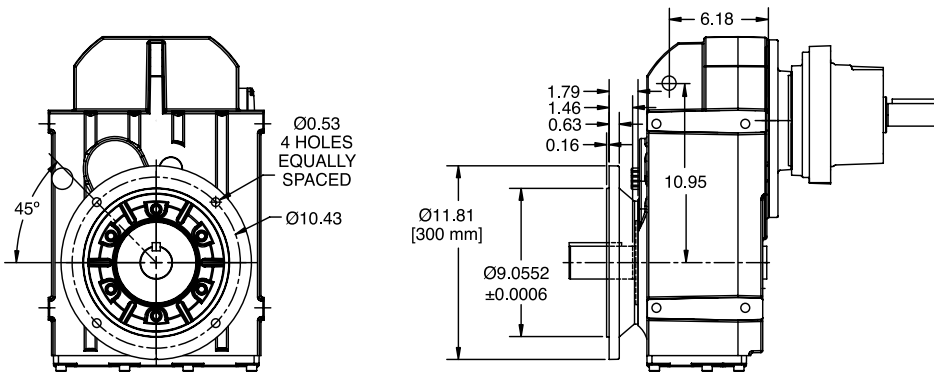
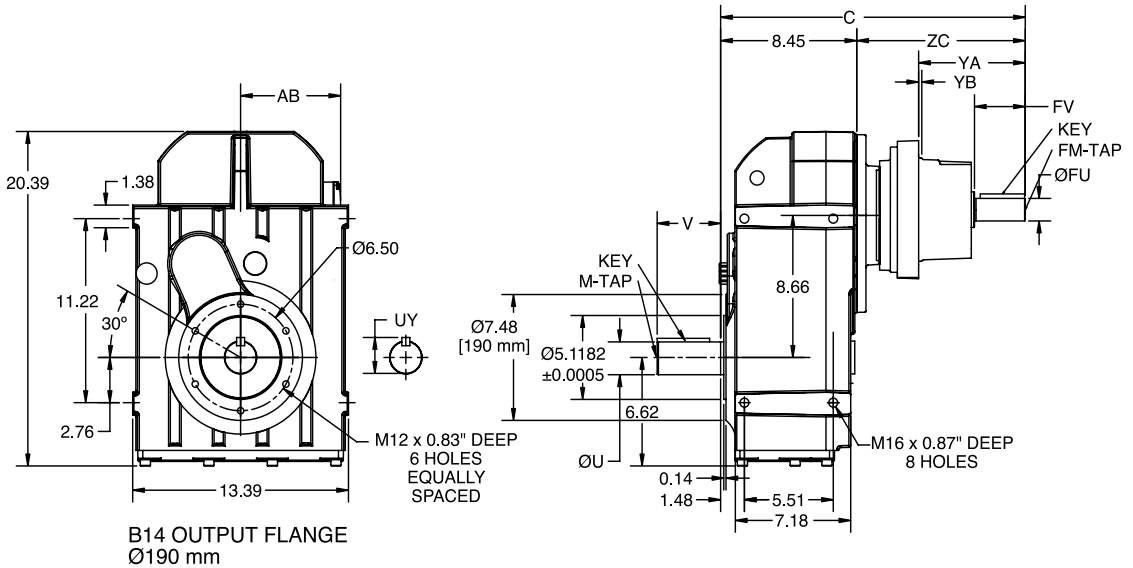
QUANTIS

QUANTIS GOLD

ILH

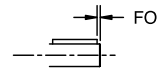
RHB

MSM



METRIC OUTPUT SHAFT

METRIC INPUT SHAFT



NOMENCLATURE
 PAGE MSM-4

MOUNTING POSITIONS
 PAGE MSM-10

STOCK/NON-STOCK PART NUMBERS
 PAGE MSM-57

WEIGHTS
 PAGE MSM-250

DIMENSIONS



MOTORIZED SHAFT MOUNT REDUCER (MSM)

SIZE: MW88

Separate - Universal Mounting
Double/Triple Reduction
Solid Output Shaft

STANDARD SOLID OUTPUT SHAFT

Dimension - Inch/MM

ØU	tol.	UY	V	VO	KEY	M-TAP x DEPTH
2.000	+0.000 -0.0010	2.22	3.94	-	1/2 x 1/2 x 3-1/4	3/4-10 UNC x 1.65
50	+0.018 +0.002	54	100	10	14 x 9 x 80	M16 x 36

OPTIONAL SOLID OUTPUT SHAFT

Dimension - Inch/MM

ØU	tol.	UY	V	VO	KEY	M-TAP x DEPTH
2.750	+0.000 -0.0010	3.03	5.51	-	5/8 x 5/8 x 4-9/16	3/4 - 10 UNC x 1.65
70	+0.030 +0.011	75	140	15	20 x 12 x 110	M20 x 42

SEPARATE INPUT

Dimension - Inch/MM

	MW88 Double		MW88 Triple		DOUBLE/TRIPLE							
	C	ZC	C	ZC	FO	FM x DEPTH	ØFU	tol.	FV	YA	YB	Key
71	---	---	14.33	5.89	---	8-32 UNC x 0.49	0.625	+0.0000 -0.0005 +0.012	1.57	2.40	0.16	3/16 x 3/16 x 1-5/16
	---	---	364	150	4	M5 x 12.5	16	+0.012 +0.001	40			5 x 5 x 32
80	---	---	15.71	7.26	---	1/4-20 UNC x 0.63	0.750	+0.0000 -0.0005 +0.015	1.57	2.40	0.16	3/16 x 3/16 x 1-5/16
	---	---	399	185	4	M6 x 16	19	+0.015 +0.002	40			6 x 6 x 32
90	15.12	6.67	16.10	7.66	---	5/16-18 UNC x 0.75	0.875	+0.0000 -0.0005 +0.015	1.97	2.80	0.16	3/16 x 3/16 x 1-5/8
	384	170	409	195	5	M8 x 19	24	+0.015 +0.002	50			8 x 7 x 40
100	15.65	7.20	16.73	8.29	---	3/8 -16 UNC x 0.87	1.125	+0.0000 -0.0005 +0.015	2.36	3.27	0.16	1/4 x 1/4 x 2
	398	183	425	211	5	M10 x 22	28	+0.015 +0.002	60			8 x 7 x 50
112	15.57	7.13	16.71	8.27	---	3/8 -16 UNC x 0.87	1.250	+0.0000 -0.0005 +0.015	2.36	3.27	0.16	1/4 x 1/4 x 2
	396	181	425	210	5	M10 x 22	28	+0.015 +0.002	60			8 x 7 x 50
132	18.90	10.45	20.00	11.56	---	3/8-16 UNC x 1.10	1.375	+0.0000 -0.0005 +0.018	3.15	6.61	0.14	5/16 x 5/16 x 2-3/4
	480	266	508	294	5	M12 x 28	38	+0.018 +0.002	80			10 x 8 x 70
160	20.61	12.17	---	---	---	5/8-11 UNC x 1.42	1.625	+0.0000 -0.0010 +0.018	4.33	8.46	0.14	3/8 x 3/8 x 3-1/2
	524	309	---	---	10	M16 x 36	42	+0.018 +0.002	110			12 x 8 x 90

Refer to page ENGINEERING-4 for Input Shaft and Flange details.

NOMENCLATURE PAGE MSM-4	MOUNTING POSITIONS PAGE MSM-10	STOCK/NON-STOCK PART NUMBERS PAGE MSM-57	WEIGHTS PAGE MSM-250
----------------------------	-----------------------------------	---	-------------------------

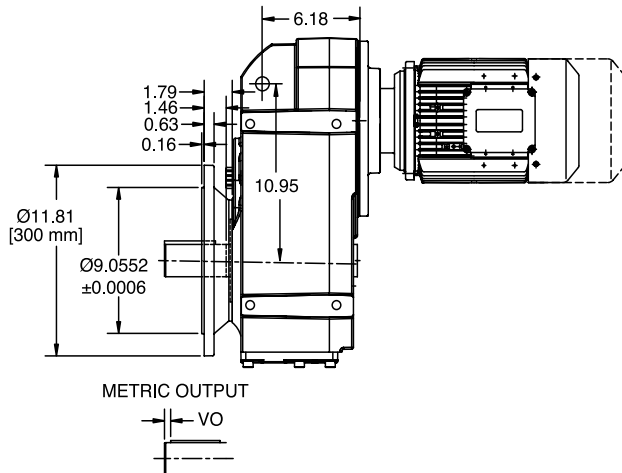
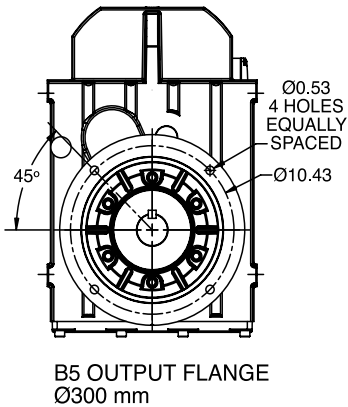
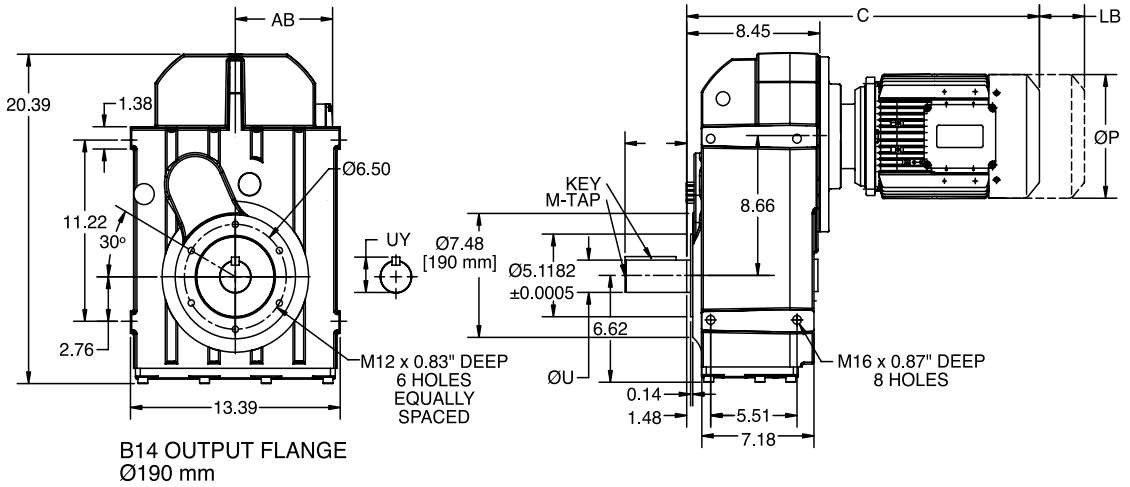
DIMENSIONS



MOTORIZED SHAFT MOUNT REDUCER (MSM)

SIZE: MW88

Integral Gearmotor - Universal Mounting
 Double/Triple Reduction
 Solid Output Shaft



NOMENCLATURE
 PAGE MSM-4

MOUNTING POSITIONS
 PAGE MSM-10

STOCK/NON-STOCK PART NUMBERS
 PAGE MSM-57

WEIGHTS
 PAGE MSM-250

DIMENSIONS



MOTORIZED SHAFT MOUNT REDUCER (MSM)

SIZE: MW88

Integral Gearmotor - Universal Mounting
Double/Triple Reduction
Solid Output Shaft

STANDARD SOLID OUTPUT SHAFT

Dimension - Inch/MM

ØU	tol.	UY	V	VO	KEY	M-TAP x DEPTH
2.000	+0.0000 -0.0010	2.22	3.94	-	1/2 x 1/2 x 3-1/4	3/4-10 UNC x 1.65
50	+0.018 +0.002	54	100	10	14 x 9 x 80	M16 x 36

OPTIONAL SOLID OUTPUT SHAFT

Dimension - Inch/MM

ØU	tol.	UY	V	VO	KEY	M-TAP x DEPTH
2.750	+0.0000 -0.0010	3.03	5.51	-	5/8 x 5/8 x 4-9/16	3/4-10 UNC x 1.65
70	+0.030 +0.011	75	140	15	20 x 12 x 110	M20 x 42

MOTOR

Dimension - Inch/MM

Frame	MW88 Double		MW88 Triple		P	AB
	C	LB	C	LB		
71C4 / 71D4 / 71E4	-	-	18.95	1.81	6.19	5.18
			482	46	158	132
80F4	-	-	19.09	2.56	6.19	5.12
			485	65	158	131
80G4	-	-	20.59	2.56	6.19	5.12
			523	65	158	131
90H4	19.52	2.52	20.52	2.52	7.19	5.79
	496	64	522	64	183	148
90I4	20.4	2.52	21.4	2.52	7.19	5.79
	519	64	544	64	183	148
100J4	22.31	2.91	23.4	2.91	7.19	5.79
	567	74	595	74	183	148
112L4	23.94	2.91	25.06	2.91	8.6	6.88
	609	74	637	74	219	175
132M4	25.48	3.9	26.58	3.9	10.28	8.09
	648	99	676	99	262	206
132N4	27.71	3.9	28.08	3.9	10.28	8.09
	704	99	714	99	262	206

NOMENCLATURE PAGE MSM-4	MOUNTING POSITIONS PAGE MSM-10	STOCK/NON-STOCK PART NUMBERS PAGE MSM-57	WEIGHTS PAGE MSM-250
----------------------------	-----------------------------------	---	-------------------------

DIMENSIONS



QUANTIS

QUANTIS GOLD

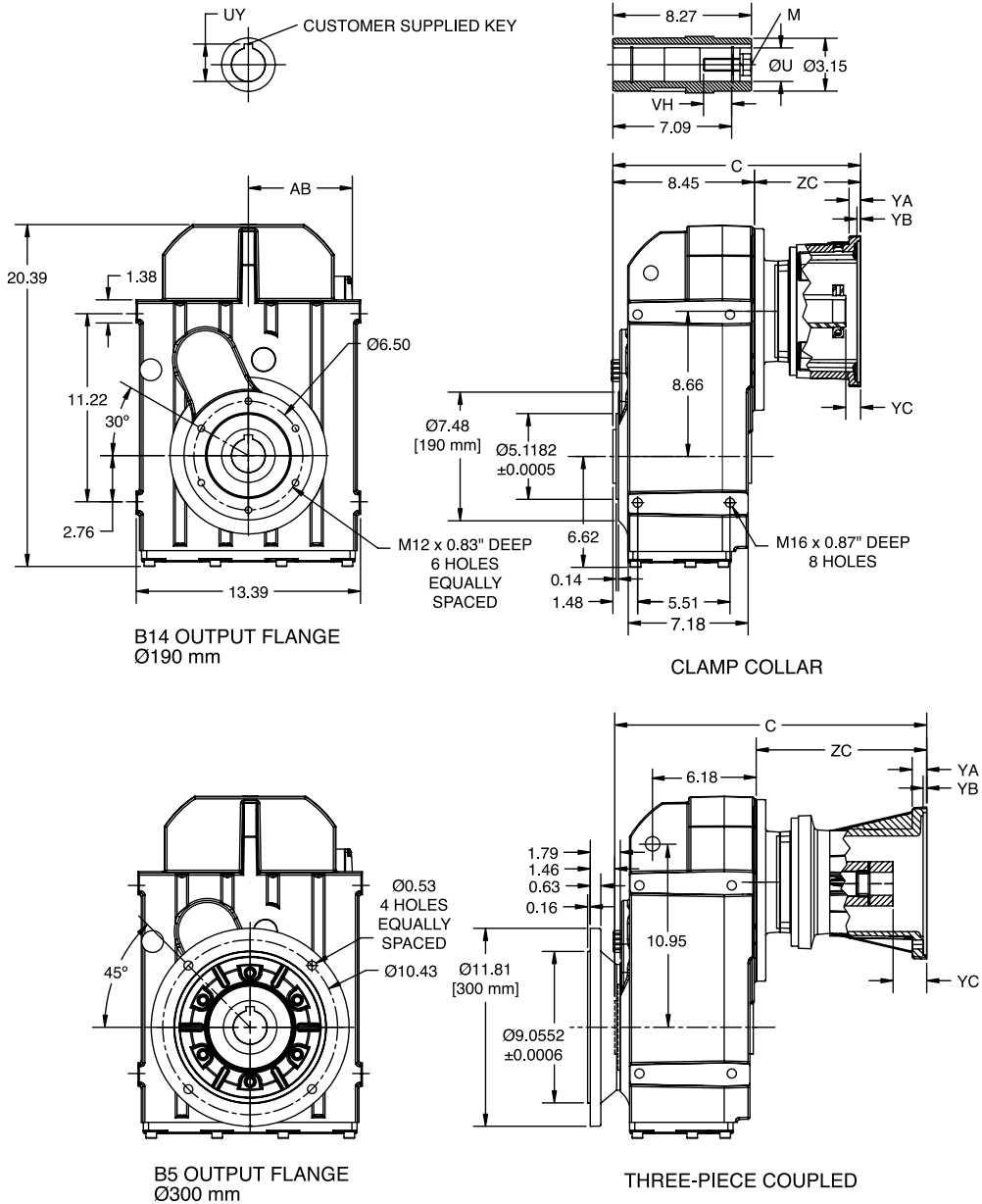
ILH

RHB

MSM

MOTORIZED SHAFT MOUNT REDUCER (MSM) NEMA C-Face - Universal Mounting - Clamp Collar / 3 Piece Coupled Double/Triple Reduction Straight Hollow Bore Output Shaft

SIZE: MW88



NOMENCLATURE PAGE MSM-4	MOUNTING POSITIONS PAGE MSM-10	STOCK/NON-STOCK PART NUMBERS PAGE MSM-57	WEIGHTS PAGE MSM-250
----------------------------	-----------------------------------	---	-------------------------

DIMENSIONS



MOTORIZED SHAFT MOUNT REDUCER (MSM)

SIZE: MW88

NEMA C-Face - Universal Mounting - Clamp Collar / 3 Piece Coupled
Double/Triple Reduction
Straight Hollow Bore Output Shaft

STANDARD HOLLOW OUTPUT SHAFT

Dimension - Inch/MM

ØU	tol.	UY	VH	KEY	M
2.000	+0.0012 +0.0004	2.66	1.89	1/2 x 1/2 x 3-5/16	3/4-10 x 2-1/4 UNC
50	+0.029 +0.010	54	48	14 x 9 x 80	M16 x 60

OPTIONAL HOLLOW OUTPUT SHAFT

Dimension - Inch/MM

ØU	tol.	UY	VH	KEY	M
1.9375	+0.0012 +0.0004	2.16	1.89	1/2 x 1/2 x 3-7/16	5/8-11 x 2-1/4 UNC
60	+0.029 +0.010	64	58	18 x 11 x 100	M20 x 70

NEMA MOTOR ADAPTER - CLAMP COLLAR

Dimension - Inch

	MW88 Double		MW88 Triple		DOUBLE / TRIPLE		
	C	ZC	C	ZC	YA	YB	YC
56C	-	-	11.86	3.41	0.47	0.20	0.67
140TC	11.54	3.09	12.52	4.08	0.47	0.20	0.67
180TC	12.90	4.45	14.04	5.59	0.73	0.22	0.91
210TC	14.79	6.34	15.89	7.44	0.69	0.22	0.89
250TC	14.73	6.28	-	-	0.95	0.20	1.13

NEMA MOTOR ADAPTER - 3 PIECE COUPLED

Dimension - Inch

	MW88 Double		MW88 Triple		DOUBLE / TRIPLE		
	C	ZC	C	ZC	YA	YB	YC
56C	-	-	14.99	6.54	0.55	0.20	1.08
140TC	15.41	6.97	16.40	7.95	0.55	0.20	1.10
180TC	16.48	8.03	17.62	9.17	0.73	0.22	1.65
210TC	18.40	9.96	19.50	11.06	0.87	0.22	2.01
250TC	20.37	11.93	-	-	0.95	0.20	2.17

Refer to page ENGINEERING-2 for Input Shaft and Flange details.
Refer to page ENGINEERING-8 and ENGINEERING-9 for driven shaft dimensions.
Refer to page MSM-231 for Twin Tapered Bushing details.

NOMENCLATURE PAGE MSM-4	MOUNTING POSITIONS PAGE MSM-10	STOCK/NON-STOCK PART NUMBERS PAGE MSM-57	WEIGHTS PAGE MSM-250
----------------------------	-----------------------------------	---	-------------------------

DIMENSIONS



QUANTIS

QUANTIS GOLD

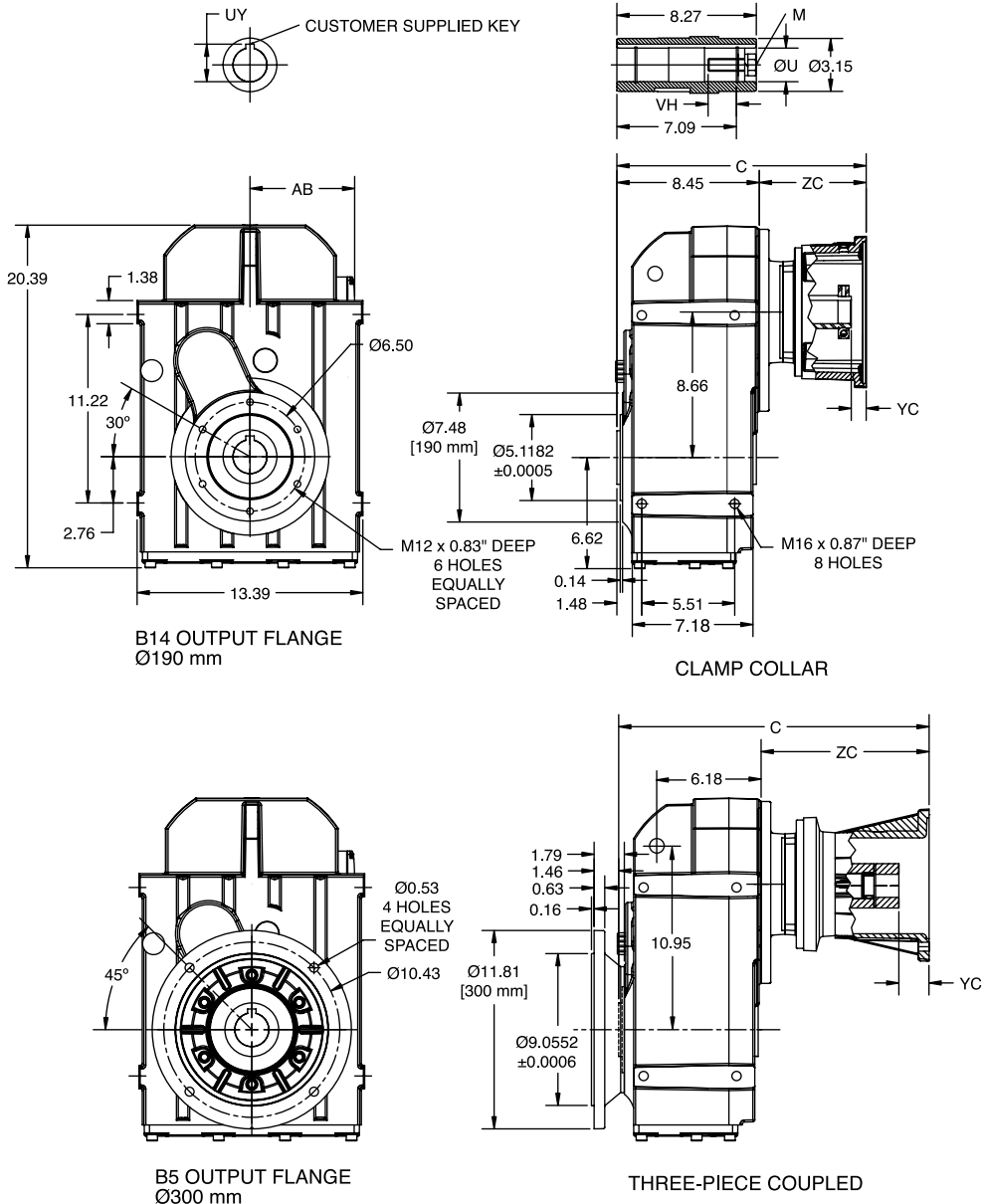
ILH

RHB

MSM

MOTORIZED SHAFT MOUNT REDUCER (MSM) IEC D Flange (B5 Input) - Universal Mounting - Clamp Collar / 3 Piece Coupled Double/Triple Reduction Straight Hollow Bore Output Shaft

SIZE: MW88



NOMENCLATURE PAGE MSM-4	MOUNTING POSITIONS PAGE MSM-10	STOCK/NON-STOCK PART NUMBERS PAGE MSM-57	WEIGHTS PAGE MSM-250
----------------------------	-----------------------------------	---	-------------------------

DIMENSIONS



MOTORIZED SHAFT MOUNT REDUCER (MSM)

SIZE: MW88

IEC D Flange (B5 Input) - Universal Mounting - Clamp Collar / 3 Piece Coupled
Double/Triple Reduction
Straight Hollow Bore Output Shaft

STANDARD HOLLOW OUTPUT SHAFT

Dimension - Inch/MM

ØU	tol.	UY	VH	KEY	M
2.000	+0.0012 +0.0004	2.66	1.89	1/2 x 1/2 x 3-5/16	3/4-10 x 2-1/4 UNC
50	+0.029 +0.010	54	48	14 x 9 x 80	M16 x 60

OPTIONAL HOLLOW OUTPUT SHAFT

Dimension - Inch/MM

ØU	tol.	UY	VH	KEY	M
1.9375	+0.0012 +0.0004	2.16	1.89	1/2 x 1/2 x 3-7/16	5/8-11 x 2-1/4 UNC
60	+0.029 +0.010	64	58	18 x 11 x 100	M20 x 70

IEC MOTOR ADAPTER - CLAMP COLLAR

Dimension - Inch

	MW88 Double		MW88 Triple		DOUBLE/ TRIPLE
	C	ZC	C	ZC	YC
71D	---	---	11.15	2.70	0.16
80D	---	---	12.09	3.64	0.61
90D	11.11	2.66	12.09	3.64	0.61
100D	11.30	2.85	12.38	3.94	0.28
112D	11.52	3.07	12.66	4.21	0.28
132D	13.14	4.69	14.23	5.79	0.87
160D	14.83	6.38	-	-	0.79

IEC MOTOR ADAPTER - 3 PIECE COUPLED

Dimension - Inch

	MW88 Double		MW88 Triple		DOUBLE/ TRIPLE
	C	ZC	C	ZC	YC
80D	---	---	16.32	7.87	0.59
90D	15.34	6.89	16.32	7.87	1.02
100D	16.13	7.68	17.21	8.76	1.18
112D	15.97	7.52	17.11	8.66	1.18
132D	18.39	9.94	19.49	11.04	1.77
160D	21.01	12.56	-	-	2.60

Refer to page ENGINEERING-3 for Input Shaft and Flange details.

Refer to page ENGINEERING-8 and ENGINEERING-9 for driven shaft dimensions.

Refer to page MSM-231 for Twin Tapered Bushing details.

NOMENCLATURE PAGE MSM-4	MOUNTING POSITIONS PAGE MSM-10	STOCK/NON-STOCK PART NUMBERS PAGE MSM-57	WEIGHTS PAGE MSM-250
----------------------------	-----------------------------------	---	-------------------------

DIMENSIONS



QUANTIS

QUANTIS GOLD

ILH

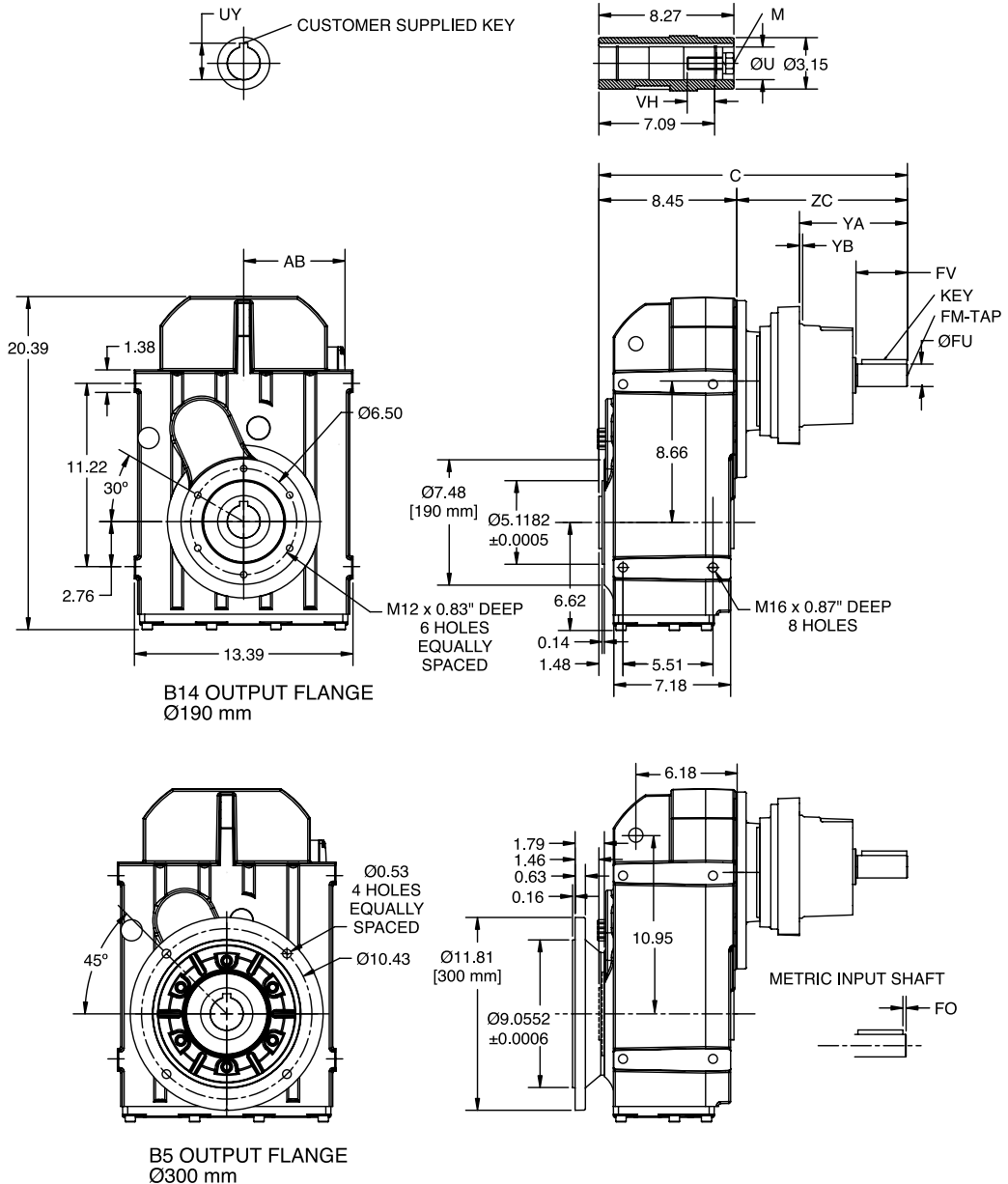
RHB

MSM

MOTORIZED SHAFT MOUNT REDUCER (MSM)

SIZE: MW88

Separate - Universal Mounting
 Double/Triple Reduction
 Straight Hollow Bore Output Shaft



NOMENCLATURE PAGE MSM-4	MOUNTING POSITIONS PAGE MSM-10	STOCK/NON-STOCK PART NUMBERS PAGE MSM-57	WEIGHTS PAGE MSM-250
----------------------------	-----------------------------------	---	-------------------------

DIMENSIONS



MOTORIZED SHAFT MOUNT REDUCER (MSM)

SIZE: MW88

Separate - Universal Mounting
Double/Triple Reduction
Straight Hollow Bore Output Shaft

STANDARD HOLLOW OUTPUT SHAFT

Dimension - Inch/MM

ØU	tol.	UY	VH	KEY	M
2.000	+0.0012 +0.0004	2.66	1.89	1/2 x 1/2 x 3-5/16	3/4-10 x 2-1/4 UNC
50	+0.029 +0.010	54	48	14 x 9 x 80	M16 x 60

OPTIONAL HOLLOW OUTPUT SHAFT

Dimension - Inch/MM

ØU	tol.	UY	VH	KEY	M
1.9375	+0.0012 +0.0004	2.16	1.89	1/2 x 1/2 x 3-7/16	5/8-11 x 2-1/4 UNC
60	+0.029 +0.010	64	58	18 x 11 x 100	M20 x 70

SEPARATE INPUT

Dimension - Inch/MM

	MW88 Double		MW88 Triple		DOUBLE/ TRIPLE							
	C	ZC	C	ZC	FO	FM x DEPTH	ØFU	tol.	FV	YA	YB	Key
71	---	---	14.33	5.89	---	8-32 UNC x 0.49	0.625	+0.0000 -0.0005	1.57	2.40	0.16	3/16 x 3/16 x 1-5/16
	---	---	364	150	4	M5 x 12.5	16	+0.012 +0.001	40			5 x 5 x 32
80	---	---	15.71	7.26	---	1/4-20 UNC x 0.63	0.750	+0.0000 -0.0005	1.57	2.40	0.16	3/16 x 3/16 x 1-5/16
	---	---	399	185	4	M6 x 16	19	+0.015 +0.002	40			6 x 6 x 32
90	15.12	6.67	16.10	7.66	---	5/16-18 UNC x 0.75	0.875	+0.0000 -0.0005	1.97	2.80	0.16	3/16 x 3/16 x 1-5/8
	384	170	409	195	5	M8 x 19	24	+0.015 +0.002	50			8 x 7 x 40
100	15.65	7.20	16.73	8.29	---	3/8 -16 UNC x 0.87	1.125	+0.0000 -0.0005	2.36	3.27	0.16	1/4 x 1/4 x 2
	398	183	425	211	5	M10 x 22	28	+0.015 +0.002	60			8 x 7 x 50
112	15.57	7.13	16.71	8.27	---	3/8 -16 UNC x 0.87	1.250	+0.0000 -0.0005	2.36	3.27	0.16	1/4 x 1/4 x 2
	396	181	425	210	5	M10 x 22	28	+0.015 +0.002	60			8 x 7 x 50
132	18.90	10.45	20.00	11.56	---	3/8-16 UNC x 1.10	1.375	+0.0000 -0.0005	3.15	6.61	0.14	5/16 x 5/16 x 2-3/4
	480	266	508	294	5	M12 x 28	38	+0.018 +0.002	80			10 x 8 x 70
160	20.61	12.17	---	---	---	5/8-11 UNC x 1.42	1.625	+0.0000 -0.0010	4.33	8.46	0.14	3/8 x 3/8 x 3-1/2
	524	309	---	---	10	M16 x 36	42	+0.018 +0.002	110			12 x 8 x 90

Refer to page ENGINEERING-4 for Input Shaft and Flange details.
Refer to page ENGINEERING-8 and ENGINEERING-9 for driven shaft dimensions.
Refer to page MSM-231 for Twin Tapered Bushing details.

NOMENCLATURE PAGE MSM-4	MOUNTING POSITIONS PAGE MSM-10	STOCK/NON-STOCK PART NUMBERS PAGE MSM-57	WEIGHTS PAGE MSM-250
----------------------------	-----------------------------------	---	-------------------------

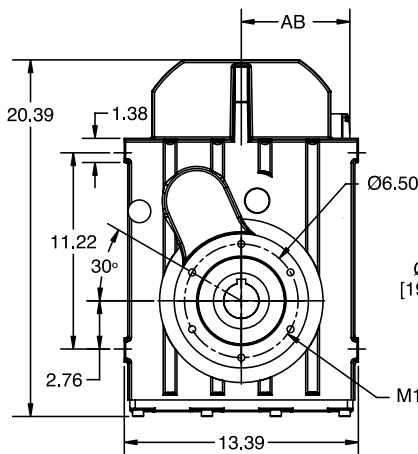
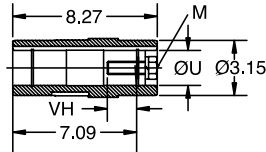
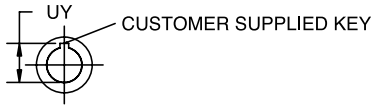
DIMENSIONS



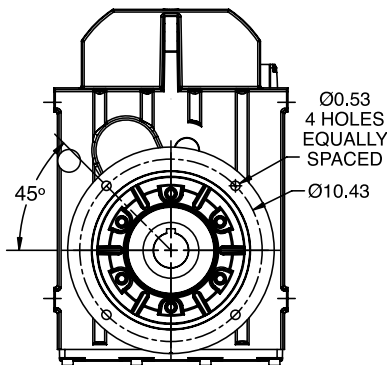
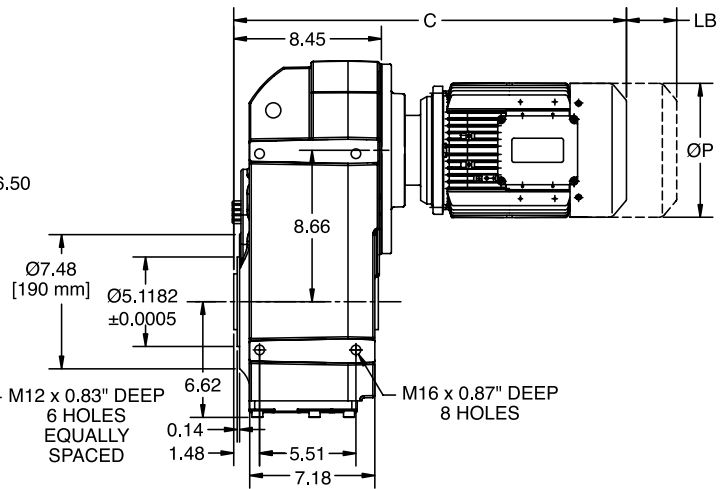
MOTORIZED SHAFT MOUNT REDUCER (MSM)

SIZE: MW88

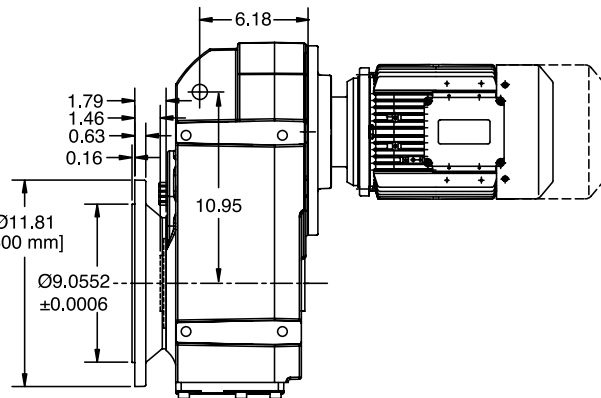
Integral Gearmotor - Universal Mounting
 Double/Triple Reduction
 Straight Hollow Bore Output Shaft



B14 OUTPUT FLANGE
 Ø190 mm



B5 OUTPUT FLANGE
 Ø300 mm



NOMENCLATURE
 PAGE MSM-4

MOUNTING POSITIONS
 PAGE MSM-10

STOCK/NON-STOCK PART NUMBERS
 PAGE MSM-57

WEIGHTS
 PAGE MSM-250

DIMENSIONS



MOTORIZED SHAFT MOUNT REDUCER (MSM)

SIZE: MW88

Integral Gearmotor - Universal Mounting
Double/Triple Reduction
Straight Hollow Bore Output Shaft

STANDARD HOLLOW OUTPUT SHAFT

Dimension - Inch/MM

ØU	tol.	UY	VH	KEY	M
2.000	+0.0012 +0.0004	2.22	1.89	1/2 x 1/2 x 3-5/16	3/4-10 x 2-1/4 UNC
50	+0.029 +0.010	54	48	14 x 9 x 80	M16 x 60

OPTIONAL HOLLOW OUTPUT SHAFT

Dimension - Inch/MM

ØU	tol.	UY	VH	KEY	M
1.9375	+0.0012 +0.0004	2.16	1.89	1/2 x 1/2 x 3-7/16	5/8-11 x 2-14 UNC
60	+0.029 +0.010	64	58	18 x 11 x 100	M20 x 70

MOTOR

Dimension - Inch/MM

Frame	MW88 Double		MW88 Triple		P	AB
	C	LB	C	LB		
71C4 / 71D4 / 71E4	-	-	18.95	1.81	6.19	5.18
	-	-	482	46	158	132
80F4	-	-	19.09	2.56	6.19	5.12
	-	-	485	65	158	131
80G4	-	-	20.59	2.56	6.19	5.12
	-	-	523	65	158	131
90H4	19.52	2.52	20.52	2.52	7.19	5.79
	496	64	522	64	183	148
90I4	20.4	2.52	21.4	2.52	7.19	5.79
	519	64	544	64	183	148
100J4	22.31	2.91	23.4	2.91	7.19	5.79
	567	74	595	74	183	148
112L4	23.94	2.91	25.06	2.91	8.6	6.88
	609	74	637	74	219	175
132M4	25.48	3.9	26.58	3.9	10.28	8.09
	648	99	676	99	262	206
132N4	27.71	3.9	28.08	3.9	10.28	8.09
	704	99	714	99	262	206

Refer to page ENGINEERING-8 and ENGINEERING-9 for driven shaft dimensions.

Refer to page MSM-231 for Twin Tapered Bushing details.

NOMENCLATURE PAGE MSM-4	MOUNTING POSITIONS PAGE MSM-10	STOCK/NON-STOCK PART NUMBERS PAGE MSM-57	WEIGHTS PAGE MSM-250
----------------------------	-----------------------------------	---	-------------------------

DIMENSIONS



MOTORIZED SHAFT MOUNT REDUCER (MSM) NEMA C-Face - Universal Mounting - Clamp Collar / 3 Piece Coupled Double/Triple Reduction Solid Output Shaft

SIZE: MW108

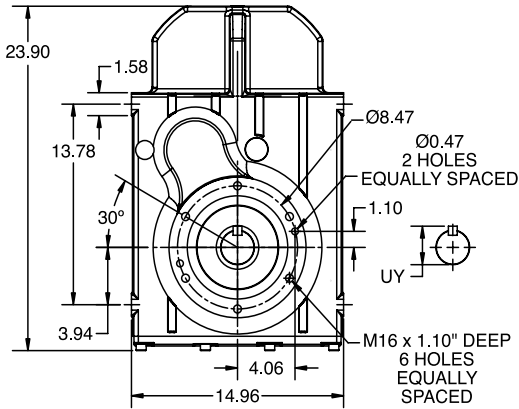
QUANTIS

QUANTIS GOLD

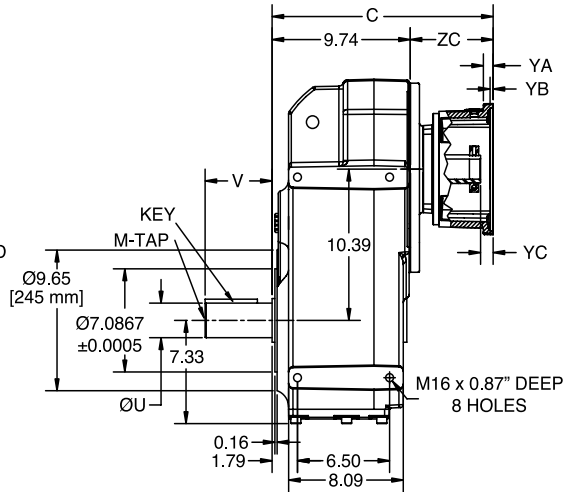
ILH

RHB

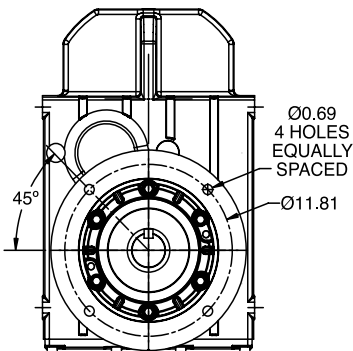
MSM



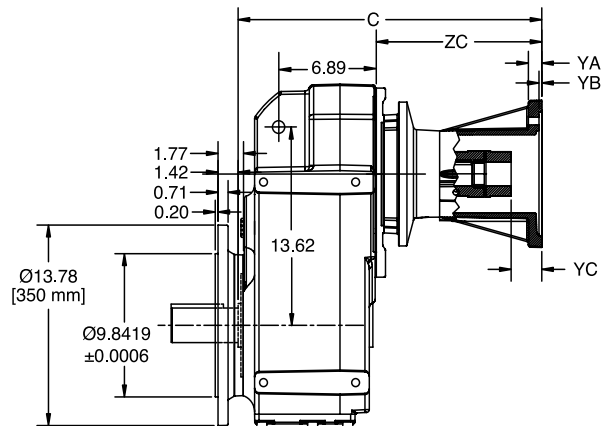
B14 OUTPUT FLANGE
Ø245 mm



CLAMP COLLAR

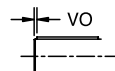


B5 OUTPUT FLANGE
Ø350 mm



THREE-PIECE COUPLED

METRIC OUTPUT SHAFT



NOMENCLATURE
PAGE MSM-4

MOUNTING POSITIONS
PAGE MSM-10

STOCK/NON-STOCK PART NUMBERS
PAGE MSM-57

WEIGHTS
PAGE MSM-250

DIMENSIONS



MOTORIZED SHAFT MOUNT REDUCER (MSM) NEMA C-Face - Universal Mounting - Clamp Collar / 3 Piece Coupled Double/Triple Reduction Solid Output Shaft

SIZE: MW108

STANDARD SOLID OUTPUT SHAFT

Dimension - Inch/MM

ØU	tol.	UY	V	VO	KEY	M-TAP x DEPTH
2.375	+0.0000 -0.0010	2.65	4.72	-	5/8 x 5/8 x 3-11/16	3/4 - 10 UNC x 1.65
60	+0.030 +0.011	64	120	10	18 x 11 x 100	M20 x 42

OPTIONAL SOLID OUTPUT SHAFT

Dimension - Inch/MM

ØU	tol.	UY	V	VO	KEY	M-TAP x DEPTH
3.1875	+0.0000 -0.0010	3.52	6.69	-	3/4 x 3/4 x 5-3/8	3/4-10 UNC x 1.65
80	+0.030 +0.011	85	170	20	22 x 14 x 125	M20 x 42

NEMA MOTOR ADAPTER - CLAMP COLLAR

Dimension - Inch

	MW108 Double		MW108 Triple		DOUBLE / TRIPLE		
	C	ZC	C	ZC	YA	YB	YC
140TC	12.38	2.64	13.58	3.84	0.47	0.20	0.67
180TC	13.74	4.00	14.98	5.24	0.73	0.22	0.91
210TC	15.59	5.85	16.87	7.13	0.69	0.22	0.89
250TC	15.56	5.82	16.72	6.98	0.95	0.20	1.13
280TC	16.36	6.62	-	-	0.95	0.20	1.30

NEMA MOTOR ADAPTER - 3 PIECE COUPLED

Dimension - Inch

	MW108 Double		MW108 Triple		DOUBLE / TRIPLE		
	C	ZC	C	ZC	YA	YB	YC
140TC	16.26	6.52	17.46	7.72	0.55	0.20	1.10
180TC	17.32	7.58	18.56	8.82	0.73	0.22	1.65
210TC	19.21	9.47	20.49	10.75	0.87	0.22	2.01
250TC	21.22	11.48	22.38	12.64	0.95	0.20	2.17
280TC	23.91	14.17	-	-	0.95	0.20	2.57

Refer to page ENGINEERING-2 for Input Shaft and Flange details.

NOMENCLATURE PAGE MSM-4	MOUNTING POSITIONS PAGE MSM-10	STOCK/NON-STOCK PART NUMBERS PAGE MSM-57	WEIGHTS PAGE MSM-250
----------------------------	-----------------------------------	---	-------------------------

DIMENSIONS



MOTORIZED SHAFT MOUNT REDUCER (MSM) IEC D Flange (B5 Input) - Universal Mounting - Clamp Collar / 3 Piece Coupled Double/Triple Reduction Solid Output Shaft

SIZE: MW108

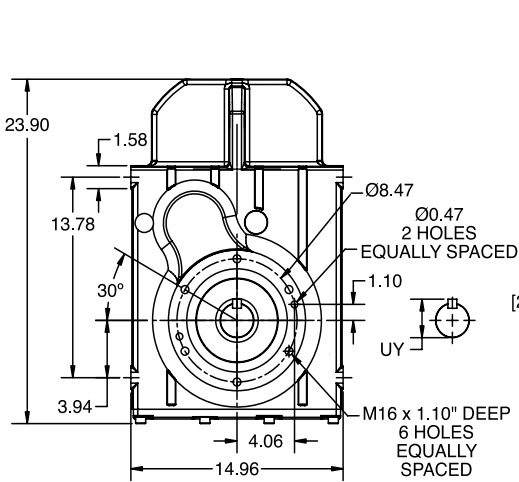
QUANTIS

QUANTIS GOLD

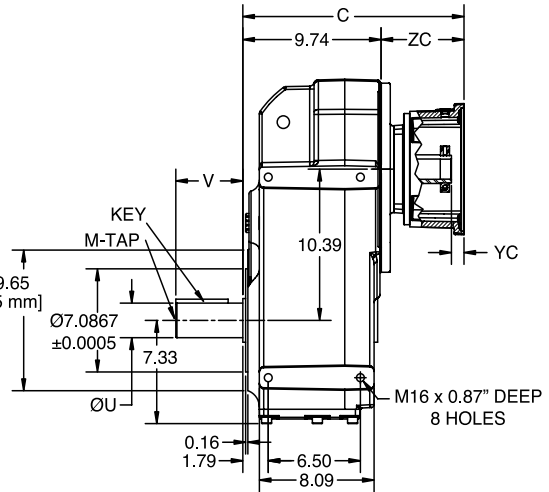
ILH

RHB

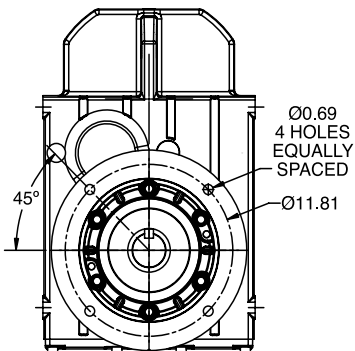
MSM



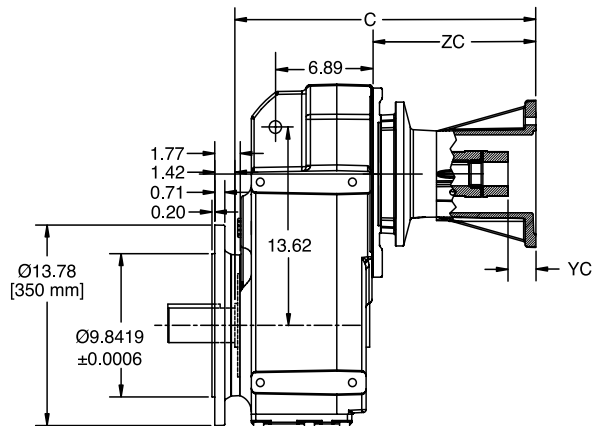
B14 OUTPUT FLANGE
Ø245 mm



CLAMP COLLAR

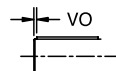


B5 OUTPUT FLANGE
Ø350 mm



THREE-PIECE COUPLED

METRIC OUTPUT SHAFT



NOMENCLATURE
PAGE MSM-4

MOUNTING POSITIONS
PAGE MSM-10

STOCK/NON-STOCK PART NUMBERS
PAGE MSM-57

WEIGHTS
PAGE MSM-250

DIMENSIONS



MOTORIZED SHAFT MOUNT REDUCER (MSM)

SIZE: MW108

IEC D Flange (B5 Input) - Universal Mounting - Clamp Collar / 3 Piece Coupled
Double/Triple Reduction
Solid Output Shaft

STANDARD SOLID OUTPUT SHAFT

Dimension - Inch/MM

ØU	tol.	UY	V	VO	KEY	M-TAP x DEPTH
3.375	+0.0000 -0.0010	2.65	4.72	-	5/8 x 5/8 x 3-11/16	3/4 - 10 UNC x 1.65
60	+0.030 +0.011	64	120	10	18 x 11 x 100	M20 x 42

OPTIONAL SOLID OUTPUT SHAFT

Dimension - Inch/MM

ØU	tol.	UY	V	VO	KEY	M-TAP x DEPTH
3.1875	+0.0000 -0.0010	3.52	6.69	-	3/4 x 3/4 x 5-3/8	3/4-10 UNC x 1.65
80	+0.030 +0.011	85	170	20	22 x 14 x 125	M20 x 42

IEC MOTOR ADAPTER - CLAMP COLLAR

Dimension - Inch

	MW108 Double		MW108 Triple		DOUBLE/ TRIPLE
	C	ZC	C	ZC	YC
80D	---	---	13.15	3.41	0.61
90D	11.95	2.20	13.15	3.41	0.61
100D	12.13	2.38	13.44	3.70	0.28
112D	12.36	2.62	13.60	3.86	0.28
132D	13.94	4.19	15.22	5.47	0.87
160D	15.67	5.93	16.83	7.09	0.79
180D	16.20	6.46	---	---	0.85
200D	16.59	6.85	---	---	1.18

IEC MOTOR ADAPTER - 3 PIECE COUPLED

Dimension - Inch

	MW108 Double		MW108 Triple		DOUBLE/ TRIPLE
	C	ZC	C	ZC	YC
80D	---	---	17.38	7.64	0.59
90D	16.18	6.44	17.38	7.64	1.02
100D	16.95	7.20	18.27	8.52	1.18
112D	16.81	7.07	18.05	8.31	1.18
132D	19.19	9.45	20.47	10.73	1.77
160D	21.85	12.11	23.01	13.27	2.60
180D	23.84	14.09	---	---	2.32
200D	23.88	14.13	---	---	2.36

Refer to page ENGINEERING-3 for Input Shaft and Flange details.

NOMENCLATURE PAGE MSM-4	MOUNTING POSITIONS PAGE MSM-10	STOCK/NON-STOCK PART NUMBERS PAGE MSM-57	WEIGHTS PAGE MSM-250
----------------------------	-----------------------------------	---	-------------------------

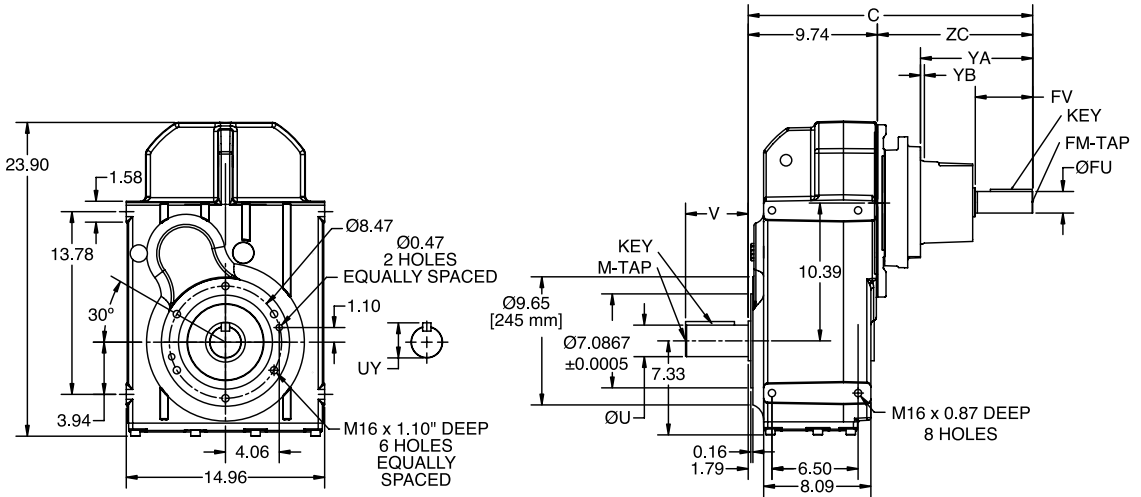
DIMENSIONS



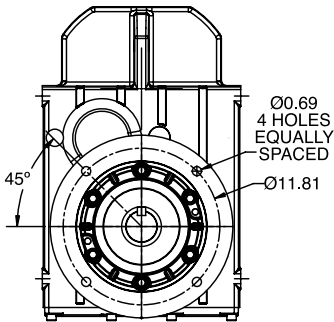
MOTORIZED SHAFT MOUNT REDUCER (MSM)

SIZE: MW108

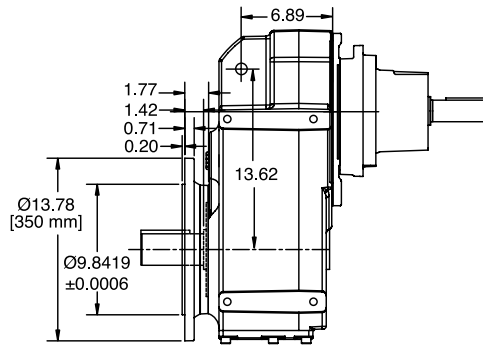
Separate - Universal Mounting
Double/Triple Reduction
Solid Output Shaft



B14 OUTPUT FLANGE
Ø245 mm

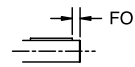
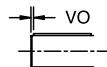


B5 OUTPUT FLANGE
Ø350 mm



METRIC OUTPUT SHAFT

METRIC INPUT SHAFT



NOMENCLATURE
PAGE MSM-4

MOUNTING POSITIONS
PAGE MSM-10

STOCK/NON-STOCK PART NUMBERS
PAGE MSM-57

WEIGHTS
PAGE MSM-250

DIMENSIONS



MOTORIZED SHAFT MOUNT REDUCER (MSM)

SIZE: MW108

Separate - Universal Mounting
Double/Triple Reduction
Solid Output Shaft

STANDARD SOLID OUTPUT SHAFT

						Dimension - Inch/MM	
ØU	tol.	UY	V	VO	KEY	M-TAP x DEPTH	
2.375	+0.0000 -0.0010	2.65	4.72	-	5/8 x 5/8 x 3-11/16	3/4 - 10 UNC x 1.65	
60	+0.030 +0.011	64	120	10	18 x 11 x 100	M20 x 42	

OPTIONAL SOLID OUTPUT SHAFT

						Dimension - Inch/MM	
ØU	tol.	UY	V	VO	KEY	M-TAP x DEPTH	
3.1875	+0.0000 -0.0010	3.52	6.69	-	3/4 x 3/4 x 5-3/8	3/4-10 UNC x 1.65	
80	+0.030 +0.011	85	170	20	22 x 14 x 125	M20 x 42	

SEPARATE INPUT

												Dimension - Inch/MM	
	MW108 Double		M1088 Triple		DOUBLE/ TRIPLE								
	C	ZC	C	ZC	FO	FM x DEPTH	ØFU	tol.	FV	YA	YB	Key	
80	---	---	16.77	7.03	---	1/4-20 UNC x 0.63	0.750	+0.0000 -0.0005	1.57	2.40	0.16	3/16 x 3/16 x 1-5/16	
	---	---	426	179	4	M6 x 16	19	+0.015 +0.002	40			6 x 6 x 32	
90	15.96	6.22	17.17	7.42	---	5/16-18 UNC x 0.75	0.875	+0.0000 -0.0005	1.97	2.80	0.16	3/16 x 3/16 x 1-5/8	
	406	158	436	189	5	M8 x 19	24	+0.015 +0.002	50			8 x 7 x 40	
100	16.48	6.73	17.80	8.05	---	3/8 -16 UNC x 0.87	1.125	+0.0000 -0.0005	2.36	3.27	0.16	1/4 x 1/4 x 2	
	419	171	452	205	5	M10 x 22	28	+0.015 +0.002	60			8 x 7 x 50	
112	16.42	6.67	17.66	7.91	---	3/8 -16 UNC x 0.87	1.250	+0.0000 -0.0005	2.36	3.27	0.16	1/4 x 1/4 x 2	
	417	170	449	201	5	M10 x 22	28	+0.015 +0.002	60			8 x 7 x 50	
132	19.70	9.96	20.98	11.24	---	3/8-16 UNC x 1.10	1.375	+0.0000 -0.0005	3.15	6.61	0.14	5/16 x 5/16 x 2-3/4	
	501	253	533	286	5	M12 x 28	38	+0.018 +0.002	80			10 x 8 x 70	
160	21.46	11.71	22.62	12.87	---	5/8-11 UNC x 1.42	1.625	+0.0000 -0.0010	4.33	8.46	0.14	3/8 x 3/8 x 3-1/2	
	545	298	575	327	10	M16 x 36	42	+0.018 +0.002	110			12 x 8 x 90	
180	22.26	12.52	---	---	---	3/4-10 UNC x 1.65	2.125	+0.0000 -0.0010	4.33	9.25	0.16	1/2 x 1/2 x 3-5/8	
	566	318	---	---	10	M20 x 42	55	+0.030 +0.011	110			16 x 10 x 90	

Refer to page ENGINEERING-4 for Input Shaft and Flange details.

NOMENCLATURE PAGE MSM-4	MOUNTING POSITIONS PAGE MSM-10	STOCK/NON-STOCK PART NUMBERS PAGE MSM-57	WEIGHTS PAGE MSM-250
----------------------------	-----------------------------------	---	-------------------------

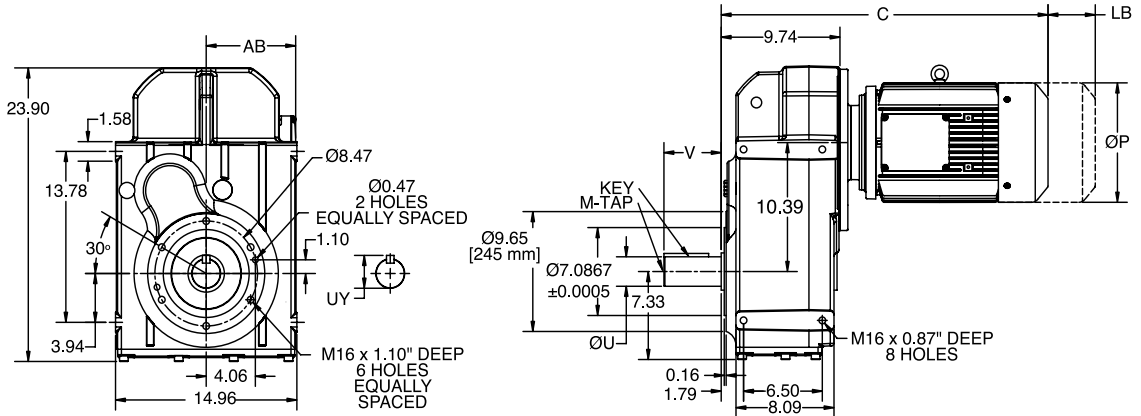
DIMENSIONS



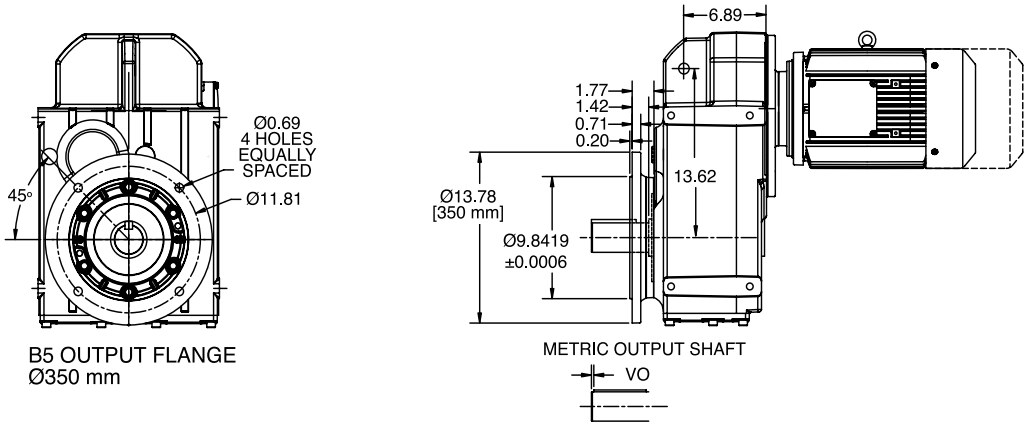
MOTORIZED SHAFT MOUNT REDUCER (MSM)

SIZE: MW108

Integral Gearmotor - Universal Mounting
Double/Triple Reduction
Solid Output Shaft



B14 OUTPUT FLANGE
Ø245 mm



B5 OUTPUT FLANGE
Ø350 mm

METRIC OUTPUT SHAFT

NOMENCLATURE
PAGE MSM-4

MOUNTING POSITIONS
PAGE MSM-10

STOCK/NON-STOCK PART NUMBERS
PAGE MSM-57

WEIGHTS
PAGE MSM-250

DIMENSIONS



MOTORIZED SHAFT MOUNT REDUCER (MSM)

SIZE: MW108

Integral Gearmotor - Universal Mounting
Double/Triple Reduction
Solid Output Shaft

STANDARD SOLID OUTPUT SHAFT

Dimension -Inch/MM

ØU	tol.	UY	V	VO	KEY	M-TAP x DEPTH
2.375	+0.0000 -0.0010	2.65	4.72	-	5/8 x 5/8 x 3-11/16	3/4-10 UNC x 1.65
60	+0.030 +0.011	64	120	10	18 x 11 x 100	M20 x 42

OPTIONAL SOLID OUTPUT SHAFT

Dimension - Inch/MM

ØU	tol.	UY	V	VO	KEY	M-TAP x DEPTH
3.1875	+0.0000 -0.0010	3.52	6.69	-	3/4 x 3/4 x 5-3/8	3/4-10 UNC x 1.65
80	+0.030 +0.011	85	170	20	22 x 14 x 125	M20 x 42

MOTOR

Dimension - Inch/MM

Frame	MW108 Double		MW108 Triple		P	AB
	C	LB	C	LB		
80F4	-	-	20.14	2.56	6.19	5.12
			512	65	158	131
80G4	-	-	21.64	2.56	6.19	5.12
			550	65	158	131
90H4	20.36	2.52	21.56	2.52	7.19	5.79
	518	64	548	64	183	148
90I4	21.25	2.52	22.45	2.52	7.19	5.79
	540	64	571	64	183	148
100J4	23.13	2.91	24.45	2.91	7.19	5.79
	588	74	622	74	183	148
112L4	24.76	2.91	26	2.91	8.6	6.88
	629	74	661	74	219	175
132M4	26.28	3.9	27.56	3.9	10.28	8.09
	668	99	701	99	262	206
132N4	27.78	3.9	29.06	3.9	10.28	8.09
	706	99	739	99	262	206

NOMENCLATURE PAGE MSM-4	MOUNTING POSITIONS PAGE MSM-10	STOCK/NON-STOCK PART NUMBERS PAGE MSM-57	WEIGHTS PAGE MSM-250
----------------------------	-----------------------------------	---	-------------------------

DIMENSIONS



MOTORIZED SHAFT MOUNT REDUCER (MSM) NEMA C-Face - Universal Mounting - Clamp Collar / 3 Piece Coupled Double/Triple Reduction Straight Hollow Bore Output Shaft

SIZE: MW108

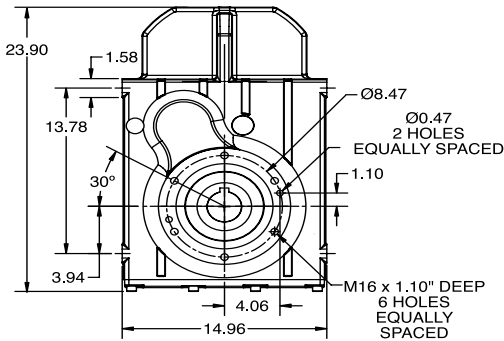
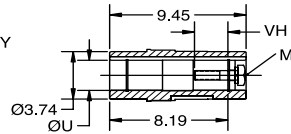
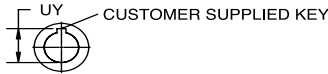
QUANTIS

QUANTIS GOLD

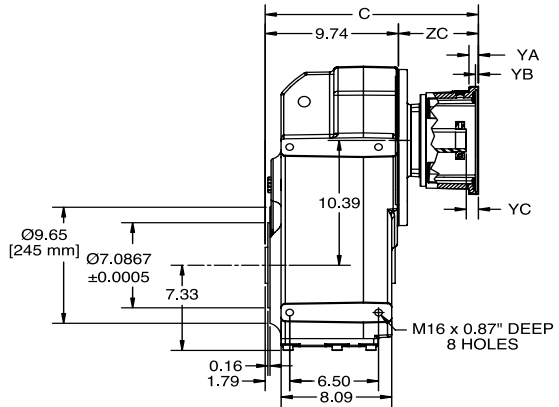
ILH

RHB

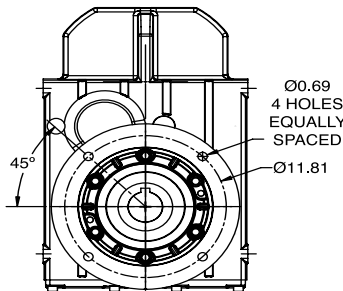
MSM



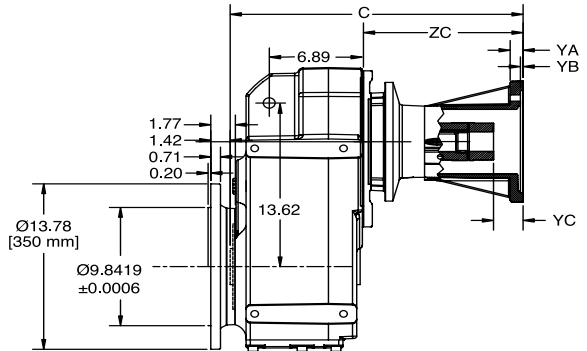
B14 OUTPUT FLANGE
Ø245 mm



CLAMP COLLAR

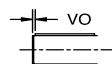


B5 OUTPUT FLANGE
Ø350 mm



THREE-PIECE COUPLED

METRIC OUTPUT SHAFT



NOMENCLATURE PAGE MSM-4	MOUNTING POSITIONS PAGE MSM-10	STOCK/NON-STOCK PART NUMBERS PAGE MSM-57	WEIGHTS PAGE MSM-250
----------------------------	-----------------------------------	---	-------------------------

DIMENSIONS



MOTORIZED SHAFT MOUNT REDUCER (MSM) NEMA C-Face - Universal Mounting - Clamp Collar / 3 Piece Coupled Double/Triple Reduction Straight Hollow Bore Output Shaft

SIZE: MW108

STANDARD HOLLOW OUTPUT SHAFT

Dimension - Inch/MM

ØU	tol.	UY	VH	KEY	M
2.375	+0.0012 +0.0004	2.66	2.53	5/8 x 5/8 x 4-1/16	3/4-10 x 3 UNC
60	+0.029 +0.010	64	68	18 x 11 x 100	M20 x 80

OPTIONAL HOLLOW OUTPUT SHAFT

Dimension - Inch/MM

ØU	tol.	UY	VH	KEY	M
2.4375	+0.0012 +0.0004	2.72	2.51	5/8 x 5/8 x 4	3/4-10 x 3 UNC
70	+0.029 +0.010	75	67	20 x 12 x 110	M20 x 80

NEMA MOTOR ADAPTER - CLAMP COLLAR

Dimension - Inch

	MW108 Double		MW108 Triple		DOUBLE / TRIPLE		
	C	ZC	C	ZC	YA	YB	YC
140TC	12.38	2.64	13.58	3.84	0.47	0.20	0.67
180TC	13.74	4.00	14.98	5.24	0.73	0.22	0.91
210TC	15.59	5.85	16.87	7.13	0.69	0.22	0.89
250TC	15.56	5.82	16.72	6.98	0.95	0.20	1.13
280TC	16.36	6.62	-	-	0.95	0.20	1.30

NEMA MOTOR ADAPTER - 3 PIECE COUPLED

Dimension - Inch

	MW108 Double		MW108 Triple		DOUBLE / TRIPLE		
	C	ZC	C	ZC	YA	YB	YC
140TC	16.26	6.52	17.46	7.72	0.55	0.20	1.10
180TC	17.32	7.58	18.56	8.82	0.73	0.22	1.65
210TC	19.21	9.47	20.49	10.75	0.87	0.22	2.01
250TC	21.22	11.48	22.38	12.64	0.95	0.20	2.17
280TC	23.91	14.17	-	-	0.95	0.20	2.57

Refer to page ENGINEERING-2 for Input Shaft and Flange details.

Refer to page ENGINEERING-8 and ENGINEERING-9 for driven shaft dimensions.

Refer to page MSM-232 for Twin Tapered Bushing details.

NOMENCLATURE PAGE MSM-4	MOUNTING POSITIONS PAGE MSM-10	STOCK/NON-STOCK PART NUMBERS PAGE MSM-57	WEIGHTS PAGE MSM-250
----------------------------	-----------------------------------	---	-------------------------

DIMENSIONS



QUANTIS

QUANTIS GOLD

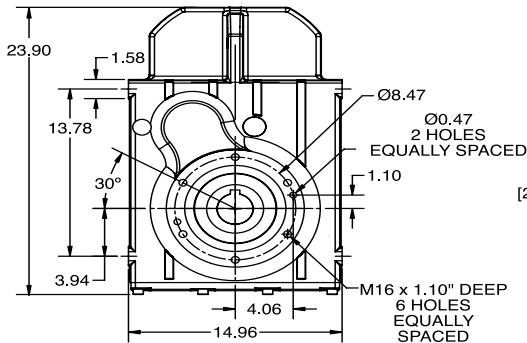
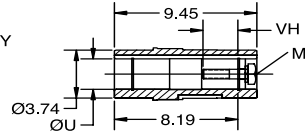
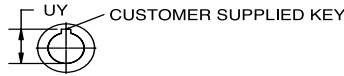
ILH

RHB

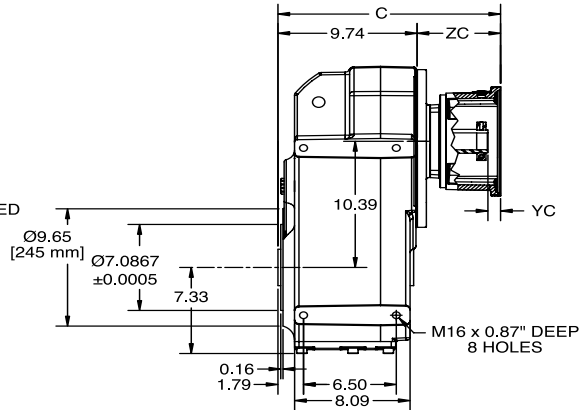
MSM

MOTORIZED SHAFT MOUNT REDUCER (MSM) IEC D Flange (B5 Input) - Universal Mounting - Clamp Collar / 3 Piece Coupled Double/Triple Reduction Straight Hollow Bore Output Shaft

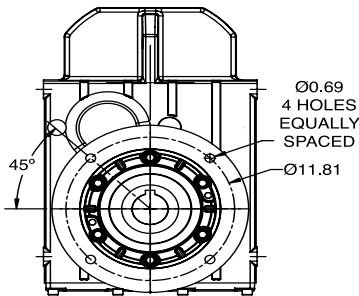
SIZE: MW108



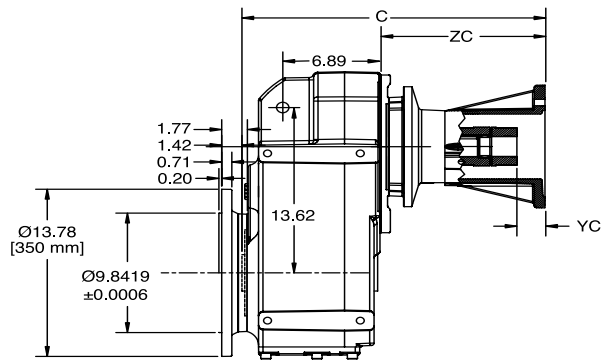
B14 OUTPUT FLANGE
Ø245 mm



CLAMP COLLAR

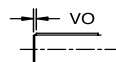


B5 OUTPUT FLANGE
Ø350 mm



THREE-PIECE COUPLED

METRIC OUTPUT SHAFT



NOMENCLATURE PAGE MSM-4	MOUNTING POSITIONS PAGE MSM-10	STOCK/NON-STOCK PART NUMBERS PAGE MSM-57	WEIGHTS PAGE MSM-250
----------------------------	-----------------------------------	---	-------------------------

DIMENSIONS



MOTORIZED SHAFT MOUNT REDUCER (MSM)

SIZE: MW108

IEC D Flange (B5 Input) - Universal Mounting - Clamp Collar / 3 Piece Coupled
Double/Triple Reduction
Straight Hollow Bore Output Shaft

STANDARD HOLLOW OUTPUT SHAFT

Dimension - Inch/MM

ØU	tol.	UY	VH	KEY	M
2.375	+0.0012 +0.0004	2.66	2.53	5/8 x 5/8 x 4-1/16	3/4-10 x 3 UNC
60	+0.029 +0.010	64	68	18 x 11 x 100	M20 x 80

OPTIONAL HOLLOW OUTPUT SHAFT

Dimension - Inch/MM

ØU	tol.	UY	VH	KEY	M
2.4375	+0.0012 +0.0004	2.72	2.51	5/8 x 5/8 x 4	3/4-10 x 3 UNC
70	+0.029 +0.010	75	67	20 x 12 x 110	M20 x 80

IEC MOTOR ADAPTER - CLAMP COLLAR

Dimension - Inch

	MW108 Double		MW108 Triple		DOUBLE/ TRIPLE
	C	ZC	C	ZC	YC
80D	---	---	13.15	3.41	0.61
90D	11.95	2.2	13.15	3.41	0.61
100D	12.13	2.38	13.44	3.7	0.28
112D	12.36	2.62	13.6	3.86	0.28
132D	13.94	4.19	15.22	5.47	0.87
160D	15.67	5.93	16.83	7.09	0.79
180D	16.2	6.46	---	---	0.85
200D	16.59	6.85	---	---	1.18

IEC MOTOR ADAPTER - 3 PIECE COUPLED

Dimension - Inch

	MW108 Double		MW108 Triple		DOUBLE/ TRIPLE
	C	ZC	C	ZC	YC
80D	---	---	17.38	7.64	0.59
90D	16.18	6.44	17.38	7.64	1.02
100D	16.95	7.2	18.27	8.52	1.18
112D	16.81	7.07	18.05	8.31	1.18
132D	19.19	9.45	20.47	10.73	1.77
160D	21.85	12.11	23.01	13.27	2.6
180D	23.84	14.09	---	---	2.32
200D	23.88	14.13	---	---	2.36

Refer to page ENGINEERING-3 for Input Shaft and Flange details.

Refer to page ENGINEERING-8 and ENGINEERING-9 for driven shaft dimensions.

Refer to page MSM-232 for Twin Tapered Bushing details.

NOMENCLATURE PAGE MSM-4	MOUNTING POSITIONS PAGE MSM-10	STOCK/NON-STOCK PART NUMBERS PAGE MSM-57	WEIGHTS PAGE MSM-250
----------------------------	-----------------------------------	---	-------------------------

DIMENSIONS



MOTORIZED SHAFT MOUNT REDUCER (MSM)

SIZE: MW108

Separate - Universal Mounting
 Double/Triple Reduction
 Straight Hollow Bore Output Shaft

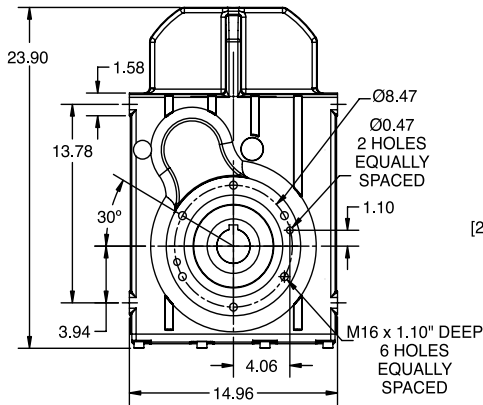
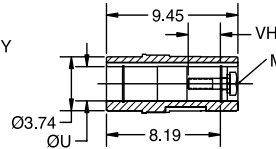
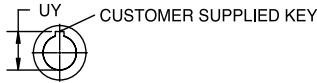
QUANTIS

QUANTIS GOLD

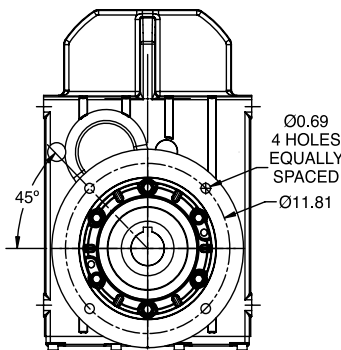
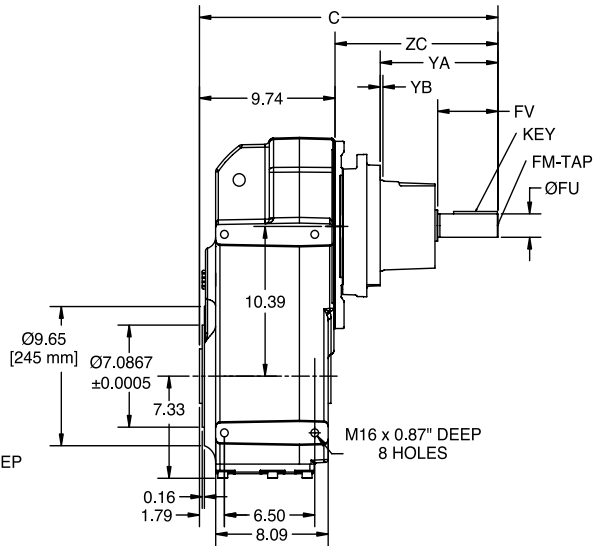
ILH

RHB

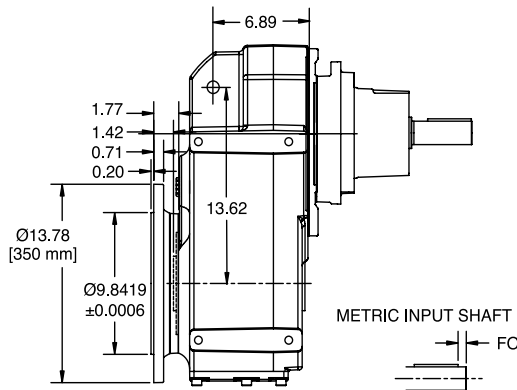
MSM



B14 OUTPUT FLANGE
 Ø245 mm



B5 OUTPUT FLANGE
 Ø350 mm



NOMENCLATURE PAGE MSM-4	MOUNTING POSITIONS PAGE MSM-10	STOCK/NON-STOCK PART NUMBERS PAGE MSM-57	WEIGHTS PAGE MSM-250
----------------------------	-----------------------------------	---	-------------------------

DIMENSIONS



MOTORIZED SHAFT MOUNT REDUCER (MSM)

SIZE: MW108

Separate - Universal Mounting
Double/Triple Reduction
Straight Hollow Bore Output Shaft

STANDARD HOLLOW OUTPUT SHAFT

Dimension - Inch/MM

ØU	tol.	UY	VH	KEY	M
2.375	+0.0012 +0.0004	2.66	2.53	5/8 x 5/8 x 4-1/16	3/4-10 x 3 UNC
60	+0.029 +0.010	64	68	18 x 11 x 100	M20 x 80

OPTIONAL HOLLOW OUTPUT SHAFT

Dimension - Inch/MM

ØU	tol.	UY	VH	KEY	M
2.4375	+0.0012 +0.0004	2.72	2.51	5/8 x 5/8 x 4	3/4-10 x 3 UNC
70	+0.029 +0.010	75	67	20 x 12 x 110	M20 x 80

SEPARATE INPUT

Dimension - Inch/MM

	MW108 Double		MW108 Triple		DOUBLE/ TRIPLE							
	C	ZC	C	ZC	FO	FM x DEPTH	ØFU	tol.	FV	YA	YB	Key
80	---	---	16.77	7.03	---	1/4-20 UNC x 0.63	0.750	+0.0000 -0.0005	1.57	2.40	0.16	3/16 x 3/16 x 1-5/16
	---	---	426	179	4	M6 x 16	19	+0.015 +0.002	40			6 x 6 x 32
90	15.96	6.22	17.17	7.42	---	5/16-18 UNC x 0.75	0.875	+0.0000 -0.0005	1.97	2.80	0.16	3/16 x 3/16 x 1-5/8
	406	158	436	189	5	M8 x 19	24	+0.015 +0.002	50			8 x 7 x 40
100	16.48	6.73	17.80	8.05	---	3/8 -16 UNC x 0.87	1.125	+0.0000 -0.0005	2.36	3.27	0.16	1/4 x 1/4 x 2
	419	171	452	205	5	M10 x 22	28	+0.015 +0.002	60			8 x 7 x 50
112	16.42	6.67	17.66	7.91	---	3/8 -16 UNC x 0.87	1.250	+0.0000 -0.0005	2.36	3.27	0.16	1/4 x 1/4 x 2
	417	170	449	201	5	M10 x 22	28	+0.015 +0.002	60			8 x 7 x 50
132	19.70	9.96	20.98	11.24	---	3/8-16 UNC x 1.10	1.375	+0.0000 -0.0005	3.15	6.61	0.14	5/16 x 5/16 x 2-3/4
	501	253	533	286	5	M12 x 28	38	+0.018 +0.002	80			10 x 8 x 70
160	21.46	11.71	22.62	12.87	---	5/8-11 UNC x 1.42	1.625	+0.0000 -0.0010	4.33	8.46	0.14	3/8 x 3/8 x 3-1/2
	545	298	575	327	10	M16 x 36	42	+0.018 +0.002	110			12 x 8 x 90
180	22.26	12.52	---	---	---	3/4-10 UNC x 1.65	2.125	+0.0000 -0.0010	4.33	9.25	0.16	1/2 x 1/2 x 3-5/8
	566	318	---	---	10	M20 x 42	55	+0.030 +0.011	110			16 x 10 x 90

Refer to page ENGINEERING-4 for Input Shaft and Flange details.
Refer to page ENGINEERING-8 and ENGINEERING-9 for driven shaft dimensions.
Refer to page MSM-232 for Twin Tapered Bushing details.

NOMENCLATURE PAGE MSM-4	MOUNTING POSITIONS PAGE MSM-10	STOCK/NON-STOCK PART NUMBERS PAGE MSM-57	WEIGHTS PAGE MSM-250
----------------------------	-----------------------------------	---	-------------------------

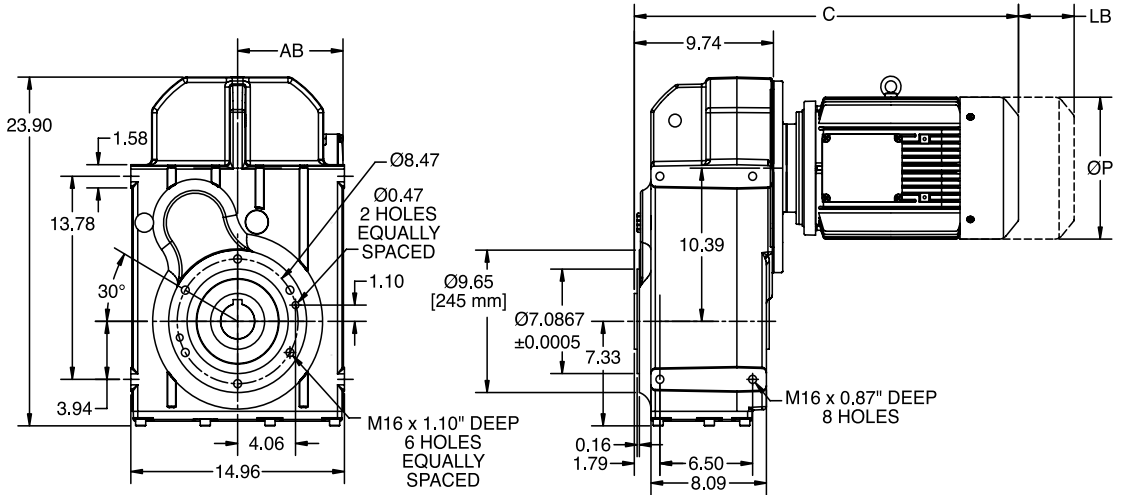
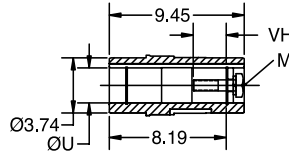
DIMENSIONS



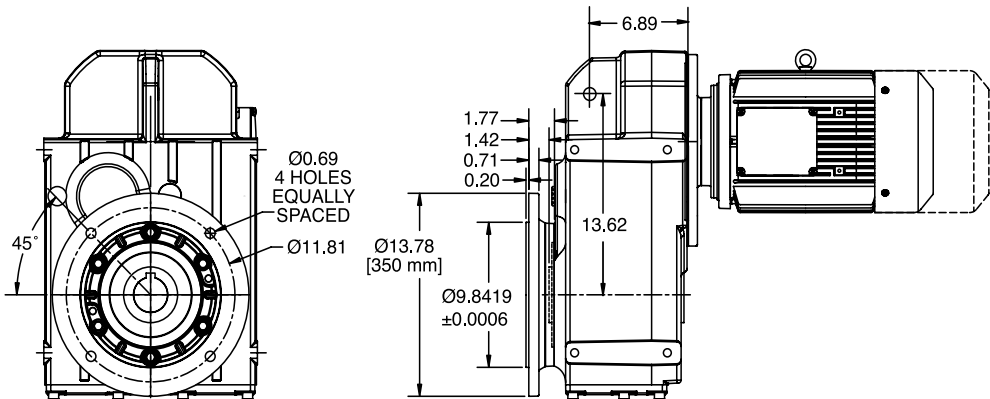
MOTORIZED SHAFT MOUNT REDUCER (MSM)

SIZE: MW108

Integral Gearmotor - Universal Mounting
 Double/Triple Reduction
 Straight Hollow Bore Output Shaft



B14 OUTPUT FLANGE
 Ø245 mm



B5 OUTPUT FLANGE
 Ø350 mm

NOMENCLATURE
 PAGE MSM-4

MOUNTING POSITIONS
 PAGE MSM-10

STOCK/NON-STOCK PART NUMBERS
 PAGE MSM-57

WEIGHTS
 PAGE MSM-250

DIMENSIONS



MOTORIZED SHAFT MOUNT REDUCER (MSM)

SIZE: MW108

Integral Gearmotor - Universal Mounting
 Double/Triple Reduction
 Straight Hollow Bore Output Shaft

STANDARD HOLLOW OUTPUT SHAFT

Dimension - Inch/MM

ØU	tol.	UY	VH	KEY	M
2.375	+0.0012 +0.0004	2.66	2.53	5/8 x 5/8 x 4-1/16	3/4-10 x 3 UNC
60	+0.029 +0.010	64	68	18 x 11 x 100	M20 x 80

OPTIONAL HOLLOW OUTPUT SHAFT

Dimension - Inch/MM

ØU	tol.	UY	VH	KEY	M
2.4375	+0.0012 +0.0004	2.72	2.51	5/8 x 5/8 x 4	3/4-10 x 3 UNC
70	+0.029 +0.010	75	67	20 x 12 x 110	M20 x 80

MOTOR

Dimension - Inch/MM

Frame	MW108 Double		MW108 Triple		P	AB
	C	LB	C	LB		
80F4	-	-	20.14	2.56	6.19	5.12
			512	65	158	131
80G4	-	-	21.64	2.56	6.19	5.12
			550	65	158	131
90H4	20.36	2.52	21.56	2.52	7.19	5.79
	518	64	548	64	183	148
90I4	21.25	2.52	22.45	2.52	7.19	5.79
	540	64	571	64	183	148
100J4	23.13	2.91	24.45	2.91	7.19	5.79
	588	74	622	74	183	148
112L4	24.76	2.91	26	2.91	8.6	6.88
	629	74	661	74	219	175
132M4	26.28	3.9	27.56	3.9	10.28	8.09
	668	99	701	99	262	206
132N4	27.78	3.9	29.06	3.9	10.28	8.09
	706	99	739	99	262	206

Refer to page ENGINEERING-8 and ENGINEERING-9 for driven shaft dimensions.
 Refer to page MSM-232 for Twin Tapered Bushing details.

NOMENCLATURE PAGE MSM-4	MOUNTING POSITIONS PAGE MSM-10	STOCK/NON-STOCK PART NUMBERS PAGE MSM-57	WEIGHTS PAGE MSM-250
----------------------------	-----------------------------------	---	-------------------------

DIMENSIONS



MOTORIZED SHAFT MOUNT REDUCER (MSM) NEMA C-Face - Universal Mounting - Clamp Collar / 3 Piece Coupled Double/Triple Reduction Solid Output Shaft

SIZE: MW128

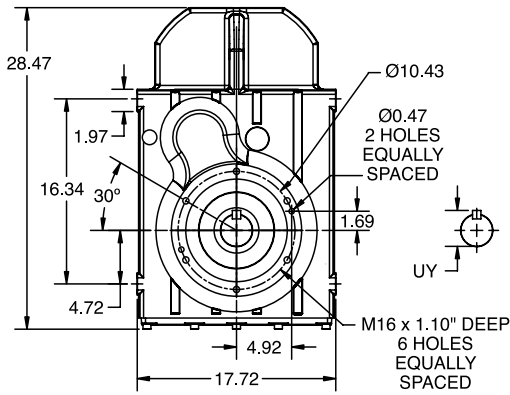
QUANTIS

QUANTIS GOLD

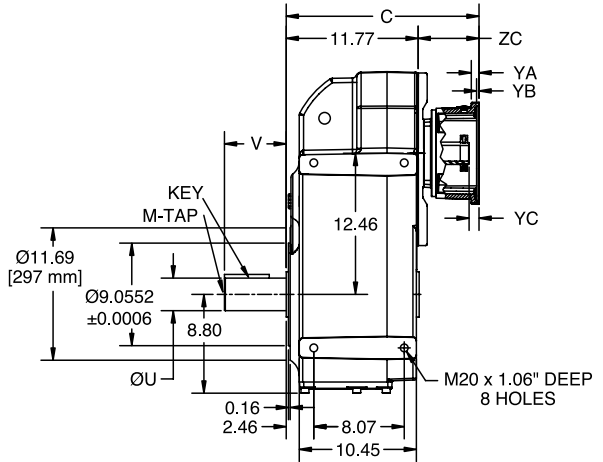
ILH

RHB

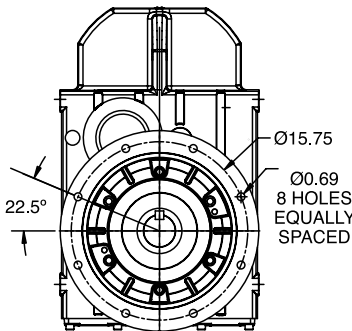
MSM



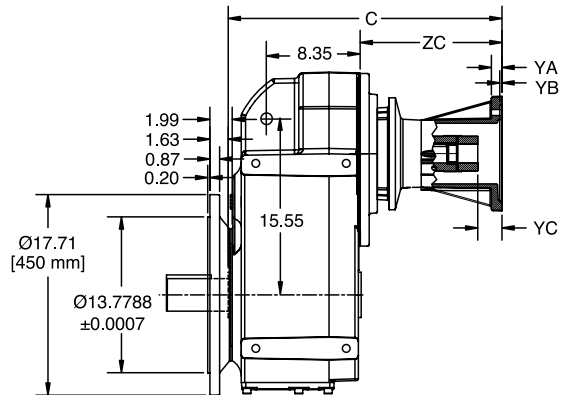
B14 OUTPUT FLANGE
Ø297 mm



CLAMP COLLAR



B5 OUTPUT FLANGE
Ø450 mm



THREE-PIECE COUPLED

METRIC OUTPUT SHAFT



NOMENCLATURE
PAGE MSM-4

MOUNTING POSITIONS
PAGE MSM-10

STOCK/NON-STOCK PART NUMBERS
PAGE MSM-57

WEIGHTS
PAGE MSM-250

DIMENSIONS



MOTORIZED SHAFT MOUNT REDUCER (MSM) NEMA C-Face - Universal Mounting - Clamp Collar / 3 Piece Coupled Double/Triple Reduction Solid Output Shaft

SIZE: MW128

STANDARD SOLID OUTPUT SHAFT

Dimension - Inch/MM

ØU	tol.	UY	V	VO	KEY	M-TAP x DEPTH
2.875	+0.0000 -0.0010	3.21	5.51	-	3/4 x 3/4 x 4	3/4 -10 UNC x 1.65
70	+0.030 +0.011	75	140	15	20 x 12 x 125	M20 x 42

OPTIONAL SOLID OUTPUT SHAFT

Dimension - Inch/MM

ØU	tol.	UY	V	VO	KEY	M-TAP x DEPTH
3.625	+0.0000 -0.0010	4.01	6.69	-	7/8 x 7/8 x 5-5/8	1-8 UNC x 1.97
90	+0.035 +0.013	95	170	15	25 x 14 x 140	M24 x 50

NEMA MOTOR ADAPTER - CLAMP COLLAR

Dimension - Inch

	MW128 Double		MW128 Triple		DOUBLE / TRIPLE		
	C	ZC	C	ZC	YA	YB	YC
140TC	-	-	15.33	3.56	0.47	0.20	0.67
180TC	15.35	3.58	16.69	4.92	0.73	0.22	0.91
210TC	16.98	5.21	18.32	6.55	0.69	0.22	0.89
250TC	16.93	5.16	18.39	6.62	0.95	0.20	1.13
280TC	17.86	6.09	19.32	7.54	0.95	0.20	1.30
320TC	19.49	7.72	-	-	1.02	0.20	1.19

NEMA MOTOR ADAPTER - 3 PIECE COUPLED

Dimension - Inch

	MW128 Double		MW128 Triple		DOUBLE / TRIPLE		
	C	ZC	C	ZC	YA	YB	YC
140TC	-	-	19.21	7.44	0.55	0.20	1.10
180TC	18.85	7.08	20.27	8.50	0.73	0.22	1.65
210TC	20.82	9.05	22.16	10.39	0.87	0.22	2.01
250TC	22.60	10.82	24.05	12.28	0.95	0.20	2.17
280TC	25.41	13.64	26.87	15.10	0.95	0.20	2.57
320TC	27.91	16.14	-	-	1.02	0.20	2.99

Refer to page ENGINEERING-2 for Input Shaft and Flange details.

NOMENCLATURE PAGE MSM-4	MOUNTING POSITIONS PAGE MSM-10	STOCK/NON-STOCK PART NUMBERS PAGE MSM-57	WEIGHTS PAGE MSM-250
----------------------------	-----------------------------------	---	-------------------------

DIMENSIONS



MOTORIZED SHAFT MOUNT REDUCER (MSM) IEC D Flange (B5 Input) - Universal Mounting - Clamp Collar / 3 Piece Coupled Double/Triple Reduction Solid Output Shaft

SIZE: MW128

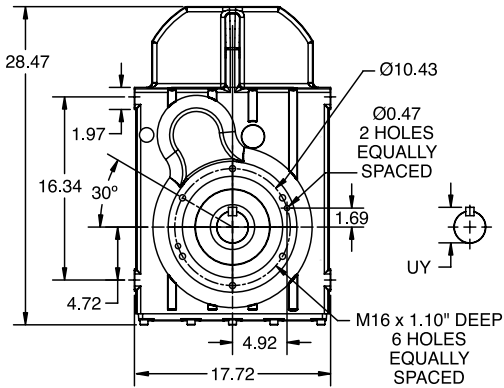
QUANTIS

QUANTIS GOLD

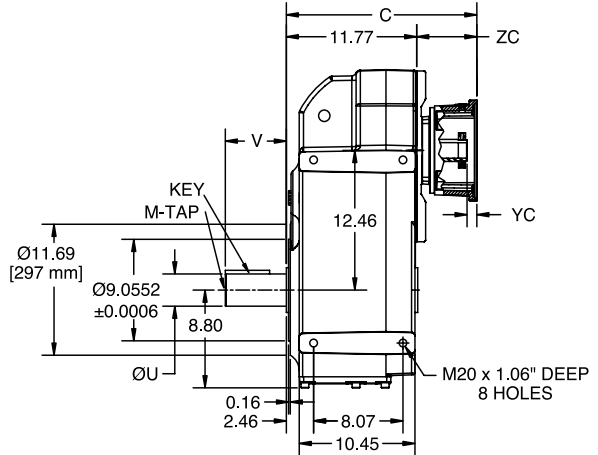
ILH

RHB

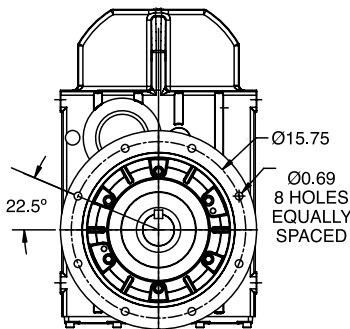
MSM



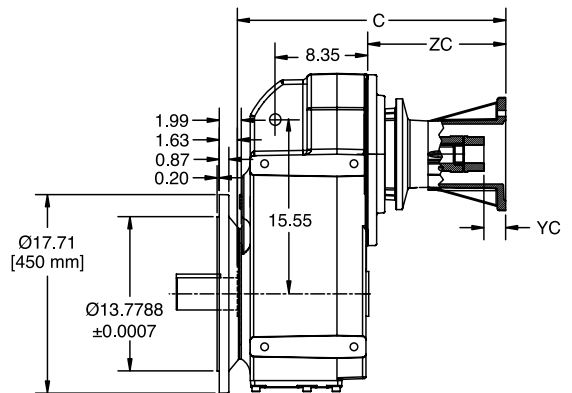
B14 OUTPUT FLANGE
Ø297 mm



CLAMP COLLAR



B5 OUTPUT FLANGE
Ø450 mm



THREE-PIECE COUPLED

METRIC OUTPUT SHAFT



NOMENCLATURE
PAGE MSM-4

MOUNTING POSITIONS
PAGE MSM-10

STOCK/NON-STOCK PART NUMBERS
PAGE MSM-57

WEIGHTS
PAGE MSM-250

DIMENSIONS



MOTORIZED SHAFT MOUNT REDUCER (MSM)

SIZE: MW128

IEC D Flange (B5 Input) - Universal Mounting - Clamp Collar / 3 Piece Coupled
Double/Triple Reduction
Solid Output Shaft

STANDARD SOLID OUTPUT SHAFT

Dimension - Inch/MM

ØU	tol.	UY	V	VO	KEY	M-TAP x DEPTH
2.875	+0.0000 -0.0010	3.21	5.51	-	3/4 x 3/4 x 4	3/4 -10 UNC x 1.65
70	+0.030 +0.011	75	140	15	20 x 12 x 125	M20 x 42

OPTIONAL SOLID OUTPUT SHAFT

Dimension - Inch/MM

ØU	tol.	UY	V	VO	KEY	M-TAP x DEPTH
3.625	+0.0000 -0.0010	4.01	6.69	-	7/8 x 7/8 x 5-5/8	1-8 UNC x 1.97
90	+0.035 +0.013	95	170	15	25 x 14 x 140	M24 x 50

IEC MOTOR ADAPTER - CLAMP COLLAR

Dimension - Inch

	MW128 Double		MW128 Triple		DOUBLE/ TRIPLE
	C	ZC	C	ZC	YC
90D	---	---	14.90	3.13	0.61
100D	13.78	2.01	15.20	3.43	0.28
112D	13.98	2.21	15.31	3.54	0.28
132D	15.55	3.78	16.89	5.12	0.87
160D	17.05	5.28	18.50	6.73	0.79
180D	17.70	5.93	19.15	7.38	0.85
200D	18.09	6.32	19.55	7.78	1.18

IEC MOTOR ADAPTER - 3 PIECE COUPLED

Dimension - Inch

	MW128 Double		MW128 Triple		DOUBLE/ TRIPLE
	C	ZC	C	ZC	YC
90D	---	---	19.13	7.36	1.02
100D	18.60	6.83	20.02	8.25	1.18
112D	18.43	6.65	19.76	7.99	1.18
132D	20.81	9.04	22.15	10.37	1.77
160D	23.23	11.46	24.69	12.91	2.60
180D	25.33	13.56	26.79	15.02	2.32
200D	25.37	13.60	26.83	15.06	2.36
225D	28.66	16.89	---	---	3.54

Refer to page ENGINEERING-3 for Input Shaft and Flange details.

NOMENCLATURE PAGE MSM-4	MOUNTING POSITIONS PAGE MSM-10	STOCK/NON-STOCK PART NUMBERS PAGE MSM-57	WEIGHTS PAGE MSM-250
----------------------------	-----------------------------------	---	-------------------------

DIMENSIONS



MOTORIZED SHAFT MOUNT REDUCER (MSM)

SIZE: MW128

Separate - Universal Mounting
 Double/Triple Reduction
 Solid Output Shaft

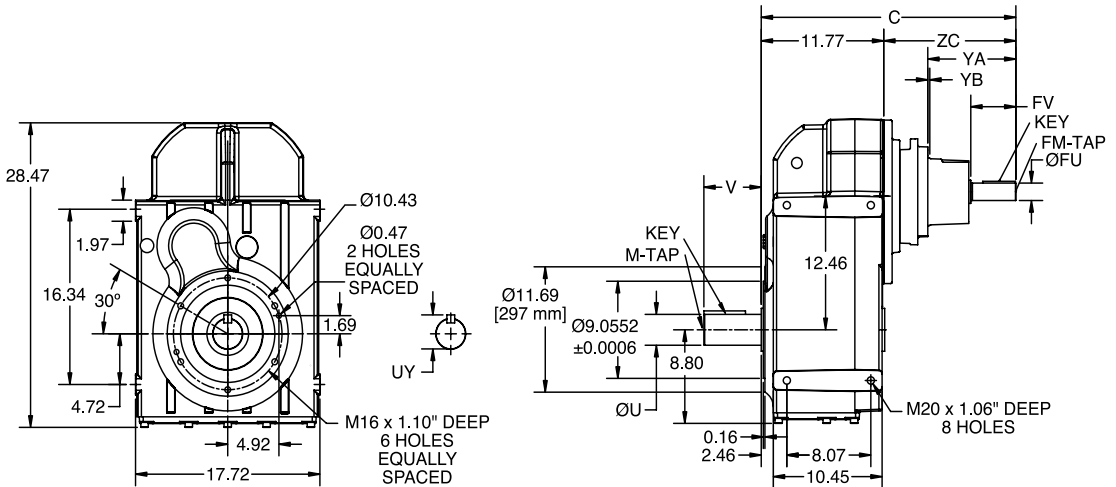
QUANTIS

QUANTIS GOLD

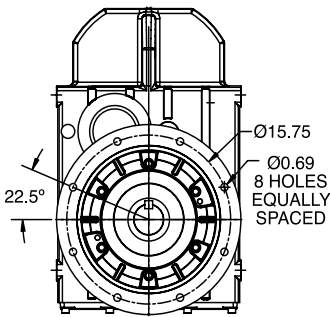
ILH

RHB

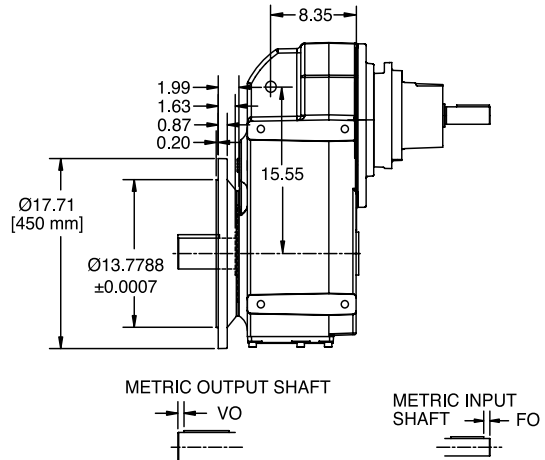
MSM



B14 OUTPUT FLANGE
 Ø297 mm



B5 OUTPUT FLANGE
 Ø450 mm



METRIC OUTPUT SHAFT

METRIC INPUT SHAFT

NOMENCLATURE
 PAGE MSM-4

MOUNTING POSITIONS
 PAGE MSM-10

STOCK/NON-STOCK PART NUMBERS
 PAGE MSM-57

WEIGHTS
 PAGE MSM-250

DIMENSIONS



MOTORIZED SHAFT MOUNT REDUCER (MSM)

SIZE: MW128

Separate - Universal Mounting
Double/Triple Reduction
Solid Output Shaft

STANDARD SOLID OUTPUT SHAFT

Dimension - Inch/MM

ØU	tol.	UY	V	VO	KEY	M-TAP x DEPTH
2.875	+0.0000 -0.0010	3.21	5.51	-	3/4 x 3/4 x 4	3/4 -10 UNC x 1.65
70	+0.030 +0.011	75	140	15	20 x 12 x 125	M20 x 42

OPTIONAL SOLID OUTPUT SHAFT

Dimension - Inch/MM

ØU	tol.	UY	V	VO	KEY	M-TAP x DEPTH
3.625	+0.0000 -0.0010	4.01	6.69	-	7/8 x 7/8 x 5-5/8	1-8 UNC x 1.97
90	+0.035 +0.013	95	170	15	25 x 14 x 140	M24 x 50

SEPARATE INPUT

Dimension - Inch/MM

	MW128 Double		MW128 Triple		DOUBLE/ TRIPLE							
	C	ZC	C	ZC	FO	FM x DEPTH	ØFU	tol.	FV	YA	YB	Key
90	---	---	18.92	7.15	---	5/16-18 UNC x 0.75	0.875	+0.0000 -0.0005	1.97	2.80	0.16	3/16 x 3/16 x 1-5/8
	---	---	481	182	5	M8 x 19	24	+0.015 +0.002	50			8 x 7 x 40
100	18.13	6.36	19.55	7.78	---	3/8-16 UNC x 0.87	1.125	+0.0000 -0.0005	2.36	3.27	0.16	1/4 x 1/4 x 2
	461	162	497	198	5	M10 x 22	28	+0.015 +0.002	60			8 x 7 x 50
112	18.03	6.26	19.37	7.60	---	3/8-16 UNC 0.87	1.250	+0.0000 -0.0005	2.36	3.27	0.16	1/4 x 1/4 x 2
	458	159	492	193	5	M10 x 22	28	+0.015 +0.002	60			8 x 7 x 50
132	21.32	9.55	22.66	10.89	---	3/8-16 UNC x 110	1.375	+0.0000 -0.0005	3.15	6.61	0.14	5/16 x 5/16 x 2-3/4
	542	243	576	277	5	M12 x 28	38	+0.018 +0.002	80			10 x 8 x 70
160	22.83	11.06	24.29	12.52	---	5/8-11 UNC x 1.42	1.625	+0.0000 -0.0010	4.33	8.46	0.14	3/8 x 3/8 x 3-1/2
	580	281	617	318	10	M16 x 36	42	+0.018 +0.002	110			12 x 8 x 90
180	23.76	11.99	25.22	13.44	---	3/4-10 UNC x 1.65	2.125	+0.0000 -0.0010	4.33	9.25	0.16	1/2 x 1/2 x 3-5/8
	604	305	641	342	10	M20 x 42	55	+0.030 +0.011	110			16 x 10 x 90
225	24.84	13.07	---	---	---	3/4-10 UNC x 1.65	2.125	+0.0000 -0.0010	4.33	9.02	0.14	1/2 x 1/2 x 3-5/8
	661	362	---	---	15	M20 x 42	60	+0.030 +0.011	140			259

Refer to page ENGINEERING-4 for Input Shaft and Flange details.

NOMENCLATURE PAGE MSM-4	MOUNTING POSITIONS PAGE MSM-10	STOCK/NON-STOCK PART NUMBERS PAGE MSM-57	WEIGHTS PAGE MSM-250
----------------------------	-----------------------------------	---	-------------------------

DIMENSIONS



MOTORIZED SHAFT MOUNT REDUCER (MSM)

SIZE: MW128

Integral Gearmotor - Universal Mounting
 Double/Triple Reduction
 Solid Output Shaft

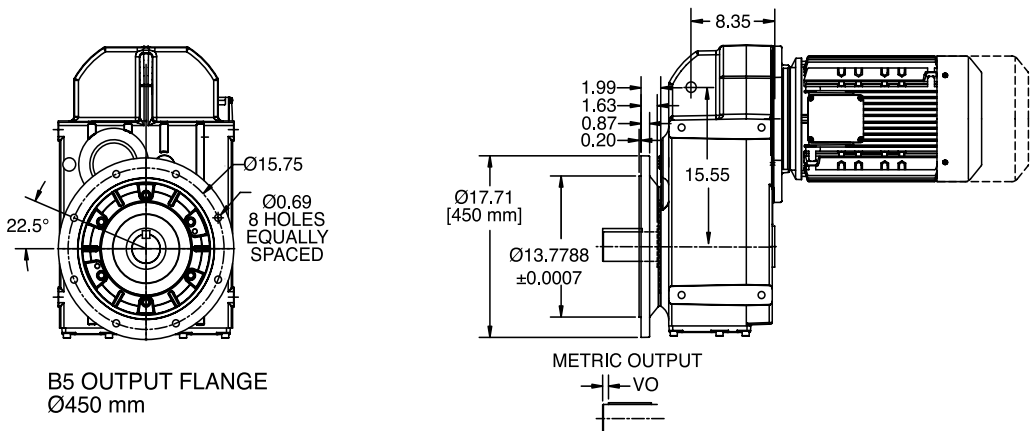
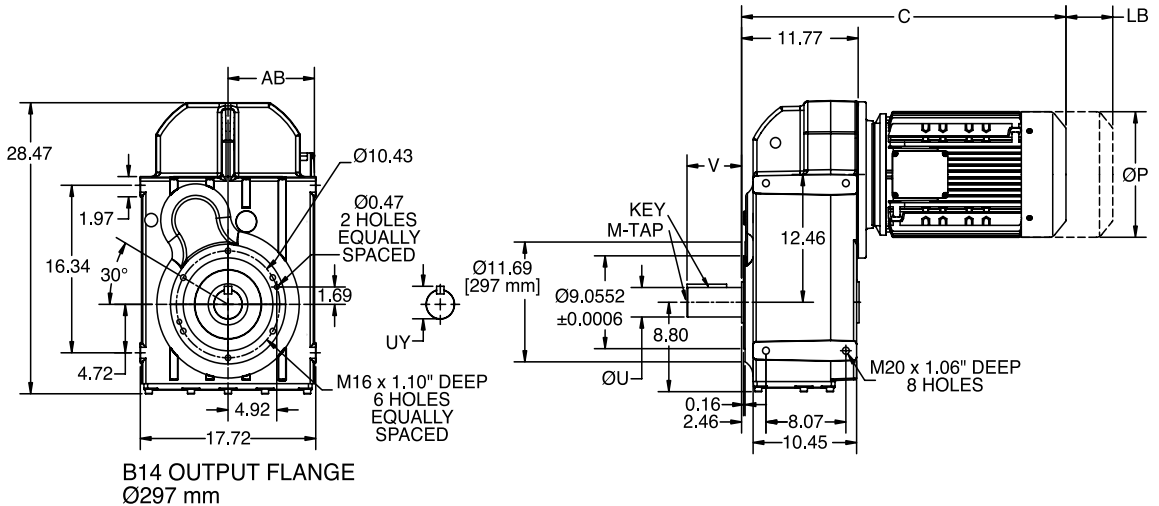
QUANTIS

QUANTIS GOLD

ILH

RHB

MSM



NOMENCLATURE PAGE MSM-4	MOUNTING POSITIONS PAGE MSM-10	STOCK/NON-STOCK PART NUMBERS PAGE MSM-57	WEIGHTS PAGE MSM-250
----------------------------	-----------------------------------	---	-------------------------

DIMENSIONS



MOTORIZED SHAFT MOUNT REDUCER (MSM)

SIZE: MW128

Integral Gearmotor - Universal Mounting
Double/Triple Reduction
Solid Output Shaft

STANDARD SOLID OUTPUT SHAFT

Dimension - Inch/MM

ØU	tol.	UY	V	VO	KEY	M-TAP x DEPTH
2.875	+0.0000 -0.0010	3.21	5.51	-	3/4 x 3/4 x 4	3/4-10 UNC x 1.65
70	+0.030 +0.011	75	140	15	20 x 12 x 125	M20 x 42

OPTIONAL SOLID OUTPUT SHAFT

Dimension - Inch/MM

ØU	tol.	UY	V	VO	KEY	M-TAP x DEPTH
3.625	+0.0000 -0.0010	4.01	6.69	-	7/8 x 7/8 x 5-5/8	1-8 UNC x 1.97
90	+0.035 +0.013	95	170	15	25 x 14 x 140	M24 x 50

MOTOR

Dimension - Inch/MM

Frame	MW128 Double		MW128 Triple		P	AB
	C	LB	C	LB		
90H4	-	-	23.32	2.52	7.19	5.79
			593	64	183	148
90I4	-	-	24.2	2.52	7.19	5.79
			615	64	183	148
100J4	24.78	2.91	26.2	2.91	7.19	5.79
	630	74	666	74	183	148
112L4	26.38	2.91	27.71	2.91	8.6	6.88
	671	74	704	74	219	175
132M4	27.89	3.9	29.23	3.9	10.28	8.09
	709	99	743	99	262	206
132N4	29.39	3.9	30.73	3.9	10.28	8.09
	747	99	781	99	262	206

NOMENCLATURE PAGE MSM-4	MOUNTING POSITIONS PAGE MSM-10	STOCK/NON-STOCK PART NUMBERS PAGE MSM-57	WEIGHTS PAGE MSM-250
----------------------------	-----------------------------------	---	-------------------------

DIMENSIONS



QUANTIS

QUANTIS GOLD

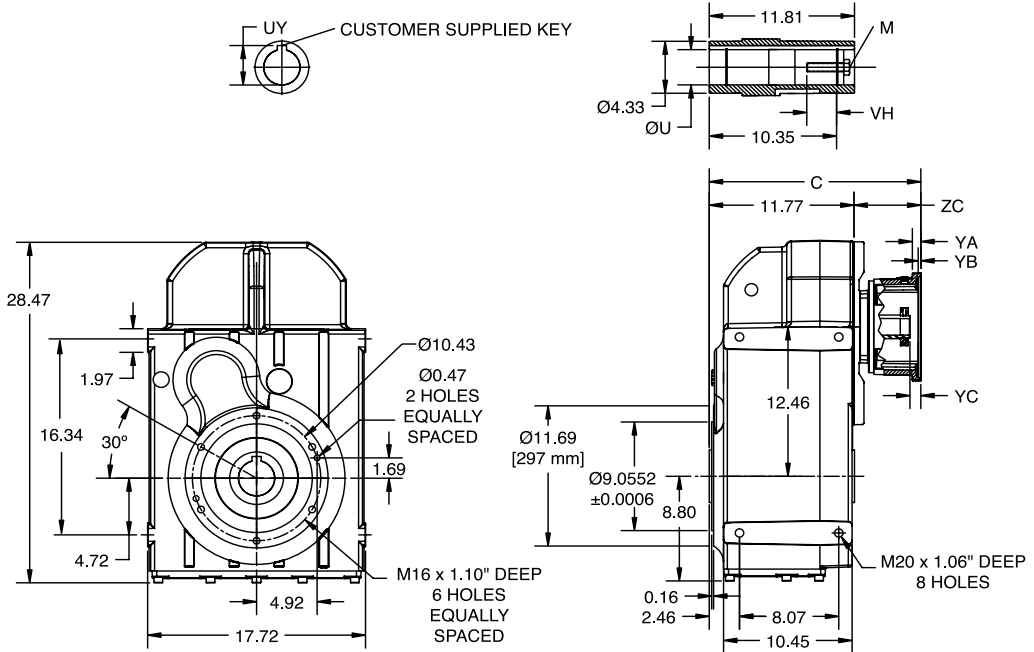
ILH

RHB

MSM

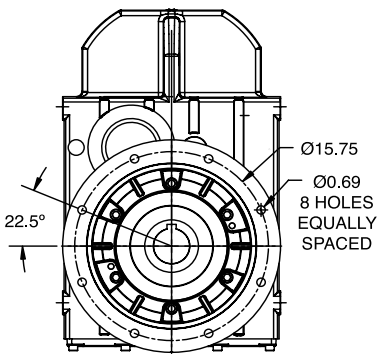
MOTORIZED SHAFT MOUNT REDUCER (MSM) NEMA C-Face - Universal Mounting - Clamp Collar / 3 Piece Coupled Double/Triple Reduction Straight Hollow Bore Output Shaft

SIZE: MW128

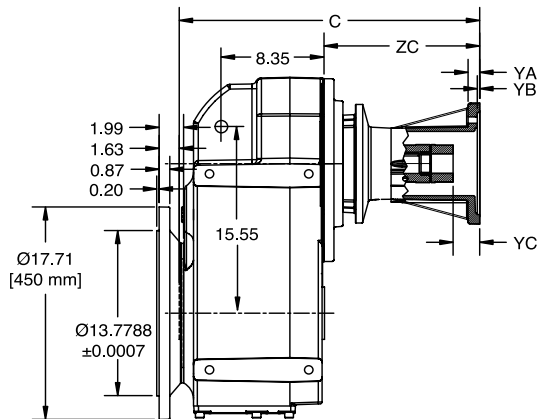


B14 OUTPUT FLANGE
Ø297 mm

CLAMP COLLAR



B5 OUTPUT FLANGE
Ø450 mm



THREE-PIECE COUPLED

NOMENCLATURE PAGE MSM-4	MOUNTING POSITIONS PAGE MSM-10	STOCK/NON-STOCK PART NUMBERS PAGE MSM-57	WEIGHTS PAGE MSM-250
----------------------------	-----------------------------------	---	-------------------------

DIMENSIONS



MOTORIZED SHAFT MOUNT REDUCER (MSM) NEMA C-Face - Universal Mounting - Clamp Collar / 3 Piece Coupled Double/Triple Reduction Straight Hollow Bore Output Shaft

SIZE: MW128

STANDARD HOLLOW OUTPUT SHAFT

Dimension - Inch/MM

ØU	tol.	UY	VH	KEY	M
2.75	0.001 0.000	3.04	2.51	5/8 x 5/8 x 6-1/8	3/4-10 x 3 UNC
70	0.029 0.01	75	68	20 x 12 x 110	M20 x 80

OPTIONAL HOLLOW OUTPUT SHAFT

Dimension - Inch/MM

ØU	tol.	UY	VH	KEY	M
2.938	0.001 0.000	3.27	2.31	3/4 x 3/4 x 4-7/8	3/4-10 x 3 UNC
80	0.029 0.01	85	67	22 x 14 x 125	M20 x 85

NEMA MOTOR ADAPTER - CLAMP COLLAR

Dimension - Inch

	MW128 Double		MW128 Triple		DOUBLE / TRIPLE		
	C	ZC	C	ZC	YA	YB	YC
140TC	-	-	15.33	3.56	0.47	0.20	0.67
180TC	15.35	3.58	16.69	4.92	0.73	0.22	0.91
210TC	16.98	5.21	18.32	6.55	0.69	0.22	0.89
250TC	16.93	5.16	18.39	6.62	0.95	0.20	1.13
280TC	17.86	6.09	19.32	7.54	0.95	0.20	1.30
320TC	19.49	7.72	-	-	1.02	0.20	1.19

NEMA MOTOR ADAPTER - 3 PIECE COUPLED

Dimension - Inch

	MW128 Double		MW128 Triple		DOUBLE / TRIPLE		
	C	ZC	C	ZC	YA	YB	YC
140TC	-	-	19.21	7.44	0.55	0.20	1.10
180TC	18.85	7.08	20.27	8.50	0.73	0.22	1.65
210TC	20.82	9.05	22.16	10.39	0.87	0.22	2.01
250TC	22.60	10.82	24.05	12.28	0.95	0.20	2.17
280TC	25.41	13.64	26.87	15.10	0.95	0.20	2.57
320TC	27.91	16.14	-	-	1.02	0.20	2.99

Refer to page ENGINEERING-2 for Input Shaft and Flange details.
Refer to page ENGINEERING-8 and ENGINEERING-9 for driven shaft dimensions.
Refer to page MSM-233 for Twin Tapered Bushing details.

NOMENCLATURE PAGE MSM-4	MOUNTING POSITIONS PAGE MSM-10	STOCK/NON-STOCK PART NUMBERS PAGE MSM-57	WEIGHTS PAGE MSM-250
----------------------------	-----------------------------------	---	-------------------------

DIMENSIONS



QUANTIS

QUANTIS GOLD

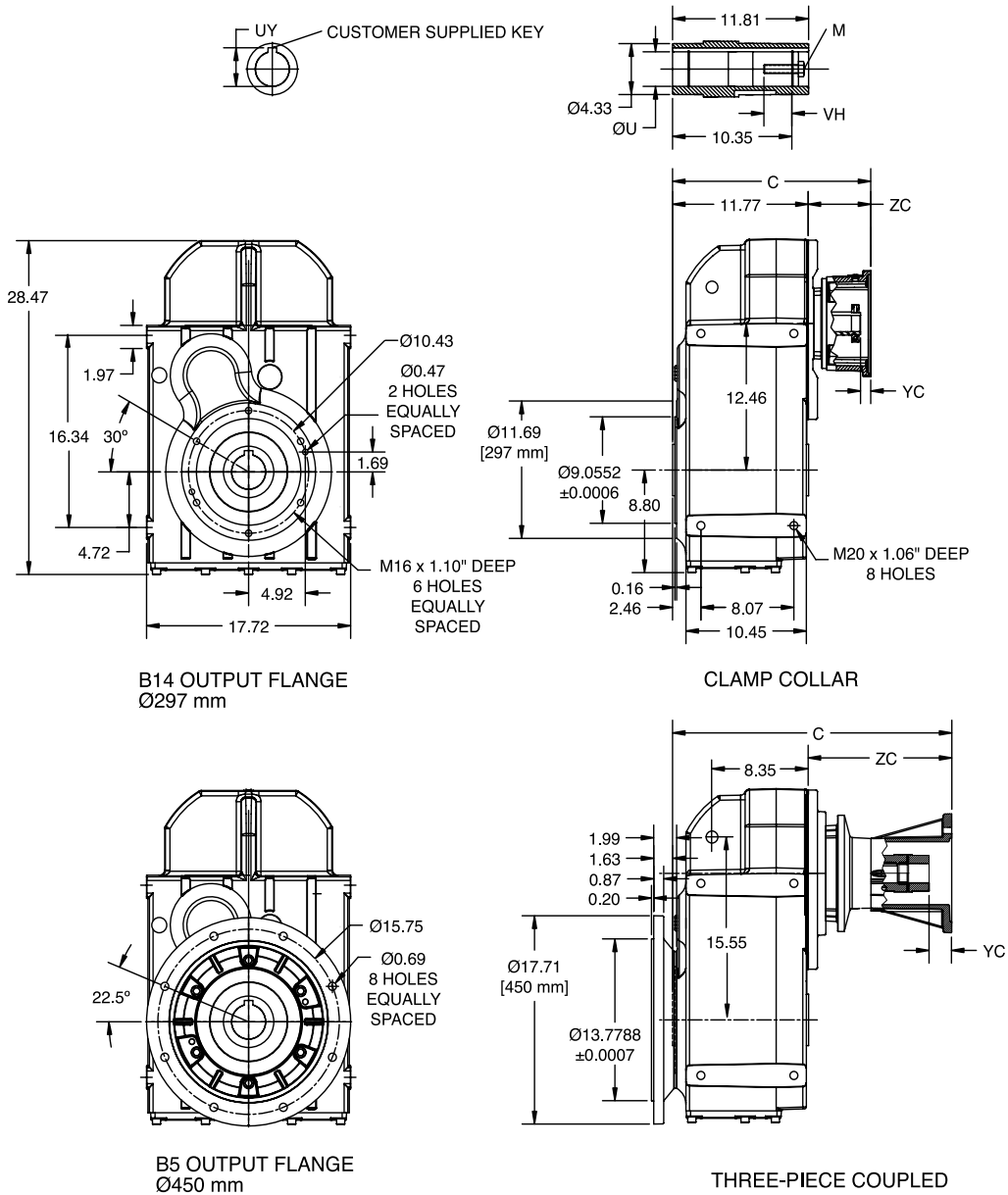
ILH

RHB

MSM

MOTORIZED SHAFT MOUNT REDUCER (MSM) IEC D Flange (B5 Input) - Universal Mounting - Clamp Collar / 3 Piece Coupled Double/Triple Reduction Straight Hollow Bore Output Shaft

SIZE: MW128



NOMENCLATURE PAGE MSM-4	MOUNTING POSITIONS PAGE MSM-10	STOCK/NON-STOCK PART NUMBERS PAGE MSM-57	WEIGHTS PAGE MSM-250
----------------------------	-----------------------------------	---	-------------------------

DIMENSIONS



MOTORIZED SHAFT MOUNT REDUCER (MSM)

SIZE: MW128

IEC D Flange (B5 Input) - Universal Mounting - Clamp Collar / 3 Piece Coupled
Double/Triple Reduction
Straight Hollow Bore Output Shaft

STANDARD HOLLOW OUTPUT SHAFT

Dimension - Inch/MM

ØU	tol.	UY	VH	KEY	M
2.750	+0.0012 +0.0004	3.04	2.51	5/8 x 5/8 x 6-1/8	3/4-10 x 3 UNC
70	+0.029 +0.010	75	68	20 x 12 x 110	M20 x 80

OPTIONAL HOLLOW OUTPUT SHAFT

Dimension - Inch/MM

ØU	tol.	UY	VH	KEY	M
2.9375	+0.0012 +0.0004	3.27	2.31	3/4 x 3/4 x 4-7/8	3/4-10 x 3 UNC
80	+0.029 +0.010	85	67	22 x 14 x 125	M20 x 85

IEC MOTOR ADAPTER - CLAMP COLLAR

Dimension - Inch

	MW128 Double		MW128 Triple		DOUBLE/ TRIPLE
	C	ZC	C	ZC	YC
90D	---	---	14.90	3.13	0.61
100D	13.78	2.01	15.20	3.43	0.28
112D	13.98	2.21	15.31	3.54	0.28
132D	15.55	3.78	16.89	5.12	0.87
160D	17.05	5.28	18.50	6.73	0.79
180D	17.70	5.93	19.15	7.38	0.85
200D	18.09	6.32	19.55	7.78	1.18

IEC MOTOR ADAPTER - 3 PIECE COUPLED

Dimension - Inch

	MW128 Double		MW128 Triple		DOUBLE/ TRIPLE
	C	ZC	C	ZC	YC
90D	---	---	19.13	7.36	1.02
100D	18.60	6.83	20.02	8.25	1.18
112D	18.43	6.65	19.76	7.99	1.18
132D	20.81	9.04	22.15	10.37	1.77
160D	23.23	11.46	24.69	12.91	2.60
180D	25.33	13.56	26.83	15.06	2.32
200D	25.37	13.60	26.85	15.06	2.36
225D	28.66	16.89	---	---	3.54

Refer to page ENGINEERING-3 for Input Shaft and Flange details.

Refer to page ENGINEERING-8 and ENGINEERING-9 for driven shaft dimensions.

Refer to page MSM-233 for Twin Tapered Bushing details.

NOMENCLATURE PAGE MSM-4	MOUNTING POSITIONS PAGE MSM-10	STOCK/NON-STOCK PART NUMBERS PAGE MSM-57	WEIGHTS PAGE MSM-250
----------------------------	-----------------------------------	---	-------------------------

DIMENSIONS



QUANTIS

QUANTIS GOLD

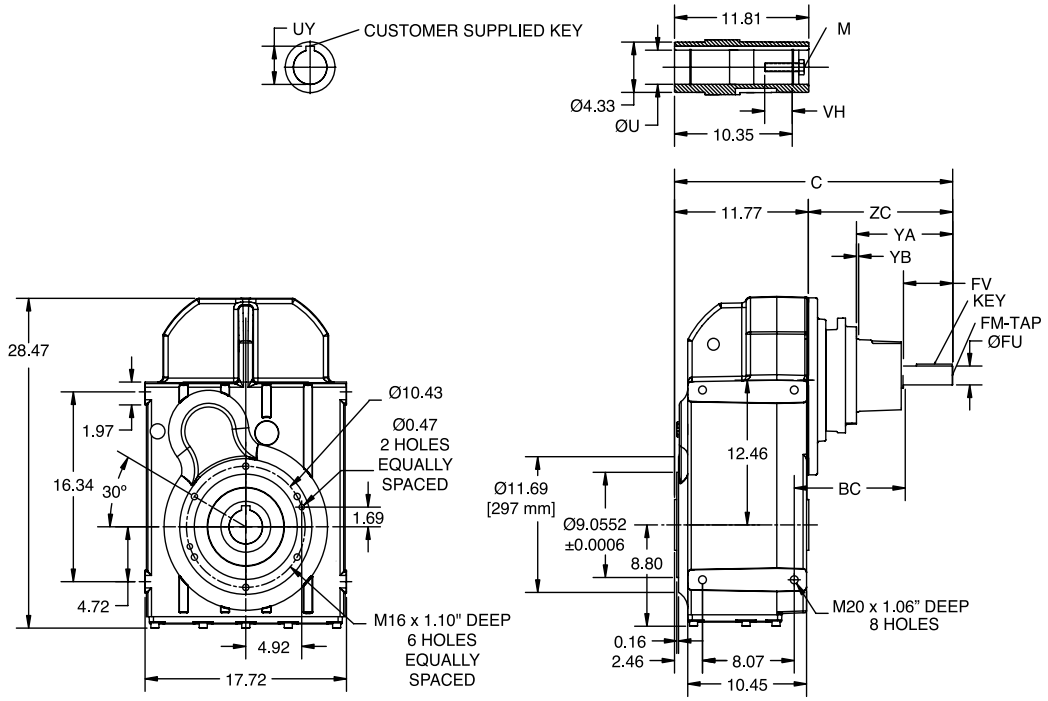
ILH

RHB

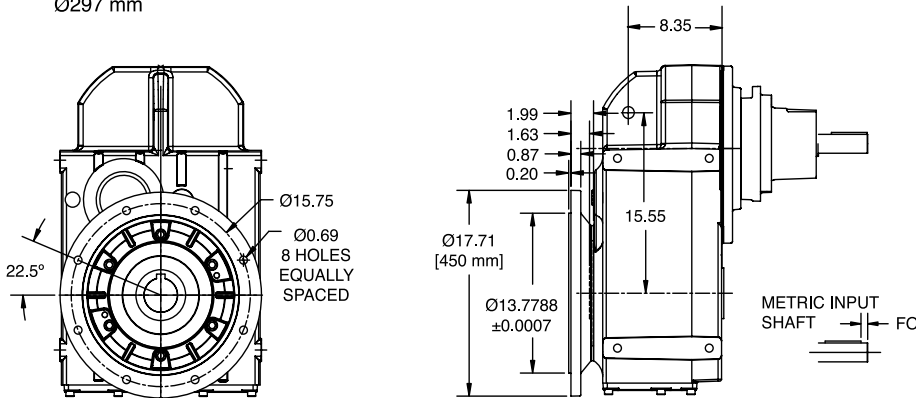
MSM

MOTORIZED SHAFT MOUNT REDUCER (MSM) Separate - Universal Mounting - Clamp Collar / 3 Piece Coupled Double/Triple Reduction Straight Hollow Bore Output Shaft

SIZE: MW128



B14 OUTPUT FLANGE
 Ø297 mm



B5 OUTPUT FLANGE
 Ø450 mm

NOMENCLATURE PAGE MSM-4	MOUNTING POSITIONS PAGE MSM-10	STOCK/NON-STOCK PART NUMBERS PAGE MSM-57	WEIGHTS PAGE MSM-250
----------------------------	-----------------------------------	---	-------------------------

DIMENSIONS



MOTORIZED SHAFT MOUNT REDUCER (MSM) Separate - Universal Mounting - Clamp Collar / 3 Piece Coupled Double/Triple Reduction Straight Hollow Bore Output Shaft

SIZE: MW128

STANDARD HOLLOW OUTPUT SHAFT

Dimension - Inch/MM

ØU	tol.	UY	VH	KEY	M
2.750	+0.0012 +0.0004	3.04	2.51	5/8 x 5/8 x 6-1/8	3/4-10 x 3 UNC
70	+0.029 +0.010	75	68	20 x 12 x 110	M20 x 80

OPTIONAL HOLLOW OUTPUT SHAFT

Dimension - Inch/MM

ØU	tol.	UY	VH	KEY	M
2.9375	+0.0012 +0.0004	3.27	2.31	3/4 x 3/4 x 4-7/8	3/4-10 x 3 UNC
80	+0.029 +0.010	85	67	22 x 14 x 125	M20 x 85

SEPARATE INPUT

Dimension - Inch/MM

	MW128 Double		MW128 Triple		DOUBLE/ TRIPLE							
	C	ZC	C	ZC	FO	FM x DEPTH	ØFU	tol.	FV	YA	YB	Key
90	---	---	18.92	7.15	---	5/16-18 UNC x 0.75	0.875	+0.0000 -0.0005	1.97	2.80	0.16	3/16 x 3/16 x 1-5/8
	---	---	481	182	5	M8 x 19	24	+0.015 +0.002	50			8 x 7 x 40
100	18.13	6.36	19.55	7.78	---	3/8-16 UNC x 0.87	1.125	+0.0000 -0.0005	2.36	3.27	0.16	1/4 x 1/4 x 2
	461	162	497	198	5	M10 x 22	28	+0.015 +0.002	60			8 x 7 x 50
112	18.03	6.26	19.37	7.60	---	3/8-16 UNC 0.87	1.250	+0.0000 -0.0005	2.36	3.27	0.16	1/4 x 1/4 x 2
	458	159	492	193	5	M10 x 22	28	+0.015 +0.002	60			8 x 7 x 50
132	21.32	9.55	22.66	10.89	---	3/8-16 UNC x 110	1.375	+0.0000 -0.0005	3.15	6.61	0.14	5/16 x 5/16 x 2-3/4
	542	243	576	277	5	M12 x 28	38	+0.018 +0.002	80			10 x 8 x 70
160	22.83	11.06	24.29	12.52	---	5/8-11 UNC x 1.42	1.625	+0.0000 -0.0010	4.33	8.46	0.14	3/8 x 3/8 x 3-1/2
	580	281	617	318	10	M16 x 36	42	+0.018 +0.002	110			12 x 8 x 90
180	23.76	11.99	25.22	13.44	---	3/4-10 UNC x 1.65	2.125	+0.0000 -0.0010	4.33	9.25	0.16	1/2 x 1/2 x 3-5/8
	604	305	641	342	10	M20 x 42	55	+0.030 +0.011	110			16 x 10 x 90
225	24.84	13.07	---	---	---	3/4-10 UNC x 1.65	2.125	+0.0000 -0.0010	4.33	9.02	0.14	1/2 x 1/2 x 3-5/8
	661	362	---	---	15	M20 x 42	60	+0.030 +0.011	140			259

Refer to page ENGINEERING-4 for Input Shaft and Flange details.
Refer to page ENGINEERING-8 and ENGINEERING-9 for driven shaft dimensions.
Refer to page MSM-233 for Twin Tapered Bushing details.

NOMENCLATURE PAGE MSM-4	MOUNTING POSITIONS PAGE MSM-10	STOCK/NON-STOCK PART NUMBERS PAGE MSM-57	WEIGHTS PAGE MSM-250
----------------------------	-----------------------------------	---	-------------------------

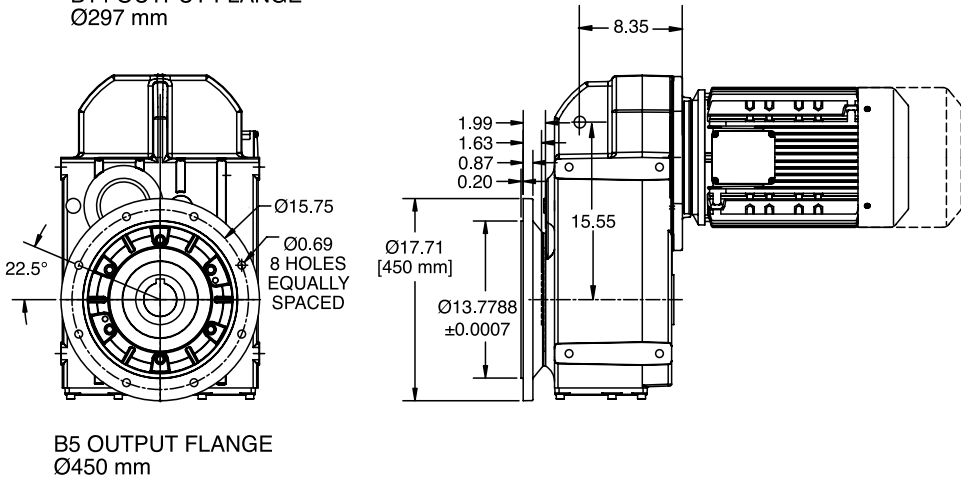
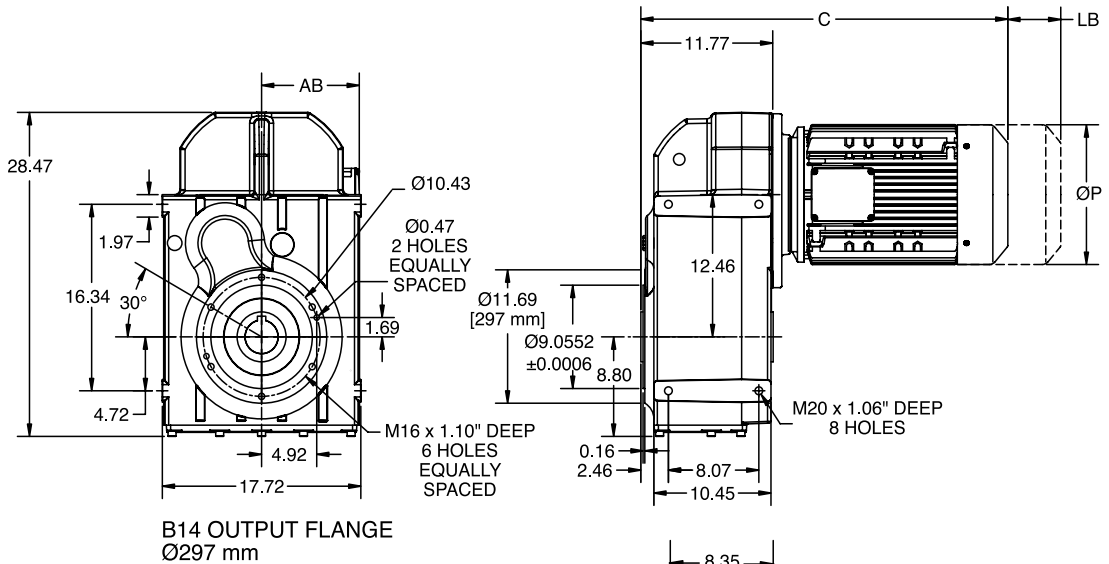
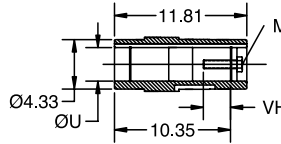
DIMENSIONS



MOTORIZED SHAFT MOUNT REDUCER (MSM)

SIZE: MW128

Integral Gearmotor - Universal Mounting
 Double/Triple Reduction
 Straight Hollow Bore Output Shaft



NOMENCLATURE
 PAGE MSM-4

MOUNTING POSITIONS
 PAGE MSM-10

STOCK/NON-STOCK PART NUMBERS
 PAGE MSM-57

WEIGHTS
 PAGE MSM-250

DIMENSIONS



MOTORIZED SHAFT MOUNT REDUCER (MSM)

SIZE: MW128

Integral Gearmotor - Universal Mounting
Double/Triple Reduction
Straight Hollow Bore Output Shaft

STANDARD HOLLOW OUTPUT SHAFT

Dimension - Inch/MM

ØU	tol.	UY	VH	KEY	M
2.750	+0.0012 +0.0004	3.04	2.51	5/8 x 5/8 x 6-1/8	3/4-10 x 3 UNC
70	+0.029 +0.010	75	68	20 x 12 x 110	M20 x 80

OPTIONAL HOLLOW OUTPUT SHAFT

Dimension - Inch/MM

ØU	tol.	UY	VH	KEY	M
2.9375	+0.0012 +0.0004	3.27	2.31	3/4 x 3/4 x 4-7/8	3/4-10 x 3 UNC
80	+0.029 +0.010	85	67	22 x 14 x 125	M20 x 85

MOTOR

Dimension - Inch/MM

Frame	MW128 Double		MW128 Triple		P	AB
	C	LB	C	LB		
90H4	-	-	23.32	2.52	7.19	5.79
			593	64	183	148
90I4	-	-	24.2	2.52	7.19	5.79
			615	64	183	148
100J4	24.78	2.91	26.2	2.91	7.19	5.79
	630	74	666	74	183	148
112L4	26.38	2.91	27.71	2.91	8.6	6.88
	671	74	704	74	219	175
132M4	27.89	3.9	29.23	3.9	10.28	8.09
	709	99	743	99	262	206
132N4	29.39	3.9	30.73	3.9	10.28	8.09
	747	99	781	99	262	206

Refer to page ENGINEERING-8 and ENGINEERING-9 for driven shaft dimensions.
Refer to page MSM-233 for Twin Tapered Bushing details.

NOMENCLATURE PAGE MSM-4	MOUNTING POSITIONS PAGE MSM-10	STOCK/NON-STOCK PART NUMBERS PAGE MSM-57	WEIGHTS PAGE MSM-250
----------------------------	-----------------------------------	---	-------------------------

DIMENSIONS



MOTORIZED SHAFT MOUNT REDUCER (MSM) NEMA C-Face - Universal Mounting - Clamp Collar / 3 Piece Coupled Double/Triple Reduction Solid Output Shaft

SIZE: MW148

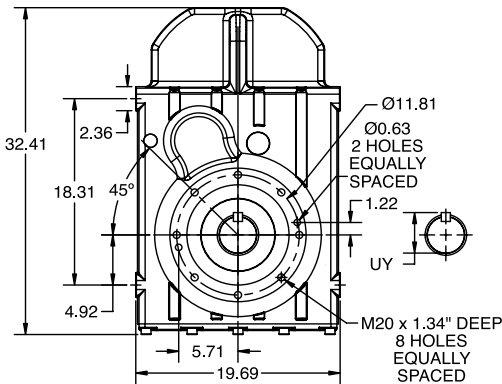
QUANTIS

QUANTIS GOLD

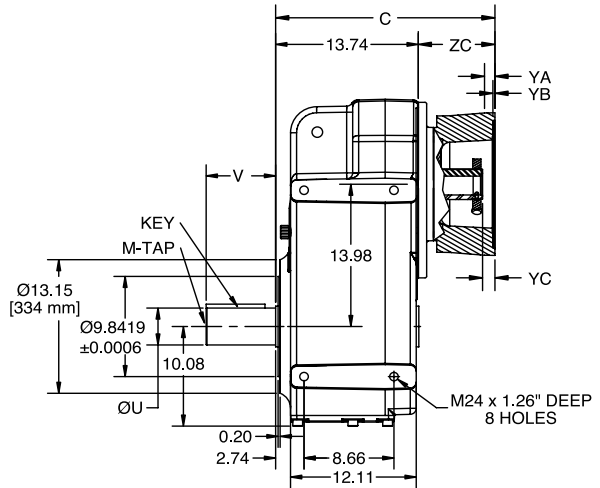
ILH

RHB

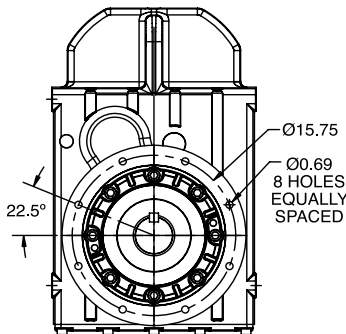
MSM



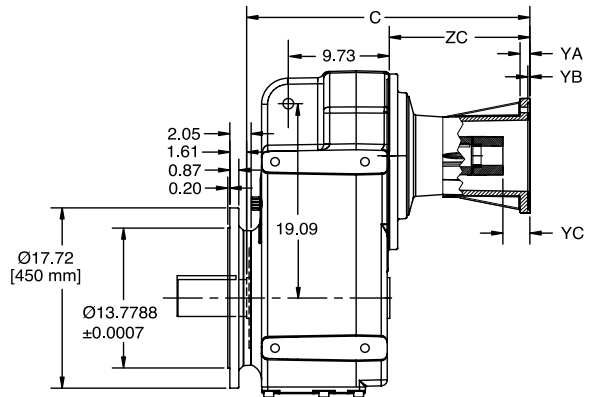
B14 OUTPUT FLANGE
 $\text{Ø}334$ mm



CLAMP COLLAR

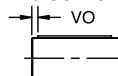


B5 OUTPUT FLANGE
 $\text{Ø}450$ mm



THREE-PIECE COUPLED

METRIC OUTPUT SHAFT



NOMENCLATURE PAGE MSM-4	MOUNTING POSITIONS PAGE MSM-10	STOCK/NON-STOCK PART NUMBERS PAGE MSM-57	WEIGHTS PAGE MSM-250
----------------------------	-----------------------------------	---	-------------------------

DIMENSIONS



MOTORIZED SHAFT MOUNT REDUCER (MSM) NEMA C-Face - Universal Mounting - Clamp Collar / 3 Piece Coupled Double/Triple Reduction Solid Output Shaft

SIZE: MW148

STANDARD SOLID OUTPUT SHAFT

Dimension - Inch/MM

ØU	tol.	UY	V	VO	KEY	M-TAP x DEPTH
3.625	+0.0000 -0.0010	4.01	6.69	-	7/8 x 7/8 x 5-1/4	1-8 UNC x 1.97
90	+0.035 +0.013	95	170	15	25 x 14 x 140	M24 x 50

OPTIONAL SOLID OUTPUT SHAFT

Dimension - Inch/MM

ØU	tol.	UY	V	VO	KEY	M-TAP x DEPTH
4.000	+0.0000 -0.0010	4.44	8.27	-	1 x 1 x 7-1/8	1-8 UNC x 1.97
100	+0.035 +0.013	106	210	15	28 x 16 x 180	M24 x 50

NEMA MOTOR ADAPTER - CLAMP COLLAR

Dimension - Inch

	MW148 Double		MW148 Triple		DOUBLE / TRIPLE		
	C	ZC	C	ZC	YA	YB	YC
180TC	-	-	18.54	4.80	0.73	0.22	0.91
210TC	18.64	4.90	20.13	6.39	0.69	0.22	0.89
250TC	18.61	4.87	20.10	6.36	0.95	0.20	1.13
280TC	19.53	5.79	20.03	7.29	0.95	0.20	1.30
320TC	21.14	7.40	22.66	8.92	1.02	0.20	1.19
360TC	22.65	8.91	-	-	1.02	0.20	1.48

NEMA MOTOR ADAPTER - 3 PIECE COUPLED

Dimension - Inch

	MW148 Double		MW148 Triple		DOUBLE / TRIPLE		
	C	ZC	C	ZC	YA	YB	YC
180TC	-	-	22.13	8.39	0.73	0.22	1.65
210TC	22.48	8.74	23.97	10.23	0.87	0.22	2.01
250TC	24.27	10.53	25.76	12.02	0.95	0.20	2.17
280TC	27.08	13.34	28.58	14.84	0.95	0.20	2.57
320TC	29.56	15.82	31.08	17.34	1.02	0.20	2.99
360TC	30.63	16.89	-	-	1.02	0.20	3.26

Refer to page ENGINEERING-2 for Input Shaft and Flange details.

NOMENCLATURE PAGE MSM-4	MOUNTING POSITIONS PAGE MSM-10	STOCK/NON-STOCK PART NUMBERS PAGE MSM-57	WEIGHTS PAGE MSM-250
----------------------------	-----------------------------------	---	-------------------------

DIMENSIONS



MOTORIZED SHAFT MOUNT REDUCER (MSM) IEC D Flange (B5 Input) - Universal Mounting - Clamp Collar / 3 Piece Coupled Double/Triple Reduction Solid Output Shaft

SIZE: MW148

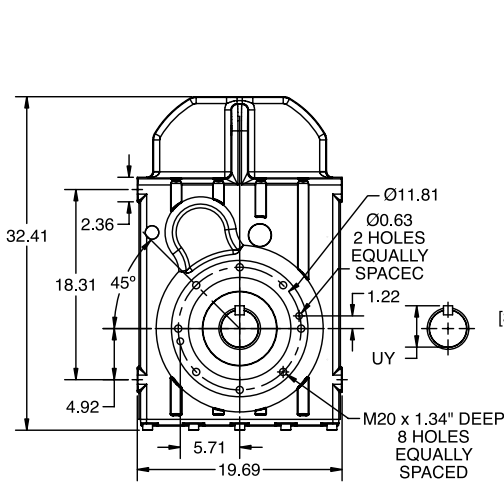
QUANTIS

QUANTIS GOLD

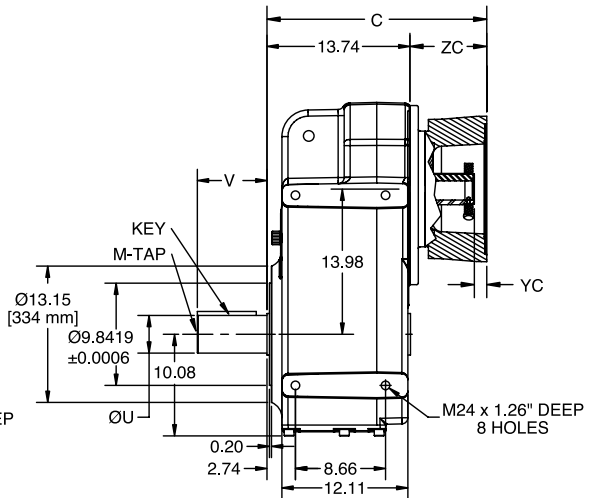
ILH

RHB

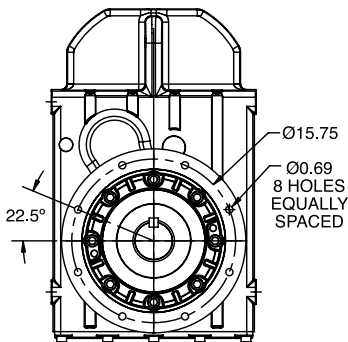
MSM



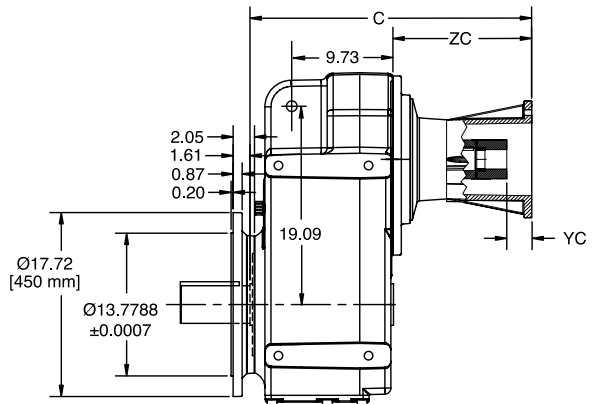
B14 OUTPUT FLANGE
 $\varnothing 334$ mm



CLAMP COLLAR

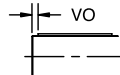


B5 OUTPUT FLANGE
 $\varnothing 450$ mm



THREE-PIECE COUPLED

METRIC OUTPUT SHAFT



NOMENCLATURE
PAGE MSM-4

MOUNTING POSITIONS
PAGE MSM-10

STOCK/NON-STOCK PART NUMBERS
PAGE MSM-57

WEIGHTS
PAGE MSM-250

DIMENSIONS



MOTORIZED SHAFT MOUNT REDUCER (MSM)

SIZE: MW148

IEC D Flange (B5 Input) - Universal Mounting - Clamp Collar / 3 Piece Coupled
Double/Triple Reduction
Solid Output Shaft

STANDARD SOLID OUTPUT SHAFT

Dimension - Inch/MM

ØU	tol.	UY	V	VO	KEY	M-TAP x DEPTH
3.625	+0.0000 -0.0010	4.01	6.69	-	7/8 x 7/8 x 5-1/4	1-8 UNC x 1.97
90	+0.035 +0.013	95	170	15	25 x 14 x 140	M24 x 50

OPTIONAL SOLID OUTPUT SHAFT

Dimension - Inch/MM

ØU	tol.	UY	V	VO	KEY	M-TAP x DEPTH
4.000	+0.0000 -0.0010	4.44	8.27	-	1 x 1 x 7-1/8	1-8 UNC x 1.97
100	+0.035 +0.013	106	210	15	28 x 16 x 180	M24 x 50

IEC MOTOR ADAPTER - CLAMP COLLAR

Dimension - Inch

	MW148 Double		MW148 Triple		DOUBLE/ TRIPLE
	C	ZC	C	ZC	YC
100D	---	---	16.97	3.23	0.28
112D	---	---	17.17	3.43	0.28
132D	17.20	3.46	18.70	4.96	0.87
160D	18.72	4.98	20.22	6.48	0.79
180D	19.37	5.63	20.87	7.13	0.85
200D	19.76	6.02	21.26	7.52	1.18

IEC MOTOR ADAPTER - 3 PIECE COUPLED

Dimension - Inch

	MW148 Double		MW148 Triple		DOUBLE/ TRIPLE
	C	ZC	C	ZC	YC
100D	---	---	21.79	8.05	1.18
112D	---	---	21.61	7.87	1.18
132D	22.46	8.72	23.96	10.22	1.77
160D	24.90	11.16	26.40	12.66	2.60
180D	27.00	13.27	28.50	14.76	2.32
200D	27.05	13.31	28.54	14.80	2.36
225D	30.33	16.59	31.83	18.09	3.54
250D	30.51	16.77	---	---	2.95

Refer to page ENGINEERING-3 for Input Shaft and Flange details

NOMENCLATURE PAGE MSM-4	MOUNTING POSITIONS PAGE MSM-10	STOCK/NON-STOCK PART NUMBERS PAGE MSM-57	WEIGHTS PAGE MSM-250
----------------------------	-----------------------------------	---	-------------------------

DIMENSIONS



MOTORIZED SHAFT MOUNT REDUCER (MSM)

SIZE: MW148

Separate - Universal Mounting
Double/Triple Reduction
Solid Output Shaft

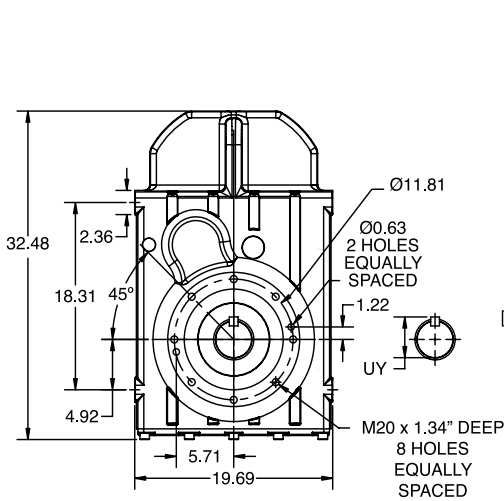
QUANTIS

QUANTIS GOLD

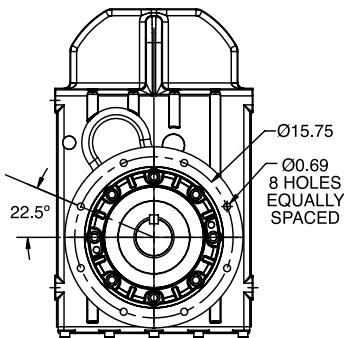
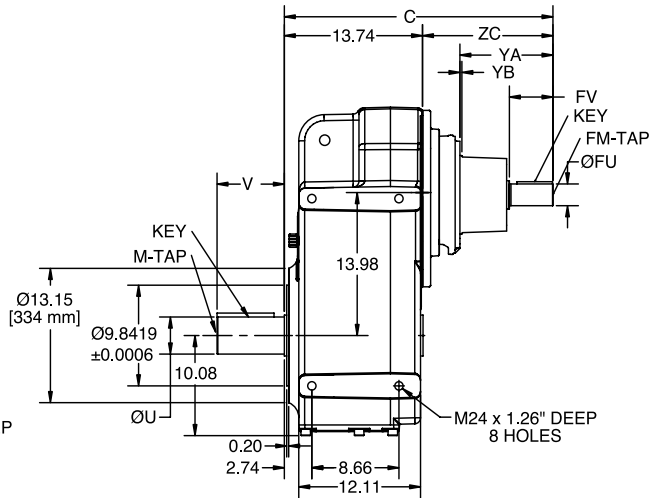
ILH

RHB

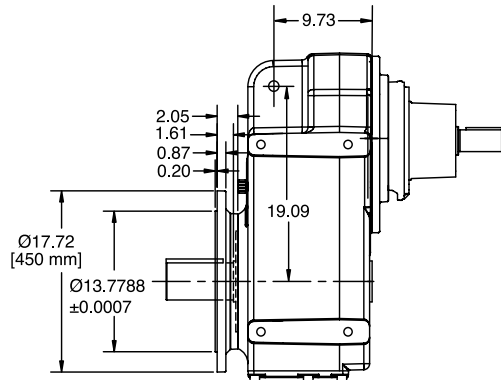
MSM



B14 OUTPUT FLANGE
Ø334 mm

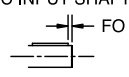
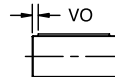


B5 OUTPUT FLANGE
Ø450 mm



METRIC OUTPUT SHAFT

METRIC INPUT SHAFT



NOMENCLATURE
PAGE MSM-4

MOUNTING POSITIONS
PAGE MSM-10

STOCK/NON-STOCK PART NUMBERS
PAGE MSM-57

WEIGHTS
PAGE MSM-250

DIMENSIONS



MOTORIZED SHAFT MOUNT REDUCER (MSM)

SIZE: MW148

Separate - Universal Mounting
Double/Triple Reduction
Solid Output Shaft

STANDARD SOLID OUTPUT SHAFT

Dimension - Inch/MM

ØU	tol.	UY	V	VO	KEY	M-TAP x DEPTH
3.625	+0.0000 -0.0010	4.01	6.69	-	7/8 x 7/8 x 5-1/4	1-8 UNC x 1.97
90	+0.035 +0.013	95	170	15	25 x 14 x 140	M24 x 50

OPTIONAL SOLID OUTPUT SHAFT

Dimension - Inch/MM

ØU	tol.	UY	V	VO	KEY	M-TAP x DEPTH
4.000	+0.0000 -0.0010	4.44	8.27	-	1 x 1 x 7-1/8	1-8 UNC x 1.97
100	+0.035 +0.013	106	210	15	28 x 16 x 180	M24 x 50

SEPARATE INPUT

Dimension - Inch/MM

	MW148 Double		MW148 Triple		DOUBLE/TRIPLE							
	C	ZC	C	ZC	FO	FM x DEPTH	ØFU	tol.	FV	YA	YB	Key
100	---	---	21.32	7.58	---	3/8-16 UNC x 0.87	1.125	+0.0000 -0.0005	2.36	3.27	0.16	1/4 x 1/4 x 2
	---	---	542	193	5	M10 x 22	28	+0.015 +0.002	60			8 x 7 x 50
112	---	---	21.22	7.48	---	3/8-16 UNC 0.87	1.25	+0.0000 -0.0005	2.36	3.27	0.16	1/4 x 1/4 x 2
	---	---	539	190	5	M10 x 22	28	+0.015 +0.002	60			8 x 7 x 50
132	22.97	9.23	24.47	10.73	---	3/8-16 UNC x 1.10	1.375	+0.0000 -0.0005	3.15	6.61	0.14	6/16 x 5/16 x 2-3/4
	584	235	622	273	5	M12 x 28	38	+0.018 +0.002	80			10 x 8 x 70
160	24.51	10.77	26.00	12.26	---	5/8-11 UNC x 1.42	1.625	+0.0000 -0.0010	4.33	8.46	0.14	3/8 x 3/8 x 3-1/2
	623	274	661	312	10	M16 x 36	42	+0.018 +0.002	110			12 x 8 x 90
180	25.43	11.69	26.93	13.19	---	3/4-10 UNC x 1.65	2.125	+0.0000 -0.0010	4.33	9.25	0.16	1/2 x 1/2 x 3-5/8
	646	297	684	335	10	M20 x 42	55	+0.030 +0.011	110			16 x 10 x 90
225	26.52	12.78	28.01	14.27	---	3/4-10 UNC x 1.65	2.125	+0.0000 -0.0010	4.33	9.02	0.14	1/2 x 1/2 x 3-5/8
	703	355	741	393	15	M20 x 42	60	+0.030 +0.011	140			259
250	27.68	13.94	---	---	---	3/4-10 UNC x 1.65	2.375	+0.0000 -0.0010	5.51	10.20	0.14	5/8 x 5/8 x 4-9/16
	703	354	---	---	15	M20 x 42	65	+0.030 +0.011	140			18 x 11 x 110

Refer to page ENGINEERING-4 for Input Shaft and Flange details.

NOMENCLATURE PAGE MSM-4	MOUNTING POSITIONS PAGE MSM-10	STOCK/NON-STOCK PART NUMBERS PAGE MSM-57	WEIGHTS PAGE MSM-250
----------------------------	-----------------------------------	---	-------------------------

DIMENSIONS



MOTORIZED SHAFT MOUNT REDUCER (MSM)

SIZE: MW148

Integral Gearmotor - Universal Mounting
Double/Triple Reduction
Solid Output Shaft

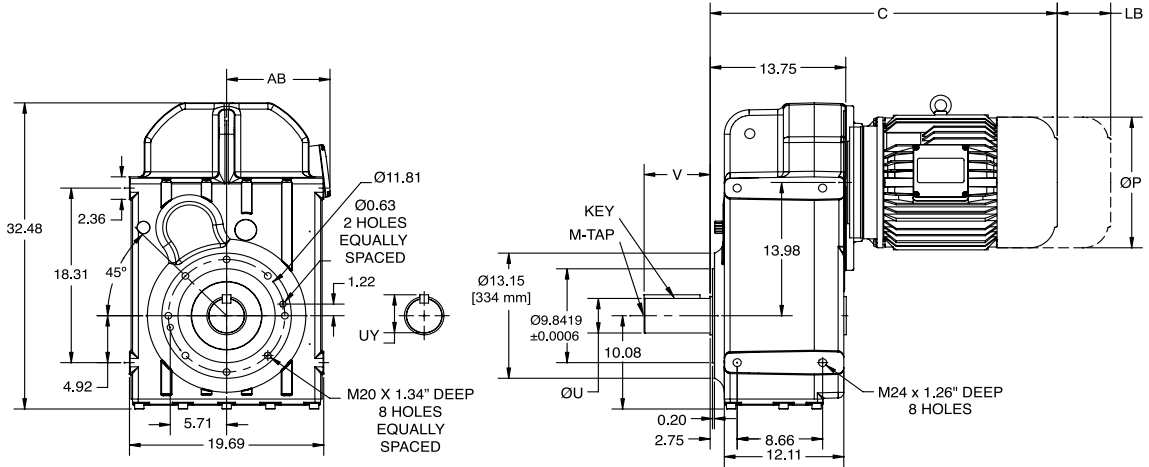
QUANTIS

QUANTIS GOLD

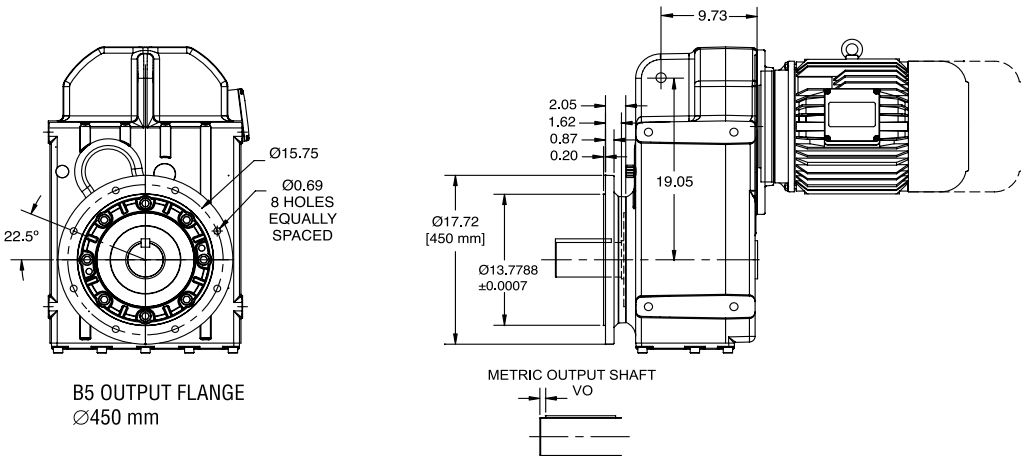
ILH

RHB

MSM

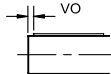


B14 OUTPUT FLANGE
Ø334 mm



B5 OUTPUT FLANGE
Ø450 mm

METRIC OUTPUT SHAFT



NOMENCLATURE
PAGE MSM-4

MOUNTING POSITIONS
PAGE MSM-10

STOCK/NON-STOCK PART NUMBERS
PAGE MSM-57

WEIGHTS
PAGE MSM-250

DIMENSIONS



MOTORIZED SHAFT MOUNT REDUCER (MSM)

SIZE: MW148

Integral Gearmotor - Universal Mounting
 Double/Triple Reduction
 Solid Output Shaft

STANDARD SOLID OUTPUT SHAFT

Dimension - Inch/MM

ØU	tol.	UY	V	VO	KEY	M-TAP x DEPTH
3.625	+0.0000 -0.0010	4.01	6.69	-	7/8 x 7/8 x 5-13/16	1-8 UNC x 1.97
90	+0.035 +0.013	95	170	15	25 x 14 x 140	M24 x 50

OPTIONAL SOLID OUTPUT SHAFT

Dimension - Inch/MM

ØU	tol.	UY	V	VO	KEY	M-TAP x DEPTH
4.000	+0.0000 -0.0010	4.44	8.27	-	1 x 1 x 7	1-8 UNC x 1.97
100	+0.035 +0.013	106	210	15	28 x 16 x 180	M24 x 50

MOTOR

Dimension -Inch/ MM

Frame	MW148 Double		MW148 Triple		P	AB
	C	LB	C	LB		
100J4	-	-	27.97	2.91	7.19	5.79
			711	74	183	148
112L4	-	-	29.56	2.91	8.6	6.88
			751	74	219	175
132M4	29.55	3.9	31.04	3.9	10.28	8.09
	751	99	789	99	262	206
132N4	31.05	3.9	32.54	3.9	10.28	8.09
	789	99	827	99	262	206

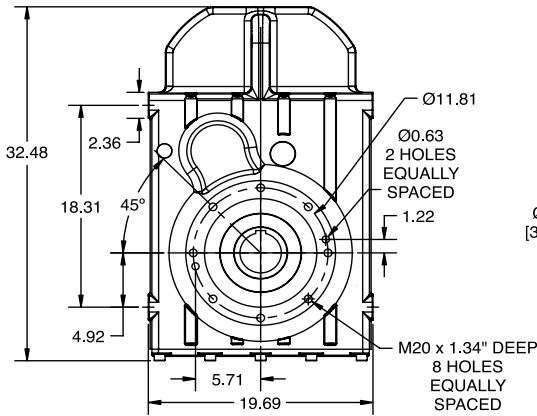
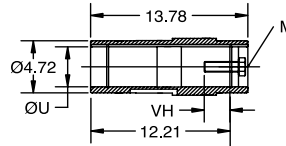
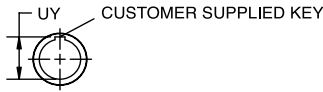
NOMENCLATURE PAGE MSM-4	MOUNTING POSITIONS PAGE MSM-10	STOCK/NON-STOCK PART NUMBERS PAGE MSM-57	WEIGHTS PAGE MSM-250
----------------------------	-----------------------------------	---	-------------------------

DIMENSIONS

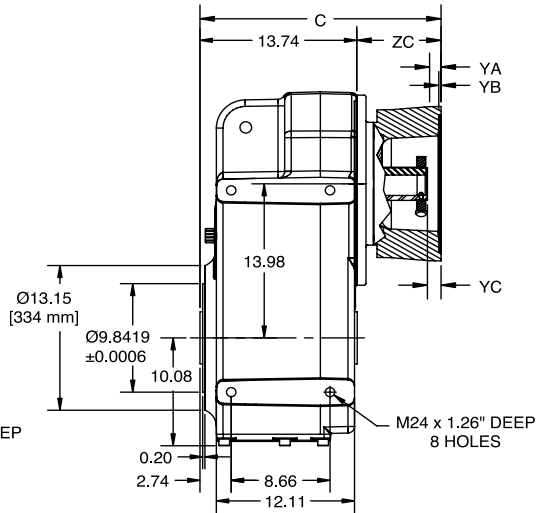


MOTORIZED SHAFT MOUNT REDUCER (MSM) NEMA C-Face - Universal Mounting - Clamp Collar / 3 Piece Coupled Double/Triple Reduction Straight Hollow Bore Output Shaft

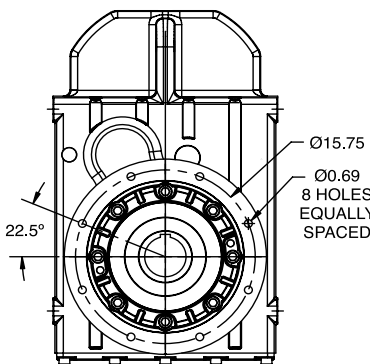
SIZE: MW148



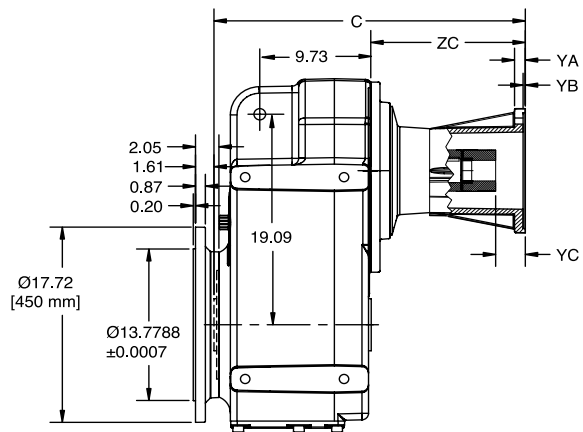
B14 OUTPUT FLANGE
Ø334 mm



CLAMP COLLAR



B5 OUTPUT FLANGE
Ø450 mm



THREE-PIECE COUPLED

NOMENCLATURE
PAGE MSM-4

MOUNTING POSITIONS
PAGE MSM-10

STOCK/NON-STOCK PART NUMBERS
PAGE MSM-57

WEIGHTS
PAGE MSM-250

DIMENSIONS



MOTORIZED SHAFT MOUNT REDUCER (MSM) NEMA C-Face - Universal Mounting - Clamp Collar / 3 Piece Coupled Double/Triple Reduction Straight Hollow Bore Output Shaft

SIZE: MW148

STANDARD HOLLOW OUTPUT SHAFT

Dimension - Inch/MM

ØU	tol.	UY	VH	KEY	M
3.625	+0.0012 -0.0004	3.84	2.31	7/8 x 11/16 x 7-1/16	1-8 x 3 UNC
80	+0.034 +0.0012	120	68	22 x 14 x 125	M20 x 85

OPTIONAL HOLLOW OUTPUT SHAFT

Dimension -Inch/ MM

ØU	tol.	UY	VH	KEY	M
3.4375	+0.0014 -0.0005	3.82	2.29	7/8 x 3/4 x 7-7/16	1-8 x 3 UNC
90	+0.034 +0.012	95	77	22 x 14 x 140	M24 x 95

NEMA MOTOR ADAPTER - CLAMP COLLAR

Dimension - Inch

	MW148 Double		MW148 Triple		DOUBLE / TRIPLE		
	C	ZC	C	ZC	YA	YB	YC
180TC	-	-	18.54	4.80	0.73	0.22	0.91
210TC	18.64	4.90	20.13	6.39	0.69	0.22	0.89
250TC	18.61	4.87	20.10	6.36	0.95	0.20	1.13
280TC	19.53	5.79	21.03	7.29	0.95	0.20	1.30
320TC	21.14	7.40	22.66	8.92	1.02	0.20	1.19
360TC	22.65	8.91	-	-	1.02	0.20	1.48

NEMA MOTOR ADAPTER - 3 PIECE COUPLED (D)

Dimension - Inch

	MW148 Double		MW148 Triple		DOUBLE / TRIPLE		
	C	ZC	C	ZC	YA	YB	YC
180TC	-	-	22.13	8.39	0.73	0.22	1.65
210TC	22.48	8.74	23.97	10.23	0.87	0.22	2.01
250TC	24.27	10.53	25.76	12.02	0.95	0.20	2.17
280TC	27.08	13.34	28.58	14.84	0.95	0.20	2.57
320TC	29.56	15.82	31.08	17.34	1.02	0.20	2.99
360TC	30.63	16.89	-	-	1.02	0.20	3.26

Refer to page ENGINEERING-2 for Input Shaft and Flange details.
Refer to page ENGINEERING-8 and ENGINEERING-9 for driven shaft dimensions.
Refer to page MSM-234 for Twin Tapered Bushing details.

NOMENCLATURE PAGE MSM-4	MOUNTING POSITIONS PAGE MSM-10	STOCK/NON-STOCK PART NUMBERS PAGE MSM-57	WEIGHTS PAGE MSM-250
----------------------------	-----------------------------------	---	-------------------------

DIMENSIONS



MOTORIZED SHAFT MOUNT REDUCER (MSM) IEC D Flange (B5 Input) - Universal Mounting - Clamp Collar / 3 Piece Coupled Double/Triple Reduction Straight Hollow Bore Output Shaft

SIZE: MW148

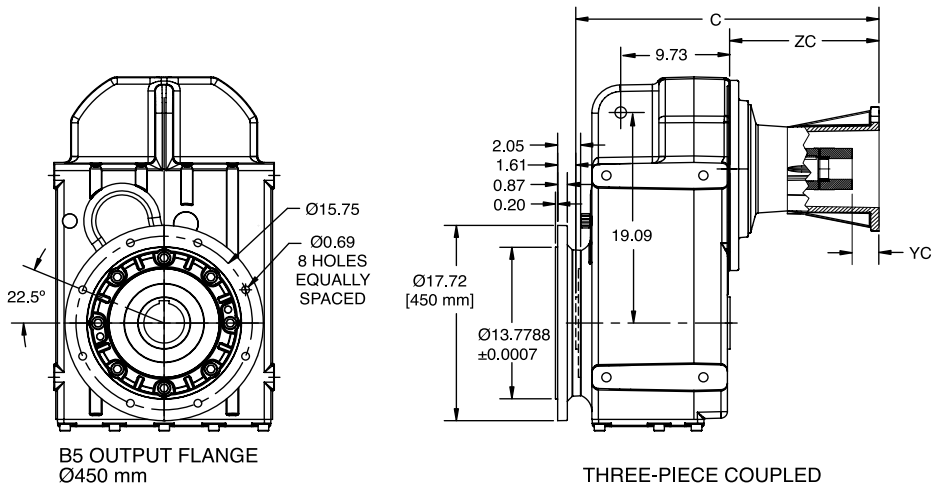
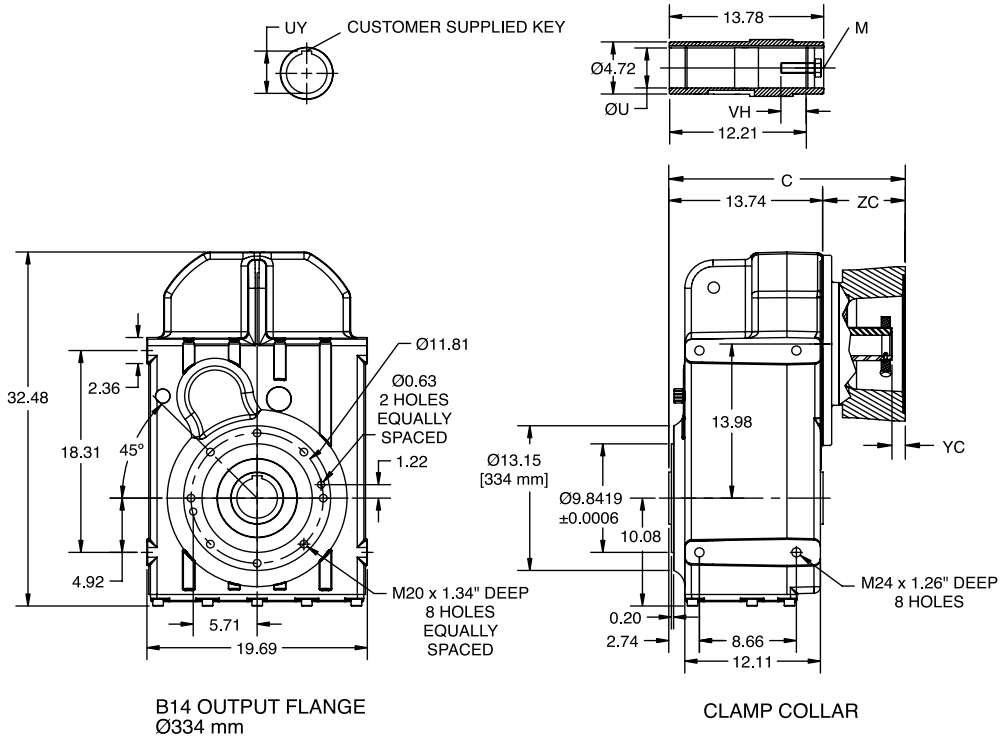
QUANTIS

QUANTIS GOLD

ILH

RHB

MSM



NOMENCLATURE PAGE MSM-4	MOUNTING POSITIONS PAGE MSM-10	STOCK/NON-STOCK PART NUMBERS PAGE MSM-57	WEIGHTS PAGE MSM-250
----------------------------	-----------------------------------	---	-------------------------

DIMENSIONS



MOTORIZED SHAFT MOUNT REDUCER (MSM)

SIZE: MW148

IEC D Flange (B5 Input) - Universal Mounting - Clamp Collar / 3 Piece Coupled
Double/Triple Reduction
Straight Hollow Bore Output Shaft

STANDARD HOLLOW OUTPUT SHAFT

Dimension - Inch/MM

ØU	tol.	UY	VH	KEY	M-TAP
3.625	0.001 -0.000	3.84	2.31	7/8 x 11/16 x 7-1/16	1-8 x 3 UNC
80	0.034 0.001	120	68	22 x 14 x 125	M20 x 85

OPTIONAL HOLLOW OUTPUT SHAFT

Dimension -Inch/ MM

ØU	tol.	UY	VH	KEY	M-TAP
3.438	0.001 -0.001	3.82	2.29	7/8 x 3/4 x 7-7/16	1-8 x 3 UNC
90	0.034 0.012	95	77	22 x 14 x 140	M24 x 95

IEC MOTOR ADAPTER - CLAMP COLLAR

Dimension - Inch

	MW148 Double		MW148 Triple		DOUBLE/ TRIPLE
	C	ZC	C	ZC	YC
100D	---	---	16.97	3.23	0.28
112D	---	---	17.17	3.43	0.28
132D	17.20	3.46	18.70	4.96	0.87
160D	18.72	4.98	20.22	6.48	0.79
180D	19.37	5.63	20.87	7.13	0.83
200D	19.76	6.02	21.26	7.52	1.18

IEC MOTOR ADAPTER - 3 PIECE COUPLED

Dimension - Inch

	MW148 Double		MW148 Triple		DOUBLE/ TRIPLE
	C	ZC	C	ZC	YC
100D	---	---	21.79	8.05	1.18
112D	---	---	21.61	7.87	1.18
132D	22.46	8.72	23.96	10.22	1.77
160D	24.90	11.16	26.40	12.66	2.60
180D	27.00	13.27	28.50	14.76	2.32
200D	27.05	13.31	28.54	14.80	2.36
225D	30.33	16.59	31.83	18.09	3.54
250D	30.51	16.77	---	---	2.95

Refer to page ENGINEERING-3 for Input Shaft and Flange details.

Refer to page ENGINEERING-8 and ENGINEERING-9 for driven shaft dimensions.

Refer to page MSM-234 for Twin Tapered Bushing details.

NOMENCLATURE PAGE MSM-4	MOUNTING POSITIONS PAGE MSM-10	STOCK/NON-STOCK PART NUMBERS PAGE MSM-57	WEIGHTS PAGE MSM-250
----------------------------	-----------------------------------	---	-------------------------

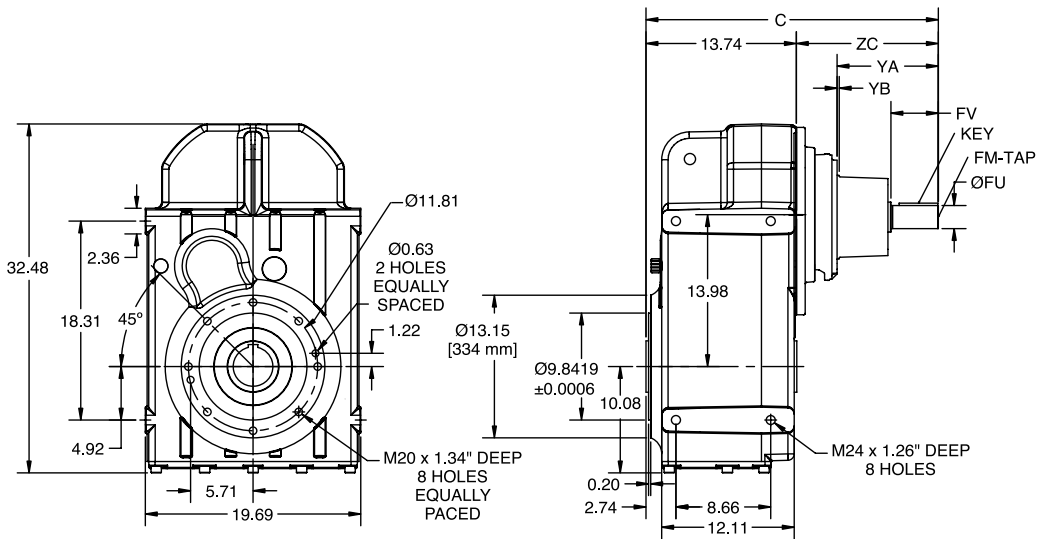
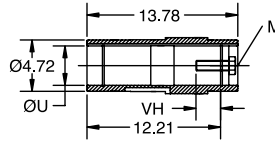
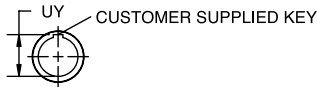
DIMENSIONS



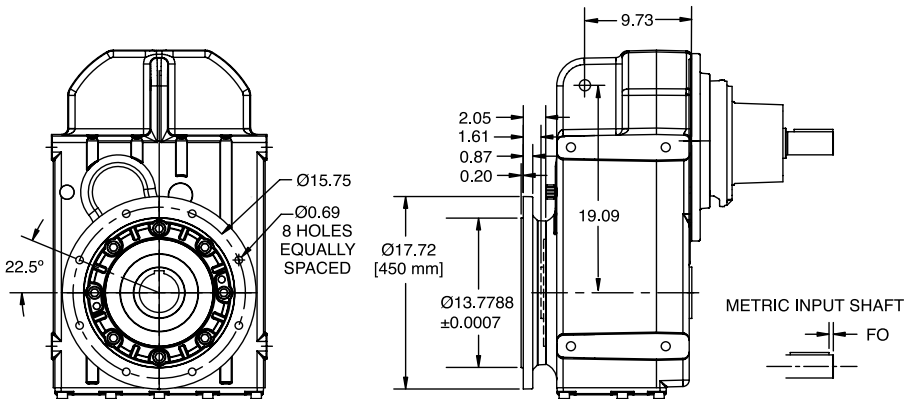
MOTORIZED SHAFT MOUNT REDUCER (MSM)

SIZE: MW148

Separate - Universal Mounting
 Double/Triple Reduction
 Straight Hollow Bore Output Shaft



B14 OUTPUT FLANGE
 Ø334 mm



B5 OUTPUT FLANGE
 Ø450 mm

NOMENCLATURE
 PAGE MSM-4

MOUNTING POSITIONS
 PAGE MSM-10

STOCK/NON-STOCK PART NUMBERS
 PAGE MSM-57

WEIGHTS
 PAGE MSM-250

DIMENSIONS



MOTORIZED SHAFT MOUNT REDUCER (MSM)

SIZE: MW148

Separate - Universal Mounting
Double/Triple Reduction
Straight Hollow Bore Output Shaft

STANDARD HOLLOW OUTPUT SHAFT

Dimension - Inch/MM

ØU	tol.	UY	VH	KEY	M
3.625	+0.0012 -0.0004	3.84	2.31	7/8 x 11/16 x 7-1/16	1-8 x 3 UNC
80	+0.034 +0.0012	120	68	22 x 14 x 125	M20 x 85

OPTIONAL HOLLOW OUTPUT SHAFT

Dimension -Inch/ MM

ØU	tol.	UY	VH	KEY	M
3.4375	+0.0014 -0.0005	3.82	2.29	7/8 x 3/4 x 7-7/16	1-8 x 3 UNC
90	+0.034 +0.012	95	77	22 x 14 x 140	M24 x 95

SEPARATE INPUT

Dimension - Inch/MM

	MW148 Double		M148 Triple		DOUBLE/ TRIPLE							
	C	ZC	C	ZC	FO	FM x DEPTH	ØFU	tol.	FV	YA	YB	Key
100	---	---	21.32	7.58	---	3/8-16 UNC x 0.87	1.125	+0.0000 -0.0005	2.36	3.27	0.16	1/4 x 1/4 x 2
	---	---	542	193	5	M10 x 22	28	+0.015 +0.002	60			8 x 7 x 50
112	---	---	21.22	7.48	---	3/8-16 UNC 0.87	1.25	+0.0000 -0.0005	2.36	3.27	0.16	1/4 x 1/4 x 2
	---	---	539	190	5	M10 x 22	28	+0.015 +0.002	60			8 x 7 x 50
132	22.97	9.23	24.47	10.73	---	3/8-16 UNC x 110	1.375	+0.0000 -0.0005	3.15	6.61	0.14	6/16 x 5/16 x 2-3/4
	584	235	622	273	5	M12 x 28	38	+0.018 +0.002	80			10 x 8 x 70
160	24.51	10.77	26.00	12.26	---	5/8-11 UNC x 1.42	1.625	+0.0000 -0.0010	4.33	8.46	0.14	3/8 x 3/8 x 3-1/2
	623	274	661	312	10	M16 x 36	42	+0.018 +0.002	110			12 x 8 x 90
180	25.43	11.69	26.93	13.19	---	3/4-10 UNC x 1.65	2.125	+0.0000 -0.0010	4.33	9.25	0.16	1/2 x 1/2 x 3-5/8
	646	297	684	335	10	M20 x 42	55	+0.030 +0.011	110			16 x 10 x 90
225	26.52	12.78	28.01	14.27	---	3/4-10 UNC x 1.65	2.125	+0.0000 -0.0010	4.33	9.02	0.14	1/2 x 1/2 x 3-5/8
	703	355	741	393	15	M20 x 42	60	+0.030 +0.011	140			259
250	27.68	13.94	---	---	15	3/4-10 UNC x 1.65	2.375	+0.0000 -0.0010	5.51	10.20	0.14	5/8 x 5/8 x 4-9/16
	703	354	---	---	15	M20 x 42	65	+0.030 +0.011	140			18 x 11 x 110

Refer to page ENGINEERING-4 for Input Shaft and Flange details.
Refer to page ENGINEERING-8 and ENGINEERING-9 for driven shaft dimensions.
Refer to page MSM-234 for Twin Tapered Bushing details.

NOMENCLATURE PAGE MSM-4	MOUNTING POSITIONS PAGE MSM-10	STOCK/NON-STOCK PART NUMBERS PAGE MSM-57	WEIGHTS PAGE MSM-250
----------------------------	-----------------------------------	---	-------------------------

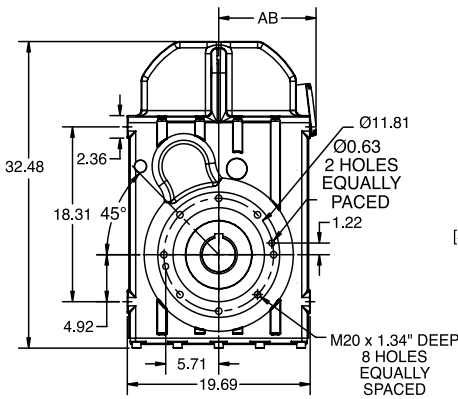
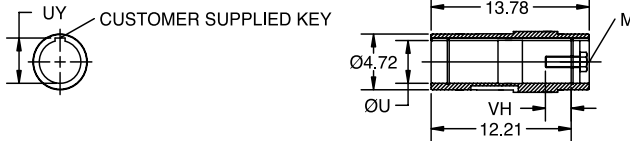
DIMENSIONS



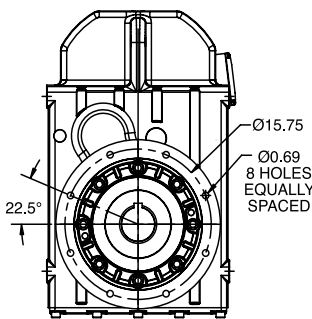
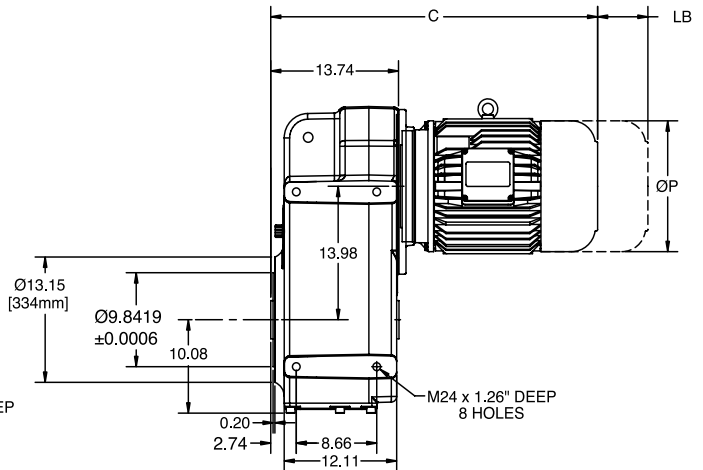
MOTORIZED SHAFT MOUNT REDUCER (MSM)

SIZE: MW148

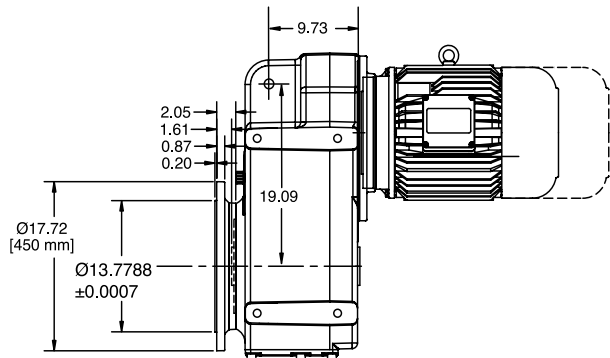
Integral Gearmotor - Universal Mounting
 Double/Triple Reduction
 Straight Hollow Bore Output Shaft



B14 OUTPUT FLANGE
 Ø334 mm



B5 OUTPUT FLANGE
 Ø450 mm



NOMENCLATURE
 PAGE MSM-4

MOUNTING POSITIONS
 PAGE MSM-10

STOCK/NON-STOCK PART NUMBERS
 PAGE MSM-57

WEIGHTS
 PAGE MSM-250

DIMENSIONS



MOTORIZED SHAFT MOUNT REDUCER (MSM)

SIZE: MW148

Integral Gearmotor - Universal Mounting
 Double/Triple Reduction
 Straight Hollow Bore Output Shaft

STANDARD HOLLOW OUTPUT SHAFT

Dimension - Inch/MM

ØU	tol.	UY	VH	KEY	M
3.625	+0.0012 +0.0004	3.84	2.31	7/8 x 11/16 x 7-1/16	1-8 x 3 UNC
80	+0.034 +0.012	85	68	22 x 14 x 125	M20 x 85

OPTIONAL HOLLOW OUTPUT SHAFT

Dimension -Inch/ MM

ØU	tol.	UY	VH	KEY	M
3.4375	+0.0014 +0.0005	3.82	2.29	7/8 x3/4 x 7-7/16	1-8 x 3 UNC
90	+0.034 +0.012	95	77	25 x 14 x 140	M24 x 95

MOTOR

Dimension -Inch/ MM

Frame	MW148 Double		MW148 Triple		P	AB
	C	LB	C	LB		
100J4	-	-	27.97	2.91	7.19	5.79
			711	74		
112L4	-	-	29.56	2.91	8.6	6.88
			751	74		
132M4	29.55	3.9	31.04	3.9	10.28	8.09
	751	99	789	99		
132N4	31.05	3.9	32.54	3.9	10.28	8.09
	789	99	827	99		

Refer to page ENGINEERING-8 and ENGINEERING-9 for driven shaft dimensions.
 Refer to page MSM-234 for Twin Tapered Bushing details.

NOMENCLATURE PAGE MSM-4	MOUNTING POSITIONS PAGE MSM-10	STOCK/NON-STOCK PART NUMBERS PAGE MSM-57	WEIGHTS PAGE MSM-250
----------------------------	-----------------------------------	---	-------------------------

DIMENSIONS



MOTORIZED SHAFT MOUNT REDUCER (MSM) NEMA C-Face - Universal Mounting - Clamp Collar / 3 Piece Coupled Double/Triple Reduction Solid Output Shaft

SIZE: MW168

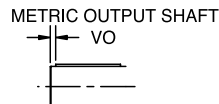
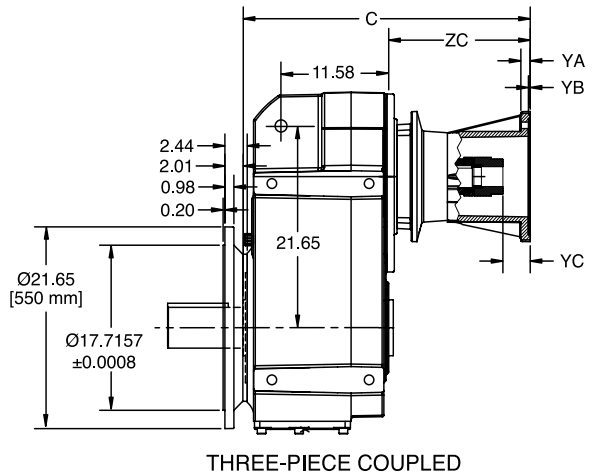
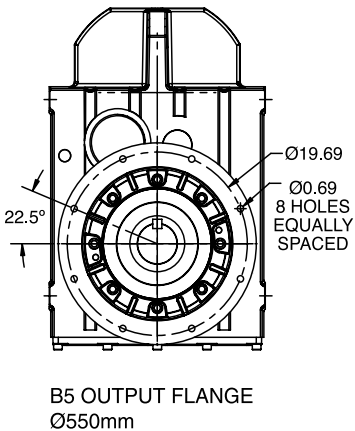
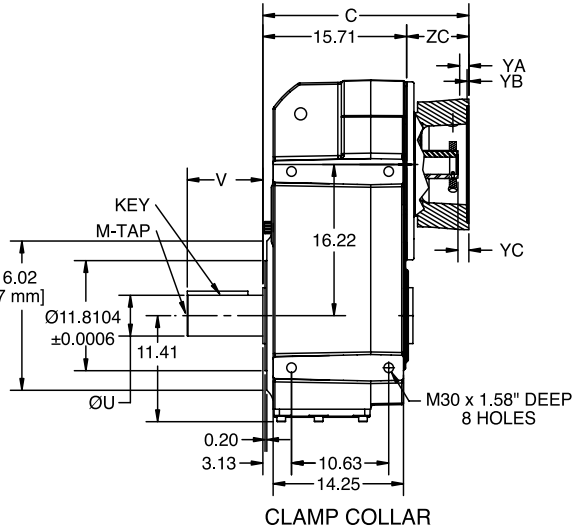
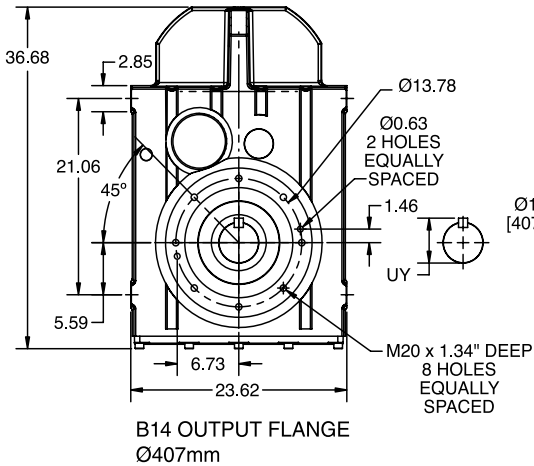
QUANTIS

QUANTIS GOLD

ILH

RHB

MSM



NOMENCLATURE PAGE MSM-4	MOUNTING POSITIONS PAGE MSM-10	STOCK/NON-STOCK PART NUMBERS PAGE MSM-57	WEIGHTS PAGE MSM-250
----------------------------	-----------------------------------	---	-------------------------

DIMENSIONS



MOTORIZED SHAFT MOUNT REDUCER (MSM) NEMA C-Face - Universal Mounting - Clamp Collar / 3 Piece Coupled Double/Triple Reduction Solid Output Shaft

SIZE: MW168

STANDARD SOLID OUTPUT SHAFT

Dimension - Inch/MM

ØU	tol.	UY	V	VO	KEY	M-TAP x DEPTH
4.375	+0.0000 -0.0010	4.82	8.27	-	1 x 1 x 6-5/8	1-8 UNC x 1.97
110	+0.035 +0.013	116	210	15	28 x 16 x 180	M24 x 50

OPTIONAL SOLID OUTPUT SHAFT

Dimension - Inch/MM

ØU	tol.	UY	V	VO	KEY	M-TAP x DEPTH
4.750	+0.0000 -0.0010	5.30	8.27	-	1-1/4 x 1-1/4 x 7	1-8 UNC x 1.97
120	+0.035 +0.013	127	210	15	32 x 18 x 180	M24 x 50

NEMA MOTOR ADAPTER - CLAMP COLLAR

Dimension - Inch

	MW168 Double		MW168 Triple		DOUBLE / TRIPLE		
	C	ZC	C	ZC	YA	YB	YC
210TC	20.04	4.33	21.65	5.94	0.69	0.22	0.89
250TC	20.00	4.30	21.71	6.00	0.95	0.20	1.13
280TC	20.93	5.22	22.54	6.84	0.95	0.20	1.30
320TC	22.56	6.85	24.17	8.47	1.02	0.20	1.19
360TC	24.05	8.34	25.67	9.96	1.02	0.20	1.48

NEMA MOTOR ADAPTER - 3 PIECE COUPLED

Dimension - Inch

	MW168 Double		MW168 Triple		DOUBLE / TRIPLE		
	C	ZC	C	ZC	YA	YB	YC
210TC	23.87	8.17	25.49	9.78	0.87	0.22	2.01
250TC	25.67	9.96	27.36	11.65	0.95	0.20	2.17
280TC	28.48	12.77	30.10	14.39	0.95	0.20	2.57
320TC	30.98	15.27	32.60	16.89	1.02	0.20	2.99
360TC	32.02	16.32	33.64	17.93	1.02	0.20	3.26

Refer to page ENGINEERING-2 for Input Shaft and Flange details

NOMENCLATURE PAGE MSM-4	MOUNTING POSITIONS PAGE MSM-10	STOCK/NON-STOCK PART NUMBERS PAGE MSM-57	WEIGHTS PAGE MSM-250
----------------------------	-----------------------------------	---	-------------------------

DIMENSIONS



MOTORIZED SHAFT MOUNT REDUCER (MSM) IEC D Flange (B5 Input) - Universal Mounting - Clamp Collar / 3 Piece Coupled Double/Triple Reduction Solid Output Shaft

SIZE: MW168

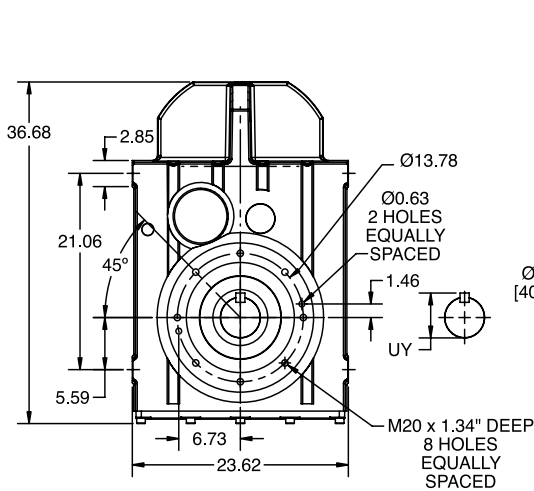
QUANTIS

QUANTIS GOLD

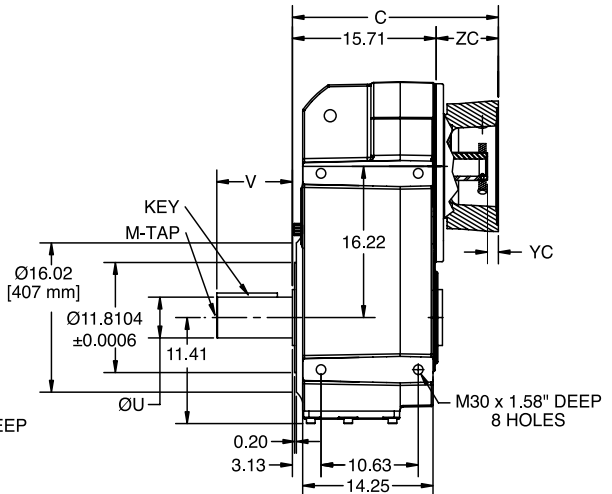
ILH

RHB

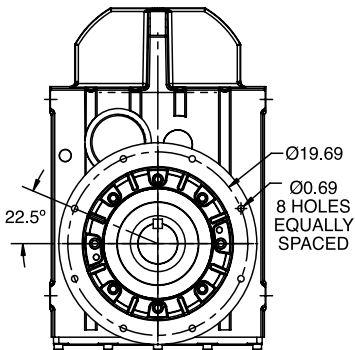
MSM



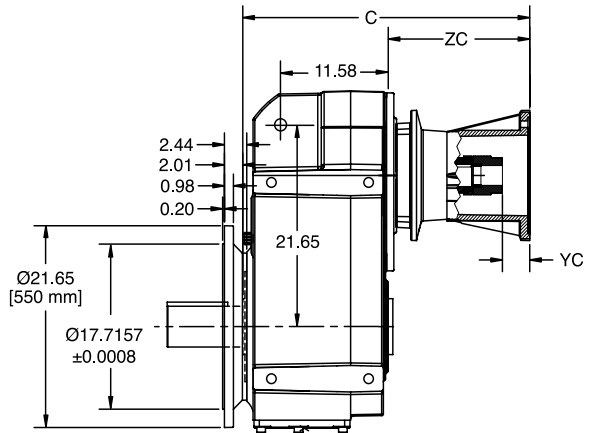
B14 OUTPUT FLANGE
Ø407 mm



CLAMP COLLAR

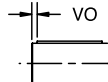


B5 OUTPUT FLANGE
Ø550 mm



THREE-PIECE COUPLED

METRIC OUTPUT SHAFT



NOMENCLATURE PAGE MSM-4	MOUNTING POSITIONS PAGE MSM-10	STOCK/NON-STOCK PART NUMBERS PAGE MSM-57	WEIGHTS PAGE MSM-250
----------------------------	-----------------------------------	---	-------------------------

DIMENSIONS



MOTORIZED SHAFT MOUNT REDUCER (MSM)

SIZE: MW168

IEC D Flange (B5 Input) - Universal Mounting - Clamp Collar / 3 Piece Coupled
Double/Triple Reduction
Solid Output Shaft

STANDARD SOLID OUTPUT SHAFT

Dimension - Inch/MM

ØU	tol.	UY	V	VO	KEY	M-TAP x DEPTH
4.375	+0.0000 -0.0010	4.82	8.27	-	1 x 1 x 6-5/8	1-8 UNC x 1.97
110	+0.035 +0.013	116	210	15	28 x 16 x 180	M24 x 50

OPTIONAL SOLID OUTPUT SHAFT

Dimension - Inch/MM

ØU	tol.	UY	V	VO	KEY	M-TAP x DEPTH
4.750	+0.0000 -0.0010	5.30	8.27	-	1-1/4 x 1-1/4 x 7	1-8 UNC x 1.97
120	+0.035 +0.013	127	210	15	32 x 18 x 180	M24 x 50

IEC MOTOR ADAPTER - CLAMP COLLAR

Dimension - Inch

	MW168 Double		MW168 Triple		DOUBLE / TRIPLE
	C	ZC	C	ZC	YC
132D	18.60	2.89	20.22	4.51	0.87
160D	20.12	4.41	21.73	6.02	0.79
180D	20.77	5.06	22.38	6.67	0.85
200D	21.16	5.45	22.78	7.07	1.18

IEC MOTOR ADAPTER - 3 PIECE COUPLED

Dimension - Inch

	MW168 Double		MW168 Triple		DOUBLE / TRIPLE
	C	ZC	C	ZC	YC
132D	23.86	8.15	25.47	9.76	1.77
160D	26.30	10.59	27.91	12.20	2.60
180D	28.41	12.70	30.02	14.31	2.32
200D	28.44	12.74	30.06	14.35	2.36
225D	31.73	16.02	33.35	17.64	3.54
250D	31.91	16.20	33.52	17.81	2.95

Refer to page ENGINEERING-3 for Input Shaft and Flange details

NOMENCLATURE PAGE MSM-4	MOUNTING POSITIONS PAGE MSM-10	STOCK/NON-STOCK PART NUMBERS PAGE MSM-57	WEIGHTS PAGE MSM-250
----------------------------	-----------------------------------	---	-------------------------

DIMENSIONS



MOTORIZED SHAFT MOUNT REDUCER (MSM)

SIZE: MW168

Separate - Universal Mounting
Double/Triple Reduction
Solid Output Shaft

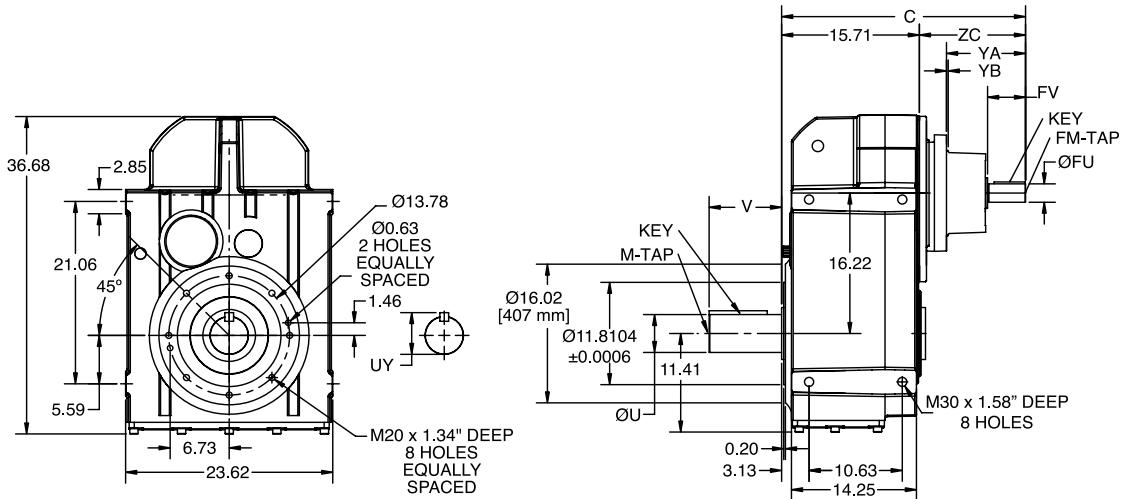
QUANTIS

QUANTIS GOLD

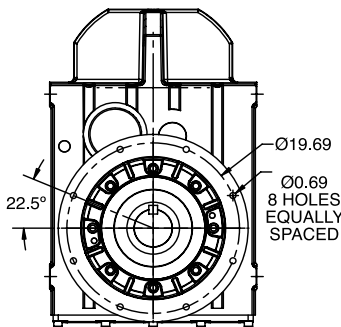
ILH

RHB

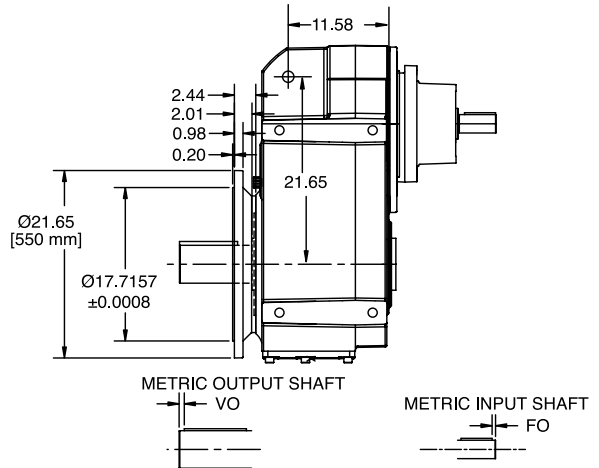
MSM



B14 OUTPUT FLANGE
Ø407 mm



B5 OUTPUT FLANGE
Ø550 mm



NOMENCLATURE PAGE MSM-4	MOUNTING POSITIONS PAGE MSM-10	STOCK/NON-STOCK PART NUMBERS PAGE MSM-57	WEIGHTS PAGE MSM-250
----------------------------	-----------------------------------	---	-------------------------

DIMENSIONS



MOTORIZED SHAFT MOUNT REDUCER (MSM)

SIZE: MW168

Separate - Universal Mounting
Double/Triple Reduction
Solid Output Shaft

STANDARD SOLID OUTPUT SHAFT

Dimension - Inch/MM

ØU	tol.	UY	V	VO	KEY	M-TAP x DEPTH
4.375	+0.0000 -0.0010	4.82	8.27	-	1 x 1 x 6-5/8	1-8 UNC x 1.97
110	+0.035 +0.013	116	210	15	28 x 16 x 180	M24 x 50

OPTIONAL SOLID OUTPUT SHAFT

Dimension - Inch/MM

ØU	tol.	UY	V	VO	KEY	M-TAP x DEPTH
4.750	+0.0000 -0.0010	5.30	8.27	-	1-1/4 x 1-1/4 x 7	1-8 UNC x 1.97
120	+0.035 +0.013	127	210	15	32 x 18 x 180	M24 x 50

SEPARATE INPUT

Dimension - Inch/MM

	MW168 Double		MW168 Triple		DOUBLE/ TRIPLE							
	C	ZC	C	ZC	FO	FM x DEPTH	ØFU	tol.	FV	YA	YB	Key
132	24.37	8.66	25.99	10.28	---	3/8-16 UNC x 110	1.375	+0.0000 -0.0005	3.15	6.61	0.14	5/16 x 5/16 x 2-3/4
	619	220	660	261	5	M12 x 28	38	+0.018 +0.002	80			10 x 8 x 70
160	25.91	10.20	27.60	11.89	---	5/8-11 UNC x 1.42	1.625	+0.0000 -0.0010	4.33	8.46	0.14	3/8 x 3/8 x 3-1/2
	658	259	701	302	10	M16 x 36	42	+0.018 +0.002	110			12 x 8 x 90
180	26.83	11.12	28.45	12.74	---	3/4-10 UNC x 1.65	2.125	+0.0000 -0.0010	4.33	9.25	0.16	1/2 x 1/2 x 3-5/8
	682	283	723	324	10	M20 x 42	55	+0.030 +0.011	110			16 x 10 x 90
225	27.91	12.21	29.53	13.82	---	3/4-10 UNC x 1.65	2.125	+0.0000 -0.0010	4.33	9.02	0.14	1/2 x 1/2 x 3-5/8
	739	340	780	381	15	M20 x 42	60	+0.030 +0.011	140			259
250	29.08	13.37	30.70	14.98	15	3/4-10 UNC x 1.65	2.375	+0.0000 -0.0010	5.51	10.20	0.14	5/8 x 5/8 x 4-9/16
	739	340	780	381	15	M20 x 42	65	+0.030 +0.011	140			18 x 11 x 110

Refer to page ENGINEERING-4 for Input Shaft and Flange details.

NOMENCLATURE PAGE MSM-4	MOUNTING POSITIONS PAGE MSM-10	STOCK/NON-STOCK PART NUMBERS PAGE MSM-57	WEIGHTS PAGE MSM-250
----------------------------	-----------------------------------	---	-------------------------

DIMENSIONS



MOTORIZED SHAFT MOUNT REDUCER (MSM)

SIZE: MW168

Integral Gearmotor - Universal Mounting
Double/Triple Reduction
Solid Output Shaft

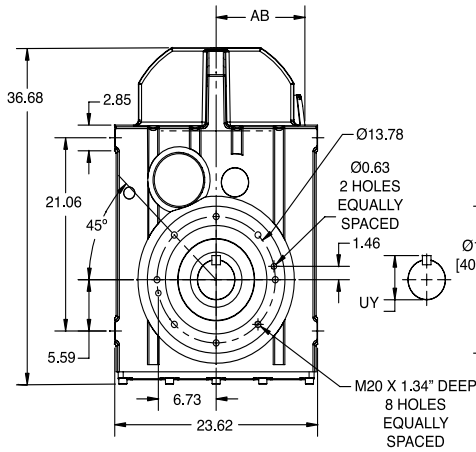
QUANTIS

QUANTIS GOLD

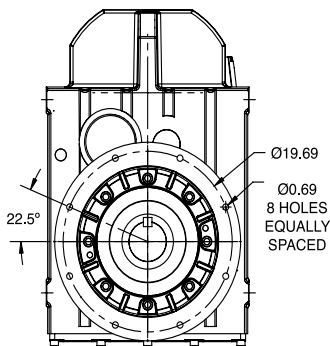
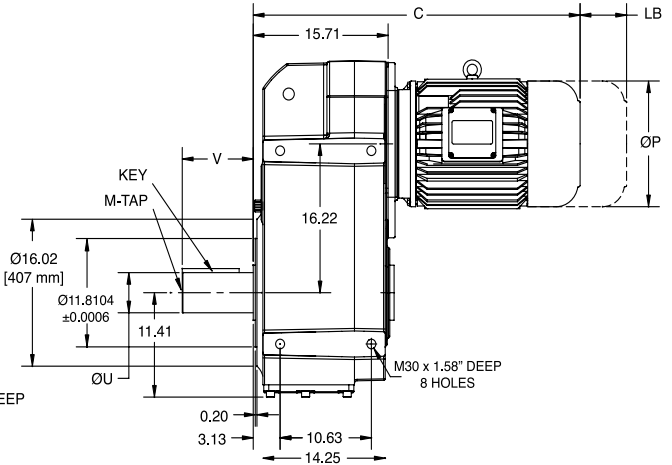
ILH

RHB

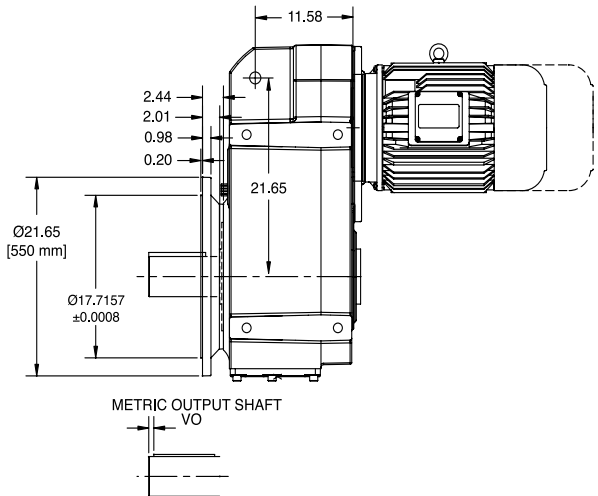
MSM



B14 OUTPUT FLANGE
 $\text{Ø}407$ mm



B5 OUTPUT FLANGE
 $\text{Ø}550$ mm



METRIC OUTPUT SHAFT
 VO

NOMENCLATURE PAGE MSM-4	MOUNTING POSITIONS PAGE MSM-10	STOCK/NON-STOCK PART NUMBERS PAGE MSM-57	WEIGHTS PAGE MSM-250
----------------------------	-----------------------------------	---	-------------------------

DIMENSIONS



MOTORIZED SHAFT MOUNT REDUCER (MSM)

SIZE: MW168

Integral Gearmotor - Universal Mounting
 Double/Triple Reduction
 Solid Output Shaft

STANDARD SOLID OUTPUT SHAFT

Dimension - Inch/MM

ØU	tol.	UY	V	VO	KEY	M-TAP x DEPTH
4.375	+0.0000 -0.0010	4.82	8.27	-	1 x 1 x 6-5/8	1-8 UNC x 1.97
110	+0.035 +0.013	116	210	15	28 x 16 x 180	M24 x 50

OPTIONAL SOLID OUTPUT SHAFT

Dimension - Inch/MM

ØU	tol.	UY	V	VO	KEY	M-TAP x DEPTH
4.750	+0.0000 -0.0010	5.30	8.27	-	1-1/4 x 1-1/4 x 7	1-8 UNC x 1.97
120	+0.035 +0.013	127	210	15	32 x 18 x 180	M24 x 50

MOTOR

Dimension - Inch/MM

Frame	MW168 Double		MW168 Triple		P	AB
	C	LB	C	LB		
132M4	30.95	3.9	32.56	3.9	10.28	8.09
	787	99	828	99	262	206
132N4	32.45	3.9	34.06	3.9	10.28	8.09
	825	99	866	99	262	206

QUANTIS

QUANTIS GOLD

ILH

RHB

MSM

NOMENCLATURE PAGE MSM-4	MOUNTING POSITIONS PAGE MSM-10	STOCK/NON-STOCK PART NUMBERS PAGE MSM-57	WEIGHTS PAGE MSM-250
----------------------------	-----------------------------------	---	-------------------------

DIMENSIONS



QUANTIS

QUANTIS GOLD

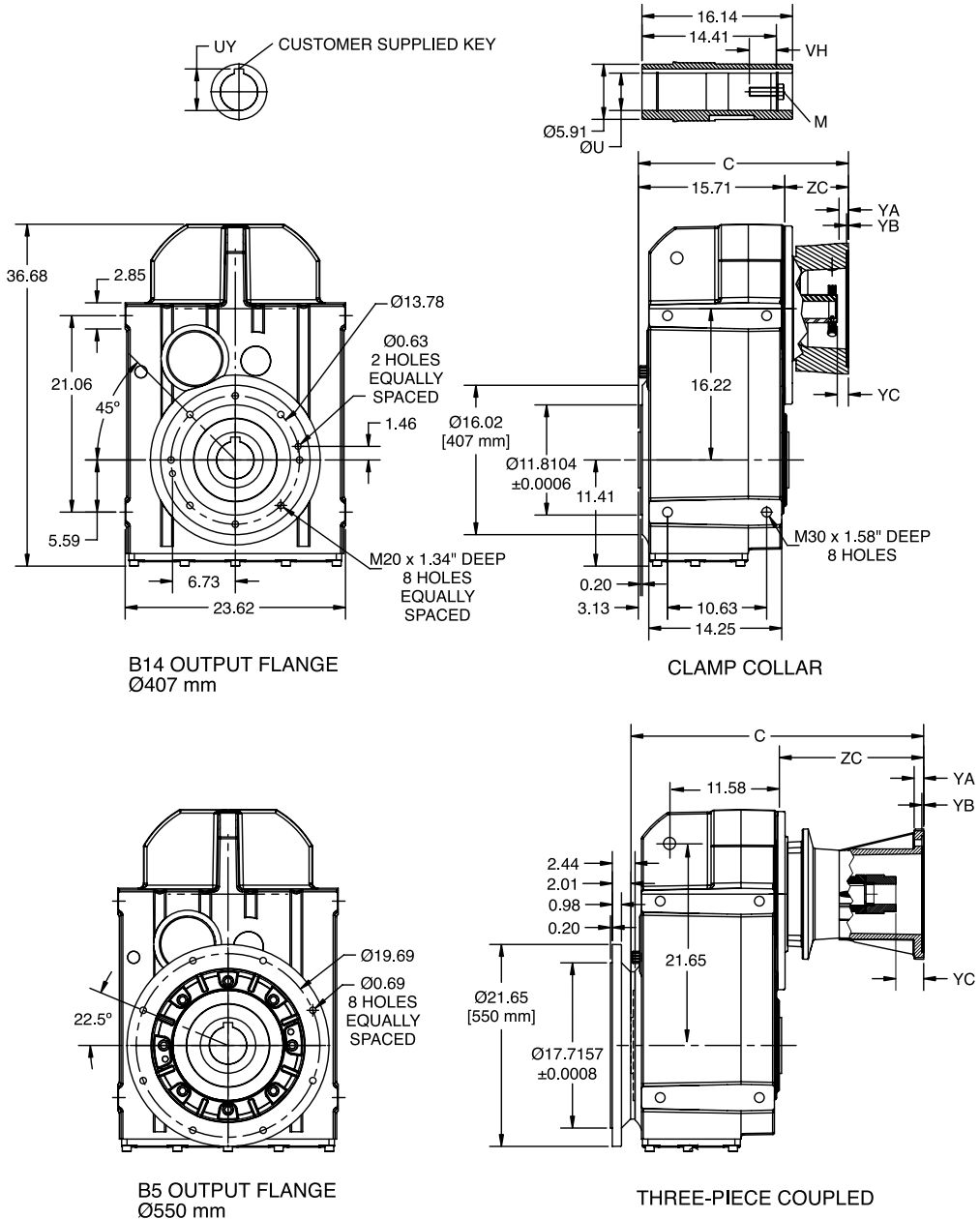
ILH

RHB

MSM

MOTORIZED SHAFT MOUNT REDUCER (MSM) NEMA C-Face - Universal Mounting - Clamp Collar / 3 Piece Coupled Double/Triple Reduction Straight Hollow Bore Output Shaft

SIZE: MW168



NOMENCLATURE PAGE MSM-4	MOUNTING POSITIONS PAGE MSM-10	STOCK/NON-STOCK PART NUMBERS PAGE MSM-57	WEIGHTS PAGE MSM-250
----------------------------	-----------------------------------	---	-------------------------

DIMENSIONS



MOTORIZED SHAFT MOUNT REDUCER (MSM) NEMA C-Face - Universal Mounting - Clamp Collar / 3 Piece Coupled Double/Triple Reduction Straight Hollow Bore Output Shaft

SIZE: MW168

STANDARD HOLLOW OUTPUT SHAFT

Dimension - Inch/MM

ØU	tol.	UY	VH	KEY	M
4.000	+0.0014 +0.0005	4.45	2.29	1 x 1 x 5-7/8	1-8 x 3 UNC
100	+0.034 +0.012	106	77	28 x 16 x 160	M24 x 95

OPTIONAL HOLLOW OUTPUT SHAFT

Dimension - Inch/MM

ØU	tol.	UY	VH	KEY	M
3.9375	+0.0014 +0.0005	4.38	2.13	1 x 1 x 6	1-8 x 3 UNC
110	+0.034 +0.012	116	78	28 x 16 x 169	M24 x 100

NEMA MOTOR ADAPTER - CLAMP COLLAR

Dimension - Inch

	MW168 Double		MW168 Triple		DOUBLE / TRIPLE		
	C	ZC	C	ZC	YA	YB	YC
210TC	20.04	4.33	21.65	5.94	0.69	0.22	0.89
250TC	20.00	4.30	21.71	6.00	0.95	0.20	1.13
280TC	20.93	5.22	22.54	6.84	0.95	0.20	1.30
320TC	22.56	6.85	24.17	8.47	1.02	0.20	1.19
360TC	24.05	8.34	25.67	9.96	1.02	0.20	1.48

NEMA MOTOR ADAPTER - 3 PIECE COUPLED

Dimension - Inch

	MW168 Double		MW168 Triple		DOUBLE / TRIPLE		
	C	ZC	C	ZC	YA	YB	YC
210TC	23.87	8.17	25.49	9.78	0.87	0.22	2.01
250TC	25.67	9.96	27.36	11.65	0.95	0.20	2.17
280TC	28.48	12.77	30.10	14.39	0.95	0.20	2.57
320TC	30.98	15.27	32.60	16.89	1.02	0.20	2.99
360TC	32.02	16.32	33.64	17.93	1.02	0.20	3.26

Refer to page ENGINEERING-2 for Input Shaft and Flange details.
Refer to page ENGINEERING-8 and ENGINEERING-9 for driven shaft dimensions.
Refer to page MSM-235 for Twin Tapered Bushing details.

NOMENCLATURE PAGE MSM-4	MOUNTING POSITIONS PAGE MSM-10	STOCK/NON-STOCK PART NUMBERS PAGE MSM-57	WEIGHTS PAGE MSM-250
----------------------------	-----------------------------------	---	-------------------------

DIMENSIONS



QUANTIS

QUANTIS GOLD

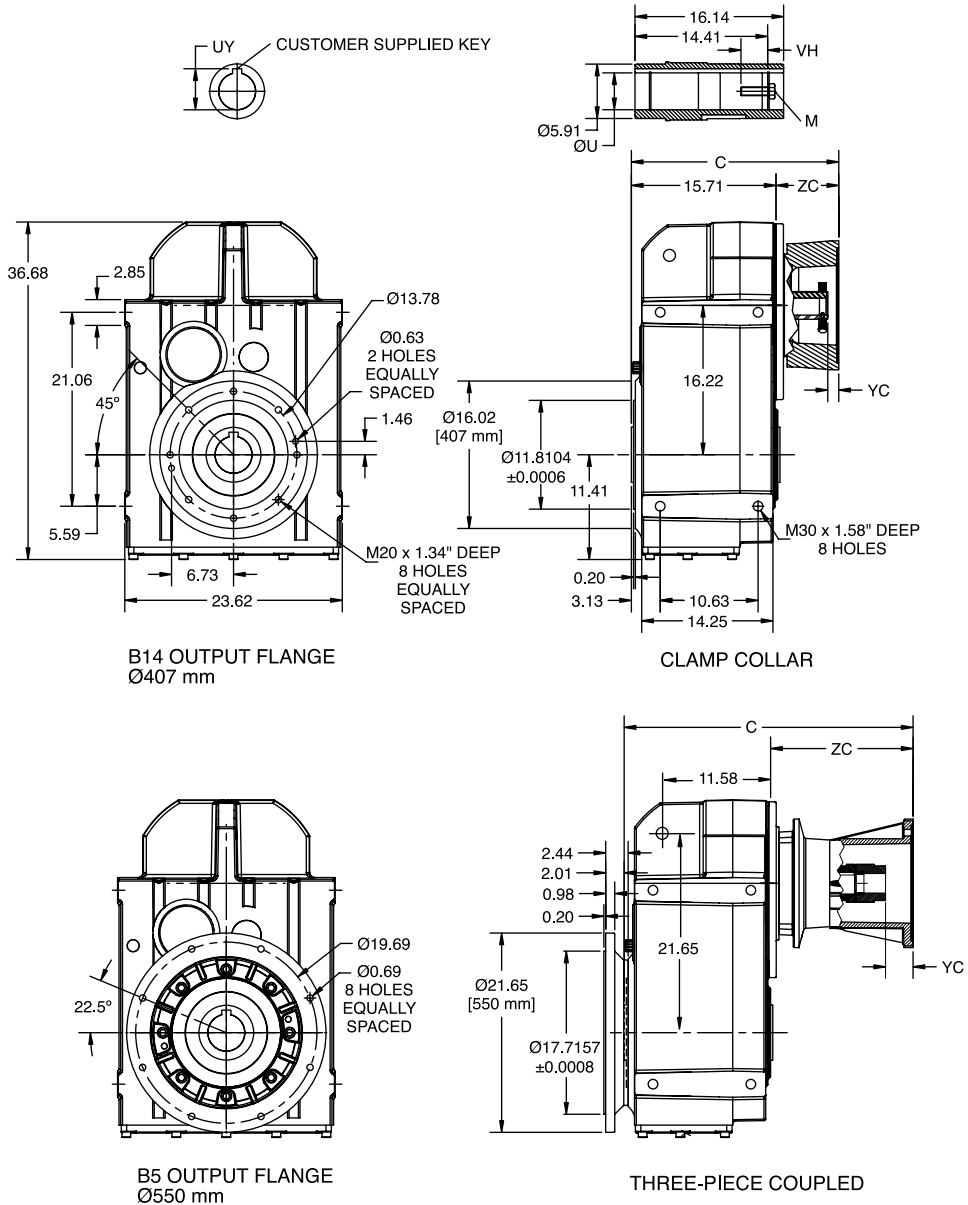
ILH

RHB

MSM

MOTORIZED SHAFT MOUNT REDUCER (MSM) IEC D Flange (B5 Input) - Universal Mounting - Clamp Collar / 3 Piece Coupled Double/Triple Reduction Straight Hollow Bore Output Shaft

SIZE: MW168



NOMENCLATURE PAGE MSM-4	MOUNTING POSITIONS PAGE MSM-10	STOCK/NON-STOCK PART NUMBERS PAGE MSM-57	WEIGHTS PAGE MSM-250
----------------------------	-----------------------------------	---	-------------------------

DIMENSIONS



MOTORIZED SHAFT MOUNT REDUCER (MSM)

SIZE: MW168

IEC D Flange (B5 Input) - Universal Mounting - Clamp Collar / 3 Piece Coupled
Double/Triple Reduction
Straight Hollow Bore Output Shaft

STANDARD HOLLOW OUTPUT SHAFT

Dimension - Inch/MM

ØU	tol.	UY	VH	KEY	M
4.000	+0.0014 +0.0005	4.45	2.29	1 x 1 x 5-7/8	1-8 x 3 UNC
100	+0.034 +0.012	106	77	28 x 16 x 160	M24 x 95

OPTIONAL HOLLOW OUTPUT SHAFT

Dimension - Inch/MM

ØU	tol.	UY	VH	KEY	M
3.9375	+0.0014 +0.0005	4.38	2.13	1 x 1 x 6	1-8 x 3 UNC
110	+0.034 +0.012	116	78	28 x 16 x 169	M24 x 100

IEC MOTOR ADAPTER - CLAMP COLLAR

Dimension - Inch

	MW168 Double		MW168 Triple		DOUBLE / TRIPLE
	C	ZC	C	ZC	YC
132D	18.60	2.89	20.22	4.51	0.87
160D	20.12	4.41	21.73	6.02	0.79
180D	20.77	5.06	22.38	6.67	0.85
200D	21.16	5.45	22.78	7.07	1.18

IEC MOTOR ADAPTER - 3 PIECE COUPLED

Dimension - Inch

	MW168 Double		MW168 Triple		DOUBLE / TRIPLE
	C	ZC	C	ZC	YC
132D	23.86	8.15	25.47	9.76	1.77
160D	26.30	10.59	27.91	12.20	2.60
180D	28.41	12.70	30.02	14.31	2.32
200D	28.44	12.74	30.06	14.35	2.36
225D	31.73	16.02	33.35	17.64	3.54
250D	31.91	16.20	33.52	17.81	2.95

Refer to page ENGINEERING-3 for Input Shaft and Flange details.

Refer to page ENGINEERING-8 and ENGINEERING-9 for driven shaft dimensions.

Refer to page MSM-235 for Twin Tapered Bushing details.

NOMENCLATURE PAGE MSM-4	MOUNTING POSITIONS PAGE MSM-10	STOCK/NON-STOCK PART NUMBERS PAGE MSM-57	WEIGHTS PAGE MSM-250
----------------------------	-----------------------------------	---	-------------------------

DIMENSIONS



QUANTIS

QUANTIS GOLD

ILH

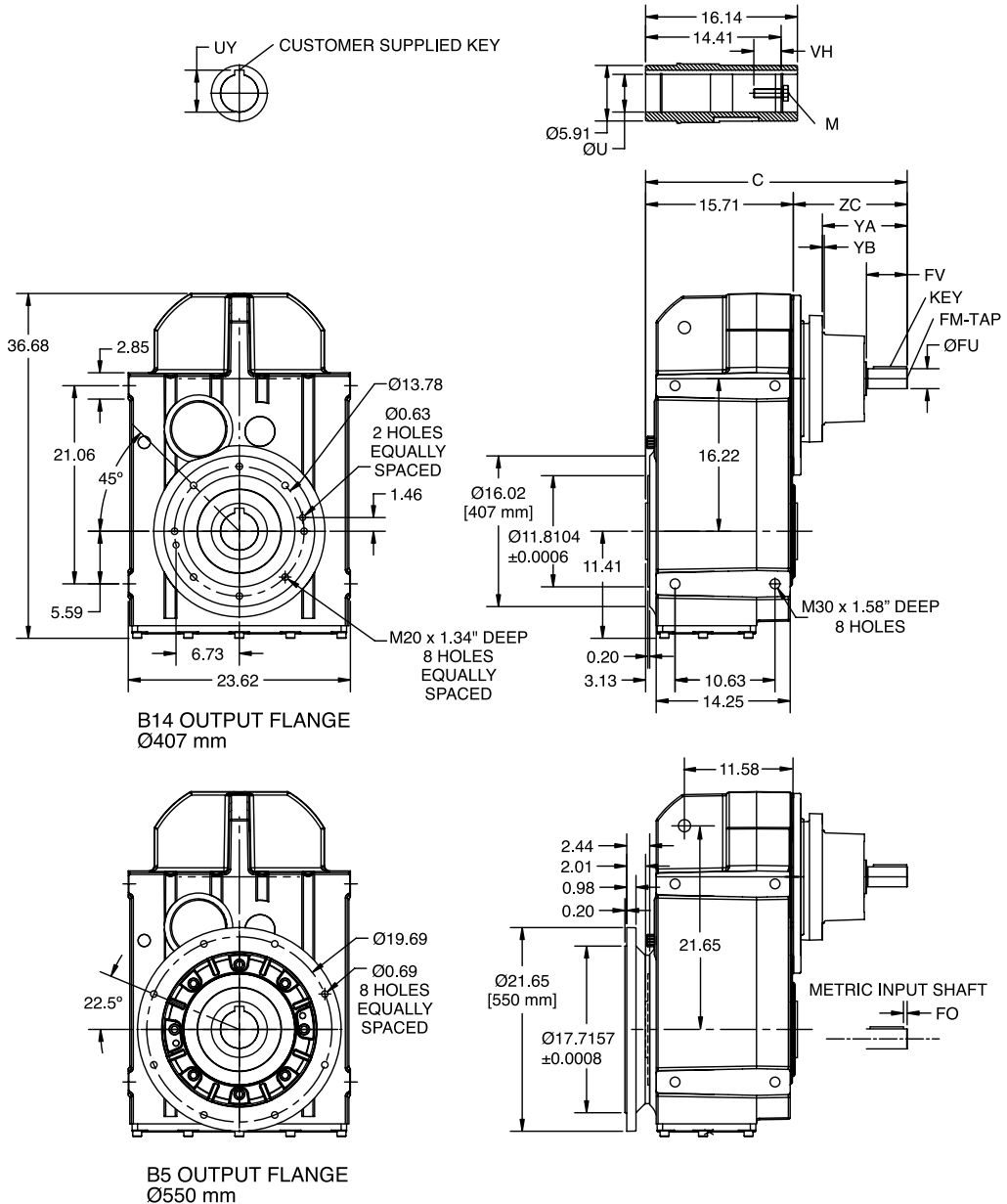
RHB

MSM

MOTORIZED SHAFT MOUNT REDUCER (MSM)

SIZE: MW168

Separate - Universal Mounting
Double/Triple Reduction
Straight Hollow Bore Output Shaft



NOMENCLATURE PAGE MSM-4	MOUNTING POSITIONS PAGE MSM-10	STOCK/NON-STOCK PART NUMBERS PAGE MSM-57	WEIGHTS PAGE MSM-250
----------------------------	-----------------------------------	---	-------------------------

DIMENSIONS



MOTORIZED SHAFT MOUNT REDUCER (MSM)

SIZE: MW168

Separate - Universal Mounting
Double/Triple Reduction
Straight Hollow Bore Output Shaft

STANDARD HOLLOW OUTPUT SHAFT

Dimension - Inch/MM

ØU	tol.	UY	VH	KEY	M
4.000	+0.0014 +0.0005	4.45	2.29	1 x 1 x 5-7/8	1-8 x 3 UNC
100	+0.034 +0.012	106	77	28 x 16 x 160	M24 x 95

OPTIONAL HOLLOW OUTPUT SHAFT

Dimension - Inch/MM

ØU	tol.	UY	VH	KEY	M
3.9375	+0.0014 +0.0005	4.38	2.13	1 x 1 x 6	1-8 x 3 UNC
110	+0.034 +0.012	116	78	28 x 16 x 169	M24 x 100

SEPARATE INPUT

Dimension - Inch/MM

	MW168 Double		MW168 Triple		DOUBLE/ TRIPLE							
	C	ZC	C	ZC	FO	FM x DEPTH	ØFU	tol.	FV	YA	YB	Key
132	24.37	8.66	25.99	10.28	---	3/8-16 UNC x 110	1.375	+0.0000 -0.0005	3.15	6.61	0.14	5/16 x 5/16 x 2-3/4
	619	220	660	261	5	M12 x 28	38	+0.018 +0.002	80			10 x 8 x 70
160	25.91	10.20	27.60	11.89	---	5/8-11 UNC x 1.42	1.625	+0.0000 -0.0010	4.33	8.46	0.14	3/8 x 3/8 x 3-1/2
	658	259	701	302	10	M16 x 36	42	+0.018 +0.002	110			12 x 8 x 90
180	26.83	11.12	28.45	12.74	---	3/4-10 UNC x 1.65	2.125	+0.0000 -0.0010	4.33	9.25	0.16	1/2 x 1/2 x 3-5/8
	682	283	723	324	10	M20 x 42	55	+0.030 +0.011	110			16 x 10 x 90
225	27.91	12.21	29.53	13.82	---	3/4-10 UNC x 1.65	2.125	+0.0000 -0.0010	4.33	9.02	0.14	1/2 x 1/2 x 3-5/8
	739	340	780	381	15	M20 x 42	60	+0.030 +0.011	140			259
250	29.07	13.37	30.70	14.98	15	3/4-10 UNC x 1.65	2.375	+0.0000 -0.0010	5.51	10.20	0.14	5/8 x 5/8 x 4-9/16
	739	340	780	381	15	M20 x 42	65	+0.030 +0.011	140			18 x 11 x 110

Refer to page ENGINEERING-4 for Input Shaft and Flange details.
Refer to page ENGINEERING-8 and ENGINEERING-9 for driven shaft dimensions.
Refer to page MSM-235 for Twin Tapered Bushing details.

NOMENCLATURE PAGE MSM-4	MOUNTING POSITIONS PAGE MSM-10	STOCK/NON-STOCK PART NUMBERS PAGE MSM-57	WEIGHTS PAGE MSM-250
----------------------------	-----------------------------------	---	-------------------------

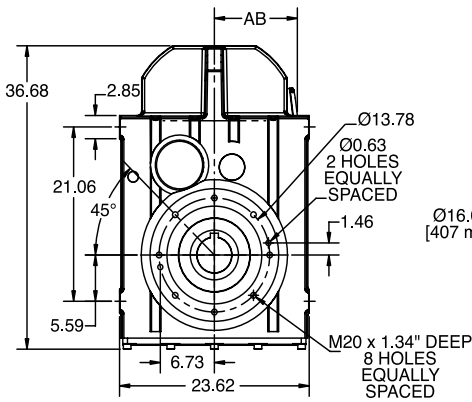
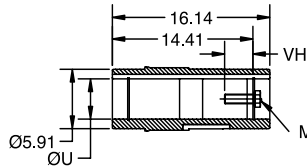
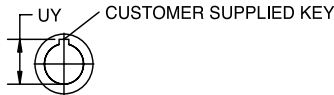
DIMENSIONS



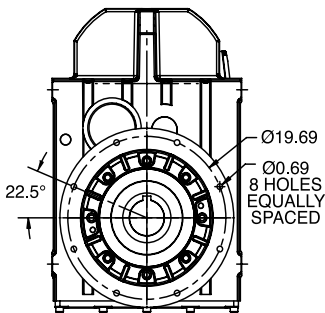
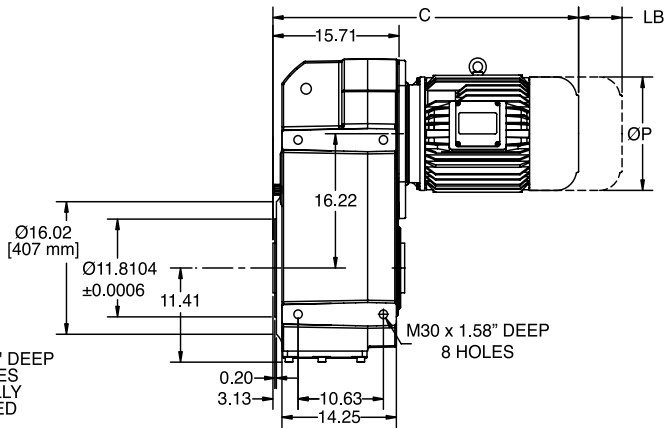
MOTORIZED SHAFT MOUNT REDUCER (MSM)

SIZE: MW168

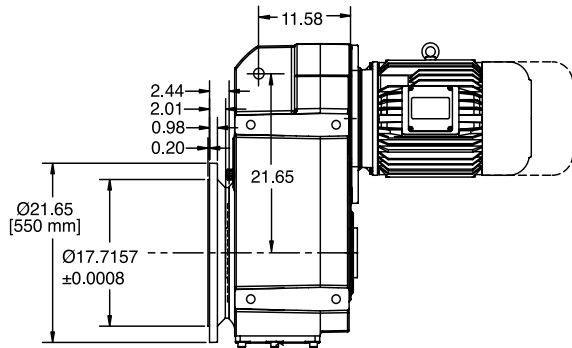
Integral Gearmotor - Universal Mounting
 Double/Triple Reduction
 Straight Hollow Bore Output Shaft



B14 OUTPUT FLANGE
 Ø407 mm



B5 OUTPUT FLANGE
 Ø550 mm



NOMENCLATURE
 PAGE MSM-4

MOUNTING POSITIONS
 PAGE MSM-10

STOCK/NON-STOCK PART NUMBERS
 PAGE MSM-57

WEIGHTS
 PAGE MSM-250

DIMENSIONS



MOTORIZED SHAFT MOUNT REDUCER (MSM)

SIZE: MW168

Integral Gearmotor - Universal Mounting
Double/Triple Reduction
Straight Hollow Bore Output Shaft

STANDARD HOLLOW OUTPUT SHAFT

Dimension - Inch/MM

ØU	tol.	UY	VH	KEY	M
4.000	+0.0014 +0.0005	4.45	2.29	1 x 1 x 5-7/8	1-8 x 3 UNC
100	+0.034 +0.012	106	77	28 x 16 x 160	M24 x 95

OPTIONAL HOLLOW OUTPUT SHAFT

Dimension - Inch/MM

ØU	tol.	UY	VH	KEY	M
3.9375	+0.0014 +0.0005	4.38	2.13	1 x 1 x 6	1-8 x 3 UNC
110	+0.034 +0.012	116	78	28 x 16 x 160	M24 x 100

MOTOR

Dimension - Inch/MM

Frame	MW168 Double		MW168 Triple		P	AB
	C	LB	C	LB		
132M4	30.95	3.9	32.56	3.9	10.28	8.09
	787	99	828	99	262	206
132N4	32.45	3.9	34.06	3.9	10.28	8.09
	825	99	866	99	262	206

Refer to page ENGINEERING-8 and ENGINEERING-9 for driven shaft dimensions.
Refer to page MSM-235 for Twin Tapered Bushing details.

QUANTIS

QUANTIS GOLD

ILH

RHB

MSM

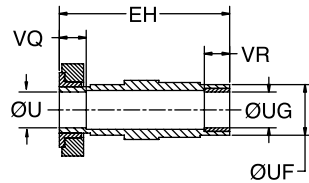
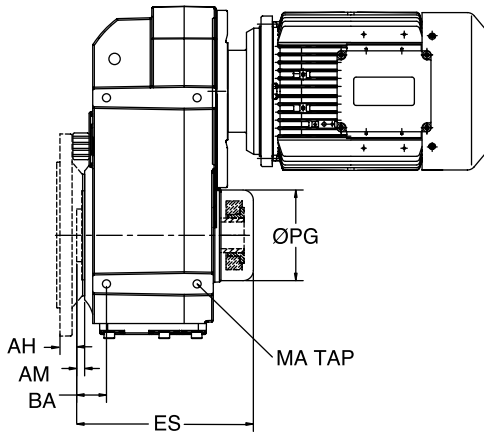
NOMENCLATURE PAGE MSM-4	MOUNTING POSITIONS PAGE MSM-10	STOCK/NON-STOCK PART NUMBERS PAGE MSM-57	WEIGHTS PAGE MSM-250
----------------------------	-----------------------------------	---	-------------------------

DIMENSIONS

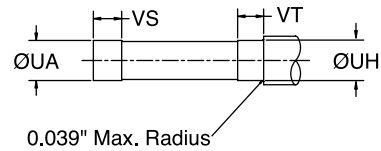


MOTORIZED SHAFT MOUNT REDUCER (MSM)

Shrink Disk - Universal Mounting



CUSTOMER SHAFT



Dimension - Inch/MM

UNIT SIZE	AM	BA	AH	ES	MA	ØPG	EH	ØU	Tol.	ØUA	Tol.	ØUF	ØUG	Tol.	ØUH	Tol.	VQ	VR	VS	VT
MW38	0.24	0.98	0.94	6.06	---	3.03	5.75	---	---	---	---	1.77	---	---	---	---	0.87	0.79	1.06	0.98
	6	25	24	154	M8	77	146	30	+0.021 -0.000	30	+0.000 -0.013	45	30	+0.021 -0.000	30	+0.000 -0.013	22	20	27	25
MW48	0.28	1.46	0.98	7.24	---	3.66	6.97	---	---	---	---	2.17	---	---	---	---	0.98	0.79	1.18	0.98
	7	37	25	184	M10	93	177	40	+0.025 -0.000	40	+0.000 -0.016	55	40	+0.025 -0.000	40	+0.000 -0.016	25	20	30	25
MW68	0.30	1.38	0.91	8.50	---	4.41	8.23	---	---	---	---	2.56	---	---	---	---	1.06	0.79	1.26	0.98
	7.5	35	23	216	M12	112	209	50	+0.025 -0.000	50	+0.000 -0.016	65	50	+0.025 -0.000	50	+0.000 -0.016	27	20	32	25
MW88	0.33	1.46	1.46	9.80	---	5.2	9.49	---	---	---	---	3.15	---	---	---	---	1.14	1.18	1.34	1.38
	8.5	37	37	249	M16	132	241	60	+0.030 -0.000	60	+0.000 -0.019	80	60	+0.030 -0.000	60	+0.000 -0.019	29	30	34	35
MW108	0.35	1.81	1.42	11.34	---	5.67	11.02	---	---	---	---	3.74	---	---	---	---	1.18	1.57	1.38	1.77
	9	46	36	288	M16	144	280	70	+0.030 -0.000	70	+0.000 -0.019	95	70	+0.030 -0.000	70	+0.000 -0.019	30	40	35	45
MW128	0.35	2.48	1.65	14.06	---	7.09	13.58	---	---	---	---	4.33	---	---	---	---	1.57	1.97	1.77	2.17
	9	63	42	357	M20	180	345	80	+0.030 -0.000	80	+0.000 -0.019	110	80	+0.030 -0.000	80	+0.000 -0.019	40	50	45	55
MW148	0.43	2.76	1.61	16.46	---	8.27	15.91	---	---	---	---	4.72	---	---	---	---	1.93	2.36	2.13	2.56
	11	70	41	418	M24	210	404	95	+0.035 -0.000	95	+0.000 -0.022	120	95	+0.035 -0.000	95	+0.000 -0.022	49	60	54	65
MW168	0.43	3.15	2.01	19.53	---	9.33	19.02	---	---	---	---	5.91	---	---	---	---	2.13	2.76	2.32	2.95
	11	80	51	496	M30	237	483	105	+0.035 -0.000	105	+0.000 -0.022	150	105	+0.035 -0.000	105	+0.000 -0.022	54	70	59	75

NOMENCLATURE
PAGE MSM-4

MOUNTING POSITIONS
PAGE MSM-10

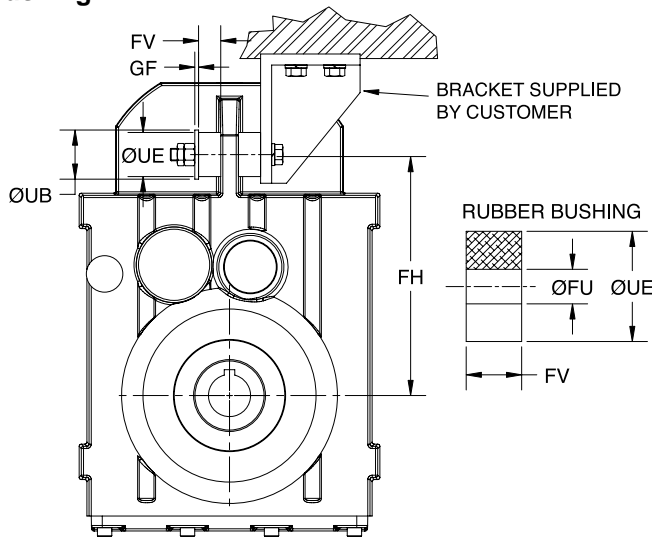
STOCK/NON-STOCK PART NUMBERS
PAGE MSM-57

WEIGHTS
PAGE MSM-250

DIMENSIONS



MOTORIZED SHAFT MOUNT REDUCER (MSM) TORQUE-ARM Bushing



Dimension - Inch/MM

UNIT SIZE	FH	FV	UB	UE	FU	GF (MIN)	RUBBER BUSHING KIT
MW38	6.18	0.59	1.57	1.18	0.41	0.10	086043
	157	15	40	30	10.5	2.5	
MW48	7.28	0.79	1.97	1.57	0.49	0.12	086050
	185	20	50	40	12.5	3	
MW68	8.58	0.79	1.97	1.57	0.49	0.12	086072
	218	20	50	40	12.5	3	
MW88	10.95	1.18	2.95	2.36	0.83	0.16	086078
	278	30	75	60	21	4	
MW108	13.62	1.18	2.95	2.36	0.83	0.16	086084
	346	30	75	60	21	4	
MW128	15.55	1.57	3.94	3.15	0.98	0.24	086090
	395	40	100	80	25	6	
MW148	19.09	1.57	3.94	3.15	0.98	0.24	086096
	485	40	100	80	25	6	
MW168	21.65	1.97	5.51	4.72	1.22	0.31	086102
	550	50	40	120	31	8	

Material of Bushings: Natural Rubber - Hardness 70 +/-5 Shore A, Temperature Resistant from -40 to 176° F.
Bushing module includes (2) bushings. Customer is to provide attaching tie rod and necessary hardware. The ideal position for the tie rod is at right angles (90°) to a line between the point of attachment to the reducer and the output shaft with a ±30° tolerance. Shaft mounted units must have a torque restraint similar to that shown above. The rubber bushing is recommended to protect the unit from shock loads. The bolt through the rubber bushing must be tightened such that all play is eliminated.

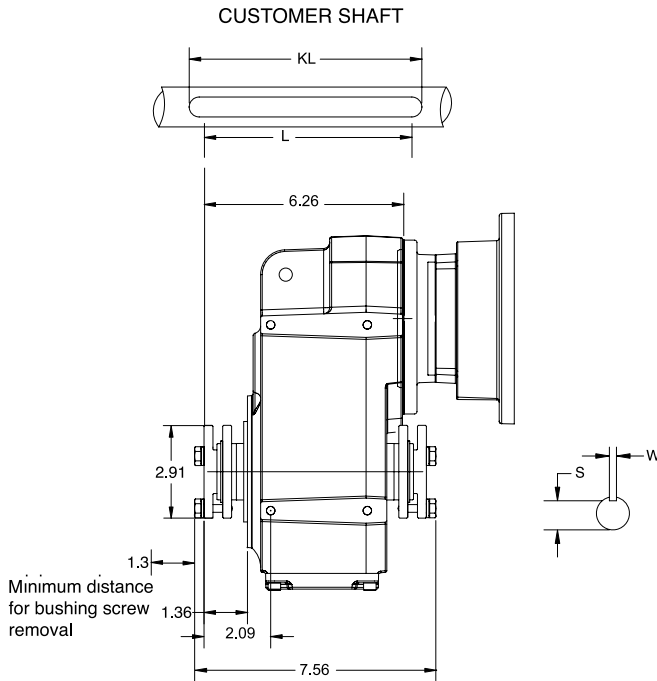
NOMENCLATURE PAGE MSM-4	MOUNTING POSITIONS PAGE MSM-10	STOCK/NON-STOCK PART NUMBERS PAGE MSM-57	WEIGHTS PAGE MSM-250
----------------------------	-----------------------------------	---	-------------------------

SELECTION/DIMENSIONS



MOTORIZED SHAFT MOUNT REDUCER (MSM) Twin Tapered Bushing

SIZE: MW38



Dimension - Inch/MM

Part Number	MSM Size 38	Bore	Weight (lbs)	L (4)	Part Number	MSM Size 38	Bore	Weight (lbs)	L (4)	Shaft Keyseat		
										W	S	KL (3)
093105	Standard (1)	1.3750"	2.0	6.75"	---	---	---	---	---	0.313"	1.201"	7.00"
093106	Standard	1.3125"	2.0		---	---	---	---	---	0.313"	1.137"	
093107	Standard	1.2500"	2.4		---	---	---	---	---	0.250"	1.112"	
093108	Standard	1.1875"	2.0		093115	Short Shaft (2)	1.1875"	2.0	5.1875"	0.250"	1.049"	
093109	Standard	1.1250"	2.0		093116	Short Shaft	1.1250"	2.0	0.250"	0.986"		
093110	Standard	1.0000"	2.0		093117	Short Shaft	1.0000"	2.0	0.250"	0.859"		
093111	Standard	35 MM	2.0		---	---	---	---	10 mm	30 mm		
093112	Standard	32 MM	2.0		---	---	---	---	10 mm	27 mm		
093113	Standard	30 MM	2.0		093118	Short Shaft	30 MM	2.0	10 mm	26 mm		
093114	Standard	25 MM	2.0		093119	Short Shaft	25 MM	2.0	8 mm	21 mm		

- (1) - Standard Shaft Bushing Kit includes two standard bushings with two back-up plates and snap rings; hardware, and key.
- (2) - Short Shaft Bushing Kit includes one standard bushing, one long bushing with insertable wedge; two back-up plates with snap rings; hardware and key.
This is an optional bushing for after market short shaft mounting.
- (3) - Standard key provided for Short Shaft Kit. Key will overhang customer shaft within bore.
- (4) - L dimension is the minimum required shaft length (in). Tolerance on customer shaft is nominal to 0.010" undersize on inch shafts, and nominal to 0.25mm undersize on metric shafts.

Note: The B5 flange cannot be used in combination with the tapered hollow bore output shaft due to the flange interfering with the twin tapered bushings.

Shaded Bore Sizes are Standard Non-Stock
 (---) - Bore Size not available.

NOMENCLATURE PAGE MSM-4	MOUNTING POSITIONS PAGE MSM-10	STOCK/NON-STOCK PART NUMBERS PAGE MSM-57	WEIGHTS PAGE MSM-250
----------------------------	-----------------------------------	---	-------------------------

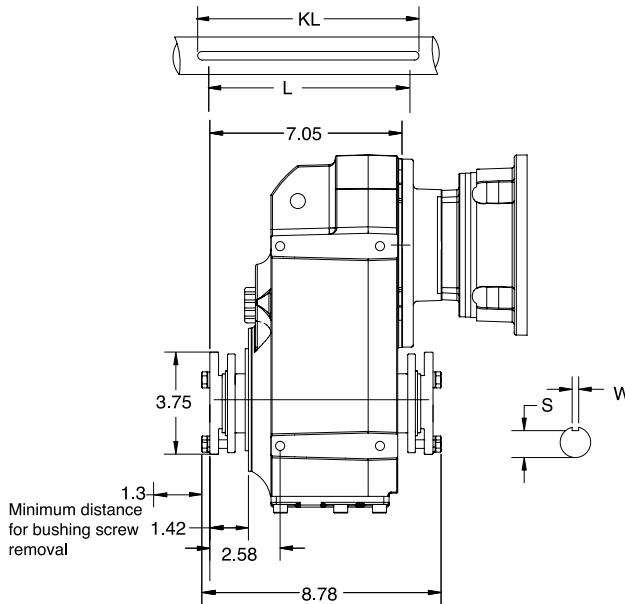
SELECTION/DIMENSIONS



MOTORIZED SHAFT MOUNT REDUCER (MSM) Twin Tapered Bushing

SIZE: MW48

CUSTOMER SHAFT



Dimension - Inch/MM

Part Number	MSM Size 48	Bore	Weight (lbs)	L (4)	Part Number	MSM Size 48	Bore	Weight (lbs)	L (4)	Shaft Keyseat		
										W	S	KL (3)
092593	Standard (1)	1.5000"	3.3	7.875"	---	---	---	---	5.6875"	0.375"	1.289"	8.1875"
092594	Standard	1.4375"	3.6		092607	Short Shaft (2)	1.4375"	3.7		0.375"	1.225"	
092595	Standard	1.3750"	3.5		092608	Short Shaft	1.3750"	4.1		0.3125"	1.201"	
092596	Standard	1.3125"	3.8		092609	Short Shaft	1.3125"	4.0		0.3125"	1.137"	
092597	Standard	1.2500"	3.7		092610	Short Shaft	1.2500"	4.1		0.25"	1.112"	
092598	Standard	1.1875"	3.8		092611	Short Shaft	1.1875"	4.2		0.25"	1.049"	
092599	Standard	1.1250"	4.0		092612	Short Shaft	1.1250"	4.4		0.25"	0.986"	
092600	Standard	1.0625"	4.0		092613	Short Shaft	1.0625"	4.5		0.25"	0.923"	
092601	Standard	1.0000"	4.2		092614	Short Shaft	1.0000"	4.7		0.25"	0.859"	
092602	Standard	40 MM	3.3		---	---	---	---		12 mm	35 mm	
092603	Standard	38 MM	3.3		---	---	---	---		12 mm	33 mm	
092604	Standard	35 MM	3.6		092615	Short Shaft	35 MM	3.9		10 mm	30 mm	
092605	Standard	32 MM	3.8		092616	Short Shaft	32 MM	4.2		10 mm	27 mm	
092606	Standard	30 MM	3.8		092617	Short Shaft	30 MM	4.3		8 mm	26 mm	

- (1) - Standard Shaft Bushing Kit includes two standard bushings with two back-up plates and snap rings; hardware, and key.
- (2) - Short Shaft Bushing Kit includes one standard bushing, one long bushing with insertable wedge; two back-up plates with snap rings; hardware and key.
This is an optional bushing for after market short shaft mounting.
- (3) - Standard key provided for Short Shaft Kit. Key will overhang customer shaft within bore.
- (4) L dimension is the minimum required shaft length (in). Tolerance on customer shaft is nominal to 0.010" undersize on inch shafts, and nominal to 0.25mm undersize on metric shafts.

NOTE: The B5 flange cannot be used in combination with the tapered hollow bore output shaft due to the flange interfering with the twin tapered bushings.

Shaded Bore Sizes are Standard Non-Stock
 (---) - Bore Size not available.

NOMENCLATURE PAGE MSM-4	MOUNTING POSITIONS PAGE MSM-10	STOCK/NON-STOCK PART NUMBERS PAGE MSM-57	WEIGHTS PAGE MSM-250
----------------------------	-----------------------------------	---	-------------------------

SELECTION/DIMENSIONS



QUANTIS

QUANTIS GOLD

LH

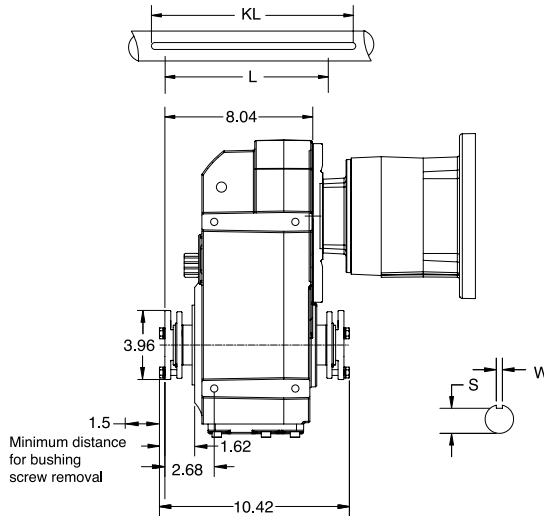
RHB

MSM

MOTORIZED SHAFT MOUNT REDUCER (MSM) Twin Tapered Bushing

SIZE: MW68

CUSTOMER SHAFT



Dimension - Inch/MM

Part Number	MSM Size 68	Bore	Weight (lbs)	L (4)	Part Number	MSM Size 68	Bore	Weight (lbs)	L (4)	Shaft Keyseat			
										W	S	KL (3)	
093121	Standard (1)	1.8750"	5.0	9.375"	---	---	---	---	---	0.500"	1.591"	9.75"	
093122	Standard	1.7500"	5.0		---	---	---	---	---	---	0.375"		1.542"
093123	Standard	1.6875"	5.0		---	---	---	---	---	---	0.375"		1.479"
093124	Standard	1.6250"	5.0		---	---	---	---	---	---	0.375"		1.416"
093125	Standard	1.5000"	5.0		093132	Short Shaft (2)	1.5000"	5.0	7.25"	7.25"	0.375"		1.289"
093126	Standard	1.4375"	5.0		093133	Short Shaft	1.4375"	5.0			0.375"		1.225"
093127	Standard	1.3750"	5.0		093134	Short Shaft	1.3750"	5.0			0.3125"		1.201"
093128	Standard	1.3125"	5.0		093135	Short Shaft	1.3125"	5.0			0.3125"		1.137"
093129	Standard	1.2500"	5.0		093136	Short Shaft	1.2500"	5.0			0.25"		1.112"
093130	Standard	1.1875"	5.0		093137	Short Shaft	1.1875"	5.0			0.25"		1.049"
093131	Standard	1.1250"	5.0		093138	Short Shaft	1.1250"	5.0			0.25"		0.986"
093139	Standard	45 MM	5.0		---	---	---	---			---		---
093140	Standard	42 MM	5.0		---	---	---	---	---	---	12 mm		37 mm
093141	Standard	40 MM	5.0		093146	Short Shaft	40 MM	5.0	7.25"	7.25"	12 mm		35 mm
093142	Standard	38 MM	5.0		093147	Short Shaft	38 MM	5.0			12 mm		33 mm
093143	Standard	35 MM	5.0	093148	Short Shaft	35 MM	5.0	10 mm			30 mm		
093144	Standard	32 MM	5.0	093149	Short Shaft	32 MM	5.0	10 mm			27 mm		
093145	Standard	30 MM	5.0	093150	Short Shaft	30 MM	5.0	8 mm			26 mm		

- (1) - Standard Shaft Bushing Kit includes two standard bushings with two back-up plates and snap rings; hardware, and key.
- (2) - Short Shaft Bushing Kit includes one standard bushing, one long bushing with insertable wedge; two back-up plates with snap rings; hardware and key.
This is an optional bushing for after market short shaft mounting.
- (3) - Standard key provided for Short Shaft Kit. Key will overhang customer shaft within bore.
- (4) - L dimension is the minimum required shaft length (in). Tolerance on customer shaft is nominal to 0.010" undersize on inch shafts, and nominal to 0.25mm undersize on metric shafts.

NOTE: The B5 flange cannot be used in combination with the tapered hollow bore output shaft due to the flange interfering with the twin tapered bushings

Shaded Bore Sizes are Standard Non-Stock.
(---) - Bore Size not available.

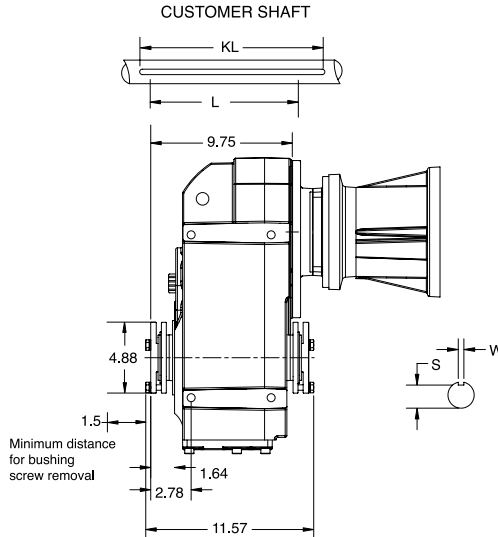
NOMENCLATURE PAGE MSM-4	MOUNTING POSITIONS PAGE MSM-10	STOCK/NON-STOCK PART NUMBERS PAGE MSM-57	WEIGHTS PAGE MSM-250
----------------------------	-----------------------------------	---	-------------------------

SELECTION/DIMENSIONS



MOTORIZED SHAFT MOUNT REDUCER (MSM) Twin Tapered Bushing

SIZE: MW88



Dimension - Inch/MM

Part Number	MSM Size 88	Bore	Weight (lbs)	L (4)	Part Number	MSM Size 88	Bore	Weight (lbs)	L (4)	Shaft Keyseat			
										W	S	KL (3)	
092619	Standard (1)	2.3750"	6.1	10.50"	---	---	---	---	---	0.625"	2.021"	11.25"	
092620	Standard	2.2500"	6.2		---	---	---	---	---	0.500"	1.893"		
092621	Standard	2.1875"	6.8		092631	Short Shaft (2)	2.1875"	7.0	7.5625"	0.500"	1.909"		
092622	Standard	2.1250"	7.0		092632	Short Shaft	2.1250"	7.4		0.500"	1.845"		
092623	Standard	2.0000"	7.5		092633	Short Shaft	2.0000"	8.0		0.500"	1.718"		
092624	Standard	1.9375"	7.8		092634	Short Shaft	1.9375"	8.4		0.500"	1.655"		
092625	Standard	1.8750"	8.0		092635	Short Shaft	1.8750"	8.7		0.500"	1.591"		
092626	Standard	1.7500"	8.0		092636	Short Shaft	1.7500"	9.0		0.375"	1.542"		
092627	Standard	1.6875"	8.2		092637	Short Shaft	1.6875"	9.3		0.375"	1.479"		
092628	Standard	1.6250"	8.4		092638	Short Shaft	1.6250"	9.6		0.375"	1.416"		
092629	Standard	1.5000"	8.8		092639	Short Shaft	1.5000"	9.9		0.375"	1.289"		
092630	Standard	1.4375"	8.8		092640	Short Shaft	1.4375"	10.0		0.375"	1.225"		
092641	Standard	60 MM	6.2		---	---	---	---		---	18 mm		53 mm
092642	Standard	55 MM	6.8		092649	Short Shaft	55 MM	7.1		7.5625"	16 mm		49 mm
092643	Standard	50 MM	7.5		092650	Short Shaft	50 MM	8.1	14 mm		44.5 mm		
092644	Standard	45 MM	8.1		092651	Short Shaft	45 MM	9.0	14 mm		39.5 mm		
092645	Standard	42 MM	8.4		092652	Short Shaft	42 MM	9.5	12 mm		37 mm		
092646	Standard	40 MM	8.6		092653	Short Shaft	40 MM	9.8	12 mm		35 mm		
092647	Standard	38 MM	8.8		092654	Short Shaft	38 MM	10.1	12 mm		33 mm		
092648	Standard	35 MM	9.0		092655	Short Shaft	35 MM	10.6	10 mm		30 mm		

- (1) - Standard Shaft Bushing Kit includes two standard bushings with two back-up plates and snap rings; hardware, and key.
- (2) - Short Shaft Bushing Kit includes one standard bushing, one long bushing with insertable wedge; two back-up plates with snap rings; hardware and key.
This is an optional bushing for after market short shaft mounting.
- (3) - Standard key provided for Short Shaft Kit. Key will overhang customer shaft within bore.
- (4) - L dimension is the minimum required shaft length (in). Tolerance on customer shaft is nominal to 0.010" undersize on inch shafts, and nominal to 0.25mm undersize on metric shafts.

NOTE : The B5 flange cannot be used in combination with the tapered hollow bore output shaft due to the flange interfering with the twin tapered bushings

Shaded Bore Sizes are Standard Non-Stock.
 (---) - Bore Size not available.

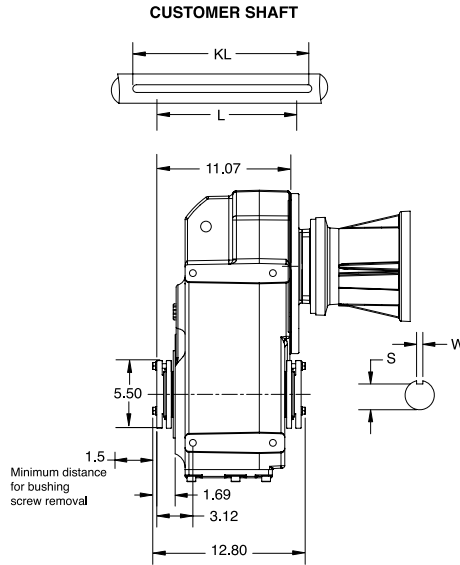
NOMENCLATURE PAGE MSM-4	MOUNTING POSITIONS PAGE MSM-10	STOCK/NON-STOCK PART NUMBERS PAGE MSM-57	WEIGHTS PAGE MSM-250
----------------------------	-----------------------------------	---	-------------------------

SELECTION/DIMENSIONS



MOTORIZED SHAFT MOUNT REDUCER (MSM) Twin Tapered Bushing

SIZE: MW108



Dimension - Inch/MM

Part Number	MSM Size 108	Bore	Weight (lbs)	L (4)	Part Number	MSM Size 108	Bore	Weight (lbs)	L (4)	Shaft Keyseat			
										W	S	KL (3)	
092871	Standard (1)	2.6875"	9.4	11.6875"	---	---	---	---	---	0.625"	2.338"	12.625"	
092872	Standard	2.5000"	10.6		---	---	---	---	---	---	0.625"		2.148"
092873	Standard	2.4375"	10.8		092883	Short Shaft (2)	2.4375"	11.3	---	---	0.625"		2.084"
092874	Standard	2.3750"	11.3		092884	Short Shaft	2.3750"	11.8	---	---	0.625"		2.021"
092875	Standard	2.2500"	11.5		092885	Short Shaft	2.2500"	12.4	---	---	0.500"		1.893"
092876	Standard	2.1875"	11.5		092886	Short Shaft	2.1875"	12.8	---	8.875"	0.500"		1.909"
092877	Standard	2.1250"	12.2		092887	Short Shaft	2.1250"	13.3	---	---	0.500"		1.845"
092878	Standard	2.0000"	12.6		092888	Short Shaft	2.0000"	13.9	---	---	0.500"		1.718"
092879	Standard	1.9375"	13.0		092889	Short Shaft	1.9375"	14.3	---	---	0.500"		1.655"
092880	Standard	1.8750"	13.2		092890	Short Shaft	1.8750"	14.6	---	---	0.500"		1.591"
092881	Standard	1.7500"	13.3		092891	Short Shaft	1.7500"	15.0	---	---	0.375"		1.542"
092882	Standard	1.6875"	13.5		092892	Short Shaft	1.6875"	15.3	---	---	0.375"		1.479"
092893	Standard	70 MM	9.1		---	---	---	---	---	---	20 mm		62.5 mm
092894	Standard	65 MM	10.0		092900	Short Shaft	65 MM	10.4	---	---	18 mm		58 mm
092895	Standard	60 MM	11.2	092901	Short Shaft	60 MM	11.8	---	---	18 mm	53 mm		
092896	Standard	55 MM	12.0	092902	Short Shaft	55 MM	13.0	---	8.875"	16 mm	49 mm		
092897	Standard	50 MM	12.6	092903	Short Shaft	50 MM	14.0	---	---	14 mm	44.5 mm		
092898	Standard	45 MM	12.6	092904	Short Shaft	45 MM	15.1	---	---	14 mm	39.5 mm		
092899	Standard	42 MM	13.7	092905	Short Shaft	42 MM	15.6	---	---	12 mm	37 mm		

- Standard Shaft Bushing Kit includes two standard bushings with two back-up plates and snap rings; hardware, and key.
- Short Shaft Bushing Kit includes one standard bushing, one long bushing with insertable wedge; two back-up plates with snap rings; hardware and key.
This is an optional bushing for after market short shaft mounting.
- Standard key provided for Short Shaft Kit. Key will overhang customer shaft within bore.
- L dimension is the minimum required shaft length (in). Tolerance on customer shaft is nominal to 0.010" undersize on inch shafts, and nominal to 0.25mm undersize on metric shafts.

NOTE: The B5 flange cannot be used in combination with the tapered hollow bore output shaft due to the flange interfering with the twin tapered bushings

Shaded Bore Sizes are Standard Non-Stock.
(---) - Bore Size not available.

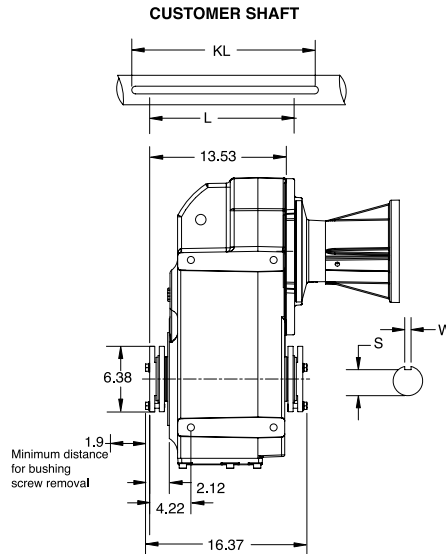
NOMENCLATURE PAGE MSM-4	MOUNTING POSITIONS PAGE MSM-10	STOCK/NON-STOCK PART NUMBERS PAGE MSM-57	WEIGHTS PAGE MSM-250
----------------------------	-----------------------------------	---	-------------------------

SELECTION/DIMENSIONS



MOTORIZED SHAFT MOUNT REDUCER (MSM) Twin Tapered Bushing

SIZE: MW128



Dimension - Inch/MM

Part Number	MSM Size 128	Bore	Weight (lbs)	L (4)	Part Number	MSM Size 128	Bore	Weight (lbs)	L (4)	Shaft Keyseat			
										W	S	KL (3)	
092834	Standard (1)	3.1875"	13.7	14.875"	---	---	---	---	11.375"	0.750"	2.768"	15.625"	
092835	Standard	3.0000"	15.1		---	---	---	---		0.750"	2.577"		
092836	Standard	2.9375"	15.6		092847	Short Shaft (2)	2.9375"	16.2		0.750"	2.514"		
092837	Standard	2.8750"	16.1		092848	Short Shaft	2.8750"	16.9		0.750"	2.450"		
092838	Standard	2.6875"	16.7		092849	Short Shaft	2.6875"	18.1		0.625"	2.338"		
092839	Standard	2.5000"	17.9		092850	Short Shaft	2.5000"	19.7		0.625"	2.148"		
092840	Standard	2.4375"	18.1		092851	Short Shaft	2.4375"	20.1		0.625"	2.084"		
092841	Standard	2.3750"	18.3		092852	Short Shaft	2.3750"	20.5		0.625"	2.021"		
092842	Standard	2.2500"	18.9		092853	Short Shaft	2.2500"	21.4		0.500"	1.893"		
092843	Standard	2.1875"	19.1		092854	Short Shaft	2.1875"	21.8		0.500"	1.909"		
092844	Standard	2.1250"	19.3		092855	Short Shaft	2.1250"	22.2		0.500"	1.845"		
092845	Standard	2.0000"	19.9		092856	Short Shaft	2.0000"	23.0		0.500"	1.718"		
092846	Standard	1.9375"	20.1		092857	Short Shaft	1.9375"	23.4		0.500"	1.655"		
092858	Standard	80 MM	14.1		---	---	---	---		---	22 mm		71 mm
092859	Standard	75 MM	15.3		092865	Short Shaft	75 MM	15.8		11.375"	20 mm		67.5 mm
092860	Standard	70 MM	16.3		092866	Short Shaft	70 MM	17.4			20 mm		62.5 mm
092861	Standard	65 MM	17.5		092867	Short Shaft	65 MM	18.9			18 mm		58 mm
092862	Standard	60 MM	18.5		092868	Short Shaft	60 MM	21.7			18 mm		53 mm
092863	Standard	55 MM	19.3		092869	Short Shaft	55 MM	22.0			16 mm		49 mm
092864	Standard	50 MM	19.9		092870	Short Shaft	50 MM	23.1			14 mm		44.5 mm

- (1) - Standard Shaft Bushing Kit includes two standard bushings with two back-up plates and snap rings; hardware, and key.
- (2) - Short Shaft Bushing Kit includes one standard bushing, one long bushing with insertable wedge; two back-up plates with snap rings; hardware and key.
This is an optional bushing for after market short shaft mounting.
- (3) - Standard key provided for Short Shaft Kit. Key will overhang customer shaft within bore.
- (4) - L dimension is the minimum required shaft length (in). Tolerance on customer shaft is nominal to 0.010" undersize on inch shafts, and nominal to 0.25mm undersize on metric shafts.

NOTE : The B5 flange cannot be used in combination with the tapered hollow bore output shaft due to the flange interfering with the twin tapered bushings

Shaded Bore Sizes are Standard Non-Stock.
 (---) - Bore Size not available.

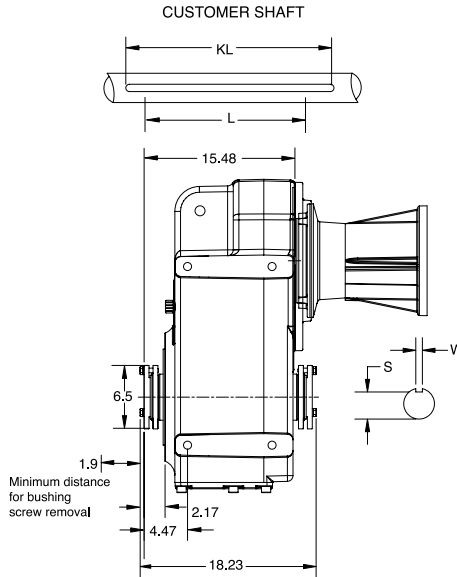
NOMENCLATURE PAGE MSM-4	MOUNTING POSITIONS PAGE MSM-10	STOCK/NON-STOCK PART NUMBERS PAGE MSM-57	WEIGHTS PAGE MSM-250
----------------------------	-----------------------------------	---	-------------------------

SELECTION/DIMENSIONS



MOTORIZED SHAFT MOUNT REDUCER (MSM) Twin Tapered Bushing

SIZE: MW148



Dimension - Inch/MM

Part Number	MSM Size 148	Bore	Weight (lbs)	L (4)	Part Number	MSM Size 148	Bore	Weight (lbs)	L (4)	Shaft Keyseat			
										W	S	KL (3)	
093033	Standard (1)	3.4375"	16.1	16.75"	093044	Short Shaft (2)	3.4375"	16.5	13.1875"	0.875"	2.943"	17.6875"	
093034	Standard	3.1875"	17.7		093045	Short Shaft	3.1875"	19.0		0.750"	2.768"		
093035	Standard	3.0000"	19.1		093046	Short Shaft	3.0000"	20.9		0.750"	2.577"		
093036	Standard	2.9375"	19.6		093047	Short Shaft	2.9375"	21.6		0.750"	2.514"		
093037	Standard	2.8750"	20.1		093048	Short Shaft	2.8750"	22.3		0.750"	2.450"		
093038	Standard	2.6875"	20.9		093049	Short Shaft	2.6875"	23.7		0.625"	2.338"		
093039	Standard	2.5000"	22.1		093050	Short Shaft	2.5000"	25.3		0.625"	2.148"		
093040	Standard	2.4375"	22.3		093051	Short Shaft	2.4375"	25.8		0.625"	2.084"		
093041	Standard	2.3750"	22.7		093052	Short Shaft	2.3750"	26.3		0.625"	2.021"		
093042	Standard	2.2500"	23.1		093053	Short Shaft	2.2500"	26.7		0.500"	1.893"		
093043	Standard	2.1875"	23.3		093054	Short Shaft	2.1875"	27.5		0.500"	1.909"		
093055	Standard	90 MM	14.9		---	---	---	---		---	25 mm		81 mm
093056	Standard	85 MM	16.4		13.1875"	093062	Short Shaft	85 MM		17.1	22 mm		76 mm
093057	Standard	80 MM	18.1			093063	Short Shaft	80 MM		19.4	22 mm		71 mm
093058	Standard	75 MM	19.3	093064		Short Shaft	75 MM	21.2	20 mm	67.5 mm			
093059	Standard	70 MM	20.4	093065		Short Shaft	70 MM	23.0	20 mm	62.5 mm			
093060	Standard	65 MM	21.4	093066		Short Shaft	65 MM	24.0	18 mm	58 mm			
093061	Standard	60 MM	22.6	093067		Short Shaft	60 MM	26.3	18 mm	53 mm			

- (1) - Standard Shaft Bushing Kit includes two standard bushings with two back-up plates and snap rings; hardware, and key.
- (2) - Short Shaft Bushing Kit includes one standard bushing, one long bushing with insertable wedge; two back-up plates with snap rings; hardware and key.
This is an optional bushing for after market short shaft mounting.
- (3) - Standard key provided for Short Shaft Kit. Key will overhang customer shaft within bore.
- (4) - L dimension is the minimum required shaft length (in). Tolerance on customer shaft is nominal to 0.010" undersize on inch shafts, and nominal to 0.25mm undersize on metric shafts.

NOTE: The B5 flange cannot be used in combination with the tapered hollow bore output shaft due to the flange interfering with the twin tapered bushings

Shaded Bore Sizes are Standard Non-Stock.
(---) - Bore Size not available.

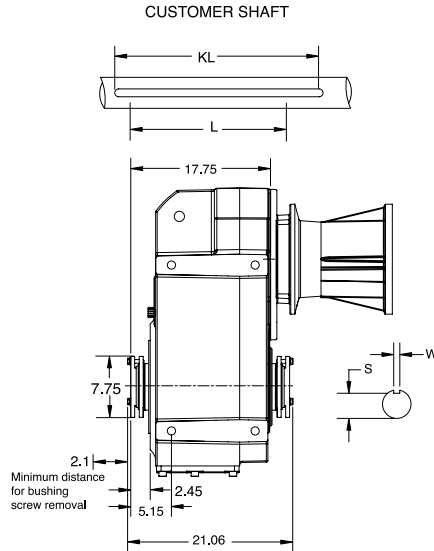
NOMENCLATURE PAGE MSM-4	MOUNTING POSITIONS PAGE MSM-10	STOCK/NON-STOCK PART NUMBERS PAGE MSM-57	WEIGHTS PAGE MSM-250
----------------------------	-----------------------------------	---	-------------------------

SELECTION/DIMENSIONS



MOTORIZED SHAFT MOUNT REDUCER (MSM) Twin Tapered Bushing

SIZE: MW168



Dimension - Inch/MM

Part Number	MSM Size 168	Bore	Weight (lbs)	L (4)	Part Number	MSM Size 168	Bore	Weight (lbs)	L (4)	Shaft Keyseat			
										W	S	KL (3)	
093068	Standard (1)	4.4375"	20.5	19.6875"	---	---	---	---	---	1.000"	3.880"	20.5625"	
093069	Standard	4.1875"	23.5		---	---	---	---	---	1.000"	3.627"		
093070	Standard	3.9375"	26.3		093079	Short Shaft (2)	3.9375"	26.7	16.00"	1.000"	3.373"		
093071	Standard	3.4375"	30.9		093080	Short Shaft	3.4375"	34.2		0.875"	2.943"		
093072	Standard	3.1875"	32.6		093081	Short Shaft	3.1875"	36.7		0.750"	2.768"		
093073	Standard	3.0000"	34.0		093082	Short Shaft	3.0000"	38.8		0.750"	2.577"		
093074	Standard	2.9375"	34.6		093083	Short Shaft	2.9375"	39.6		0.750"	2.514"		
093075	Standard	2.8750"	35.0		093084	Short Shaft	2.8750"	40.2		0.750"	2.450"		
093076	Standard	2.6875"	35.8		093085	Short Shaft	2.6875"	41.7		0.625"	2.338"		
093077	Standard	2.5000"	37.2		093086	Short Shaft	2.5000"	43.6		0.625"	2.148"		
093078	Standard	2.4375"	37.4		093087	Short Shaft	2.4375"	44.1		0.625"	2.084"		
093088	Standard	110 MM	21.4		---	---	---	---		---	28 mm		100 mm
093089	Standard	100 MM	25.9		093097	Short Shaft	100 MM	27.1		16.00"	28 mm		90 mm
093090	Standard	95 MM	27.8		093098	Short Shaft	95 MM	29.8			25 mm		86 mm
093091	Standard	90 MM	29.7		093099	Short Shaft	90 MM	32.5			25 mm		81 mm
093092	Standard	85 MM	31.1		093100	Short Shaft	85 MM	34.6			22 mm		76 mm
093093	Standard	80 MM	32.7		093101	Short Shaft	80 MM	37.0	22 mm		71 mm		
093094	Standard	75 MM	33.9		093102	Short Shaft	75 MM	39.0	20 mm		67.5 mm		
093095	Standard	70 MM	35.3		093103	Short Shaft	70 MM	41.1	20 mm		62.5 mm		
093096	Standard	65 MM	36.5		093104	Short Shaft	65 MM	42.8	18 mm		58 mm		

- (1) - Standard Shaft Bushing Kit includes two standard bushings with two back-up plates and snap rings; hardware, and key.
- (2) - Short Shaft Bushing Kit includes one standard bushing, one long bushing with insertable wedge; two back-up plates with snap rings; hardware and key.
This is an optional bushing for after market short shaft mounting.
- (3) - Standard key provided for Short Shaft Kit. Key will overhang customer shaft within bore.
- (4) - L dimension is the minimum required shaft length (in). Tolerance on customer shaft is nominal to 0.010" undersize on inch shafts, and nominal to 0.25mm undersize on metric shafts.

NOTE : The B5 flange cannot be used in combination with the tapered hollow bore output shaft due to the flange interfering with the twin tapered bushings

Shaded Bore Sizes are Standard Non-Stock.
 (---) - Bore Size not available.

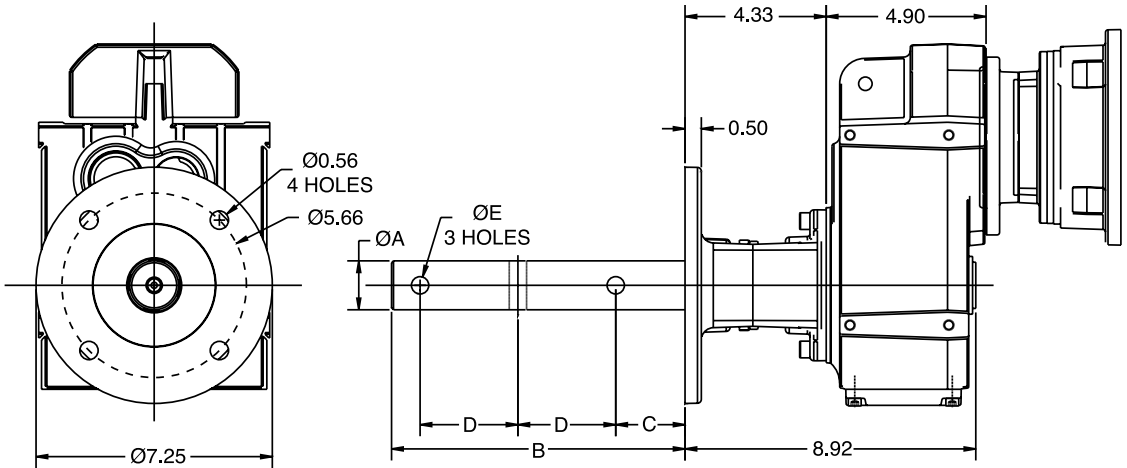
NOMENCLATURE PAGE MSM-4	MOUNTING POSITIONS PAGE MSM-10	STOCK/NON-STOCK PART NUMBERS PAGE MSM-57	WEIGHTS PAGE MSM-250
----------------------------	-----------------------------------	---	-------------------------

MOTORIZED SHAFT MOUNT REDUCER (MSM)

SIZE: MW38

MSM 38 Screw Conveyor Drive

Complete drive consists of reducer, CEMA drive shaft and adapter assembly. Drive is shipped unassembled.



CEMA Drive Shafts

Dimension - Inch

Drive Shaft	Screw Dia.	Part No.	$\varnothing A$	B	C	D	$\varnothing E$	Weight (lbs.)
1.5" Standard	6" - 9"	091583	1.50	9.00	2.13	3.00	0.53	8.0

	Part No.	Weight (lbs.)
Standard Adapter Assembly	091698	10.1
Severe Duty Package	091699	1.0

Notes:

Screw conveyor option is for use with the standard inch straight bore hollow shaft (1.250").

Severe Duty option includes packing retainer, stud and nut and a braided felt seal.

The MSM 38 is designed to handle 1300 pounds thrust at the output bearings.

Reference pages MSM-98 - MSM-113 for dimensions of gearcase and input options.

SELECTION/DIMENSIONS

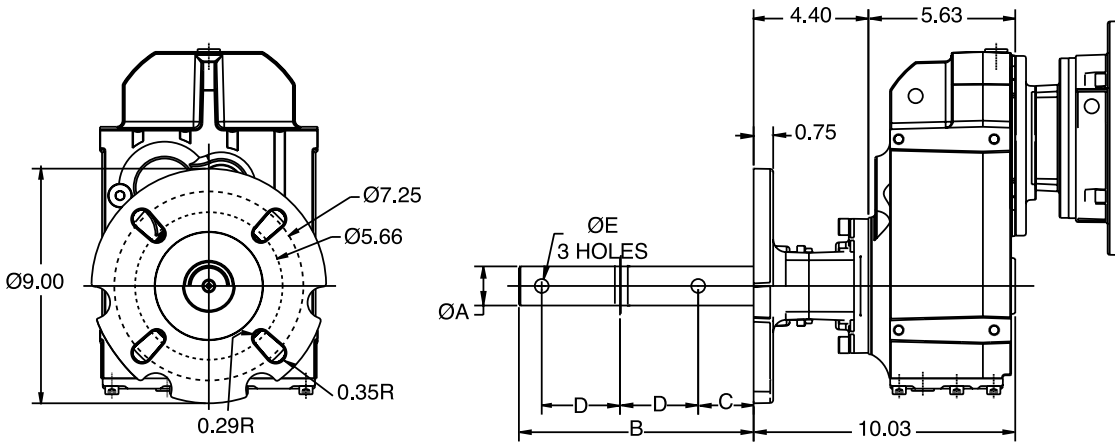


MOTORIZED SHAFT MOUNT REDUCER (MSM)

SIZE: MW48

MSM 48 Screw Conveyor Drive

Complete drive consists of reducer, CEMA drive shaft and adapter assembly. Drive is shipped unassembled.



CEMA Drive Shafts

								Dimension - Inch	
Drive Shaft	Screw Dia.	Part No.	Ø A	B	C	D	Ø E	Weight (lbs)	
1.5" Standard	6" - 9"	091585	1.50	9.00	2.13	3.00	0.53	9.4	
2" Standard	9" - 12"	091587	2.00	9.00	2.13	3.00	0.66	12.8	

	Part No.	Weight (lbs.)
Standard Adapter Assembly	091700	19.3
Severe Duty Package	091701	1.5

Notes:

Screw conveyor option is for use with the standard inch straight bore hollow shaft (1.375").

Severe Duty option includes packing retainer, stud and nut and a braided felt seal.

The MSM 48 is designed to handle 3400 pounds thrust at the output bearings.

Reference page MSM-114 - MSM-129 for dimensions of gearcase and input options.

NOMENCLATURE PAGE MSM-4	MOUNTING POSITIONS PAGE MSM-10	STOCK/NON-STOCK PART NUMBERS PAGE MSM-57	WEIGHTS PAGE MSM-250
----------------------------	-----------------------------------	---	-------------------------

SELECTION/DIMENSIONS

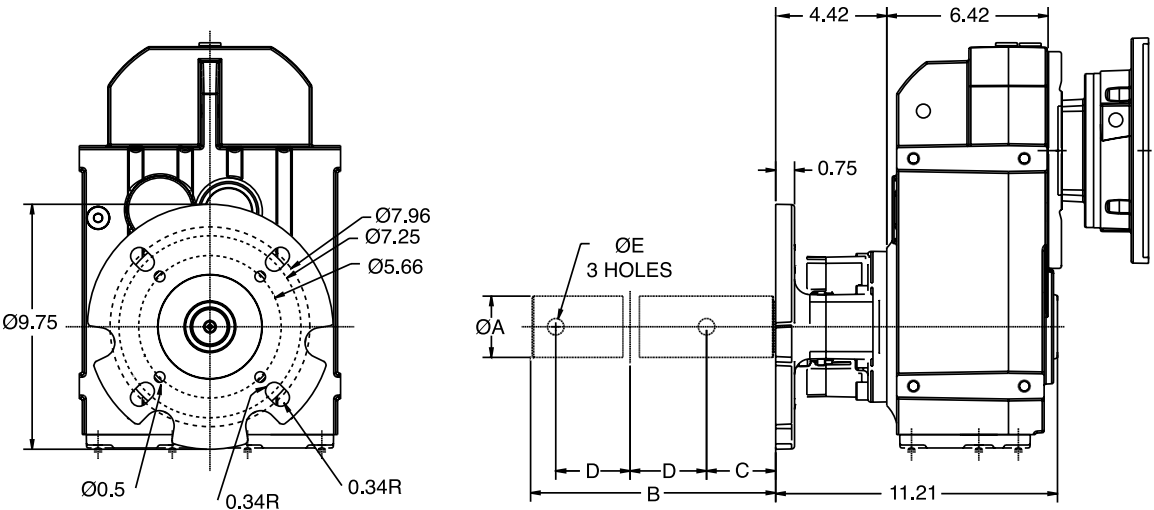


MOTORIZED SHAFT MOUNT REDUCER (MSM)

SIZE: MW68

MSM 68 Screw Conveyor Drive

Complete drive consists of reducer, CEMA drive shaft and adapter assembly. Drive is shipped unassembled.



CEMA Drive Shafts

Dimension - Inch

Drive Shaft	Screw Dia.	Part No.	Ø A	B	C	D	Ø E	Weight (lbs)
1.5" Standard	6" - 9"	091589	1.50	9.00	2.13	3.00	0.53	10.5
2" Standard	9" - 12"	091591	2.00	9.00	2.13	3.00	0.66	13.8
2.4375" Standard	12" - 14"	091593	2.4375	9.69	2.75	3.00	0.66	18.6

	Part No.	Weight (lbs.)
Standard Adapter Assembly	091702	22.0
Severe Duty Package	091703	1.5

Notes:

Screw conveyor option is for use with the standard inch straight bore hollow shaft (1.50").
 Severe Duty option includes packing retainer, stud and nut and a braided felt seal.
 The MSM 68 is designed to handle 4600 pounds thrust at the output bearings.
 Reference page MSM-130 - MSM-145 for dimensions of gearcase and input options.

NOMENCLATURE PAGE MSM-4	MOUNTING POSITIONS PAGE MSM-10	STOCK/NON-STOCK PART NUMBERS PAGE MSM-57	WEIGHTS PAGE MSM-250
----------------------------	-----------------------------------	---	-------------------------

SELECTION/DIMENSIONS

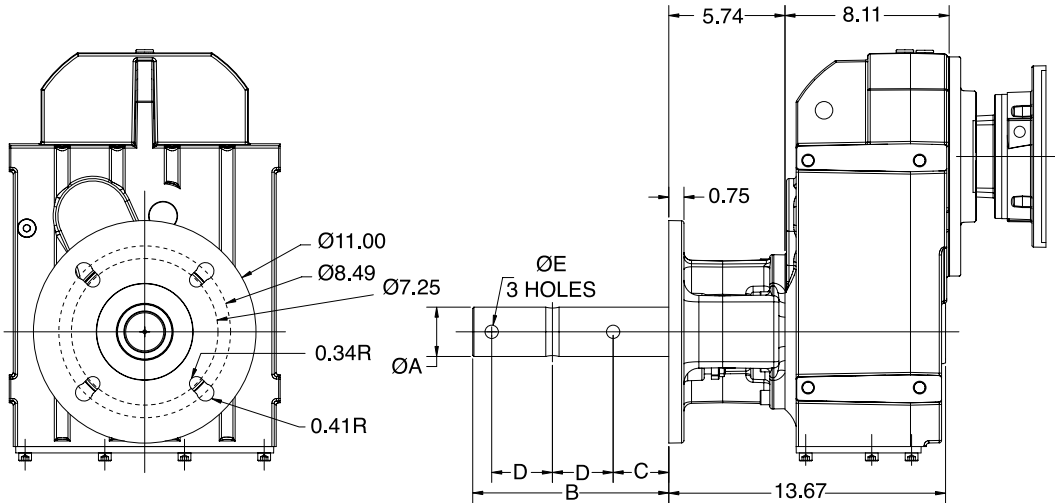


MOTORIZED SHAFT MOUNT REDUCER (MSM)

SIZE: MW88

MSM 88 Screw Conveyor Drive

Complete drive consists of reducer, CEMA drive shaft and adapter assembly. Drive is shipped unassembled.



CEMA Drive Shafts

Dimension - Inch

Drive Shaft	Screw Dia.	Part No.	Ø A	B	C	D	Ø E	Weight (lbs)
2" Standard	9" - 12"	091597	2.00	9.00	2.13	3.00	0.66	22.3
2.4375" Standard	12"-14"	091599	2.4375	9.69	2.75	3.00	0.66	27.1
3" Standard	12"-20"	091601	3.00	9.87	2.87	3.00	0.78	33.7

	Part No.	Weight (lbs.)
Standard Adapter Assembly	091704	39.6
Severe Duty Package	091705	2.3

Notes:

Screw conveyor option is for use with the standard inch straight bore hollow shaft (2.00").

Severe Duty option includes packing retainer, stud and nut and a braided felt seal.

The MSM 88 is designed to handle 6000 pounds thrust at the output bearings.

Reference page MSM-146 - MSM-159 for dimensions of gearcase and input options.

NOMENCLATURE PAGE MSM-4	MOUNTING POSITIONS PAGE MSM-10	STOCK/NON-STOCK PART NUMBERS PAGE MSM-57	WEIGHTS PAGE MSM-250
----------------------------	-----------------------------------	---	-------------------------

SELECTION/DIMENSIONS

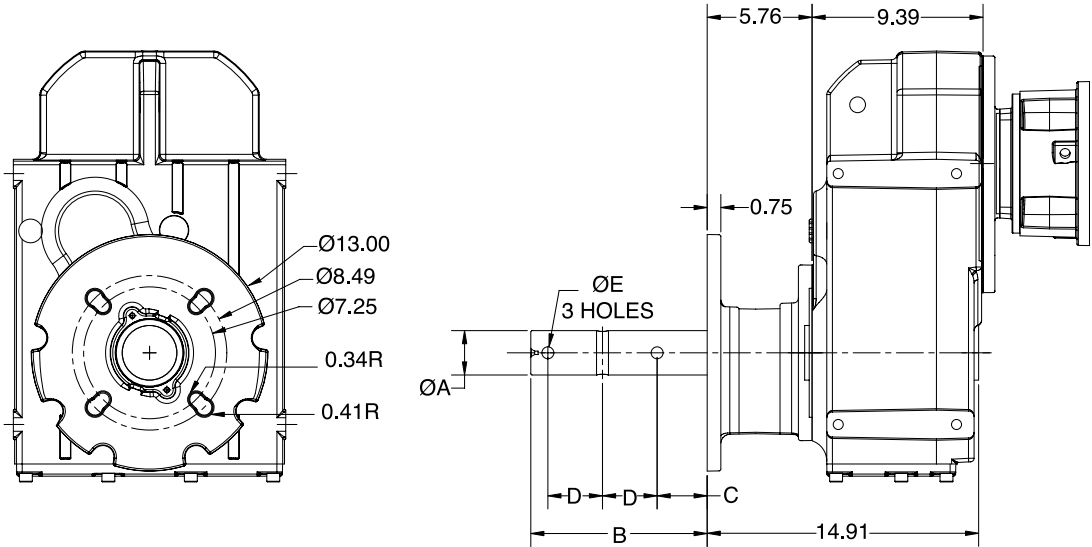


MOTORIZED SHAFT MOUNT REDUCER (MSM)

SIZE: MW108

MSM 108 Screw Conveyor Drive

Complete drive consists of reducer, CEMA drive shaft and adapter assembly. Drive is shipped unassembled.



CEMA Drive Shafts

Dimension - Inch

Drive Shaft	Screw Dia.	Part No.	Ø A	B	C	D	Ø E	Weight (lbs)
2" Standard	9" - 12"	091603	2.00	9.00	2.13	3.00	0.66	27.2
2.4375" Standard	12"-14"	091605	2.4375	9.69	2.75	3.00	0.66	32.1
3" Standard	12"-20"	091607	3.00	9.87	2.87	3.00	0.78	38.8

	Part No.	Weight (lbs.)
Standard Adapter Assembly	091706	58.2
Severe Duty Package	091707	2.1

Notes:

Screw conveyor option is for use with the standard inch straight bore hollow shaft (2.375").

Severe Duty option includes packing retainer, stud and nut and a braided felt seal.

The MSM 108 is designed to handle 7000 pounds thrust at the output bearings.

Reference page MSM-160 - MSM-175 for dimensions of gearcase and input options.

NOMENCLATURE PAGE MSM-4	MOUNTING POSITIONS PAGE MSM-10	STOCK/NON-STOCK PART NUMBERS PAGE MSM-57	WEIGHTS PAGE MSM-250
----------------------------	-----------------------------------	---	-------------------------

SELECTION/DIMENSIONS

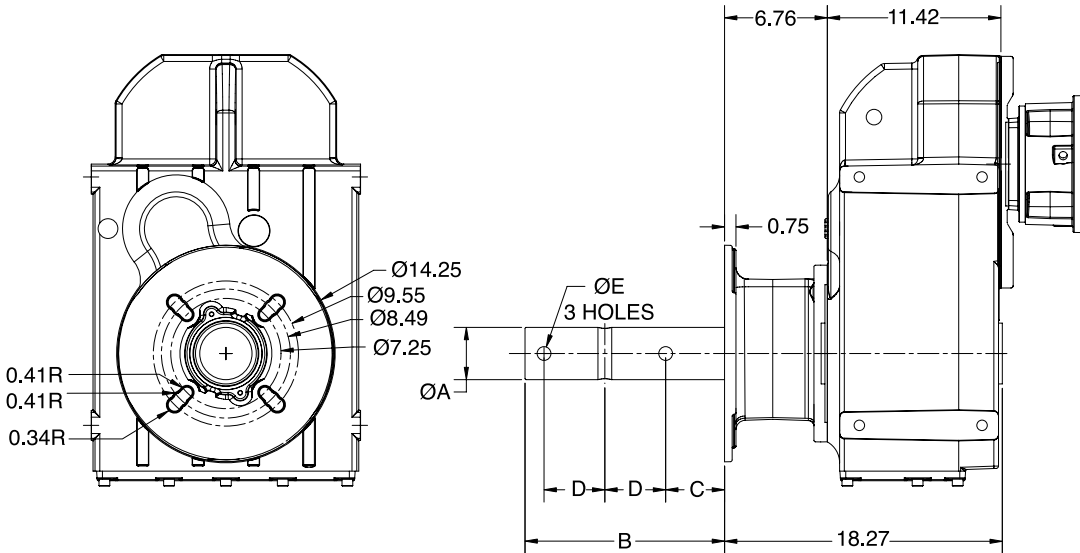


MOTORIZED SHAFT MOUNT REDUCER (MSM)

SIZE: MW128

MSM 128 Screw Conveyor Drive

Complete drive consists of reducer, CEMA drive shaft and adapter assembly. Drive is shipped unassembled.



CEMA Drive Shafts

Dimension - Inch

Drive Shaft	Screw Dia.	Part No.	Ø A	B	C	D	Ø E	Weight (lbs)
2" Standard	9" - 12"	091609	2.00	9.00	2.13	3.00	0.66	43.4
2.4375" Standard	12"-14"	091611	2.4375	9.69	2.75	3.00	0.66	48.2
3" Standard	12"-20"	091613	3.00	9.87	2.87	3.00	0.78	54.9
3.4375" Standard	18" - 20"	091615	3.4375	13.13	3.87	4.00	0.91	69.4

	Part No.	Weight (lbs.)
Standard Adapter Assembly	091708	88.4
Severe Duty Package	091709	3.4

Notes:

Screw conveyor option is for use with the standard inch straight bore hollow shaft (2.750").

Severe Duty option includes packing retainer, stud and nut and a braided felt seal.

The MSM 128 is designed to handle 9000 pounds thrust at the output bearings.

Reference page MSM-176 - MSM-193 for dimensions of gearcase and input options.

NOMENCLATURE PAGE MSM-4	MOUNTING POSITIONS PAGE MSM-10	STOCK/NON-STOCK PART NUMBERS PAGE MSM-57	WEIGHTS PAGE MSM-250
----------------------------	-----------------------------------	---	-------------------------

THERMAL RATINGS



QUANTS

QUANTS GOLD

ILH

RHB

MSM

THERMAL RATINGS - MSM 38

The Thermal HP Ratings shown in the table below are based on an ambient temperature of 68°F, continuous operation, and fan cooled motors, as well as with the standard ISO VG220 factory filled lubricant. If using a different lubricant, please contact Application Engineering. Shaded values indicate that the unit is thermally limited.

Ratio	1750 RPM							3450 RPM						
	Output Speed RPM	Rated Power HP	Mounting Position					Output Speed RPM	Rated Power HP	Mounting Position				
			A1 HP	A2 HP	A3 HP	A4 HP	A5, A6 HP			A1 HP	A2 HP	A3 HP	A4 HP	A5, A6 HP
9.80	178.6	7.45	19.7	19.7	19.7	19.5	19.8	352.2	11.19	18.9	18.4	18.8	18.3	19.4
11.39	153.6	6.91	18.9	18.9	18.9	18.8	19.0	302.8	10.37	18.8	18.4	18.7	18.3	19.1
12.64	138.5	6.42	17.9	17.8	17.9	17.8	17.9	272.9	9.83	18.1	17.8	18.0	17.7	18.4
13.76	127.1	5.89	18.1	18.1	18.2	18.1	18.2	250.6	9.39	18.6	18.4	18.6	18.3	18.9
15.39	113.7	5.27	17.1	17.1	17.1	17.0	17.1	224.1	8.83	17.8	17.6	17.7	17.5	18.0
16.83	104.0	4.82	16.3	16.3	16.3	16.2	16.3	205.0	8.40	17.1	17.0	17.1	16.9	17.3
18.47	94.7	4.39	15.6	15.6	15.6	15.5	15.6	186.8	7.96	16.5	16.5	16.5	16.4	16.7
20.37	85.9	3.98	15.0	15.0	15.0	14.9	15.0	169.4	7.53	16.0	16.0	16.0	15.9	16.1
22.58	77.5	3.59	14.1	14.1	14.1	14.1	14.2	152.8	7.08	15.2	15.2	15.2	15.2	15.4
25.58	68.4	3.17	13.7	13.7	13.7	13.7	13.7	134.9	6.25	14.9	14.9	15.0	14.9	15.0
28.22	62.0	2.87	12.6	12.6	12.6	12.6	12.6	122.2	5.66	13.8	13.8	13.9	13.8	13.9
31.91	54.8	2.54	11.5	11.5	11.5	11.5	11.5	108.1	5.01	12.7	12.7	12.7	12.7	12.7
36.43	48.0	2.23	11.4	11.4	11.4	11.4	11.4	94.7	4.39	12.8	12.8	12.8	12.7	12.7
38.19	45.8	1.93	10.4	10.4	10.4	10.4	10.4	90.3	2.91	11.3	11.3	11.3	11.2	11.2
43.43	40.3	1.70	9.5	9.5	9.5	9.5	9.5	79.4	2.69	10.4	10.4	10.4	10.4	10.4
49.56	35.3	1.49	9.5	9.5	9.5	9.5	9.5	69.6	2.47	10.4	10.4	10.4	10.4	10.4
55.84	31.3	1.32	8.8	8.8	8.8	8.8	8.8	61.8	2.29	9.7	9.7	9.7	9.7	9.7
62.40	28.0	1.18	8.2	8.2	8.3	8.2	8.2	55.3	2.13	9.1	9.1	9.1	9.1	9.1
71.18	24.6	1.04	7.6	7.6	7.6	7.6	7.6	48.5	1.79	8.4	8.4	8.4	8.4	8.4
80.17	21.8	0.80	7.0	7.0	7.0	7.0	7.0	43.0	1.34	7.8	7.8	7.8	7.8	7.8

MSM Thermal Factors	
Ambient Temp (Deg. F)	Thermal Factor
0	1.89
20	1.69
40	1.30
60	1.09
68	1.00
80	0.87
100	0.68
120	0.47

Rated power as shown on the table above is for the largest available motor frame for a unit size and ratio. When using the factors in the table, compare result with the actual ratio and motor frame used.

Example: MSM 38, 18.47:1, 1750 RPM input speed, 140TC motor frame at 120 degree F ambient, A5 mounting position:

According to the table above, this unit is capable of 15.6 HP Thermally at 68 degree F. To convert this to the capability at 120 degrees F, multiply the rating by the factor in the Thermal Factors table (0.47). Actual Thermal Rating is $15.6 \times 0.47 = 7.332$ HP. The mechanical rating for the MSM 38, 18.47, 140TC frame is 4.36 HP. This unit is not thermally limited.

NOMENCLATURE PAGE MSM-4	MOUNTING POSITIONS PAGE MSM-10	SELECTION GEARMOTOR PAGE MSM-62	WEIGHTS PAGE MSM-250
----------------------------	-----------------------------------	------------------------------------	-------------------------

THERMAL RATINGS



THERMAL RATINGS - MSM 48

The Thermal HP Ratings shown in the table below are based on an ambient temperature of 68°F, continuous operation, and fan cooled motors, as well as with the standard ISO VG220 factory filled lubricant. If using a different lubricant, please contact Application Engineering. Shaded values indicate that the unit is thermally limited.

Ratio	1750 RPM								3450 RPM							
	Output Speed	Rated Power	Mounting Position						Output Speed	Rated Power	Mounting Position					
			A1A	A2	A3	A4	A5, A6	A1A			A2	A3	A4	A5, A6		
	RPM	HP	HP	HP	HP	HP	HP	RPM	HP	HP	HP	HP	HP	HP		
7.95	220.3	7.70	30.4	30.2	30.4	30.2	30.6	434.2	11.22	29.4	27.0	28.8	28.0	30.1		
9.55	183.3	7.07	28.5	28.3	28.5	28.3	28.6	361.4	10.30	28.8	27.1	28.2	27.8	29.2		
11.24	155.7	6.53	26.9	26.9	27.0	26.9	27.1	307.0	9.50	27.9	27.0	27.8	27.4	28.3		
12.59	139.0	6.16	26.3	26.2	26.3	26.2	26.3	274.0	8.97	27.7	27.1	27.7	27.4	28.1		
14.11	124.0	5.80	25.2	25.1	25.2	25.1	25.2	244.4	8.44	26.9	26.4	26.8	26.6	27.1		
15.41	113.6	5.53	24.1	24.1	24.1	24.1	24.1	223.9	8.06	25.9	25.5	25.8	25.7	26.1		
16.63	105.2	6.48	22.3	22.2	22.2	22.1	22.1	207.4	9.72	21.1	20.6	20.8	20.5	20.5		
19.34	90.5	5.98	21.2	21.1	21.1	21.1	21.1	178.4	8.97	20.4	20.1	20.3	20.1	20.0		
21.46	81.5	5.50	20.0	20.0	20.0	19.9	19.9	160.8	8.48	19.6	19.3	19.4	19.3	19.2		
23.37	74.9	5.05	20.0	20.0	20.0	20.0	20.0	147.6	8.08	19.9	19.7	19.8	19.6	19.5		
26.14	67.0	4.51	18.9	18.9	18.9	18.9	18.9	132.0	7.58	18.9	18.7	18.8	18.7	18.7		
28.58	61.2	4.13	18.0	18.0	18.0	18.0	18.0	120.7	7.20	18.2	18.0	18.1	18.0	17.9		
31.36	55.8	3.76	17.3	17.3	17.3	17.3	17.3	110.0	6.82	17.5	17.4	17.5	17.4	17.4		
34.58	50.6	3.41	16.6	16.6	16.6	16.6	16.6	99.8	6.43	16.9	16.9	16.9	16.8	16.8		
38.33	45.7	3.08	15.7	15.7	15.7	15.7	15.7	90.0	6.02	16.1	16.1	16.1	16.1	16.0		
43.43	40.3	2.72	15.2	15.2	15.2	15.2	15.2	79.4	5.36	15.7	15.7	15.7	15.7	15.6		
47.92	36.5	2.46	14.1	14.1	14.1	14.1	14.1	72.0	4.85	14.7	14.6	14.6	14.6	14.6		
54.17	32.3	2.18	13.0	13.0	13.0	13.0	13.0	63.7	4.29	13.6	13.5	13.5	13.5	13.5		
61.86	28.3	1.91	12.8	12.8	12.8	12.8	12.8	55.8	3.76	13.5	13.5	13.5	13.5	13.4		
70.33	24.9	1.68	11.7	11.7	11.7	11.7	11.7	49.1	3.31	12.4	12.4	12.4	12.4	12.4		
75.27	23.2	1.57	11.4	11.4	11.4	11.4	11.4	45.8	2.91	12.1	12.1	12.1	12.1	12.1		
86.77	20.2	1.36	10.3	10.3	10.3	10.3	10.3	39.8	1.87	11.0	11.0	11.0	11.0	11.0		

MSM Thermal Factors	
Ambient Temp (Deg. F)	Thermal Factor
0	1.89
20	1.69
40	1.30
60	1.09
68	1.00
80	0.87
100	0.68
120	0.47

Rated power as shown on the table above is for the largest available motor frame for a unit size and ratio. When using the factors in the table, compare result with the actual ratio and motor frame used.

Example: MSM 48, 54.17:1, 3450 RPM input speed, 180TC motor frame at 80 degree F ambient, A4 mounting position:

According to the table above, this unit is capable of 13.5 HP Thermally at 68 degree F. To convert this to the capability at 80 degrees F, multiply the rating by the factor in the Thermal Factors table (0.87). Actual Thermal Rating is 13.5*0.87 = 11.745 HP. The mechanical rating for the MSM 48, 54.17, 180TC frame is 4.29 HP. This unit is not thermally limited.

NOMENCLATURE PAGE MSM-4	MOUNTING POSITIONS PAGE MSM-10	SELECTION GEARMOTOR PAGE MSM-62	WEIGHTS PAGE MSM-250
----------------------------	-----------------------------------	------------------------------------	-------------------------

THERMAL RATINGS



THERMAL RATINGS - MSM 68

The Thermal HP ratings shown in the table below are based on an ambient temperature of 68°F, continuous operation, and fan cooled motors, as well as with the standard ISO VG220 factory filled lubricant. If using a different lubricant, please contact Application Engineering. Shaded values indicate that the unit is thermally limited.

Ratio	1750 RPM								3450 RPM							
	Output Speed RPM	Rated Power HP	Mounting Position						Output Speed RPM	Rated Power HP	Mounting Position					
			A1 HP	A2 HP	A3 HP	A4 HP	A5, A6 HP	A1 HP			A2 HP	A3 HP	A4 HP	A5, A6 HP		
6.65	263.1	26.92	47.6	46.4	46.6	46.7	48.9	518.7	49.21	25.3	16.9	19.4	19.7	30.8		
8.02	218.1	25.38	47.2	46.3	46.4	46.6	47.9	430.0	45.03	32.4	25.9	27.7	28.7	35.9		
9.63	181.7	23.74	48.8	48.4	48.4	48.5	49.5	358.3	41.10	39.2	35.8	36.3	37.2	42.0		
11.29	155.0	21.52	46.6	46.4	46.3	46.4	47.1	305.7	37.77	40.3	37.8	38.2	38.9	42.2		
13.45	130.1	18.27	43.6	43.4	43.4	43.5	43.9	256.5	34.29	39.7	38.2	38.4	39.1	41.2		
14.59	120.0	16.85	42.9	42.8	42.7	42.8	43.2	236.5	32.35	40.1	38.9	39.0	39.5	41.2		
16.28	107.5	15.09	41.2	41.1	41.1	41.2	41.5	211.9	29.42	39.4	38.6	38.6	39.0	40.3		
17.64	99.2	13.93	39.7	39.7	39.6	39.7	39.9	195.6	27.47	38.5	37.8	37.8	38.2	39.2		
19.99	87.5	12.29	37.6	37.5	37.5	37.5	37.7	172.6	24.24	37.1	36.6	36.6	36.9	37.6		
21.54	81.3	11.41	35.7	35.6	35.6	35.6	35.7	160.2	22.50	35.6	35.1	35.1	35.4	35.9		
23.29	75.2	10.55	34.0	34.0	34.0	34.0	34.1	148.2	20.81	34.2	33.9	33.9	34.1	34.5		
26.75	65.4	7.81	31.1	31.1	31.1	31.1	31.1	129.0	11.92	30.4	30.0	30.3	30.1	30.0		
29.37	59.6	7.11	30.2	30.1	30.2	30.2	30.1	117.5	11.15	29.8	29.4	29.7	29.5	29.4		
32.34	54.1	6.46	28.6	28.5	28.6	28.5	28.5	106.7	10.40	28.3	28.1	28.2	28.2	28.1		
35.10	49.9	5.95	27.4	27.4	27.4	27.4	27.4	98.3	9.80	27.4	27.2	27.4	27.3	27.3		
38.25	45.7	5.46	26.2	26.2	26.2	26.2	26.2	90.2	9.21	26.3	26.1	26.3	26.2	26.2		
41.89	41.8	4.99	24.9	24.9	24.9	24.9	24.9	82.4	8.63	25.2	25.0	25.1	25.1	25.1		
46.14	37.9	4.53	23.6	23.6	23.6	23.6	23.6	74.8	8.05	24.0	25.5	23.9	23.9	23.8		
53.07	33.0	3.94	22.1	22.4	22.1	22.1	22.4	65.0	7.29	22.7	22.6	22.6	22.7	22.6		
57.49	30.4	3.63	20.8	20.8	20.8	20.8	20.8	60.0	6.89	21.4	21.3	21.4	21.4	21.4		
63.54	27.5	3.29	19.6	19.6	19.6	19.6	19.6	54.3	6.41	20.3	20.1	20.2	20.3	20.2		
74.13	23.6	2.82	18.4	18.4	18.4	18.4	18.4	46.5	5.56	19.1	19.1	19.1	19.1	19.1		
82.52	21.2	2.53	17.1	17.1	17.1	17.1	17.1	41.8	4.39	17.9	17.8	17.9	17.9	17.9		

MSM Thermal Factors	
Ambient Temp (Deg. F)	Thermal Factor
0	1.89
20	1.69
40	1.30
60	1.09
68	1.00
80	0.87
100	0.68
120	0.47

Rated power as shown on the table above is for the largest available motor frame for a unit size and ratio. When using the factors in the table, compare result with the actual ratio and motor frame used.

Example: MSM 68, 6.65:1, 3450 RPM input speed, 210TC motor frame at 40 degree F ambient, A2 mounting position:

According to the table above, this unit is capable of 16.9 HP Thermally at 68 degree F. To convert this to the capability at 40 degrees F, multiply the rating by the factor in the Thermal Factors table (1.30). Actual Thermal Rating is 16.9*1.3 = 21.97 HP. The mechanical rating for the MSM 68, 6.65, 210TC frame is 49.21 HP. This unit is now thermally limited to 21.97 HP.

NOMENCLATURE PAGE MSM-4	MOUNTING POSITIONS PAGE MSM-10	SELECTION GEARMOTOR PAGE MSM-62	WEIGHTS PAGE MSM-250
----------------------------	-----------------------------------	------------------------------------	-------------------------

THERMAL RATINGS



THERMAL RATINGS - MSM 88

The Thermal HP ratings shown in the table below are based on an ambient temperature of 68°F, continuous operation, and fan cooled motors, as well as with the standard ISO VG220 factory filled lubricant. If using a different lubricant, please contact Application Engineering. Shaded values indicate that the unit is thermally limited.

Ratio	1750 RPM								3450 RPM							
	Output Speed	Rated Power	Mounting Position						Output Speed	Rated Power	Mounting Position					
			A1	A2	A3	A4	A5, A6	A1			A2	A3	A4	A5, A6		
	RPM	HP	HP	HP	HP	HP	HP	RPM	HP	HP	HP	HP	HP	HP		
8.85	197.8	45.47	90.2	85.7	89.1	87.5	91.7	390.0	79.73	52.3	20.4	40.9	36.1	57.3		
10.79	162.2	43.28	88.2	86.1	88.4	87.1	89.7	319.8	71.77	64.6	49.2	64.1	58.0	72.1		
12.64	138.4	36.94	84.4	82.9	84.5	83.6	85.4	272.9	65.75	69.1	58.3	68.5	64.9	74.4		
14.86	117.8	31.42	84.9	84.1	85.1	84.5	85.7	232.2	59.94	76.1	70.1	76.8	73.8	80.2		
17.05	102.6	27.39	80.1	79.5	80.2	79.7	80.6	202.3	53.99	75.0	70.7	75.4	73.6	77.9		
20.12	87.0	23.20	73.8	73.5	73.9	73.6	74.2	171.4	45.74	72.1	69.2	72.3	71.1	73.9		
21.81	80.2	21.41	72.2	72.0	72.3	72.0	72.5	158.2	42.20	71.6	69.6	71.8	71.1	73.2		
24.25	72.2	19.25	68.4	68.2	68.5	68.3	68.7	142.3	37.96	69.1	67.5	69.2	68.6	70.3		
26.34	66.4	17.73	64.8	64.7	64.8	64.7	65.0	131.0	34.94	66.2	64.9	66.2	65.8	67.0		
29.14	60.1	16.03	61.9	61.9	62.1	61.9	62.1	118.4	31.59	64.1	63.1	64.2	63.9	64.7		
30.67	57.1	13.62	56.4	56.2	56.5	56.2	56.2	112.5	24.19	63.3	54.7	55.5	55.5	55.2		
34.23	51.1	12.20	54.1	54.0	54.2	54.0	54.0	100.8	22.24	54.3	53.3	54.0	54.0	53.8		
37.08	47.2	11.27	52.1	51.9	52.1	51.9	51.9	93.0	20.99	52.7	51.8	52.5	52.5	52.2		
42.03	41.6	9.94	49.2	49.1	49.2	49.2	49.1	82.1	19.17	50.2	49.6	50.0	50.0	49.8		
45.27	38.7	9.23	46.8	46.8	46.8	46.8	46.8	76.2	18.18	48.1	47.6	47.9	47.9	47.8		
48.95	35.7	8.53	44.8	44.7	44.8	44.8	44.7	70.5	16.83	46.3	45.8	46.1	46.1	45.9		
53.16	32.9	7.86	42.7	42.7	42.7	42.7	42.7	64.9	15.49	44.4	43.9	44.1	44.3	44.1		
58.78	29.8	7.11	40.1	40.1	40.1	40.1	40.1	58.7	14.01	41.9	41.5	41.8	41.8	41.8		
63.67	27.5	6.56	38.3	38.3	38.3	38.3	38.3	54.2	12.94	40.2	40.0	40.1	40.2	40.1		
71.75	24.4	5.82	36.2	36.2	36.2	36.2	36.2	48.1	11.48	38.3	38.1	38.1	38.2	38.1		
78.56	22.3	5.32	33.7	33.6	33.6	33.6	33.6	43.9	9.98	35.7	35.5	35.6	35.7	35.7		
87.50	20.0	4.77	31.1	31.1	31.1	31.1	31.1	39.4	6.98	33.2	34.9	33.0	33.2	33.1		
100.06	17.5	3.22	29.6	29.6	29.6	29.6	29.6	34.5	4.42	31.8	31.6	31.7	31.8	33.3		
110.96	15.8	2.94	27.5	27.4	27.5	27.5	27.5	31.1	3.03	29.6	29.5	29.5	29.6	29.5		
123.05	14.2	2.68	25.5	25.4	25.4	25.5	25.5	28.0	2.17	27.6	27.4	27.4	27.6	27.4		

MSM Thermal Factors	
Ambient Temp (Deg. F)	Thermal Factor
0	1.89
20	1.69
40	1.30
60	1.09
68	1.00
80	0.87
100	0.68
120	0.47

Rated power as shown on the table above is for the largest available motor frame for a unit size and ratio. When using the factors in the table, compare result with the actual ratio and motor frame used.

Example: MSM 88, 29.14:1, 1750 RPM input speed, 210TC motor frame at 100 degree F ambient, A3 mounting position:

According to the table above, this unit is capable of 62.1 HP Thermally at 68 degree F. To convert this to the capability at 100 degrees F, multiply the rating by the factor in the Thermal Factors table (0.68). Actual Thermal Rating is 62.1 * 0.68 = 42.228 HP. The mechanical rating for the MSM 88, 29.14, 210TC frame is 16.03 HP. This unit is not thermally limited.

NOMENCLATURE PAGE MSM-4	MOUNTING POSITIONS PAGE MSM-10	SELECTION GEARMOTOR PAGE MSM-62	WEIGHTS PAGE MSM-250
----------------------------	-----------------------------------	------------------------------------	-------------------------

THERMAL RATINGS



THERMAL RATINGS - MSM 108

The Thermal HP ratings shown in the table below are based on an ambient temperature of 68°F, continuous operation, and fan cooled motors, as well as with the standard ISO VG220 factory filled lubricant. If using a different lubricant, please contact Application Engineering. Shaded values indicate that the unit is thermally limited.

Ratio	1750 RPM							3450 RPM						
	Output Speed	Rated Power	Mounting Position					Output Speed	Rated Power	Mounting Position				
			A1	A2	A3	A4	A5, A6			A1	A2	A3	A4	A5, A6
RPM	HP	HP	HP	HP	HP	HP	RPM	HP	HP	HP	HP	HP	HP	
9.52	183.8	74.16	111.9	100.8	107.9	105.8	114.1	362.4	114.72	32.1	0.0	7.4	0.0	38.6
11.08	158.0	66.01	112.1	104.8	110.3	108.5	114.5	311.5	105.97	52.3	6.7	36.0	30.6	62.7
12.28	142.6	60.87	112.3	107.1	111.2	109.7	114.3	281.1	100.24	65.6	27.0	54.8	49.6	75.5
14.59	120.0	52.98	108.4	105.8	108.6	107.3	110.4	236.5	91.02	77.5	57.2	77.6	71.0	88.7
16.83	104.0	47.09	103.2	101.3	103.4	102.4	104.6	204.9	83.79	82.5	67.7	82.1	78.1	90.1
19.78	88.5	41.13	101.8	100.9	102.2	101.5	103.1	174.4	76.05	90.2	81.4	90.2	87.7	95.0
21.18	82.6	29.24	84.1	82.7	83.8	83.5	83.3	162.9	43.88	72.6	62.9	70.0	69.6	67.3
24.89	70.3	26.63	83.1	82.3	83.0	82.8	82.6	138.6	39.96	75.5	70.1	74.6	74.2	72.6
28.56	61.3	24.54	78.2	77.7	78.1	78.1	77.8	120.8	36.83	73.2	69.1	72.4	72.1	71.0
33.71	51.9	22.19	72.1	71.9	72.1	72.1	72.0	102.4	33.30	69.5	66.7	68.8	68.8	67.9
36.54	47.9	21.11	70.5	70.1	70.4	70.4	70.2	94.4	31.69	68.8	66.5	68.0	68.2	67.5
40.62	43.1	19.76	66.8	66.7	66.8	66.8	66.7	84.9	29.66	65.9	64.4	65.6	65.7	65.2
44.12	39.7	18.76	63.7	63.4	63.7	63.5	63.5	78.2	28.15	63.3	61.9	62.9	63.1	62.6
48.81	35.9	17.12	60.9	60.8	62.1	62.1	60.8	70.7	26.21	61.2	59.9	61.0	61.2	60.6
52.40	33.4	15.95	58.0	57.8	58.0	58.0	57.9	65.8	24.92	58.6	57.5	58.1	58.6	58.0
56.47	31.0	14.80	55.4	55.3	55.3	55.4	55.3	61.1	23.63	56.4	55.3	55.8	56.1	55.8
61.12	28.6	13.67	52.7	52.7	52.7	52.7	52.7	56.4	22.34	54.0	53.1	53.5	53.7	53.5
66.48	26.3	12.57	50.8	50.0	50.0	50.8	50.0	51.9	21.05	51.5	50.6	51.1	51.5	51.1
72.74	24.1	11.49	47.2	47.1	47.2	47.2	47.1	47.4	18.94	48.7	48.1	48.3	48.7	48.5

MSM Thermal Factors	
Ambient Temp (Deg. F)	Thermal Factor
0	1.89
20	1.69
40	1.30
60	1.09
68	1.00
80	0.87
100	0.68
120	0.47

Rated power as shown on the table above is for the largest available motor frame for a unit size and ratio. When using the factors in the table, compare result with the actual ratio and motor frame used.

Example: MSM 108, 9.52:1, 1750 RPM input speed, 280TC motor frame at 120 degree F ambient, A4 mounting position:

According to the table above, this unit is capable of 105.8 HP Thermally at 68 degree F. To convert this to the capability at 120 degrees F, multiply the rating by the factor in the Thermal Factors table (0.47). Actual Thermal Rating is $105.8 \times 0.47 = 49.726$ HP. The mechanical rating for the MSM 108, 9.52, 280TC frame is 74.16 HP. This unit is now thermally limited to 49.726 HP.

NOMENCLATURE PAGE MSM-4	MOUNTING POSITIONS PAGE MSM-10	SELECTION GEARMOTOR PAGE MSM-62	WEIGHTS PAGE MSM-250
----------------------------	-----------------------------------	------------------------------------	-------------------------

THERMAL RATINGS



THERMAL RATINGS - MSM 128

The Thermal HP ratings shown in the table below are based on an ambient temperature of 68°F, continuous operation, and fan cooled motors, as well as with the standard ISO VG220 factory filled lubricant. If using a different lubricant, please contact Application Engineering. Shaded values indicate that the unit is thermally limited.

Ratio	1750 RPM								3450 RPM							
	Output Speed	Rated Power	Mounting Position						Output Speed	Rated Power	Mounting Position					
			A1	A2	A3	A4	A5, A6	A1			A2	A3	A4	A5, A6		
RPM	HP	HP	HP	HP	HP	HP	RPM	HP	HP	HP	HP	HP	HP			
6.86	255.2	133.21	140.7	115.5	138.4	119.4	152.3	503.2	199.92	0.0	0.0	0.0	0.0	0.0		
9.12	191.8	115.99	164.1	142.6	161.3	151.9	170.8	378.2	174.06	0.0	0.0	0.0	0.0	15.8		
10.56	165.7	107.48	175.3	163.5	177.0	169.1	182.3	326.6	161.31	41.4	0.0	47.9	10.4	81.3		
12.47	140.3	98.14	170.0	162.1	171.3	166.5	175.1	276.6	147.43	83.6	27.0	88.9	60.5	114.2		
13.92	125.7	89.76	167.4	161.8	168.5	165.0	171.2	247.8	138.63	106.7	62.3	110.7	90.2	130.3		
16.27	107.6	78.94	160.7	157.7	162.1	159.6	163.8	212.0	126.76	123.8	99.5	133.0	117.3	143.6		
18.65	93.8	70.38	152.2	150.2	153.2	151.7	154.4	184.9	116.96	130.6	112.7	135.9	126.3	143.9		
21.57	81.1	62.20	141.8	140.4	142.5	141.5	143.3	160.0	107.16	131.1	119.1	134.3	128.8	140.0		
22.39	78.2	60.26	146.6	145.4	147.2	146.2	147.8	154.1	104.76	139.4	129.7	142.4	137.4	147.1		
23.96	73.0	51.99	123.7	121.3	123.5	122.9	121.8	144.0	78.02	109.8	91.9	106.0	105.4	94.5		
24.77	70.7	55.23	138.7	137.8	139.3	138.6	139.6	139.3	98.42	136.4	128.9	138.2	134.9	141.9		
27.66	63.3	46.84	121.2	119.5	121.1	120.6	119.6	124.7	70.30	111.7	98.3	109.1	108.6	100.1		
32.50	53.9	41.68	118.0	117.1	117.9	117.6	116.8	106.2	62.56	114.3	106.6	113.1	112.7	107.4		
36.83	47.5	38.04	110.8	110.3	110.9	110.7	110.1	93.7	57.17	110.1	104.4	109.1	109.1	105.1		
43.21	40.5	32.42	101.9	101.6	102.1	101.9	101.7	79.8	50.97	103.9	99.9	103.0	103.3	100.4		
47.14	37.1	29.72	98.5	98.1	98.5	98.5	98.1	73.2	47.89	101.7	98.5	100.7	101.2	99.1		
51.43	34.0	27.24	94.3	93.9	94.3	94.1	94.0	67.1	45.01	98.2	95.5	97.2	97.7	95.8		
55.50	31.5	25.24	90.1	89.8	90.0	90.1	89.8	62.2	42.63	94.4	92.2	93.5	94.2	92.4		
62.03	28.2	22.59	84.8	84.6	84.7	84.7	84.6	55.6	39.39	89.8	88.0	89.0	89.6	88.4		
66.44	26.3	21.08	80.8	80.7	80.8	80.8	80.7	51.9	37.50	85.9	84.5	85.2	85.9	84.8		
71.45	24.5	19.61	77.0	76.7	76.9	76.9	76.7	48.3	33.43	82.4	81.0	81.4	82.1	81.4		
77.17	22.7	18.15	73.2	74.4	73.1	73.2	74.4	44.7	31.23	78.6	77.6	78.0	78.6	77.9		

MSM Thermal Factors	
Ambient Temp (Deg. F)	Thermal Factor
0	1.89
20	1.69
40	1.30
60	1.09
68	1.00
80	0.87
100	0.68
120	0.47

Rated power as shown on the table above is for the largest available motor frame for a unit size and ratio. When using the factors in the table, compare result with the actual ratio and motor frame used.

Example: MSM 128, 10.56:1, 3450 RPM input speed, 250TC motor frame at 20 degree F ambient, A1 mounting position:

According to the table above, this unit is capable of 41.4 HP Thermally at 68 degree F. To convert this to the capability at 20 degrees F, multiply the rating by the factor in the Thermal Factors table (1.69). Actual Thermal Rating is 41.4*1.69 = 69.966 HP. The mechanical rating for the MSM 128, 10.56:1, 250TC frame is 89.63 HP. This unit is now thermally limited to 69.966 HP.

NOMENCLATURE PAGE MSM-4	MOUNTING POSITIONS PAGE MSM-10	SELECTION GEARMOTOR PAGE MSM-62	WEIGHTS PAGE MSM-250
----------------------------	-----------------------------------	------------------------------------	-------------------------

THERMAL RATINGS



THERMAL RATINGS - MSM 148

The Thermal HP ratings shown in the table below are based on an ambient temperature of 68°F, continuous operation, and fan cooled motors, as well as with the standard ISO VG220 factory filled lubricant. If using a different lubricant, please contact Application Engineering. Shaded values indicate that the unit is thermally limited.

Ratio	1750 RPM							3450 RPM						
	Output Speed RPM	Rated Power HP	Mounting Position					Output Speed RPM	Rated Power HP	Mounting Position				
			A1 HP	A2 HP	A3 HP	A4 HP	A5, A6 HP			A1 HP	A2 HP	A3 HP	A4 HP	A5, A6 HP
7.54	232.0	158.78	189.6	159.9	200.8	164.4	216.3	457.3	269.08	0.0	0.0	0.0	0.0	0.0
9.86	177.5	135.62	218.8	194.3	223.1	205.0	233.6	350.0	233.86	0.0	0.0	0.0	0.0	42.4
11.61	150.7	118.96	228.1	214.3	233.2	221.0	239.1	297.2	212.55	61.0	0.0	91.0	22.5	131.1
13.32	131.4	106.60	223.0	213.7	227.4	218.5	231.1	259.1	195.15	111.2	41.3	136.5	83.7	167.8
14.68	119.2	100.04	220.2	213.4	223.5	217.8	227.8	235.1	183.16	141.9	88.0	163.5	123.0	186.4
17.35	100.8	91.16	207.6	204.7	210.2	206.4	213.0	198.8	163.28	169.7	137.8	185.7	160.5	198.8
19.78	88.5	81.47	196.1	192.9	197.3	194.5	198.8	174.4	148.67	176.4	154.3	186.9	171.3	196.9
22.74	76.9	72.24	181.9	180.9	182.7	181.1	183.6	151.7	133.10	176.4	161.6	182.5	173.3	189.4
26.00	67.3	64.28	176.1	175.4	177.0	176.0	177.4	132.7	118.50	181.5	172.4	185.3	180.0	189.9
26.51	66.0	74.17	166.4	163.2	166.4	165.4	163.0	130.1	113.66	153.1	149.1	150.9	147.9	130.7
30.39	57.6	64.69	157.1	155.2	157.0	156.8	154.9	113.5	111.96	152.9	135.3	150.9	149.0	136.6
35.14	49.8	55.95	147.0	145.3	147.0	146.4	145.3	98.2	92.52	148.4	136.6	147.3	146.1	137.1
36.47	48.0	53.91	150.3	149.1	150.2	150.1	149.1	94.6	100.03	154.1	144.9	153.6	152.5	145.4
40.36	43.4	48.72	142.8	141.8	142.7	142.6	141.7	85.5	87.52	149.3	142.0	148.4	147.9	142.4
47.23	37.1	41.63	131.0	130.3	131.0	130.6	130.3	73.0	82.06	140.1	135.5	139.2	139.2	135.5
51.15	34.2	38.44	126.4	126.1	126.4	126.4	125.9	67.4	75.16	136.9	133.0	136.1	136.1	133.4
57.09	30.7	34.44	118.7	118.3	118.7	118.7	118.3	60.4	67.89	129.8	127.0	129.1	129.4	127.0
60.53	28.9	32.48	114.6	114.3	114.5	114.5	114.3	57.0	64.04	126.1	123.5	125.1	125.8	123.8
68.61	25.5	28.42	106.2	107.8	106.1	106.1	107.8	50.3	56.49	118.1	116.2	117.2	117.5	116.7
73.42	23.8	26.78	101.0	100.9	101.0	101.0	100.9	47.0	52.80	113.1	111.2	112.0	112.6	111.5
77.21	22.7	19.21	98.0	97.9	98.0	98.0	97.9	44.7	32.63	109.7	108.1	109.2	109.7	108.6
83.32	21.0	17.98	93.1	92.9	93.0	93.0	93.0	41.4	30.48	104.8	103.4	104.1	104.5	103.6

MSM Thermal Factors	
Ambient Temp (Deg. F)	Thermal Factor
0	1.89
20	1.69
40	1.30
60	1.09
68	1.00
80	0.87
100	0.68
120	0.47

Rated power as shown on the table above is for the largest available motor frame for a unit size and ratio. When using the factors in the table, compare result with the actual ratio and motor frame used.

Example: MSM 148, 14.68:1, 3450 RPM input speed, 280TC motor frame at 60 degree F ambient, A3 mounting position:

According to the table above, this unit is capable of 163.5 HP Thermally at 68 degree F. To convert this to the capability at 60 degrees F, multiply the rating by the factor in the Thermal Factors table (1.09). Actual Thermal Rating is 163.5*1.09 = 178.215 HP. The mechanical rating for the MSM 148, 14.68:1, 280TC frame is 170.81 HP. This unit is not thermally limited.

NOMENCLATURE PAGE MSM-4	MOUNTING POSITIONS PAGE MSM-10	SELECTION GEARMOTOR PAGE MSM-62	WEIGHTS PAGE MSM-250
----------------------------	-----------------------------------	------------------------------------	-------------------------

THERMAL RATINGS



THERMAL RATINGS - MSM 168

The Thermal HP ratings shown in the table below are based on an ambient temperature of 68°F, continuous operation, and fan cooled motors, as well as with the standard ISO VG220 factory filled lubricant. If using a different lubricant, please contact Application Engineering. Shaded values indicate that the unit is thermally limited.

Ratio	1750 RPM							3450 RPM						
	Output Speed	Rated Power	Mounting Position					Output Speed	Rated Power	Mounting Position				
			A1	A2	A3	A4	A5, A6			A1	A2	A3	A4	A5, A6
RPM	HP	HP	HP	HP	HP	HP	RPM	HP	HP	HP	HP	HP	HP	
7.71	226.8	158.78	216.3	191.3	241.7	193.4	254.3	447.2	297.84	0.0	0.0	0.0	0.0	0.0
9.71	180.2	145.07	265.7	225.8	290.2	237.9	304.5	355.3	265.63	0.0	0.0	0.0	0.0	0.0
12.47	140.4	126.00	294.9	269.2	306.0	281.4	315.9	276.7	230.69	0.0	0.0	44.5	0.0	104.7
14.51	120.6	114.15	302.8	288.6	312.4	295.6	318.1	237.8	210.05	102.3	12.7	167.8	58.4	206.1
16.53	105.8	105.33	295.8	286.0	303.1	291.7	307.3	208.7	192.83	167.0	87.3	215.7	139.3	245.4
18.13	96.5	98.91	291.2	284.0	296.9	288.5	300.2	190.3	181.08	204.8	144.6	242.5	185.3	265.2
21.85	80.1	86.58	271.8	268.3	275.3	270.5	277.5	157.9	158.50	240.4	208.5	264.0	232.3	276.9
24.28	72.1	80.06	257.7	255.0	260.3	257.0	261.9	142.1	146.53	245.3	221.2	261.9	239.7	271.9
27.50	63.6	72.73	240.6	238.8	242.4	240.1	243.4	125.4	133.14	243.6	226.9	254.4	240.4	261.7
31.83	55.0	64.77	217.8	217.0	218.4	217.5	218.7	108.4	118.55	241.2	234.7	244.4	241.3	248.1
32.07	54.6	89.21	219.6	215.8	220.1	218.7	217.6	107.6	187.35	212.6	182.5	213.6	207.1	197.6
36.55	47.9	81.21	223.5	204.5	207.4	206.8	205.6	94.4	164.37	209.9	189.7	210.8	206.8	199.4
42.03	41.6	72.51	193.3	191.2	193.3	192.5	192.1	82.1	142.95	203.7	189.1	203.7	201.4	196.0
48.04	36.4	63.43	186.6	185.5	186.7	191.7	185.8	71.8	125.05	202.9	194.2	203.6	202.6	220.6
55.68	31.4	54.74	171.4	170.6	171.5	171.4	170.8	62.0	107.91	190.5	184.7	190.5	189.9	187.6
60.66	28.8	50.24	164.4	164.0	164.8	164.4	164.2	56.9	99.04	185.1	180.4	184.6	184.1	182.5
67.58	25.9	45.10	154.0	153.6	154.3	153.9	153.8	51.1	88.91	175.0	171.7	174.5	174.5	173.1
71.58	24.4	42.57	148.6	148.1	148.6	148.6	148.2	48.2	83.93	169.8	166.7	168.9	169.3	168.0
80.50	21.7	28.78	138.1	137.7	138.1	138.1	137.8	42.9	47.38	159.2	156.8	158.4	158.8	157.6
86.06	20.3	27.18	131.4	131.3	131.4	131.4	131.3	40.1	44.58	152.0	150.1	151.6	152.0	150.9

MSM Thermal Factors	
Ambient Temp (Deg. F)	Thermal Factor
0	1.89
20	1.69
40	1.30
60	1.09
68	1.00
80	0.87
100	0.68
120	0.47

Rated power as shown on the table above is for the largest available motor frame for a unit size and ratio. When using the factors in the table, compare result with the actual ratio and motor frame used.

Example: MSM 168, 7.71:1, 1750 RPM input speed, 360TC motor frame at 80 degree F ambient, A4 mounting position:

According to the table above, this unit is capable of 193.4 HP Thermally at 68 degree F. To convert this to the capability at 80 degrees F, multiply the rating by the factor in the Thermal Factors table (0.87). Actual Thermal Rating is $193.4 \times 0.87 = 168.258$ HP. The mechanical rating for the MSM 168, 7.71:1, 360TC frame is 158.78 HP. This unit is not thermally limited.

NOMENCLATURE PAGE MSM-4	MOUNTING POSITIONS PAGE MSM-10	SELECTION GEARMOTOR PAGE MSM-62	WEIGHTS PAGE MSM-250
----------------------------	-----------------------------------	------------------------------------	-------------------------

WEIGHTS - MSM 38

				Output Configuration			
				Universal Mounting			
				B14		B5	
Unit Size	Input Configuration	Catalog Number		Weight (lbs) (L)	Weight (Kg) (L)	Weight (lbs) (L)	Weight (Kg) (L)
		NEMA	IEC				
38	Clamp Collar	MW382CN56C	MW382CI71D	44	20	48	22
		--	MW382CI80D	49	22	53	24
		MW382CN140TC	MW382CI90D	49	22	53	24
		MW382CN180TC	MW382CI100D	53	24	57	26
		MW383CN56C	MW383CI71D	46	21	50	23
		--	MW383CI80D	52	24	56	25
	3 Pc Coupled	MW383CN140TC	MW383CI90D	52	24	56	25
		MW382LN56C	--	51	23	55	25
		--	MW382LI80D	66	30	70	32
		MW382LN140TC	MW382LI90D	66	30	70	32
		--	MW382LI100D	76	34	80	36
		MW383LN56C	--	52	24	56	25
	Separate Group (Inch / Metric)	--	MW383LI80D	68	31	72	33
		MW383LN140TC	MW383LI90D	68	31	72	33
		MW382SI71	MW382SM71	51	23	55	25
		MW382SI80	MW382SM80	59	27	63	29
		MW382SI90	MW382SM90	59	27	63	29
		MW382SI100	MW382SM100	66	30	70	32
	Integral Gearmotor (HP)	MW383SI71	MW383SM71	54	24	58	26
		MW383SI80	MW383SM80	61	28	65	29
		MW383SI90	MW383SM90	61	28	65	29
		MW382GH71C4	---	53	24	57	26
		MW382GH71D4		53	24	57	26
		MW382GH71E4		57	26	61	28
		MW382GH80F4		57	26	61	28
		MW382GH80G4		60	27	64	29
		MW382GH90H4		65	29	69	31
		MW382GH90I4		70	32	74	34
		MW382GH100J4		77	35	81	37
		MW383GH71C4		55	25	59	27
MW383GH71D4		55		25	59	27	
MW383GH71E4		59		27	63	29	
MW383GH80F4	59	27		63	29		
MW383GH80G4	63	29		67	30		
MW383GH90H4	67	30		71	32		
MW383GH90I4	72	33	76	34			

* Weights are Approximate
(L) - See Footnotes page on the inside back cover

NOMENCLATURE PAGE MSM-4	SELECTION GEARMOTOR PAGE MSM-62	DIMENSIONS PAGE MSM-98	THERMAL RATINGS PAGE MSM-242
----------------------------	------------------------------------	---------------------------	---------------------------------

WEIGHTS - MSM 48

Unit Size	Input Configuration	Catalog Number		Output Configuration					
				Universal Mounting					
				B14		B5			
		NEMA	IEC	Weight (lbs) (L)	Weight (Kg) (L)	Weight (lbs) (L)	Weight (Kg) (L)		
48	Clamp Collar	MW482CN56C	MW482CI71D	68	31	74	34		
			MW482CI80D	73	33	79	36		
		MW482CN140TC	MW482CI90D	73	33	79	36		
		MW482CN180TC	MW482CI100D	78	35	84	38		
		--	MW482CI112D	80	36	86	39		
		MW483CN56C	MW483CI71D	70	32	76	34		
		--	MW483CI80D	75	34	81	37		
		MW483CN140TC	MW483CI90D	75	34	81	37		
		MW483CN180TC	MW483CI100D	80	36	86	39		
			MW482LN56C	--		74	34	80	36
			--	MW482LI80D		90	41	96	44
			MW482LN140TC	MW482LI90D		90	41	96	44
			MW482LN180TC	MW482LI100D		101	46	107	49
			--	MW482LI112D		103	47	109	49
		MW483LN56C	--		75	34	81	37	
		--	MW483LI80D		92	42	98	44	
		MW483LN140TC	MW483LI90D		92	42	98	44	
		MW483LN180TC	MW483LI100D		103	47	109	49	
	Separate Group (Inch / Metric)		MW482SI71	MW482SM71	73	33	79	36	
			MW482SI80	MW482SM80	80	36	86	39	
			MW482SI90	MW482SM90	80	36	86	39	
			MW482SI100	MW482SM100	89	40	95	43	
			MW482SI112	MW482SM112	92	42	98	44	
			MW483SI71	MW483SM71	75	34	81	37	
			MW483SI80	MW483SM80	82	37	88	40	
			MW483SI90	MW483SM90	82	37	88	40	
			MW483SI100	MW483SM100	91	41	97	44	
	Integral Gearmotor (HP)		MW482GH71C4		77	35	83	38	
			MW482GH71D4		77	35	83	38	
			MW482GH71E4		81	37	87	39	
			MW482GH80F4		81	37	87	39	
			MW482GH80G4		84	38	90	41	
			MW482GH90H4		89	40	95	43	
			MW482GH90I4		94	43	100	45	
			MW482GH100J4		101	46	107	49	
			MW482GH112L4	--	123	56	129	59	
			MW483GH71C4		79	36	85	39	
			MW483GH71D4		79	36	85	39	
			MW483GH71E4		83	38	89	40	
			MW483GH80F4		83	38	89	40	
			MW483GH80G4		86	39	92	42	
			MW483GH90H4		91	41	97	44	
		MW483GH90I4		96	44	102	46		
		MW483GH100J4		103	47	109	49		

* Weights are Approximate

(L) - See Footnotes page on the inside back cover

NOMENCLATURE PAGE MSM-4	SELECTION GEARMOTOR PAGE MSM-62	DIMENSIONS PAGE MSM-114	THERMAL RATINGS PAGE MSM-242
----------------------------	------------------------------------	----------------------------	---------------------------------

WEIGHTS - MSM 68

				Output Configuration			
				Universal Mounting			
				B14		B5	
Unit Size	Input Configuration	Catalog Number		Weight (lbs) (L)	Weight (Kg) (L)	Weight (lbs) (L)	Weight (Kg) (L)
		NEMA	IEC				
68	Clamp Collar	MW682CN56C	MW682CI71D	105	48	115	52
		--	MW682CI80D	111	50	121	55
		MW682CN140TC	MW682CI90D	111	50	121	55
		MW682CN180TC	MW682CI100D	115	52	125	57
		--	MW682CI112D	118	54	128	58
		MW682CN210TC	MW682CI132D	134	61	144	65
		MW683CN56C	MW683CI71D	110	50	120	54
		--	MW683CI80D	116	53	126	57
		MW683CN140TC	MW683CI90D	116	53	126	57
		MW683CN180TC	MW683CI100D	120	54	130	59
	3 Pc Coupled	MW682LN56C	--	110	50	120	54
		--	MW682LI80D	127	58	137	62
		MW682LN140TC	MW682LI90D	127	58	137	62
		MW682LN180TC	MW682LI100D	138	63	148	67
		--	MW682LI112D	142	64	152	69
		MW682LN210TC	MW682LI132D	164	74	174	79
		MW683LN56C	--	112	51	122	55
		--	MW683LI80D	132	60	142	64
	MW683LN140TC	MW683LI90D	132	60	142	64	
	MW683LN180TC	MW683LI100D	143	65	153	69	
	Separate Group (Inch / Metric)	MW682SI71	MW682SM71	110	50	120	54
		MW682SI80	MW682SM80	118	54	128	58
		MW682SI90	MW682SM90	118	54	128	58
		MW682SI100	MW682SM100	127	58	137	62
		MW682SI112	MW682SM112	130	59	140	63
		MW682SI132	MW682SM132	155	70	165	75
		MW683SI71	MW683SM71	115	52	125	57
		MW683SI80	MW683SM80	123	56	133	60
	MW683SI90	MW683SM90	123	56	133	60	
	MW683SI100	MW683SM100	132	60	142	64	
	Integral Gearmotor (HP)	MW682GH71C4	--	114	52	124	56
		MW682GH71D4		114	52	124	56
		MW682GH71E4		118	54	128	58
		MW682GH80F4		118	54	128	58
		MW682GH80G4		122	55	132	60
		MW682GH90H4		126	57	136	62
		MW682GH90I4		132	60	142	64
		MW682GH100J4		139	63	149	68
		MW682GH112L4		161	73	171	78
		MW682GH132M4		230	104	240	109
MW682GH132N4		261		118	271	123	
MW683GH71C4		120		54	130	59	

* Weights are Approximate

(L) - See Footnotes page on the inside back cover

NOMENCLATURE PAGE MSM-4	SELECTION GEARMOTOR PAGE MSM-62	DIMENSIONS PAGE MSM-130	THERMAL RATINGS PAGE MSM-242
----------------------------	------------------------------------	----------------------------	---------------------------------

WEIGHTS



WEIGHTS - MSM 68 (Continued)

Unit Size	Input Configuration	Catalog Number		Output Configuration			
				Universal Mounting			
				B14		B5	
		NEMA	IEC	Weight (lbs) (L)	Weight (Kg) (L)	Weight (lbs) (L)	Weight (Kg) (L)
68	Integral Gearmotor (HP) (Continued)	MW683GH71D4	--	120	54	130	59
		MW683GH71E4		124	56	134	61
		MW683GH80F4		124	56	134	61
		MW683GH80G4		127	58	137	62
		MW683GH90H4		131	59	141	64
		MW683GH90I4		137	62	147	67
		MW683GH100J4		144	65	154	70

* Weights are Approximate
(L) - See Footnotes page on the inside back cover

QUANTIS

QUANTIS GOLD

ILH

RHB

MSM

NOMENCLATURE PAGE MSM-4	SELECTION GEARMOTOR PAGE MSM-62	DIMENSIONS PAGE MSM-130	THERMAL RATINGS PAGE MSM-242
----------------------------	------------------------------------	----------------------------	---------------------------------

WEIGHTS - MSM 88

				Output Configuration			
				Universal Mounting			
				B14		B5	
Unit Size	Input Configuration	Catalog Number		Weight (lbs) (L)	Weight (Kg) (L)	Weight (lbs) (L)	Weight (Kg) (L)
		NEMA	IEC				
88	Clamp Collar	MW882CN140TC	MW882CI90D	207	94	222	101
		MW882CN180TC	MW882CI100D	209	95	224	102
		--	MW882CI112D	213	97	228	103
		MW882CN210TC	MW882CI132D	226	102	241	109
		MW882CN250TC	MW882CI160D	248	112	263	119
		MW883CN56C	MW883CI71D	204	93	219	99
		--	MW883CI80D	210	95	225	102
		MW883CN140TC	MW883CI90D	210	95	225	102
		MW883CN180TC	MW883CI100D	214	97	229	104
		--	MW883CI112D	217	98	232	105
	MW883CN210TC	MW883CI132D	232	105	247	112	
	3 Pc Coupled	MW882LN140TC	MW882LI90D	224	102	239	108
		MW882LN180TC	MW882LI100D	232	105	247	112
		--	MW882LI112D	237	107	252	114
		MW882LN210TC	MW882LI132D	255	116	270	122
		MW882LN250TC	MW882LI160D	302	137	317	144
		MW883LN56C	--	201	91	216	98
		--	MW883LI80D	226	102	241	109
		MW883LN140TC	MW883LI90D	226	102	241	109
		MW883LN180TC	MW883LI100D	237	107	252	114
		--	MW883LI112D	240	109	255	116
	MW883LN210TC	MW883LI132D	261	118	276	125	
	Separate Group (Inch / Metric)	MW882SI90	MW882SM90	214	97	229	104
		MW882SI100	MW882SM100	220	100	235	107
		MW882SI112	MW882SM112	225	102	240	109
		MW882SI132	MW882SM132	246	112	261	118
		MW882SI160	MW882SM160	269	122	284	129
		MW883SI71	MW883SM71	209	95	224	102
		MW883SI80	MW883SM80	216	98	231	105
		MW883SI90	MW883SM90	217	98	232	105
		MW883SI100	MW883SM100	225	102	240	109
		MW883SI112	MW883SM112	228	103	243	110
	MW883SI132	MW883SM132	252	114	267	121	
	Integral Gearmotor (HP)	MW882GH90H4	--	223	101	238	108
		MW882GH90I4		228	103	243	110
		MW882GH100J4		232	105	247	112
MW882GH112L4		256		116	271	123	
MW882GH132M4		322		146	337	153	
MW882GH132N4		353		160	368	167	
MW883GH71C4		213	97	228	103		

* Weights are Approximate

(L) - See Footnotes page on the inside back cover

NOMENCLATURE PAGE MSM-4	SELECTION GEARMOTOR PAGE MSM-62	DIMENSIONS PAGE MSM-146	THERMAL RATINGS PAGE MSM-242
----------------------------	------------------------------------	----------------------------	---------------------------------

WEIGHTS - MSM 88 (Continued)

				Output Configuration			
				Universal Mounting			
				B14		B5	
Unit Size	Input Configuration	Catalog Number		Weight (lbs) (L)	Weight (Kg) (L)	Weight (lbs) (L)	Weight (Kg) (L)
		NEMA	IEC				
88	Integral Gearmotor (HP) (Continued)	MW883GH71D4	--	213	97	228	103
		MW883GH71E4		217	98	232	105
		MW883GH80F4		217	98	232	105
		MW883GH80G4		221	100	236	107
		MW883GH90H4		225	102	240	109
		MW883GH90I4		231	105	246	112
		MW883GH100J4		237	107	252	114
		MW883GH112L4		260	118	275	125
		MW883GH132M4		328	149	343	156

* Weights are Approximate

(L) - See Footnotes page on the inside back cover

NOMENCLATURE PAGE MSM-4	SELECTION GEARMOTOR PAGE MSM-62	DIMENSIONS PAGE MSM-146	THERMAL RATINGS PAGE MSM-242
----------------------------	------------------------------------	----------------------------	---------------------------------

WEIGHTS - MSM 108

Unit Size	Input Configuration	Catalog Number		Output Configuration			
				Universal Mounting			
		NEMA	IEC	B14		B5	
				Weight (lbs) (L)	Weight (Kg) (L)	Weight (lbs) (L)	Weight (Kg) (L)
108	Clamp Collar	MW1082CN140TC	MW1082CI90D	290	132	312	141
		MW1082CN180TC	MW1082CI100D	293	133	315	143
		--	MW1082CI112D	306	139	328	149
		MW1082CN210TC	MW1082CI132D	317	144	339	154
		MW1082CN250TC	MW1082CI160D	339	154	361	164
		MW1082CN280TC	MW1082CI180D	359	163	381	173
		--	MW1082CI200D	361	164	383	174
		--	MW1083CI80D	307	139	329	149
		MW1083CN140TC	MW1083CI90D	306	139	328	149
		MW1083CN180TC	MW1083CI100D	311	141	333	151
		--	MW1083CI112D	314	142	336	152
		MW1083CN210TC	MW1083CI132D	329	149	351	159
	MW1083CN250TC	MW1083CI160D	355	161	377	171	
	3 Pc Coupled	MW1082LN140TC	MW1082LI90D	307	139	329	149
		MW1082LN180TC	MW1082LI100D	315	143	337	153
		--	MW1082LI112D	329	149	351	159
		MW1082LN210TC	MW1082LI132D	346	157	368	167
		MW1082LN250TC	MW1082LI160D	392	178	414	188
		MW1082LN280TC	MW1082LI180D	442	200	464	210
		--	MW1082LI200D	455	206	477	216
		--	MW1083LI80D	323	146	345	156
		MW1083LN140TC	MW1083LI90D	323	146	345	156
		MW1083LN180TC	MW1083LI100D	334	151	356	161
		--	MW1083LI112D	338	153	360	163
		MW1083LN210TC	MW1083LI132D	358	162	380	172
	MW1083LN250TC	MW1083LI160D	409	185	431	195	
	Separate Group (Inch / Metric)	MW1082SI90	MW1082SM90	308	140	330	150
		MW1082SI100	MW1082SM100	314	142	336	152
		MW1082SI112	MW1082SM112	317	144	339	154
		MW1082SI132	MW1082SM132	337	153	359	163
		MW1082SI160	MW1082SM160	359	163	381	173
		MW1082SI180	MW1082SM180	385	175	407	185
		MW1083SI80	MW1083SM80	313	142	335	152
		MW1083SI90	MW1083SM90	313	142	335	152
		MW1083SI100	MW1083SM100	322	146	344	156
		MW1083SI112	MW1083SM112	326	148	348	158
MW1083SI132		MW1083SM132	349	158	371	168	
MW1083SI160		MW1083SM160	375	170	397	180	

* Weights are Approximate

(L) - See Footnotes page on the inside back cover

NOMENCLATURE PAGE MSM-4	SELECTION GEARMOTOR PAGE MSM-62	DIMENSIONS PAGE MSM-162	THERMAL RATINGS PAGE MSM-242
----------------------------	------------------------------------	----------------------------	---------------------------------

WEIGHTS - MSM 108 (Continued)

				Output Configuration			
				Universal Mounting			
				B14		B5	
Unit Size	Input Configuration	Catalog Number		Weight (lbs) (L)	Weight (Kg) (L)	Weight (lbs) (L)	Weight (Kg) (L)
		NEMA	IEC				
108	Integral Gearmotor (HP)	MW1082GH90H4	--	306	139	328	149
		MW1082GH190I4		312	141	334	151
		MW1082GH100J4		323	146	345	156
		MW1082GH112L4		349	158	371	168
		MW1082GH132M4		413	187	435	197
		MW1082GH132N4		443	201	465	211

* Weights are Approximate
 (L) - See Footnotes page on the inside back cover

QUANTIS

QUANTIS GOLD

ILH

RHB

MSM

NOMENCLATURE PAGE MSM-4	SELECTION GEARMOTOR PAGE MSM-62	DIMENSIONS PAGE MSM-162	THERMAL RATINGS PAGE MSM-242
----------------------------	------------------------------------	----------------------------	---------------------------------

WEIGHTS - MSM 128

Unit Size	Input Configuration	Catalog Number		Output Configuration			
				Universal Mounting			
				B14		B5	
		NEMA	IEC	Weight (lbs) (L)	Weight (Kg) (L)	Weight (lbs) (L)	Weight (Kg) (L)
128	Clamp Collar	MW1282CN180TC	MW1282CI100D	489	222	527	239
		--	MW1282CI112D	491	223	529	240
		MW1282CN210TC	MW1282CI132D	511	232	549	249
		MW1282CN250TC	MW1282CI160D	543	246	581	263
		MW1282CN280TC	MW1282CI180D	551	250	589	267
		--	MW1282CI200D	554	251	592	268
		MW1282CN320TC	--	588	267	626	284
		MW1283CN140TC	MW1283CI90D	511	232	549	249
		MW1283CN180TC	MW1283CI100D	515	234	553	251
		--	MW1283CI112D	518	235	556	252
		MW1283CN210TC	MW1283CI132D	535	243	573	260
		MW1283CN250TC	MW1283CI160D	559	254	597	271
		MW1283CN280TC	MW1283CI180D	578	262	616	279
		--	MW1283CI200D	581	263	619	281
	3 Pc Coupled	MW1282LN180TC	MW1282LI100D	512	232	550	249
		--	MW1282LI112D	515	234	539	244
		MW1282LN210TC	MW1282LI132D	540	245	578	262
		MW1282LN250TC	MW1282LI160D	597	271	635	288
		MW1282LN280TC	MW1282LI180D	634	288	672	305
		--	MW1282LI200D	648	294	686	311
		MW1282LN320TC	MW1282LI225D	753	341	791	359
		MW1283LN140TC	MW1283LI90D	528	239	566	257
		MW1283LN180TC	MW1283LI100D	538	244	576	261
		--	MW1283LI112D	542	246	580	263
		MW1283LN210TC	MW1283LI132D	564	256	602	273
		MW1283LN250TC	MW1283LI160D	613	278	651	295
		MW1283LN280TC	MW1283LI180D	662	300	700	317
		--	MW1283LI200D	675	306	713	323
	Separate Group (Inch / Metric)	MW1282SI100	MW1282SM100	512	232	550	249
		MW1282SI112	MW1282SM112	515	234	553	251
		MW1282SI132	MW1282SM132	531	241	569	258
		MW1282SI160	MW1282SM160	618	280	656	298
		MW1282SI180	MW1282SM180	632	287	670	304
		MW1282SI225	MW1282SM225	695	315	733	332
		MW1283SI90	MW1283SM90	518	235	556	252
		MW1283SI100	MW1283SM100	527	239	565	256
		MW1283SI112	MW1283SM112	530	240	568	258
		MW1283SI132	MW1283SM132	609	276	647	293
		MW1283SI160	MW1283SM160	633	287	671	304
		MW1283SI180	MW1283SM180	658	298	696	316

* Weights are Approximate
(L) - See Footnotes page on the inside back cover

NOMENCLATURE PAGE MSM-4	SELECTION GEARMOTOR PAGE MSM-62	DIMENSIONS PAGE MSM-178	THERMAL RATINGS PAGE MSM-242
----------------------------	------------------------------------	----------------------------	---------------------------------

WEIGHTS



WEIGHTS - MSM 128 (Continued)

Unit Size	Input Configuration	Catalog Number		Output Configuration			
				Universal Mounting			
				B14		B5	
		NEMA	IEC	Weight (lbs) (L)	Weight (Kg) (L)	Weight (lbs) (L)	Weight (Kg) (L)
128	Integral Gearmotor (HP)	MW1282GH100J4	--	518	235	556	252
		MW1282GH112L4		534	242	572	259
		MW1282GH132M4		607	275	645	293
		MW1282GH132N4		638	289	676	307

* Weights are Approximate
(L) - See Footnotes page on the inside back cover

QUANTIS

QUANTIS GOLD

ILH

RHB

MSM

NOMENCLATURE PAGE MSM-4	SELECTION GEARMOTOR PAGE MSM-62	DIMENSIONS PAGE MSM-178	THERMAL RATINGS PAGE MSM-242
----------------------------	------------------------------------	----------------------------	---------------------------------

WEIGHTS - MSM 148

				Output Configuration			
				Universal Mounting			
				B14		B5	
Unit Size	Input Configuration	Catalog Number		Weight (lbs) (L)	Weight (Kg) (L)	Weight (lbs) (L)	Weight (Kg) (L)
		NEMA	IEC				
148	Clamp Collar	MW1482CN210TC	MW1482CI132D	730	331	772	350
		MW1482CN250TC	MW1482CI160D	751	341	793	360
		MW1482CN280TC	MW1482CI180D	769	349	811	368
		--	MW1482CI200D	771	350	813	369
		MW1482CN320TC	--	799	362	841	381
		MW1482CN360TC	--	849	385	891	404
		MW1483CN180TC	MW1483CI100D	742	337	784	356
		--	MW1483CI112D	744	337	786	356
		MW1483CN210TC	MW1483CI132D	759	344	801	363
		MW1483CN250TC	MW1483CI160D	782	355	824	374
		MW1483CN280TC	MW1483CI180D	800	363	842	382
		--	MW1483CI200D	803	364	845	383
	MW1483CN320TC	--	833	378	875	397	
	3 Pc Coupled	MW1482LN210TC	MW1482LI132D	759	344	801	363
		MW1482LN250TC	MW1482LI160D	804	365	846	384
		MW1482LN280TC	MW1482LI180D	852	386	894	405
		--	MW1482LI200D	865	392	907	411
		MW1482LN320TC	MW1482LI225D	964	437	1006	456
		MW1482LN360TC	MW1482LI250D	1042	473	1084	492
		MW1483LN180TC	MW1483LI100D	765	347	807	366
		--	MW1483LI112D	768	348	810	367
		MW1483LN210TC	MW1483LI132D	788	357	830	376
		MW1483LN250TC	MW1483LI160D	836	379	878	398
		MW1483LN280TC	MW1483LI180D	884	401	926	420
		--	MW1483LI200D	897	407	939	426
	MW1483LN320TC	MW1483LI225D	998	453	1040	472	
	Separate Group (Inch / Metric)	MW1482SI132	MW1482SM132	750	340	792	359
		MW1482SI160	MW1482SM160	771	350	813	369
		MW1482SI180	MW1482SM180	795	361	837	380
		MW1482SI225	MW1482SM225	851	386	893	405
		MW1482SI250	MW1482SM250	869	394	911	413
		MW1483SI100	MW1483SM100	754	342	796	361
		MW1483SI112	MW1483SM112	756	343	798	362
		MW1483SI132	MW1483SM132	779	353	821	372
		MW1483SI160	MW1483SM160	802	364	844	383
		MW1483SI180	MW1483SM180	826	375	868	394
	MW1483SI225	MW1483SM225	885	401	927	420	
	Integral Gearmotor (HP)	MW1482GH132M4		826	375	868	394
		MW1482GH132N4	--	857	389	899	408

* Weights are Approximate
(L) - See Footnotes page on the inside back cover

NOMENCLATURE PAGE MSM-4	SELECTION GEARMOTOR PAGE MSM-62	DIMENSIONS PAGE MSM-194	THERMAL RATINGS PAGE MSM-242
----------------------------	------------------------------------	----------------------------	---------------------------------

WEIGHTS - MSM 168

				Output Configuration			
				Universal Mounting			
				B14		B5	
Unit Size	Input Configuration	Catalog Number		Weight (lbs) (L)	Weight (Kg) (L)	Weight (lbs) (L)	Weight (Kg) (L)
		NEMA	IEC				
168	Clamp Collar	MW1682CN210TC	MW1682CI132D	1181	536	1252	568
		MW1682CN250TC	MW1682CI160D	1201	545	1272	577
		MW1682CN280TC	MW1682CI180D	1218	552	1289	585
		--	MW1682CI200D	1221	554	1292	586
		MW1682CN320TC	--	1248	566	1319	598
		MW1682CN360TC	--	1297	588	1368	620
		MW1683CN210TC	MW1683CI132D	1215	551	1286	583
		MW1683CN250TC	MW1683CI160D	1237	561	1308	593
		MW1683CN280TC	MW1683CI180D	1255	569	1326	601
		--	MW1683CI200D	1258	571	1329	603
		MW1683CN320TC	--	1287	584	1358	616
		MW1683CN360TC	--	1338	607	1409	639
	3 Pc Coupled	MW1682LN210TC	MW1682LI132D	1210	549	1281	581
		MW1682LN250TC	MW1682LI160D	1254	569	1325	601
		MW1682LN280TC	MW1682LI180D	1302	590	1373	623
		--	MW1682LI200D	1315	596	1386	629
		MW1682LN320TC	MW1682LI225D	1413	641	1484	673
		MW1682LN360TC	MW1682LI250D	1491	676	1562	708
		MW1683LN210TC	MW1683LI132D	1244	564	1315	596
		MW1683LN250TC	MW1683LI160D	1291	585	1362	618
		MW1683LN280TC	MW1683LI180D	1339	607	1410	639
		MW1683LI200D	--	1352	613	1423	645
		MW1683LN320TC	MW1683LI225D	1452	659	1523	691
		MW1683LN360TC	MW1683LI250D	1532	695	1603	727
	Separate Group (Inch / Metric)	MW1682SI132	MW1682SM132	1201	545	1272	577
		MW1682SI160	MW1682SM160	1221	554	1292	586
		MW1682SI180	MW1682SM180	1245	565	1316	597
		MW1682SI225	MW1682SM225	1300	590	1371	622
		MW1682SI250	MW1682SM250	1317	597	1388	629
		MW1683SI132	MW1683SM132	1235	560	1306	592
		MW1683SI160	MW1683SM160	1257	570	1328	602
		MW1683SI180	MW1683SM180	1282	581	1353	614
		MW1683SI225	MW1683SM225	1339	607	1410	639
		MW1683SI250	MW1683SM250	1359	616	1430	649
	Integral Gearmotor (HP)	MW1682GH132M4		1277	579	1348	611
		MW1682GH132N4	--	1308	593	1379	625

* Weights are Approximate
(L) - See Footnotes page on the inside back cover

NOMENCLATURE PAGE MSM-4	SELECTION GEARMOTOR PAGE MSM-62	DIMENSIONS PAGE MSM-210	THERMAL RATINGS PAGE MSM-242
----------------------------	------------------------------------	----------------------------	---------------------------------

NOTES

QUANTIS

QUANTIS GOLD

LH

RHB

MSM

QUANTIS

Bolts To Be Used On Mounting Feet

In addition to the bolts below, it is recommended that a lockwasher or other anti-loosening device be used.

QUANTIS ILH

Unit Size	SAE Grade 5 Inch	Grade 8.8 Metric
38	5/16-18 UNC	M8 x 1.25
48	1/2-13 UNC	M12 x 1.75
68	5/8-11 UNC	M16 x 2
88	5/8-11 UNC	M16 x 2
108	3/4-10 UNC	M20 x 2.5
128	7/8-9 UNC	M24 x 3
148	1-1/4-7 UNC	M30 x 3.5
168	1-1/2-6 UNC	M36 x 4

QUANTIS RHB

Unit Size	SAE Grade 5 Inch	Grade 8.8 Metric
38	3/8-16 UNC	M10 x 1.5
48	3/8-16 UNC	M10 x 1.5
68	1/2-13 UNC	M12 x 1.75
88	5/8-11 UNC	M16 x 2
108	7/8-9 UNC	M20 x 2.5
128	7/8-9 UNC	M24 x 3
148	1-1/4-7 UNC	M30 x 3.5
168	1-1/2-6 UNC	M36 x 4

QUANTIS

Bolts and Tightening Torque For B5 Output Flanges (Output Flange to Gearcase)

Product Type	Unit Size	Bolt - 8.8 Property Class	Tightening Torque (Nm)	Tightening Torque (ft-lb)
ILH	38	M8	25	18
ILH	48	M10	50	37
ILH	68	M12	90	66
ILH	88	M16	210	155
ILH	108	M16	210	155
ILH	128	M16	210	155
ILH	148	M16	210	155
ILH	168	M16	210	155
MSM/RHB	38	M8	25	18
MSM/RHB	48	M10	50	37
MSM/RHB	68	M12	90	66
MSM/RHB	88	M12	90	66
MSM/RHB	108	M16	210	155
MSM/RHB	128	M16	210	155
MSM/RHB	148	M20	500	369
MSM/RHB	168	M20	500	369

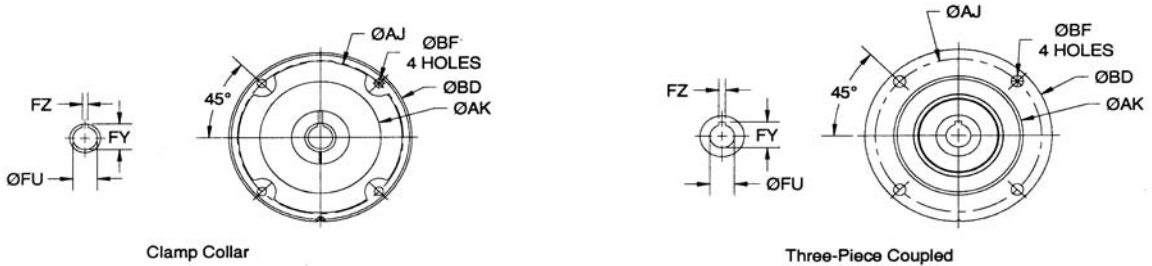
NOTE: Metric course thread is standard for QUANTIS

ASSEMBLY / DISASSEMBLY



QUANTIS

NEMA C-Face Input Flange Details



NEMA Clamp Collar

Inch

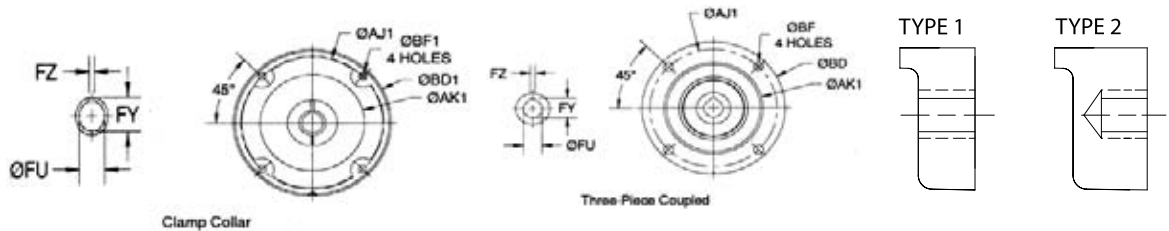
Motor Frame	ϕ AK	tol	ϕ AJ	ϕ BD	ϕ BF	ϕ FU	tol	FY	FZ
56C	4.500	+0.0009 -0.0000	5.870	6.61	0.43	0.625	+0.0007 -0.0000	0.709	0.188
140TC	4.500	+0.0009 -0.0000	5.870	6.61	0.43	0.875	+0.0008 -0.0000	0.964	0.188
180TC	8.500	+0.0011 -0.0000	7.250	8.98	0.53	1.125	+0.0008 -0.0000	1.241	0.250
210TC	8.500	+0.0011 -0.0000	7.250	9.02	0.53	1.375	+0.0010 -0.0000	1.518	0.310
250TC	8.500	+0.0011 -0.0000	7.250	10.23	0.53	1.625	+0.0010 -0.0000	1.796	0.375
280TC	10.500	+0.0013 -0.0000	9.000	11.89	0.53	1.875	+0.0010 -0.0000	2.096	0.500
320TC	12.500	+0.0014 -0.0000	11.000	14.01	0.67	2.125	+0.0016 -0.0004	2.350	0.500
360TC	12.500	+0.0014 -0.0000	11.000	14.01	0.67	2.375	+0.0016 -0.0004	2.651	0.625

NEMA Three-Piece Coupled

Inch

Motor Frame	ϕ AK	tol	ϕ AJ	ϕ BD	ϕ BF	ϕ FU	tol	FY	FZ
56C	4.500	+0.0009 -0.0000	5.870	6.61	0.43	0.625	+0.0007 -0.0000	0.709	0.188
140TC	4.500	+0.0009 -0.0000	5.870	6.61	0.43	0.875	+0.0008 -0.0000	0.964	0.188
180TC	8.500	+0.0011 -0.0000	7.250	8.98	0.53	1.125	+0.0008 -0.0000	1.241	0.250
210TC	8.500	+0.0011 -0.0000	7.250	8.98	0.53	1.375	+0.0010 -0.0000	1.518	0.310
250TC	8.500	+0.0011 -0.0000	7.250	10.12	0.53	1.625	+0.0010 -0.0000	1.796	0.375
280TC	10.500	+0.0013 -0.0000	9.020	11.26	0.53	1.875	+0.0010 -0.0000	2.096	0.500
320TC	12.500	+0.0013 -0.0000	10.980	13.98	0.67	2.125	+0.0012 -0.0000	2.350	0.500
360TC	12.500	+0.0014 -0.0000	10.980	13.98	0.67	2.375	+0.0012 -0.0000	2.651	0.625

QUANTIS IEC D Flange Input Flange Details



IEC Clamp Collar (Requires B5 Flange On Mating Motor)

Motor Frame	φAK1	tol	φAJ1	φBD1	φBF1	Usable Tap Depth	Type	φFU	tol	FY	FZ
71D	4.33	+0.0014 +0.0000	5.12	6.30	M8 x 17*	0.67	2	0.55	+0.0013 +0.0006	0.63	0.20
80D	5.12	+0.0016 +0.0000	6.50	7.87	M10	0.67	1	0.75	+0.0016 +0.0008	0.85	0.24
90D	5.12	+0.0016 +0.0000	6.50	7.87	M10	0.67	1	0.94	+0.0016 +0.0008	1.06	0.31
100D	7.09	+0.0016 +0.0000	8.46	9.84	M12	0.87	1	1.10	+0.0016 +0.0008	1.22	0.31
112D	7.09	+0.0016 +0.0000	8.46	9.84	M12	0.81	1	1.10	+0.0016 +0.0008	1.22	0.31
132D	9.06	+0.0018 +0.0000	10.43	11.81	M12	0.83	1	1.50	+0.0020 +0.0010	1.61	0.40
160D	9.84	+0.0018 +0.0000	11.81	13.78	M16	1.08	1	1.65	+0.0020 +0.0010	1.77	0.47
180D	9.84	+0.0018 +0.0000	11.81	13.78	M16 x 22 *	0.87	2	1.89	+0.0020 +0.0010	2.03	0.55
200D	11.81	+0.0020 +0.0000	13.78	15.75	M16	1.08	1	2.17	+0.0024 +0.0012	2.32	0.63

IEC Three-Piece Coupled (Requires B5 Flange On Mating Motor)

Motor Frame	φAK1	tol	φAJ1	φBD1	φBF1	Usable Tap Depth	Type	φFU	tol	FY	FZ
80D	5.12	+0.0016 +0.0000	6.50	7.87	M10	0.67	1	0.75	+0.0008 +0.0000	0.86	0.24
90D	5.12	+0.0016 +0.0000	6.50	7.87	M10	0.67	1	0.94	+0.0008 +0.0000	1.07	0.31
100D	7.09	+0.0016 +0.0000	8.46	9.84	M12	0.75	1	1.10	+0.0008 +0.0000	1.23	0.31
112D	7.09	+0.0016 +0.0000	8.46	9.84	M12	0.75	1	1.10	+0.0008 +0.0000	1.23	0.31
132D	9.06	+0.0018 +0.0000	10.43	11.81	M12	0.75	1	1.50	+0.0010 +0.0000	1.63	0.39
160D	9.84	+0.0018 +0.0000	11.81	13.78	M16	1.18	1	1.65	+0.0010 +0.0000	1.78	0.47
180D	9.84	+0.0028 +0.0000	11.81	13.78	M16	0.98	1	1.89	+0.0010 +0.0000	2.03	0.55
200D	11.81	+0.0032 +0.0000	13.78	15.75	M16	0.98	1	2.17	+0.0012 +0.0000	2.32	0.63
225D	13.78	+0.0035 +0.0000	15.75	17.72	M16	1.06	1	2.36	+0.0012 +0.0000	2.52	0.71
250D	17.72	+0.0038 +0.0000	19.69	21.65	M16	1.06	1	2.56	+0.0012 +0.0000	2.72	0.71

* Depth of usable thread

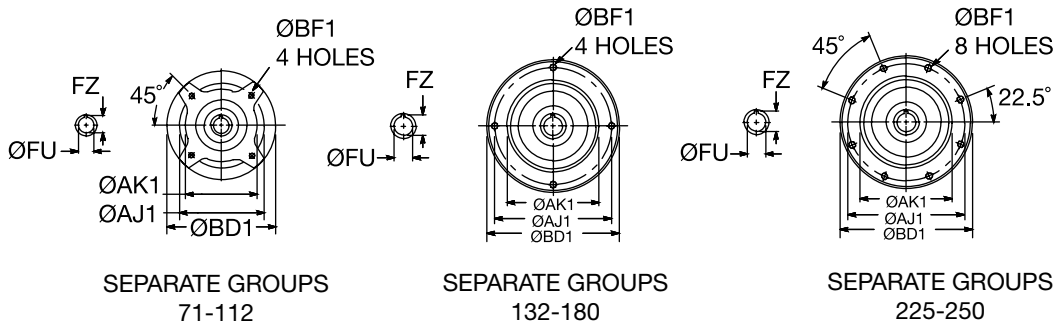
NOTE: Metric course thread is standard for QUANTIS

ASSEMBLY / DISASSEMBLY



QUANTIS

Separate Flange / Shaft Details



Separate Input

	ϕ BD1	ϕ AK1	tol	ϕ AJ 1	ϕ BF1 x Depth (G)	ϕ FU	tol	FZ	Inch/mm
71	5.35	3.740	+0.0005 -0.0004	4.57	M8 x 0.55	0.625	+0.0000 -0.0005	0.71	
	136	95	+0.013 -0.009	116	M8 x 14	16	+0.012 +0.001	18	
80	5.51	3.740	+0.0005 -0.0004	4.57	M8 x 0.55	0.750	+0.0000 -0.0005	0.84	
	140	95	+0.013 -0.009	116	M8 x 14	19	+0.015 +0.002	21.5	
90	5.51	3.740	+0.0005 -0.0004	4.57	M8 x 0.55	0.875	+0.0000 -0.0005	0.96	
	140	95	+0.013 -0.009	116	M8 x 14	24	+0.015 +0.002	27	
100	6.85	4.724	+0.0005 -0.0004	5.71	M10 x 0.67	1.125	+0.0000 -0.0005	1.24	
	174	120	+0.013 -0.009	145	M10 x 17	28	+0.015 +0.002	31	
112	7.01	4.724	+0.0005 -0.0004	5.71	M10 x 0.67	1.250	+0.0000 -0.0005	1.37	
	178	120	+0.013 -0.009	145	M10 x 17	28	+0.015 +0.002	31	
132	8.43	6.299	+0.0006 -0.0004	7.24	M10 x 0.67	1.375	+0.0000 -0.0005	1.52	
	214	160	+0.014 -0.011	184	M16 x 22	38	+0.018 +0.002	41	
160	9.88	6.299	+0.0006 -0.0004	7.24	M16 x 0.87	1.625	+0.0000 -0.0010	1.80	
	251	160	+0.014 -0.011	184	M16 x 28	42	+0.018 +0.002	45	
180	11.65	7.677	+0.0006 -0.0005	9.06	M16 x 1.10	2.125	+0.0000 -0.0010	2.35	
	296	195	+0.016 -0.013	230	M16 x 28	55	+0.021 +0.002	59	
225	13.46	9.843	+0.0006 -0.0005	11.81	M16 x 0.87	2.125	+0.0000 -0.0010	2.35	
	342	250	+0.016 -0.013	300	M16 x 22	60	+0.030 +0.011	64	
250	15.59	9.843	+0.0006 -0.0005	11.81	M16 x 0.87	2.375	+0.0000 -0.0010	2.65	
	396	250	+0.016 -0.013	300	M16 x 22	65	+0.030 +0.011	69	

(G) See Footnote on inside back cover

NOTE: Metric course thread is standard for QUANTIS

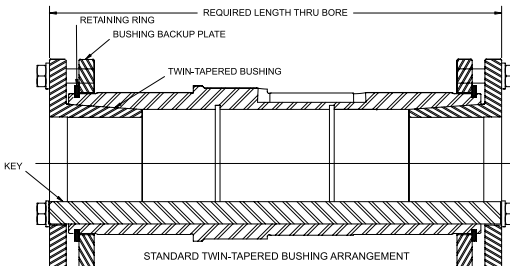
Installation Instructions for DODGE QUANTIS MSM AND RHB Reducers with Twin-Tapered Bushings

WARNING

To ensure that the drive is not unexpectedly started, turn off and lock out or tag power source before proceeding. Failure to observe these precautions could result in bodily injury.

The DODGE QUANTIS reducer is designed to fit both standard and short length driven shafts. The Standard Taper Bushing series is designed where shaft length is not a concern. The Short Shaft Bushing series is to be used where the driven shaft does not extend through the reducer.

Figure 1



Standard Taper Bushings:

1. One bushing assembly is required to mount the reducer on the driven shaft. An assembly consists of two tapered bushings, bushing screws and washers, two bushing backup plates and retaining rings, and necessary shaft key or keys. The driven shaft must extend through the full length of the reducer. If the driven shaft does not extend through the reducer, do not use the standard tapered bushings; instead use the short shaft bushings as described in the Short Shaft Bushing section that follows. The minimum shaft length as measured from the end of the shaft to the outer edge of the bushing flange (See Figure 3) is given in Table 1.
2. Install one bushing backup plate on the end of the hub and secure with the supplied retaining ring. Repeat procedure for the other side.
3. Place one bushing, flange end first, onto the driven shaft and position per dimensions "A", as shown in Table 2. This will allow the bolts to be threaded into the bushing for future bushing and reducer removal.
4. Insert the output key in the shaft and bushing. For ease of installation, rotate the driven shaft so that the shaft keyseat is at the top position.

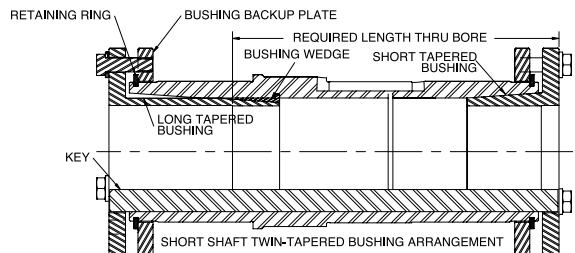
5. Mount the reducer on the driven shaft and align the shaft key with the reducer hub keyway. Maintain the recommended minimum distance "A" from the shaft bearings.
6. Insert the screws with the washers installed, in the unthreaded holes in the bushing flange and align with the threaded holes in the bushing backup plate. If necessary, rotate the bushing backup plate to align with the bushing screws. Tighten the screws lightly. If the reducer must be positioned closer than the dimensions "A", place the screws with washers installed, in the unthreaded holes in the bushing before positioning reducer making sure to maintain at least 1/8" between the screw heads and the bearing.

CAUTION

Be sure screws do not contact seal face once torqued to the proper specification

7. Place the second tapered bushing in position on the shaft and align the bushing keyway with the shaft key. Align the unthreaded holes in the bushing with the threaded holes in the bushing backup plate. If necessary, rotate the bushing backup plate to align with the bushing holes. Insert the bushing screws with washers installed in the unthreaded holes in the bushing. Tighten screws lightly.
8. Alternately and evenly tighten the screws in the bushing nearest the equipment to the recommended torque given in Table . . Repeat the procedure for the outer bushing.

Figure 2



ASSEMBLY / DISASSEMBLY



Installation Instructions for DODGE QUANTIS MSM AND RHB Reducers with Twin-Tapered Bushings

Short Shaft Bushings

1. One bushing assembly is required to mount the reducer on the driven shaft. An assembly consists of one long tapered bushing, one short tapered bushing, one tapered bushing wedge, bushing screws and washers, two bushing backup plates, retaining rings, and necessary shaft key or keys. The driven shaft does not need to extend through the reducer for the short shaft bushing to operate properly. The minimum shaft length as measured from the end of the shaft to the outer edge of the bushing flange (See Figure 3) is given in Table 1.
2. Determine which side the long bushing will be installed from. The long bushing may be installed from either side of the reducer.
3. Install the tapered bushing wedge from the same side as the long bushing will be installed from. Install the tapered bushing wedge into the reducer hub so that the flange is installed first and the thin taper is pointing outwards. The bushing is properly installed when it snaps into place in the reducer hub.
4. Align the tapered bushing wedge keyway with the reducer hub keyway. The keyway in the wedge is slightly wider than the keyway in the reducer hub allowing for easier installation.
5. Install one bushing backup plate on the end of the hub and secure with the supplied retaining ring. Repeat procedure for other side.
6. If installing the long bushing on side A, install the short bushing; flange first, on the driven shaft and position per dimensions "A", as shown in Table 2. This will allow the bolts to be threaded into the bushing for future bushing and reducer removal.
7. Insert the output key in the shaft and bushing. For ease of installation, rotate the driven shaft so that the shaft keyseat is at the top position.
8. Mount the reducer on the driven shaft and align the shaft key with the reducer hub keyway. Maintain the recommended minimum distance "A" from the shaft bearings.
9. Insert the screws, with washers installed, in the unthreaded holes in the bushing flange and align with the threaded holes in the bushing backup plate. If necessary, rotate the bushing backup plate to align with the bushing screws. Tighten the screws lightly. If the reducer must be positioned closer than dimension "A", place the screws, with washers installed in the unthreaded holes in the bushing before positioning the reducer making sure to maintain at least 1/8" between the screw heads and the bearing.

10. Place the long bushing in position on the shaft and align the bushing keyway with the shaft key. Use care to locate the long bushing with the tapered bushing wedge installed earlier. Align the unthreaded holes in the bushing with the threaded holes in the bushing backup plate. If necessary, rotate the bushing backup plate to align with the bushing holes. Insert bushing screws, with washers installed in the unthreaded holes in the bushing. Tighten screws lightly.
11. Alternately and evenly tighten the screws in the bushing nearest the equipment to the recommended torque, given in Table 2. Repeat procedure for the outer bushing.

Bushing Removal for Standard Taper or Short Shaft Bushings:

1. Remove bushing screws.
2. Place the screws in the threaded holes provided in the bushing flanges. Tighten the screws alternately and evenly until the bushing are free on the shaft. For ease of tightening screws, make sure screw threads and threaded holes in the bushing flanges are clean. If the reducer was positioned closer than the recommended minimum distance "A" as shown in Table 2, loosen the inboard bushing screws until they are clear of the bushing flange by 1/8". Locate two (2) wedges at 180 degrees between the bushing flange and the bushing backup plate. Drive the wedges alternately and evenly until the bushing is free on the shaft.
3. Remove the outboard bushing, the reducer and then the inboard bushings.

Table 1:
Minimum Required Shaft Length (in.)

Unit Size	Standard Taper Bushing	Short Shaft Bushing
38	6.75	5.1875
48	7.875	5.6875
68	9.375	7.25
88	10.50	7.5625
108	11.6875	8.875
128	14.875	11.375
148	16.75	13.1875
168	19.6875	16.00

Installation Instructions for DODGE QUANTIS MSM and RHB Reducers with Straight Hollow Bore

Please follow the instructions outlined below when assembling and disassembling this unit. Failure to follow the instructions as outlined below may result in damage to the gear unit or to the machine's drive shaft. For ease of assembly, it is recommended that the machine's drive shaft be chamfered. **DO NOT HAMMER THE GEARBOX SHAFT ONTO THE MACHINE'S DRIVE SHAFT.** The machine's drive shaft should be produced in accordance with the dimensions shown on the accompanying Table 2.

ASSEMBLY:

All shaft mounted gearboxes are furnished with A) Retaining Ring B) Keeper plate C) Retaining Bolt D) Spring Washer and E) Dust Cap, as shown in the finished assembly, Figure 2. The gearbox is pulled onto the shaft by means of a threaded rod and nut assembly as shown in Figure 1 below. The threaded rod and drive spacer are not supplied. The threaded rod thread (M) is specified in Table 2. After the gearbox has been pulled completely onto the machine shaft firmly against the machine shaft backing shoulder, it must be locked in place with the retaining bolt as shown in Figure 2.

Figure 1

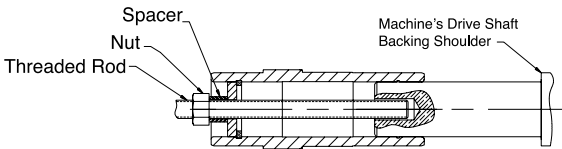
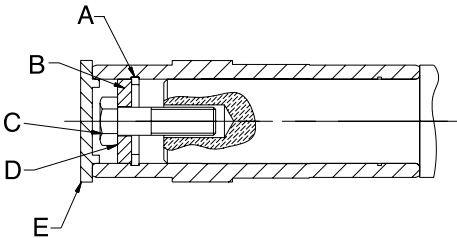


Figure 2



Recommended Tightening Torque for Retaining Bolt

Table 1: Bolt Thread Size

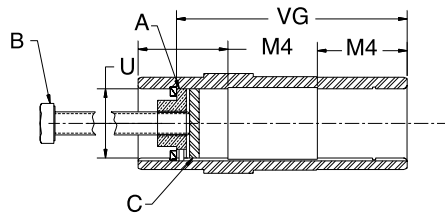
M	Torque
3/8-16	142 in-lb
5/8-11	611 in-lb
3/4-10	1221 in-lb
1-8	2098 in-lb
M10	16 Nm
M12	28 Nm
M16	69 Nm
M20	138 Nm
M24	237 Nm

Disassembly:

Prior to disassembly, the dust cap, retaining bolt, spring washer, keeper plate and retaining ring must be removed. For ease of disassembly, it is recommended that the following tool be made and used as described: The round keyed nut (A) is inserted into the free space between the retaining ring in the gear unit's hollow shaft and the end of the machine's drive shaft. The removal bolt (B) is screwed into the nut (A) which presses a disk (C) against the machine's drive shaft. The resulting force pushes the gearbox off the machine's drive shaft. Reference Figure 3 for the disassembly arrangement.

Please note: The retaining bolt supplied with the gear unit cannot be used for this purpose and must be replaced with the bolt specified in Table 2. The round keyed nut and disk should be made from 1045 steel and removal bolt should be a minimum of SAE Grade 5.

Figure 3



ASSEMBLY / DISASSEMBLY



Installation Instructions for DODGE QUANTIS MSM and RHB Reducers with Straight Hollow Bore - Inch Shafts

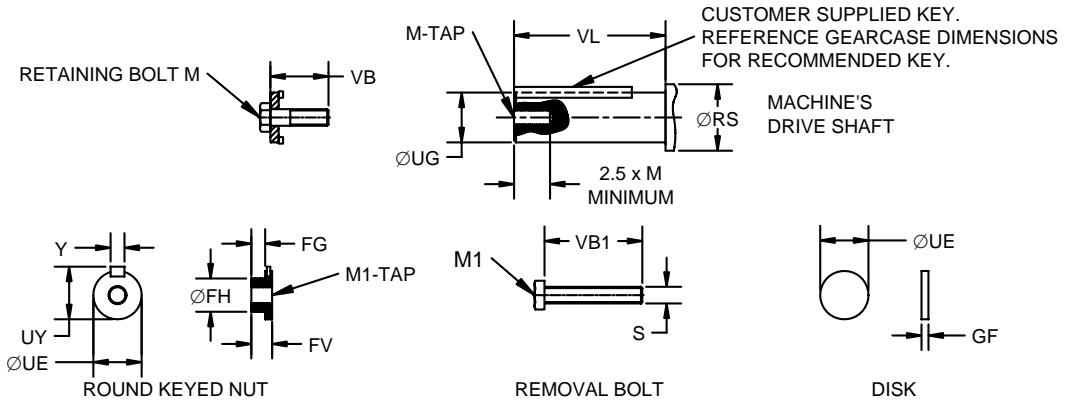


TABLE 2 - INCH SHAFTS

Dimensions - Inch

Unit Size	FG	ØFH	FV	GF	M	M1	M4	S	Ø U *	Y Max.	ØUE	ØUG	tol.	UY Max	VL	VB	VB1	VG	Ø RS \diamond
38	0.38	0.75	0.625	0.12	3/8-16	3/8-16	1.73	0.31	1.250	0.250	1.245	1.250	+0.0000 -0.0006	1.367	3.50	1.75	6.00	4.02	1.75
48	0.38	0.93	0.625	0.12	3/8-16	5/8-18	2.28	0.50	1.375	0.312	1.370	1.375	+0.0000 -0.0006	1.52	4.50	1.75	7.00	5.04	1.875
68	0.50	1.06	0.875	0.25	5/8-11	3/4 - 10	2.72	0.63	1.500	0.375	1.495	1.500	+0.0000 -0.0006	1.669	5.25	2.25	8.00	5.91	2.00
					3/8-16						1.4375	1.4375	+0.0000 -0.0006						
88	0.50	1.37	0.813	0.25	3/4-10	7/8-14	3.07	0.81	2.000	0.500	1.995	2.000	+0.0000 -0.0007	2.22	6.50	2.25	9.50	7.09	2.50
					5/8-11						1.9375	1.9375	+0.0000 -0.0006						
108	0.50	1.75	1.00	0.31	3/4-10	7/8-14	3.66	0.81	2.375	0.625	2.370	2.375	+0.0000 -0.0007	2.65	7.25	3.00	12.50	8.19	2.875
											2.4375	2.433	2.4375						
128	0.50	2.00	1.00	0.31	3/4-10	7/8-14	4.84	0.81	2.750	0.625	2.745	2.750	+0.0000 -0.0007	3.03	9.5	3.00	14.00	10.35	3.25
											2.9375	2.933	2.9375						
148	0.50	2.62	1.25	0.31	1-8	1-1/4-12	5.83	1.00	3.625	0.875	3.620	3.625	+0.0000 -0.0009	4.01	11.00	3.00	16.00	12.20	4.125
											3.4375	3.433	3.4375						
168	0.50	3.00	1.25	0.31	1-8	11/4-12	6.89	1.00	4.000	1.000	3.995	4.000	+0.0000 -0.0009	4.44	13.25	3.00	18.50	14.41	4.50
											3.9375	3.933	3.9375						

* Hollow shaft tolerances (For dimension U) are shown in the gearbox dimension pages.

Tolerance for dimension UE should be -0.01 in for inch bore shafts

Bold shaft diameters indicate standard shaft

\diamond RS Dimension is the minimum recommended shaft shoulder diameter

Installation Instructions for DODGE QUANTIS MSM and RHB Reducers with Straight Hollow Bore - Metric Shafts

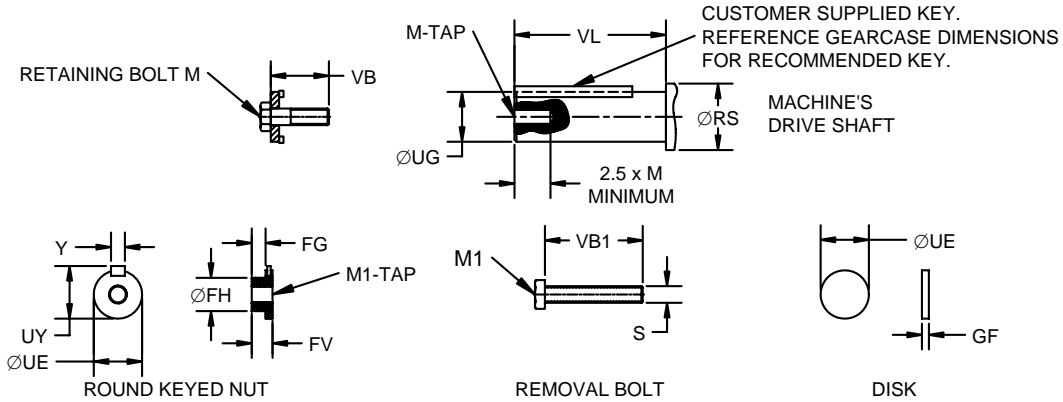


TABLE 2 - METRIC SHAFTS

Dimensions - mm

Unit Size	FG	ØFH	FV	GF	M	M1	M4	S	Ø U *	Y Max.	ØUE	ØUG	tol.	UY Max	VL	VB	VB1	VG	Ø RS ◇
38	10	9	15	6	M10	M10 x 1.5	44	8	30	8	29.9	30	+0.000 -0.013	33	90	40	150	102	42
					M12	M12 x 1.5			35	10	34.9	35	+0.0000 -0.0016						47
48	9	22	15	6	M16	M12 x 1.5	58	10	40	12	39.9	40	+0.000 -0.016	43	115	60	180	128	52
					M16				M16 x 1.5	40	12	39.9	40						+0.0000 -0.0016
68	13	26	20	7	M16	M16 x 1.5	69	13	45	14	44.9	45	+0.000 -0.016	49	135	60	210	150	57
					M16				M16 x 1.5	50	14	49.9	50						+0.0000 -0.0016
88	13	35	20	7	M20	M16 x 1.5	78	13	60	18	59.9	60	+0.000 -0.019	64	165	70	250	180	72
					M20				M20 x 1.5	60	18	59.9	60						+0.0000 -0.0019
108	12	45	24	10	M20	M20 x 1.5	93	16	70	20	69.9	70	+0.000 -0.019	74	185	80	320	208	82
					M20				M20 x 1.5	70	20	69.9	70						+0.0000 -0.0019
128	12	52	24	10	M20	M20 x 1.5	123	16	80	22	79.9	80	+0.000 -0.019	85	240	85	360	263	92
					M20				M20 x 1.5	80	22	79.9	80						+0.0000 -0.0019
148	7	61	24	10	M24	M20 x 1.5	148	16	90	25	89.9	90	+0.000 -0.022	95	280	95	410	310	102
					M24				M24 x 1.5	90	25	89.9	90						+0.0000 -0.0022
168	8	79	30	10	M24	M24 x 1.5	175	20	100	28	99.9	100	+0.000 -0.022	106	330	95	470	366	112
					M24				M24 x 1.5		110	109.9	110						+0.000 -0.022

* Hollow shaft tolerances (For dimension U) are shown in the gearbox dimension pages.

Tolerance for dimension UE should be -0.01 in for inch bore shafts

Bold shaft diameters indicate standard shaft

◇ RS Dimension is the minimum recommended shaft shoulder diameter

ASSEMBLY / DISASSEMBLY



Installation Instructions for DODGE QUANTIS MSM and RHB Reducers with Shrink Disk Mounting

WARNING

To ensure that the drive is not unexpectedly started, turn off and lock out or tag power source before proceeding. Failure to observe these precautions could result in bodily injury.

WARNING

Never tighten the clamping screws before the machine shaft is installed. If the clamping screws are tightened before the machine shaft is installed, the reducer hollow shaft will be plastically deformed and permanently damaged.

The Shrink Disk is delivered ready for installation.

WARNING

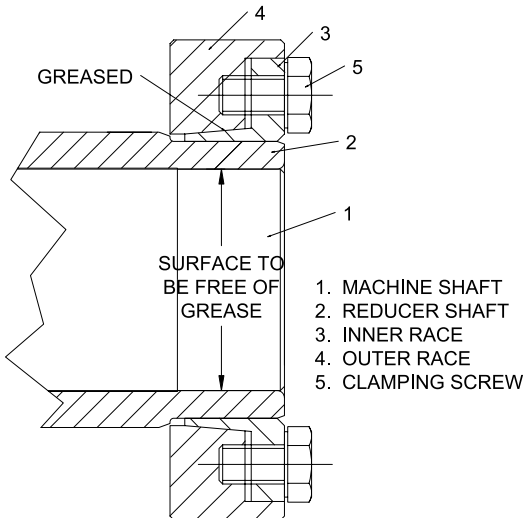
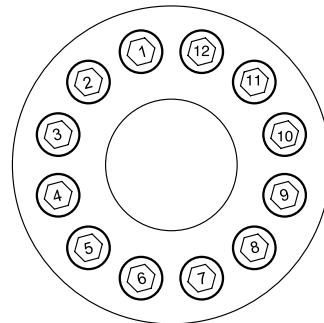
Do not disassemble the shrink disk before first clamping.

The clamping screws are to be tightened in the proper sequence until the front surfaces of the outer and inner race are flush. The correct clamping state can thus be checked visually.

Reference the following diagram for the proper tightening sequence for the clamping screws.

Assembly

The bore of the hollow shaft and the outside diameter of the machine shaft must be clean, dry and free of grease and oil in the area around the shrink disk seat. The performance of the unit depends on proper installation. Dirty solvents and cleaning rags are unsuitable for cleaning these surfaces. The tapered surfaces of the shrink disk may be lightly coated with grease.



Installation Instructions for DODGE QUANTIS MSM and RHB Reducers with Shrink Disk Mounting

To avoid overloading the individual screws, the maximum tightening torque must not be exceeded. Again, proper installation is achieved when the faces are flush. If the front surfaces of the inner and outer races are not flush after the screws are properly tightened, the tolerance of the machine shaft outer diameter should be checked to determine if it is within specification.

Maximum Tightening Torques

Unit Size	Clamping Screw Thread	Max. Tightening Torque	
38	M8	29 Nm	22 ft-lb
48	M8	29 Nm	22 ft-lb
68	M8	29 Nm	22 ft-lb
88	M10	58 Nm	43 ft-lb
108	M10	58 Nm	43 ft-lb
128	M10	58 Nm	43 ft-lb
148	M12	100 Nm	74 ft-lb
168	M14	160 Nm	118 ft-lb

Re-install the protective cover after the clamping screws are tightened.

Disassembly:

The clamping screws are to be loosened in sequence. If the outer race does not come off the inner race by itself, some clamping screws can be used as jack screws in the jack holes provided to force the two races apart. The shrink disk can then be removed from the reducer shaft.

Cleaning and Lubrication

If the gear unit is disassembled for any reason, it is recommended that the shrink disk be lubricated prior to re-assembly. Only the tapered surfaces should be lubricated. A solid grease with a friction coefficient of $\mu = 0.04$ in accordance with the table below should be used.

Lubricant	Commercial Form	Manufacturer
Molykote 321R	Spray	DOW Corning
Molkote Spray	Spray	DOW Corning
Molkote G Rapid	Spray or Paste	DOW Corning
Aemasol MO 19 P	Spray or Paste	A. C. Matthes
Molkombin UMFT 1	Spray	Kluber
Unimoly P5	Powder	Kluber

ASSEMBLY / DISASSEMBLY



Instructions for Use of the RHB Tie Rod Kit (KR)

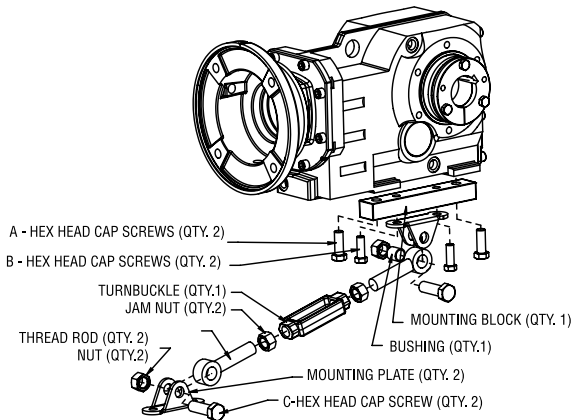


Figure A

Position the tie rod mounting block on the reducer hole pattern. The tie rod assembly must be located on the same side of the reducer as the driven shaft (see Figure B). Insert the supplied metric screws and tighten them to the tightening torque value labeled “A” in the above table. Position a mounting plate on the mounting block. Insert the supplied screws and tighten them to the tightening torque value labeled “B”. Connect a threaded rod to the mounting plate using a screw, bushing, and nut. Apply Threadlocker and hand tighten. Assemble a nut, turnbuckle, second threaded rod, and mounting plate (see Figure A). Attach this assembly to the threaded rod connected to the mounting plate. Orient the tie rod assembly at an angle within the range shown in Figure C, and secure the second mounting plate. Use Threadlocker and hand tighten the second mounting plate screw. Adjust the length of the tie rod assembly by rotating the turnbuckle. Tighten the jam nuts against the turnbuckle to lock the length of the tie rod assembly. Overall length can be reduced further (approximately 6 inches) by cutting the excess threaded rod from the tie rods.

Warning: Failure to apply Threadlocker and the correct tightening torque to fasteners may result in equipment failure and personal injury.

REDUCER SIZE	SCREW SIZE & THREAD		TIGHTENING TORQUE * (foot-lb.)
BF38	A	M10 x 35	43
	B	7/16 - 14	35
	C	5/8 - 11	Hand Snug
BF48	A	M10 x 45	43
	B	7/16 - 14	35
	C	5/8 - 11	Hand Snug
BF68	A	M12 x 45	74
	B	7/16 - 14	35
	C	5/8 - 11	Hand Snug
BF88	A	M16 x 55	181
	B	1/2" - 3	55
	C	5/8 - 11	Hand Snug
BF108	A	M16 x 55	181
	B	5/8 - 11	110
	C	5/8 - 11	Hand Snug
BF128	A	M20 x 65	350
	B	3/4 - 10	200
	C	1 - 8	Hand Snug
BF148	A	M24 x 75	605
	B	3/4 - 10	200
	C	1-8	Hand Snug
BF168	A	M30 x 120	1210
	B	1 - 8	480
	C	1-1/4 - 7	Hand Snug

*Apply Threadlocker to all fasteners

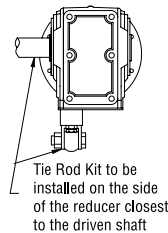


Figure B

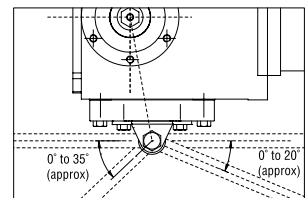


Figure C

Instructions for Use of the RHB Torque Arm Bracket (K)

The torque arm bracket must be attached to the tapped holes in the RHB housing base. The two mounting capscrews must be properly tightened with a torque wrench to their recommended tightening torque (see table below). It is highly recommended that the capscrews be secured with threadlocker (Loctite 243 or equivalent) to prevent them from loosening in service.

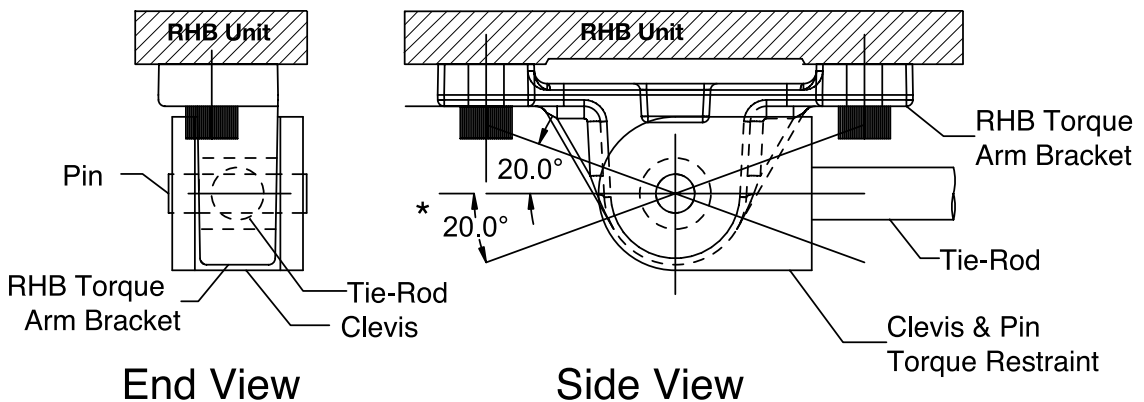
The torque arm bracket should be attached to the set of tapped holes in the base of the RHB unit that is adjacent to the nearest bearing supporting the driven shaft.

A torque restraining device must be pin connected to the torque arm by means of a clevis type connection. The pin diameter required is listed above or may be found on page RHB-348 (dimension "FU"). See the sketch below. It is very important that a clevis type device that straddles the torque arm bracket is used. This will ensure that no twisting moment is imposed on the torque arm bracket.

The clevis may be rigidly connected to nearby rigid framework or may be affixed to the end of a tie-rod assembly. If a tie-rod is used as a torque restraint, it should be oriented parallel to the base of the RHB unit. If this parallel orientation is not possible, it should not be oriented more than 20 degrees from parallel. Tie-rod orientation at greater angles will result in excessive loads on the RHB torque arm bracket.

Recommended Tightening Torques

Unit	Mounting Capscrew Size	Tightening Torque	Torque Arm Bracket Pin Diameter
BF38	M10	440 lb-in (50 Nm)	.47 in. (12 mm)
BF48	M10	440 lb-in (50 Nm)	.71 in. (18 mm)
BF68	M12	800 lb-in (90 Nm)	.71 in. (18 mm)
BF88	M16	1860 lb-in (210 Nm)	.98 in. (25 mm)
BF108	M16	1860 lb-in (210 Nm)	.98 in. (25 mm)
BF128	M20	3720 lb-in (420 Nm)	.98 in. (25 mm)
BF148	M24	6420 lb-in (725 Nm)	1.57 in. (40 mm)
BF168	M30	12840 lb-in (1450 Nm)	1.57 in. (40 mm)



* Allowable Angular Orientation of tie-rod is no more than +/- 20 deg. from a line parallel to base of RHB unit.

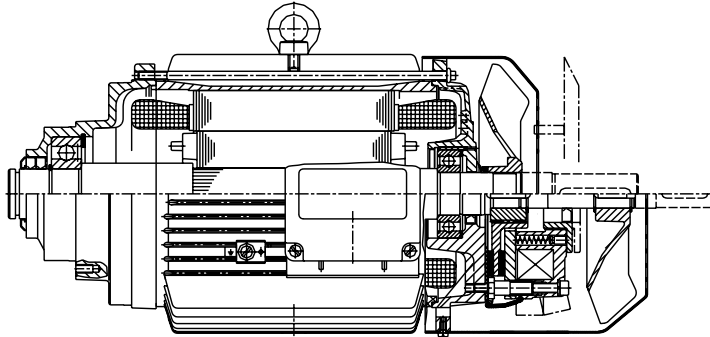
FEATURES/BENEFITS



DODGE MODULAR INTEGRAL MOTOR SYSTEM

Electrical information

Modular geared motor assembly system



Three-phase squirrel cage induction motors

Designs:

- Integral Gearmotor
- Frame sizes 71C4 to 132N4
- Output ratings 0.25HP to 10HP

Additional features, built-in and attached elements:

- Brakes
- Manual Release Included

Regulations:

The motors comply with the appropriate IEC, or NEMA standards.

Inverter Capability:

10-60 Hz constant Torque (6:1)

(Note: When operating an integral brakemotor with VFD, brake must have separate power supply)

Enclosure:

TEFC, totally enclosed fan cooled.

Protection IP 55

Housings are rolled steel frame. Fans are suitable for both rotational directions.

DIMENSIONS



ELECTRIC MOTORS - Three Phase Squirrel Cage Motor

1800 RPM - Synchronous Speed

Motor Voltages 230 / 460V, 60 Hz*

Nominal Power HP	Type	Nominal Speed RPM	Nominal Current at 230V Amps	Nominal Current at 460V Amps	Starting Current Amps	Starting Torque LB-FT	Moment of Inertia LB-FT ²	Efficiency %	Power Factor	Weight LB
0.25	71C4	1725	1.30	0.65	3.45	2.57	0.024	64.0	56	21
0.33	71D4	1725	1.60	0.80	4.40	3.75	0.031	68.0	57	21
0.5	71E4	1725	2.00	1.00	6.50	5.30	0.038	74.0	63	24
0.75	80F4	1725	3.00	1.50	10.0	8.80	0.048	75.5	60	27
1	80G4	1725	3.60	1.80	14.6	15.8	0.067	75.5	64	34
1.5	90H4	1740	4.20	2.00	16.8	15.2	0.166	86.5	80	45
2	90I4	1725	5.60	2.60	19.6	18.0	0.190	86.5	82	51
3	100J4	1750	8.30	4.10	38.6	42.5	0.273	87.5	78	59
5	112L4	1750	13.6	6.50	53.7	39.0	0.400	90.2	80	101
7.5	132M4	1770	21.0	9.40	71.6	42.1	0.885	91.7	81	133
10	132N4	1770	26.8	12.5	93.8	58.1	1.280	92.4	82	165

* Other voltages or types with changeable voltages are possible.

Motors rated at 230 / 460V are operable to minimum 208 volts.

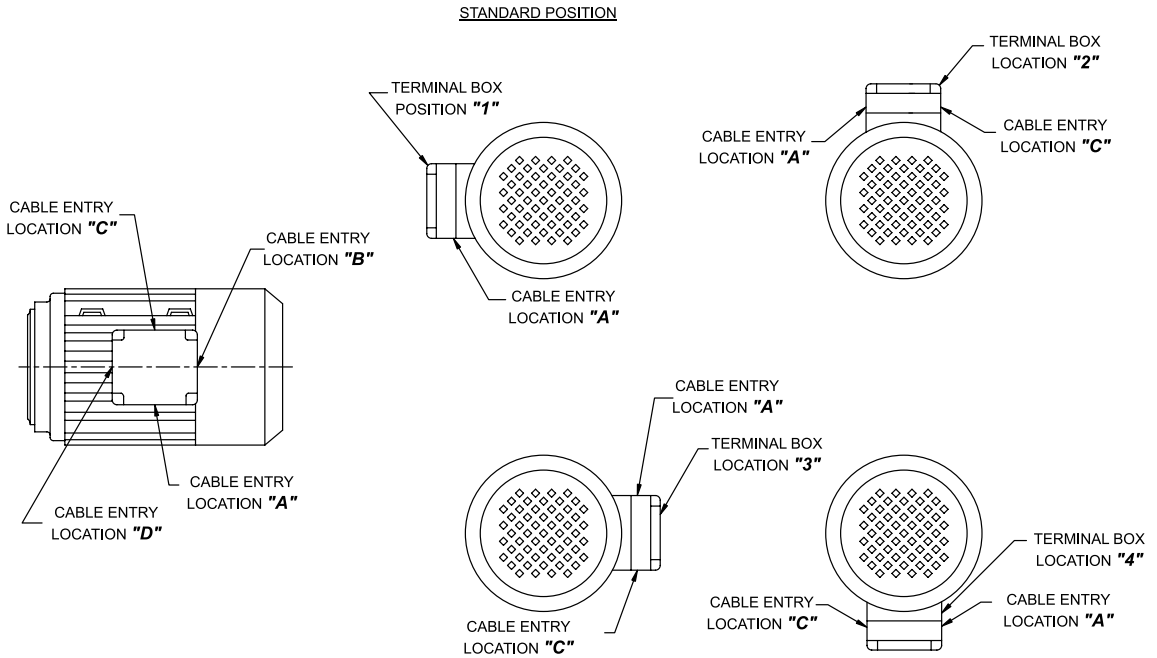
Motors will operate with +/- 10% variation in rated voltage with rated frequency. Performance within this voltage variation will not necessarily be in accordance with rated voltage.

BRAKE SELECTION

Motor Frame (HP)	Spring Applied Single Disk Brakes, DC Excitation	
	Brake Type	Nominal Torque T_N [Ft-Lb]
71C4 (.25) / 71D4 (.33) / 71E4 (.5)	L4	3
80F4 (.75) / 80G4 (1)	L8	6
90H4 (1.5) / 90I4 (2)	L16	12
100J4 (3)	L32	24
112L4 (5)	L60	44
132M4 (7.5) / 132N4 (10)	L80	59

For all combinations of brakes with motors listed in the selection row, the C and the LB. dimensions apply in the dimension sheets.

MOTOR TERMINAL BOX - INTEGRAL MOTORS



The terminal box can be located in 4 different positions by rotating the body of the motor. The standard position is position 1 with the cable entry located in the **A** location. The standard position, along with the optional positions, **2, 3, & 4** are shown

above. The terminal box can be rotated to provide the cable entry locations shown above, identified by four letters, **A, B, C, & D**. The location of the motor terminal box and cable entry can be specified at time of order.

WIRING DIAGRAM FOR DUAL VOLTAGE / SINGLE SPEED INTEGRAL MOTOR

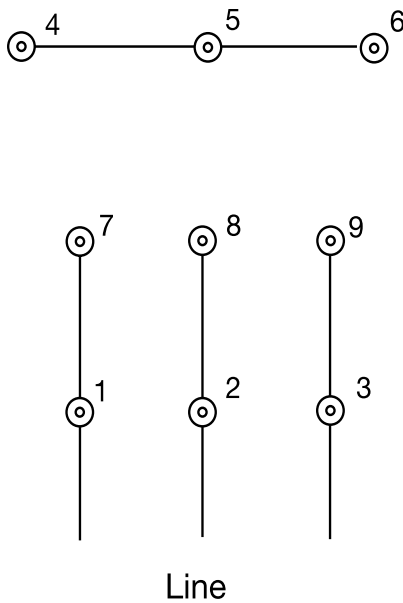
Voltage

The motors are supplied for the standard voltages 230 / 460V.

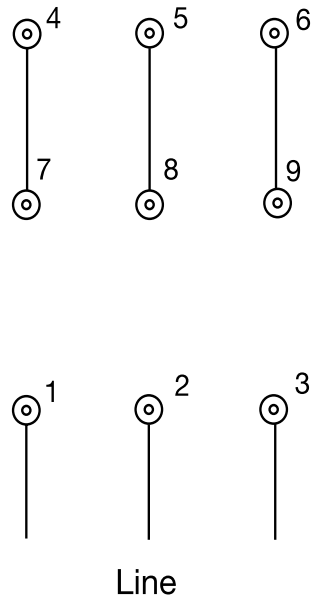
Motors for systems with different voltages and frequencies are available (extra charge).

Basic Wiring

Low Voltage Connection
(2Y)



High Voltage Connection
(1Y)



BALDOR • DODGE • RELIANCE

Application Information Worksheet

Attn: Application Engineering - **QUANTIS**

Fax No.: (864) 281-2196

From: _____

Account No.: _____

Company: _____

Phone No.: _____ Fax No.: _____

Is this unit New Replacement If replacement, why? Explain: _____

Application Description _____

Ambient Operating Temperature Range (degrees F): _____ Operating Environment Description: _____

Hours Operated Per Day: _____ Starts/Stops per Hour: _____

Is this a reversing application? Yes No If Yes, How often per Hour? _____

Are there any size restrictions? Explain: _____

Moment of inertia of Driven Machine: _____

Prime Mover Information

Electric Motor? Frame Size _____ Rated HP _____ At _____ RPM

Foot Mount? C Face? Integral Gearmotor Peak Torque (in-lb) _____ Frequency of Peak Torque _____/Hour

Duration of Peak Torque (Seconds) _____ Phase/Frequency/Voltage Required (ie. 3/60/460) _____

Reliance Motor? Reliance Model Number _____ Customer Supplied Motor Manufacturer _____

Internal Combustion Engine? Single Cylinder? Multi-Cylinder?

HP _____ Or Torque (in-lb) _____ Developed At _____ RPM

Other Prime Mover? Explain: _____

Is Prime Mover Directly Coupled to the Reducer? Yes No If No, Explain _____

Special Features or Accessories Required? Yes No If Yes, Detail Features Required _____

Gear Drive Information

Type of Unit Required: ILH (In-Line-Helical) MSM (Motorized Shaft Mount) RHB (Right-Hand Helical Bevel)

Desired Ratio _____ Ratio Tolerance _____ Mounting Position Required _____

Constant Speed? Variable Speed If Variable Speed, What is desired speed range? _____

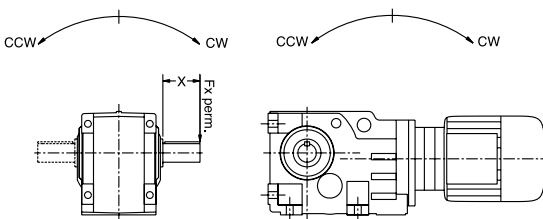
Backstop Required? Yes No If yes, which direction of rotation? CW CCW (See Below)

Overhung Load? Input Shaft Output Shaft Radial Load Thrust Load

Radial Load Location on shaft of OHL from Shaft Shoulder (x) _____ (in) Angle of Applied Load _____ (Degrees)

Load (F_x Perm) _____ (lb) Thrust Load - Toward Unit? Away from unit?

Special Features or Accessories Required? Yes No If Yes, detail features required _____



Internal Use Only

Engineering Inquiry # _____

C.O. Engineer Initials _____



PART NUMBER INDEX



Part Number	Page	Part Number	Page	Part Number	Page
085788	RHB-349	092593	RHB-351, MSM-229	092648	RHB-353, MSM-231
085821	RHB-349	092594	RHB-351, MSM-229	092649	RHB-353, MSM-231
085839	RHB-349	092595	RHB-351, MSM-229	092650	RHB-353, MSM-231
085857	RHB-349	092596	RHB-351, MSM-229	092651	RHB-353, MSM-231
085875	RHB-349	092597	RHB-351, MSM-229	092652	RHB-353, MSM-231
085893	RHB-349	092598	RHB-351, MSM-229	092653	RHB-353, MSM-231
085917	RHB-349	092599	RHB-351, MSM-229	092654	RHB-353, MSM-231
085944	RHB-349	092600	RHB-351, MSM-229	092655	RHB-353, MSM-231
086043	MSM-227	092601	RHB-351, MSM-229	092834	RHB-355, MSM-233
086050	MSM-227	092602	RHB-351, MSM-229	092835	RHB-355, MSM-233
086072	MSM-227	092603	RHB-351, MSM-229	092836	RHB-355, MSM-233
086078	MSM-227	092604	RHB-351, MSM-229	092837	RHB-355, MSM-233
086084	MSM-227	092605	RHB-351, MSM-229	092838	RHB-355, MSM-233
086090	MSM-227	092606	RHB-351, MSM-229	092839	RHB-355, MSM-233
086096	MSM-227	092607	RHB-351, MSM-229	092840	RHB-355, MSM-233
086102	MSM-227	092608	RHB-351, MSM-229	092841	RHB-355, MSM-233
091583	RHB-358, MSM-236	092609	RHB-351, MSM-229	092842	RHB-355, MSM-233
091583	MSM-236	092610	RHB-351, MSM-229	092843	RHB-355, MSM-233
091585	RHB-359, MSM-237	092611	RHB-351, MSM-229	092844	RHB-355, MSM-233
091585	MSM-237	092612	RHB-351, MSM-229	092845	RHB-355, MSM-233
091587	RHB-359, MSM-237	092613	RHB-351, MSM-229	092846	RHB-355, MSM-233
091589	RHB-360, MSM-238	092614	RHB-351, MSM-229	092847	RHB-355, MSM-233
091591	RHB-360, MSM-238	092615	RHB-351, MSM-229	092848	RHB-355, MSM-233
091593	RHB-360, MSM-238	092616	RHB-351, MSM-229	092849	RHB-355, MSM-233
091597	RHB-361, MSM-239	092617	RHB-351, MSM-229	092850	RHB-355, MSM-233
091599	RHB-361, MSM-239	092619	RHB-353, MSM-231	092851	RHB-355, MSM-233
091601	RHB-361, MSM-239	092620	RHB-353, MSM-231	092852	RHB-355, MSM-233
091603	RHB-362, MSM-240	092621	RHB-353, MSM-231	092853	RHB-355, MSM-233
091605	RHB-362, MSM-240	092622	RHB-353, MSM-231	092854	RHB-355, MSM-233
091607	RHB-362, MSM-240	092623	RHB-353, MSM-231	092855	RHB-355, MSM-233
091609	RHB-363, MSM-241	092624	RHB-353, MSM-231	092856	RHB-355, MSM-233
091611	RHB-363, MSM-241	092625	RHB-353, MSM-231	092857	RHB-355, MSM-233
091613	RHB-363, MSM-241	092626	RHB-353, MSM-231	092858	RHB-355, MSM-233
091615	RHB-363, MSM-241	092627	RHB-353, MSM-231	092859	RHB-355, MSM-233
091698	RHB-358, MSM-236	092628	RHB-353, MSM-231	092860	RHB-355, MSM-233
091699	RHB-358, MSM-236	092629	RHB-353, MSM-231	092861	RHB-355, MSM-233
091700	RHB-359, MSM-237	092630	RHB-353, MSM-231	092862	RHB-355, MSM-233
091701	RHB-359, MSM-237	092631	RHB-353, MSM-231	092863	RHB-355, MSM-233
091702	RHB-360, MSM-238	092632	RHB-353, MSM-231	092864	RHB-355, MSM-233
091703	RHB-360, MSM-238	092633	RHB-353, MSM-231	092865	RHB-355, MSM-233
091704	RHB-361, MSM-239	092634	RHB-353, MSM-231	092866	RHB-355, MSM-233
091705	RHB-361, MSM-239	092635	RHB-353, MSM-231	092867	RHB-355, MSM-233
091706	RHB-362, MSM-240	092636	RHB-353, MSM-231	092868	RHB-355, MSM-233
091707	RHB-362, MSM-240	092637	RHB-353, MSM-231	092869	RHB-355, MSM-233
091708	RHB-363, MSM-241	092638	RHB-353, MSM-231	092870	RHB-355, MSM-233
091709	RHB-363, MSM-241	092639	RHB-353, MSM-231	092871	RHB-354, MSM-232
091826	ILH-334	092640	RHB-353, MSM-231	092872	RHB-354, MSM-232
091827	ILH-334	092641	RHB-353, MSM-231	092873	RHB-354, MSM-232
091828	ILH-334	092642	RHB-353, MSM-231	092874	RHB-354, MSM-232
091829	ILH-334	092643	RHB-353, MSM-231	092875	RHB-354, MSM-232
091830	ILH-334	092644	RHB-353, MSM-231	092876	RHB-354, MSM-232
091831	ILH-334	092645	RHB-353, MSM-231	092877	RHB-354, MSM-232
091832	ILH-334	092646	RHB-353, MSM-231	092878	RHB-354, MSM-232
091833	ILH-334	092647	RHB-353, MSM-231	092879	RHB-354, MSM-232

PART NUMBER INDEX



Part Number	Page	Part Number	Page	Part Number	Page
092880	RHB-354, MSM-232	093061	RHB-356, MSM-234	093115	RHB-350, MSM-228
092881	RHB-354, MSM-232	093062	RHB-356, MSM-234	093116	RHB-350, MSM-228
092882	RHB-354, MSM-232	093063	RHB-356, MSM-234	093117	RHB-350, MSM-228
092883	RHB-354, MSM-232	093064	RHB-356, MSM-234	093118	RHB-350, MSM-228
092884	RHB-354, MSM-232	093065	RHB-356, MSM-234	093119	RHB-350, MSM-228
092885	RHB-354, MSM-232	093066	RHB-356, MSM-234	093121	RHB-352, MSM-230
092886	RHB-354, MSM-232	093067	RHB-356, MSM-234	093122	RHB-352, MSM-230
092887	RHB-354, MSM-232	093068	RHB-357, MSM-235	093123	RHB-352, MSM-230
092888	RHB-354, MSM-232	093069	RHB-357, MSM-235	093124	RHB-352, MSM-230
092889	RHB-354, MSM-232	093070	RHB-357, MSM-235	093125	RHB-352, MSM-230
092890	RHB-354, MSM-232	093071	RHB-357, MSM-235	093126	RHB-352, MSM-230
092891	RHB-354, MSM-232	093072	RHB-357, MSM-235	093127	RHB-352, MSM-230
092892	RHB-354, MSM-232	093073	RHB-357, MSM-235	093128	RHB-352, MSM-230
092893	RHB-354, MSM-232	093074	RHB-357, MSM-235	093129	RHB-352, MSM-230
092894	RHB-354, MSM-232	093075	RHB-357, MSM-235	093130	RHB-352, MSM-230
092895	RHB-354, MSM-232	093076	RHB-357, MSM-235	093131	RHB-352, MSM-230
092896	RHB-354, MSM-232	093077	RHB-357, MSM-235	093132	RHB-352, MSM-230
092897	RHB-354, MSM-232	093078	RHB-357, MSM-235	093133	RHB-352, MSM-230
092898	RHB-354, MSM-232	093079	RHB-357, MSM-235	093134	RHB-352, MSM-230
092899	RHB-354, MSM-232	093080	RHB-357, MSM-235	093135	RHB-352, MSM-230
092900	RHB-354, MSM-232	093081	RHB-357, MSM-235	093136	RHB-352, MSM-230
092901	RHB-354, MSM-232	093082	RHB-357, MSM-235	093137	RHB-352, MSM-230
092902	RHB-354, MSM-232	093083	RHB-357, MSM-235	093138	RHB-352, MSM-230
092903	RHB-354, MSM-232	093084	RHB-357, MSM-235	093139	RHB-352, MSM-230
092904	RHB-354, MSM-232	093085	RHB-357, MSM-235	093140	RHB-352, MSM-230
092905	RHB-354, MSM-232	093086	RHB-357, MSM-235	093141	RHB-352, MSM-230
093033	RHB-356, MSM-234	093087	RHB-357, MSM-235	093142	RHB-352, MSM-230
093034	RHB-356, MSM-234	093088	RHB-357, MSM-235	093143	RHB-352, MSM-230
093035	RHB-356, MSM-234	093089	RHB-357, MSM-235	093144	RHB-352, MSM-230
093036	RHB-356, MSM-234	093090	RHB-357, MSM-235	093145	RHB-352, MSM-230
093037	RHB-356, MSM-234	093091	RHB-357, MSM-235	093146	RHB-352, MSM-230
093038	RHB-356, MSM-234	093092	RHB-357, MSM-235	093147	RHB-352, MSM-230
093039	RHB-356, MSM-234	093093	RHB-357, MSM-235	093148	RHB-352, MSM-230
093040	RHB-356, MSM-234	093094	RHB-357, MSM-235	093149	RHB-352, MSM-230
093041	RHB-356, MSM-234	093095	RHB-357, MSM-235	093150	RHB-352, MSM-230
093042	RHB-356, MSM-234	093096	RHB-357, MSM-235	094201	RHB-348
093043	RHB-356, MSM-234	093097	RHB-357, MSM-235	094202	RHB-348
093044	RHB-356, MSM-234	093098	RHB-357, MSM-235	094371	RHB-348
093045	RHB-356, MSM-234	093099	RHB-357, MSM-235	094372	RHB-348
093046	RHB-356, MSM-234	093100	RHB-357, MSM-235	094373	RHB-348
093047	RHB-356, MSM-234	093101	RHB-357, MSM-235	094374	RHB-348
093048	RHB-356, MSM-234	093102	RHB-357, MSM-235	094375	RHB-348
093049	RHB-356, MSM-234	093103	RHB-357, MSM-235	094376	RHB-348
093050	RHB-356, MSM-234	093104	RHB-357, MSM-235	483CN180TC	ILH-345
093051	RHB-356, MSM-234	093105	RHB-350, MSM-228	B_1083C1100D	RHB-376
093052	RHB-356, MSM-234	093106	RHB-350, MSM-228	B_1083C1112D	RHB-376
093053	RHB-356, MSM-234	093107	RHB-350, MSM-228	B_1083C1132D	RHB-376
093054	RHB-356, MSM-234	093108	RHB-350, MSM-228	B_1083C1160D	RHB-376
093055	RHB-356, MSM-234	093109	RHB-350, MSM-228	B_1083C180D	RHB-376
093056	RHB-356, MSM-234	093110	RHB-350, MSM-228	B_1083C190D	RHB-376
093057	RHB-356, MSM-234	093111	RHB-350, MSM-228	B_1083CN140TC	RHB-376
093058	RHB-356, MSM-234	093112	RHB-350, MSM-228	B_1083CN180TC	RHB-376
093059	RHB-356, MSM-234	093113	RHB-350, MSM-228	B_1083CN210TC	RHB-376
093060	RHB-356, MSM-234	093114	RHB-350, MSM-228	B_1083CN250TC	RHB-376

PART NUMBER INDEX



Part Number	Page	Part Number	Page	Part Number	Page
B_1083GH100J4	RHB-81, RHB-376	B_1283LI112D	RHB-377	B_1483SI112	RHB-378
B_1083GH112L4	RHB-83, RHB-84, RHB-376	B_1283LI132D	RHB-377	B_1483SI132	RHB-378
B_1083GH132M4	RHB-85, RHB-376	B_1283LI160D	RHB-377	B_1483SI160	RHB-378
B_1083GH132N4	RHB-87, RHB-88, RHB-376	B_1283LI180D	RHB-377	B_1483SI180	RHB-378
B_1083GH80G4	RHB-73, RHB-376	B_1283LI200D	RHB-377	B_1483SI225	RHB-378
B_1083GH90H4	RHB-75, RHB-76, RHB-376	B_1283LI90D	RHB-377	B_1483SM100	RHB-378
B_1083GH90I4	RHB-78, RHB-79, RHB-376	B_1283LN140TC	RHB-377	B_1483SM112	RHB-378
B_1083LI100D	RHB-376	B_1283LN180TC	RHB-377	B_1483SM132	RHB-378
B_1083LI112D	RHB-376	B_1283LN210TC	RHB-377	B_1483SM160	RHB-378
B_1083LI132D	RHB-376	B_1283LN250TC	RHB-377	B_1483SM180	RHB-378
B_1083LI160D	RHB-376	B_1283LN280TC	RHB-377	B_1483SM225	RHB-378
B_1083LI80D	RHB-376	B_1283SI100	RHB-377	B_1683CI132D	RHB-379
B_1083LI90D	RHB-376	B_1283SI112	RHB-377	B_1683CI160D	RHB-379
B_1083LN140TC	RHB-376	B_1283SI132	RHB-377	B_1683CI180D	RHB-379
B_1083LN180TC	RHB-376	B_1283SI160	RHB-377	B_1683CI200D	RHB-379
B_1083LN210TC	RHB-376	B_1283SI180	RHB-377	B_1683CN210TC	RHB-379
B_1083LN250TC	RHB-376	B_1283SI90	RHB-377	B_1683CN250TC	RHB-379
B_1083SI100	RHB-376	B_1283SM100	RHB-377	B_1683CN280TC	RHB-379
B_1083SI112	RHB-376	B_1283SM112	RHB-377	B_1683CN320TC	RHB-379
B_1083SI132	RHB-376	B_1283SM132	RHB-377	B_1683CN360TC	RHB-379
B_1083SI160	RHB-376	B_1283SM160	RHB-377	B_1683GH132M4	RHB-87, RHB-379
B_1083SI80	RHB-376	B_1283SM180	RHB-377	B_1683GH132N4	RHB-89, RHB-379
B_1083SI90	RHB-376	B_1283SM90	RHB-377	B_1683LI132D	RHB-379
B_1083SM100	RHB-376	B_1483CI100D	RHB-378	B_1683LI160D	RHB-379
B_1083SM112	RHB-376	B_1483CI112D	RHB-378	B_1683LI180D	RHB-379
B_1083SM132	RHB-376	B_1483CI132D	RHB-378	B_1683LI200D	RHB-379
B_1083SM160	RHB-376	B_1483CI160D	RHB-378	B_1683LI225D	RHB-379
B_1083SM80	RHB-376	B_1483CI180D	RHB-378	B_1683LI250D	RHB-379
B_1083SM90	RHB-376	B_1483CI200D	RHB-378	B_1683LN210TC	RHB-379
B_1283CI100D	RHB-377	B_1483CN180TC	RHB-378	B_1683LN250TC	RHB-379
B_1283CI112D	RHB-377	B_1483CN210TC	RHB-378	B_1683LN280TC	RHB-379
B_1283CI132D	RHB-377	B_1483CN250TC	RHB-378	B_1683LN320TC	RHB-379
B_1283CI160D	RHB-377	B_1483CN280TC	RHB-378	B_1683SI132	RHB-379
B_1283CI180D	RHB-377	B_1483CN320TC	RHB-378	B_1683SI160	RHB-379
B_1283CI200D	RHB-377	B_1483GH100J4	RHB-82, RHB-378	B_1683SI180	RHB-379
B_1283CI90D	RHB-377	B_1483GH112L4	RHB-84, RHB-85, RHB-378	B_1683SI225	RHB-379
B_1283CN140TC	RHB-377	B_1483GH132M4	RHB-86, RHB-87, RHB-378	B_1683SI250	RHB-379
B_1283CN180TC	RHB-377	B_1483GH132N4	RHB-88, RHB-89, RHB-378	B_1683SM132	RHB-379
B_1283CN210TC	RHB-377	B_1483LI100D	RHB-378	B_1683SM160	RHB-379
B_1283CN250TC	RHB-377	B_1483LI112D	RHB-378	B_1683SM180	RHB-379
B_1283CN280TC	RHB-377	B_1483LI132D	RHB-378	B_1683SM225	RHB-379
B_1283GH100J4	RHB-81, RHB-82, RHB-377	B_1483LI160D	RHB-378	B_1683SM250	RHB-379
B_1283GH112L4	RHB-84, RHB-377	B_1483LI180D	RHB-378	B_383CI100D	RHB-372
B_1283GH132M4	RHB-85, RHB-86, RHB-377	B_1483LI200D	RHB-378	B_383CI71D	RHB-372
B_1283GH132N4	RHB-88, RHB-377	B_1483LI225D	RHB-378	B_383CI80D	RHB-372
B_1283GH90H4	RHB-76, RHB-377	B_1483LI250TC	RHB-378	B_383CI90D	RHB-372
B_1283GH90I4	RHB-79, RHB-377	B_1483LN180TC	RHB-378	B_383CN140TC	RHB-372
B_1283LI100D	RHB-377	B_1483LN210TC	RHB-378	B_383CN180TC	RHB-372
		B_1483LN250TC	RHB-378	B_383CN56C	RHB-372
		B_1483LN280TC	RHB-378	B_383GH100J4	RHB-79, RHB-372
		B_1483LN320TC	RHB-378	B_383GH71C4	RHB-63, RHB-372
		B_1483SI100	RHB-378	B_383GH71D4	RHB-63, RHB-64, RHB-372

PART NUMBER INDEX



Part Number	Page	Part Number	Page	Part Number	Page
B_383GH71E4	RHB-66, RHB-372	B_683CI112D	RHB-374	B_883GH71C4	RHB-63, RHB-375
B_383GH80F4	RHB-68, RHB-69, RHB-372	B_683CI71D	RHB-374	B_883GH71D4	RHB-65, RHB-66, RHB-375
B_383GH80G4	RHB-70, RHB-71, RHB-372	B_683CI80D	RHB-374	B_883GH71E4	RHB-68, RHB-375
B_383GH90H4	RHB-73, RHB-74, RHB-372	B_683CI90D	RHB-374	B_883GH80F4	RHB-70, RHB-375
B_383GH90I4	RHB-76, RHB-77, RHB-372	B_683CN140TC	RHB-374	B_883GH80G4	RHB-72, RHB-73, RHB-375
B_383LI100D	RHB-372	B_683CN180TC	RHB-374	B_883GH90H4	RHB-75, RHB-375
B_383LI80D	RHB-372	B_683CN56C	RHB-374	B_883GH90I4	RHB-78, RHB-375
B_383LI90D	RHB-372	B_683GH100J4	RHB-80, RHB-374	B_883LI100D	RHB-375
B_383LN140TC	RHB-372	B_683GH112L4	RHB-82, RHB-83, RHB-374	B_883LI112D	RHB-375
B_383LN56C	RHB-372	B_683GH71C4	RHB-63, RHB-374	B_883LI132D	RHB-375
B_383SI100	RHB-372	B_683GH71D4	RHB-65, RHB-374	B_883LI80D	RHB-375
B_383SI71	RHB-372	B_683GH71E4	RHB-67, RHB-68, RHB-374	B_883LI90D	RHB-375
B_383SI80	RHB-372	B_683GH80F4	RHB-69, RHB-70, RHB-374	B_883LN140TC	RHB-375
B_383SI90	RHB-372	B_683GH80G4	RHB-71, RHB-72, RHB-374	B_883LN180TC	RHB-375
B_383SM100	RHB-372	B_683GH90H4	RHB-74, RHB-75, RHB-374	B_883LN210TC	RHB-375
B_383SM71	RHB-372	B_683GH90I4	RHB-77, RHB-78, RHB-374	B_883LN56C	RHB-375
B_383SM80	RHB-372	B_683LI100D	RHB-374	B_883SI100	RHB-375
B_383SM90	RHB-372	B_683LI112D	RHB-374	B_883SI112	RHB-375
B_483CI100D	RHB-373	B_683LI80D	RHB-374	B_883SI132	RHB-375
B_483CI71D	RHB-373	B_683LI90D	RHB-374	B_883SI71	RHB-375
B_483CI80D	RHB-373	B_683LN140TC	RHB-374	B_883SI80	RHB-375
B_483CI90D	RHB-373	B_683LN180TC	RHB-374	B_883SI90	RHB-375
B_483CN140TC	RHB-373	B_683LN56C	RHB-374	B_883SM100	RHB-375
B_483CN180TC	RHB-373	B_683S100	RHB-374	B_883SM112	RHB-375
B_483CN56C	RHB-373	B_683SI112	RHB-374	B_883SM132	RHB-375
B_483GH100J4	RHB-79, RHB-80, RHB-373	B_683SI71	RHB-374	B_883SM71	RHB-375
B_483GH71C4	RHB-63, RHB-373	B_683SI80	RHB-374	B_883SM80	RHB-375
B_483GH71D4	RHB-64, RHB-65, RHB-373	B_683SI90	RHB-374	B_883SM90	RHB-375
B_483GH71E4	RHB-66, RHB-67, RHB-373	B_683SM100	RHB-374	B10C18S01097	RHB-53
B_483GH80F4	RHB-69, RHB-373	B_683SM112	RHB-374	B10C18S01675	RHB-53
B_483GH80G4	RHB-71, RHB-373	B_683SM71	RHB-374	B10C18S01963	RHB-54
B_483GH90H4	RHB-74, RHB-373	B_683SM80	RHB-374	B10C18S02648	RHB-54
B_483GH90I4	RHB-77, RHB-373	B_683SM90	RHB-374	B10C18S04444	RHB-55
B_483LI100D	RHB-373	B_883CI100D	RHB-375	B10C18S05208	RHB-55
B_483LI80D	RHB-373	B_883CI112D	RHB-375	B10C18S06122	RHB-55
B_483LI90D	RHB-373	B_883CI132D	RHB-375	B10C18S07024	RHB-55
B_483LN140TC	RHB-373	B_883CI71D	RHB-375	B10C18S08985	RHB-56
B_483LN56C	RHB-373	B_883CI80D	RHB-375	B10C18S10852	RHB-56
B_483SI100	RHB-373	B_883CI90D	RHB-375	B10C18S12886	RHB-56
B_483SI71	RHB-373	B_883CN140TC	RHB-375	B10C18S16351	RHB-56
B_483SI80	RHB-373	B_883CN180TC	RHB-375	B10C18S20111	RHB-57
B_483SI90	RHB-373	B_883CN210TC	RHB-375	B10C18S24347	RHB-57
B_483SM100	RHB-373	B_883CN56C	RHB-375	B10C21S00768	RHB-53
B_483SM71	RHB-373	B_883GH100J4	RHB-80, RHB-81, RHB-375	B10C21S01097	RHB-53
B_483SM80	RHB-373	B_883GH112L4	RHB-83, RHB-375	B10C21S01675	RHB-53
B_483SM90	RHB-373	B_883GH132M4	RHB-85, RHB-375	B10C21S01963	RHB-54
B_683CI100D	RHB-374	B_883GH132N4	RHB-87, RHB-375	B10C21S02648	RHB-54
				B10C21S03644	RHB-54
				B10C21S04444	RHB-55
				B10C21S05208	RHB-55
				B10C21S06122	RHB-55
				B10C21S07024	RHB-55

PART NUMBER INDEX



Part Number	Page	Part Number	Page	Part Number	Page
B10C21S08985	RHB-56	B12C25S04138	RHB-55	B14C28S02658	RHB-54
B10C21S10852	RHB-56	B12C25S04814	RHB-55	B14C28S03110	RHB-54
B10C21S12886	RHB-56	B12C25S05336	RHB-55	B14C28S04138	RHB-55
B10C21S16351	RHB-56	B12C25S08598	RHB-55	B14C28S05657	RHB-55
B10C25S00768	RHB-53	B12C25S09744	RHB-56	B14C28S07380	RHB-55
B10C25S01097	RHB-53	B12C25S11434	RHB-56	B14C28S10153	RHB-56
B10C25S01675	RHB-53	B12C25S13607	RHB-56	B14C28S14241	RHB-56
B10C25S01936	RHB-54	B12C25S17580	RHB-56	B16C21S01017	RHB-53
B10C25S02648	RHB-54	B12C28S00710	RHB-53	B16C21S02190	RHB-54
B10C25S03644	RHB-54	B12C28S01088	RHB-53	B16C21S03253	RHB-54
B10C25S04444	RHB-55	B12C28S01513	RHB-53	B16C21S05318	RHB-55
B10C25S05208	RHB-55	B12C28S01992	RHB-54	B16C21S07949	RHB-55
B10C25S06122	RHB-55	B12C28S02702	RHB-54	B16C21S10418	RHB-56
B10C25S07024	RHB-55	B12C28S03061	RHB-54	B16C21S15036	RHB-56
B10C25S08985	RHB-56	B12C28S03592	RHB-54	B16C21S19954	RHB-57
B10C25S10852	RHB-56	B12C28S04138	RHB-55	B16C21S22615	RHB-57
B10C25S12886	RHB-56	B12C28S04814	RHB-55	B16C21S28795	RHB-57
B12C18S01088	RHB-53	B12C28S05336	RHB-55	B16C25S00661	RHB-53
B12C18S01992	RHB-54	B12C28S08598	RHB-55	B16C25S01017	RHB-53
B12C18S02702	RHB-54	B12C28S09744	RHB-56	B16C25S01621	RHB-53
B12C18S03061	RHB-54	B12C28S11434	RHB-56	B16C25S02190	RHB-54
B12C18S03592	RHB-54	B12C28S13607	RHB-56	B16C25S03253	RHB-54
B12C18S08598	RHB-55	B14C18S02658	RHB-54	B16C25S04515	RHB-55
B12C18S09744	RHB-56	B14C18S07380	RHB-55	B16C25S05318	RHB-55
B12C18S11434	RHB-56	B14C18S10153	RHB-56	B16C25S07949	RHB-55
B12C18S13607	RHB-56	B14C18S14241	RHB-56	B16C25S10418	RHB-56
B12C18S17580	RHB-56	B14C18S20438	RHB-57	B16C25S15036	RHB-56
B12C18S20418	RHB-57	B14C18S25155	RHB-57	B16C25S19954	RHB-57
B12C18S24202	RHB-57	B14C18S30608	RHB-57	B16C28S00661	RHB-53
B12C18S29538	RHB-57	B14C21S01505	RHB-53	B16C28S01017	RHB-53
B12C21S00710	RHB-53	B14C21S01984	RHB-54	B16C28S01621	RHB-53
B12C21S01088	RHB-53	B14C21S02658	RHB-54	B16C28S02190	RHB-54
B12C21S01513	RHB-53	B14C21S05657	RHB-55	B16C28S03253	RHB-54
B12C21S01992	RHB-54	B14C21S07380	RHB-55	B16C28S04515	RHB-55
B12C21S02702	RHB-54	B14C21S10153	RHB-56	B16C28S05318	RHB-55
B12C21S03061	RHB-54	B14C21S14241	RHB-56	B16C28S07949	RHB-55
B12C21S03592	RHB-54	B14C21S20438	RHB-57	B16C28S10418	RHB-56
B12C21S04138	RHB-55	B14C21S25155	RHB-57	B16C28S15036	RHB-56
B12C21S04814	RHB-55	B14C25S00643	RHB-53	B3C14S00565	RHB-51
B12C21S05336	RHB-55	B14C25S00977	RHB-53	B3C14S00565G-1.5G	QG-17
B12C21S08598	RHB-55	B14C25S01505	RHB-53	B3C14S00565G-2G	QG-17
B12C21S09744	RHB-56	B14C25S01984	RHB-54	B3C14S01799	RHB-51
B12C21S11434	RHB-56	B14C25S02658	RHB-54	B3C14S01799G-1.5G	QG-17
B12C21S13607	RHB-56	B14C25S03110	RHB-54	B3C14S01799G-2G	QG-17
B12C21S17580	RHB-56	B14C25S04138	RHB-55	B3C18S00565	RHB-51
B12C21S20418	RHB-57	B14C25S05657	RHB-55	B3C18S00565G-3G	QG-17
B12C21S24202	RHB-57	B14C25S07380	RHB-55	B3C18S00565G-5G	QG-17
B12C25S00710	RHB-53	B14C25S10153	RHB-56	B3C56S00565	RHB-51
B12C25S01088	RHB-53	B14C25S14241	RHB-56	B3C56S00565G-5G	QG-16
B12C25S01513	RHB-53	B14C25S20438	RHB-57	B3C56S00565G-.75G	QG-16
B12C25S01992	RHB-54	B14C28S00643	RHB-53	B3C56S00565G-1G	QG-17
B12C25S02702	RHB-54	B14C28S00977	RHB-53	B3C56S01591	RHB-51
B12C25S03061	RHB-54	B14C28S01505	RHB-53	B3C56S01591G-.5G	QG-16
B12C25S03592	RHB-54	B14C28S01984	RHB-54	B3C56S01591G-.75G	QG-16

PART NUMBER INDEX



Part Number	Page	Part Number	Page	Part Number	Page
B3C56S01591G-1G	QG-17	B8C14S10338G-1.5G	QG-17	BF10C21T05208	RHB-60
B3C56S03159	RHB-51	B8C14S10338G-2G	QG-17	BF10C21T06122	RHB-60
B3C56S03159G-.5G	QG-16	B8C14S12042	RHB-51	BF10C21T07024	RHB-60
B3C56S03159G-.75G	QG-16	B8C14S12042G-1.5G	QG-17	BF10C21T08985	RHB-61
B3C56S03159G-1G	QG-17	B8C14S12042G-2G	QG-17	BF10C21T10852	RHB-61
B4C14S02890	RHB-51	B8C14S14458	RHB-51	BF10C21T12886	RHB-61
B4C14S02890G-1.5G	QG-17	B8C14S14458G-1.5G	QG-17	BF10C21T16351	RHB-61
B4C14S02890G-2G	QG-17	B8C14S14458G-2G	QG-17	BF10C25T00768	RHB-58
B4C14S06008	RHB-51	B8C18S05837	RHB-51	BF10C25T01097	RHB-58
B4C14S06008G-1.5G	QG-17	B8C18S05837G-3G	QG-17	BF10C25T01675	RHB-58
B4C18S00722	RHB-51	B8C18S05837G-5G	QG-17	BF10C25T01936	RHB-59
B4C18S00722G-3G	QG-17	B8C18S07545	RHB-51	BF10C25T02648	RHB-59
B4C18S00722G-5G	QG-17	B8C18S07545G-3G	QG-17	BF10C25T03644	RHB-59
B4C18S01542	RHB-51	B8C18S07545G-5G	QG-17	BF10C25T04444	RHB-60
B4C18S01542G-3G	QG-17	B8C18S08421	RHB-51	BF10C25T05208	RHB-60
B4C18S01542G-5G	QG-17	B8C18S08421G-3G	QG-17	BF10C25T06122	RHB-60
B4C56S05449	RHB-51	B8C21S00554	RHB-51	BF10C25T07024	RHB-60
B4C56S05449G-.5G	QG-16	B8C21S00554G-10G	QG-17	BF10C25T08985	RHB-61
B4C56S05449G-.75G	QG-16	B8C21S00554G-7.5G	QG-17	BF10C25T10852	RHB-61
B4C56S05449G-1G	QG-17	B8C21S01404	RHB-51	BF10C25T12886	RHB-61
B4C56S08325	RHB-51	B8C21S01404G-10G	QG-17	BF12C18T01088	RHB-58
B4C56S08325G-.5G	QG-16	B8C21S01404G-7.5G	QG-17	BF12C18T01992	RHB-59
B4C56S08325G-.75G	QG-16	B8C21S02850	RHB-51	BF12C18T02702	RHB-59
B4C56S08325G-1G	QG-17	B8C21S02850G-10G	QG-17	BF12C18T03061	RHB-59
B6C14S03939	RHB-51	B8C21S02850G-7.5G	QG-17	BF12C18T03592	RHB-59
B6C14S03939G-1.5G	QG-17	B8C56S19324	RHB-51	BF12C18T08598	RHB-60
B6C14S03939G-2G	QG-17	B8C56S19324G-.5G	QG-16	BF12C18T09744	RHB-61
B6C14S05823	RHB-51	B8C56S19324G-.75G	QG-16	BF12C18T11434	RHB-61
B6C14S05823G-1.5G	QG-17	B8C56S19324G-1G	QG-17	BF12C18T13607	RHB-61
B6C14S05823G-2G	QG-17	B8C56S30268	RHB-51	BF12C18T17580	RHB-61
B6C14S08340	RHB-51	B8C56S30268G-.5G	QG-16	BF12C18T20418	RHB-62
B6C14S08340G-1.5G	QG-17	B8C56S30268G-.75G	QG-16	BF12C18T24202	RHB-62
B6C14S08340G-2G	QG-17	B8C56S30268G-1G	QG-17	BF12C18T29538	RHB-62
B6C18S00644	RHB-51	BF10C18T01097	RHB-58	BF12C21T00710	RHB-58
B6C18S00644G-3G	QG-17	BF10C18T01675	RHB-58	BF12C21T01088	RHB-58
B6C18S00644G-5G	QG-17	BF10C18T01963	RHB-59	BF12C21T01513	RHB-58
B6C18S02799	RHB-51	BF10C18T02648	RHB-59	BF12C21T01992	RHB-59
B6C18S02799G-3G	QG-17	BF10C18T04444	RHB-60	BF12C21T02702	RHB-59
B6C18S02799G-5G	QG-17	BF10C18T05208	RHB-60	BF12C21T03061	RHB-59
B6C56S09955	RHB-51	BF10C18T06122	RHB-60	BF12C21T03592	RHB-59
B6C56S09955G-.5G	QG-16	BF10C18T07024	RHB-60	BF12C21T04138	RHB-60
B6C56S09955G-.75G	QG-16	BF10C18T08985	RHB-61	BF12C21T04814	RHB-60
B6C56S09955G-1G	QG-17	BF10C18T10852	RHB-61	BF12C21T05336	RHB-60
B6C56S15098	RHB-51	BF10C18T12886	RHB-61	BF12C21T08598	RHB-60
B6C56S15098G-.5G	QG-16	BF10C18T16351	RHB-61	BF12C21T09744	RHB-61
B6C56S15098G-.75G	QG-16	BF10C18T20111	RHB-62	BF12C21T11434	RHB-61
B6C56S15098G-1G	QG-17	BF10C18T24347	RHB-62	BF12C21T13607	RHB-61
B6C56S24372	RHB-51	BF10C21T00768	RHB-58	BF12C21T17580	RHB-61
B6C56S24372G-.5G	QG-16	BF10C21T01097	RHB-58	BF12C21T20418	RHB-62
B6C56S24372G-.75G	QG-16	BF10C21T01675	RHB-58	BF12C21T24202	RHB-62
B8C14S08421	RHB-51	BF10C21T01963	RHB-59	BF12C25T00710	RHB-58
B8C14S08421G-1.5G	QG-17	BF10C21T02648	RHB-59	BF12C25T01088	RHB-58
B8C14S08421G-2G	QG-17	BF10C21T03644	RHB-59	BF12C25T01513	RHB-58
B8C14S10338	RHB-51	BF10C21T04444	RHB-60	BF12C25T01992	RHB-59

PART NUMBER INDEX



Part Number	Page	Part Number	Page	Part Number	Page
BF12C25T02702	RHB-59	BF14C28T00977	RHB-58	BF3C56T01591	RHB-52
BF12C25T03061	RHB-59	BF14C28T01505	RHB-58	BF3C56T01591G-.5G	QG-20
BF12C25T03592	RHB-59	BF14C28T01984	RHB-59	BF3C56T01591G-.75G	QG-20
BF12C25T04138	RHB-60	BF14C28T02658	RHB-59	BF3C56T01591G-1G	QG-21
BF12C25T04814	RHB-60	BF14C28T03110	RHB-59	BF3C56T03159	RHB-52
BF12C25T05336	RHB-60	BF14C28T04138	RHB-60	BF3C56T03159G-.5G	QG-20
BF12C25T08598	RHB-60	BF14C28T05657	RHB-60	BF3C56T03159G-.75G	QG-20
BF12C25T09744	RHB-61	BF14C28T07380	RHB-60	BF3C56T03159G-1G	QG-21
BF12C25T11434	RHB-61	BF14C28T10153	RHB-61	BF4C14T01195	RHB-52
BF12C25T13607	RHB-61	BF14C28T14241	RHB-61	BF4C14T02254	RHB-52
BF12C25T17580	RHB-61	BF16C21T01017	RHB-58	BF4C14T02890	RHB-52
BF12C28T00710	RHB-58	BF16C21T02190	RHB-59	BF4C14T02890G-1.5G	QG-21
BF12C28T01088	RHB-58	BF16C21T03253	RHB-59	BF4C14T02890G-2G	QG-21
BF12C28T01513	RHB-58	BF16C21T05318	RHB-60	BF4C14T06008	RHB-52
BF12C28T01992	RHB-59	BF16C21T07949	RHB-60	BF4C14T06008G-1.5G	QG-21
BF12C28T02702	RHB-59	BF16C21T10418	RHB-61	BF4C18T00722	RHB-52
BF12C28T03061	RHB-59	BF16C21T15036	RHB-61	BF4C18T00722G-3G	QG-21
BF12C28T03592	RHB-59	BF16C21T19954	RHB-62	BF4C18T00722G-5G	QG-21
BF12C28T04138	RHB-60	BF16C21T22615	RHB-62	BF4C18T01542	RHB-52
BF12C28T04814	RHB-60	BF16C21T28795	RHB-62	BF4C18T01542G-3G	QG-21
BF12C28T05336	RHB-60	BF16C25T00661	RHB-58	BF4C18T01542G-5G	QG-21
BF12C28T08598	RHB-60	BF16C25T01017	RHB-58	BF4C56T05449	RHB-52
BF12C28T09744	RHB-61	BF16C25T01621	RHB-58	BF4C56T05449G-.5G	QG-20
BF12C28T11434	RHB-61	BF16C25T02190	RHB-59	BF4C56T05449G-.75G	QG-20
BF12C28T13607	RHB-61	BF16C25T03253	RHB-59	BF4C56T05449G-1G	QG-21
BF14C18T02658	RHB-59	BF16C25T04515	RHB-60	BF4C56T08325	RHB-52
BF14C18T07380	RHB-60	BF16C25T05318	RHB-60	BF4C56T08325G-.5G	QG-20
BF14C18T10153	RHB-61	BF16C25T07949	RHB-60	BF4C56T08325G-.75G	QG-20
BF14C18T14241	RHB-61	BF16C25T10418	RHB-61	BF4C56T08325G-1G	QG-21
BF14C18T20438	RHB-62	BF16C25T15036	RHB-61	BF4L14T01015	RHB-52
BF14C18T25155	RHB-62	BF16C25T19954	RHB-62	BF4L14T01679	RHB-52
BF14C18T30608	RHB-62	BF16C28T00661	RHB-58	BF4L14T04060	RHB-52
BF14C21T01505	RHB-58	BF16C28T01017	RHB-58	BF4L14T07545	RHB-52
BF14C21T01984	RHB-59	BF16C28T01621	RHB-58	BF6C14T03939	RHB-52
BF14C21T02658	RHB-59	BF16C28T02190	RHB-59	BF6C14T03939G-1.5G	QG-21
BF14C21T05657	RHB-60	BF16C28T03253	RHB-59	BF6C14T03939G-2G	QG-21
BF14C21T07380	RHB-60	BF16C28T04515	RHB-60	BF6C14T05823	RHB-52
BF14C21T10153	RHB-61	BF16C28T05318	RHB-60	BF6C14T05823G-1.5G	QG-21
BF14C21T14241	RHB-61	BF16C28T07949	RHB-60	BF6C14T05823G-2G	QG-21
BF14C21T20438	RHB-62	BF16C28T10418	RHB-61	BF6C14T08340	RHB-52
BF14C21T25155	RHB-62	BF16C28T15036	RHB-61	BF6C14T08340G-1.5G	QG-21
BF14C25T00643	RHB-58	BF3C14T00565	RHB-52	BF6C14T08340G-2G	QG-21
BF14C25T00977	RHB-58	BF3C14T00565G-1.5G	QG-21	BF6C18T00644	RHB-52
BF14C25T01505	RHB-58	BF3C14T00565G-2G	QG-21	BF6C18T00644G-3G	QG-21
BF14C25T01984	RHB-59	BF3C14T01799	RHB-52	BF6C18T00644G-5G	QG-21
BF14C25T02658	RHB-59	BF3C14T01799G-1.5G	QG-21	BF6C18T02799	RHB-52
BF14C25T03110	RHB-59	BF3C14T01799G-2G	QG-21	BF6C18T02799G-3G	QG-21
BF14C25T04138	RHB-60	BF3C18T00565	RHB-52	BF6C18T02799G-5G	QG-21
BF14C25T05657	RHB-60	BF3C18T00565G-3G	QG-21	BF6C56T09955	RHB-52
BF14C25T07380	RHB-60	BF3C18T00565G-5G	QG-21	BF6C56T09955G-.5G	QG-20
BF14C25T10153	RHB-61	BF3C56T00565	RHB-52	BF6C56T09955G-.75G	QG-20
BF14C25T14241	RHB-61	BF3C56T00565G-.5G	QG-20	BF6C56T09955G-1G	QG-21
BF14C25T20438	RHB-62	BF3C56T00565G-.75G	QG-20	BF6C56T15098	RHB-52
BF14C28T00643	RHB-58	BF3C56T00565G-1G	QG-21	BF6C56T15098G-.5G	QG-20

PART NUMBER INDEX



Part Number	Page	Part Number	Page	Part Number	Page
BF6C56T15098G-.75G	QG-20	H_1082GH132N4	ILH-351	H_1083SI160	ILH-351
BF6C56T15098G-1G	QG-21	H_1082GH160P4	ILH-351	H_1083SI80	ILH-351
BF6C56T24372	RHB-52	H_1082GH160Q4	ILH-351	H_1083SI90	ILH-351
BF6C56T24372G-.5G	QG-20	H_1082GH180R4	ILH-351	H_1083SM100	ILH-351
BF6C56T24372G-.75G	QG-20	H_1082GH180S4	ILH-351	H_1083SM112	ILH-351
BF6L14T03939	RHB-52	H_1082GH200T4	ILH-351	H_1083SM132	ILH-351
BF8C14T08421	RHB-52	H_1082LI112D	ILH-351	H_1083SM160	ILH-351
BF8C14T08421G-1.5G	QG-21	H_1082LI132D	ILH-351	H_1083SM80	ILH-351
BF8C14T08421G-2G	QG-21	H_1082LI160D	ILH-351	H_1083SM90	ILH-351
BF8C14T10338	RHB-52	H_1082LI180D	ILH-351	H_1282CI132D	ILH-353
BF8C14T10338G-1.5G	QG-21	H_1082LI200D	ILH-351	H_1282CI160D	ILH-353
BF8C14T10338G-2G	QG-21	H_1082LN210TC	ILH-351	H_1282CI180D	ILH-353
BF8C14T12042	RHB-52	H_1082LN250TC	ILH-351	H_1282CI200D	ILH-353
BF8C14T12042G-1.5G	QG-21	H_1082LN280TC	ILH-351	H_1282CN210TC	ILH-353
BF8C14T12042G-2G	QG-21	H_1082SI112	ILH-351	H_1282CN250TC	ILH-353
BF8C14T14458	RHB-52	H_1082SI132	ILH-351	H_1282CN280TC	ILH-353
BF8C14T14458G-1.5G	QG-21	H_1082SI160	ILH-351	H_1282CN320TC	ILH-353
BF8C14T14458G-2G	QG-21	H_1082SI180	ILH-351	H_1282GH132M4	ILH-353
BF8C18T05837	RHB-52	H_1082SM112	ILH-351	H_1282GH132N4	ILH-353
BF8C18T05837G-3G	QG-21	H_1082SM132	ILH-351	H_1282GH160P4	ILH-353
BF8C18T05837G-5G	QG-21	H_1082SM160	ILH-351	H_1282GH160Q4	ILH-353
BF8C18T07545	RHB-52	H_1082SM180	ILH-351	H_1282GH180R4	ILH-353
BF8C18T07545G-3G	QG-21	H_1083CI100D	ILH-351	H_1282GH180S4	ILH-353
BF8C18T07545G-5G	QG-21	H_1083CI112D	ILH-351	H_1282GH200T4	ILH-353
BF8C18T08421	RHB-52	H_1083CI132D	ILH-351	H_1282GH225U4	ILH-353
BF8C18T08421G-3G	QG-21	H_1083CI160D	ILH-351	H_1282LI132D	ILH-353
BF8C21T00554	RHB-52	H_1083CI180D	ILH-351	H_1282LI160D	ILH-353
BF8C21T00554G-10G	QG-21	H_1083CI90D	ILH-351	H_1282LI180D	ILH-353
BF8C21T00554G-7.5G	QG-21	H_1083CN140TC	ILH-351	H_1282LI200D	ILH-353
BF8C21T01404	RHB-52	H_1083CN180TC	ILH-351	H_1282LI225D	ILH-353
BF8C21T01404G-10G	QG-21	H_1083CN210TC	ILH-351	H_1282LN210TC	ILH-353
BF8C21T01404G-7.5G	QG-21	H_1083CN250TC	ILH-351	H_1282LN250TC	ILH-353
BF8C21T02850	RHB-52	H_1083GH100J4	ILH-352	H_1282LN280TC	ILH-353
BF8C21T02850G-10G	QG-21	H_1083GH112L4	ILH-352	H_1282LN320TC	ILH-353
BF8C21T02850G-7.5G	QG-21	H_1083GH132M4	ILH-352	H_1282SI132	ILH-353
BF8C56T19324	RHB-52	H_1083GH132N4	ILH-352	H_1282SI160	ILH-353
BF8C56T19324G-.5G	QG-20	H_1083GH160P4	ILH-352	H_1282SI180	ILH-353
BF8C56T19324G-.75G	QG-20	H_1083GH160Q4	ILH-352	H_1282SI225	ILH-353
BF8C56T19324G-1G	QG-21	H_1083GH80G4	ILH-351	H_1282SM132	ILH-353
BF8C56T24613	RHB-52	H_1083GH90H4	ILH-351	H_1282SM160	ILH-353
BF8C56T30268	RHB-52	H_1083GH90I4	ILH-352	H_1282SM180	ILH-353
BF8C56T30268G-.5G	QG-20	H_1083LI100D	ILH-351	H_1282SM225	ILH-353
BF8C56T30268G-.75G	QG-20	H_1083LI112D	ILH-351	H_1283CI100D	ILH-353
BF8C56T30268G-1G	QG-21	H_1083LI132D	ILH-351	H_1283CI112D	ILH-353
H_1082CI112D	ILH-351	H_1083LI160D	ILH-351	H_1283CI132D	ILH-353
H_1082CI132D	ILH-351	H_1083LI180D	ILH-351	H_1283CI160D	ILH-353
H_1082CI160D	ILH-351	H_1083LI90D	ILH-351	H_1283CI180D	ILH-353
H_1082CI180D	ILH-351	H_1083LN140TC	ILH-351	H_1283CI200D	ILH-353
H_1082CI200D	ILH-351	H_1083LN180TC	ILH-351	H_1283CI90D	ILH-353
H_1082CN210TC	ILH-351	H_1083LN210TC	ILH-351	H_1283CN140TC	ILH-353
H_1082CN250TC	ILH-351	H_1083LN250TC	ILH-351	H_1283CN180TC	ILH-353
H_1082CN280TC	ILH-351	H_1083SI100	ILH-351	H_1283CN210TC	ILH-353
H_1082GH112L4	ILH-351	H_1083SI112	ILH-351	H_1283CN250TC	ILH-353
H_1082GH132M4	ILH-351	H_1083SI132	ILH-351	H_1283CN280TC	ILH-353

PART NUMBER INDEX



Part Number	Page	Part Number	Page	Part Number	Page
H_1283GH100J4	ILH-354	H_1482LI180D	ILH-355	H_1483SI132	ILH-355
H_1283GH112L4	ILH-354	H_1482LI200D	ILH-355	H_1483SI160	ILH-355
H_1283GH132M4	ILH-354	H_1482LI225D	ILH-355	H_1483SI180	ILH-355
H_1283GH132N4	ILH-354	H_1482LI250D	ILH-355	H_1483SI225	ILH-355
H_1283GH160P4	ILH-354	H_1482LN210TC	ILH-355	H_1483SM100	ILH-355
H_1283GH160Q4	ILH-354	H_1482LN250TC	ILH-355	H_1483SM112	ILH-355
H_1283GH180R4	ILH-354	H_1482LN280TC	ILH-355	H_1483SM132	ILH-355
H_1283GH180S4	ILH-354	H_1482LN320TC	ILH-355	H_1483SM160	ILH-355
H_1283GH200T4	ILH-354	H_1482LN360TC	ILH-355	H_1483SM180	ILH-355
H_1283GH90H4	ILH-354	H_1482SI132	ILH-355	H_1483SM225	ILH-355
H_1283GH90I4	ILH-354	H_1482SI160	ILH-355	H_1682CI132D	ILH-357
H_1283LI100D	ILH-353	H_1482SI180	ILH-355	H_1682CI160D	ILH-357
H_1283LI112D	ILH-353	H_1482SI225	ILH-355	H_1682CI180D	ILH-357
H_1283LI132D	ILH-353	H_1482SI250	ILH-355	H_1682CI200D	ILH-357
H_1283LI160D	ILH-353	H_1482SM132	ILH-355	H_1682CN210TC	ILH-357
H_1283LI180D	ILH-353	H_1482SM160	ILH-355	H_1682CN250TC	ILH-357
H_1283LI200D	ILH-353	H_1482SM180	ILH-355	H_1682CN280TC	ILH-357
H_1283LI90D	ILH-353	H_1482SM225	ILH-355	H_1682CN320TC	ILH-357
H_1283LN140TC	ILH-353	H_1482SM250	ILH-355	H_1682CN360TC	ILH-357
H_1283LN180TC	ILH-353	H_1483CI100D	ILH-355	H_1682GH132M4	ILH-357
H_1283LN210TC	ILH-353	H_1483CI112D	ILH-355	H_1682GH132N4	ILH-357
H_1283LN250TC	ILH-353	H_1483CI132D	ILH-355	H_1682GH160P4	ILH-357
H_1283LN280TC	ILH-353	H_1483CI160D	ILH-355	H_1682GH160Q4	ILH-357
H_1283SI100	ILH-353	H_1483CI180D	ILH-355	H_1682GH180R4	ILH-357
H_1283SI112	ILH-353	H_1483CI200D	ILH-355	H_1682GH180S4	ILH-357
H_1283SI132	ILH-353	H_1483CN180TC	ILH-355	H_1682GH200T4	ILH-358
H_1283SI160	ILH-353	H_1483CN210TC	ILH-355	H_1682GH225U4	ILH-358
H_1283SI180	ILH-353	H_1483CN250TC	ILH-355	H_1682LI132D	ILH-357
H_1283SI90	ILH-353	H_1483CN280TC	ILH-355	H_1682LI160D	ILH-357
H_1283SM100	ILH-353	H_1483CN320TC	ILH-355	H_1682LI180D	ILH-357
H_1283SM112	ILH-353	H_1483GH100J4	ILH-356	H_1682LI200D	ILH-357
H_1283SM132	ILH-353	H_1483GH112L4	ILH-356	H_1682LI225D	ILH-357
H_1283SM160	ILH-353	H_1483GH132M4	ILH-356	H_1682LI250D	ILH-357
H_1283SM180	ILH-353	H_1483GH132N4	ILH-356	H_1682LN210TC	ILH-357
H_1283SM90	ILH-353	H_1483GH160P4	ILH-356	H_1682LN250TC	ILH-357
H_1482CI132D	ILH-355	H_1483GH160Q4	ILH-356	H_1682LN280TC	ILH-357
H_1482CI160D	ILH-355	H_1483GH180R4	ILH-356	H_1682LN320TC	ILH-357
H_1482CI180D	ILH-355	H_1483GH180S4	ILH-356	H_1682LN360TC	ILH-357
H_1482CI200D	ILH-355	H_1483GH200T4	ILH-356	H_1682SI132	ILH-357
H_1482CN210TC	ILH-355	H_1483GH225U4	ILH-356	H_1682SI160	ILH-357
H_1482CN250TC	ILH-355	H_1483LI100D	ILH-355	H_1682SI180	ILH-357
H_1482CN280TC	ILH-355	H_1483LI112D	ILH-355	H_1682SI225	ILH-357
H_1482CN320TC	ILH-355	H_1483LI132D	ILH-355	H_1682SI250	ILH-357
H_1482CN360TC	ILH-355	H_1483LI160D	ILH-355	H_1682SM132	ILH-357
H_1482GH132M4	ILH-355	H_1483LI180D	ILH-355	H_1682SM160	ILH-357
H_1482GH132N4	ILH-355	H_1483LI200D	ILH-355	H_1682SM180	ILH-357
H_1482GH160P4	ILH-355	H_1483LI225D	ILH-355	H_1682SM225	ILH-357
H_1482GH160Q4	ILH-356	H_1483LN180TC	ILH-355	H_1682SM250	ILH-357
H_1482GH180R4	ILH-356	H_1483LN210TC	ILH-355	H_1683CI132D	ILH-357
H_1482GH180S4	ILH-356	H_1483LN250TC	ILH-355	H_1683CI160D	ILH-357
H_1482GH200T4	ILH-356	H_1483LN280TC	ILH-355	H_1683CI180D	ILH-357
H_1482GH225U4	ILH-356	H_1483LN320TC	ILH-355	H_1683CI200D	ILH-357
H_1482LI132D	ILH-355	H_1483SI100	ILH-355	H_1683CN210TC	ILH-357
H_1482LI160D	ILH-355	H_1483SI112	ILH-355	H_1683CN250TC	ILH-357

PART NUMBER INDEX



Part Number	Page	Part Number	Page	Part Number	Page
H_1683CN280TC	ILH-357	H_381SI100	ILH-343	H_383SI90	ILH-343
H_1683CN320TC	ILH-357	H_381SI71	ILH-343	H_383SM71	ILH-343
H_1683CN360TC	ILH-357	H_381SI80	ILH-343	H_383SM80	ILH-343
H_1683GH132M4	ILH-358	H_381SI90	ILH-343	H_383SM90	ILH-343
H_1683GH132N4	ILH-358	H_381SM100	ILH-343	H_481CI100D	ILH-345
H_1683GH160P4	ILH-358	H_381SM71	ILH-343	H_481CI112D	ILH-345
H_1683GH160Q4	ILH-358	H_381SM80	ILH-343	H_481CI71D	ILH-345
H_1683GH180R4	ILH-358	H_381SM90	ILH-343	H_481CI80D	ILH-345
H_1683GH180S4	ILH-358	H_382CI100D	ILH-343	H_481CI90D	ILH-345
H_1683GH200T4	ILH-358	H_382CI71D	ILH-343	H_481CN140TC	ILH-345
H_1683GH225U4	ILH-358	H_382CI80D	ILH-343	H_481CN180TC	ILH-345
H_1683LI132D	ILH-357	H_382CI90D	ILH-343	H_481CN56C	ILH-345
H_1683LI160D	ILH-357	H_382CN140TC	ILH-343	H_481GH100J4	ILH-346
H_1683LI180D	ILH-357	H_382CN180TC	ILH-343	H_481GH112L4	ILH-346
H_1683LI200D	ILH-357	H_382CN56C	ILH-343	H_481GH71C4	ILH-346
H_1683LI225D	ILH-357	H_382GH100J4	ILH-344	H_481GH71D4	ILH-346
H_1683LI250D	ILH-357	H_382GH71C4	ILH-344	H_481GH71E4	ILH-346
H_1683LN210TC	ILH-357	H_382GH71D4	ILH-344	H_481GH80F4	ILH-346
H_1683LN250TC	ILH-357	H_382GH71E4	ILH-344	H_481GH80G4	ILH-346
H_1683LN280TC	ILH-357	H_382GH80F4	ILH-344	H_481GH90H4	ILH-346
H_1683LN320TC	ILH-357	H_382GH80G4	ILH-344	H_481GH90I4	ILH-346
H_1683LN360TC	ILH-357	H_382GH90H4	ILH-344	H_481LI100D	ILH-345
H_1683SI132	ILH-357	H_382GH90I4	ILH-344	H_481LI112D	ILH-345
H_1683SI160	ILH-357	H_382LI100D	ILH-343	H_481LI80D	ILH-345
H_1683SI180	ILH-357	H_382LI80D	ILH-343	H_481LI90D	ILH-345
H_1683SI225	ILH-357	H_382LI90D	ILH-343	H_481LN140TC	ILH-345
H_1683SI250	ILH-357	H_382LN140TC	ILH-343	H_481LN180TC	ILH-345
H_1683SM132	ILH-357	H_382LN56C	ILH-343	H_481LN56C	ILH-345
H_1683SM160	ILH-357	H_382SI100	ILH-343	H_481SI100	ILH-345
H_1683SM180	ILH-357	H_382SI71	ILH-343	H_481SI112	ILH-345
H_1683SM225	ILH-357	H_382SI80	ILH-343	H_481SI71	ILH-345
H_1683SM250	ILH-357	H_382SI90	ILH-343	H_481SI80	ILH-345
H_381CI100D	ILH-343	H_382SM100	ILH-343	H_481SI90	ILH-345
H_381CI71D	ILH-343	H_382SM71	ILH-343	H_481SM100	ILH-345
H_381CI80D	ILH-343	H_382SM80	ILH-343	H_481SM112	ILH-345
H_381CI90D	ILH-343	H_382SM90	ILH-343	H_481SM71	ILH-345
H_381CN140TC	ILH-343	H_383CI71D	ILH-343	H_481SM80	ILH-345
H_381CN180TC	ILH-343	H_383CI80D	ILH-343	H_481SM90	ILH-345
H_381CN56C	ILH-343	H_383CI90D	ILH-343	H_482CI100D	ILH-345
H_381GH100J4	ILH-344	H_383CN140TC	ILH-343	H_482CI112D	ILH-345
H_381GH71C4	ILH-343	H_383CN56C	ILH-343	H_482CI71D	ILH-345
H_381GH71D4	ILH-343	H_383GH71C4	ILH-344	H_482CI80D	ILH-345
H_381GH71E4	ILH-343	H_383GH71D4	ILH-344	H_482CI90D	ILH-345
H_381GH80F4	ILH-343	H_383GH71E4	ILH-344	H_482CN140TC	ILH-345
H_381GH80G4	ILH-343	H_383GH80F4	ILH-344	H_482CN180TC	ILH-345
H_381GH90H4	ILH-344	H_383GH80G4	ILH-344	H_482CN56C	ILH-345
H_381GH90I4	ILH-344	H_383GH90H4	ILH-344	H_482GH100J4	ILH-346
H_381LI100D	ILH-343	H_383GH90I4	ILH-344	H_482GH112L4	ILH-346
H_381LI71D	ILH-343	H_383LI80D	ILH-343	H_482GH71C4	ILH-346
H_381LI80D	ILH-343	H_383LI90D	ILH-343	H_482GH71D4	ILH-346
H_381LI90D	ILH-343	H_383LN140TC	ILH-343	H_482GH71E4	ILH-346
H_381LN140TC	ILH-343	H_383LN56C	ILH-343	H_482GH80F4	ILH-346
H_381LN180TC	ILH-343	H_383SI71	ILH-343	H_482GH80G4	ILH-346
H_381LN56C	ILH-343	H_383SI80	ILH-343	H_482GH90H4	ILH-346

PART NUMBER INDEX



Part Number	Page	Part Number	Page	Part Number	Page
H_482GH90I4	ILH-346	H_681CN180TC	ILH-347	H_682GH90H4	ILH-348
H_482LI100D	ILH-345	H_681CN210TC	ILH-347	H_682GH90I4	ILH-348
H_482LI112D	ILH-345	H_681CN56C	ILH-347	H_682LI100D	ILH-347
H_482LI80D	ILH-345	H_681GH100J4	ILH-348	H_682LI112D	ILH-347
H_482LI90D	ILH-345	H_681GH112L4	ILH-348	H_682LI132D	ILH-347
H_482LN140TC	ILH-345	H_681GH132M4	ILH-348	H_682LI90D	ILH-347
H_482LN180TC	ILH-345	H_681GH132N4	ILH-348	H_682LN140TC	ILH-347
H_482LN56C	ILH-345	H_681GH71C4	ILH-348	H_682LN180TC	ILH-347
H_482SI100	ILH-345	H_681GH71D4	ILH-348	H_682LN210TC	ILH-347
H_482SI112	ILH-345	H_681GH71E4	ILH-348	H_682LN56C	ILH-347
H_482SI71	ILH-345	H_681GH80F4	ILH-348	H_682SI100	ILH-348
H_482SI80	ILH-345	H_681GH80G4	ILH-348	H_682SI112	ILH-348
H_482SI90	ILH-345	H_681GH90H4	ILH-348	H_682SI132	ILH-348
H_482SM100	ILH-345	H_681GH90I4	ILH-348	H_682SI71	ILH-347
H_482SM112	ILH-345	H_681LI100D	ILH-347	H_682SI80	ILH-347
H_482SM71	ILH-345	H_681LI112D	ILH-347	H_682SI90	ILH-348
H_482SM80	ILH-345	H_681LI132D	ILH-347	H_682SM100	ILH-348
H_482SM90	ILH-345	H_681LI80D	ILH-347	H_682SM112	ILH-348
H_483CI100D	ILH-345	H_681LI90D	ILH-347	H_682SM132	ILH-348
H_483CI71D	ILH-345	H_681LN140TC	ILH-347	H_682SM71	ILH-347
H_483CI80D	ILH-345	H_681LN180TC	ILH-347	H_682SM80	ILH-347
H_483CI90D	ILH-345	H_681LN210TC	ILH-347	H_682SM90	ILH-348
H_483CN140TC	ILH-345	H_681LN56C	ILH-347	H_683CI100D	ILH-347
H_483CN180TC	ILH-345	H_681SI100	ILH-347	H_683CI71D	ILH-347
H_483CN56C	ILH-345	H_681SI112	ILH-347	H_683CI80D	ILH-347
H_483GH100J4	ILH-346	H_681SI132	ILH-347	H_683CN140TC	ILH-347
H_483GH71C4	ILH-346	H_681SI71	ILH-347	H_683CN180TC	ILH-347
H_483GH71D4	ILH-346	H_681SI80	ILH-347	H_683CN56C	ILH-347
H_483GH71E4	ILH-346	H_681SI90	ILH-347	H_683GH100J4	ILH-348
H_483GH80F4	ILH-346	H_681SM100	ILH-347	H_683GH71C4	ILH-348
H_483GH80G4	ILH-346	H_681SM112	ILH-347	H_683GH71D4	ILH-348
H_483GH90H4	ILH-346	H_681SM132	ILH-347	H_683GH71E4	ILH-348
H_483GH90I4	ILH-346	H_681SM71	ILH-347	H_683GH80F4	ILH-348
H_483LI100D	ILH-345	H_681SM80	ILH-347	H_683GH80G4	ILH-348
H_483LI80D	ILH-345	H_681SM90	ILH-347	H_683GH90H4	ILH-348
H_483LI90D	ILH-345	H_682CI100D	ILH-347	H_683GH90I4	ILH-348
H_483LN140TC	ILH-345	H_682CI112D	ILH-347	H_683LI100D	ILH-347
H_483LN180TC	ILH-345	H_682CI132D	ILH-347	H_683LI80D	ILH-347
H_483LN56C	ILH-345	H_682CI71D	ILH-347	H_683LI90D	ILH-347
H_483SI100	ILH-346	H_682CI80D	ILH-347	H_683LN140TC	ILH-347
H_483SI71	ILH-346	H_682CI90D	ILH-347	H_683LN180TC	ILH-347
H_483SI80	ILH-346	H_682CN140TC	ILH-347	H_683LN56C	ILH-347
H_483SI90	ILH-346	H_682CN180TC	ILH-347	H_683SI100	ILH-348
H_483SM100	ILH-346	H_682CN210TC	ILH-347	H_683SI71	ILH-348
H_483SM71	ILH-346	H_682CN56C	ILH-347	H_683SI80	ILH-348
H_483SM80	ILH-346	H_682GH100J4	ILH-348	H_683SI90	ILH-348
H_483SM90	ILH-346	H_682GH112L4	ILH-348	H_683SM100	ILH-348
H_681CI100D	ILH-347	H_682GH132M4	ILH-348	H_683SM71	ILH-348
H_681CI112D	ILH-347	H_682GH132N4	ILH-348	H_683SM80	ILH-348
H_681CI132D	ILH-347	H_682GH71C4	ILH-348	H_683SM90	ILH-348
H_681CI71D	ILH-347	H_682GH71D4	ILH-348	H_881CI100D	ILH-349
H_681CI80D	ILH-347	H_682GH71E4	ILH-348	H_881CI112D	ILH-349
H_681CI90D	ILH-347	H_682GH80F4	ILH-348	H_881CI132D	ILH-349
H_681CN140TC	ILH-347	H_682GH80G4	ILH-348	H_881CI160D	ILH-349

PART NUMBER INDEX



Part Number	Page	Part Number	Page	Part Number	Page
H_881CI90D	ILH-349	H_882SI160	ILH-350	H10C18S15070	ILH-77
H_881CN140TC	ILH-349	H_882SI90	ILH-349	H10C18S17578	ILH-77
H_881CN180TC	ILH-349	H_882SM100	ILH-349	H10C18S19121	ILH-77
H_881CN210TC	ILH-349	H_882SM112	ILH-350	H10C18S23519	ILH-77
H_881CN250TC	ILH-349	H_882SM132	ILH-350	H10C21S00641	ILH-73
H_881GH90H4	ILH-350	H_882SM160	ILH-350	H10C21S00962	ILH-73
H_881LI100D	ILH-349	H_882SM90	ILH-349	H10C21S01463	ILH-73
H_881LI112D	ILH-349	H_883CI100D	ILH-349	H10C21S01719	ILH-74
H_881LI132D	ILH-349	H_883CI112D	ILH-349	H10C21S01948	ILH-74
H_881LI160D	ILH-349	H_883CI132D	ILH-349	H10C21S02494	ILH-74
H_881LI90D	ILH-349	H_883CI71D	ILH-349	H10C21S03281	ILH-75
H_881LN140TC	ILH-349	H_883CI80D	ILH-349	H10C21S03779	ILH-75
H_881LN180TC	ILH-349	H_883CI90D	ILH-349	H10C21S04082	ILH-75
H_881LN210TC	ILH-349	H_883CN140TC	ILH-349	H10C21S04431	ILH-75
H_881LN250TC	ILH-349	H_883CN180TC	ILH-349	H10C21S05197	ILH-75
H_881SI100	ILH-349	H_883CN210TC	ILH-349	H10C21S06090	ILH-72, ILH-76
H_881SI112	ILH-349	H_883CN56C	ILH-349	H10C21S08214	ILH-76
H_881SI132	ILH-349	H_883GH100J4	ILH-350	H10C21S09694	ILH-76
H_881SI160	ILH-349	H_883GH112L4	ILH-350	H10C21S12690	ILH-76
H_881SI90	ILH-349	H_883GH132M4	ILH-350	H10C25S00641	ILH-73
H_881SM100	ILH-349	H_883GH71C4	ILH-350	H10C25S00962	ILH-73
H_881SM112	ILH-349	H_883GH71D4	ILH-350	H10C25S01463	ILH-73
H_881SM132	ILH-349	H_883GH71E4	ILH-350	H10C25S01719	ILH-74
H_881SM160	ILH-349	H_883GH80F4	ILH-350	H10C25S01948	ILH-74
H_881SM90	ILH-349	H_883GH80G4	ILH-350	H10C25S02494	ILH-74
H_882CH100D	ILH-349	H_883GH90H4	ILH-350	H10C25S03281	ILH-75
H_882CI112D	ILH-349	H_883GH90I4	ILH-350	H10C25S05197	ILH-75
H_882CI132D	ILH-349	H_883LI100D	ILH-349	H10C25S06090	ILH-76
H_882CI160D	ILH-349	H_883LI112D	ILH-349	H10C28S00641	ILH-73
H_882CI90D	ILH-349	H_883LI132D	ILH-349	H10C28S00962	ILH-73
H_882CN140TC	ILH-349	H_883LI80D	ILH-349	H10C28S01463	ILH-73
H_882CN180TC	ILH-349	H_883LI90D	ILH-349	H10C28S01719	ILH-74
H_882CN210TC	ILH-349	H_883LN140TC	ILH-349	H10C28S01948	ILH-74
H_882CN250TC	ILH-349	H_883LN180TC	ILH-349	H10C28S02494	ILH-74
H_882GH100J4	ILH-350	H_883LN210TC	ILH-349	H12C18S05756	ILH-75
H_882GH112L4	ILH-350	H_883LN56C	ILH-349	H12C18S06643	ILH-76
H_882GH132M4	ILH-350	H_883SI100	ILH-350	H12C18S07806	ILH-76
H_882GH132N4	ILH-350	H_883SI112	ILH-350	H12C18S10380	ILH-76
H_882GH160P4	ILH-350	H_883SI132	ILH-350	H12C18S12353	ILH-76
H_882GH160Q4	ILH-350	H_883SI71	ILH-350	H12C18S14899	ILH-77
H_882GH90H4	ILH-350	H_883SI80	ILH-350	H12C18S18536	ILH-77
H_882GH90I4	ILH-350	H_883SI90	ILH-350	H12C18S21972	ILH-77
H_882LI100D	ILH-349	H_883SM100	ILH-350	H12C18S26816	ILH-77
H_882LI112D	ILH-349	H_883SM112	ILH-350	H12C21S01078	ILH-73
H_882LI132D	ILH-349	H_883SM132	ILH-350	H12C21S01612	ILH-73
H_882LI160D	ILH-349	H_883SM71	ILH-350	H12C21S01864	ILH-74
H_882LI90D	ILH-349	H_883SM80	ILH-350	H12C21S02141	ILH-74
H_882LN140TC	ILH-349	H_883SM90	ILH-350	H12C21S02505	ILH-74
H_882LN180TC	ILH-349	H10C18S05197	ILH-75	H12C21S03028	ILH-75
H_882LN210TC	ILH-349	H10C18S06090	ILH-76	H12C21S03757	ILH-75
H_882LN250TC	ILH-349	H10C18S08214	ILH-76	H12C21S04096	ILH-75
H_882SI100	ILH-349	H10C18S09694	ILH-76	H12C21S05756	ILH-75
H_882SI112	ILH-350	H10C18S12690	ILH-76	H12C21S06643	ILH-76
H_882SI132	ILH-350	H10C18S14037	ILH-77	H12C21S07806	ILH-76

PART NUMBER INDEX



Part Number	Page	Part Number	Page	Part Number	Page
H12C21S10380	ILH-76	H14C25S10742	ILH-76	H3C14S00616G-1.5G	QG-7
H12C21S12353	ILH-76	H14C25S12337	ILH-76	H3C14S00616G-2G	QG-7
H12C21S14899	ILH-77	H14C25S15638	ILH-77	H3C14S00671	ILH-68
H12C21S18536	ILH-77	H14C28S00643	ILH-73	H3C14S00671G-1.5G	QG-7
H12C25S00483	ILH-73	H14C28S01148	ILH-73	H3C14S00671G-2G	QG-7
H12C25S00788	ILH-73	H14C28S01709	ILH-74	H3C14S00750	ILH-68
H12C25S01078	ILH-73	H14C28S02021	ILH-74	H3C14S00750G-1.5G	QG-7
H12C25S01612	ILH-73	H14C28S02649	ILH-74	H3C14S00750G-2G	QG-7
H12C25S01864	ILH-74	H14C28S03028	ILH-75	H3C14S00752	ILH-68
H12C25S02141	ILH-74	H14C28S03415	ILH-75	H3C14S00752G-1.5G	QG-7
H12C25S02505	ILH-74	H14C28S04544	ILH-75	H3C14S00752G-2G	QG-7
H12C25S03028	ILH-75	H14C28S06212	ILH-76	H3C14S00875	ILH-68
H12C25S03757	ILH-75	H14C28S08104	ILH-76	H3C14S00875G-1.5G	QG-7
H12C25S05756	ILH-75	H16C21S01544	ILH-73	H3C14S00875G-2G	QG-7
H12C25S06643	ILH-76	H16C21S01930	ILH-74	H3C14S00970	ILH-68
H12C25S07806	ILH-76	H16C21S02927	ILH-75	H3C14S00970G-1.5G	QG-7
H12C25S10380	ILH-76	H16C21S07975	ILH-76	H3C14S00970G-2G	QG-7
H12C28S00483	ILH-73	H16C21S10748	ILH-76	H3C14S01057	ILH-69
H12C28S00788	ILH-73	H16C21S14128	ILH-77	H3C14S01057G-1.5G	QG-9
H12C28S01078	ILH-73	H16C21S16372	ILH-77	H3C14S01057G-2G	QG-9
H12C28S01612	ILH-73	H16C21S21049	ILH-77	H3C14S01182	ILH-69
H12C28S01864	ILH-74	H16C21S25308	ILH-77	H3C14S01182G-1.5G	QG-9
H12C28S02141	ILH-74	H16C21S31341	ILH-77	H3C14S01182G-2G	QG-9
H12C28S02505	ILH-74	H16C25S01034	ILH-73	H3C14S01292	ILH-69
H12C28S03028	ILH-75	H16C25S01544	ILH-73	H3C14S01418	ILH-69
H12C28S03757	ILH-75	H16C25S01930	ILH-74	H3C14S01418G-1.5G	QG-9
H12C28S05756	ILH-75	H16C25S02927	ILH-75	H3C14S01418G-2G	QG-9
H14C18S08104	ILH-76	H16C25S04099	ILH-75	H3C14S01564	ILH-69
H14C18S12327	ILH-76	H16C25S05356	ILH-75	H3C14S01733	ILH-69
H14C18S15638	ILH-77	H16C25S07975	ILH-76	H3C14S01733G-1.5G	QG-9
H14C18S20976	ILH-77	H16C25S10748	ILH-76	H3C14S01733G-2G	QG-9
H14C18S23605	ILH-77	H16C25S14128	ILH-77	H3C14S01964	ILH-70
H14C18S33611	ILH-77	H16C25S16372	ILH-77	H3C14S01964G-1.5G	QG-9
H14C21S01709	ILH-74	H16C25S21049	ILH-77	H3C14S01964G-2G	QG-9
H14C21S02021	ILH-74	H16C25S25308	ILH-77	H3C14S02167	ILH-70
H14C21S02649	ILH-74	H16C28S00493	ILH-73	H3C14S02167G-1.5G	QG-9
H14C21S03028	ILH-75	H16C28S01034	ILH-73	H3C14S02167G-2G	QG-9
H14C21S06212	ILH-76	H16C28S01544	ILH-73	H3C14S02450	ILH-70
H14C21S08104	ILH-76	H16C28S01930	ILH-74	H3C14S02450G-1.5G	QG-11
H14C21S10742	ILH-76	H16C28S02927	ILH-75	H3C14S02450G-2G	QG-11
H14C21S12337	ILH-76	H16C28S03945	ILH-75	H3C14S02797	ILH-70
H14C21S15638	ILH-77	H16C28S04099	ILH-75	H3C14S02797G-1.5G	QG-11
H14C21S20976	ILH-77	H16C28S05356	ILH-75	H3C14S03180	ILH-71
H14C21S23605	ILH-77	H16C28S07975	ILH-76	H3C14S03180G-1.5G	QG-11
H14C25S00643	ILH-73	H16C28S10748	ILH-76	H3C14S03928	ILH-71
H14C25S01148	ILH-73	H16C28S14128	ILH-77	H3C18S00477	ILH-68
H14C25S01709	ILH-74	H16C28S16372	ILH-77	H3C18S00477G-3G	QG-7
H14C25S02021	ILH-74	H3C14S00477	ILH-68	H3C18S00477G-5G	QG-7
H14C25S02649	ILH-74	H3C14S00477G-1.5G	QG-7	H3C18S00671	ILH-68
H14C25S03028	ILH-75	H3C14S00477G-2G	QG-7	H3C18S00671G-3G	QG-7
H14C25S03415	ILH-75	H3C14S00555	ILH-68	H3C18S00671G-5G	QG-7
H14C25S04544	ILH-75	H3C14S00555G-1.5G	QG-7	H3C18S00750	ILH-68
H14C25S06212	ILH-76	H3C14S00555G-2G	QG-7	H3C18S00750G-3G	QG-7
H14C25S08104	ILH-76	H3C14S00616	ILH-68	H3C18S00750G-5G	QG-7

PART NUMBER INDEX



Part Number	Page	Part Number	Page	Part Number	Page
H3C18S00970	ILH-68	H3C56S03382G-.75G	QG-10	H4C14S03177G-1.5G	QG-11
H3C18S00970G-3G	QG-7	H3C56S03382G-1G	QG-11	H4C14S03177G-2G	QG-11
H3C18S01418	ILH-69	H3C56S03404	ILH-71	H4C14S03559	ILH-71
H3C18S01418G-3G	QG-9	H3C56S03924	ILH-71	H4C14S03559G-1.5G	QG-11
H3C56S00477	ILH-68	H3C56S03924G-.5G	QG-10	H4C14S03559G-2G	QG-11
H3C56S00477G-.5G	QG-6	H3C56S03924G-.75G	QG-10	H4C14S03706	ILH-71
H3C56S00477G-.75G	QG-6	H3C56S03928	ILH-71	H4C14S03706G-1.5G	QG-11
H3C56S00477G-1G	QG-7	H3C56S03928G-.5G	QG-10	H4C14S03706G-2G	QG-11
H3C56S00616	ILH-68	H3C56S03928G-.75G	QG-10	H4C14S04126	ILH-72
H3C56S00616G-.5G	QG-6	H3C56S03928G-1G	QG-11	H4C14S04126G-1.5G	QG-13
H3C56S00616G-.75G	QG-6	H3C56S04253	ILH-72	H4C14S04126G-2G	QG-13
H3C56S00616G-1G	QG-7	H3C56S04253G-.5G	QG-12	H4C14S04138	ILH-72
H3C56S00750	ILH-68	H3C56S04253G-.75G	QG-12	H4C14S04138G-1.5G	QG-13
H3C56S00750G-.5G	QG-6	H3C56S04253G-1G	QG-13	H4C14S04138G-2G	QG-13
H3C56S00750G-.75G	QG-6	H3C56S05830	ILH-72	H4C14S04591	ILH-72
H3C56S00750G-1G	QG-7	H3C56S05830G-.5G	QG-12	H4C14S04591G-1.5G	QG-13
H3C56S00970	ILH-68	H3C56S05830G-.75G	QG-12	H4C14S04591G-2G	QG-13
H3C56S00970G-.5G	QG-6	H4C14S00428	ILH-68	H4C14S05592	ILH-72
H3C56S00970G-.75G	QG-6	H4C14S00428G-1.5G	QG-7	H4C14S05592G-1.5G	QG-13
H3C56S00970G-1G	QG-7	H4C14S00428G-2G	QG-7	H4C18S00428	ILH-68
H3C56S01182	ILH-69	H4C14S00515	ILH-68	H4C18S00428G-3G	QG-7
H3C56S01182G-.5G	QG-8	H4C14S00515G-1.5G	QG-7	H4C18S00428G-5G	QG-7
H3C56S01182G-.75G	QG-8	H4C14S00515G-2G	QG-7	H4C18S00515	ILH-68
H3C56S01182G-1G	QG-9	H4C14S00606	ILH-68	H4C18S00515G-3G	QG-7
H3C56S01418	ILH-69	H4C14S00606G-1.5G	QG-7	H4C18S00515G-5G	QG-7
H3C56S01418G-.5G	QG-8	H4C14S00606G-2G	QG-7	H4C18S00606	ILH-68
H3C56S01418G-.75G	QG-8	H4C14S00829	ILH-68	H4C18S00606G-3G	QG-7
H3C56S01418G-1G	QG-9	H4C14S00829G-1.5G	QG-7	H4C18S00606G-5G	QG-7
H3C56S01733	ILH-69	H4C14S00829G-2G	QG-7	H4C18S00690	ILH-68
H3C56S01733G-.5G	QG-8	H4C14S00976	ILH-68	H4C18S00690G-3G	QG-7
H3C56S01733G-.75G	QG-8	H4C14S00976G-1.5G	QG-7	H4C18S00690G-5G	QG-7
H3C56S01733G-1G	QG-9	H4C14S00976G-2G	QG-7	H4C18S00829	ILH-68
H3C56S01964	ILH-70	H4C14S01093	ILH-69	H4C18S00829G-3G	QG-7
H3C56S01964G-.5G	QG-8	H4C14S01093G-1.5G	QG-9	H4C18S00829G-5G	QG-7
H3C56S01964G-.75G	QG-8	H4C14S01093G-2G	QG-9	H4C18S00976	ILH-68
H3C56S01964G-1G	QG-9	H4C14S01225	ILH-69	H4C18S00976G-3G	QG-7
H3C56S02167	ILH-70	H4C14S01225G-1.5G	QG-9	H4C18S00976G-5G	QG-7
H3C56S02167G-.5G	QG-8	H4C14S01225G-2G	QG-9	H4C18S01093	ILH-69
H3C56S02167G-.75G	QG-8	H4C14S01468	ILH-69	H4C18S01093G-3G	QG-9
H3C56S02167G-1G	QG-9	H4C14S01468G-1.5G	QG-9	H4C18S01093G-5G	QG-9
H3C56S02450	ILH-70	H4C14S01468G-2G	QG-9	H4C18S01225	ILH-69
H3C56S02450G-.5G	QG-10	H4C14S01755	ILH-69	H4C18S01225G-3G	QG-9
H3C56S02450G-.75G	QG-10	H4C14S01755G-1.5G	QG-9	H4C18S01225G-5G	QG-9
H3C56S02450G-1G	QG-11	H4C14S01755G-2G	QG-9	H4C18S01468	ILH-69
H3C56S02797	ILH-70	H4C14S02095	ILH-70	H4C18S01468G-3G	QG-9
H3C56S02797G-.5G	QG-10	H4C14S02095G-1.5G	QG-9	H4C18S01468G-5G	QG-9
H3C56S02797G-.75G	QG-10	H4C14S02095G-2G	QG-9	H4C18S01617	ILH-69
H3C56S02797G-1G	QG-11	H4C14S02653	ILH-70	H4C18S01755	ILH-69
H3C56S03180	ILH-71	H4C14S02653G-1.5G	QG-11	H4C18S01755G-3G	QG-9
H3C56S03180G-.5G	QG-10	H4C14S02653G-2G	QG-11	H4C18S01755G-5G	QG-9
H3C56S03180G-.75G	QG-10	H4C14S02874	ILH-70	H4C18S02095	ILH-70
H3C56S03180G-1G	QG-11	H4C14S02874G-1.5G	QG-11	H4C18S02095G-3G	QG-9
H3C56S03382	ILH-71	H4C14S02874G-2G	QG-11	H4C18S02095G-5G	QG-9
H3C56S03382G-.5G	QG-10	H4C14S03177	ILH-71	H4C18S02307	ILH-70

PART NUMBER INDEX



Part Number	Page	Part Number	Page	Part Number	Page
H4C18S02653	ILH-70	H4C56S07399	ILH-72	H6C18S02020G-5G	QG-9
H4C18S02653G-3G	QG-11	H4C56S07399G-.5G	QG-12	H6C18S02555	ILH-70
H4C18S02874	ILH-70	H4C56S07399G-.75G	QG-12	H6C18S02555G-3G	QG-11
H4C18S02874G-3G	QG-11	H4C56S07399G-1G	QG-13	H6C18S02825	ILH-70
H4C18S03177	ILH-71	H4C56S10252	ILH-72	H6C18S02825G-3G	QG-11
H4C18S03177G-3G	QG-11	H4C56S10252G-.5G	QG-12	H6C18S02825G-5G	QG-11
H4C56S01225	ILH-69	H4C56S10252G-.75G	QG-12	H6C18S03060	ILH-71
H4C56S01225G-.5G	QG-8	H4C56S10252G-1G	QG-13	H6C18S03060G-3G	QG-11
H4C56S01225G-.75G	QG-8	H4C56S13234	ILH-72	H6C18S03060G-5G	QG-11
H4C56S01225G-1G	QG-9	H4C56S13234G-.5G	QG-12	H6C18S03449	ILH-71
H4C56S01468	ILH-69	H4C56S13234G-.75G	QG-12	H6C18S03449G-3G	QG-11
H4C56S01468G-.5G	QG-8	H6C14S02555	ILH-70	H6C18S03449G-5G	QG-11
H4C56S01468G-.75G	QG-8	H6C14S02555G-1.5G	QG-11	H6C18S03780	ILH-71
H4C56S01468G-1G	QG-9	H6C14S02555G-2G	QG-11	H6C18S03780G-3G	QG-11
H4C56S01755	ILH-69	H6C14S03060	ILH-71	H6C18S03780G-5G	QG-11
H4C56S01755G-.5G	QG-8	H6C14S03060G-1.5G	QG-11	H6C18S04206	ILH-72
H4C56S01755G-.75G	QG-8	H6C14S03060G-2G	QG-11	H6C18S04206G-3G	QG-13
H4C56S01755G-1G	QG-9	H6C14S03449	ILH-71	H6C18S04541	ILH-72
H4C56S02095	ILH-70	H6C14S03449G-1.5G	QG-11	H6C18S04541G-3G	QG-13
H4C56S02095G-.5G	QG-8	H6C14S03449G-2G	QG-11	H6C21S00349	ILH-68
H4C56S02095G-.75G	QG-8	H6C14S03776	ILH-71	H6C21S00349G-10G	QG-7
H4C56S02095G-1G	QG-9	H6C14S03776G-1.5G	QG-11	H6C21S00349G-7.5G	QG-7
H4C56S02653	ILH-70	H6C14S04206	ILH-72	H6C21S00422	ILH-68
H4C56S02653G-.5G	QG-10	H6C14S04206G-1.5G	QG-13	H6C21S00422G-10G	QG-7
H4C56S02653G-.75G	QG-10	H6C14S04206G-2G	QG-13	H6C21S00422G-7.5G	QG-7
H4C56S02653G-1G	QG-11	H6C14S04809	ILH-72	H6C21S00506	ILH-68
H4C56S02874	ILH-70	H6C14S04809G-1.5G	QG-13	H6C21S00506G-10G	QG-7
H4C56S02874G-.5G	QG-10	H6C14S04809G-2G	QG-13	H6C21S00506G-7.5G	QG-7
H4C56S02874G-.75G	QG-10	H6C14S05347	ILH-72	H6C21S00593	ILH-68
H4C56S02874G-1G	QG-11	H6C14S05347G-1.5G	QG-13	H6C21S00593G-10G	QG-7
H4C56S03177	ILH-71	H6C14S05347G-2G	QG-13	H6C21S00593G-7.5G	QG-7
H4C56S03177G-.5G	QG-10	H6C14S05991	ILH-72	H6C21S00672	ILH-68
H4C56S03177G-.75G	QG-10	H6C14S05991G-1.5G	QG-13	H6C21S00672G-10G	QG-7
H4C56S03177G-1G	QG-11	H6C14S05991G-2G	QG-13	H6C21S00672G-7.5G	QG-7
H4C56S03706	ILH-71	H6C14S07330	ILH-72	H6C21S00811	ILH-68
H4C56S03706G-.5G	QG-10	H6C14S07330G-1.5G	QG-13	H6C21S00811G-10G	QG-7
H4C56S03706G-.75G	QG-10	H6C14S07330G-2G	QG-13	H6C21S00811G-7.5G	QG-7
H4C56S03706G-1G	QG-11	H6C18S00422	ILH-68	H6C21S00973	ILH-68
H4C56S04126	ILH-72	H6C18S00422G-3G	QG-7	H6C21S00973G-10G	QG-7
H4C56S04126G-.5G	QG-12	H6C18S00422G-5G	QG-7	H6C21S00973G-7.5G	QG-7
H4C56S04126G-.75G	QG-12	H6C18S01140	ILH-69	H6C21S01140	ILH-69
H4C56S04126G-1G	QG-13	H6C18S01140G-3G	QG-9	H6C21S01140G-10G	QG-9
H4C56S04591	ILH-72	H6C18S01140G-5G	QG-9	H6C21S01140G-7.5G	QG-9
H4C56S04591G-.5G	QG-12	H6C18S01359	ILH-69	H6C21S01359	ILH-69
H4C56S04591G-.75G	QG-12	H6C18S01359G-3G	QG-9	H6C21S01359G-10G	QG-9
H4C56S04591G-1G	QG-13	H6C18S01359G-5G	QG-9	H6C21S01359G-7.5G	QG-9
H4C56S05592	ILH-72	H6C18S01474	ILH-69	H6C21S01474	ILH-69
H4C56S05592G-.5G	QG-12	H6C18S01474G-3G	QG-9	H6C21S01474G-10G	QG-9
H4C56S05592G-.75G	QG-12	H6C18S01474G-5G	QG-9	H6C21S01474G-7.5G	QG-9
H4C56S05592G-1G	QG-13	H6C18S01645	ILH-69	H6C21S01645	ILH-69
H4C56S06114	ILH-72	H6C18S01645G-3G	QG-9	H6C21S01645G-10G	QG-9
H4C56S06114G-.5G	QG-12	H6C18S01645G-5G	QG-9	H6C21S01645G-7.5G	QG-9
H4C56S06114G-.75G	QG-12	H6C18S02020	ILH-70	H6C21S01782	ILH-69
H4C56S06114G-1G	QG-13	H6C18S02020G-3G	QG-9	H6C21S02020	ILH-70

PART NUMBER INDEX



Part Number	Page	Part Number	Page	Part Number	Page
H6C21S02020G-7.5G	QG-9	H8C25S00594	ILH-68	M12C21T02157	MSM-58
H6C21S02555	ILH-70	H8C25S00926	ILH-68	M12C21T02477	MSM-59
H6C21S02555G-7.5G	QG-11	H8C25S01085	ILH-69	M12C21T03683	MSM-59
H6C56S12641	ILH-72	H8C25S01727	ILH-69	M12C21T04321	MSM-59
H6C56S12641G-.5G	QG-12	H8C25S02501	ILH-70	M12C21T05057	MSM-60
H6C56S12641G-.75G	QG-12	M10C18T01459	MSM-58	M12C21T06203	MSM-60
H6C56S12641G-1G	QG-13	M10C18T01978	MSM-58	M12C21T07687	MSM-60
H8C14S07488	ILH-72	M10C18T02489	MSM-59	M12C21T09032	MSM-61
H8C14S07488G-1.5G	QG-13	M10C18T03654	MSM-59	M12C21T10235	MSM-61
H8C14S07488G-2G	QG-13	M10C18T04062	MSM-59	M12C21T15425	MSM-61
H8C18S02685	ILH-70	M10C18T05981	MSM-60	M12C21T18467	MSM-61
H8C18S02685G-3G	QG-11	M10C18T06648	MSM-60	M12C25T01056	MSM-58
H8C18S02685G-5G	QG-11	M10C18T07274	MSM-60	M12C25T01627	MSM-58
H8C18S03132	ILH-71	M10C18T09452	MSM-61	M12C25T02157	MSM-58
H8C18S03132G-3G	QG-11	M10C18T12093	MSM-61	M12C25T02477	MSM-59
H8C18S03132G-5G	QG-11	M10C18T14604	MSM-61	M12C25T03683	MSM-59
H8C18S03727	ILH-71	M10C18T20229	MSM-61	M12C25T04321	MSM-59
H8C18S03727G-3G	QG-11	M10C18T24077	MSM-61	M12C25T05057	MSM-60
H8C18S03727G-5G	QG-11	M10C21T01108	MSM-58	M12C25T06203	MSM-60
H8C18S04119	ILH-72	M10C21T01459	MSM-58	M12C25T07687	MSM-60
H8C18S04119G-3G	QG-13	M10C21T01978	MSM-58	M12C25T09032	MSM-61
H8C18S04119G-5G	QG-13	M10C21T02489	MSM-59	M12C25T10235	MSM-61
H8C18S05793	ILH-72	M10C21T03654	MSM-59	M12C28T01056	MSM-58
H8C18S05793G-3G	QG-13	M10C21T04062	MSM-59	M12C28T01627	MSM-58
H8C18S12979	ILH-72	M10C21T04904	MSM-60	M12C28T02157	MSM-58
H8C18S12979G-3G	QG-13	M10C21T05981	MSM-60	M12C28T02477	MSM-59
H8C21S00926	ILH-68	M10C21T06648	MSM-60	M12C28T03683	MSM-59
H8C21S00926G-10G	QG-7	M10C21T07274	MSM-60	M12C28T04321	MSM-59
H8C21S00926G-7.5G	QG-7	M10C21T09452	MSM-61	M12C28T05057	MSM-60
H8C21S01085	ILH-69	M10C21T12093	MSM-61	M14C18T10594	MSM-61
H8C21S01085G-10G	QG-9	M10C25T01108	MSM-58	M14C18T13428	MSM-61
H8C21S01085G-7.5G	QG-9	M10C25T01459	MSM-58	M14C18T14986	MSM-61
H8C21S01463	ILH-69	M10C25T01978	MSM-58	M14C18T20269	MSM-61
H8C21S01463G-10G	QG-9	M10C25T02489	MSM-59	M14C21T01468	MSM-58
H8C21S01463G-7.5G	QG-9	M10C25T03654	MSM-59	M14C21T01978	MSM-58
H8C21S01727	ILH-69	M10C25T04062	MSM-59	M14C21T02600	MSM-59
H8C21S01727G-10G	QG-9	M10C25T04904	MSM-60	M14C21T03039	MSM-59
H8C21S01727G-7.5G	QG-9	M10C25T05981	MSM-60	M14C21T04036	MSM-59
H8C21S01872	ILH-70	M10C28T01108	MSM-58	M14C21T05115	MSM-60
H8C21S01872G-10G	QG-9	M10C28T01459	MSM-58	M14C21T06053	MSM-60
H8C21S01872G-7.5G	QG-9	M10C28T01978	MSM-58	M14C21T07342	MSM-60
H8C21S02081	ILH-70	M10C28T02489	MSM-59	M14C21T07978	MSM-60
H8C21S02081G-10G	QG-9	M10C28T03654	MSM-59	M14C21T10594	MSM-61
H8C21S02081G-7.5G	QG-9	M12C18T02477	MSM-59	M14C21T13428	MSM-61
H8C21S02261	ILH-70	M12C18T03683	MSM-59	M14C21T14986	MSM-61
H8C21S02261G-10G	QG-11	M12C18T04321	MSM-59	M14C21T20269	MSM-61
H8C21S02261G-7.5G	QG-11	M12C18T06203	MSM-60	M14C25T00986	MSM-58
H8C21S02685	ILH-70	M12C18T07687	MSM-60	M14C25T01468	MSM-58
H8C21S02685G-10G	QG-11	M12C18T09032	MSM-61	M14C25T01978	MSM-58
H8C21S02685G-7.5G	QG-11	M12C18T10235	MSM-61	M14C25T02600	MSM-59
H8C21S03132	ILH-71	M12C18T15425	MSM-61	M14C25T03039	MSM-59
H8C21S03132G-10G	QG-11	M12C18T18467	MSM-61	M14C25T04036	MSM-59
H8C21S03132G-7.5G	QG-11	M12C21T01056	MSM-58	M14C25T05115	MSM-60
H8C25S00487	ILH-68	M12C21T01627	MSM-58	M14C25T06053	MSM-60

PART NUMBER INDEX



Part Number	Page	Part Number	Page	Part Number	Page
M14C25T07342	MSM-60	MW1082CN250TC	MSM-256	MW1083LI112D	MSM-256
M14C25T07978	MSM-60	MW1082CN280TC	MSM-256	MW1083LI132D	MSM-256
M14C25T10594	MSM-61	MW1082GH100J4	MSM-85, MSM-257	MW1083LI160D	MSM-256
M14C25T13428	MSM-61	MW1082GH112L4	MSM-88, MSM-257	MW1083LI80D	MSM-256
M14C25T14986	MSM-61	MW1082GH132M4	MSM-90, MSM-91, MSM-257	MW1083LI90D	MSM-256
M14C28T00986	MSM-58			MW1083LN140TC	MSM-256
M14C28T01468	MSM-58	MW1082GH132N4	MSM-94, MSM-257	MW1083LN180TC	MSM-256
M14C28T01978	MSM-58	MW1082GH190I4	MSM-257	MW1083LN210TC	MSM-256
M14C28T02600	MSM-59	MW1082GH90H4	MSM-78, MSM-79, MSM-257	MW1083LN250TC	MSM-256
M14C28T03039	MSM-59			MW1083SI100	MSM-256
M14C28T04036	MSM-59	MW1082GH90I4	MSM-82	MW1083SI112	MSM-256
M14C28T05115	MSM-60	MW1082LI100D	MSM-256	MW1083SI132	MSM-256
M14C28T06053	MSM-60	MW1082LI112D	MSM-256	MW1083SI160	MSM-256
M14C28T07978	MSM-60	MW1082LI132D	MSM-256	MW1083SI80	MSM-256
M14C28T10594	MSM-61	MW1082LI160D	MSM-256	MW1083SI90	MSM-256
M16C21T01451	MSM-58	MW1082LI180D	MSM-256	MW1083SM100	MSM-256
M16C21T02185	MSM-58	MW1082LI200D	MSM-256	MW1083SM112	MSM-256
M16C21T04203	MSM-59	MW1082LI90D	MSM-256	MW1083SM132	MSM-256
M16C21T06066	MSM-60	MW1082LN140TC	MSM-256	MW1083SM160	MSM-256
M16C21T07492	MSM-60	MW1082LN180TC	MSM-256	MW1083SM80	MSM-256
M16C21T10098	MSM-61	MW1082LN210TC	MSM-256	MW1083SM90	MSM-256
M16C21T15381	MSM-61	MW1082LN250TC	MSM-256	MW1282CI100D	MSM-258
M16C21T19775	MSM-61	MW1082LN280TC	MSM-256	MW1282CI112D	MSM-258
M16C25T00971	MSM-58	MW1082SI100	MSM-256	MW1282CI132D	MSM-258
M16C25T01451	MSM-58	MW1082SI112	MSM-256	MW1282CI160D	MSM-258
M16C25T02185	MSM-58	MW1082SI132	MSM-256	MW1282CI180D	MSM-258
M16C25T04203	MSM-59	MW1082SI160	MSM-256	MW1282CI200D	MSM-258
M16C25T05032	MSM-60	MW1082SI180	MSM-256	MW1282CN180TC	MSM-258
M16C25T06066	MSM-60	MW1082SI90	MSM-256	MW1282CN210TC	MSM-258
M16C25T07492	MSM-60	MW1082SM100	MSM-256	MW1282CN250TC	MSM-258
M16C25T10098	MSM-61	MW1082SM112	MSM-256	MW1282CN280TC	MSM-258
M16C25T15381	MSM-61	MW1082SM132	MSM-256	MW1282CN320TC	MSM-258
M16C25T19775	MSM-61	MW1082SM160	MSM-256	MW1282GH100J4	MSM-85, MSM-86, MSM-259
M16C28T00971	MSM-58	MW1082SM180	MSM-256		
M16C28T01451	MSM-58	MW1082SM90	MSM-256	MW1282GH112L4	MSM-88, MSM-89, MSM-259
M16C28T02185	MSM-58	MW1083CI100D	MSM-256		
M16C28T03183	MSM-59	MW1083CI112D	MSM-256	MW1282GH132M4	MSM-91, MSM-259
M16C28T04203	MSM-59	MW1083CI132D	MSM-256	MW1282GH132N4	MSM-94, MSM-95, MSM-259
M16C28T05032	MSM-60	MW1083CI160D	MSM-256		
M16C28T06066	MSM-60	MW1083CI80D	MSM-256	MW1282LI100D	MSM-258
M16C28T07492	MSM-60	MW1083CI90D	MSM-256	MW1282LI112D	MSM-258
M16C28T10098	MSM-61	MW1083CN140TC	MSM-256	MW1282LI132D	MSM-258
M16C28T15381	MSM-61	MW1083CN180TC	MSM-256	MW1282LI160D	MSM-258
M16C28T19775	MSM-61	MW1083CN210TC	MSM-256	MW1282LI180D	MSM-258
MW1082CI100D	MSM-256	MW1083CN250TC	MSM-256	MW1282LI200D	MSM-258
MW1082CI112D	MSM-256	MW1083GH100J4	MSM-85	MW1282LI225D	MSM-258
MW1082CI132D	MSM-256	MW1083GH112L4	MSM-88	MW1282LN180TC	MSM-258
MW1082CI160D	MSM-256	MW1083GH132M4	MSM-91	MW1282LN210TC	MSM-258
MW1082CI180D	MSM-256	MW1083GH132N4	MSM-94	MW1282LN250TC	MSM-258
MW1082CI200D	MSM-256	MW1083GH80F4	MSM-72	MW1282LN280TC	MSM-258
MW1082CI90D	MSM-256	MW1083GH80G4	MSM-75	MW1282LN320TC	MSM-258
MW1082CN140TC	MSM-256	MW1083GH90H4	MSM-79	MW1282SI100	MSM-258
MW1082CN180TC	MSM-256	MW1083GH90I4	MSM-82	MW1282SI112	MSM-258
MW1082CN210TC	MSM-256	MW1083LI100D	MSM-256	MW1282SI132	MSM-258

PART NUMBER INDEX



Part Number	Page	Part Number	Page	Part Number	Page
MW1282SI160	MSM-258	MW1482CI200D	MSM-260	MW1483LN250TC	MSM-260
MW1282SI180	MSM-258	MW1482CN210TC	MSM-260	MW1483LN280TC	MSM-260
MW1282SI225	MSM-258	MW1482CN250TC	MSM-260	MW1483LN320TC	MSM-260
MW1282SM100	MSM-258	MW1482CN280TC	MSM-260	MW1483SI100	MSM-260
MW1282SM112	MSM-258	MW1482CN320TC	MSM-260	MW1483SI112	MSM-260
MW1282SM132	MSM-258	MW1482CN360TC	MSM-260	MW1483SI132	MSM-260
MW1282SM160	MSM-258	MW1482GH132M4	MSM-92, MSM-260	MW1483SI160	MSM-260
MW1282SM180	MSM-258	MW1482GH132N4	MSM-95, MSM-96, MSM-260	MW1483SI180	MSM-260
MW1282SM225	MSM-258			MW1483SI225	MSM-260
MW1283CI100D	MSM-258	MW1482LI132D	MSM-260	MW1483SM100	MSM-260
MW1283CI112D	MSM-258	MW1482LI160D	MSM-260	MW1483SM112	MSM-260
MW1283CI132D	MSM-258	MW1482LI180D	MSM-260	MW1483SM132	MSM-260
MW1283CI160D	MSM-258	MW1482LI200D	MSM-260	MW1483SM160	MSM-260
MW1283CI180D	MSM-258	MW1482LI225D	MSM-260	MW1483SM180	MSM-260
MW1283CI200D	MSM-258	MW1482LI250D	MSM-260	MW1483SM225	MSM-260
MW1283CI90D	MSM-258	MW1482LN210TC	MSM-260	MW1682CI132D	MSM-261
MW1283CN140TC	MSM-258	MW1482LN250TC	MSM-260	MW1682CI160D	MSM-261
MW1283CN180TC	MSM-258	MW1482LN280TC	MSM-260	MW1682CI180D	MSM-261
MW1283CN210TC	MSM-258	MW1482LN320TC	MSM-260	MW1682CI200D	MSM-261
MW1283CN250TC	MSM-258	MW1482LN360TC	MSM-260	MW1682CN210TC	MSM-261
MW1283CN280TC	MSM-258	MW1482SI132	MSM-260	MW1682CN250TC	MSM-261
MW1283GH100J4	MSM-86	MW1482SI160	MSM-260	MW1682CN280TC	MSM-261
MW1283GH112L4	MSM-89	MW1482SI180	MSM-260	MW1682CN320TC	MSM-261
MW1283GH132M4	MSM-91, MSM-92	MW1482SI225	MSM-260	MW1682CN360TC	MSM-261
MW1283GH132N4	MSM-95	MW1482SI250	MSM-260	MW1682GH132M4	MSM-92, MSM-93, MSM-261
MW1283GH90H4	MSM-79	MW1482SM132	MSM-260		
MW1283GH90I4	MSM-82	MW1482SM160	MSM-260	MW1682GH132N4	MSM-96, MSM-261
MW1283LI100D	MSM-258	MW1482SM180	MSM-260	MW1682LI132D	MSM-261
MW1283LI112D	MSM-258	MW1482SM225	MSM-260	MW1682LI160D	MSM-261
MW1283LI132D	MSM-258	MW1482SM250	MSM-260	MW1682LI180D	MSM-261
MW1283LI160D	MSM-258	MW1483CI100D	MSM-260	MW1682LI200D	MSM-261
MW1283LI180D	MSM-258	MW1483CI112D	MSM-260	MW1682LI225D	MSM-261
MW1283LI200D	MSM-258	MW1483CI132D	MSM-260	MW1682LI250D	MSM-261
MW1283LI90D	MSM-258	MW1483CI160D	MSM-260	MW1682LN210TC	MSM-261
MW1283LN140TC	MSM-258	MW1483CI180D	MSM-260	MW1682LN250TC	MSM-261
MW1283LN180TC	MSM-258	MW1483CI200D	MSM-260	MW1682LN280TC	MSM-261
MW1283LN210TC	MSM-258	MW1483CN180TC	MSM-260	MW1682LN320TC	MSM-261
MW1283LN250TC	MSM-258	MW1483CN210TC	MSM-260	MW1682LN360TC	MSM-261
MW1283LN280TC	MSM-258	MW1483CN250TC	MSM-260	MW1682SI132	MSM-261
MW1283SI100	MSM-258	MW1483CN280TC	MSM-260	MW1682SI160	MSM-261
MW1283SI112	MSM-258	MW1483CN320TC	MSM-260	MW1682SI180	MSM-261
MW1283SI132	MSM-258	MW1483GH100J4	MSM-86	MW1682SI225	MSM-261
MW1283SI160	MSM-258	MW1483GH112L4	MSM-89	MW1682SI250	MSM-261
MW1283SI180	MSM-258	MW1483GH132M4	MSM-92	MW1682SM132	MSM-261
MW1283SI90	MSM-258	MW1483GH132N4	MSM-96	MW1682SM160	MSM-261
MW1283SM100	MSM-258	MW1483LI100D	MSM-260	MW1682SM180	MSM-261
MW1283SM112	MSM-258	MW1483LI112D	MSM-260	MW1682SM225	MSM-261
MW1283SM132	MSM-258	MW1483LI132D	MSM-260	MW1682SM250	MSM-261
MW1283SM160	MSM-258	MW1483LI160D	MSM-260	MW1683CI132D	MSM-261
MW1283SM180	MSM-258	MW1483LI180D	MSM-260	MW1683CI160D	MSM-261
MW1283SM90	MSM-258	MW1483LI200D	MSM-260	MW1683CI180D	MSM-261
MW1482CI132D	MSM-260	MW1483LI225D	MSM-260	MW1683CI200D	MSM-261
MW1482CI160D	MSM-260	MW1483LN180TC	MSM-260	MW1683CN210TC	MSM-261
MW1482CI180D	MSM-260	MW1483LN210TC	MSM-260	MW1683CN250TC	MSM-261

PART NUMBER INDEX



Part Number	Page	Part Number	Page	Part Number	Page
MW1683CN280TC	MSM-261	MW382SM100	MSM-250	MW482SI100	MSM-251
MW1683CN320TC	MSM-261	MW382SM71	MSM-250	MW482SI112	MSM-251
MW1683CN360TC	MSM-261	MW382SM80	MSM-250	MW482SI71	MSM-251
MW1683GH132M4	MSM-93	MW382SM90	MSM-250	MW482SI80	MSM-251
MW1683GH132N4	MSM-96, MSM-97	MW383CI71D	MSM-250	MW482SI90	MSM-251
MW1683LI132D	MSM-261	MW383CI80D	MSM-250	MW482SM100	MSM-251
MW1683LI160D	MSM-261	MW383CI90D	MSM-250	MW482SM112	MSM-251
MW1683LI180D	MSM-261	MW383CN140TC	MSM-250	MW482SM71	MSM-251
MW1683LI200D	MSM-261	MW383CN56C	MSM-250	MW482SM80	MSM-251
MW1683LI225D	MSM-261	MW383GH71C4	MSM-62, MSM-250	MW482SM90	MSM-251
MW1683LI250D	MSM-261	MW383GH71D4	MSM-64, MSM-250	MW483CI100D	MSM-251
MW1683LN210TC	MSM-261	MW383GH71E4	MSM-67, MSM-250	MW483CI71D	MSM-251
MW1683LN250TC	MSM-261	MW383GH80F4	MSM-69, MSM-70, MSM-250	MW483CI80D	MSM-251
MW1683LN280TC	MSM-261	MW383GH80G4	MSM-73, MSM-250	MW483CI90D	MSM-251
MW1683LN320TC	MSM-261	MW383GH90H4	MSM-76, MSM-250	MW483CN140TC	MSM-251
MW1683LN360TC	MSM-261	MW383GH90I4	MSM-79, MSM-250	MW483CN180TC	MSM-251
MW1683SI132	MSM-261	MW383LI80D	MSM-250	MW483CN56C	MSM-251
MW1683SI160	MSM-261	MW383LI90D	MSM-250	MW483GH100J4	MSM-251
MW1683SI180	MSM-261	MW383LN140TC	MSM-250	MW483GH71C4	MSM-62, MSM-63, MSM-251
MW1683SI225	MSM-261	MW383LN56C	MSM-250	MW483GH71D4	MSM-65, MSM-251
MW1683SI250	MSM-261	MW383SI71	MSM-250	MW483GH71E4	MSM-67, MSM-68, MSM-251
MW1683SM132	MSM-261	MW383SI80	MSM-250	MW483GH80F4	MSM-70, MSM-71, MSM-251
MW1683SM160	MSM-261	MW383SI90	MSM-250	MW483GH80G4	MSM-73, MSM-74, MSM-251
MW1683SM180	MSM-261	MW383SM71	MSM-250	MW483GH90H4	MSM-76, MSM-251
MW1683SM225	MSM-261	MW383SM80	MSM-250	MW483GH90I4	MSM-80, MSM-251
MW1683SM250	MSM-261	MW383SM90	MSM-250	MW483LI100D	MSM-251
MW382CI100D	MSM-250	MW482CI100D	MSM-251	MW483LI80D	MSM-251
MW382CI71D	MSM-250	MW482CI112D	MSM-251	MW483LI90D	MSM-251
MW382CI80D	MSM-250	MW482CI71D	MSM-251	MW483LN140TC	MSM-251
MW382CI90D	MSM-250	MW482CI80D	MSM-251	MW483LN180TC	MSM-251
MW382CN140TC	MSM-250	MW482CI90D	MSM-251	MW483LN56C	MSM-251
MW382CN180TC	MSM-250	MW482CN140TC	MSM-251	MW483SI100	MSM-251
MW382CN56C	MSM-250	MW482CN180TC	MSM-251	MW483SI71	MSM-251
MW382GH100J4	MSM-83, MSM-250	MW482CN56C	MSM-251	MW483SI80	MSM-251
MW382GH71C4	MSM-62, MSM-250	MW482GH100J4	MSM-83, MSM-251	MW483SI90	MSM-251
MW382GH71D4	MSM-63, MSM-64, MSM-250	MW482GH112L4	MSM-86, MSM-87, MSM-251	MW483SM100	MSM-251
MW382GH71E4	MSM-66, MSM-67, MSM-250	MW482GH71C4	MSM-62, MSM-251	MW483SM71	MSM-251
MW382GH80F4	MSM-69, MSM-250	MW482GH71D4	MSM-64, MSM-65, MSM-251	MW483SM80	MSM-251
MW382GH80G4	MSM-72, MSM-73, MSM-250	MW482GH71E4	MSM-67, MSM-251	MW483SM90	MSM-251
MW382GH90H4	MSM-75, MSM-76, MSM-250	MW482GH80F4	MSM-70, MSM-251	MW682CI100D	MSM-252
MW382GH90I4	MSM-79, MSM-250	MW482GH80G4	MSM-73, MSM-251	MW682CI112D	MSM-252
MW382LI100D	MSM-250	MW482GH90H4	MSM-76, MSM-251	MW682CI132D	MSM-252
MW382LI80D	MSM-250	MW482GH90I4	MSM-79, MSM-80, MSM-251	MW682CI71D	MSM-252
MW382LI90D	MSM-250	MW482LI100D	MSM-251	MW682CI80D	MSM-252
MW382LN140TC	MSM-250	MW482LI112D	MSM-251	MW682CI90D	MSM-252
MW382LN56C	MSM-250	MW482LI80D	MSM-251	MW682CN140TC	MSM-252
MW382SI100	MSM-250	MW482LI90D	MSM-251	MW682CN180TC	MSM-252
MW382SI71	MSM-250	MW482LN140TC	MSM-251	MW682CN210TC	MSM-252
MW382SI80	MSM-250	MW482LN180TC	MSM-251	MW682CN56C	MSM-252
MW382SI90	MSM-250	MW482LN56C	MSM-251		

PART NUMBER INDEX



Part Number	Page	Part Number	Page	Part Number	Page
MW682GH100J4	MSM-83, MSM-84, MSM-252	MW683LI100D	MSM-252	MW883CI80D	MSM-254
MW682GH112L4	MSM-87, MSM-252	MW683LI80D	MSM-252	MW883CI90D	MSM-254
MW682GH132M4	MSM-89, MSM-90, MSM-252	MW683LI90D	MSM-252	MW883CN140TC	MSM-254
MW682GH132N4	MSM-93, MSM-252	MW683LN140TC	MSM-252	MW883CN180TC	MSM-254
MW682GH71C4	MSM-63, MSM-252	MW683LN180TC	MSM-252	MW883CN210TC	MSM-254
MW682GH71D4	MSM-65, MSM-252	MW683LN56C	MSM-252	MW883CN56C	MSM-254
MW682GH71E4	MSM-68, MSM-252	MW683SI100	MSM-252	MW883GH100J4	MSM-84, MSM-85, MSM-255
MW682GH80F4	MSM-71, MSM-252	MW683SI71	MSM-252	MW883GH112L4	MSM-87, MSM-88, MSM-255
MW682GH80G4	MSM-74, MSM-252	MW683SI80	MSM-252	MW883GH132M4	MSM-90, MSM-255
MW682GH90H4	MSM-76, MSM-77, MSM-252	MW683SI90	MSM-252	MW883GH132N4	MSM-94
MW682GH90I4	MSM-80, MSM-81, MSM-252	MW683SM100	MSM-252	MW883GH71C4	MSM-63, MSM-254
MW682LI100D	MSM-252	MW683SM71	MSM-252	MW883GH71D4	MSM-66, MSM-255
MW682LI112D	MSM-252	MW683SM80	MSM-252	MW883GH71E4	MSM-69, MSM-255
MW682LI132D	MSM-252	MW683SM90	MSM-252	MW883GH80F4	MSM-71, MSM-72, MSM-255
MW682LI80D	MSM-252	MW882CI100D	MSM-254	MW883GH80G4	MSM-75, MSM-255
MW682LI90D	MSM-252	MW882CI112D	MSM-254	MW883GH90H4	MSM-78, MSM-255
MW682LN140TC	MSM-252	MW882CI132D	MSM-254	MW883GH90I4	MSM-81, MSM-82, MSM-255
MW682LN180TC	MSM-252	MW882CI160D	MSM-254	MW883LI100D	MSM-254
MW682LN210TC	MSM-252	MW882CI90D	MSM-254	MW883LI112D	MSM-254
MW682LN56C	MSM-252	MW882CN140TC	MSM-254	MW883LI132D	MSM-254
MW682SI100	MSM-252	MW882CN180TC	MSM-254	MW883LI80D	MSM-254
MW682SI112	MSM-252	MW882CN210TC	MSM-254	MW883LI90D	MSM-254
MW682SI132	MSM-252	MW882CN250TC	MSM-254	MW883LN140TC	MSM-254
MW682SI71	MSM-252	MW882GH100J4	MSM-84, MSM-254	MW883LN180TC	MSM-254
MW682SI80	MSM-252	MW882GH112L4	MSM-87, MSM-254	MW883LN210TC	MSM-254
MW682SI90	MSM-252	MW882GH132M4	MSM-90, MSM-254	MW883LN56C	MSM-254
MW682SM100	MSM-252	MW882GH132N4	MSM-93, MSM-94, MSM-254	MW883SI100	MSM-254
MW682SM112	MSM-252	MW882GH90H4	MSM-77, MSM-78, MSM-254	MW883SI112	MSM-254
MW682SM132	MSM-252	MW882GH90I4	MSM-81, MSM-254	MW883SI132	MSM-254
MW682SM71	MSM-252	MW882LI100D	MSM-254	MW883SI71	MSM-254
MW682SM80	MSM-252	MW882LI112D	MSM-254	MW883SI80	MSM-254
MW682SM90	MSM-252	MW882LI132D	MSM-254	MW883SI90	MSM-254
MW683CI100D	MSM-252	MW882LI160D	MSM-254	MW883SM100	MSM-254
MW683CI71D	MSM-252	MW882LI90D	MSM-254	MW883SM112	MSM-254
MW683CI80D	MSM-252	MW882LN140TC	MSM-254	MW883SM132	MSM-254
MW683CI90D	MSM-252	MW882LN180TC	MSM-254	MW883SM71	MSM-254
MW683CN140TC	MSM-252	MW882LN210TC	MSM-254	MW883SM80	MSM-254
MW683CN180TC	MSM-252	MW882LN250TC	MSM-254	MW883SM90	MSM-254
MW683CN56C	MSM-252	MW882SI100	MSM-254	VEM3538	ENG-18, QG-24
MW683GH100J4	MSM-84, MSM-253	MW882SI112	MSM-254	VEM3542	ENG-18, QG-24
MW683GH71C4	MSM-63, MSM-252	MW882SI132	MSM-254	VEM3546	ENG-18, QG-24
MW683GH71D4	MSM-65, MSM-66, MSM-253	MW882SI90	MSM-254	VEM3554T	ENG-18, QG-24
MW683GH71E4	MSM-68, MSM-69, MSM-253	MW882SM100	MSM-254	VEM3558T	ENG-18, QG-24
MW683GH80F4	MSM-71, MSM-253	MW882SM112	MSM-254	VEM3611T	ENG-18, QG-24
MW683GH80G4	MSM-74, MSM-75, MSM-253	MW882SM132	MSM-254	VEM3615T	ENG-18, QG-24
MW683GH90H4	MSM-77, MSM-253	MW882SM160	MSM-254	VEM3770T	ENG-18, QG-24
MW683GH90I4	MSM-81, MSM-253	MW882SM90	MSM-254	VEM3774T	ENG-18, QG-24
		MW883CI100D	MSM-254		
		MW883CI112D	MSM-254		
		MW883CI132D	MSM-254		
		MW883CI171D	MSM-254		

FOOTNOTES

A	Contact Engineering
B	OHL is for standard solid shaft diameters. Reference pages ILH-11, RHB-16 and MSM-14 for optional shaft diameters and hollow shafts. OHL's are applied at one shaft diameter from the shaft shoulder. OHL is calculated for the maximum reducer rating. Larger OHL's may be applied under certain conditions and are subject to application engineering review.
C	Thermal ratings are shown on pages ILH-335, RHB-364 and MSM-242
G	Separate groups 71-112 have four (4) drilled and tapped holes offset from the horizontal/vertical axes by 45 degrees. Separate groups 132-180 have four (4) drilled and tapped holes on the vertical and horizontal axes.
J	Riser Block required
L	All weights shown are without oil. Reference pages ILH-7, RHB-11 and MSM-10 for quantities. The standard factory fill has a density of 7.51 lb/gal (0.8999 kg/liter)
†	Ambient temperatures listed are for lubricant only and do not indicate a particular gear unit's suitability to run in that ambient. Recommendations will be made based on specific application details.

For Additional information about DODGE Bearing Products,
DODGE Gearing Products or DODGE PT Components:

> contact your local authorized DODGE Distributor

> contact us at **864.297.4800**

> visit us on the web at

www.dodge-pt.com

www.PTplace.com



World Headquarters

P.O. Box 2400, Fort Smith, AR 72902-2400 U.S.A., Ph: (1) 479.646.4711, Fax (1) 479.648.5792, International Fax (1) 479.648.5895

Baldor - Dodge

6040 Ponders Court, Greenville, SC 29615-4617 U.S.A., Ph: (1) 864.297.4800, Fax: (1) 864.281.2433

www.baldor.com